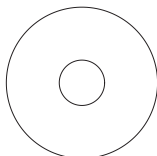


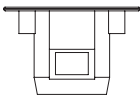
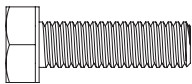
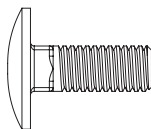
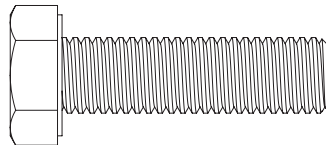
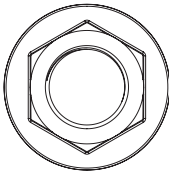
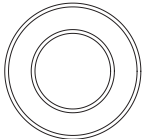

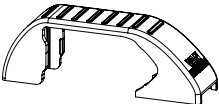
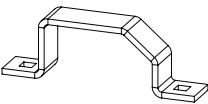
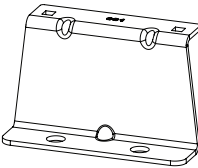
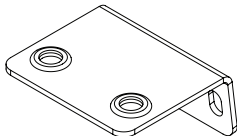


IN8036

ULTI Bars - X3

<p>FX4014 X12 (RUBBER)</p> 	<p>FX4016 X12 (M6)</p> 	<p>FX4017 X12 (M6)</p> 	<p>FX4025 X12</p> 	<p>FX4026 X12 (M6X20)</p> 	<p>FX4042 X12 (M6X16)</p> 	<p>FX4069 X12 (M10X35)</p> 
<p>FX4092 X12 (M10)</p> 	<p>FX4099 X12 (M10)</p> 	<p>MA6021 X6</p> 	<p>MA6065 X6</p> 	<p>ME0203 X6</p> 	<p>ME0681 X6</p> 	<p>ME0682 X6</p> 

TOOLS REQUIRED

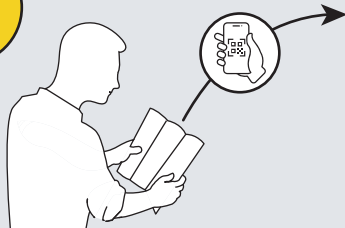
10MM X 1



14MM X 1



17MM X 1

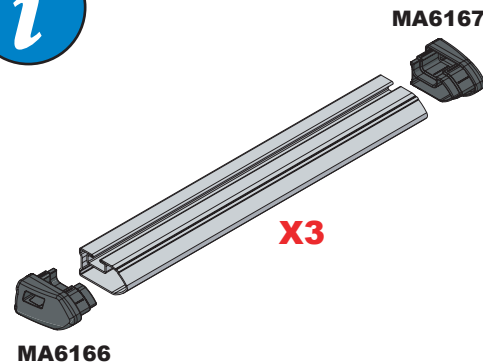


EN - SAFETY AND PRODUCT INFORMATION
 DE - SICHERHEITS- UND PRODUKTINFORMATIONEN
 FR - INFORMATIONS DE SÉCURITÉ ET DU PRODUIT
 NL - VEILIGHEIDS- EN PRODUCTINFORMATIE
 ES - INFORMACIÓN DE SEGURIDAD Y DEL PRODUCTO
 IT - INFORMAZIONI SULLA SICUREZZA E SUL PRODOTTO

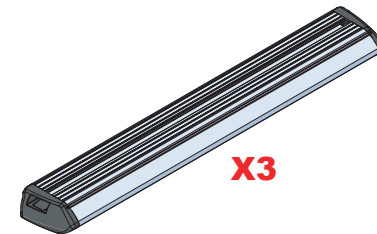
SV - SÄKERHETS- OCH PRODUKTINFORMATION
 DA - SIKKERHEDS- OG PRODUKTINFORMATION
 NO - SIKKERHETS- OG PRODUKTINFORMASJON
 PL - INFORMACJE O BEZPIECZENSTWIE I PRODUKCIE
 CS - INFORMACE O BEZPEČNOSTI A PRODUKTU



Customercare@van-guard.co.uk
UK +44 (0) 1392 368 351



ULTI Bar Trade
(Steel)



ULTI Bar+
(Aluminium)

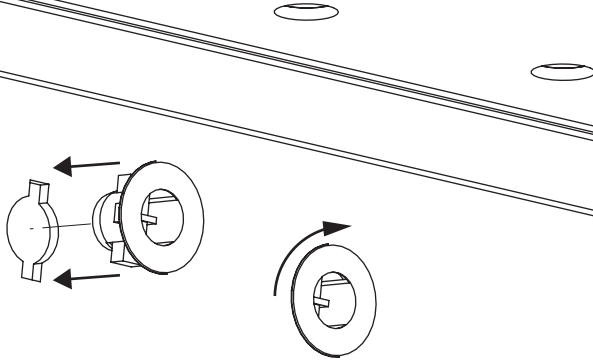
This FITTING INSTRUCTION is the property of VAN GUARD ACCESSORIES LTD. and must not be used for manufacturing purposes, copied nor communicated in any way to third parties without written permission from VAN GUARD ACCESSORIES LTD.

IN8036_E (CN:00183)

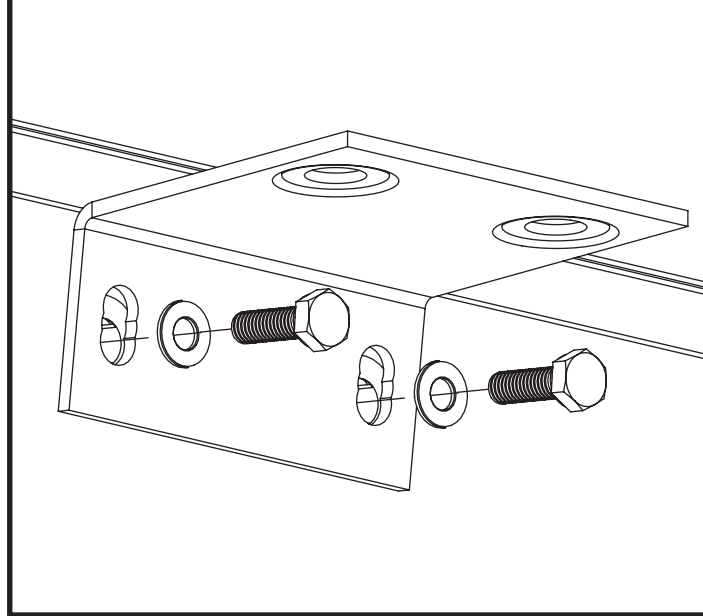
Van Guard Accessories Ltd
 Fair Oak Close, Exeter Airport Business Park,
 Exeter, Devon, EX5 2UL
www.van-guard.co.uk

1 Insert the M6 1/4 turn nut inserts as shown below inside the vehicle, below the fixing points you wish to use.

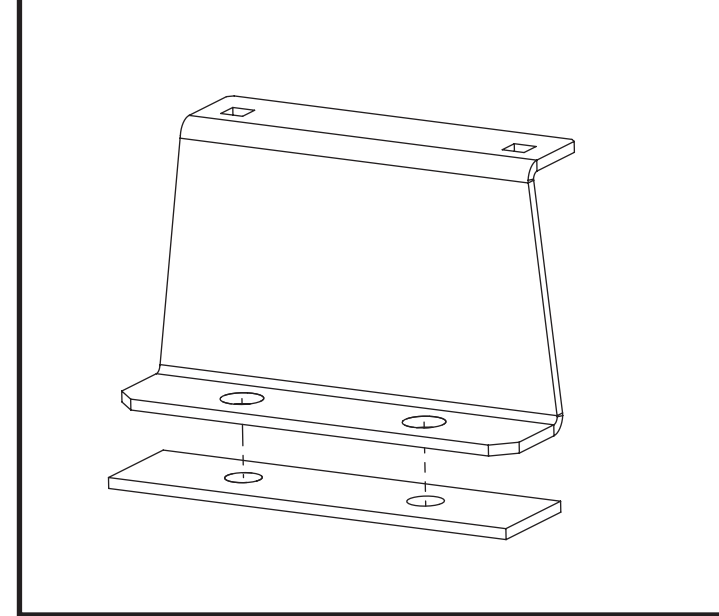
INSIDE VEHICLE



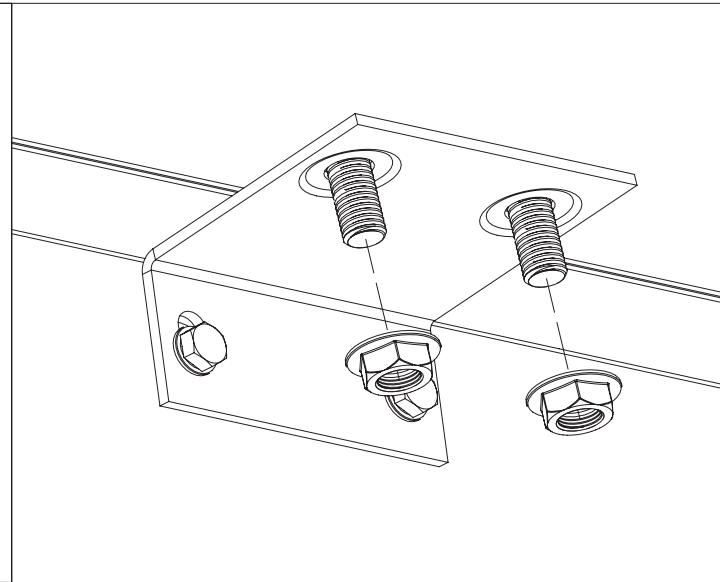
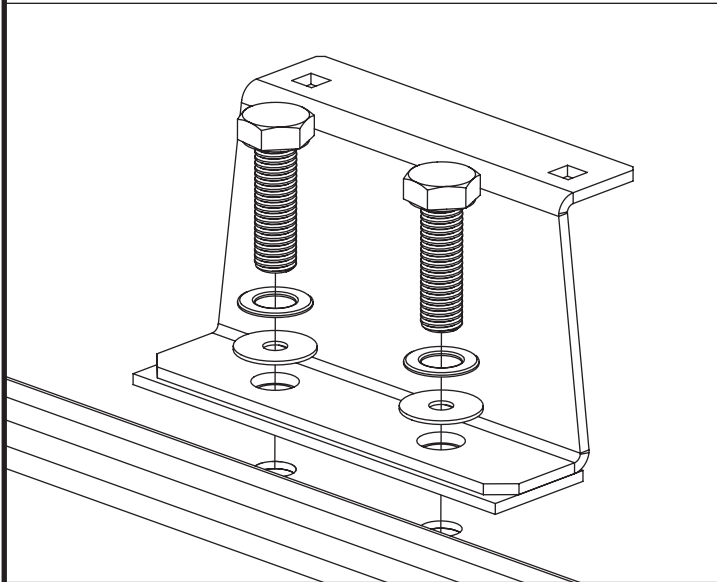
2 Secure the inner fixing brackets to the inside of the vehicle by bolting into the M6 1/4 turn nut inserts using M6x20 hex bolts and M6 washers. Tighten to 11Nm.



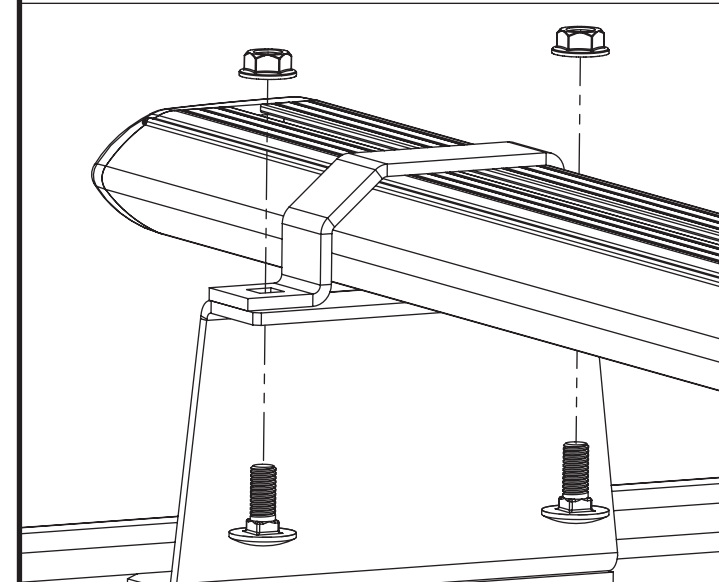
3 Stick rubber pads to the underside of all roof brackets.



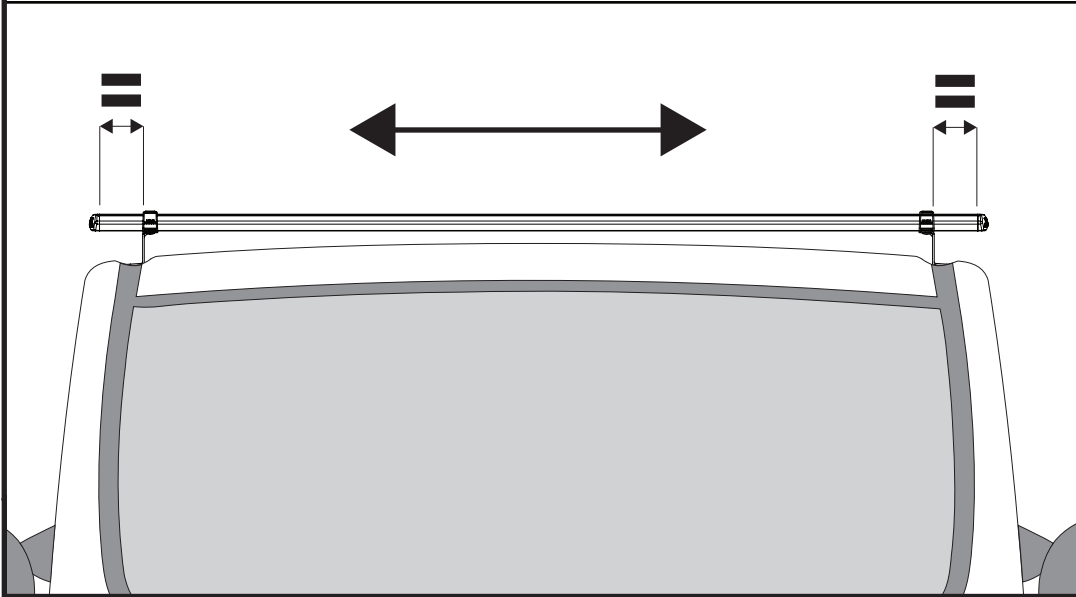
4 Remove roof plugs to reveal the vehicles fixing points. Secure roof brackets by bolting through the fixing points using M10x35 hex bolts, M10 washers & rubber washers, secure under the roof using M10 serrated nuts. Ensure that the top hat flange is facing inwards. Tighten to 15Nm.



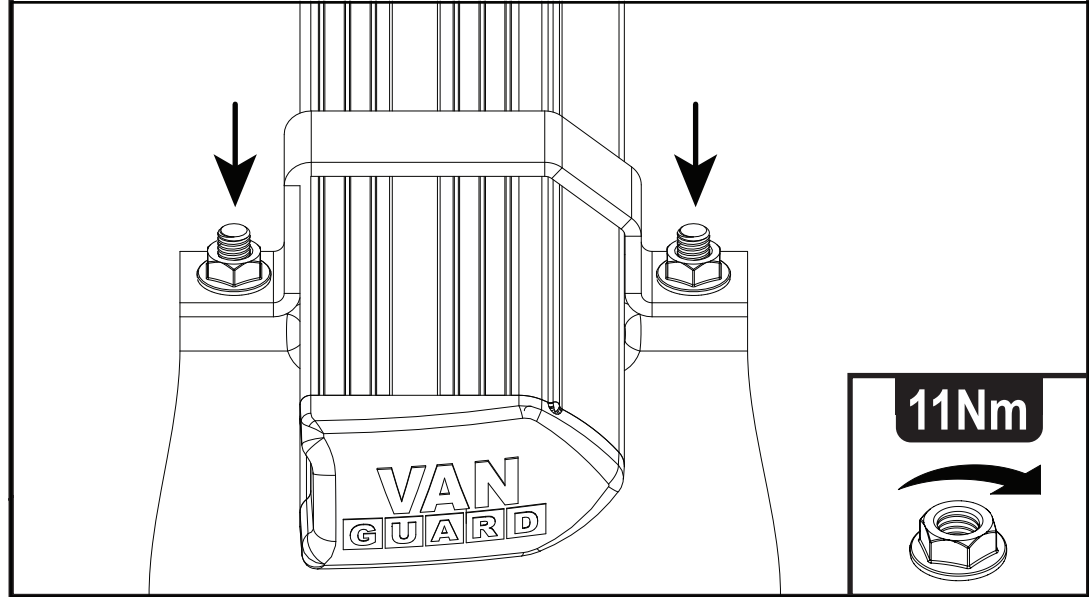
5 Place roof bars onto the roof brackets with the t-slot facing upwards and loosely secure using top hat brackets, M6x16 coach bolts & M6 serrated nuts.



6 Adjust the roof bars to ensure that they are evenly spaced on the vehicle.

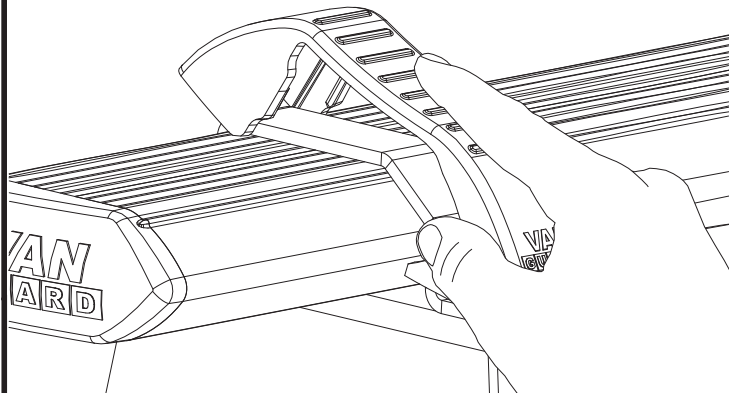


7 Tighten the roof bar fixings to 11Nm.

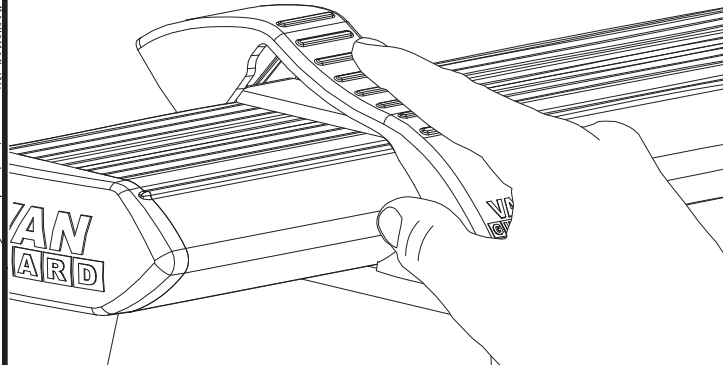


8

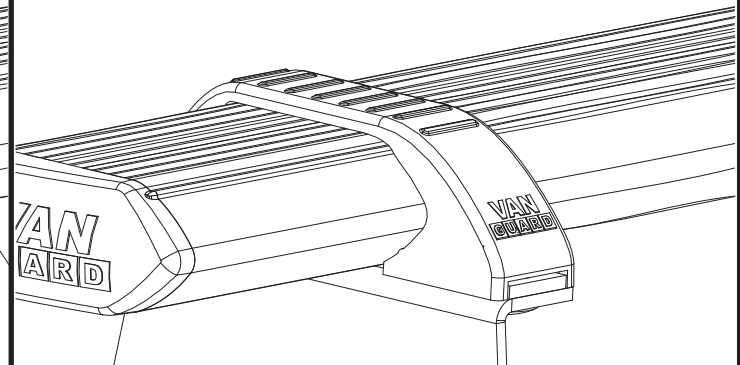
1.

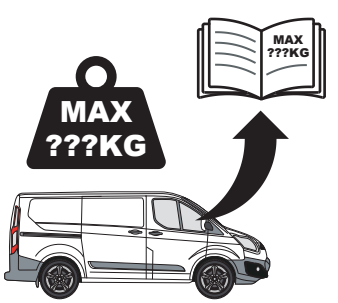


2.



3.





ULTI Bar Trade
(Steel)

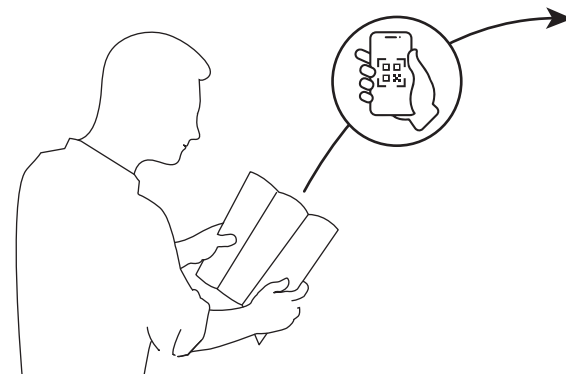
MAX 60KG

X1

ULTI Bar+
(Aluminium)

MAX 80KG

X1



EN - SAFETY AND PRODUCT INFORMATION
DE - SICHERHEITS- UND PRODUKTINFORMATIONEN
FR - INFORMATIONS DE SÉCURITÉ ET DU PRODUIT
NL - VEILIGHEIDS- EN PRODUCTINFORMATIE
ES - INFORMACIÓN DE SEGURIDAD Y DEL PRODUCTO
IT - INFORMAZIONI SULLA SICUREZZA E SUL PRODOTTO

SV - SÄKERHETS- OCH PRODUKTINFORMATION
DA - SIKKERHEDS- OG PRODUKTINFORMATION
NO - SIKKERHETS- OG PRODUKTINFORMASJON
PL - INFORMACJE O BEZPIECZENSTWIE I PRODUKCIE
CS - INFORMACE O BEZPEČNOSTI A PRODUKTU