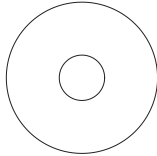
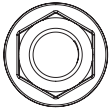
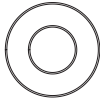
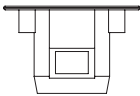
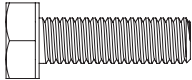
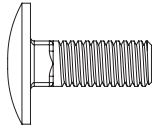
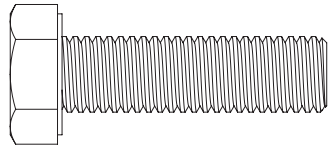
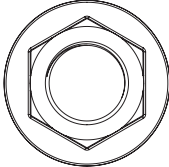
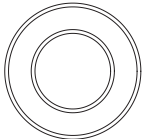

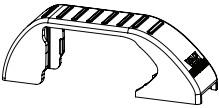
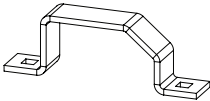
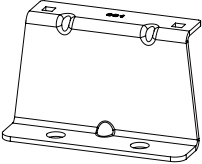
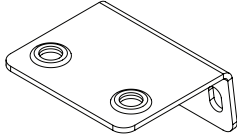


IN8037

ULTI Bars - X4



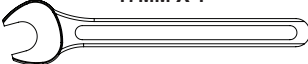
<p>FX4014 X16 (RUBBER)</p> 	<p>FX4016 X16 (M6)</p> 	<p>FX4017 X16 (M6)</p> 	<p>FX4025 X16</p> 	<p>FX4026 X16 (M6X20)</p> 	<p>FX4042 X16 (M6X16)</p> 	<p>FX4069 X16 (M10X35)</p> 
<p>FX4092 X16 (M10)</p> 	<p>FX4099 X16 (M10)</p> 	<p>MA6021 X8</p> 	<p>MA6065 X8</p> 	<p>ME0203 X8</p> 	<p>ME0681 X8</p> 	<p>ME0682 X8</p> 

TOOLS REQUIRED


10MM X 1

14MM X 1

17MM X 1

!



EN - SAFETY AND PRODUCT INFORMATION
 DE - SICHERHEITS- UND PRODUKTINFORMATIONEN
 FR - INFORMATIONS DE SÉCURITÉ ET DU PRODUIT
 NL - VEILIGHEIDS- EN PRODUCTINFORMATIE
 ES - INFORMACIÓN DE SEGURIDAD Y DEL PRODUCTO
 IT - INFORMAZIONI SULLA SICUREZZA E SUL PRODOTTO

SV - SÄKERHETS- OCH PRODUKTINFORMATION
 DA - SIKKERHEDS- OG PRODUKTINFORMATION
 NO - SIKKERHETS- OG PRODUKTINFORMASJON
 PL - INFORMACJE O BEZPIECZENSTWIE I PRODUKCIE
 CS - INFORMACE O BEZPEČNOSTI A PRODUKTU

?

Customercare@van-guard.co.uk
 UK +44 (0) 1392 368 351

i

MA6167

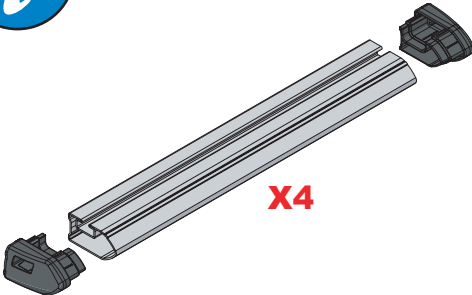
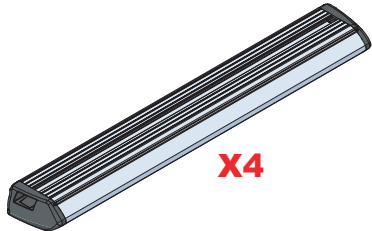
X4

MA6166

ULTI Bar Trade
(Steel)

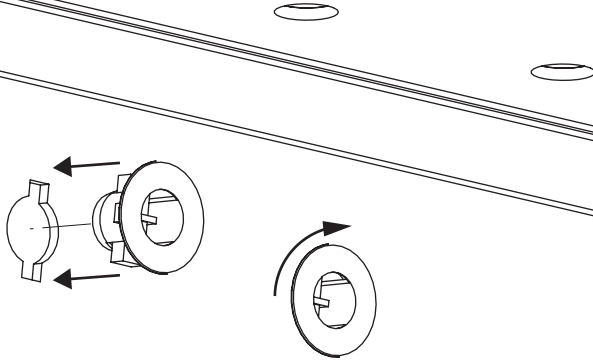
X4

ULTI Bar+
(Aluminium)

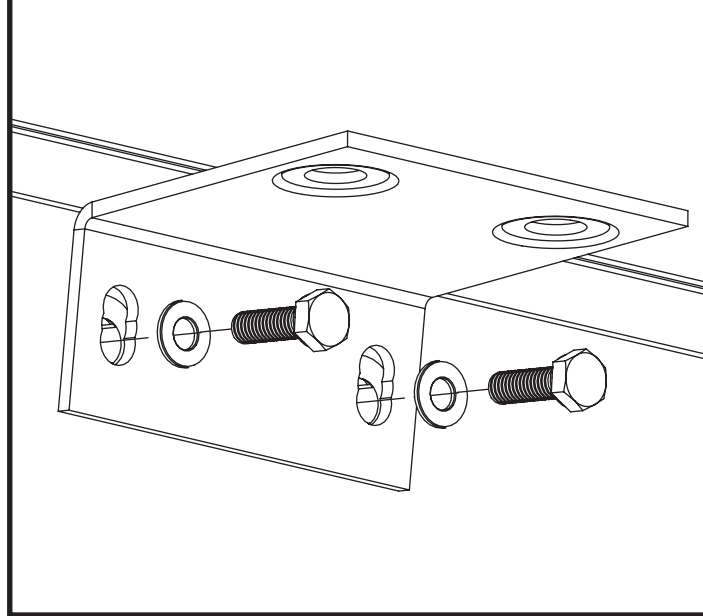



1 Insert the M6 1/4 turn nut inserts as shown below inside the vehicle, below the fixing points you wish to use.

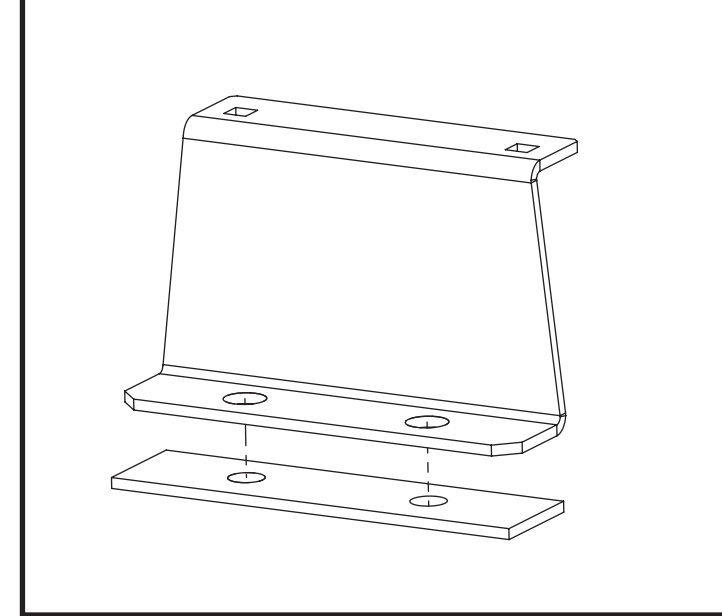
INSIDE VEHICLE



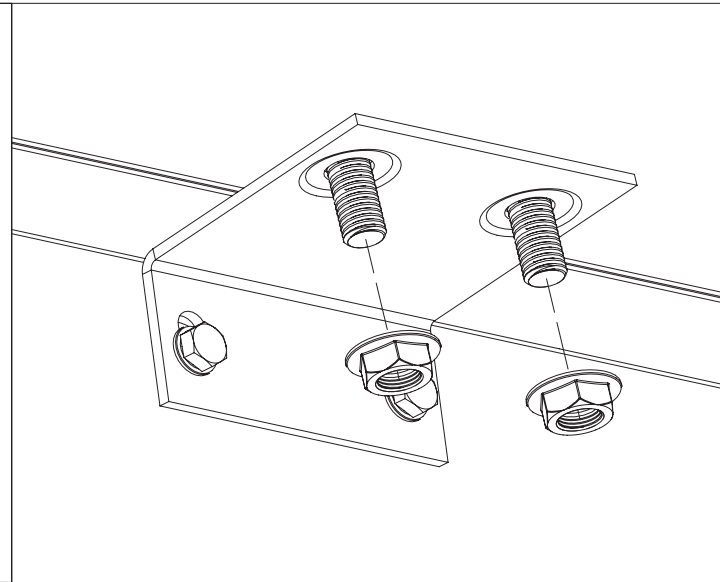
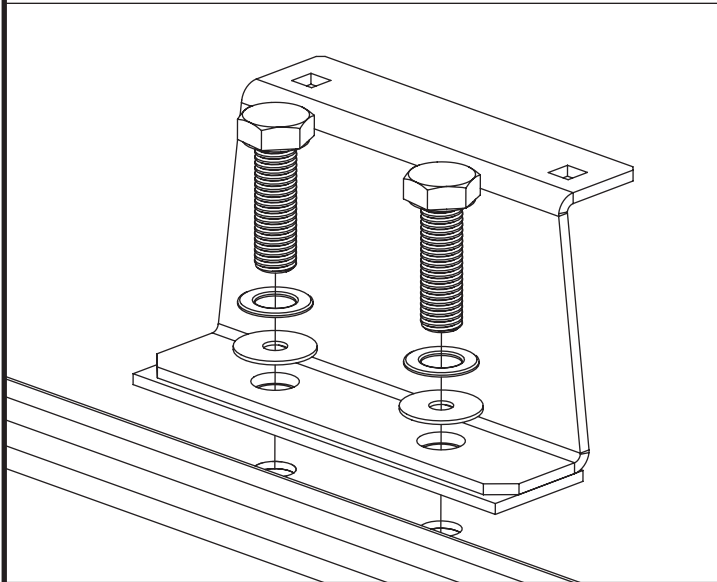
2 Secure the inner fixing brackets to the inside of the vehicle by bolting into the M6 1/4 turn nut inserts using M6x20 hex bolts and M6 washers. Tighten to 11Nm.



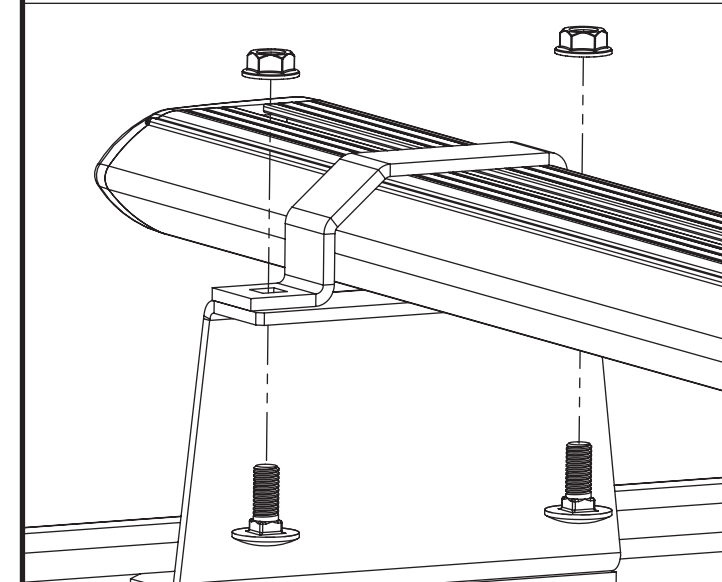
3 Stick rubber pads to the underside of all roof brackets.



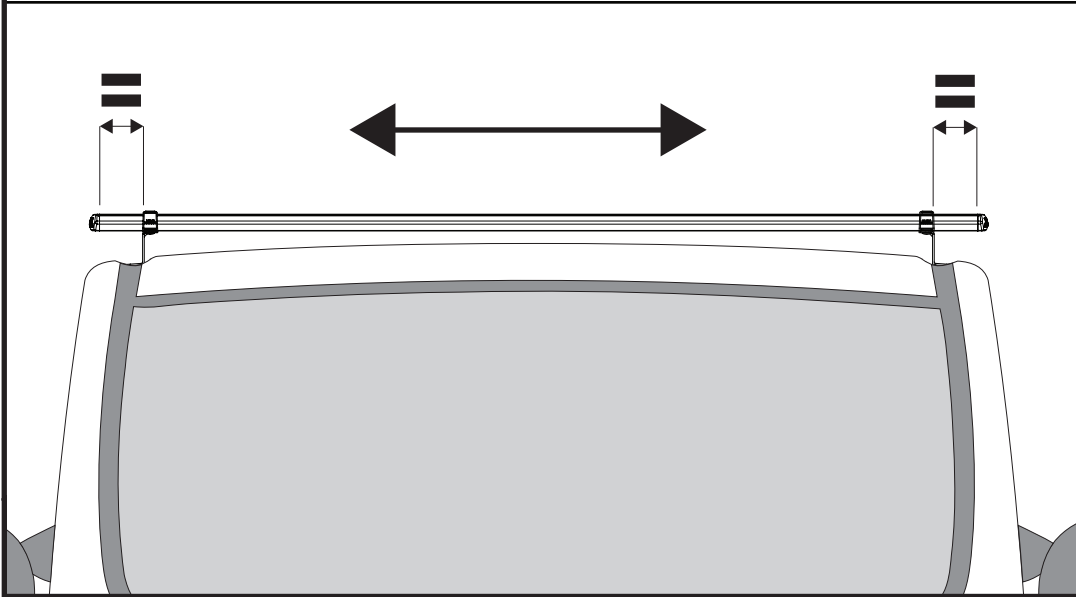
4 Remove roof plugs to reveal the vehicles fixing points. Secure roof brackets by bolting through the fixing points using M10x35 hex bolts, M10 washers & rubber washers, secure under the roof using M10 serrated nuts. Ensure that the top hat flange is facing inwards. Tighten to 15Nm.



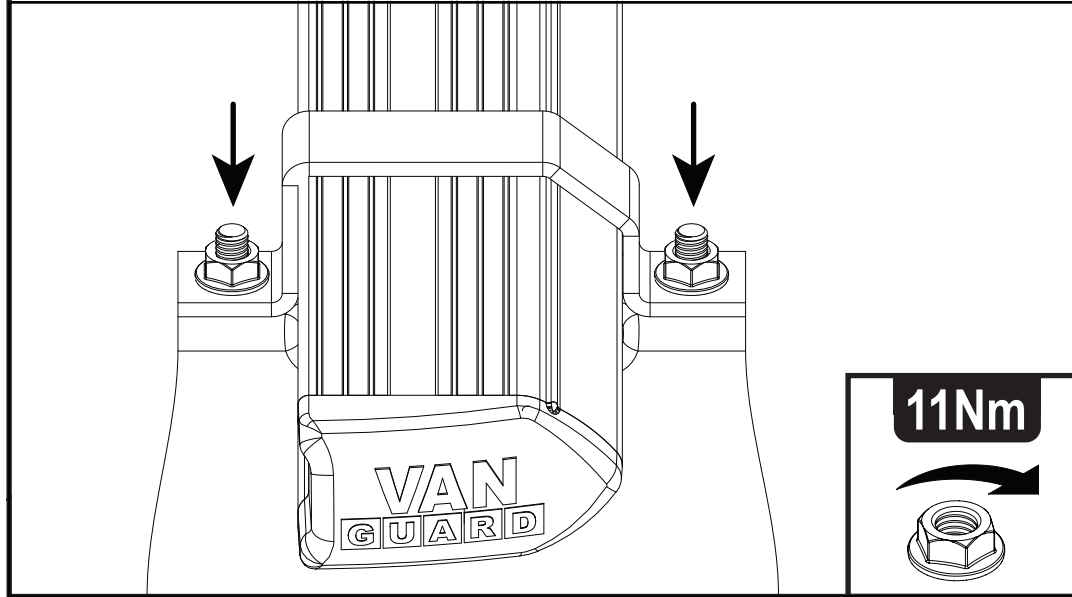
5 Place roof bars onto the roof brackets with the t-slot facing upwards and loosely secure using top hat brackets, M6x16 coach bolts & M6 serrated nuts.



6 Adjust the roof bars to ensure that they are evenly spaced on the vehicle.

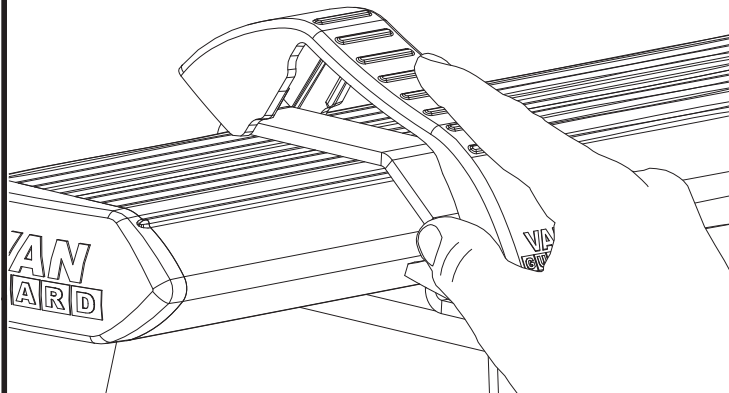


7 Tighten the roof bar fixings to 11Nm.

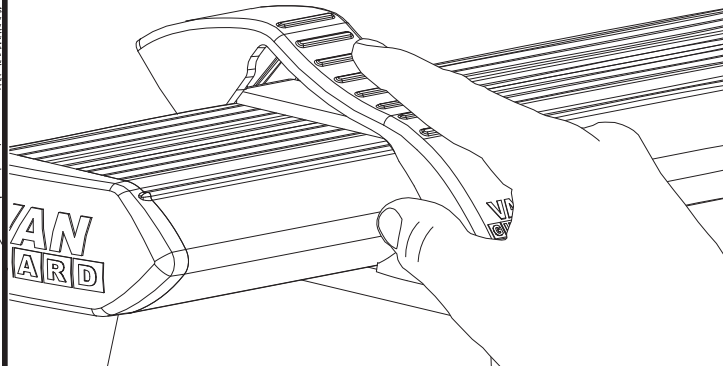


8

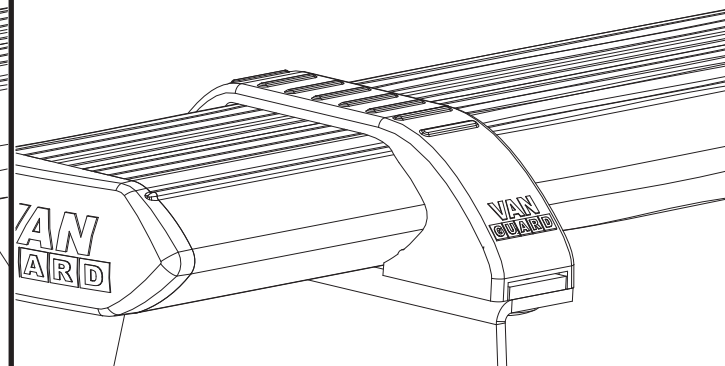
1.

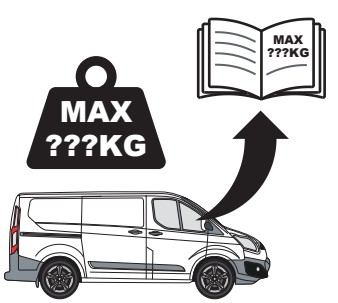


2.



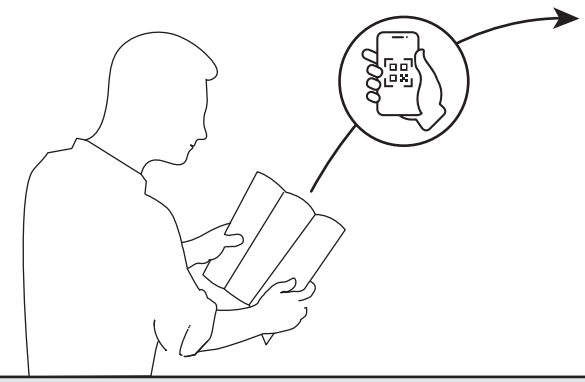
3.





**MAX
???KG**

ULTI Bar Trade <small>(Steel)</small>	ULTI Bar+ <small>(Aluminium)</small>
 X1	 X1



<p>EN - SAFETY AND PRODUCT INFORMATION DE - SICHERHEITS- UND PRODUKTINFORMATIONEN FR - INFORMATIONS DE SÉCURITÉ ET DU PRODUIT NL - VEILIGHEIDS- EN PRODUCTINFORMATIE ES - INFORMACIÓN DE SEGURIDAD Y DEL PRODUCTO IT - INFORMAZIONI SULLA SICUREZZA E SUL PRODOTTO</p>	<p>SV - SÄKERHETS- OCH PRODUKTINFORMATION DA - SIKKERHEDS- OG PRODUKTINFORMATION NO - SIKKERHETS- OG PRODUKTINFORMASJON PL - INFORMACJE O BEZPIECZENSTWIE I PRODUKCIE CS - INFORMACE O BEZPEČNOSTI A PRODUKTU</p>
---	--