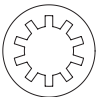
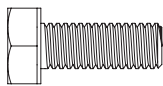


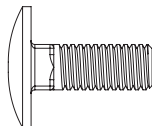
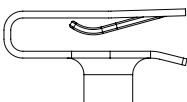
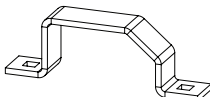
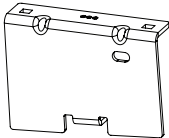
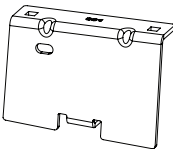
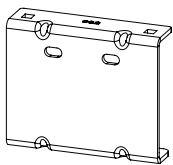


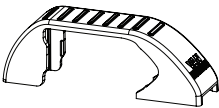


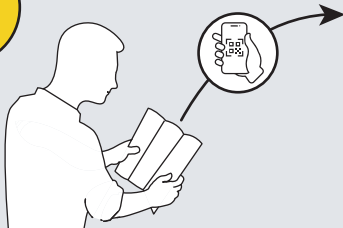
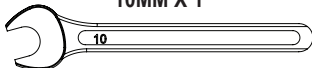
IN8040

ULTI Bars - X3

FX4010 X10 (M6) 	FX4012 X10 (M6X16) 	FX4016 X20 (M6) 	FX4017 X10 (M6) 	FX4042 X20 (M6X16) 	FX4126 X10 	ME0203 X6 	ME0690 X1 
ME0691 X1 	ME0692 X4 	182-SWB-3 = ME0356 X2 182-LWB-3 = ME0357 X2 		ME0358 X2 		MA6065 X6 	

TOOLS REQUIRED

10MM X 1

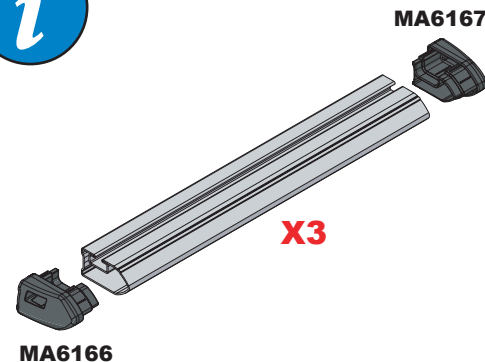


EN - SAFETY AND PRODUCT INFORMATION
 DE - SICHERHEITS- UND PRODUKTINFORMATIONEN
 FR - INFORMATIONS DE SÉCURITÉ ET DU PRODUIT
 NL - VEILIGHEIDS- EN PRODUCTINFORMATIE
 ES - INFORMACIÓN DE SEGURIDAD Y DEL PRODUCTO
 IT - INFORMAZIONI SULLA SICUREZZA E SUL PRODOTTO

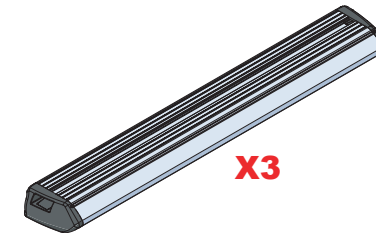
SV - SÄKERHETS- OCH PRODUKTINFORMATION
 DA - SIKKERHEDS- OG PRODUKTINFORMATION
 NO - SIKKERHETS- OG PRODUKTINFORMASJON
 PL - INFORMACJE O BEZPIECZENSTWIE I PRODUKCIE
 CS - INFORMACE O BEZPEČNOSTI A PRODUKTU



Customercare@van-guard.co.uk
UK +44 (0) 1392 368 351



ULTI Bar Trade
(Steel)



ULTI Bar+
(Aluminium)

This FITTING INSTRUCTION is the property of VAN GUARD ACCESSORIES LTD. and must not be used for manufacturing purposes, copied nor communicated in any way to third parties without written permission from VAN GUARD ACCESSORIES LTD.

IN8040_F (CN:00183)

Van Guard Accessories Ltd
 Fair Oak Close, Exeter Airport Business Park,
 Exeter, Devon, EX5 2UL
www.van-guard.co.uk

182-SWB-3

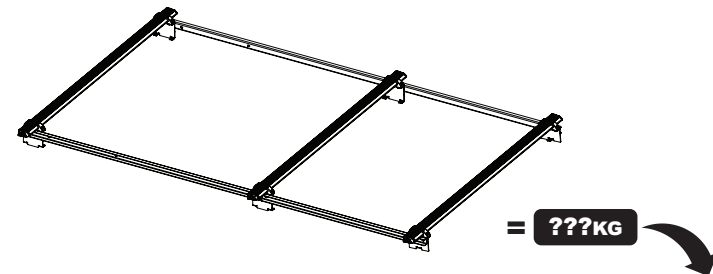
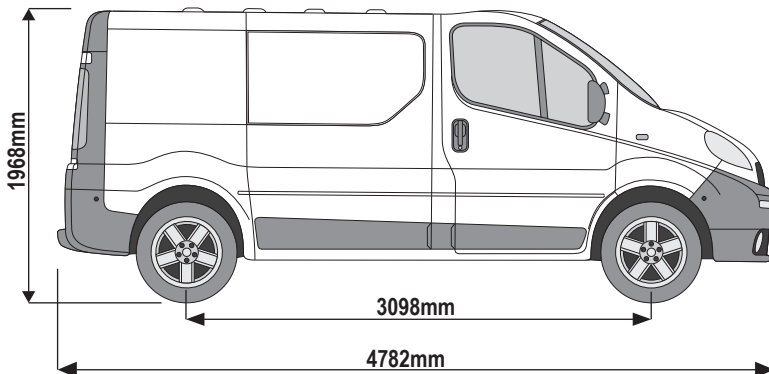
Vehicle:

Vauxhall Vivaro: 2001 - 2014
 Renault Trafic: 2001 - 2014
 Nissan Primastar: 2002 - 2014

Wheel Base: SWB (L1)

Roof Height: Low (H1)

Rear Doors: Twin / Tailgate



ULTI Bar Trade (Steel) = 19.6KG

ULTI Bar+ (Aluminium) = 15KG

182-LWB-3

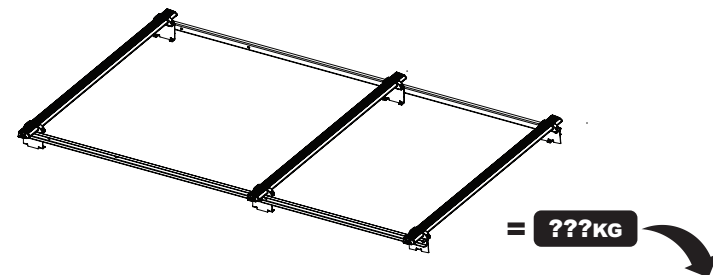
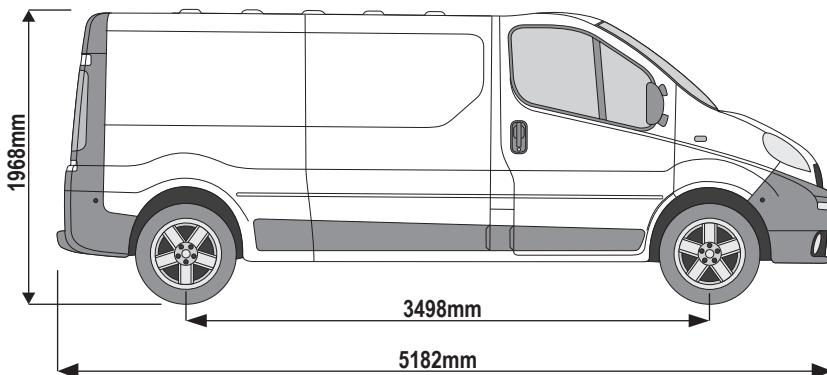
Vehicle:

Vauxhall Vivaro: 2001 - 2014
 Renault Trafic: 2001 - 2014
 Nissan Primastar: 2002 - 2014

Wheel Base: LWB (L2)

Roof Height: Low (H1)

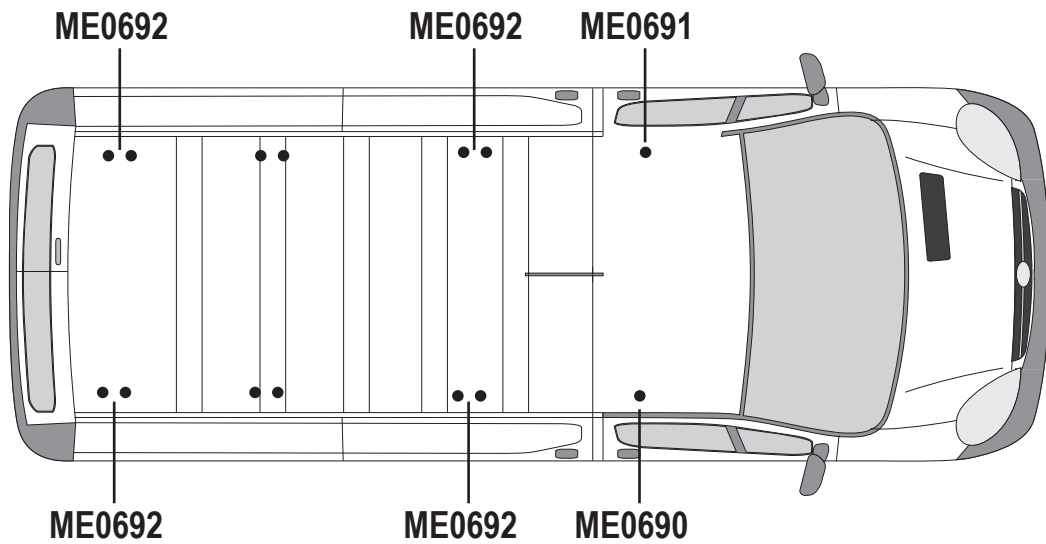
Rear Doors: Twin / Tailgate



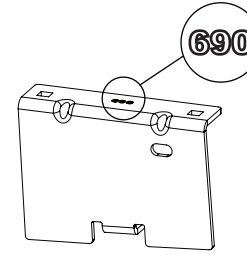
ULTI Bar Trade (Steel) = 20.8KG

ULTI Bar+ (Aluminium) = 16.2KG

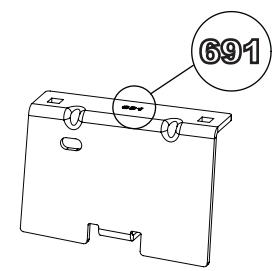
1



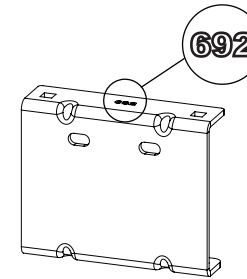
ME0690



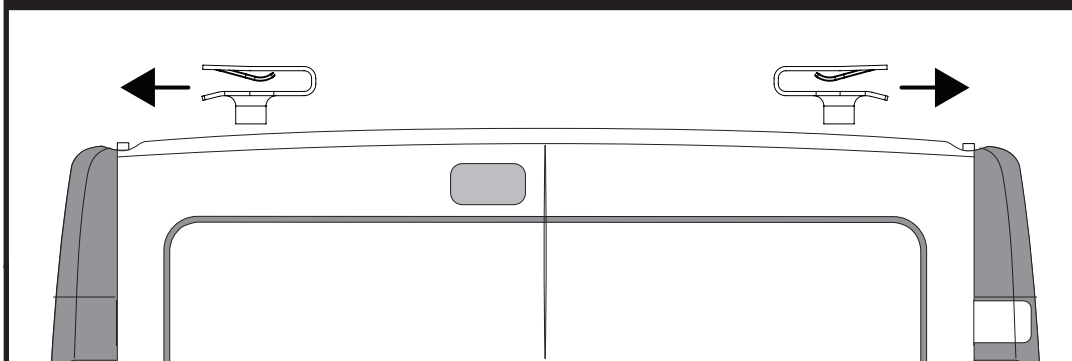
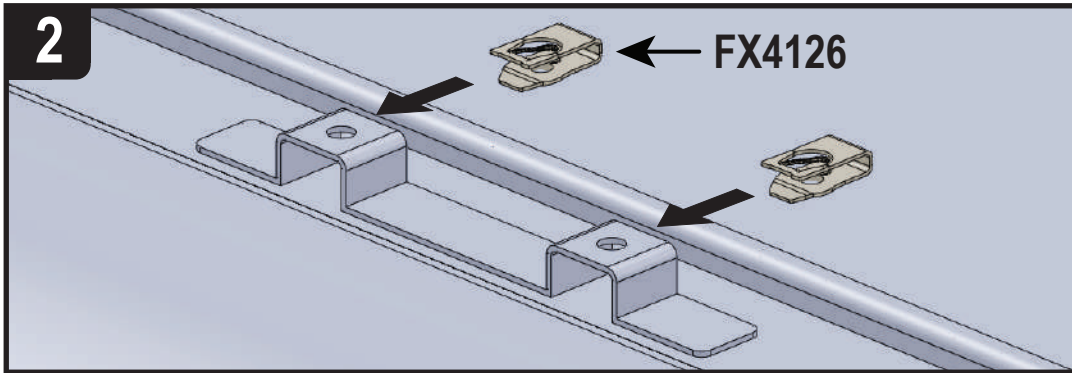
ME0691



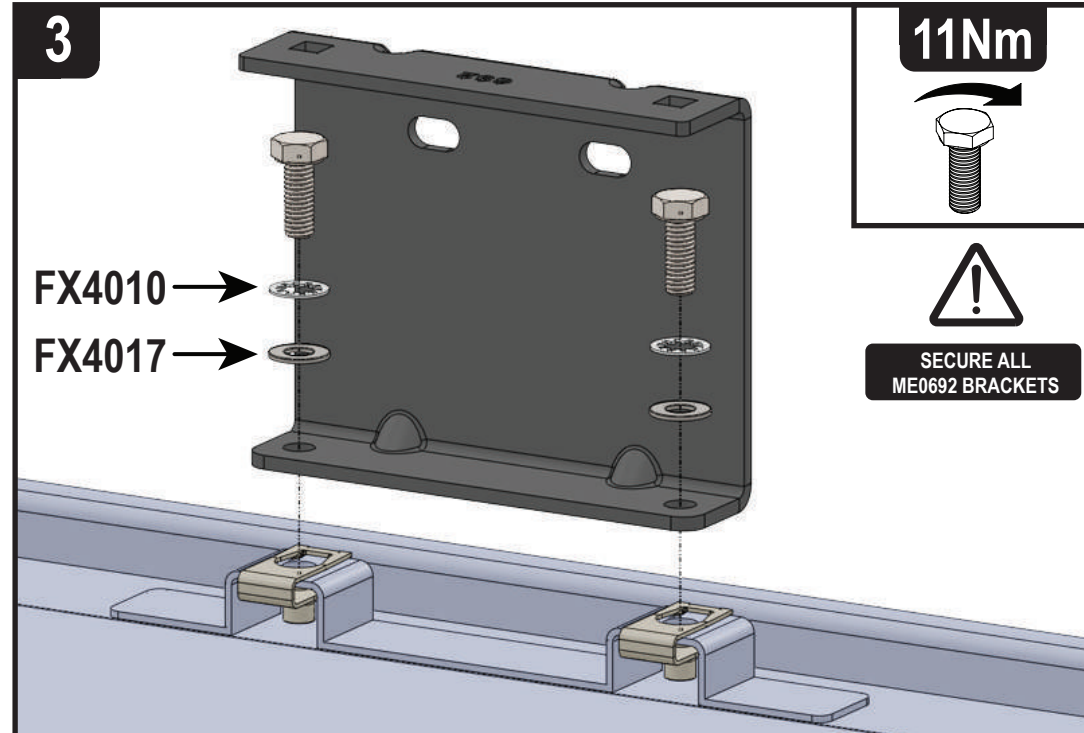
ME0692



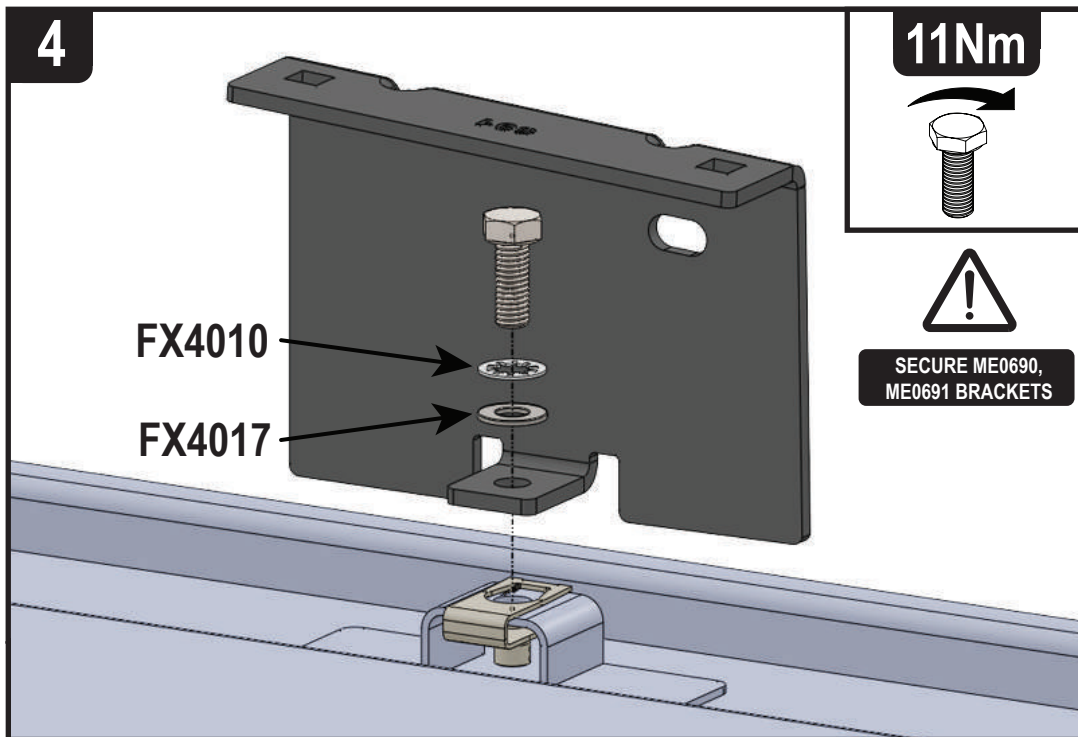
2



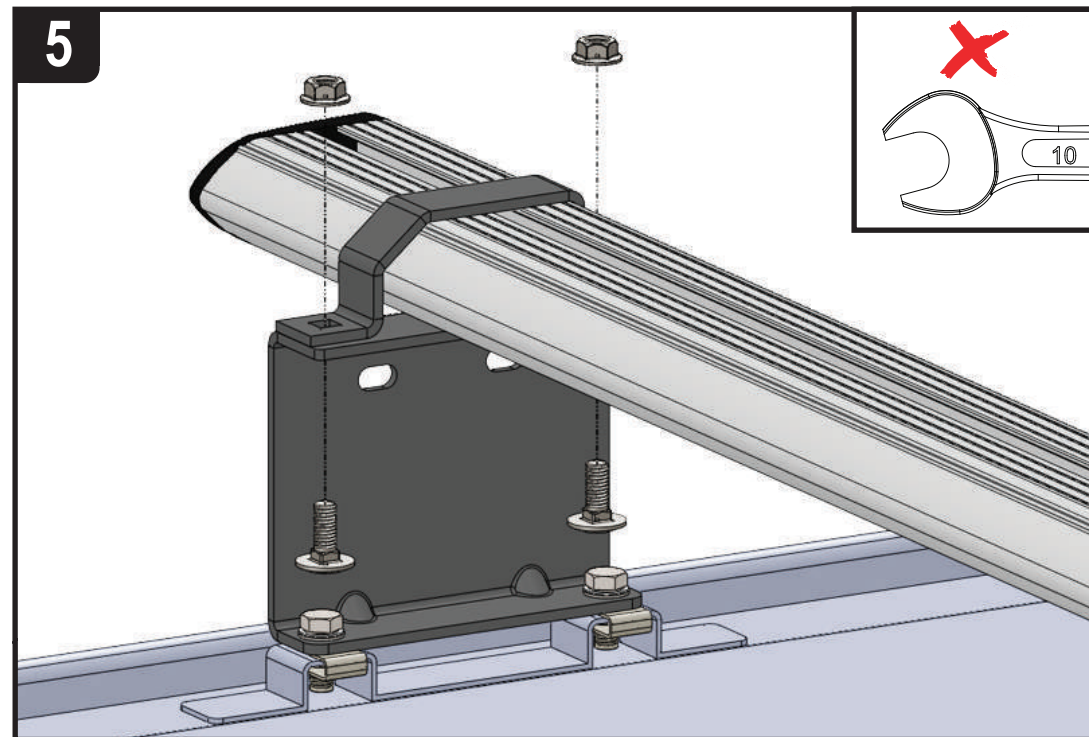
3



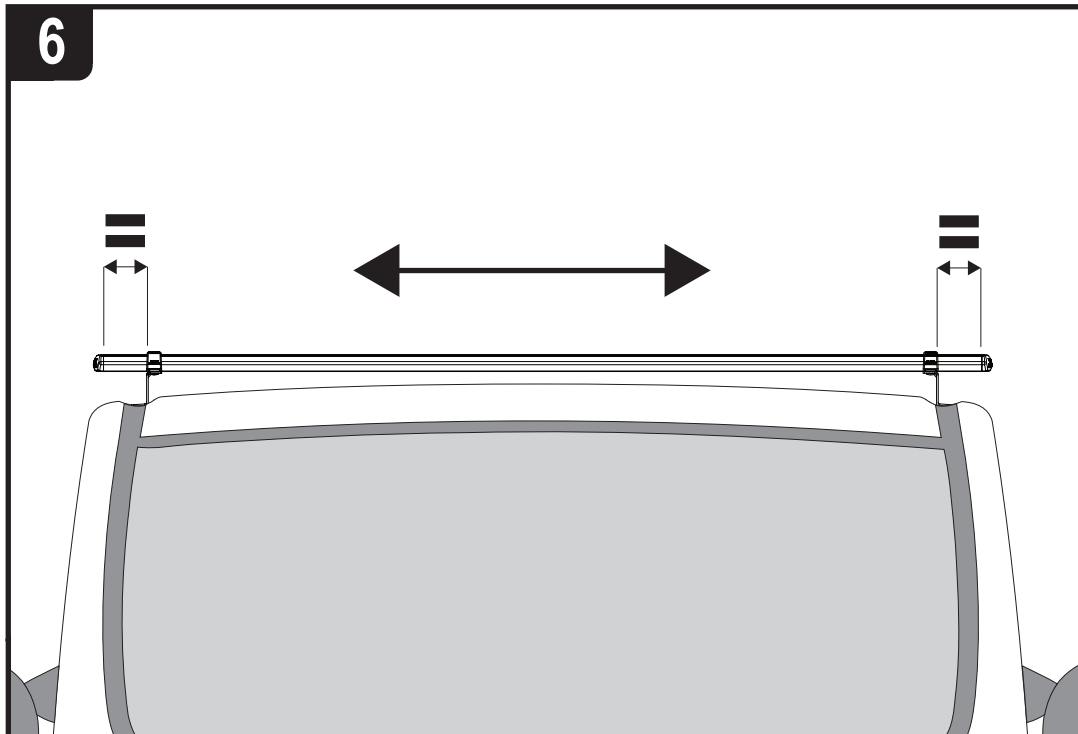
4



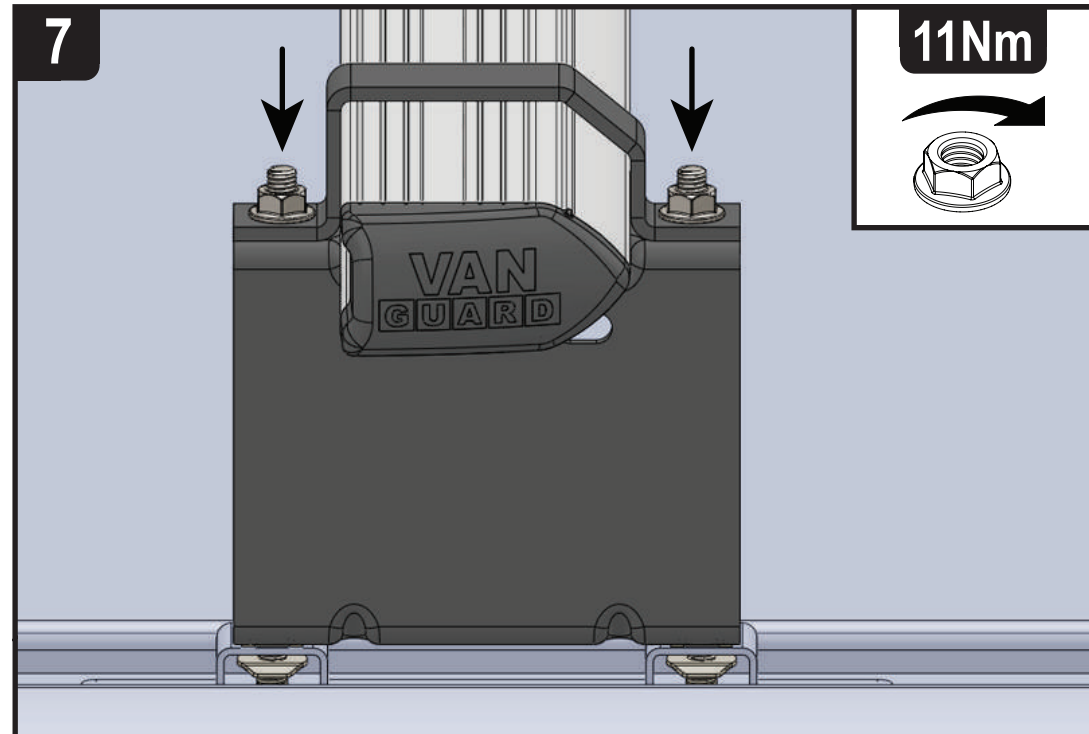
5



6



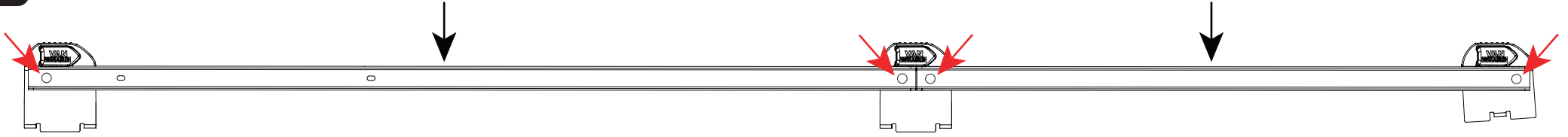
7



8

ME0356 (SWB) / ME0357 (LWB)

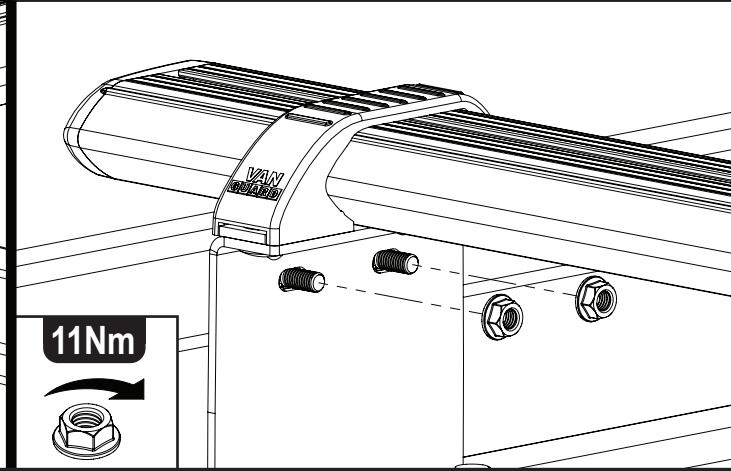
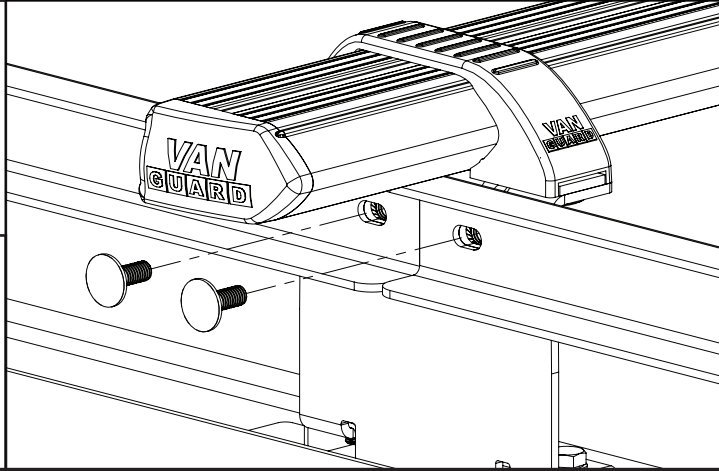
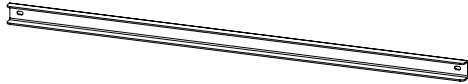
ME0358



ME0356 / ME0357

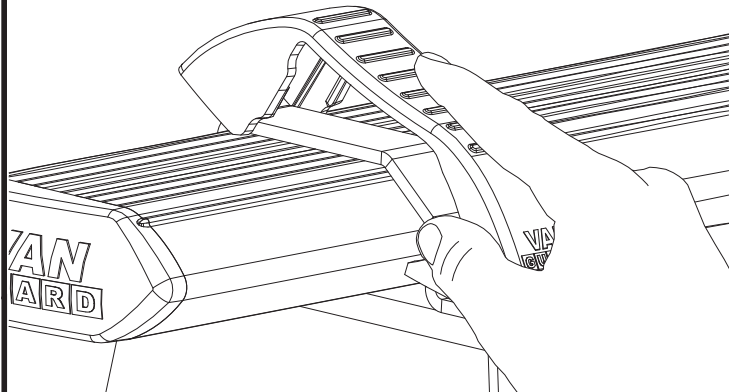


ME0358

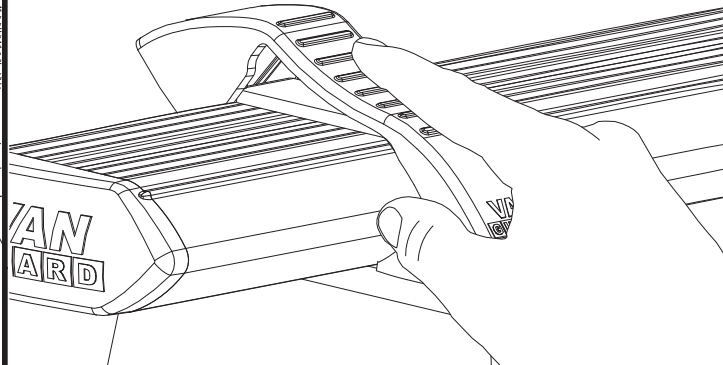


9

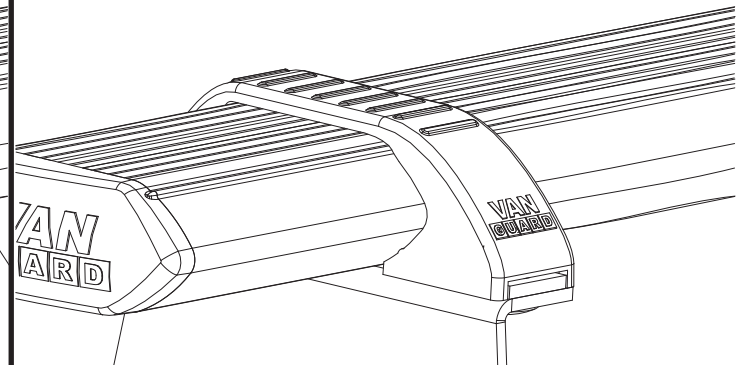
1.

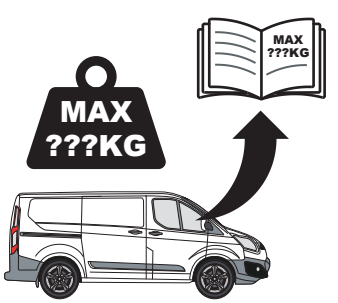


2.



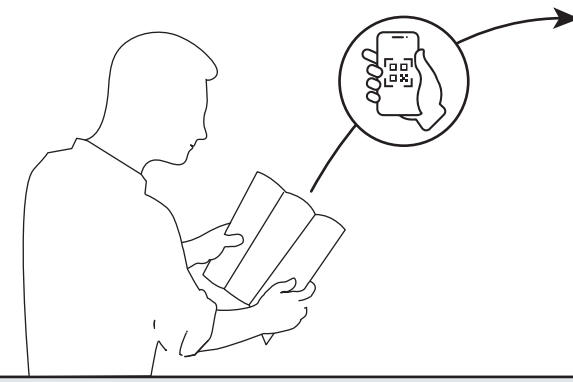
3.





**MAX
???KG**

ULTI Bar Trade <small>(Steel)</small>	ULTI Bar+ <small>(Aluminium)</small>
 X1	 X1



<p>EN - SAFETY AND PRODUCT INFORMATION DE - SICHERHEITS- UND PRODUKTINFORMATIONEN FR - INFORMATIONS DE SÉCURITÉ ET DU PRODUIT NL - VEILIGHEIDS- EN PRODUCTINFORMATIE ES - INFORMACIÓN DE SEGURIDAD Y DEL PRODUCTO IT - INFORMAZIONI SULLA SICUREZZA E SUL PRODOTTO</p>	<p>SV - SÄKERHETS- OCH PRODUKTINFORMATION DA - SIKKERHEDS- OG PRODUKTINFORMATION NO - SIKKERHETS- OG PRODUKTINFORMASJON PL - INFORMACJE O BEZPIECZENSTWIE I PRODUKCIE CS - INFORMACE O BEZPEČNOSTI A PRODUKTU</p>
---	--