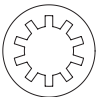
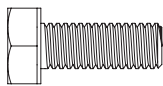


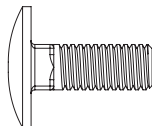
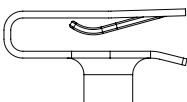
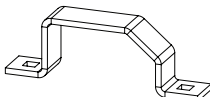
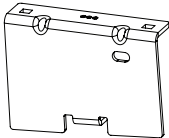
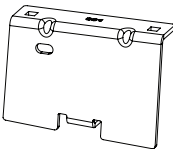
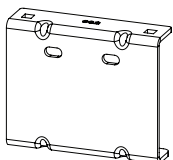


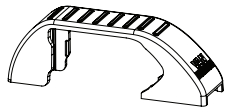


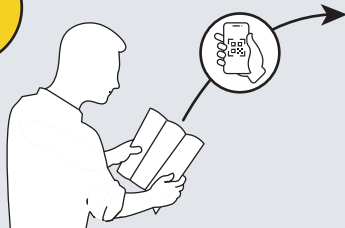
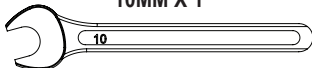
# IN8041

## ULTI Bars - X4

<b>FX4010 X14</b> (M6) 	<b>FX4012 X14</b> (M6X16) 	<b>FX4016 X26</b> (M6) 	<b>FX4017 X14</b> (M6) 	<b>FX4042 X26</b> (M6X16) 	<b>FX4126 X14</b> 	<b>ME0203 X8</b> 	<b>ME0690 X1</b> 
<b>ME0691 X1</b> 	<b>ME0692 X6</b> 	<b>182-SWB-4 = ME0356 X2</b> <b>182-LWB-4 = ME0357 X2</b> 		<b>ME0358 X2</b> 		<b>MA6065 X8</b> 	

### TOOLS REQUIRED

10MM X 1

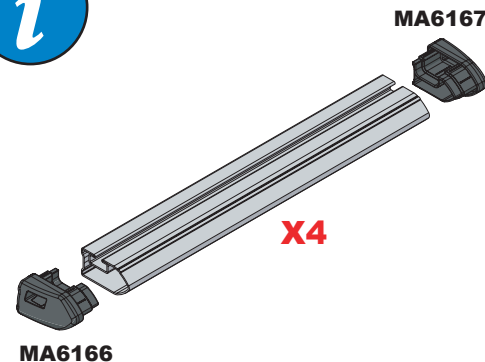


EN - SAFETY AND PRODUCT INFORMATION  
 DE - SICHERHEITS- UND PRODUKTINFORMATIONEN  
 FR - INFORMATIONS DE SÉCURITÉ ET DU PRODUIT  
 NL - VEILIGHEIDS- EN PRODUCTINFORMATIE  
 ES - INFORMACIÓN DE SEGURIDAD Y DEL PRODUCTO  
 IT - INFORMAZIONI SULLA SICUREZZA E SUL PRODOTTO

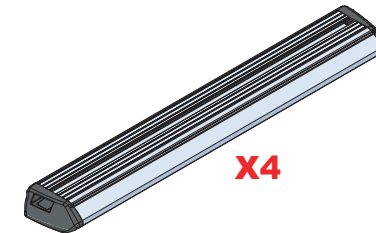
SV - SÄKERHETS- OCH PRODUKTINFORMATION  
 DA - SIKKERHEDS- OG PRODUKTINFORMATION  
 NO - SIKKERHETS- OG PRODUKTINFORMASJON  
 PL - INFORMACJE O BEZPIECZENSTWIE I PRODUKCIE  
 CS - INFORMACE O BEZPEČNOSTI A PRODUKTU



**Customercare@van-guard.co.uk**  
**UK +44 (0) 1392 368 351**



**ULTI Bar Trade**  
(Steel)



**ULTI Bar+**  
(Aluminium)

This FITTING INSTRUCTION is the property of VAN GUARD ACCESSORIES LTD. and must not be used for manufacturing purposes, copied nor communicated in any way to third parties without written permission from VAN GUARD ACCESSORIES LTD.

IN8041\_F (CN:00183)

Van Guard Accessories Ltd  
 Fair Oak Close, Exeter Airport Business Park,  
 Exeter, Devon, EX5 2UL  
[www.van-guard.co.uk](http://www.van-guard.co.uk)

## 182-SWB-4

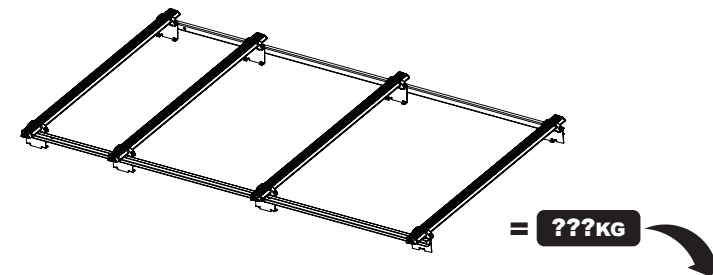
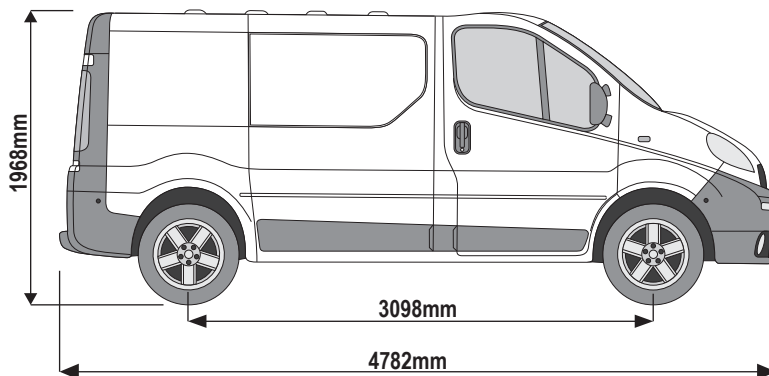
### Vehicle:

Vauxhall Vivaro: 2001 - 2014  
 Renault Trafic: 2001 - 2014  
 Nissan Primastar: 2002 - 2014

**Wheel Base:** SWB (L1)

**Roof Height:** Low (H1)

**Rear Doors:** Twin / Tailgate



ULTI Bar Trade (Steel) = **24.2KG**

ULTI Bar+ (Aluminium) = **18KG**

## 182-LWB-4

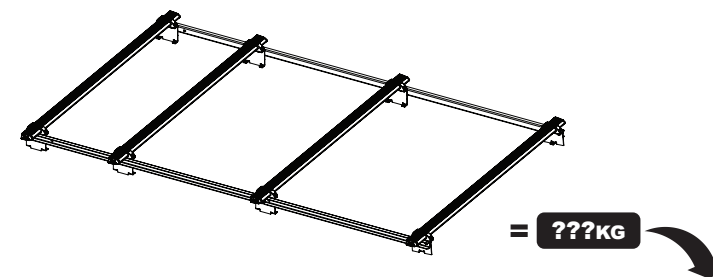
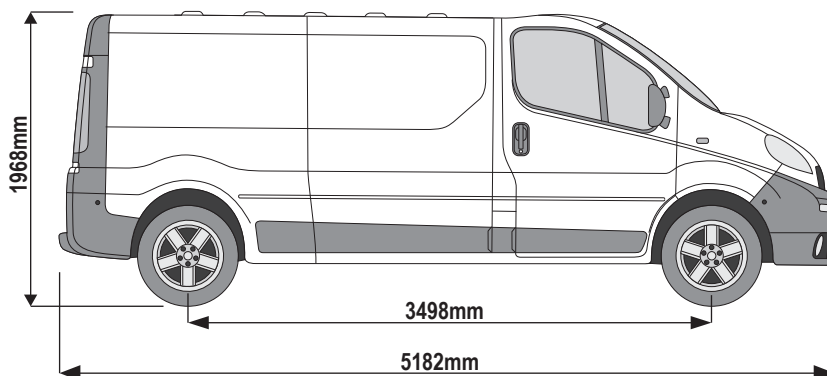
### Vehicle:

Vauxhall Vivaro: 2001 - 2014  
 Renault Trafic: 2001 - 2014  
 Nissan Primastar: 2002 - 2014

**Wheel Base:** LWB (L2)

**Roof Height:** Low (H1)

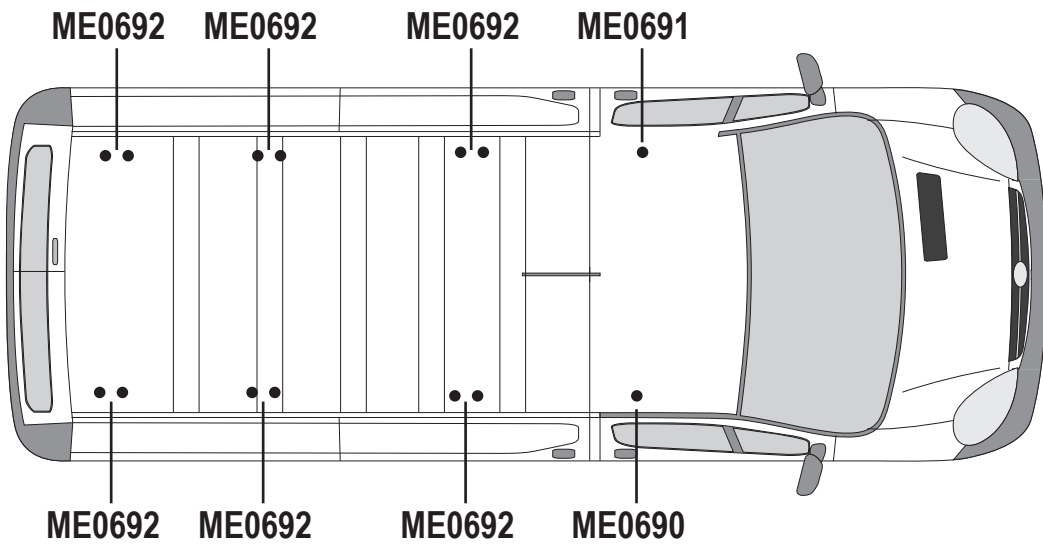
**Rear Doors:** Twin / Tailgate



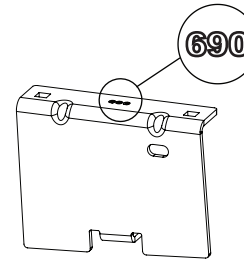
ULTI Bar Trade (Steel) = **25.4KG**

ULTI Bar+ (Aluminium) = **19.2KG**

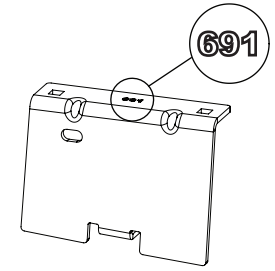
1



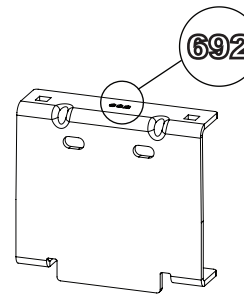
ME0690



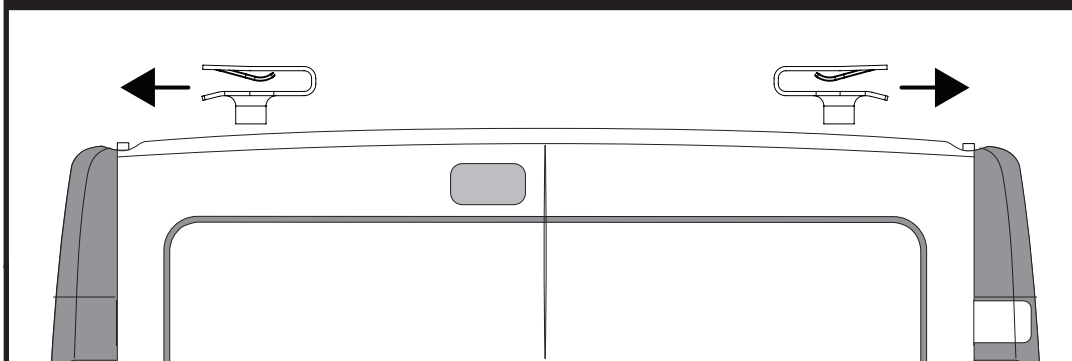
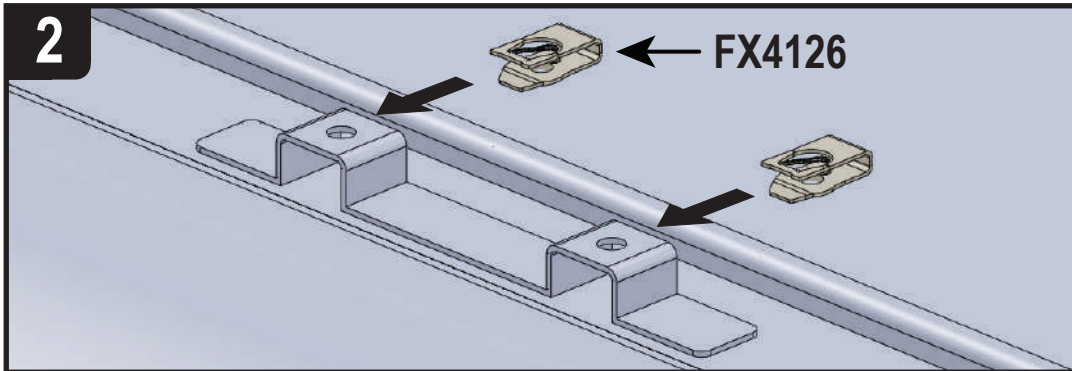
ME0691



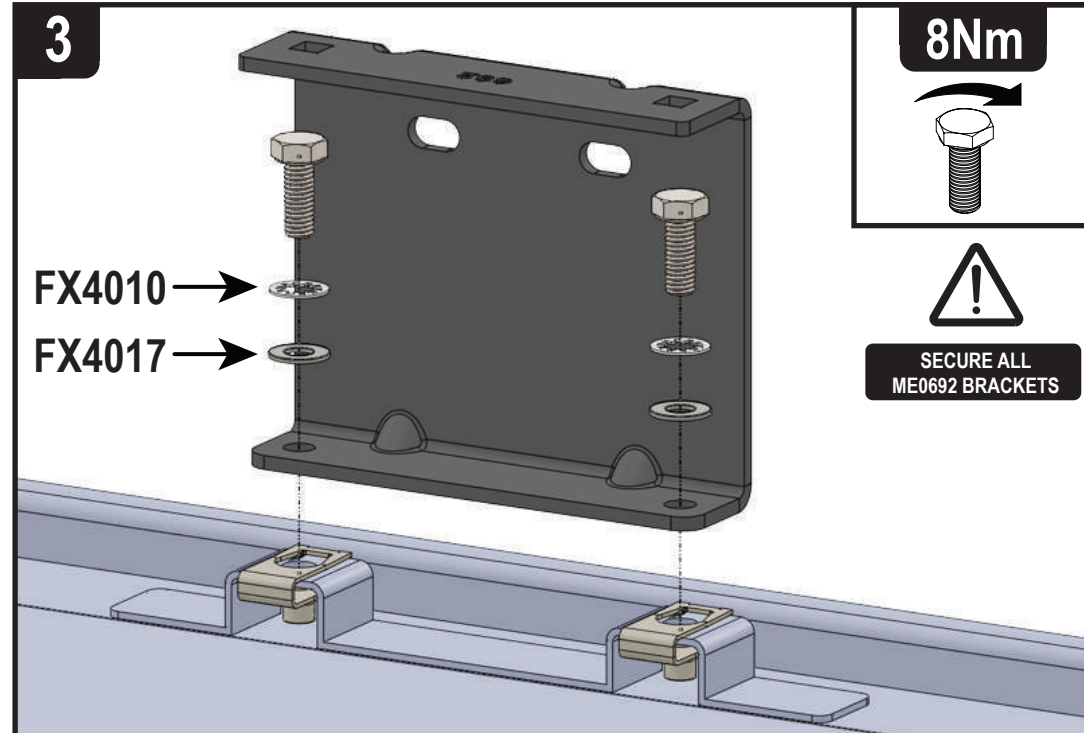
ME0692



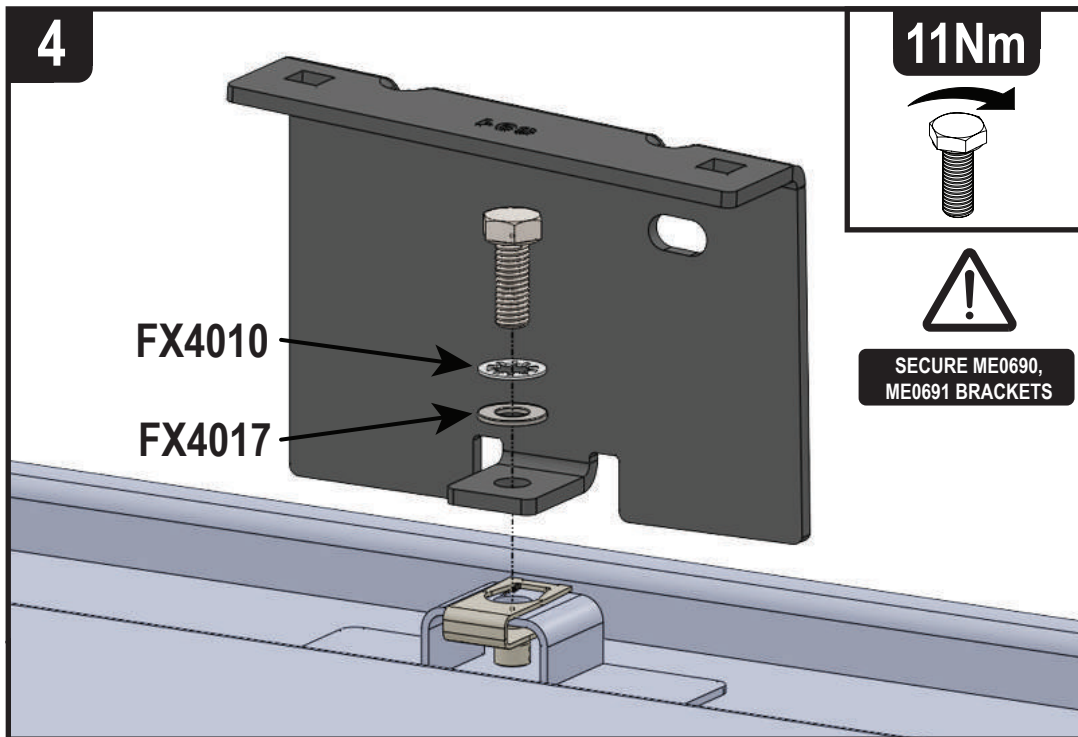
2



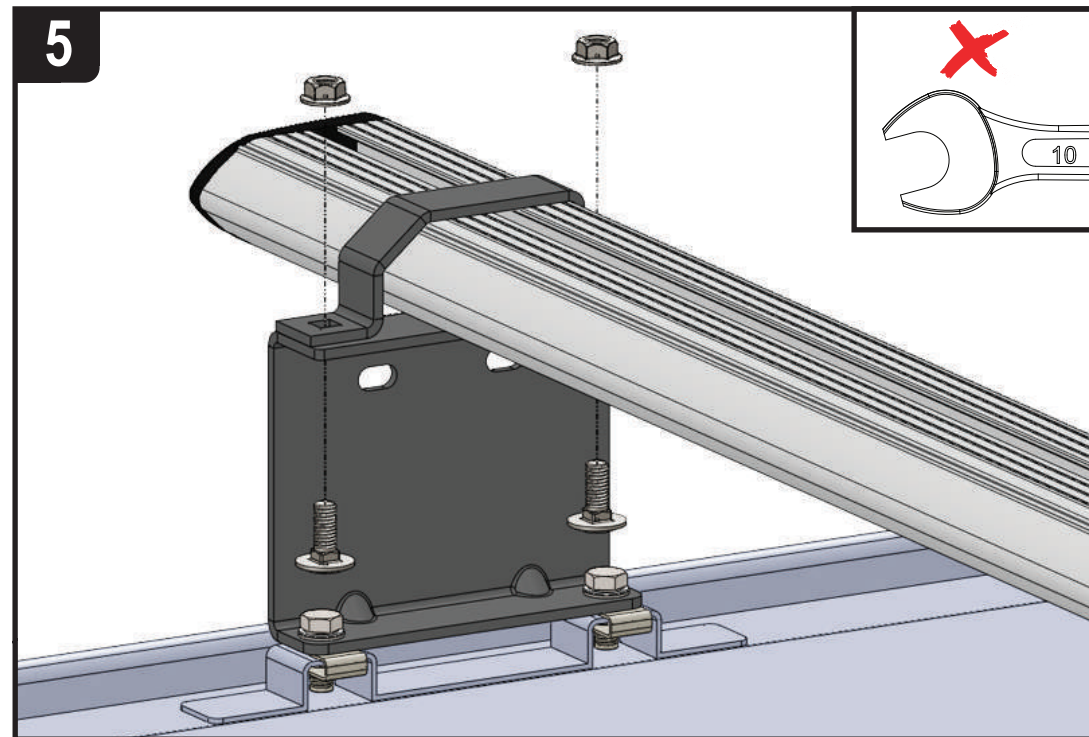
3



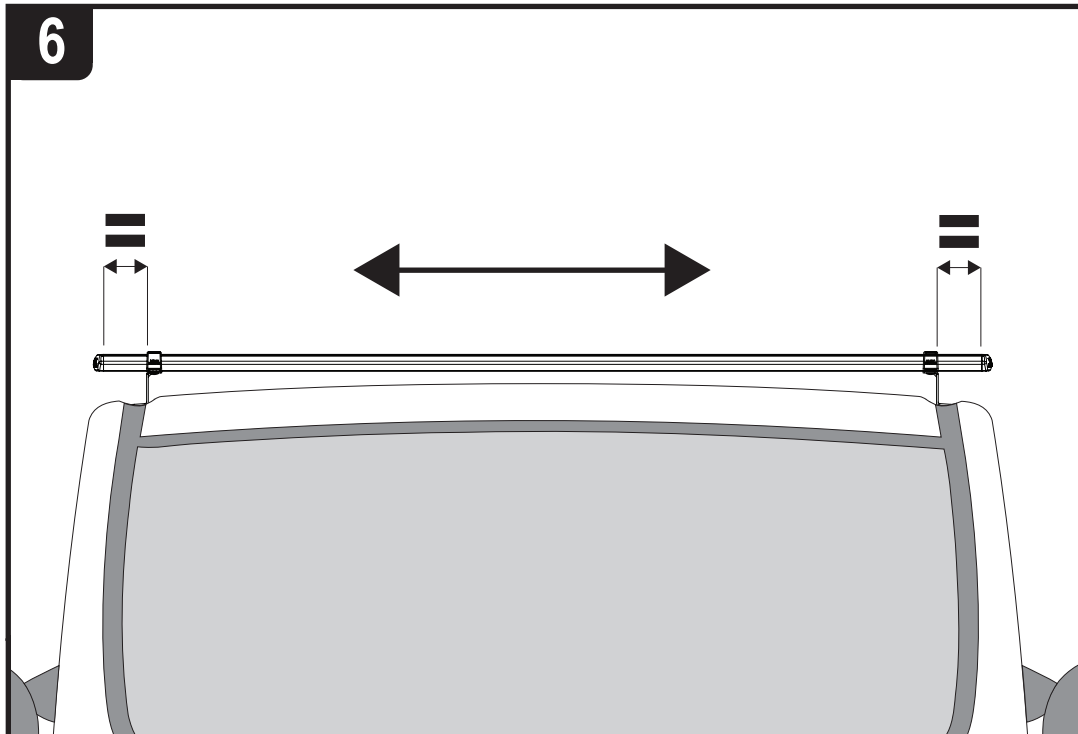
4



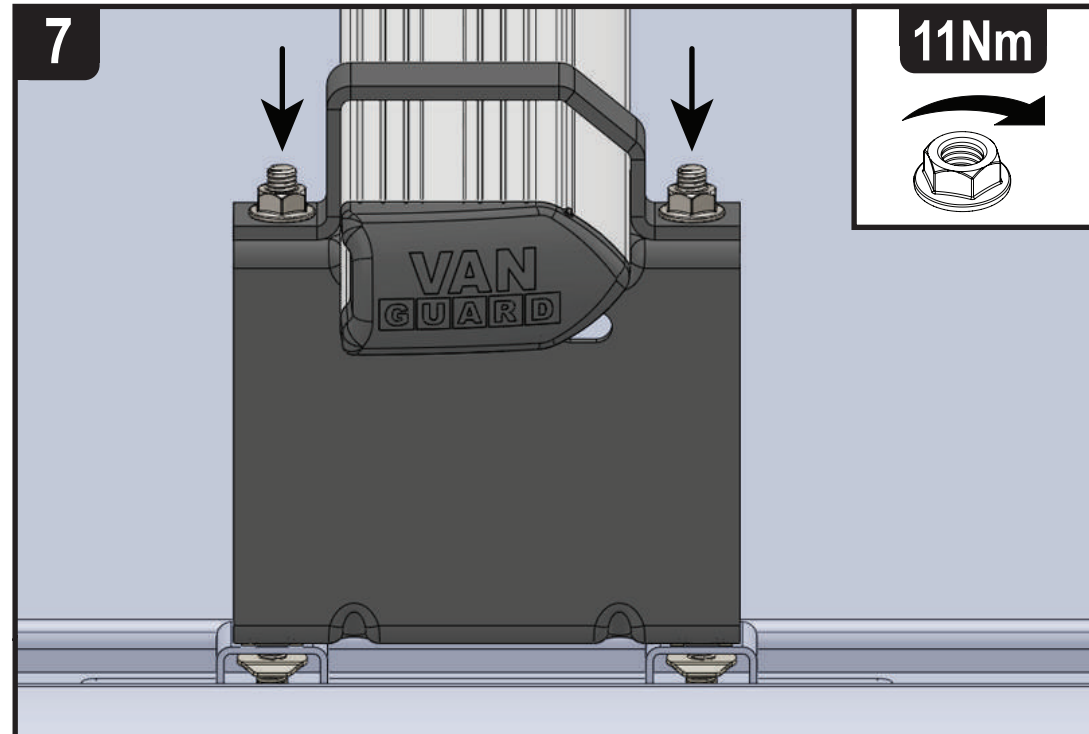
5



6



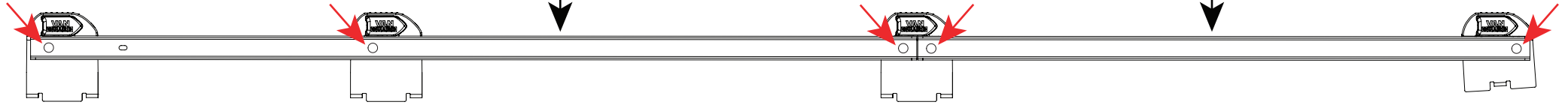
7



8

ME0356 (SWB) / ME0357 (LWB)

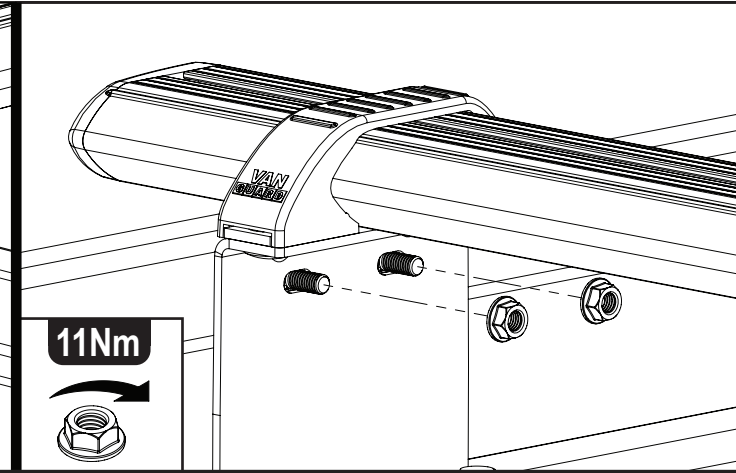
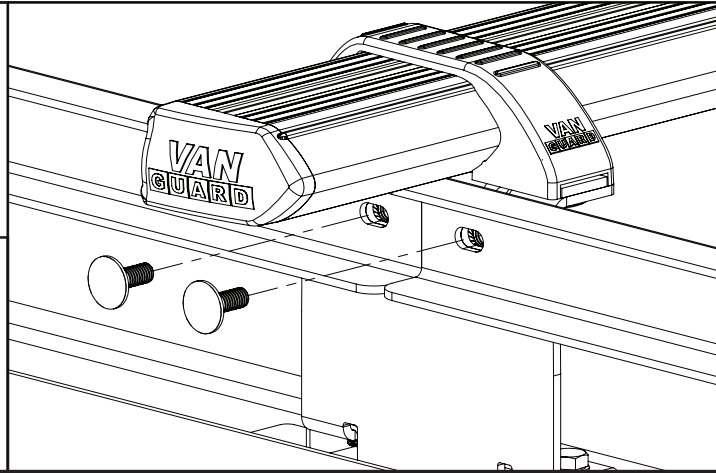
ME0358



ME0356 / ME0357



ME0358

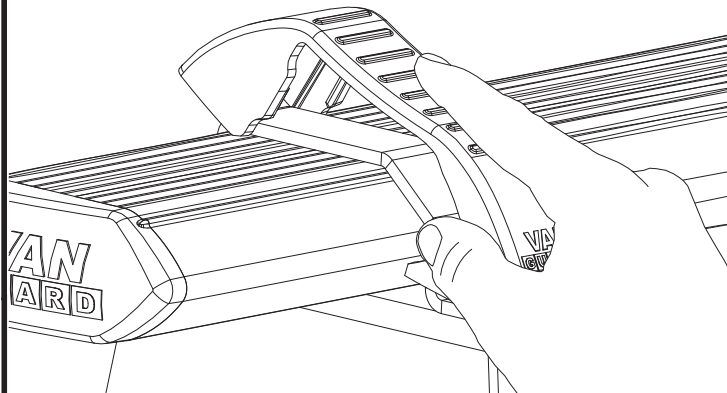


11Nm

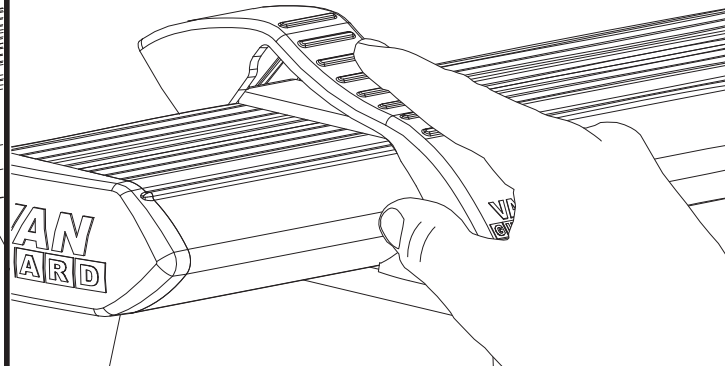


9

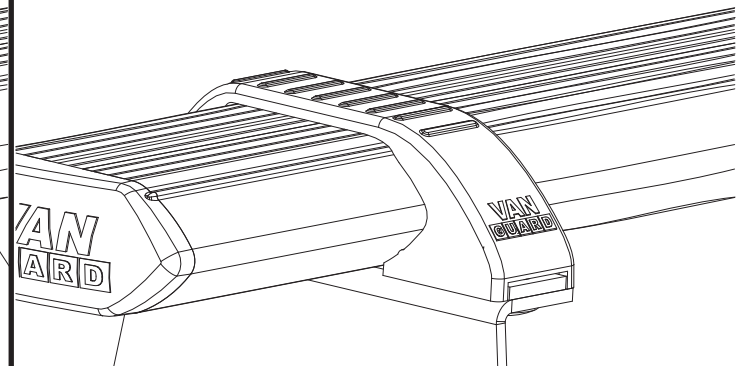
1.

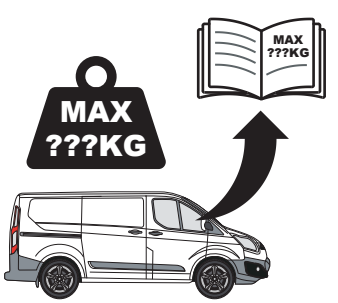


2.



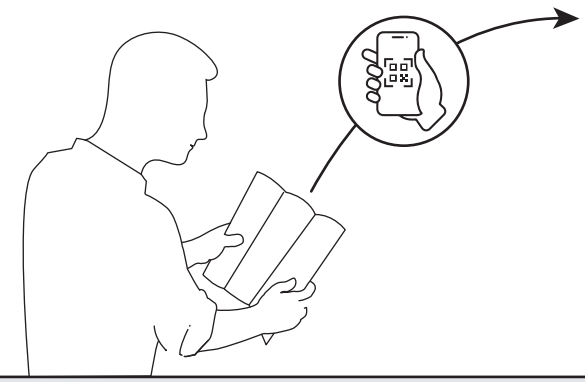
3.





**MAX  
???KG**

<b>ULTI Bar Trade</b> <small>(Steel)</small>	<b>ULTI Bar+</b> <small>(Aluminium)</small>
  <b>X1</b>	  <b>X1</b>



**EN** - SAFETY AND PRODUCT INFORMATION  
**DE** - SICHERHEITS- UND PRODUKTINFORMATIONEN  
**FR** - INFORMATIONS DE SÉCURITÉ ET DU PRODUIT  
**NL** - VEILIGHEIDS- EN PRODUCTINFORMATIE  
**ES** - INFORMACIÓN DE SEGURIDAD Y DEL PRODUCTO  
**IT** - INFORMAZIONI SULLA SICUREZZA E SUL PRODOTTO  
**SV** - SÄKERHETS- OCH PRODUKTINFORMATION  
**DA** - SIKKERHEDS- OG PRODUKTINFORMATION  
**NO** - SIKKERHETS- OG PRODUKTINFORMASJON  
**PL** - INFORMACJE O BEZPIECZENSTWIE I PRODUKCIE  
**CS** - INFORMACE O BEZPEČNOSTI A PRODUKTU