
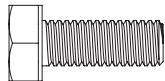
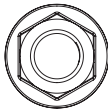

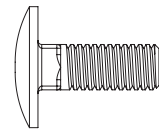

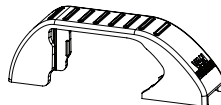
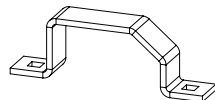
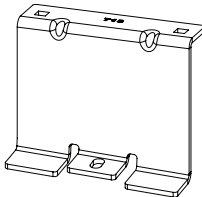
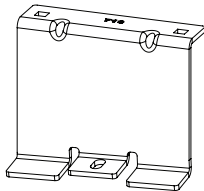
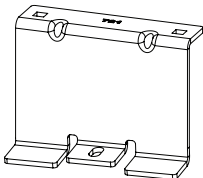
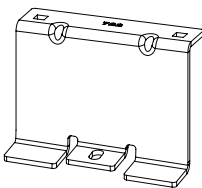
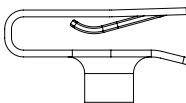


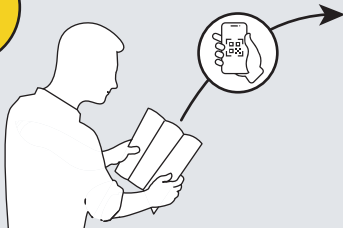
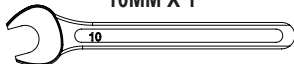
IN8078

ULTI Bars - X2

FX4010 X4 (M6) 	FX4012 X4 (M6X16) 	FX4016 X8 (M6) 	FX4017 X4 (M6) 	FX4042 X8 (M6X16) 	MA6016 X8 	MA6065 X4 	ME0203 X4 
ME0718 X1 	ME0719 X1 	ME0721 X1 	ME0722 X1 	FX4126 X4 			

TOOLS REQUIRED

10MM X 1

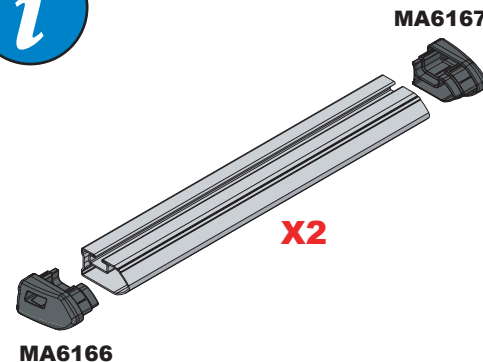


EN - SAFETY AND PRODUCT INFORMATION
 DE - SICHERHEITS- UND PRODUKTINFORMATIONEN
 FR - INFORMATIONS DE SÉCURITÉ ET DU PRODUIT
 NL - VEILIGHEIDS- EN PRODUCTINFORMATIE
 ES - INFORMACIÓN DE SEGURIDAD Y DEL PRODUCTO
 IT - INFORMAZIONI SULLA SICUREZZA E SUL PRODOTTO

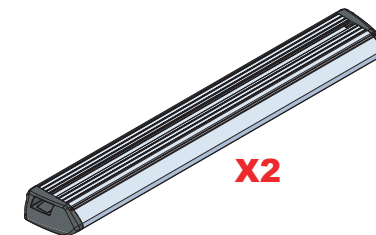
SV - SÄKERHETS- OCH PRODUKTINFORMATION
 DA - SIKKERHEDS- OG PRODUKTINFORMATION
 NO - SIKKERHETS- OG PRODUKTINFORMASJON
 PL - INFORMACJE O BEZPIECZENSTWIE I PRODUKCIE
 CS - INFORMACE O BEZPEČNOSTI A PRODUKTU



Customercare@van-guard.co.uk
UK +44 (0) 1392 368 351



ULTI Bar Trade
(Steel)



ULTI Bar+
(Aluminium)

This FITTING INSTRUCTION is the property of VAN GUARD ACCESSORIES LTD. and must not be used for manufacturing purposes, copied nor communicated in any way to third parties without written permission from VAN GUARD ACCESSORIES LTD.

IN8078_F (CN:00183)

Van Guard Accessories Ltd
 Fair Oak Close, Exeter Airport Business Park,
 Exeter, Devon, EX5 2UL
www.van-guard.co.uk

248-2

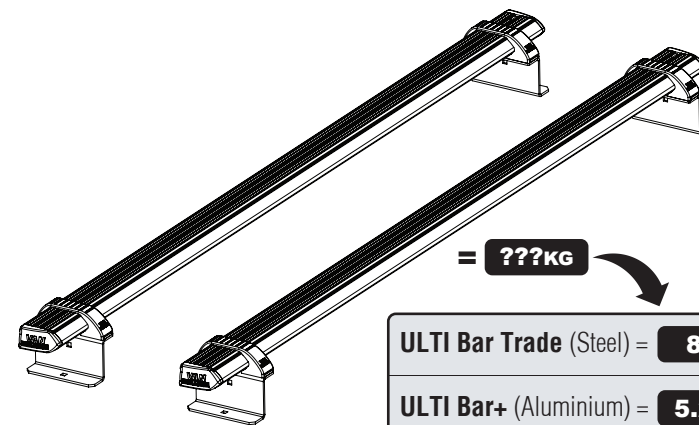
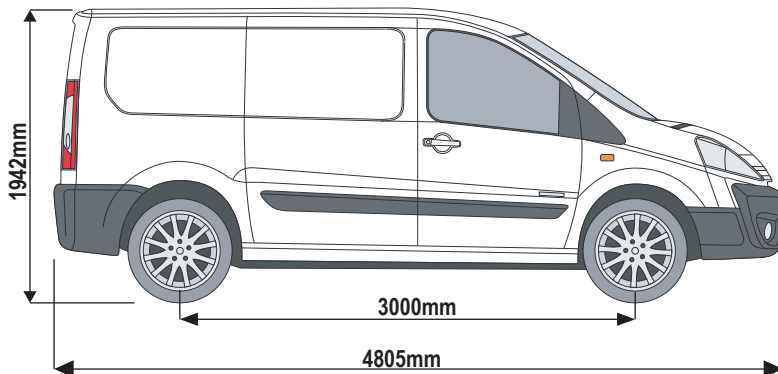
Vehicle:

Citroen Dispatch: 2007 - 2016
 Peugeot Expert: 2007 - 2016
 Fiat Scudo: 2007 - 2016
 Toyota ProAce: 2013 - 2016

Wheel Base: SWB (L1)

Roof Height: Low (H1)

Rear Doors: Twin / Tailgate



248-2

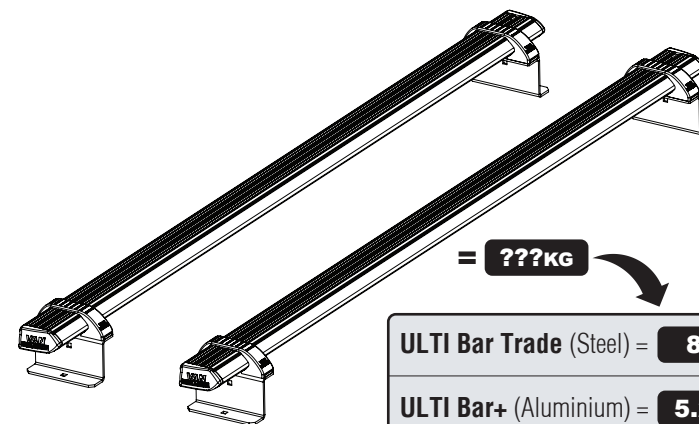
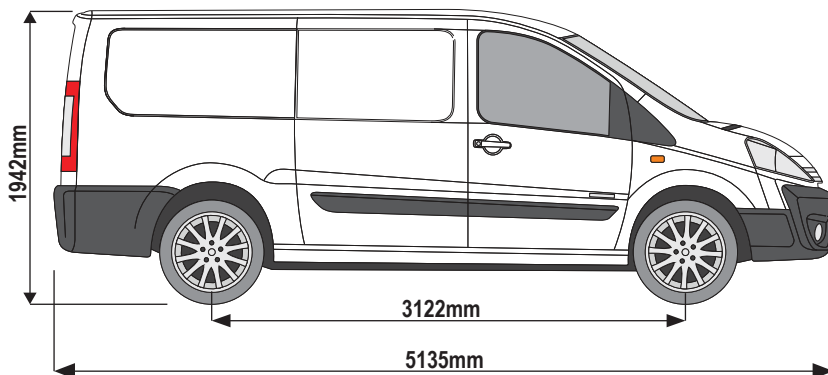
Vehicle:

Citroen Dispatch: 2007 - 2016
 Peugeot Expert: 2007 - 2016
 Fiat Scudo: 2007 - 2016
 Toyota ProAce: 2013 - 2016

Wheel Base: LWB (L2)

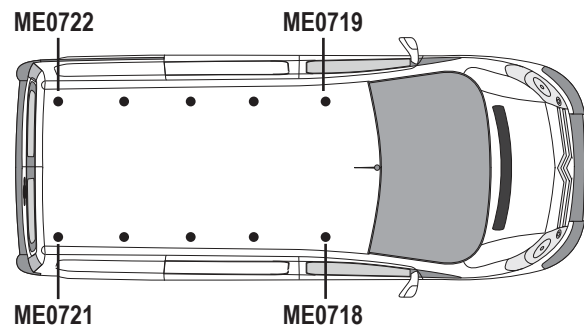
Roof Height: Low (H1)

Rear Doors: Twin / Tailgate

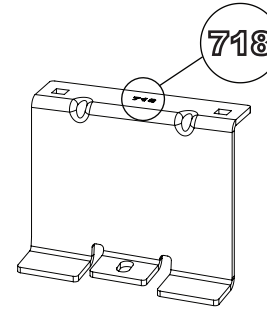


1

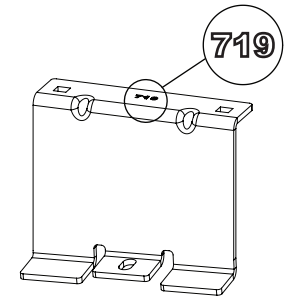
L1H1 (SWB)



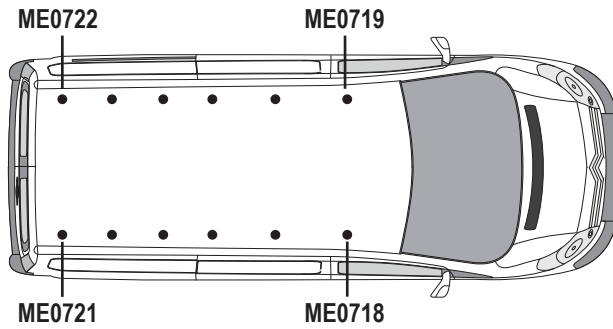
ME0718



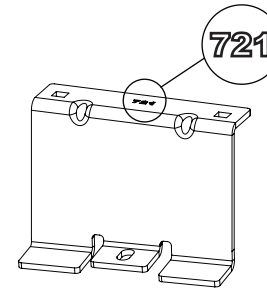
ME0719



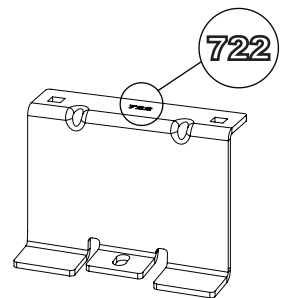
L2H1 (LWB)



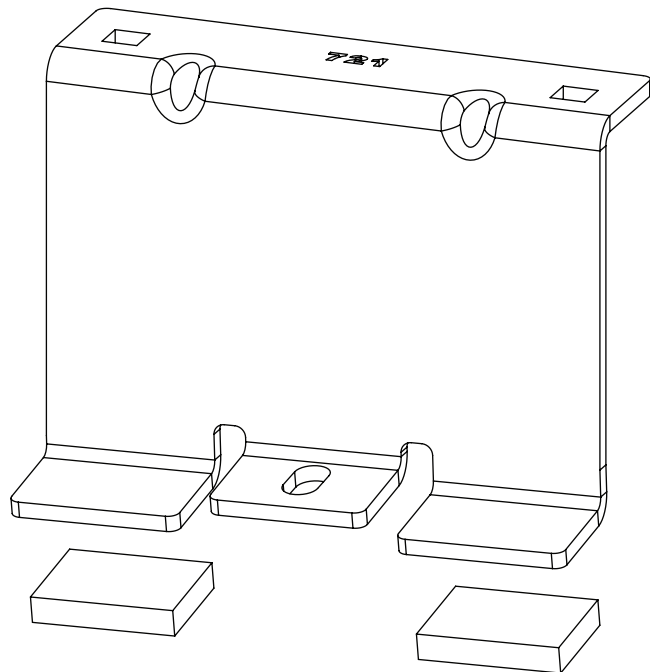
ME0721



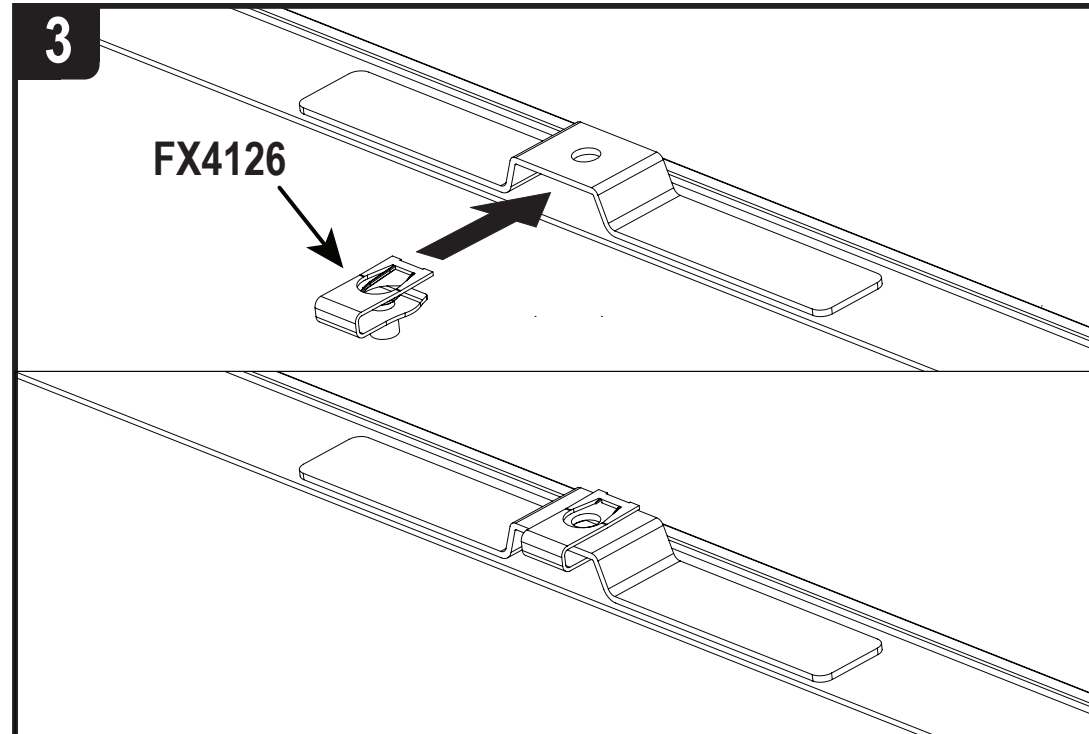
ME0722



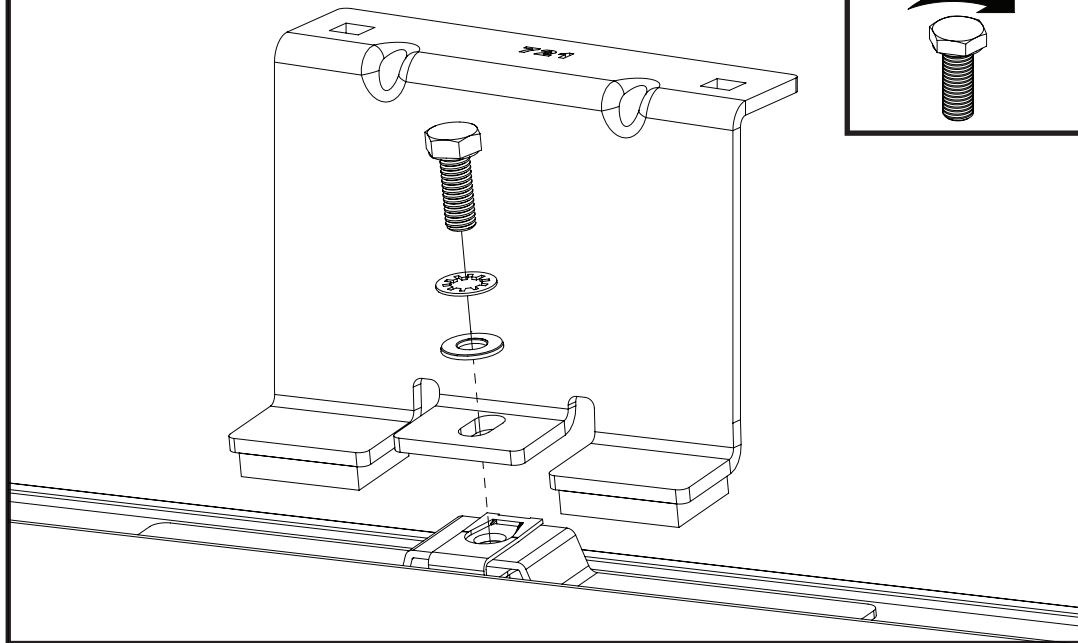
2



3

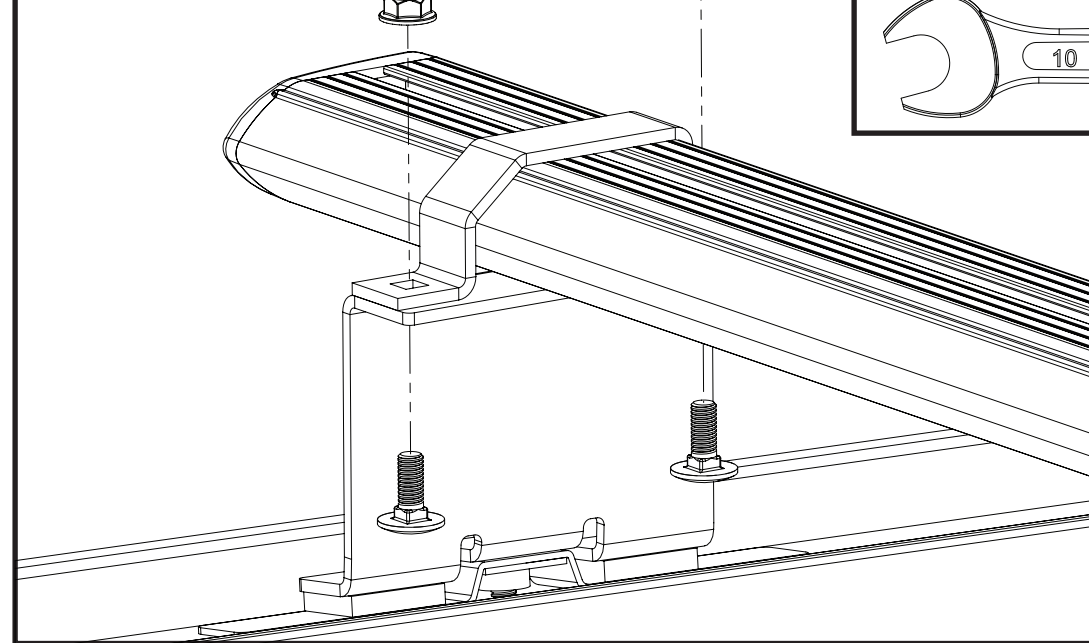


4

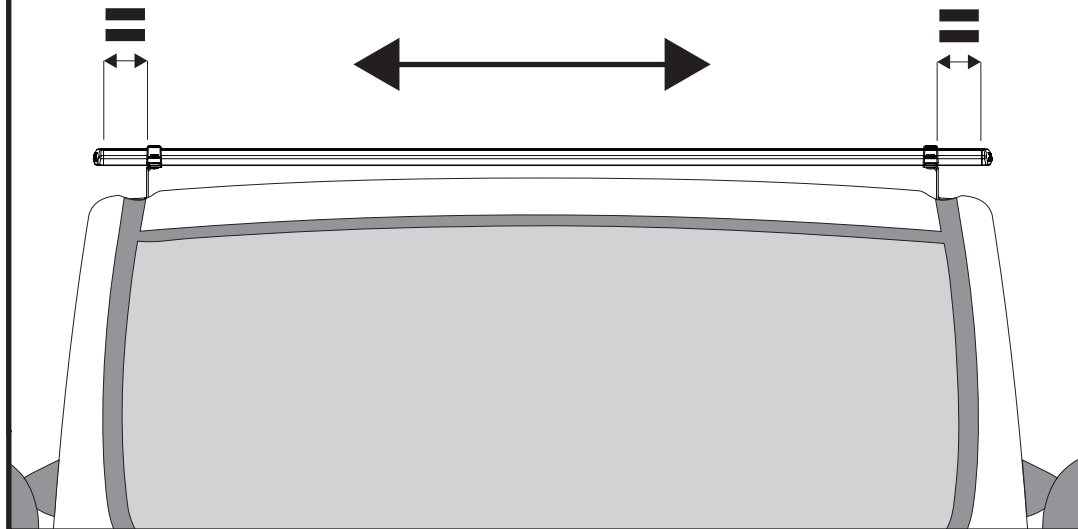


11Nm

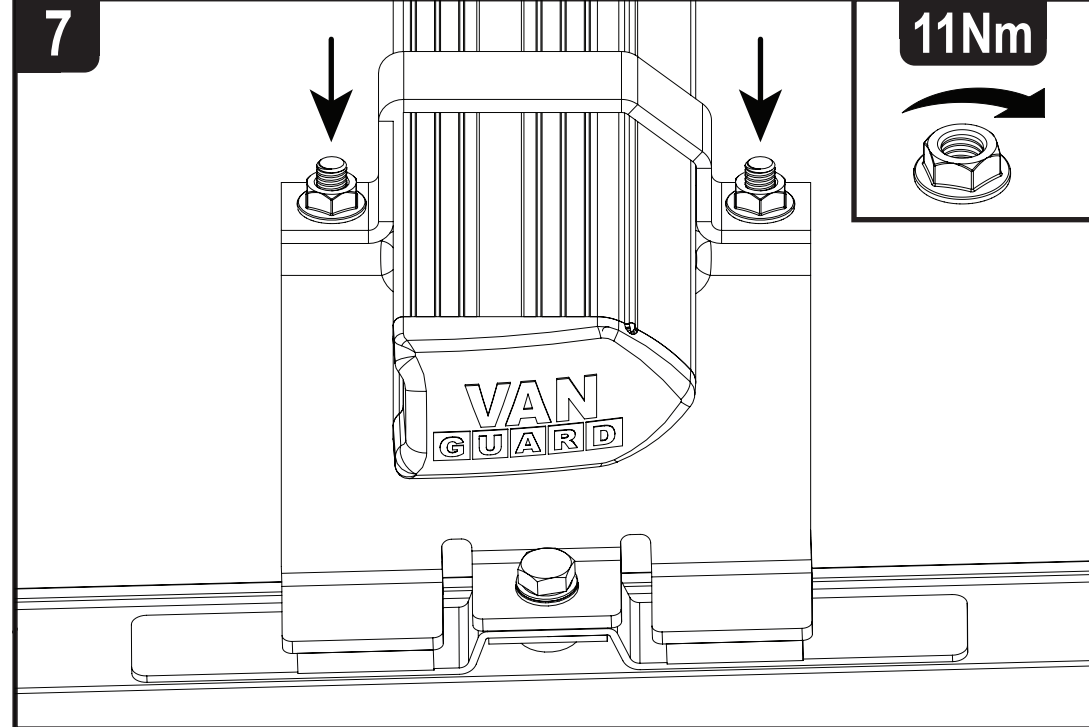
5



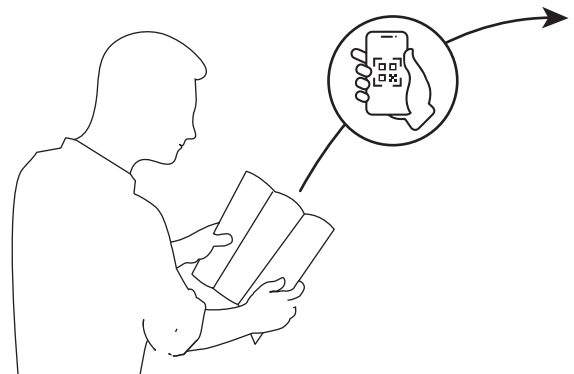
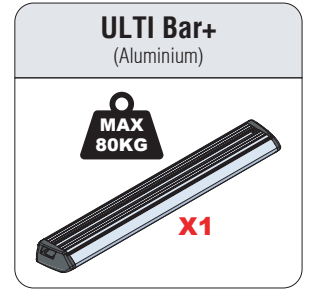
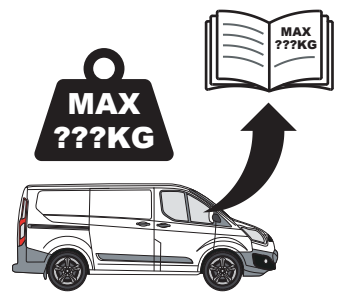
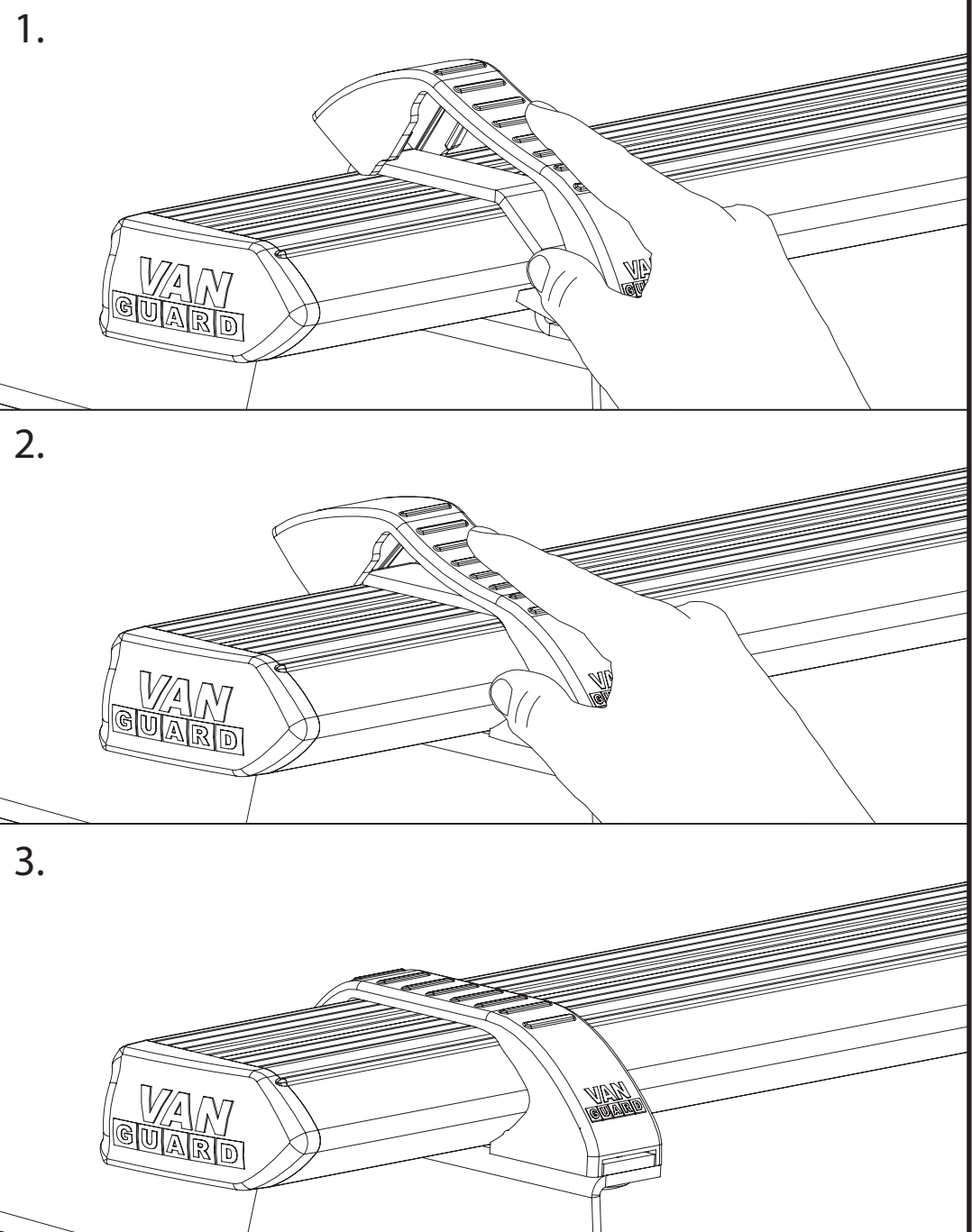
6



7



11Nm



EN - SAFETY AND PRODUCT INFORMATION
DE - SICHERHEITS- UND PRODUKTINFORMATIONEN
FR - INFORMATIONS DE SÉCURITÉ ET DU PRODUIT
NL - VEILIGHEIDS- EN PRODUCTINFORMATIE
ES - INFORMACIÓN DE SEGURIDAD Y DEL PRODUCTO
IT - INFORMAZIONI SULLA SICUREZZA E SUL PRODOTTO

SV - SÄKERHETS- OCH PRODUKTINFORMATION
DA - SIKKERHEDS- OG PRODUKTINFORMATION
NO - SIKKERHETS- OG PRODUKTINFORMASJON
PL - INFORMACJE O BEZPIECZENSTWIE I PRODUKCJE
CS - INFORMACE O BEZPEČNOSTI A PRODUKTU