
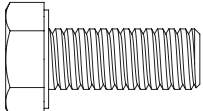
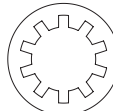
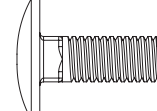
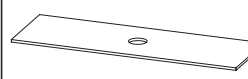
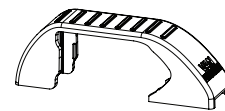
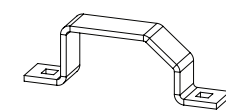
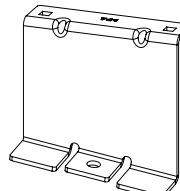
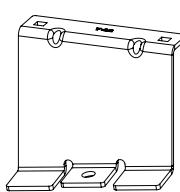
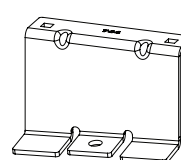
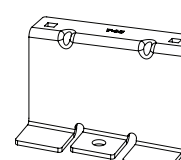


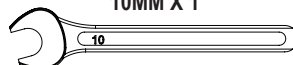
IN8090

ULTI Bars - X2

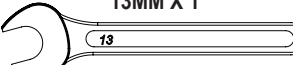
<p>FX4016 X8 (M6)</p> 	<p>FX4018 X4 (M8X20)</p> 	<p>FX4019 X4 (M8)</p> 	<p>FX4042 X8 (M6X16)</p> 	<p>MA6018 X4</p> 	<p>MA6065 X4</p> 	<p>ME0203 X4</p> 	<p>ME0741 X1</p> 
<p>ME0742 X1</p> 	<p>ME0744 X1</p> 	<p>ME0745 X1</p> 					

TOOLS REQUIRED


10MM X 1




13MM X 1



FLAT HEAD SCREWDRIVER X 1







EN - SAFETY AND PRODUCT INFORMATION
 DE - SICHERHEITS- UND PRODUKTINFORMATIONEN
 FR - INFORMATIONS DE SÉCURITÉ ET DU PRODUIT
 NL - VEILIGHEIDS- EN PRODUCTINFORMATIE
 ES - INFORMACIÓN DE SEGURIDAD Y DEL PRODUCTO
 IT - INFORMAZIONI SULLA SICUREZZA E SUL PRODOTTO

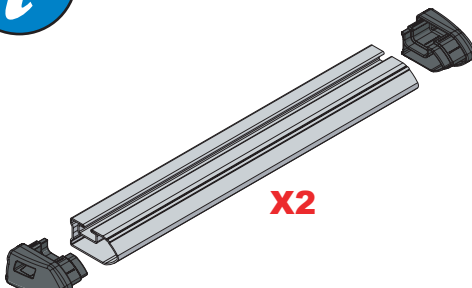
SV - SÄKERHETS- OCH PRODUKTINFORMATION
 DA - SIKKERHEDS- OG PRODUKTINFORMATION
 NO - SIKKERHETS- OG PRODUKTINFORMASJON
 PL - INFORMACJE O BEZPIECZENSTWIE I PRODUKCIE
 CS - INFORMACE O BEZPEČNOSTI A PRODUKTU



Customercare@van-guard.co.uk
UK +44 (0) 1392 368 351



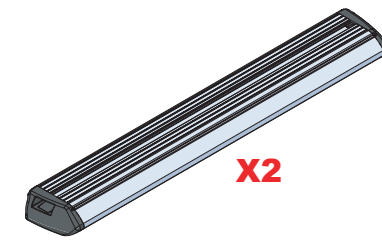
MA6167



X2

MA6166

ULTI Bar Trade
(Steel)



X2

ULTI Bar+
(Aluminium)

This FITTING INSTRUCTION is the property of VAN GUARD ACCESSORIES LTD. and must not be used for manufacturing purposes, copied nor communicated in any way to third parties without written permission from VAN GUARD ACCESSORIES LTD.

IN8090_G (CN:00183)

Van Guard Accessories Ltd
 Fair Oak Close, Exeter Airport Business Park,
 Exeter, Devon, EX5 2UL
www.van-guard.co.uk

VG271-2

Vehicle:

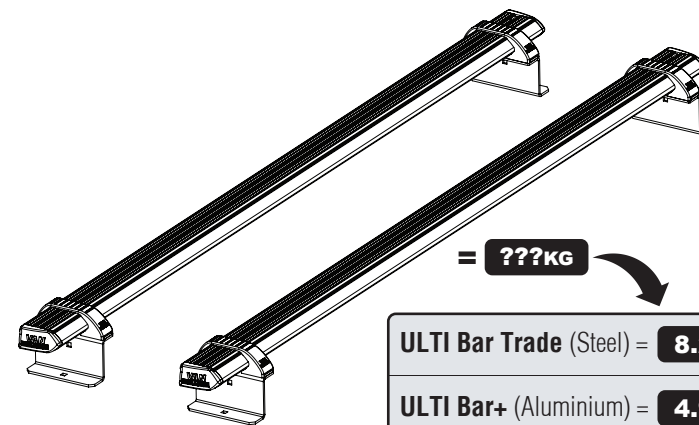
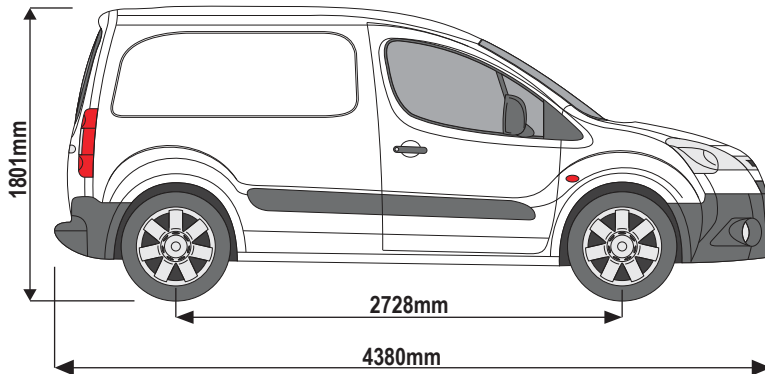
Citroen Berlingo: 2008 - 2018

Peugeot Partner: 2008 - 2018

Wheel Base: SWB (L1)

Roof Height: Standard (H1)

Rear Doors: Twin / Tailgate



VG271-2

Vehicle:

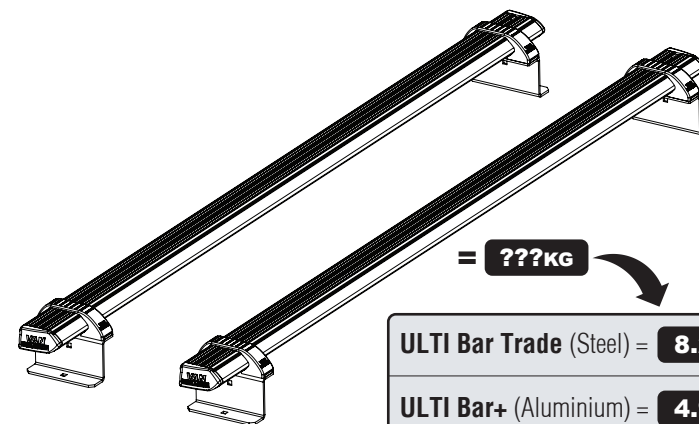
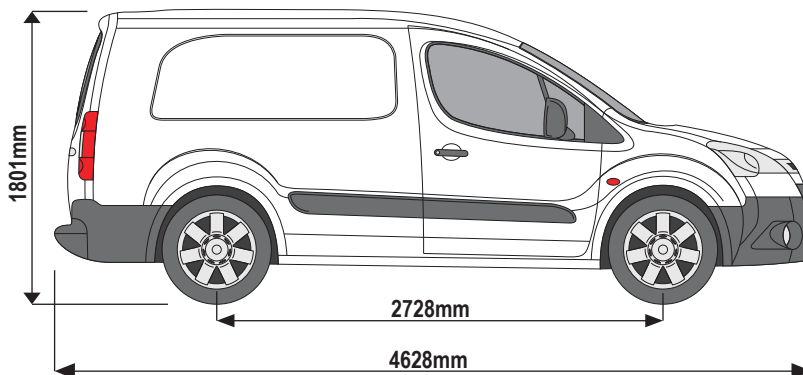
Citroen Berlingo: 2008 - 2018

Peugeot Partner: 2008 - 2018

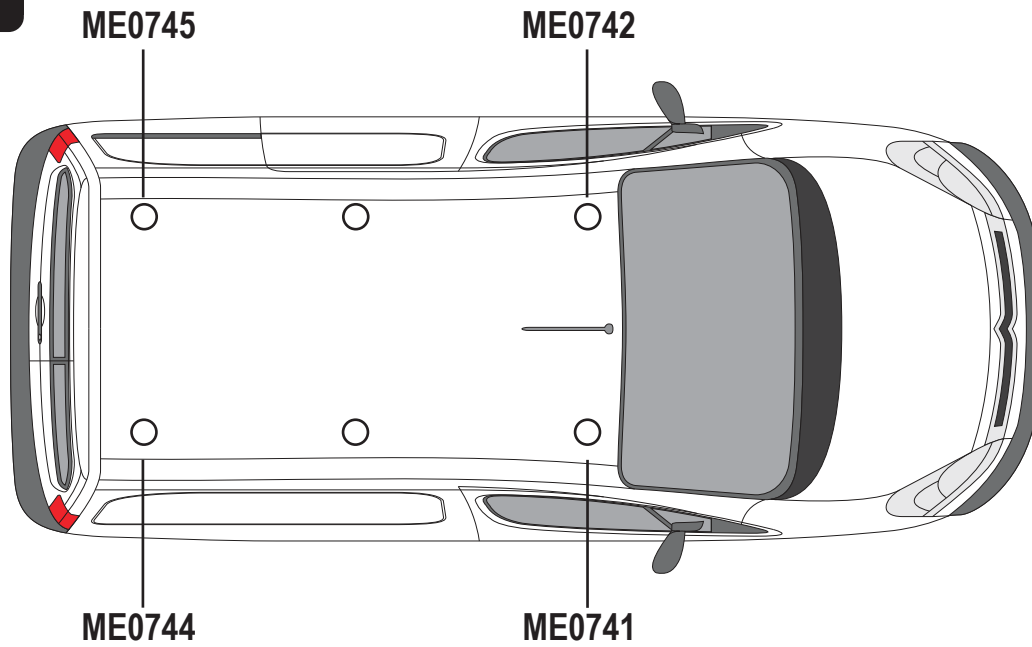
Wheel Base: LWB (L2)

Roof Height: Standard (H1)

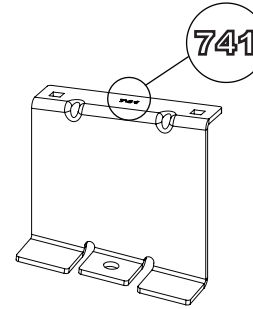
Rear Doors: Twin / Tailgate



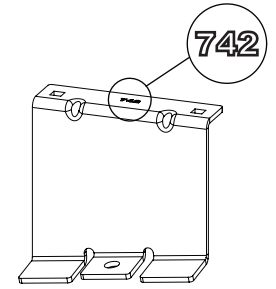
1



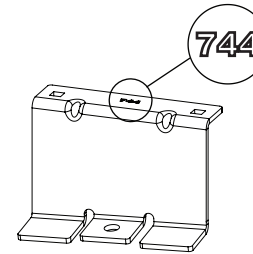
ME0741



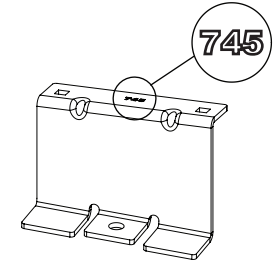
ME0742



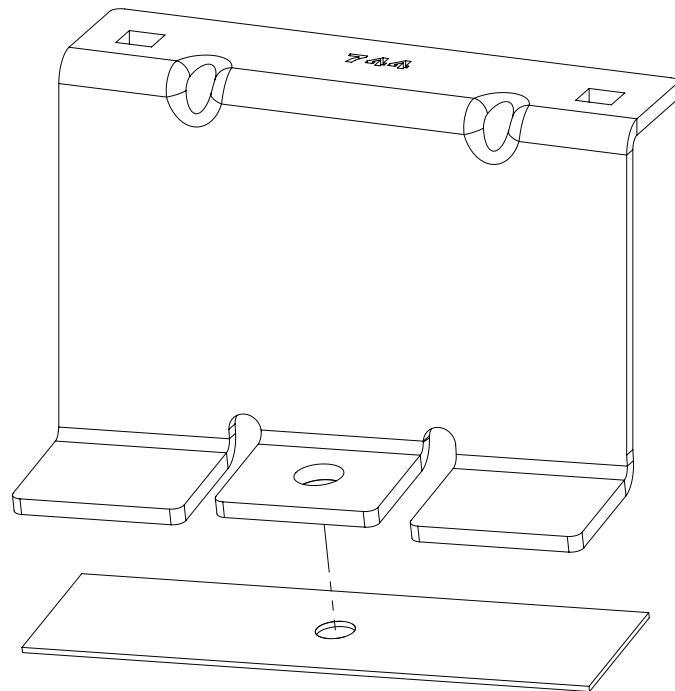
ME0744



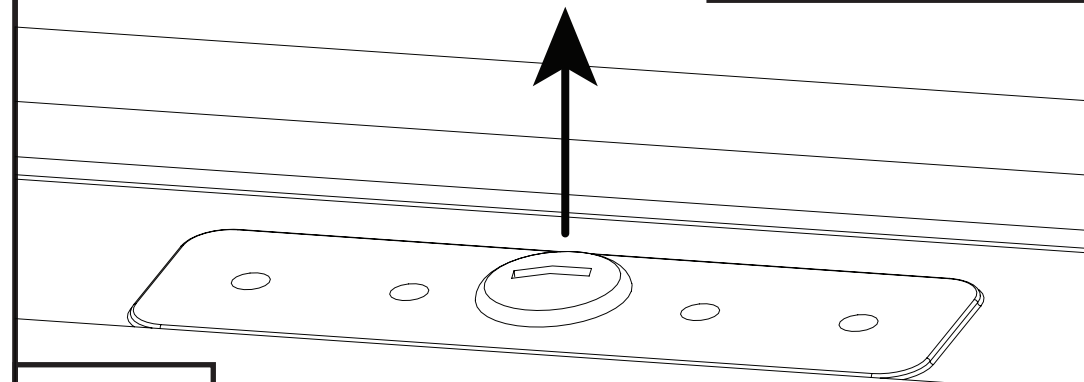
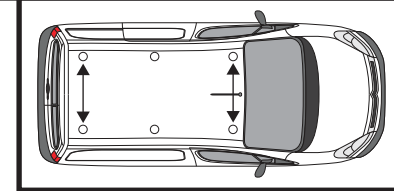
ME0745



2



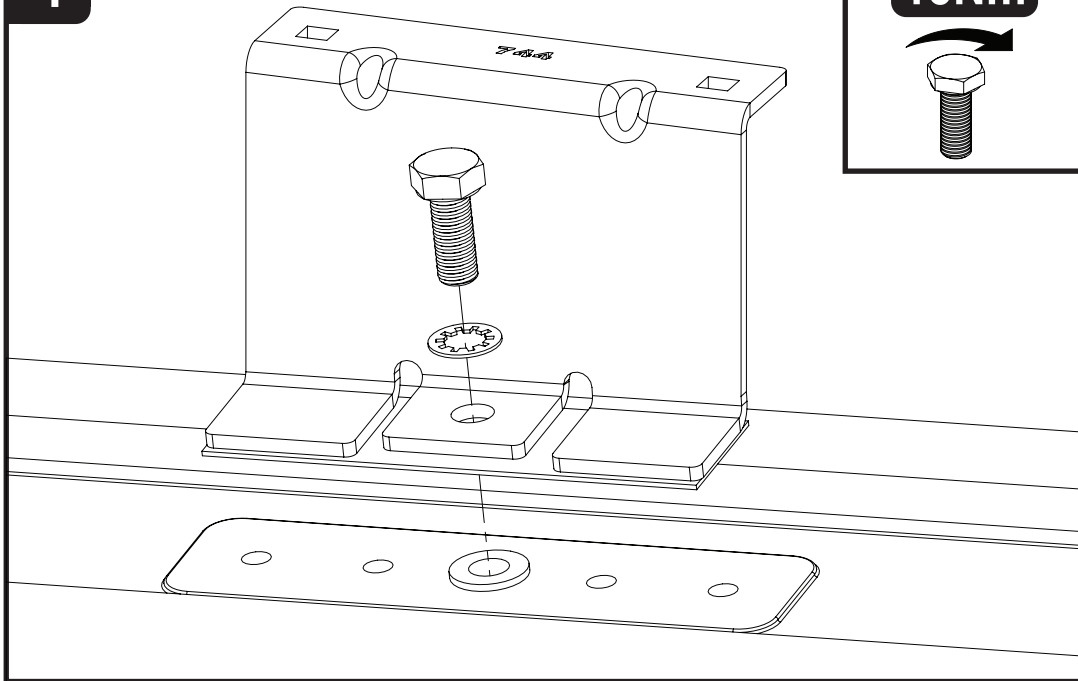
3



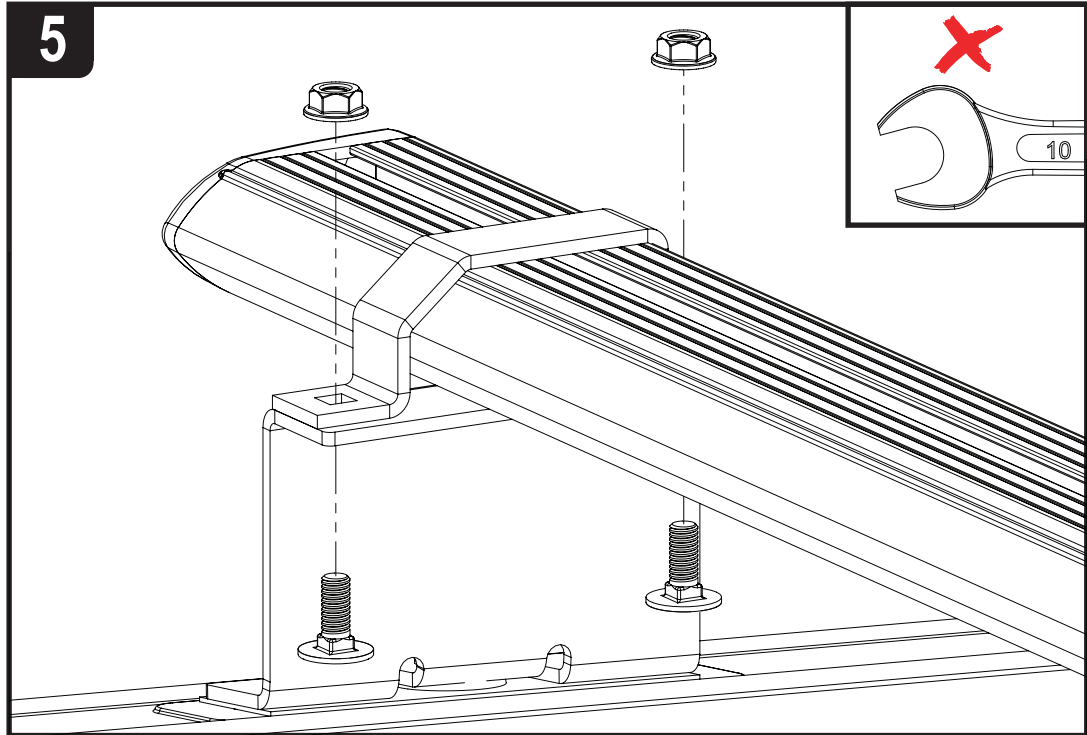
FLAT HEAD



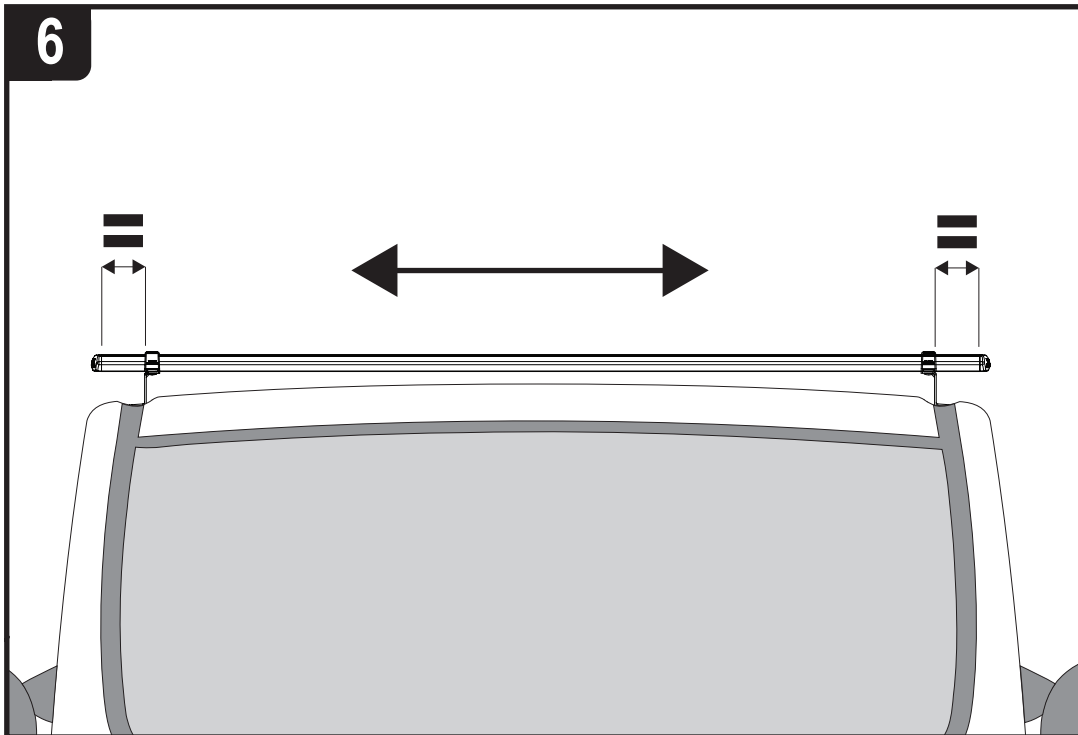
4



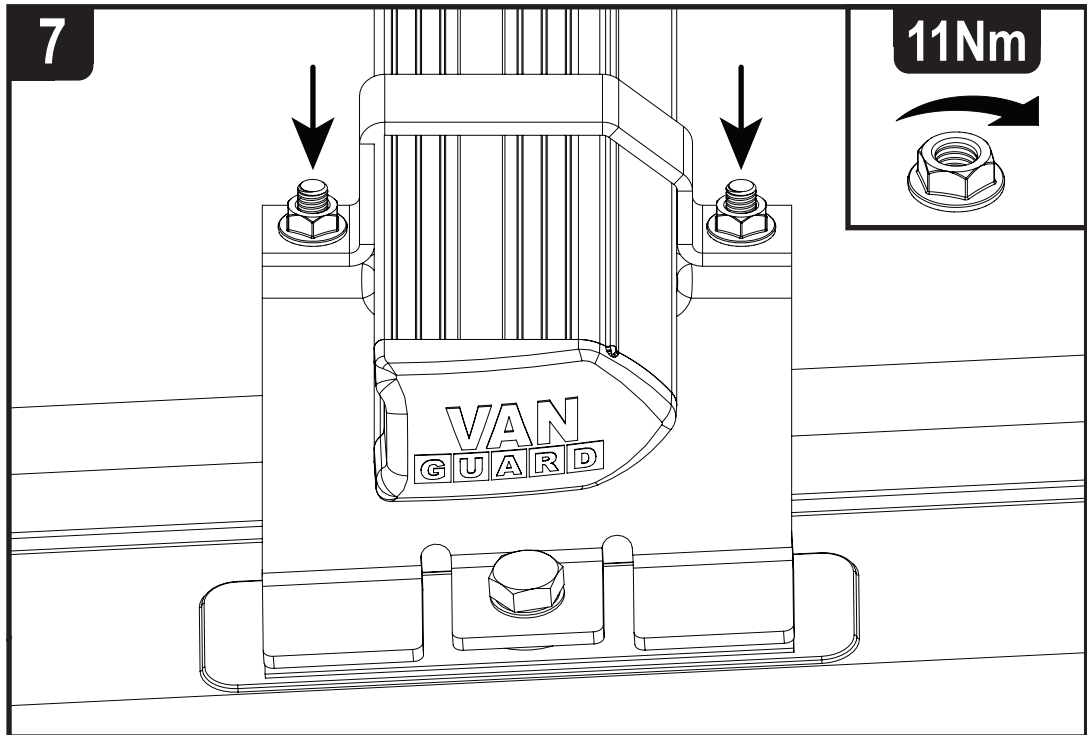
5

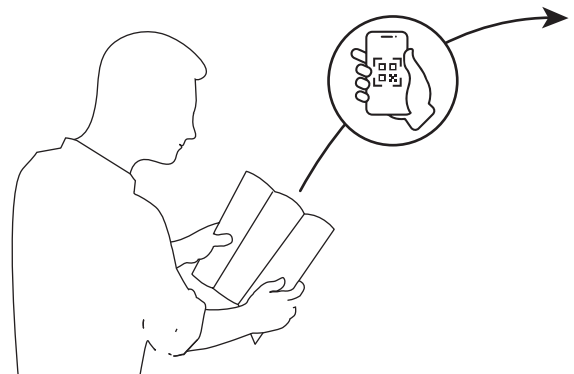
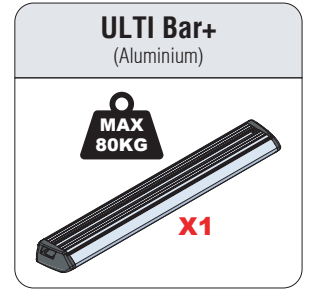
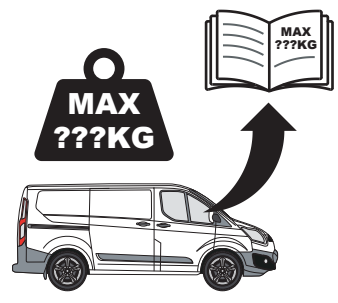
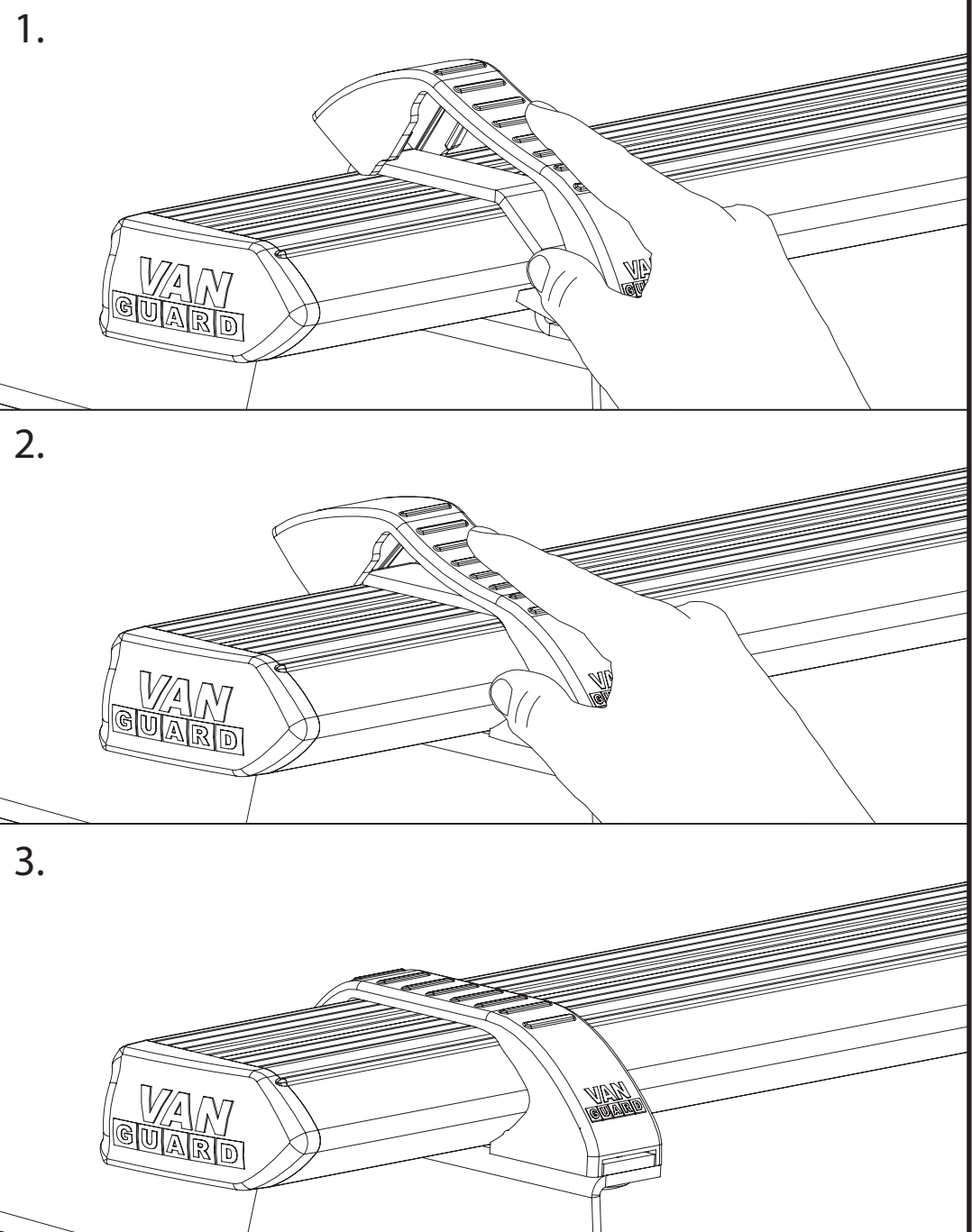


6



7





- EN - SAFETY AND PRODUCT INFORMATION
- DE - SICHERHEITS- UND PRODUKTINFORMATIONEN
- FR - INFORMATIONS DE SÉCURITÉ ET DU PRODUIT
- NL - VEILIGHEIDS- EN PRODUCTINFORMATIE
- ES - INFORMACIÓN DE SEGURIDAD Y DEL PRODUCTO
- IT - INFORMAZIONI SULLA SICUREZZA E SUL PRODOTTO
- SV - SÄKERHETS- OCH PRODUKTINFORMATION
- DA - SIKKERHEDS- OG PRODUKTINFORMATION
- NO - SIKKERHETS- OG PRODUKTINFORMASJON
- PL - INFORMACJE O BEZPIECZENSTWIE I PRODUKCJE
- CS - INFORMACE O BEZPEČNOSTI A PRODUKTU