
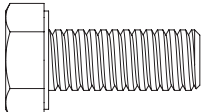
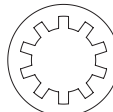
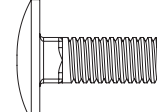
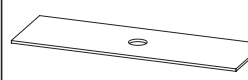
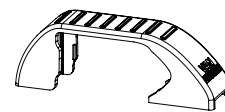
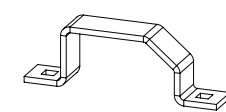
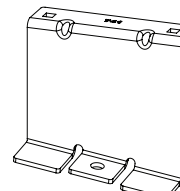
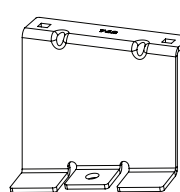
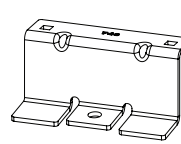
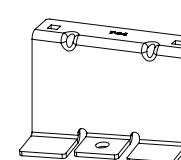
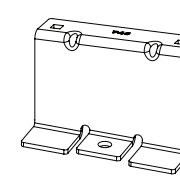


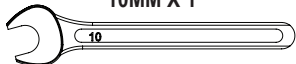
# IN8091

## ULTI Bars - X3

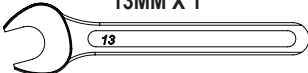
<p><b>FX4016 X12</b> (M6)</p> 	<p><b>FX4018 X6</b> (M8X20)</p> 	<p><b>FX4019 X6</b> (M8)</p> 	<p><b>FX4042 X12</b> (M6X16)</p> 	<p><b>MA6018 X6</b></p> 	<p><b>MA6065 X6</b></p> 	<p><b>ME0203 X6</b></p> 	<p><b>ME0741 X1</b></p> 
<p><b>ME0742 X1</b></p> 	<p><b>ME0743 X2</b></p> 	<p><b>ME0744 X1</b></p> 	<p><b>ME0745 X1</b></p> 				

### TOOLS REQUIRED

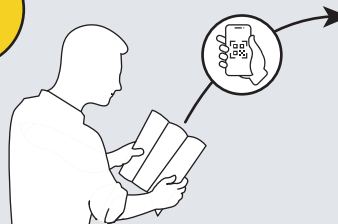
10MM X 1



13MM X 1



FLAT HEAD SCREWDRIVER X 1

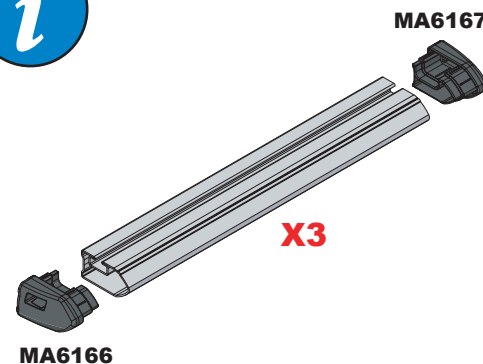


EN - SAFETY AND PRODUCT INFORMATION  
 DE - SICHERHEITS- UND PRODUKTINFORMATIONEN  
 FR - INFORMATIONS DE SÉCURITÉ ET DU PRODUIT  
 NL - VEILIGHEIDS- EN PRODUCTINFORMATIE  
 ES - INFORMACIÓN DE SEGURIDAD Y DEL PRODUCTO  
 IT - INFORMAZIONI SULLA SICUREZZA E SUL PRODOTTO

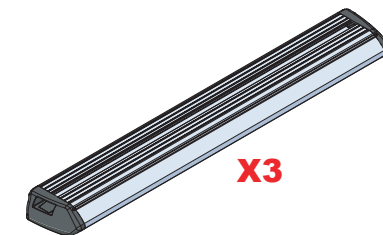
SV - SÄKERHETS- OCH PRODUKTINFORMATION  
 DA - SIKKERHEDS- OG PRODUKTINFORMATION  
 NO - SIKKERHETS- OG PRODUKTINFORMASJON  
 PL - INFORMACJE O BEZPIECZENSTWIE I PRODUKCIE  
 CS - INFORMACE O BEZPEČNOSTI A PRODUKTU



**Customercare@van-guard.co.uk**  
**UK +44 (0) 1392 368 351**



**ULTI Bar Trade**  
(Steel)



**ULTI Bar+**  
(Aluminium)

This FITTING INSTRUCTION is the property of VAN GUARD ACCESSORIES LTD. and must not be used for manufacturing purposes, copied nor communicated in any way to third parties without written permission from VAN GUARD ACCESSORIES LTD.

IN8091\_G (CN:00138)

Van Guard Accessories Ltd  
 Fair Oak Close, Exeter Airport Business Park,  
 Exeter, Devon, EX5 2UL  
[www.van-guard.co.uk](http://www.van-guard.co.uk)

## 271-3

**Vehicle:**

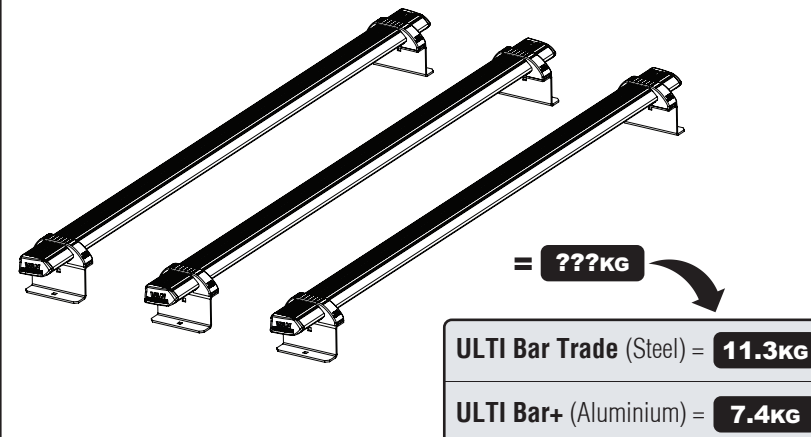
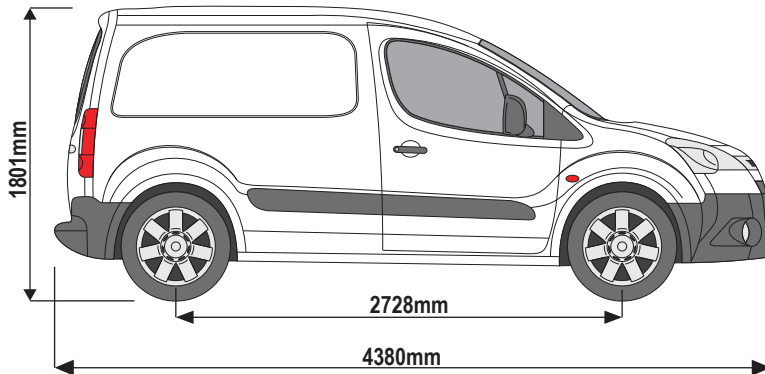
Citroen Berlingo: 2008 - 2018

Peugeot Partner: 2008 - 2018

**Wheel Base:** SWB (L1)

**Roof Height:** Standard (H1)

**Rear Doors:** Twin / Tailgate



## 271-3

**Vehicle:**

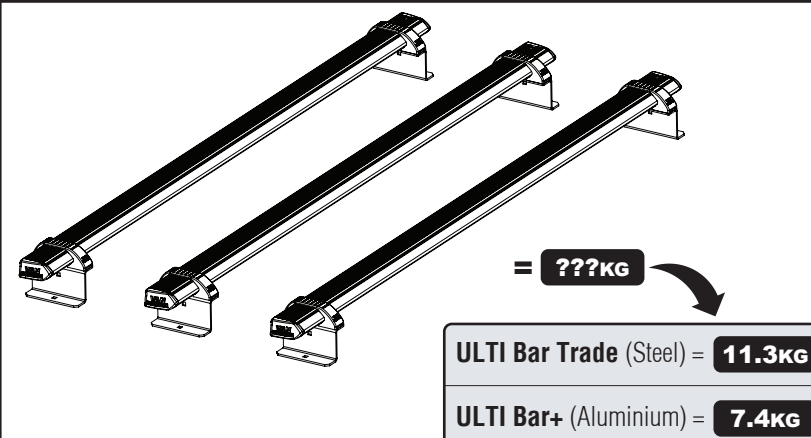
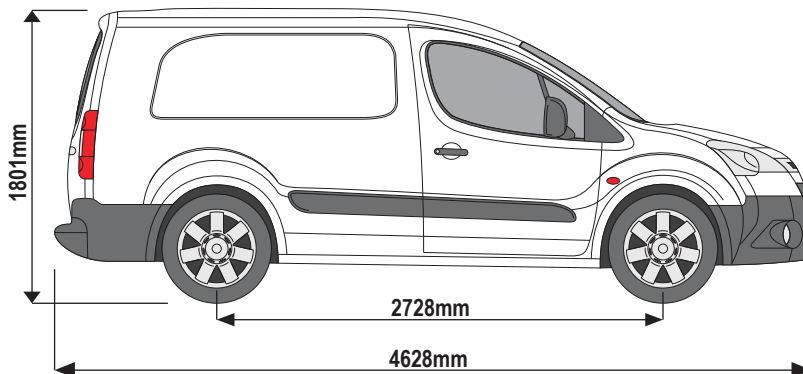
Citroen Berlingo: 2008 - 2018

Peugeot Partner: 2008 - 2018

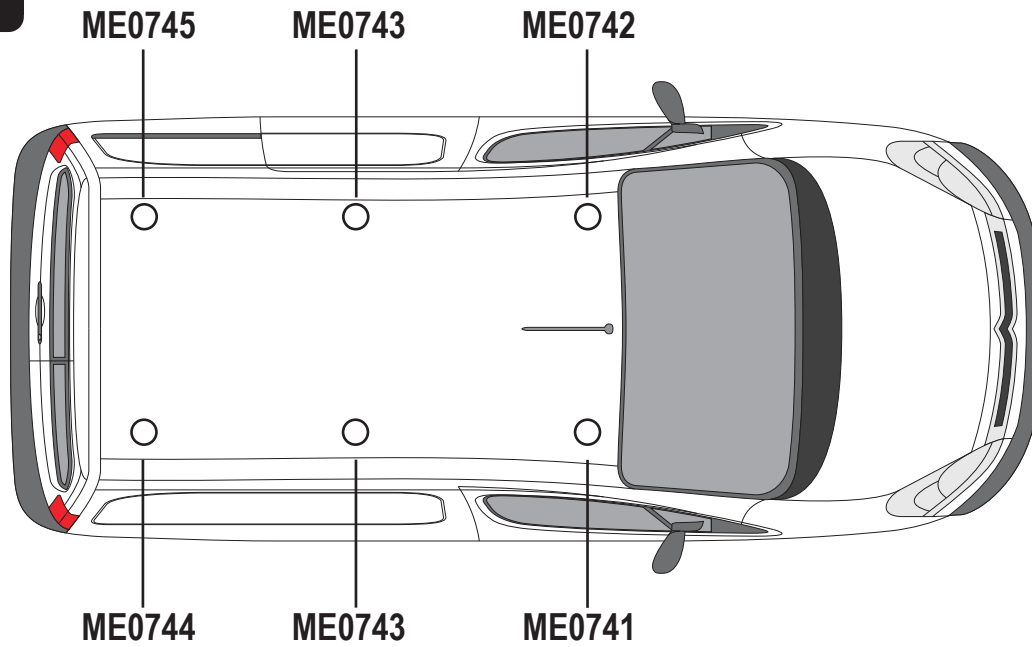
**Wheel Base:** LWB (L2)

**Roof Height:** Standard (H1)

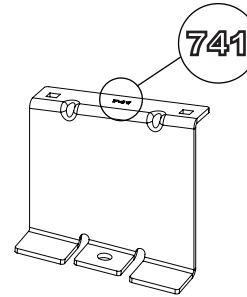
**Rear Doors:** Twin / Tailgate



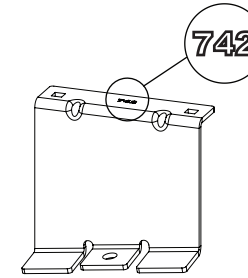
1



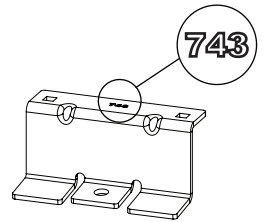
ME0741



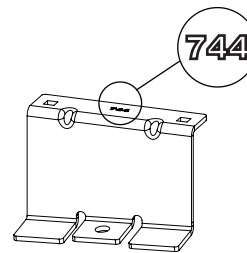
ME0742



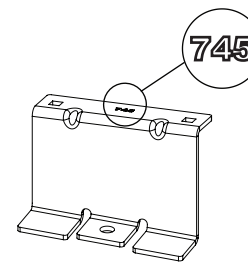
ME0743



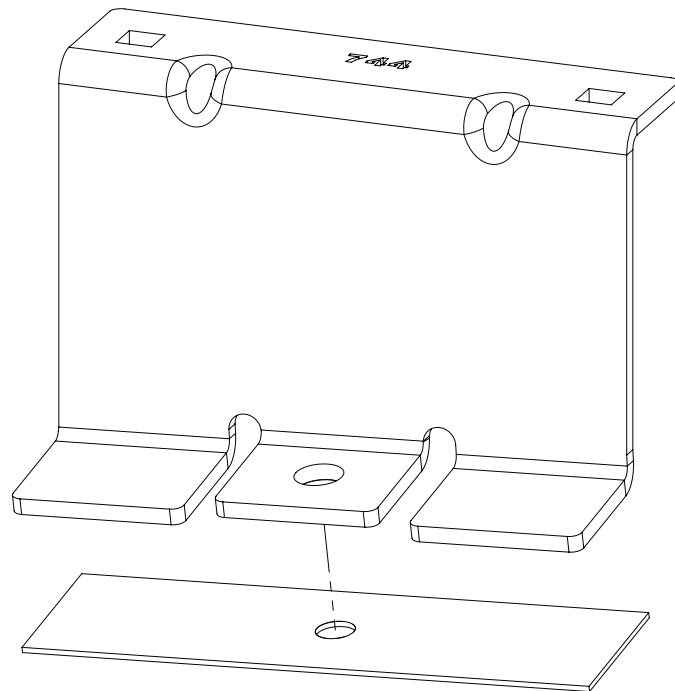
ME0744



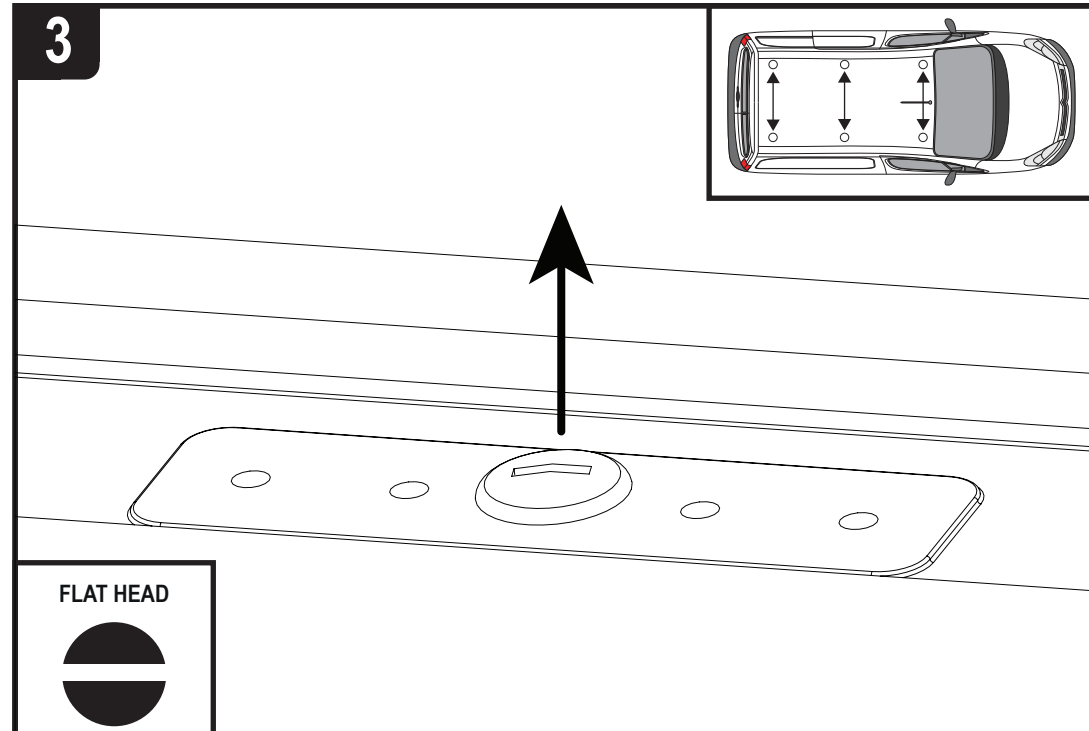
ME0745



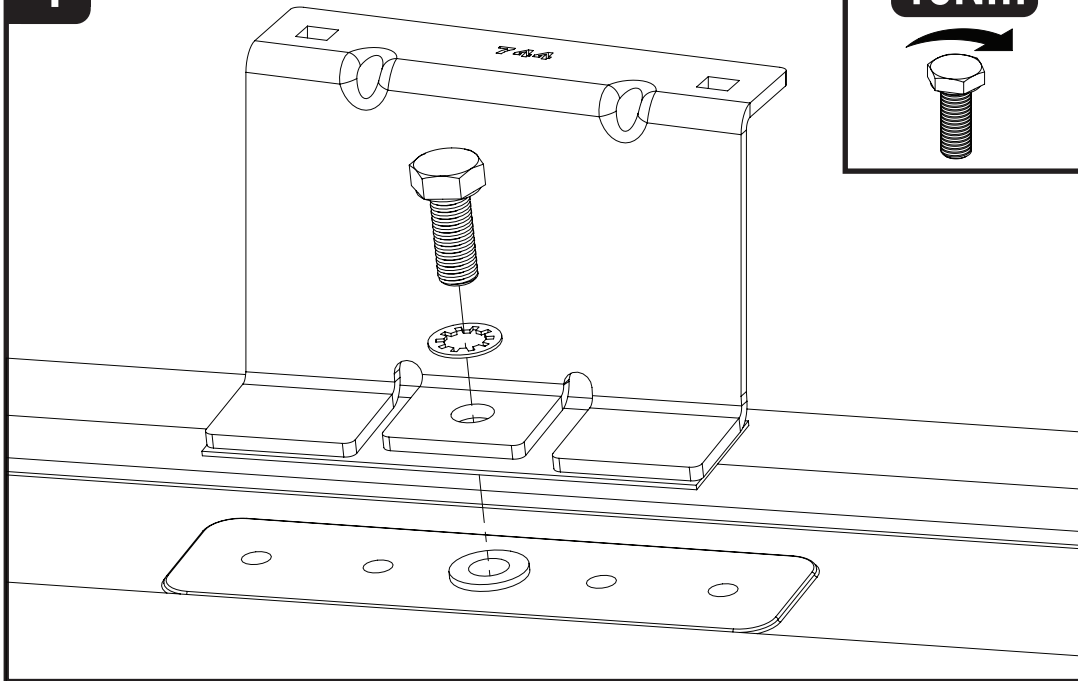
2



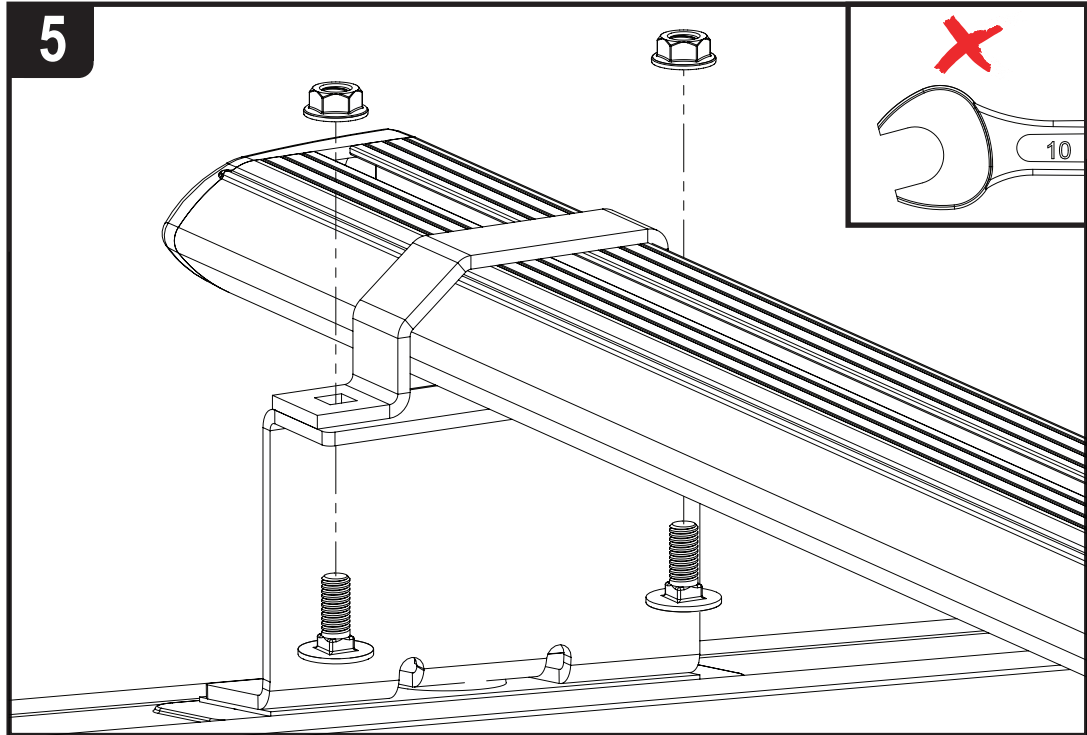
3



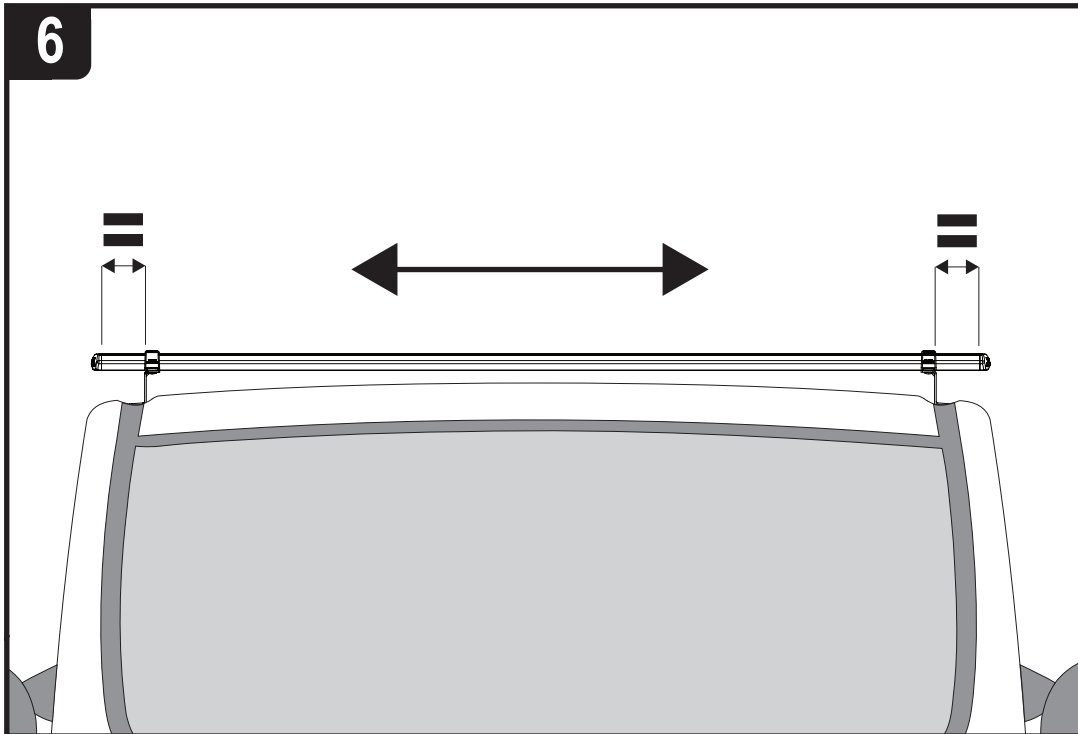
4



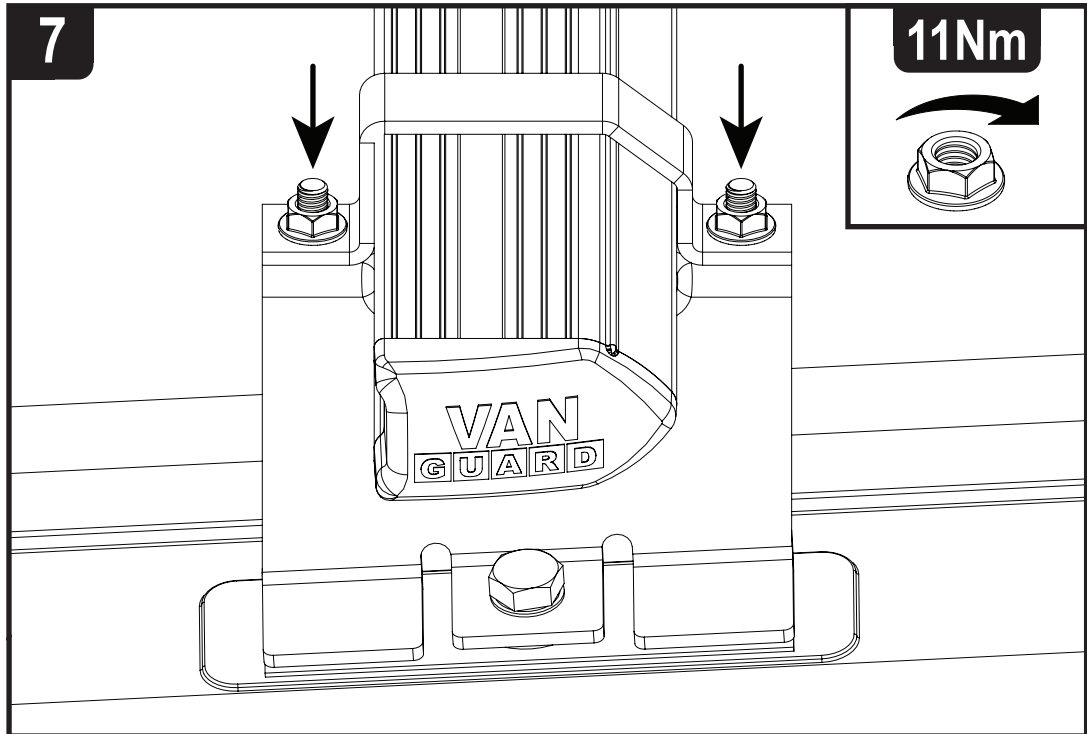
5

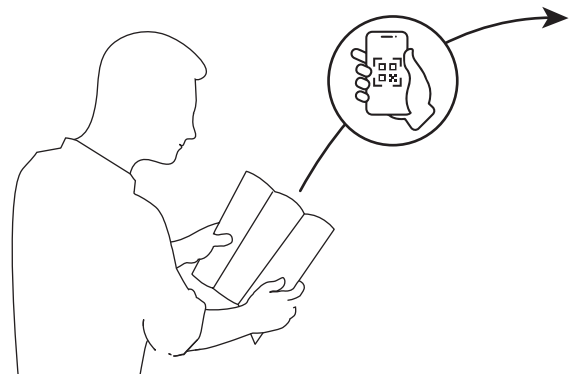
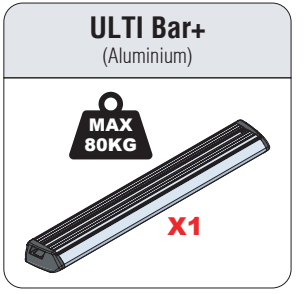
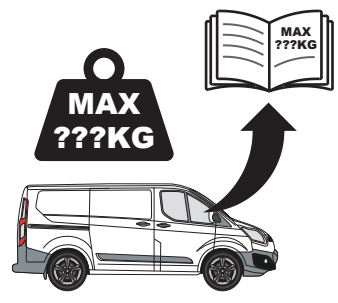
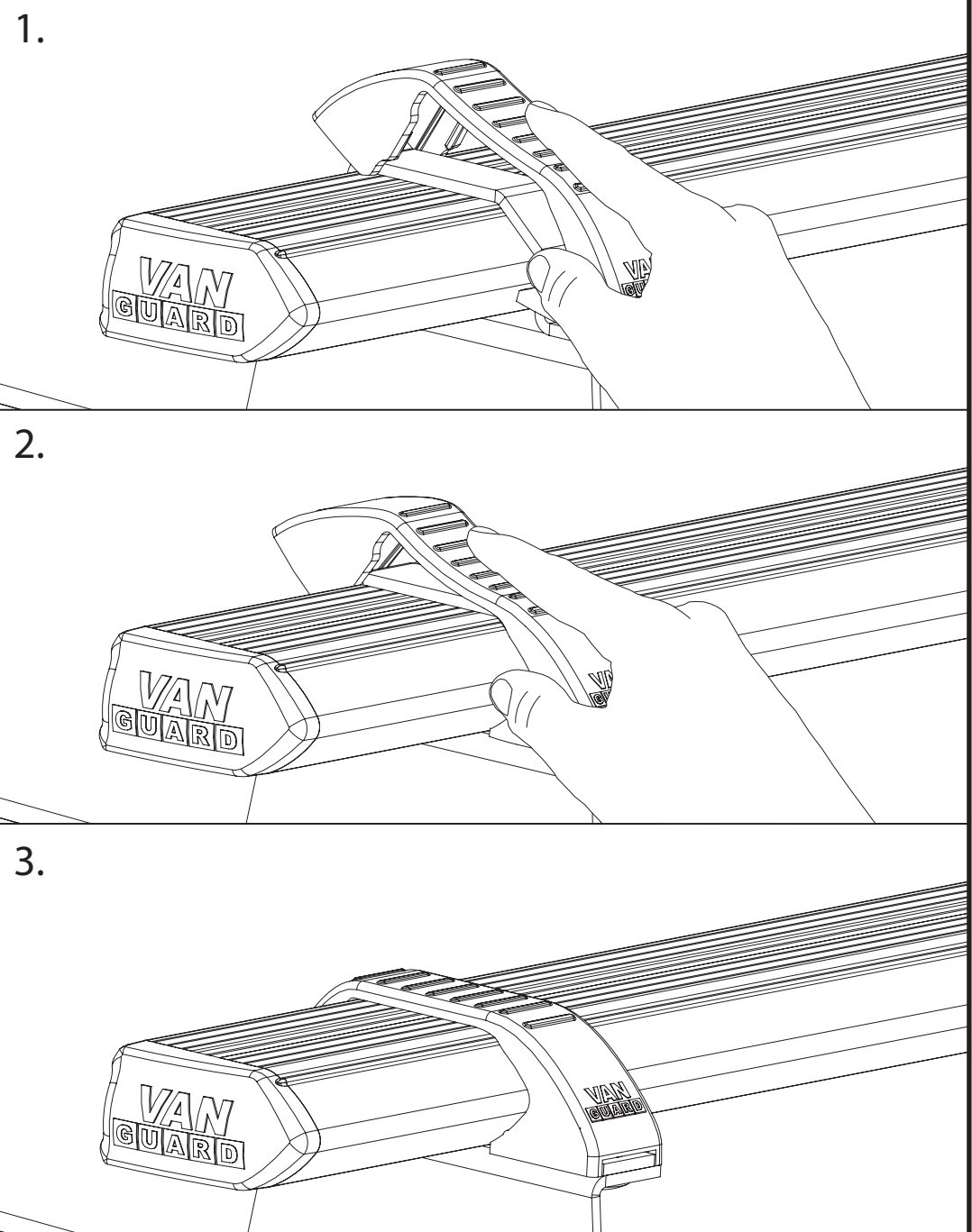


6



7





**EN** - SAFETY AND PRODUCT INFORMATION  
**DE** - SICHERHEITS- UND PRODUKTINFORMATIONEN  
**FR** - INFORMATIONS DE SÉCURITÉ ET DU PRODUIT  
**NL** - VEILIGHEIDS- EN PRODUCTINFORMATIE  
**ES** - INFORMACIÓN DE SEGURIDAD Y DEL PRODUCTO  
**IT** - INFORMAZIONI SULLA SICUREZZA E SUL PRODOTTO

**SV** - SÄKERHETS- OCH PRODUKTINFORMATION  
**DA** - SIKKERHEDS- OG PRODUKTINFORMATION  
**NO** - SIKKERHETS- OG PRODUKTINFORMASJON  
**PL** - INFORMACJE O BEZPIECZENSTWIE I PRODUKCJE  
**CS** - INFORMACE O BEZPEČNOSTI A PRODUKTU