

**IN8099**

**ULTI Bars - X2**

<b>FX4011 X8</b> (M8)	<b>FX4014 X8</b> (RUBBER)	<b>FX4016 X8</b> (M6)	<b>FX4013 X8</b> (M6)	<b>FX4020 X8</b> (M8)	<b>FX4024 X8</b> (M8X40)	<b>FX4025 X8</b> (M6)	<b>FX4026 X8</b> (M6X20)	<b>FX4042 X8</b> (M6)
<b>MA6021 X8</b>	<b>MA6065 X4</b>	<b>ME0064 X2</b>	<b>ME0065 X1</b>	<b>ME0066 X1</b>	<b>ME0203 X4</b>	<b>ME0759 X4</b>		

**TOOLS REQUIRED**

10MM X 1

13MM X 2

EN - SAFETY AND PRODUCT INFORMATION  
 DE - SICHERHEITS- UND PRODUKTINFORMATIONEN  
 FR - INFORMATIONS DE SÉCURITÉ ET DU PRODUIT  
 NL - VEILIGHEIDS- EN PRODUCTINFORMATIE  
 ES - INFORMACIÓN DE SEGURIDAD Y DEL PRODUCTO  
 IT - INFORMAZIONI SULLA SICUREZZA E SUL PRODOTTO

SV - SÄKERHETS- OCH PRODUKTINFORMATION  
 DA - SIKKERHETS- OG PRODUKTINFORMATION  
 NO - SIKKERHETS- OG PRODUKTINFORMASJON  
 PL - INFORMACJE O BEZPIECZENSTWIE I PRODUKCJE  
 CS - INFORMACE O BEZPEČNOSTI A PRODUKTU

**Customercare@van-guard.co.uk**  
**UK +44 (0) 1392 368 351**

**MA6166**

**MA6167**

**X2**

**ULTI Bar Trade**  
(Steel)

**X2**

**ULTI Bar+**  
(Aluminium)

## 286-2

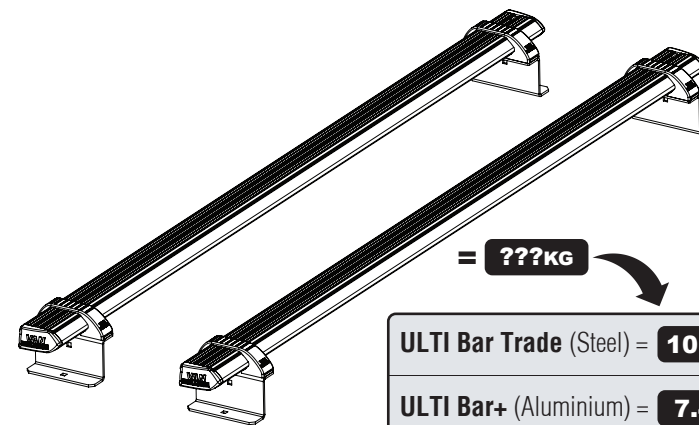
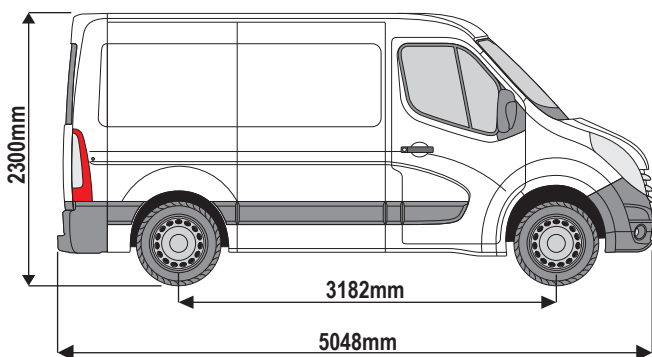
**Vehicle:**

Nissan NV400: 2010-2021  
 Nissan Interstar: 2022 on  
 Renault Master: 2010 on  
 Vauxhall Movano: 2010-2021

**Wheel Base:** SWB (L1)

**Roof Height:** Low (H1)

**Rear Doors:** Twin



## 286-2

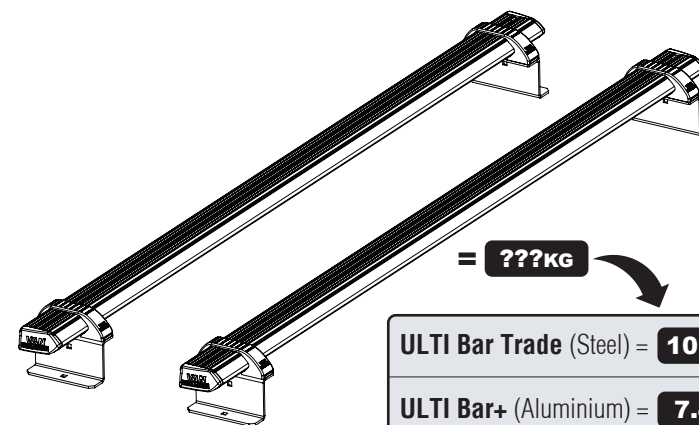
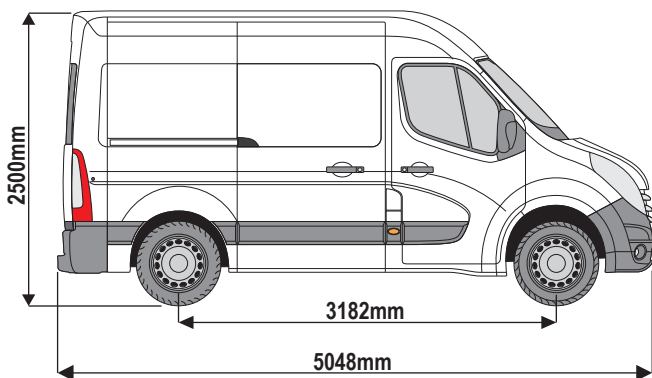
**Vehicle:**

Nissan NV400: 2010-2021  
 Nissan Interstar: 2022 on  
 Renault Master: 2010 on  
 Vauxhall Movano: 2010-2021

**Wheel Base:** SWB (L1)

**Roof Height:** Medium (H2)

**Rear Doors:** Twin



## 286-2

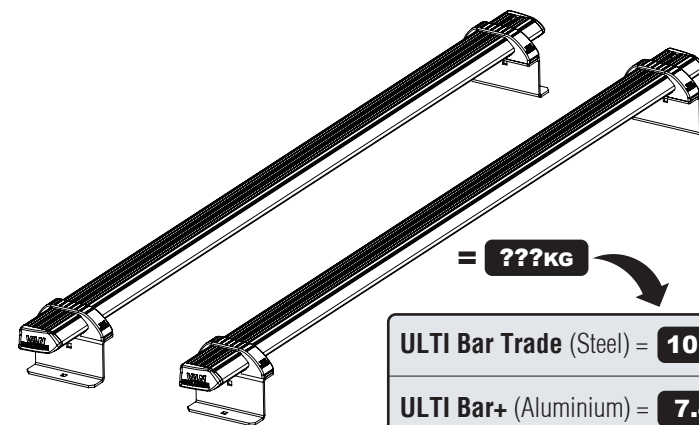
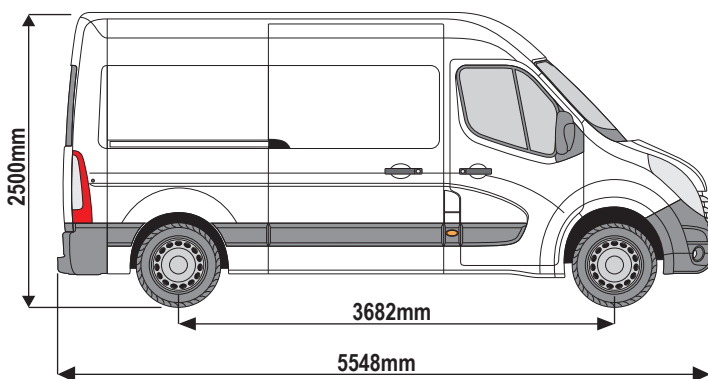
**Vehicle:**

Nissan NV400: 2010-2021  
 Nissan Interstar: 2022 on  
 Renault Master: 2010 on  
 Vauxhall Movano: 2010-2021

**Wheel Base:** MWB (L2)

**Roof Height:** Medium (H2)

**Rear Doors:** Twin



## 286-2

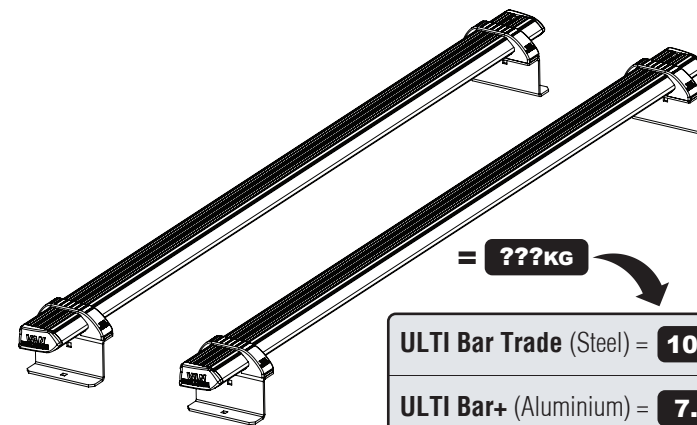
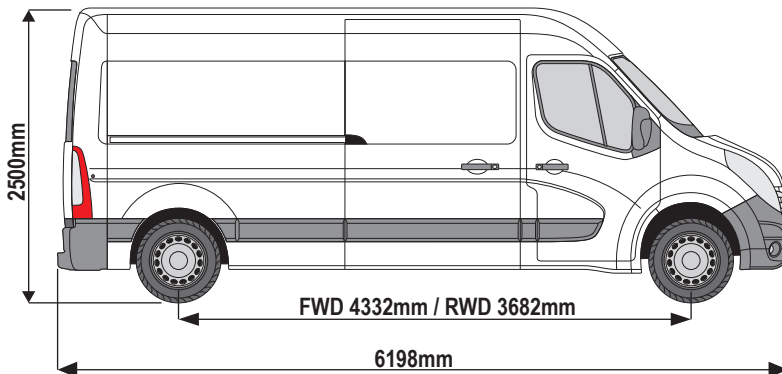
### Vehicle:

Nissan NV400: 2010-2021  
 Nissan Interstar: 2022 on  
 Renault Master: 2010 on  
 Vauxhall Movano: 2010-2021

**Wheel Base:** LWB (L3)

**Roof Height:** Medium (H2)

**Rear Doors:** Twin



## 286-2

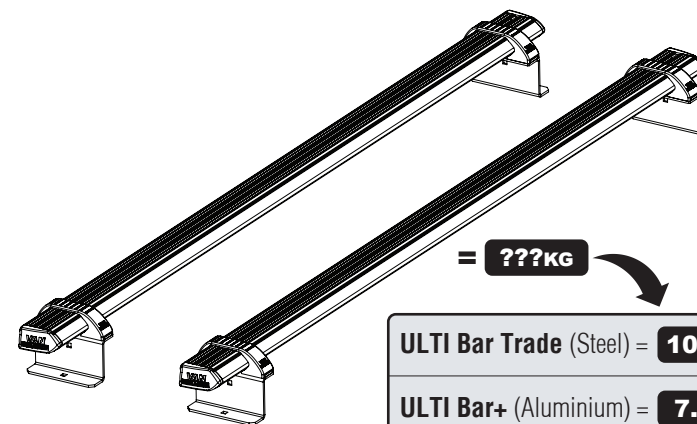
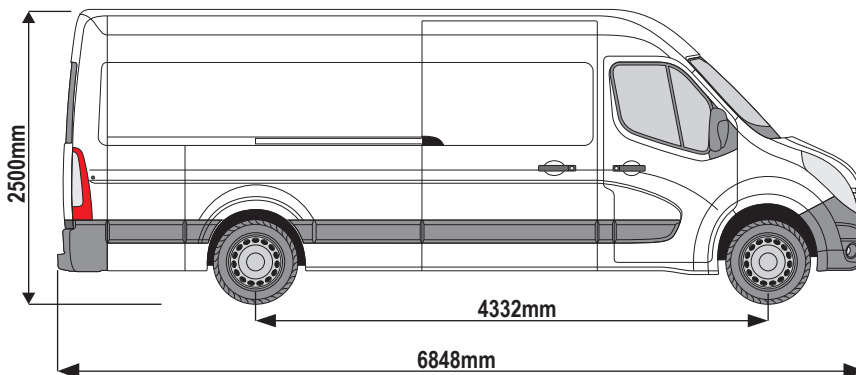
### Vehicle:

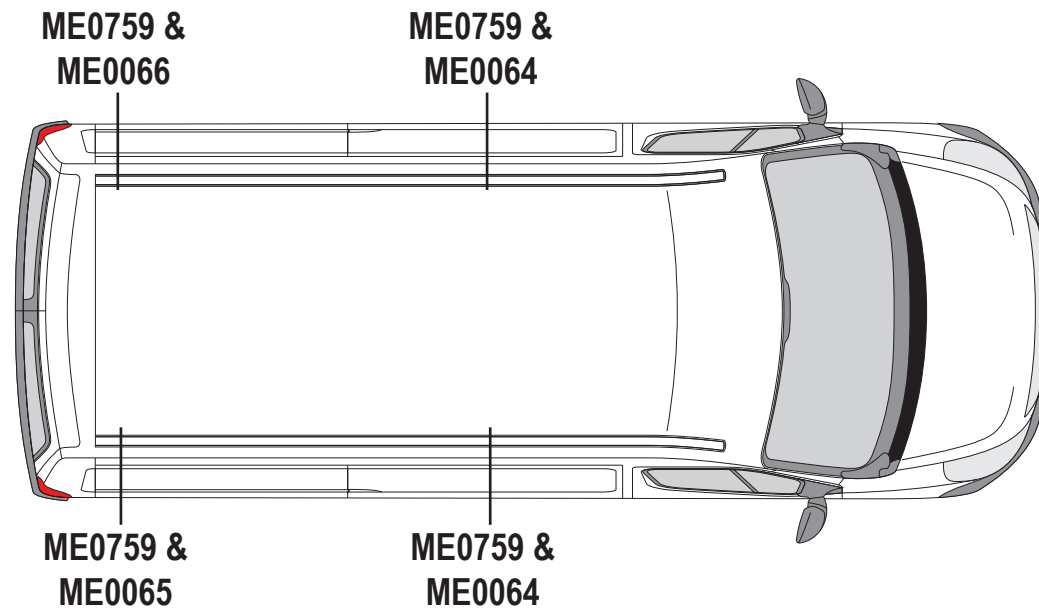
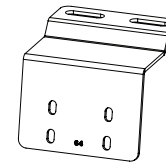
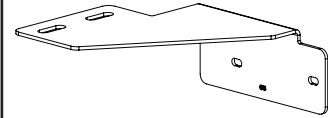
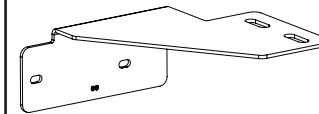
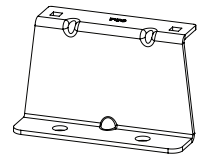
Nissan NV400: 2010-2021  
 Nissan Interstar: 2022 on  
 Renault Master: 2010 on  
 Vauxhall Movano: 2010-2021

**Wheel Base:** XLWB (L4)

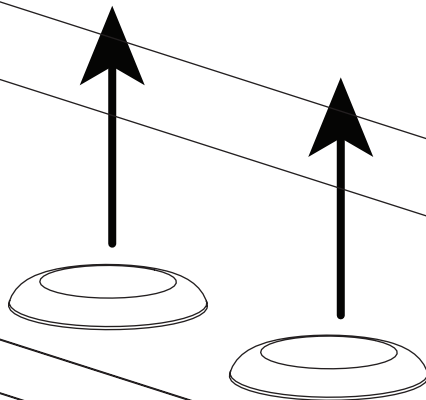
**Roof Height:** Medium (H2)

**Rear Doors:** Twin

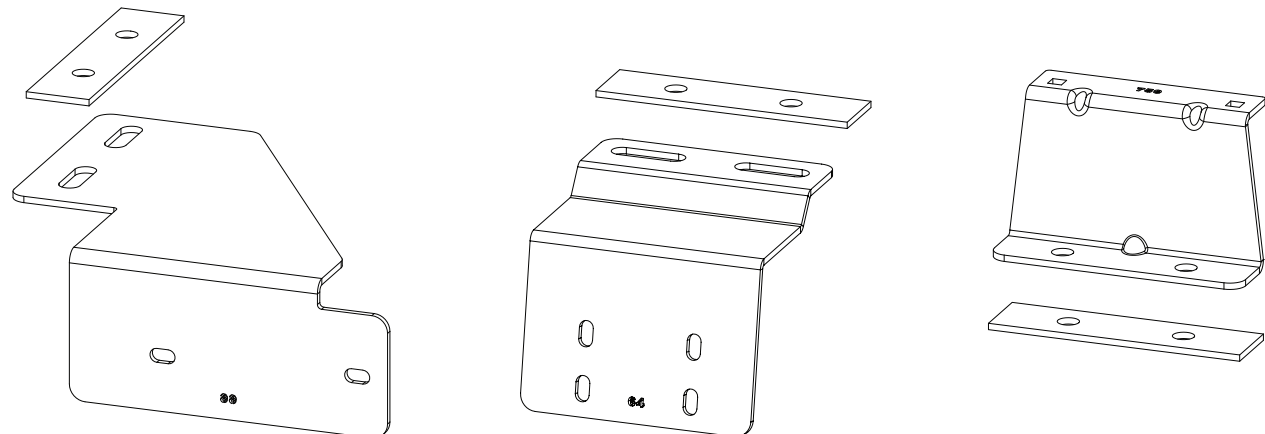


**1****ME0064****ME0065****ME0066****ME0759****2**

Remove roof plugs to reveal the vehicles fixing points.

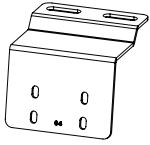
**3**

Stick rubber pads to all roof brackets.

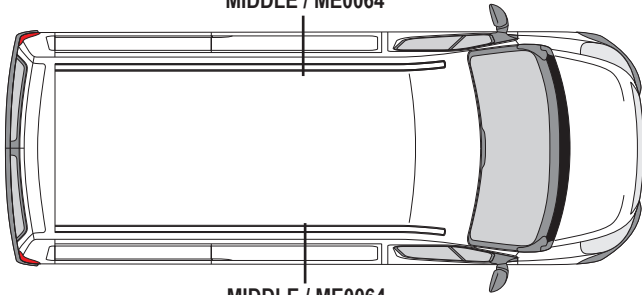


**4**

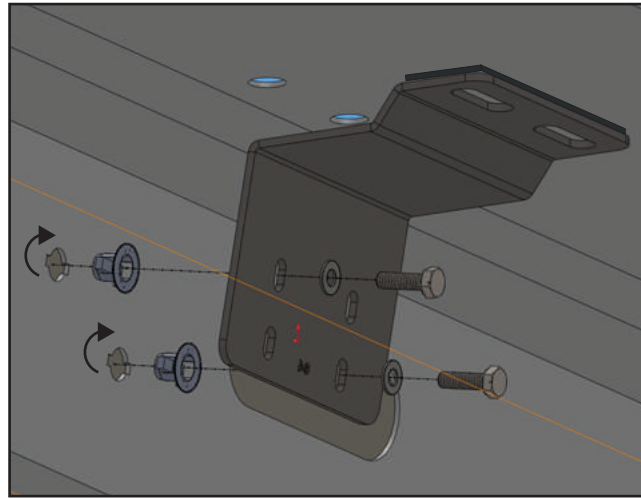
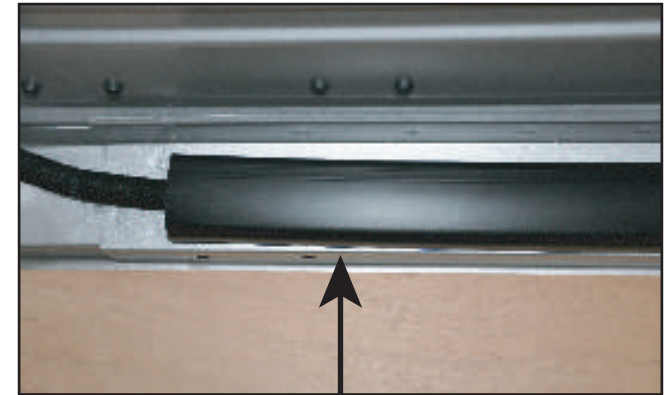
Loosely secure the middle inner fixing brackets to the inside of the vehicle by inserting the M6 1/4 turn nut inserts (FX4025) into the positions shown in FIG.1. Then place the middle inner bracket into place and loosely bolt into the M6 1/4 turn inserts using M6x20 hex bolts and M6 washers. Please note the cable trim (shown in FIG.2) may have to be removed. This trim can be refitted after the inner bracket has been secured.

**MIDDLE (ME0064)**

MIDDLE / ME0064



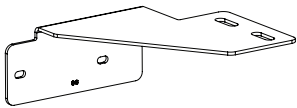
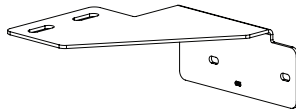
MIDDLE / ME0064

**FIG.1****FIG.2**

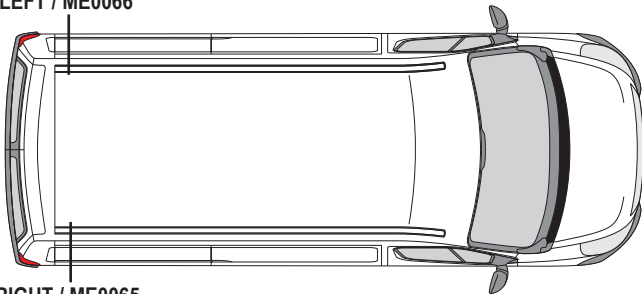
TRIM MAY NEED REMOVING BEFORE FITTING. THIS CAN BE RE-FITTED AFTWARDS.

**5**

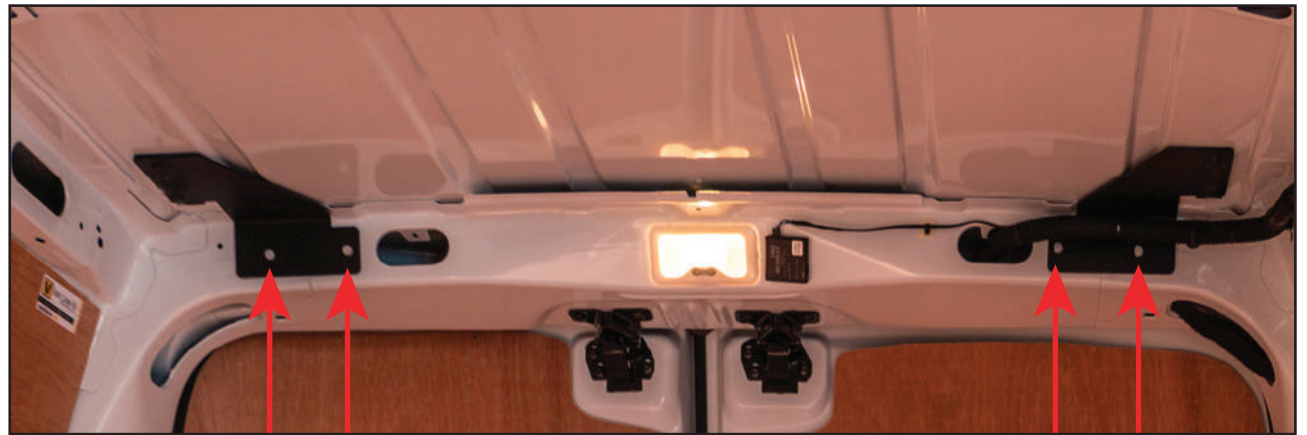
Loosely secure the rear inner fixing brackets to the inside of the vehicle by inserting the M6 1/4 turn nut inserts (FX4025) into the positions shown below. Then place the rear inner bracket in position and loosely bolt into the M6 1/4 turn inserts using M6x20 hex bolts and M6 washers.

**LEFT (ME0066)****RIGHT (ME0065)**

LEFT / ME0066



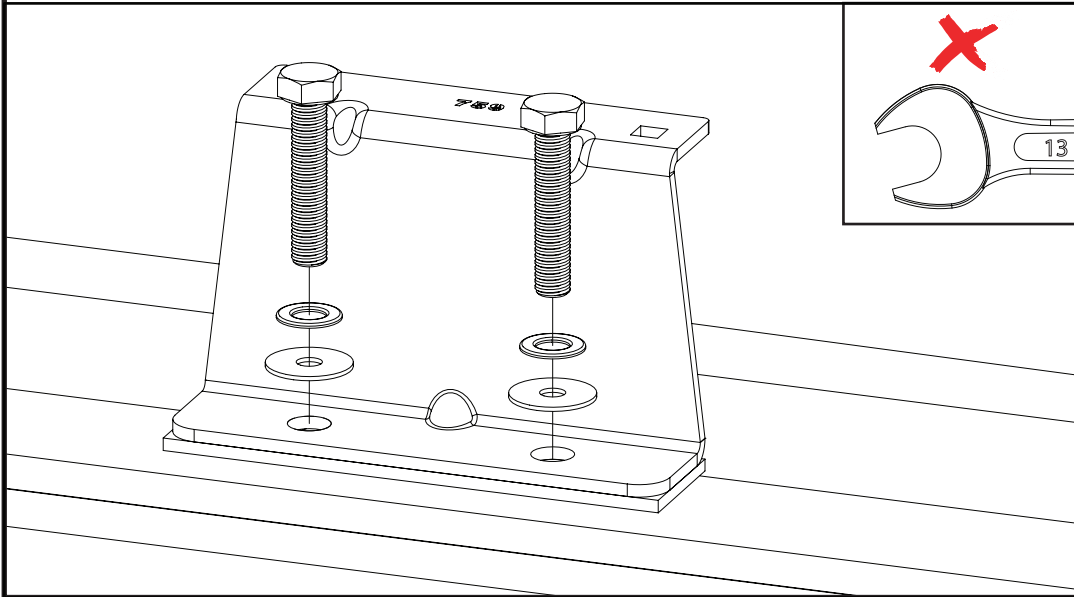
RIGHT / ME0065



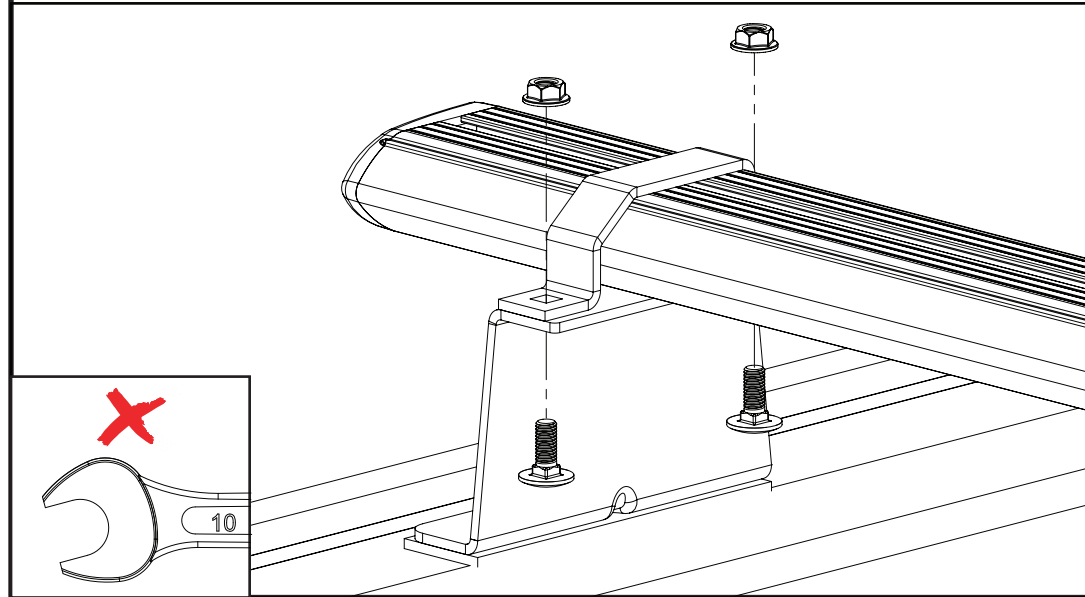
M6 1/4 TURN NUT INSERT LOCATIONS

M6 1/4 TURN NUT INSERT LOCATIONS

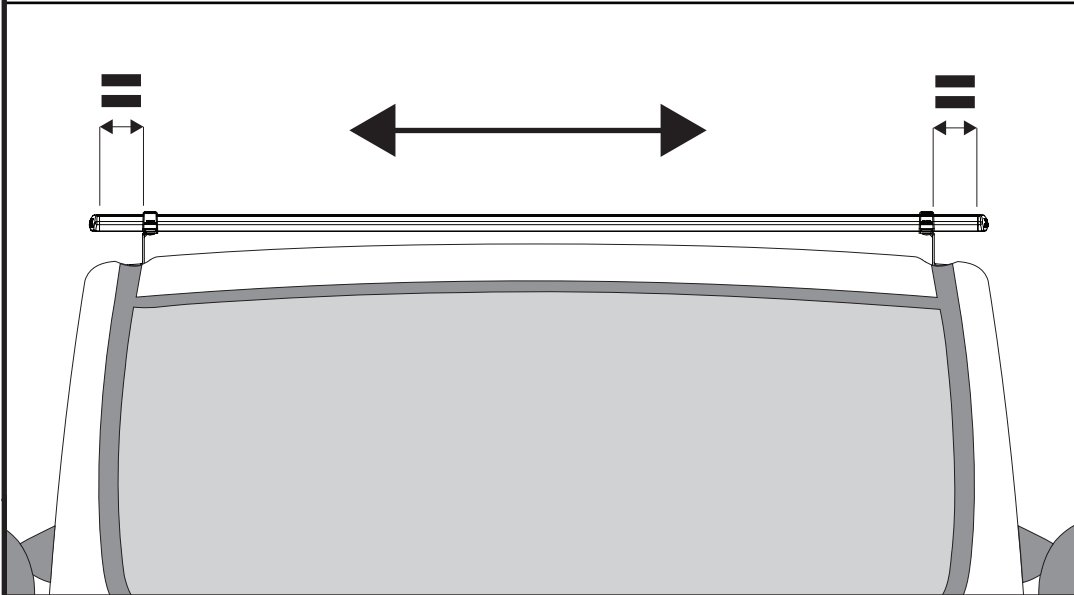
**6** Place the roof brackets onto the roof and bolt down through the fixing points and through the inner fixing brackets using M8X40 hex bolts, M8 washers & rubber washers.



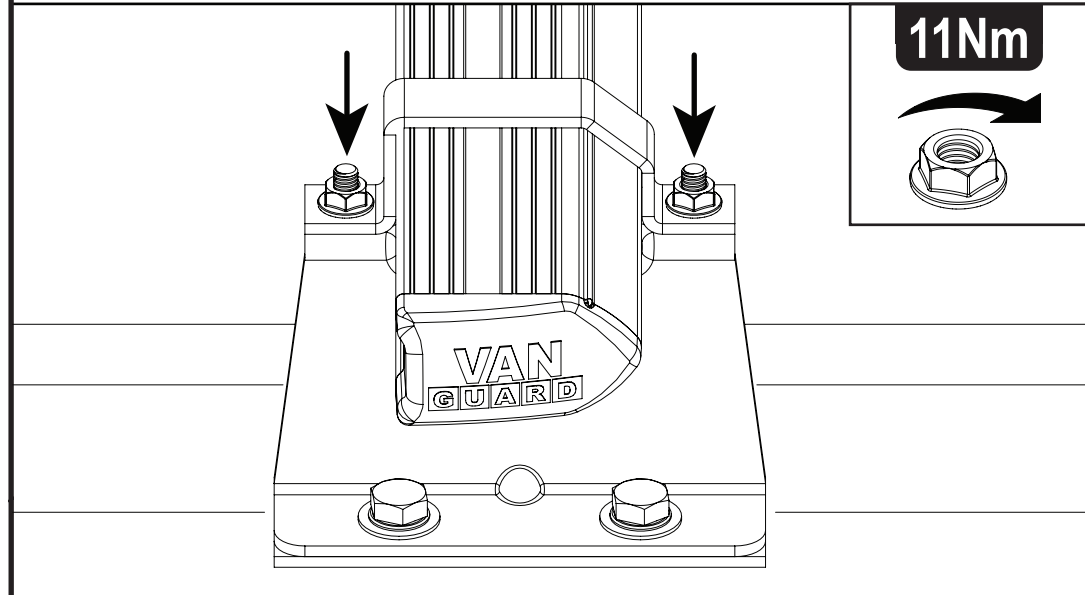
**7** Place the roof bars onto the roof brackets and loosely secure using M6X16 coach bolts & M6 flange nuts.



**8** Adjust the roof bars to ensure that they are evenly spaced on the vehicle.

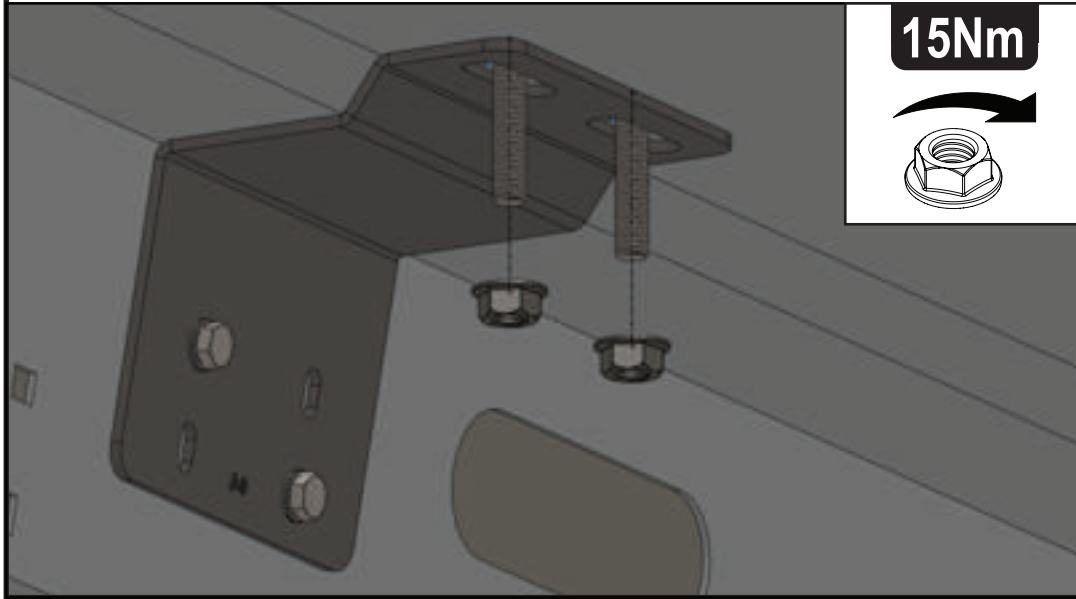


**9** Tighten the roof bar fixings to 8Nm.

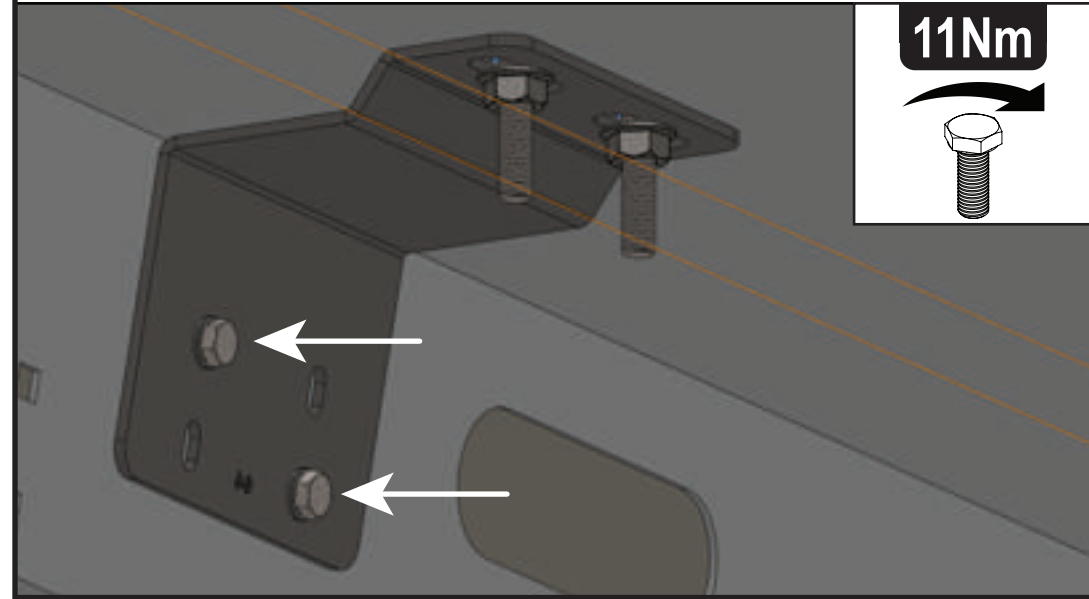




**10** Secure the roof brackets to the inner fixing brackets using M8 flange nuts and tighten to 12Nm.

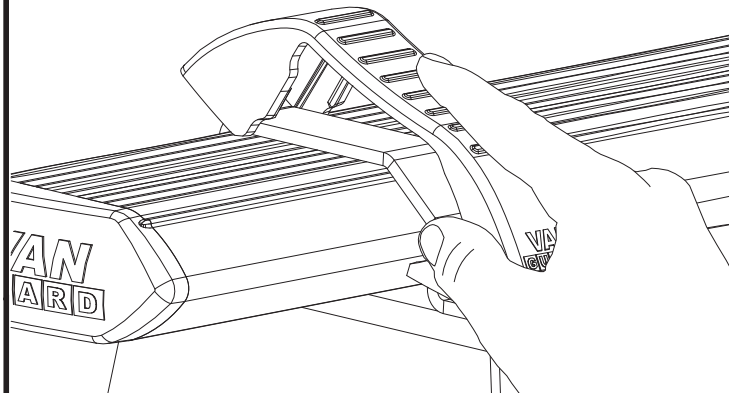


**11** Tighten the M6 fixings on all inner fixing brackets to 8Nm.

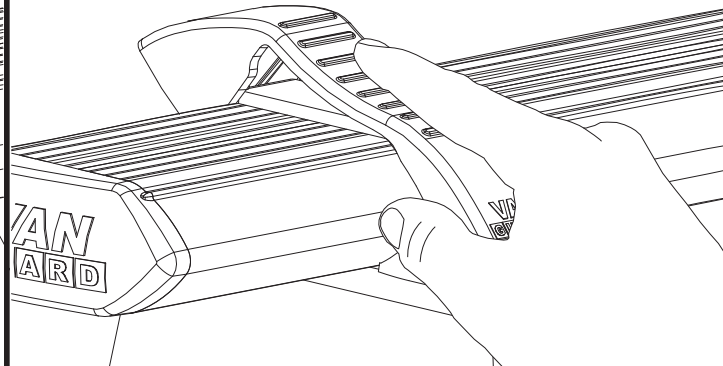


**12**

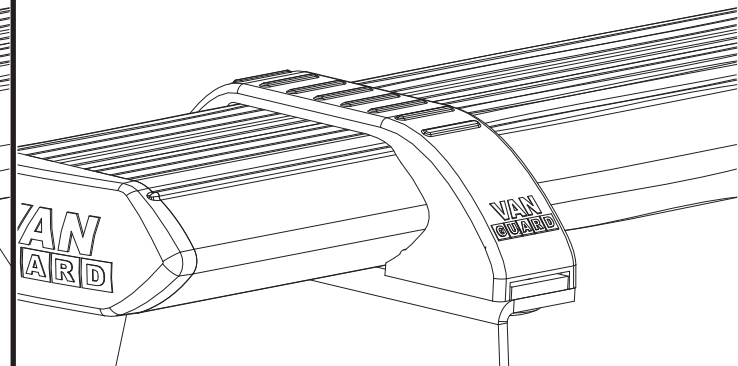
1.

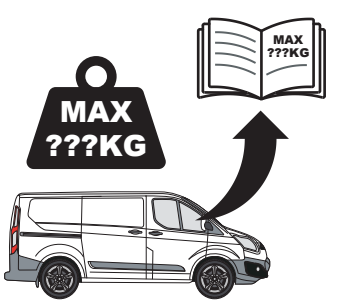


2.



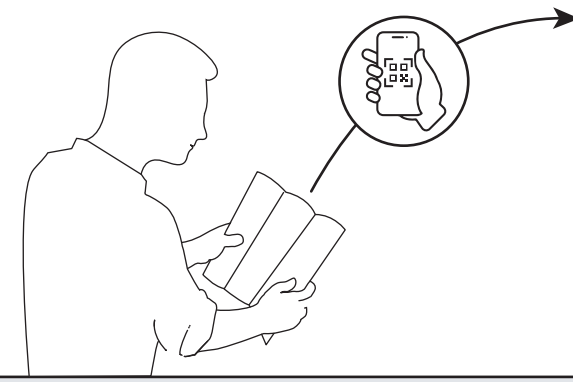
3.





**MAX  
???KG**

<b>ULTI Bar Trade</b> <small>(Steel)</small>	<b>ULTI Bar+</b> <small>(Aluminium)</small>
 <b>X1</b>	 <b>X1</b>



<p><b>EN</b> - SAFETY AND PRODUCT INFORMATION</p> <p><b>DE</b> - SICHERHEITS- UND PRODUKTINFORMATIONEN</p> <p><b>FR</b> - INFORMATIONS DE SÉCURITÉ ET DU PRODUIT</p> <p><b>NL</b> - VEILIGHEIDS- EN PRODUCTINFORMATIE</p> <p><b>ES</b> - INFORMACIÓN DE SEGURIDAD Y DEL PRODUCTO</p> <p><b>IT</b> - INFORMAZIONI SULLA SICUREZZA E SUL PRODOTTO</p>	<p><b>SV</b> - SÄKERHETS- OCH PRODUKTINFORMATION</p> <p><b>DA</b> - SIKKERHEDS- OG PRODUKTINFORMATION</p> <p><b>NO</b> - SIKKERHETS- OG PRODUKTINFORMASJON</p> <p><b>PL</b> - INFORMACJE O BEZPIECZENSTWIE I PRODUKCIE</p> <p><b>CS</b> - INFORMACE O BEZPEČNOSTI A PRODUKTU</p>
---	--