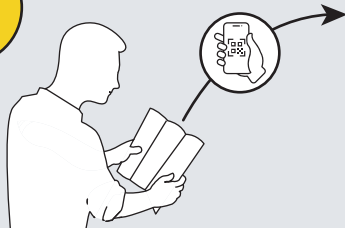
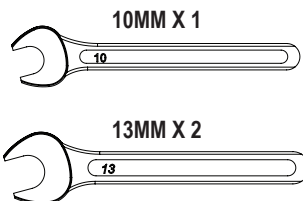


IN8101

ULTI Bars - X4

FX4011 X16 (M8)	FX4014 X16 (RUBBER)	FX4016 X16 (M6)	FX4013 X16 (M6)	FX4020 X16 (M8)	FX4024 X16 (M8X40)	FX4025 X16 (M6)	FX4026 X16 (M6X20)	FX4042 X16 (M6)
MA6021 X16	MA6065 X8	ME0062 X1	ME0063 X1	ME0064 X4	ME0065 X1	ME0066 X1	ME0203 X8	ME0759 X8

TOOLS REQUIRED

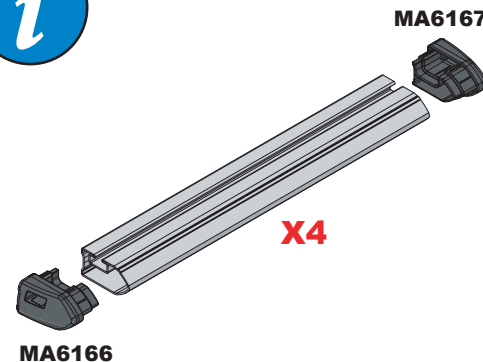


EN - SAFETY AND PRODUCT INFORMATION
 DE - SICHERHEITS- UND PRODUKTINFORMATIONEN
 FR - INFORMATIONS DE SÉCURITÉ ET DU PRODUIT
 NL - VEILIGHEIDS- EN PRODUCTINFORMATIE
 ES - INFORMACIÓN DE SEGURIDAD Y DEL PRODUCTO
 IT - INFORMAZIONI SULLA SICUREZZA E SUL PRODOTTO

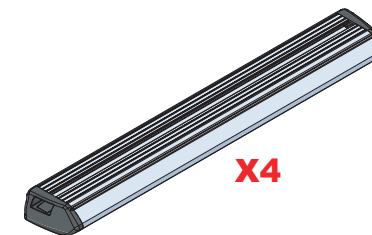
SV - SÄKERHETS- OCH PRODUKTINFORMATION
 DA - SIKKERHEDS- OG PRODUKTINFORMATION
 NO - SIKKERHETS- OG PRODUKTINFORMASJON
 PL - INFORMACJE O BEZPIECZENSTWIE I PRODUKCJE
 CS - INFORMACE O BEZPEČNOSTI A PRODUKTU



Customercare@van-guard.co.uk
UK +44 (0) 1392 368 351



ULTI Bar Trade
(Steel)



ULTI Bar+
(Aluminium)

This FITTING INSTRUCTION is the property of VAN GUARD ACCESSORIES LTD. and must not be used for manufacturing purposes, copied nor communicated in any way to third parties without written permission from VAN GUARD ACCESSORIES LTD.

IN8101_H (CN:00183)

Van Guard Accessories Ltd
 Fair Oak Close, Exeter Airport Business Park,
 Exeter, Devon, EX5 2UL

www.van-guard.co.uk

286-4

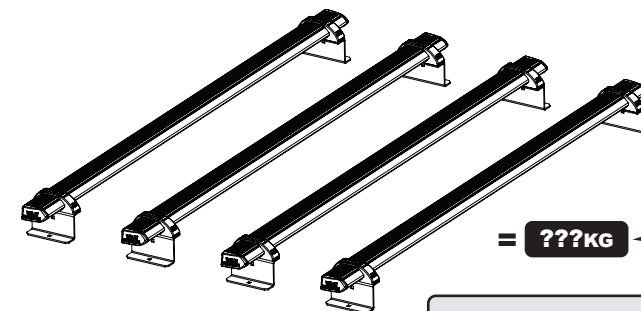
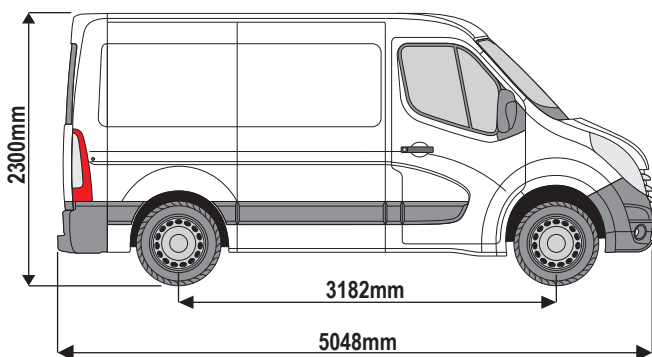
Vehicle:

Nissan NV400: 2010-2021
 Nissan Interstar: 2022 on
 Renault Master: 2010 on
 Vauxhall Movano: 2010-2021

Wheel Base: SWB (L1)

Roof Height: Low (H1)

Rear Doors: Twin



ULTI Bar Trade (Steel) = **21KG**

ULTI Bar+ (Aluminium) = **14.8KG**

286-4

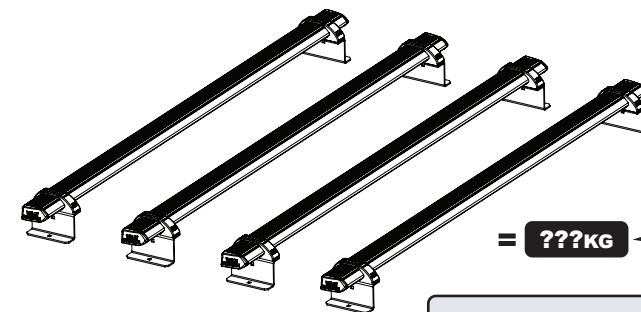
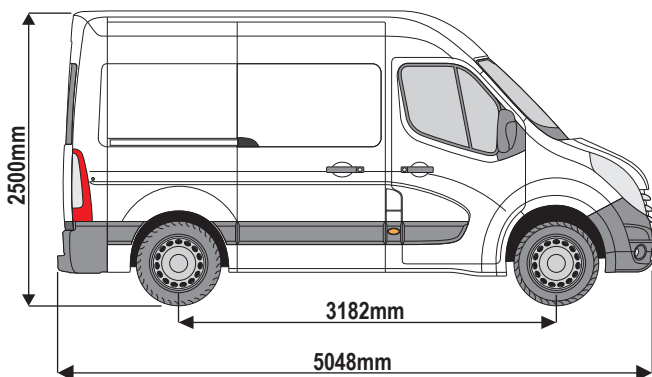
Vehicle:

Nissan NV400: 2010-2021
 Nissan Interstar: 2022 on
 Renault Master: 2010 on
 Vauxhall Movano: 2010-2021

Wheel Base: SWB (L1)

Roof Height: Medium (H2)

Rear Doors: Twin



ULTI Bar Trade (Steel) = **21KG**

ULTI Bar+ (Aluminium) = **14.8KG**

286-4

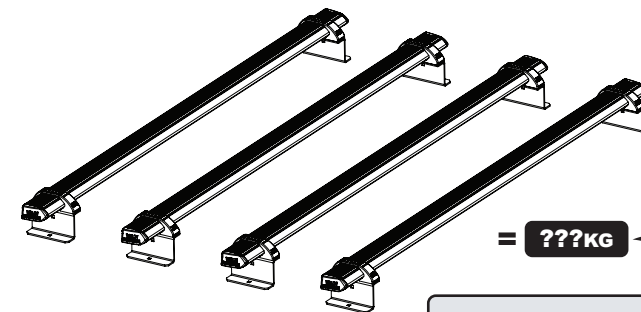
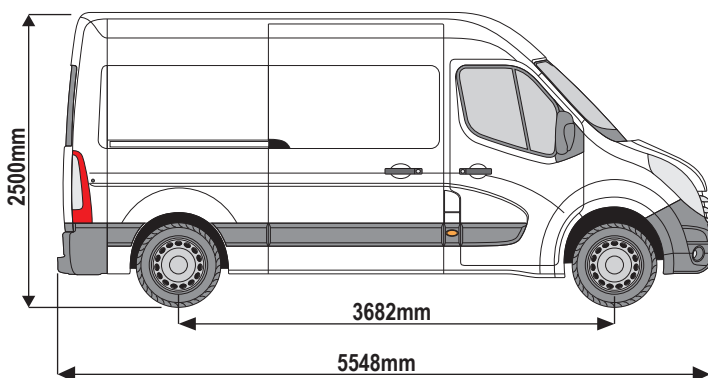
Vehicle:

Nissan NV400: 2010-2021
 Nissan Interstar: 2022 on
 Renault Master: 2010 on
 Vauxhall Movano: 2010-2021

Wheel Base: MWB (L2)

Roof Height: Medium (H2)

Rear Doors: Twin



ULTI Bar Trade (Steel) = **21KG**

ULTI Bar+ (Aluminium) = **14.8KG**

286-4

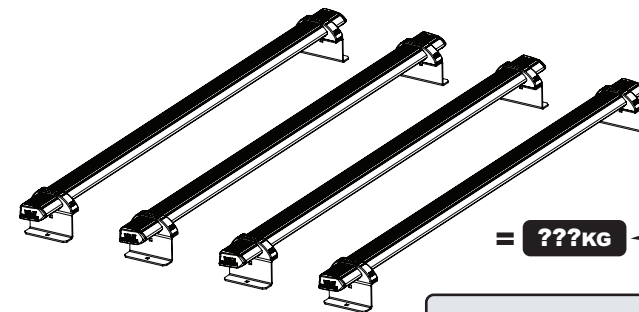
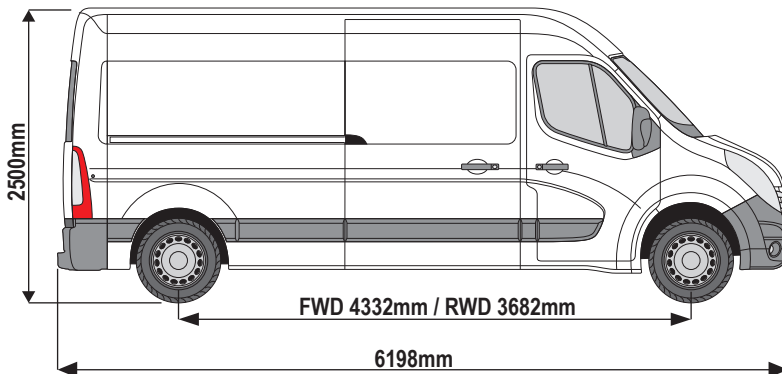
Vehicle:

Nissan NV400: 2010-2021
 Nissan Interstar: 2022 on
 Renault Master: 2010 on
 Vauxhall Movano: 2010-2021

Wheel Base: LWB (L3)

Roof Height: Medium (H2)

Rear Doors: Twin



ULTI Bar Trade (Steel) = 21KG

ULTI Bar+ (Aluminium) = 14.8KG

286-4

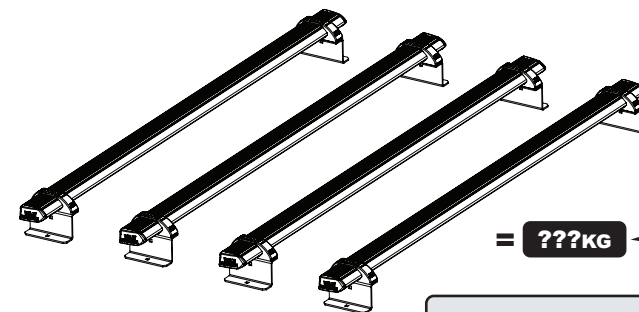
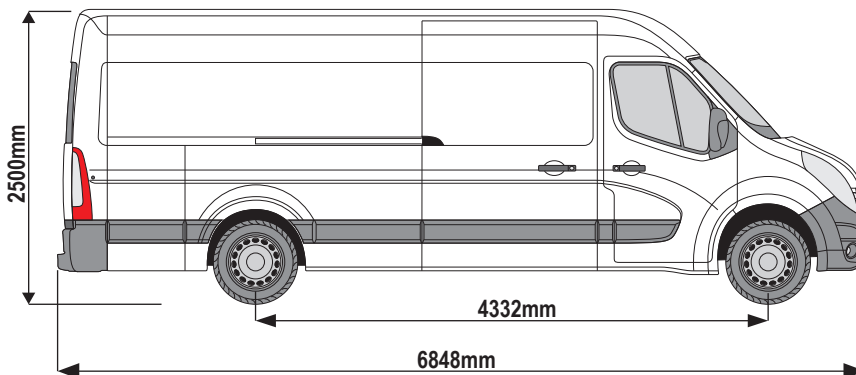
Vehicle:

Nissan NV400: 2010-2021
 Nissan Interstar: 2022 on
 Renault Master: 2010 on
 Vauxhall Movano: 2010-2021

Wheel Base: XLWB (L4)

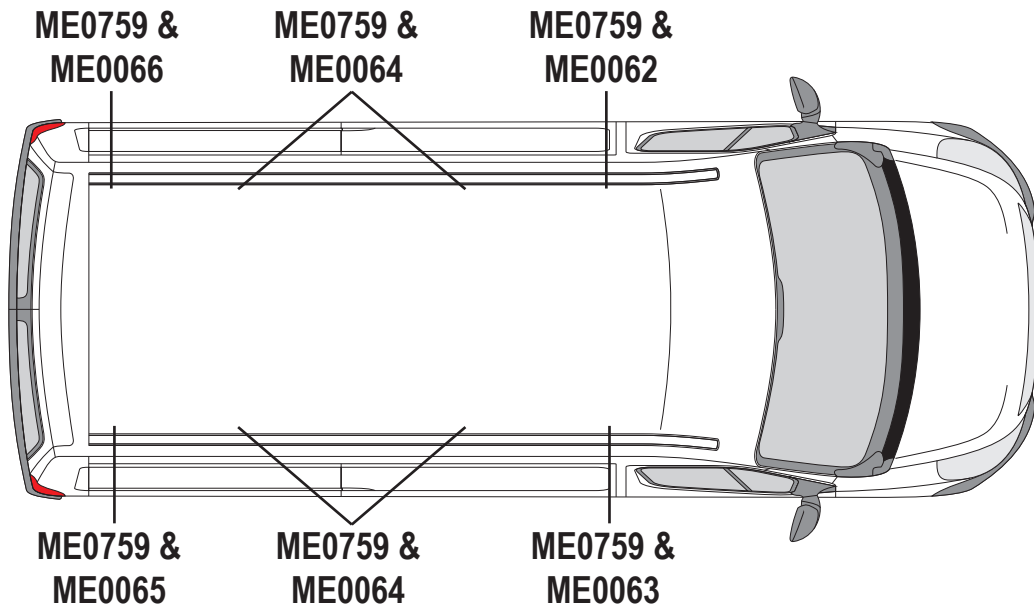
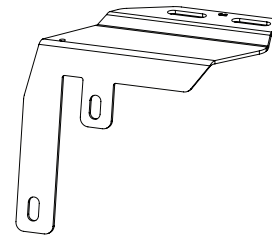
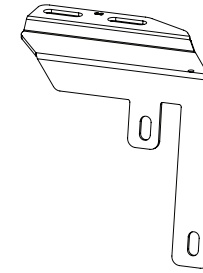
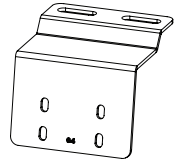
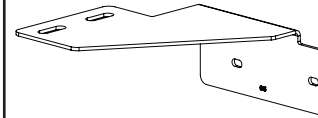
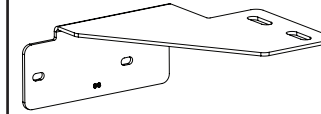
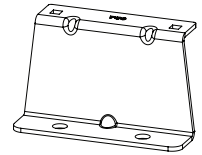
Roof Height: Medium (H2)

Rear Doors: Twin

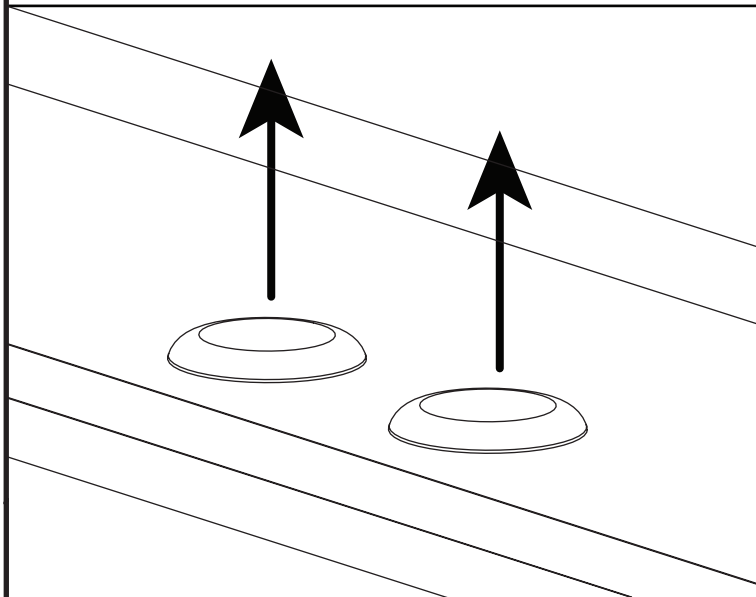


ULTI Bar Trade (Steel) = 21KG

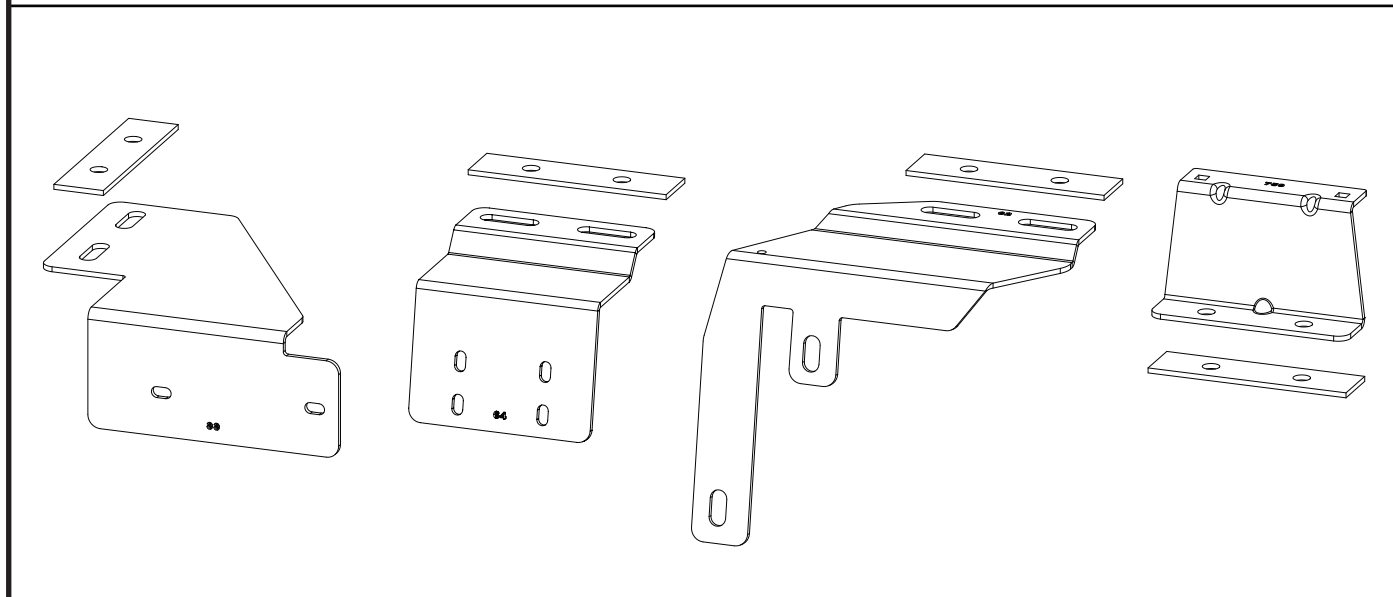
ULTI Bar+ (Aluminium) = 14.8KG

1**ME0062****ME0063****ME0064****ME0065****ME0066****ME0759****2**

Remove roof plugs to reveal the vehicles fixing points.

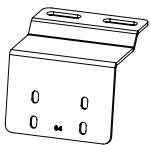
**3**

Stick rubber pads to all roof brackets.

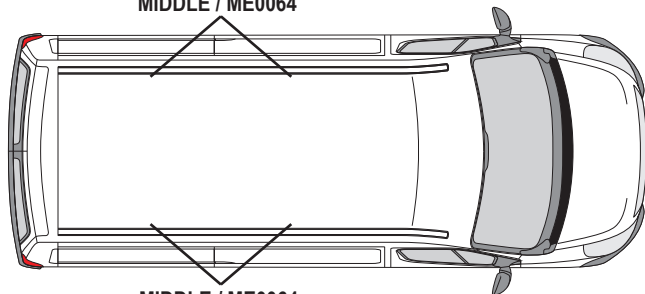


4

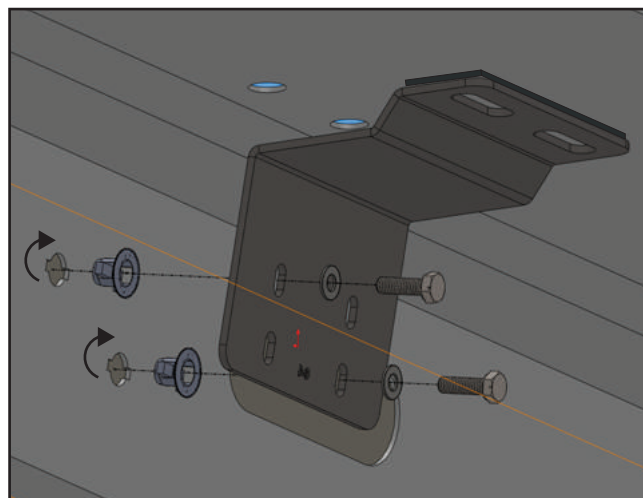
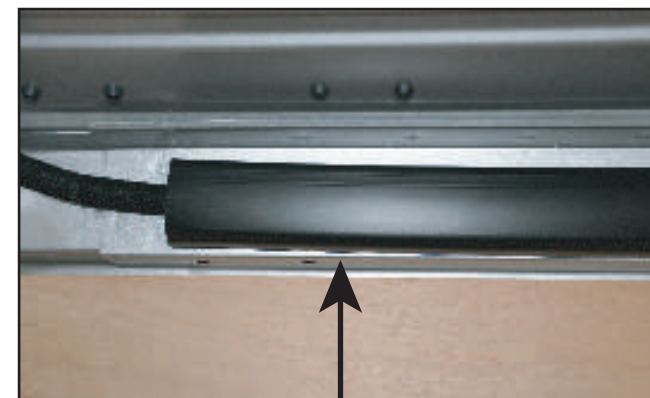
Loosely secure the middle inner fixing brackets to the inside of the vehicle by inserting the M6 1/4 turn nut inserts (FX4025) into the positions shown in FIG.1. Then place the middle inner bracket into place and loosely bolt into the M6 1/4 turn inserts using M6x20 hex bolts and M6 washers. Please note the cable trim (shown in FIG.2) may have to be removed. This trim can be refitted after the inner bracket has been secured.

MIDDLE (ME0064)

MIDDLE / ME0064



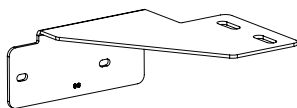
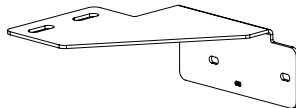
MIDDLE / ME0064

FIG.1**FIG.2**

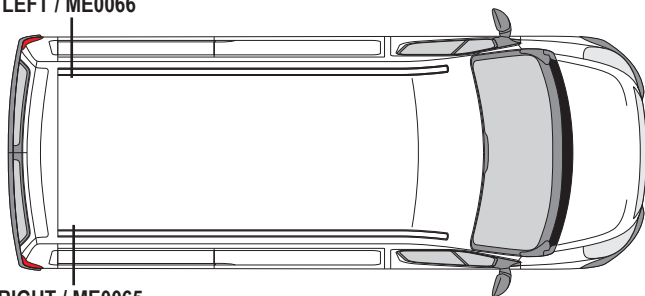
TRIM MAY NEED REMOVING BEFORE FITTING. THIS CAN BE RE-FITTED AFTWARDS.

5

Loosely secure the rear inner fixing brackets to the inside of the vehicle by inserting the M6 1/4 turn nut inserts (FX4025) into the positions shown below. Then place the rear inner bracket in position and loosely bolt into the M6 1/4 turn inserts using M6x20 hex bolts and M6 washers.

LEFT (ME0066)**RIGHT (ME0065)**

LEFT / ME0066



RIGHT / ME0065



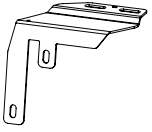
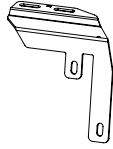
M6 1/4 TURN NUT INSERT LOCATIONS

M6 1/4 TURN NUT INSERT LOCATIONS

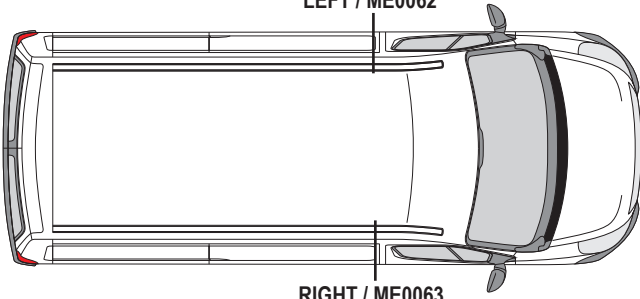
6

Loosely secure the front inner fixing brackets to the inside of the vehicle. Where a sliding door is present remove the 2X star drive screws, place front inner bracket in position and refit star drive screws as shown in fig.1. **(Do not remove door rail bracket)**

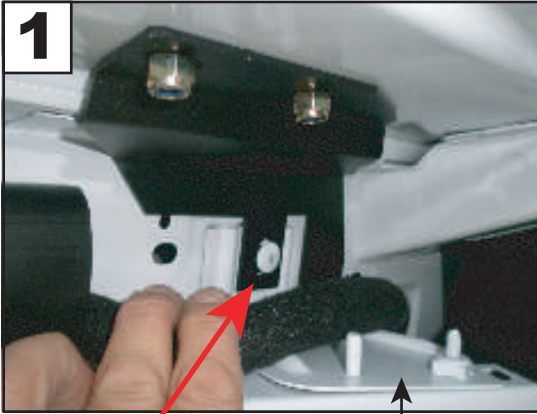
Where a sliding door is not present insert the M6 1/4 turn nut inserts into the positions shown in fig.2. Then place the front inner bracket in position and loosely bolt into the M6 1/4 turn nut inserts using M6x20 hex bolts and M6 washers.

LEFT (ME0062)**RIGHT (ME0063)**

LEFT / ME0062



RIGHT / ME0063



STAR DRIVE FIXING (X2)

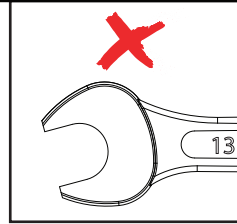
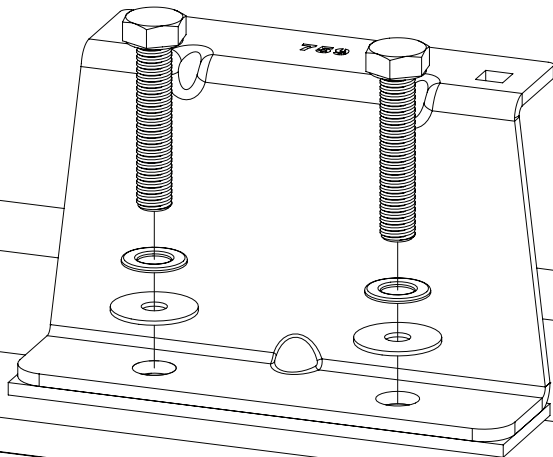
DOOR RAIL BRACKET



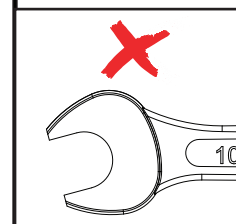
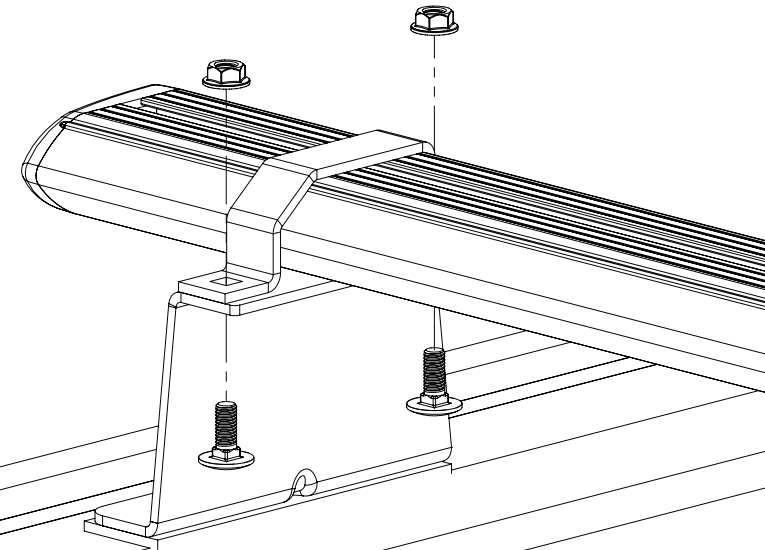
M6 1/4 TURN NUT INSERT LOCATIONS

7

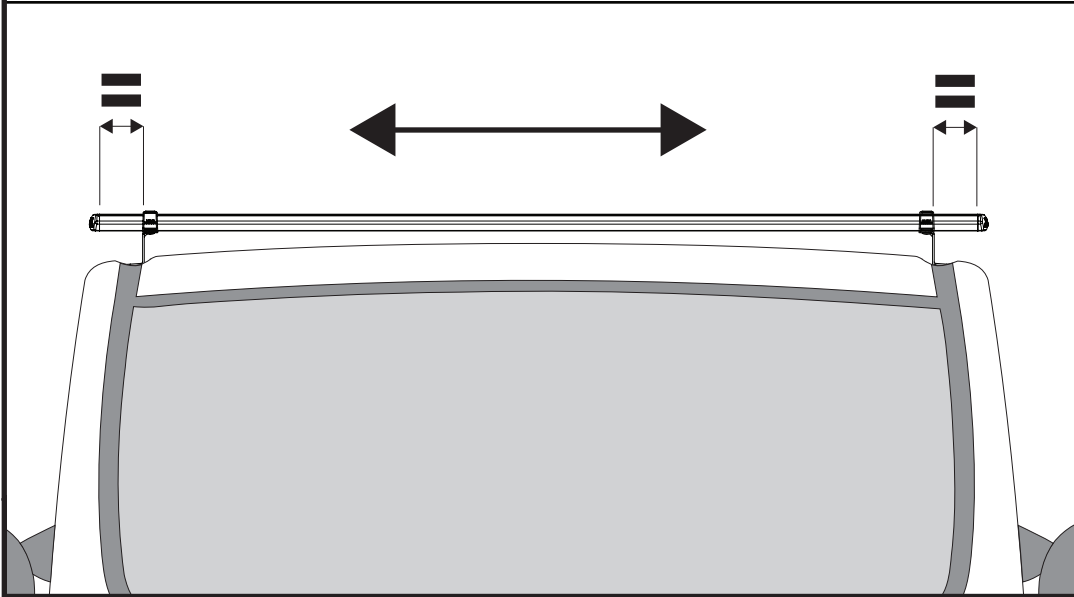
Place the roof brackets onto the roof and bolt down through the fixing points and through the inner fixing brackets using M8X40 hex bolts, M8 washers & rubber washers.

**8**

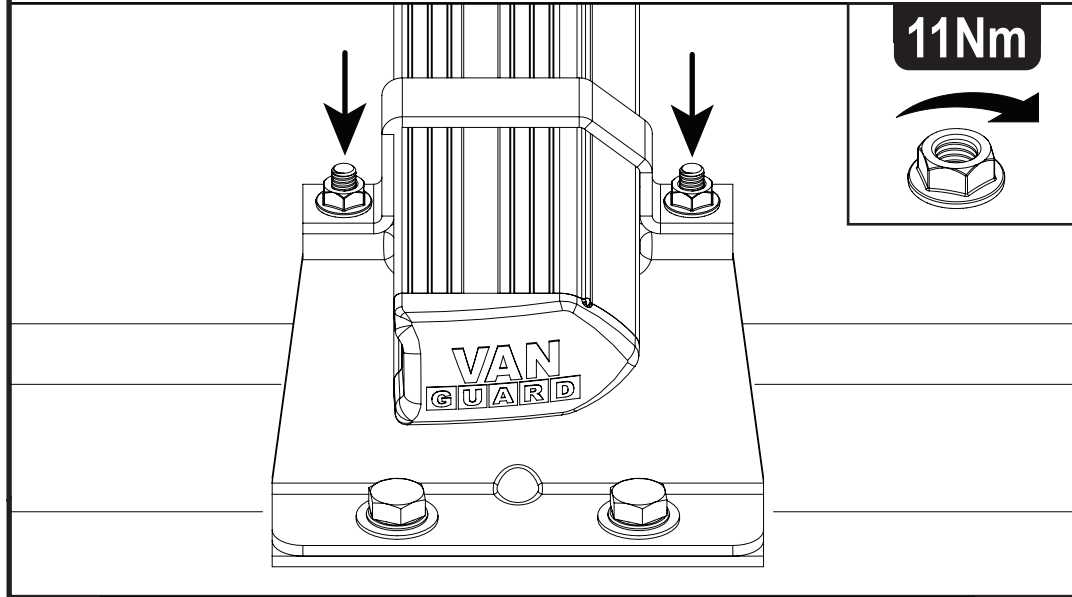
Place the roof bars onto the roof brackets and loosely secure using M6X16 coach bolts & M6 flange nuts.



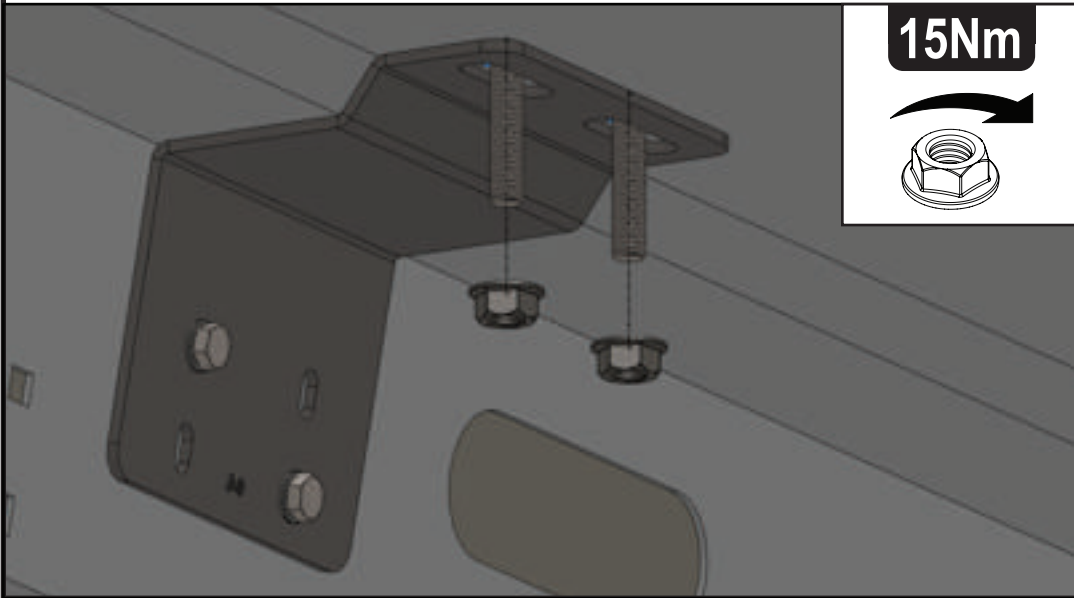
9 Adjust the roof bars to ensure that they are evenly spaced on the vehicle.



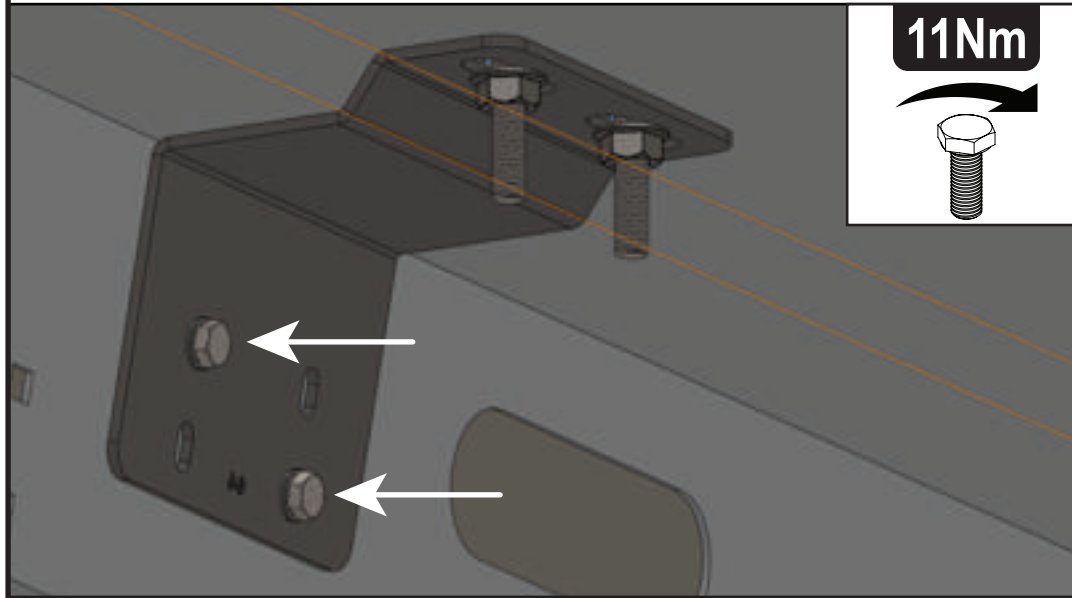
10 Tighten the roof bar fixings to 8Nm.

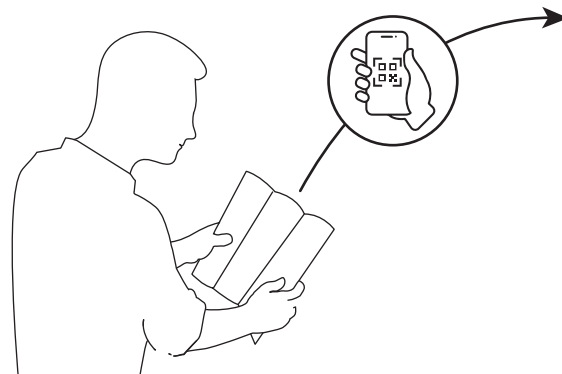
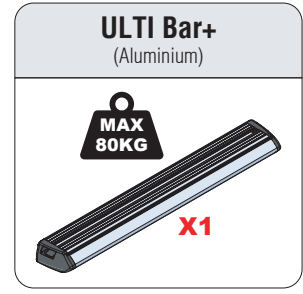
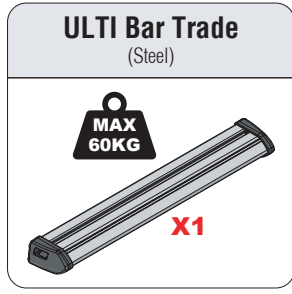
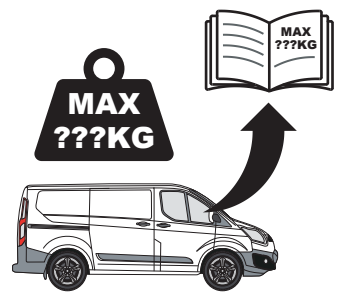
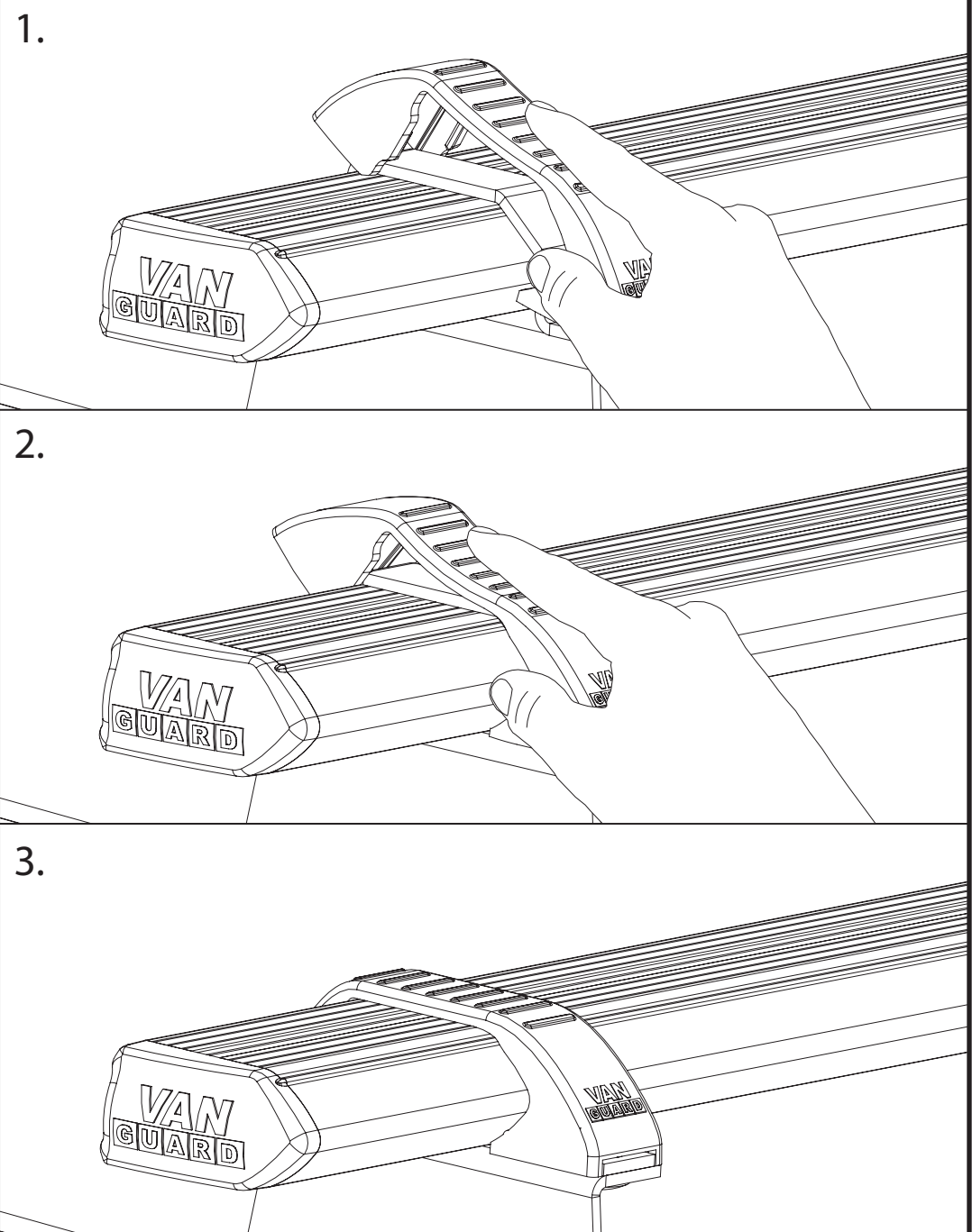


11 Secure the roof brackets to the inner fixing brackets using M8 flange nuts and tighten to 12Nm.



12 Tighten the M6 fixings on all inner fixing brackets to 8Nm.





EN - SAFETY AND PRODUCT INFORMATION
 DE - SICHERHEITS- UND PRODUKTINFORMATIONEN
 FR - INFORMATIONS DE SÉCURITÉ ET DU PRODUIT
 NL - VEILIGHEIDS- EN PRODUCTINFORMATIE
 ES - INFORMACIÓN DE SEGURIDAD Y DEL PRODUCTO
 IT - INFORMAZIONI SULLA SICUREZZA E SUL PRODOTTO

SV - SÄKERHETS- OCH PRODUKTINFORMATION
 DA - SIKKERHEDS- OG PRODUKTINFORMATION
 NO - SIKKERHETS- OG PRODUKTINFORMASJON
 PL - INFORMACJE O BEZPIECZENSTWIE I PRODUKCJE
 CS - INFORMACE O BEZPEČNOSTI A PRODUKTU