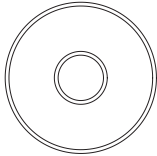
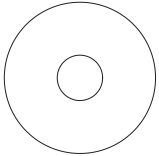

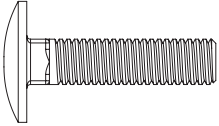
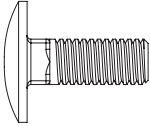


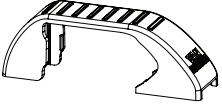
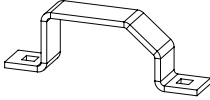

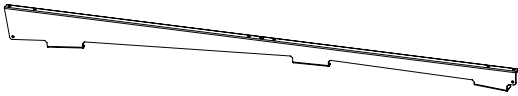


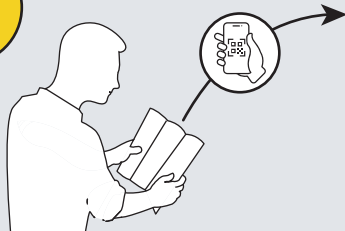
IN8130

ULTI Bars - X3

<p>FX4013 X8 (M6)</p> 	<p>FX4014 X8 (RUBBER)</p> 	<p>FX4016 X20 (M6)</p> 	<p>FX4022 X8 (M6X25)</p> 	<p>FX4042 X12 (M6X16)</p> 	<p>MA6070 X4</p> 	<p>MA6076 X2</p> 	<p>MA6065 X6</p> 
<p>ME0203 X6</p> 	<p>ME0698 X1</p> 		<p>ME0699 X1</p> 				

TOOLS REQUIRED

10MM X 1

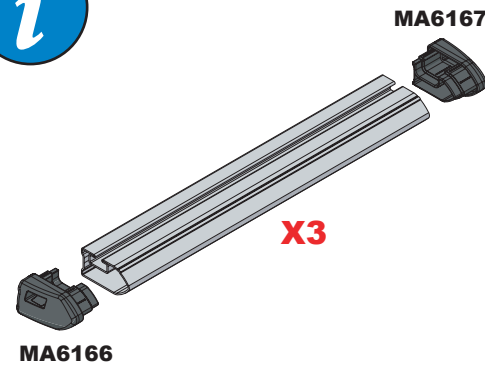


EN - SAFETY AND PRODUCT INFORMATION
 DE - SICHERHEITS- UND PRODUKTINFORMATIONEN
 FR - INFORMATIONS DE SÉCURITÉ ET DU PRODUIT
 NL - VEILIGHEIDS- EN PRODUCTINFORMATIE
 ES - INFORMACIÓN DE SEGURIDAD Y DEL PRODUCTO
 IT - INFORMAZIONI SULLA SICUREZZA E SUL PRODOTTO

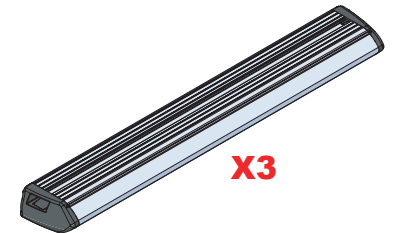
SV - SÄKERHETS- OCH PRODUKTINFORMATION
 DA - SIKKERHEDS- OG PRODUKTINFORMATION
 NO - SIKKERHETS- OG PRODUKTINFORMASJON
 PL - INFORMACJE O BEZPIECZENSTWIE I PRODUKCIE
 CS - INFORMACE O BEZPEČNOSTI A PRODUKTU



Customercare@van-guard.co.uk
UK +44 (0) 1392 368 351



ULTI Bar Trade
(Steel)



ULTI Bar+
(Aluminium)

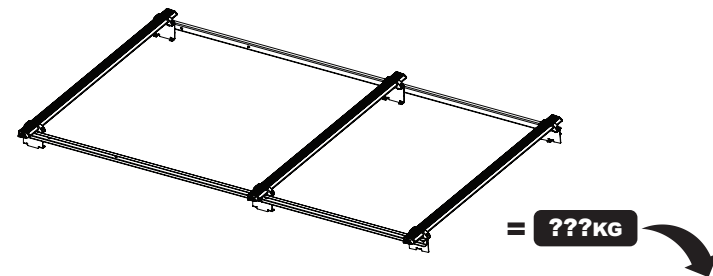
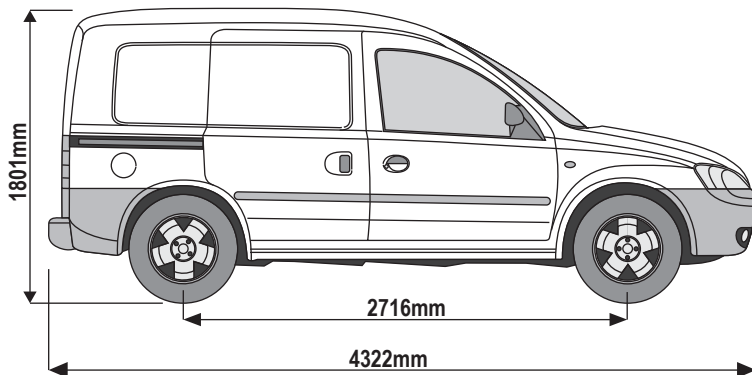
This FITTING INSTRUCTION is the property of VAN GUARD ACCESSORIES LTD. and must not be used for manufacturing purposes, copied nor communicated in any way to third parties without written permission from VAN GUARD ACCESSORIES LTD.

IN8130_E (CN:00183)

Van Guard Accessories Ltd
 Fair Oak Close, Exeter Airport Business Park,
 Exeter, Devon, EX5 2UL
www.van-guard.co.uk

187-3

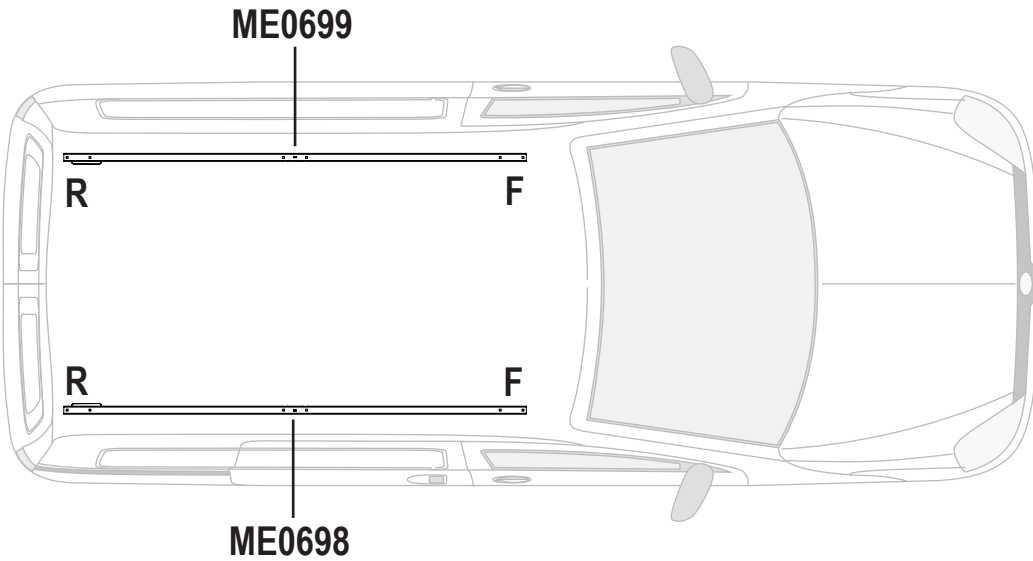
Vehicle:
 Vauxhall Combo: 2001-2012
Wheel Base: Standard (L1)
Roof Height: Standard (H1)
Rear Doors: Twin / Tailgate



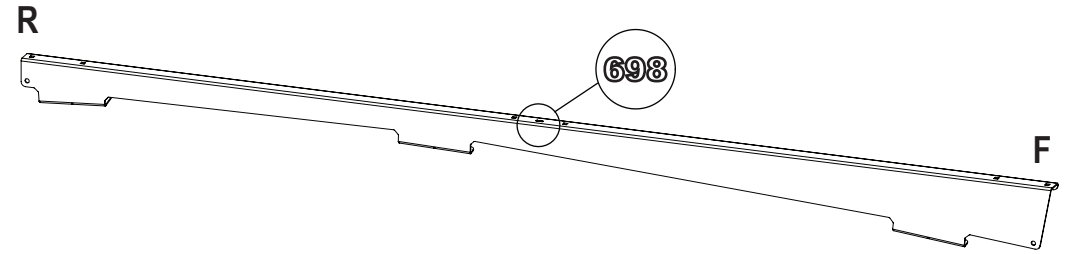
ULTI Bar Trade (Steel) = 15.5KG

ULTI Bar+ (Aluminium) = 11.6KG

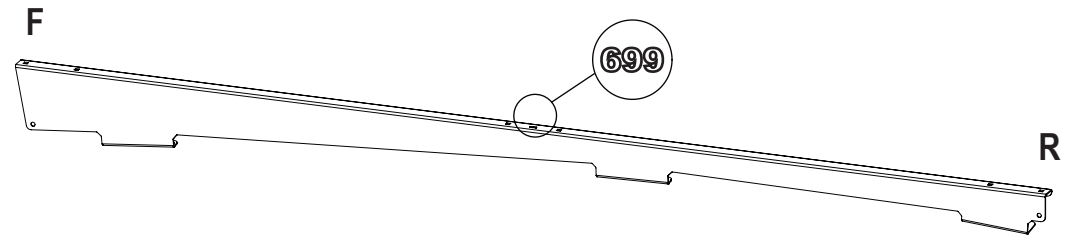
1 The side rails are handed to suit both sides of the vehicle.



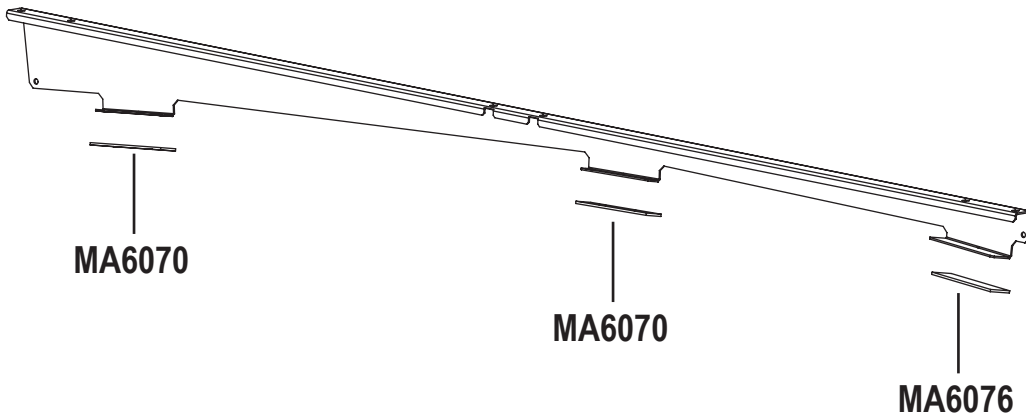
ME0698



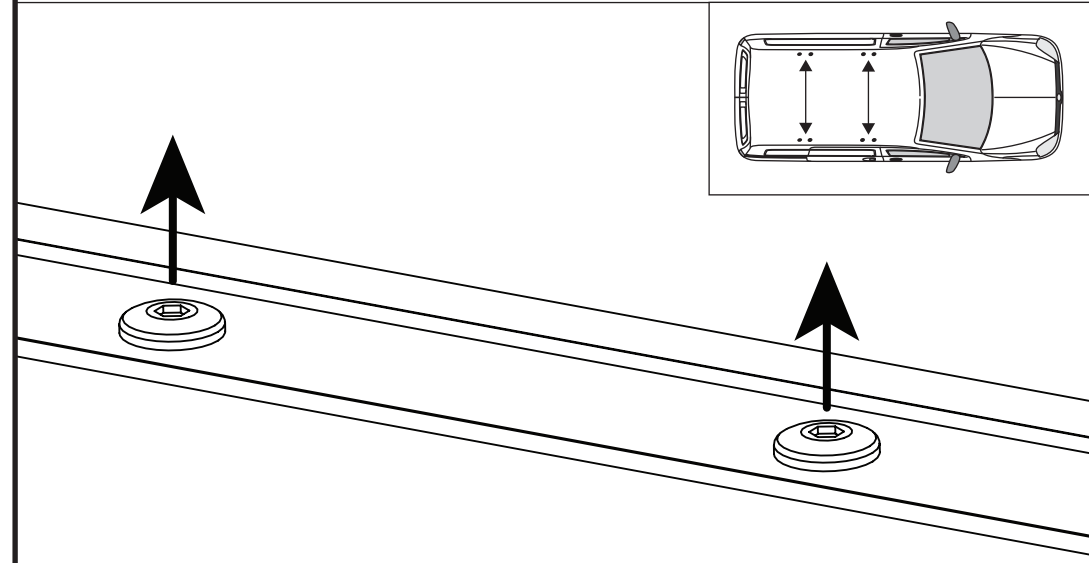
ME0699



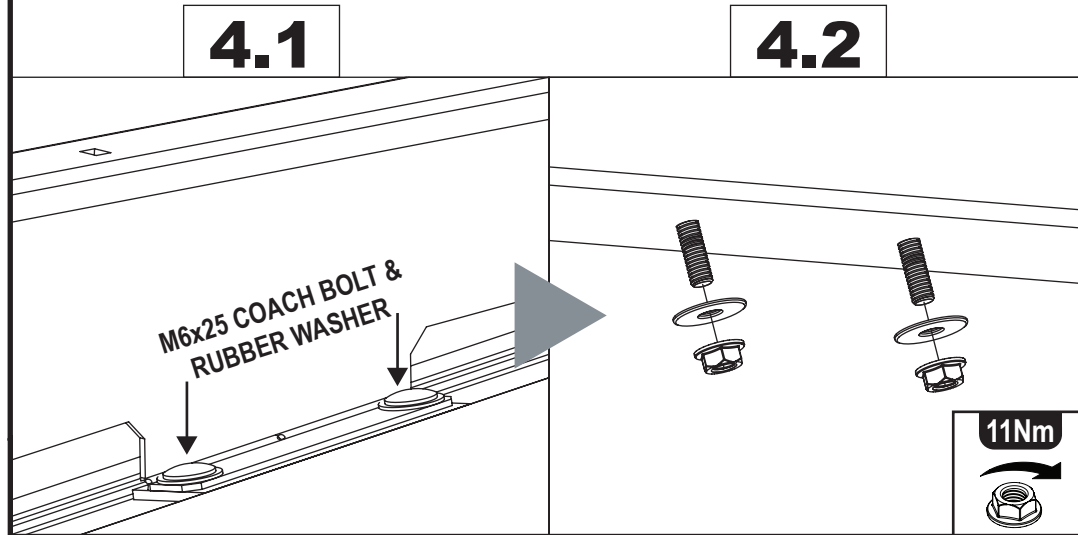
2 Stick rubber pads to the underside of the side rail feet.



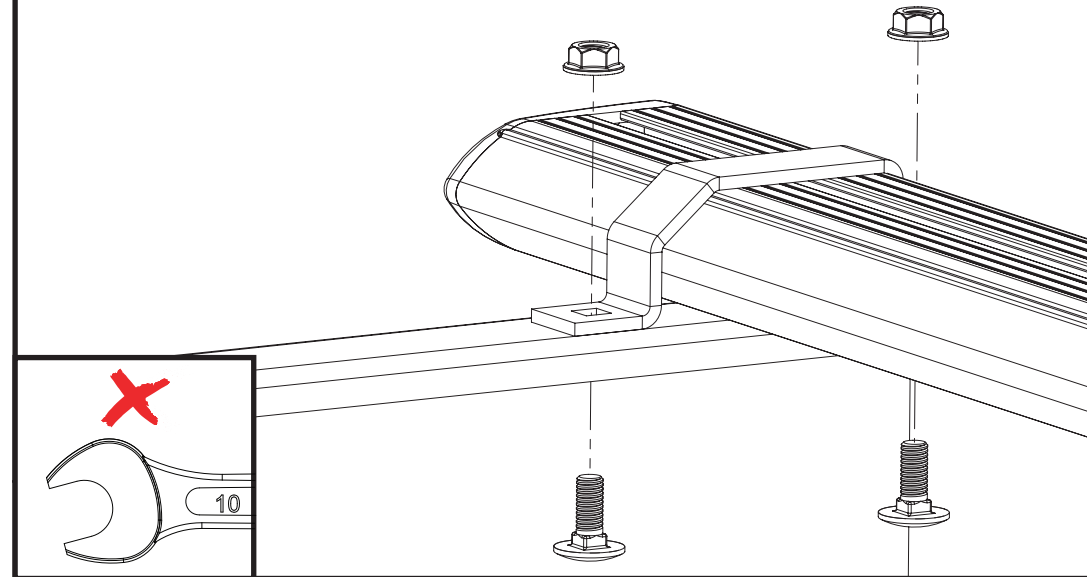
3 Remove the roof plugs to reveal the vehicles fixing points. Please note there is no fixing for the rear foot of the side rail, this therefore rests on the roof as a support foot.



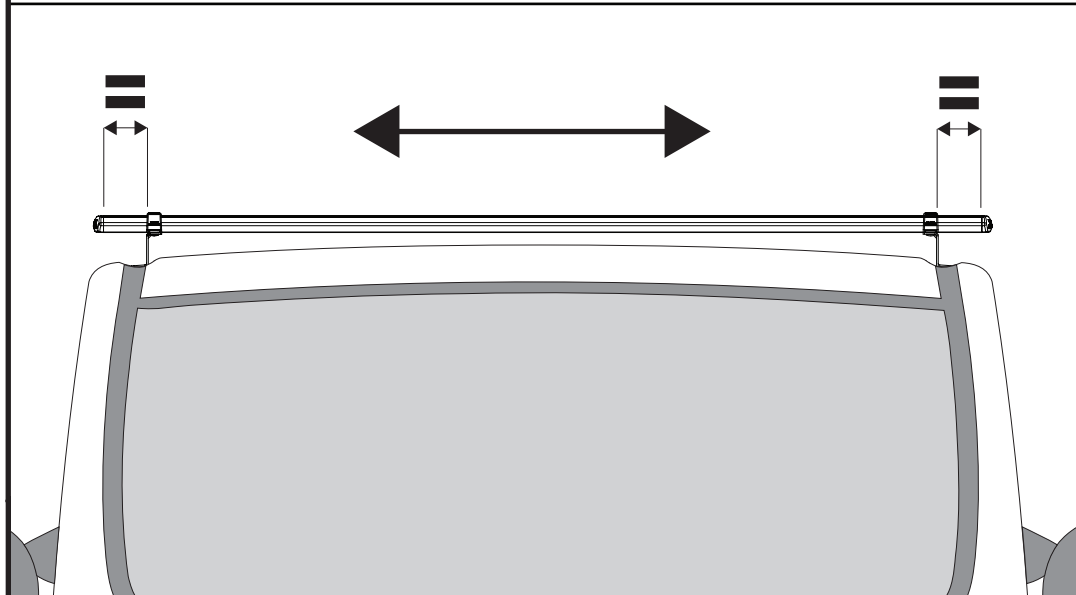
4 Secure the side rails to the vehicles fixing points by bolting through the fixing points using M6x25 coach bolts & rubber washers (FIG. 4.1), secure under the roof using M6 washers & M6 serrated nuts (FIG. 4.2). Ensure that the top hat flange is facing inwards.



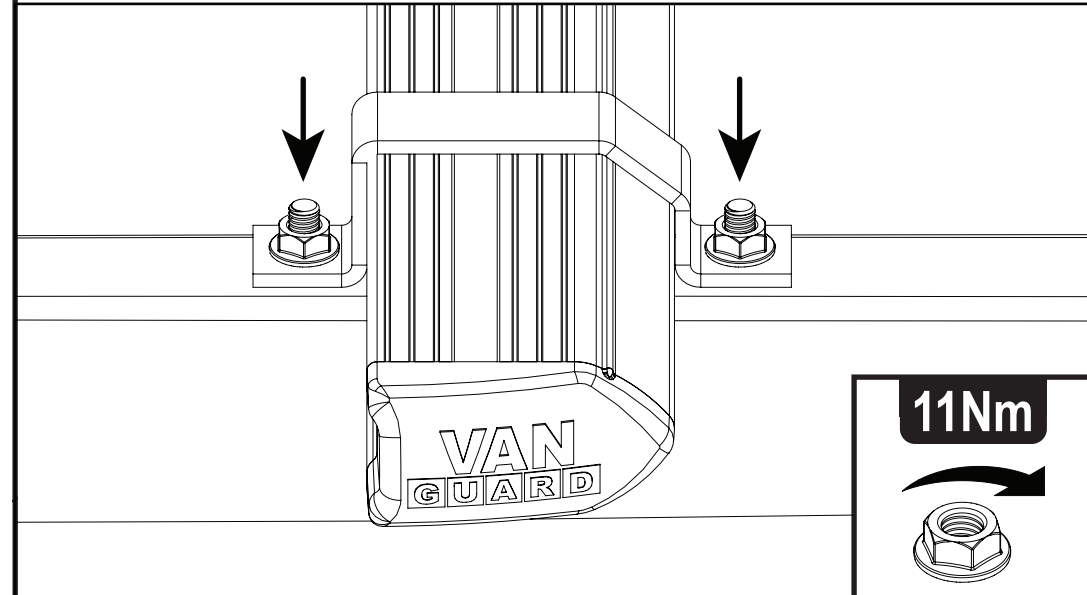
5 Place roof bars onto the side rails with the t-track facing upwards and loosely secure using top hat brackets, M6x16 coach bolts & M6 serrated nuts.



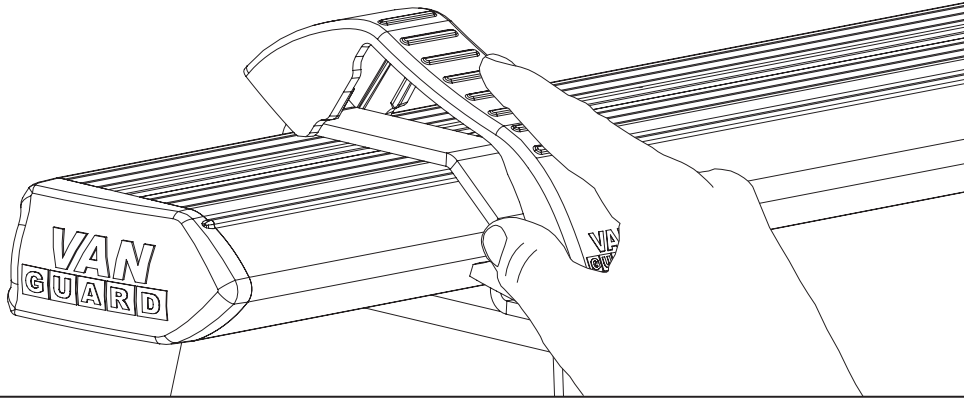
6 Adjust the roof bars to ensure that they are evenly spaced on the vehicle.



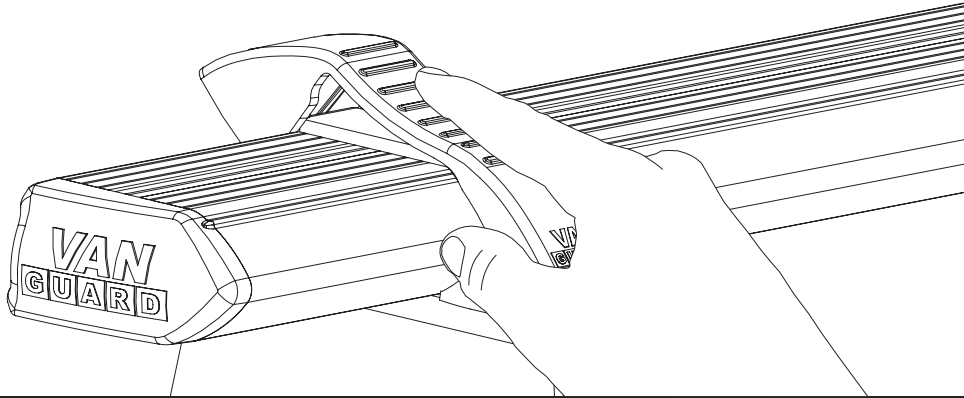
7 Tighten the roof bar fixings to 8Nm.



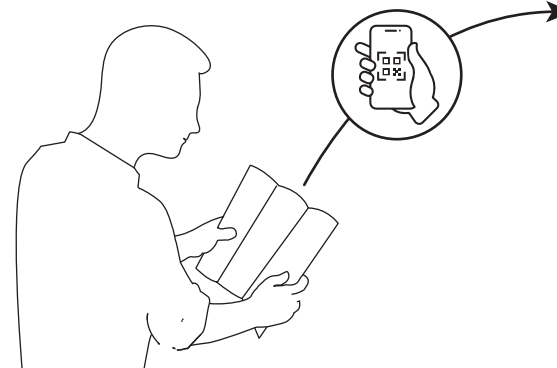
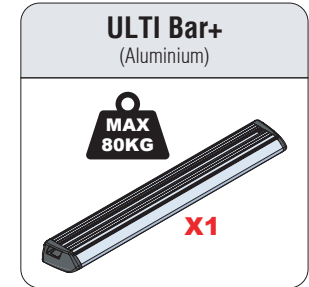
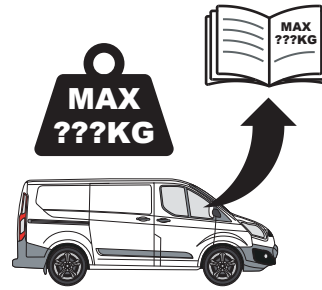
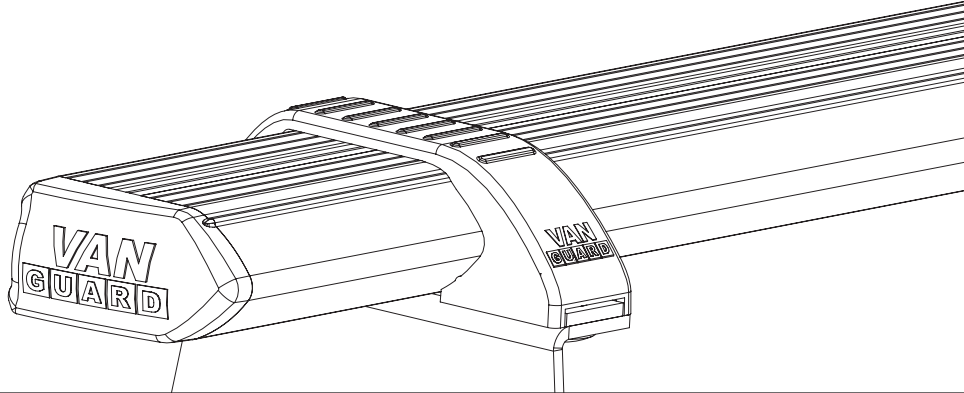
1.



2.



3.



EN - SAFETY AND PRODUCT INFORMATION
 DE - SICHERHEITS- UND PRODUKTINFORMATIONEN
 FR - INFORMATIONS DE SÉCURITÉ ET DU PRODUIT
 NL - VEILIGHEIDS- EN PRODUCTINFORMATIE
 ES - INFORMACIÓN DE SEGURIDAD Y DEL PRODUCTO
 IT - INFORMAZIONI SULLA SICUREZZA E SUL PRODOTTO

SV - SÄKERHETS- OCH PRODUKTINFORMATION
 DA - SIKKERHEDS- OG PRODUKTINFORMATION
 NO - SIKKERHETS- OG PRODUKTINFORMASJON
 PL - INFORMACJE O BEZPIECZENSTWIE I PRODUKCJE
 CS - INFORMACE O BEZPEČNOSTI A PRODUKTU