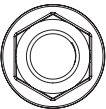
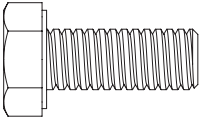
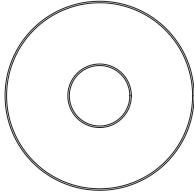
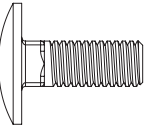

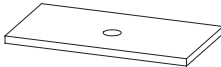
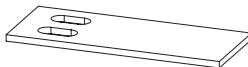
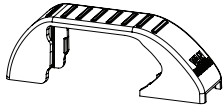
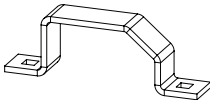




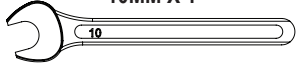
IN8132

ULTI Bars - X3


<p>FX4016 X12 (M6)</p> 	<p>FX4018 X6 (M8X20)</p> 	<p>FX4040 X6 (M8)</p> 	<p>FX4042 X12 (M6X16)</p> 	<p>MA6025 X6</p> 	<p>MA6071 X4</p> 	<p>MA6073 X2</p> 	<p>MA6065 X6</p> 
<p>ME0203 X6</p> 	<p>ME0714 X1</p> 		<p>ME0715 X1</p> 				

TOOLS REQUIRED


10MM X 1



13MM X 1



5MM HEX / ALLEN KEY X 1



!



EN - SAFETY AND PRODUCT INFORMATION
 DE - SICHERHEITS- UND PRODUKTINFORMATIONEN
 FR - INFORMATIONS DE SÉCURITÉ ET DU PRODUIT
 NL - VEILIGHEIDS- EN PRODUCTINFORMATIE
 ES - INFORMACIÓN DE SEGURIDAD Y DEL PRODUCTO
 IT - INFORMAZIONI SULLA SICUREZZA E SUL PRODOTTO


SV - SÄKERHETS- OCH PRODUKTINFORMATION
 DA - SIKKERHEDS- OG PRODUKTINFORMATION
 NO - SIKKERHETS- OG PRODUKTINFORMASJON
 PL - INFORMACJE O BEZPIECZENSTWIE I PRODUKCIE
 CS - INFORMACE O BEZPEČNOSTI A PRODUKTU

? !

Customercare@van-guard.co.uk
UK +44 (0) 1392 368 351

i

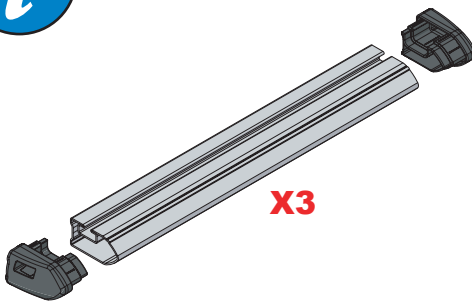
MA6167



X3

MA6166

ULTI Bar Trade
(Steel)



X3

ULTI Bar+
(Aluminium)

This FITTING INSTRUCTION is the property of VAN GUARD ACCESSORIES LTD. and must not be used for manufacturing purposes, copied nor communicated in any way to third parties without written permission from VAN GUARD ACCESSORIES LTD.

IN8132_F (CN:00183)

Van Guard Accessories Ltd
 Fair Oak Close, Exeter Airport Business Park,
 Exeter, Devon, EX5 2UL
www.van-guard.co.uk

225-3

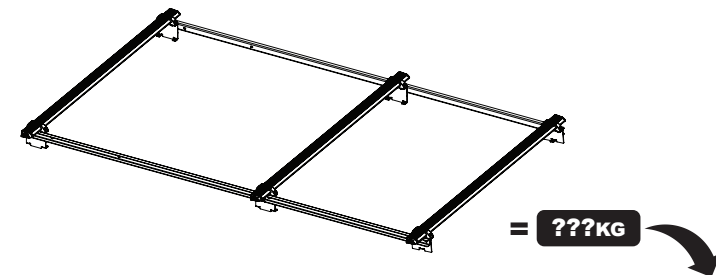
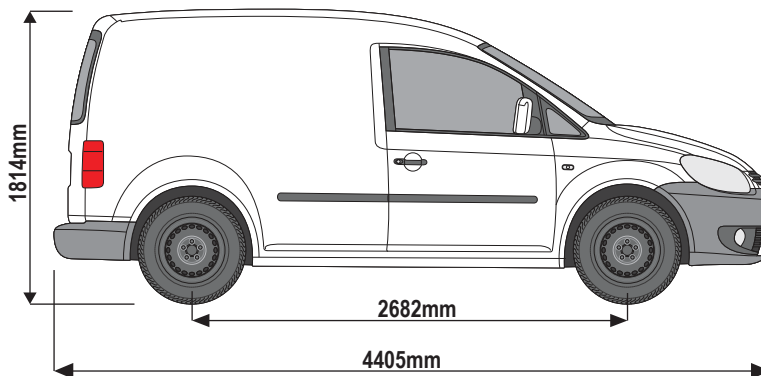
Vehicle:

Volkswagen Caddy: 2004 - 2010
 Volkswagen Caddy: 2010 - 2020

Wheel Base: SWB (L1)

Roof Height: Standard (H1)

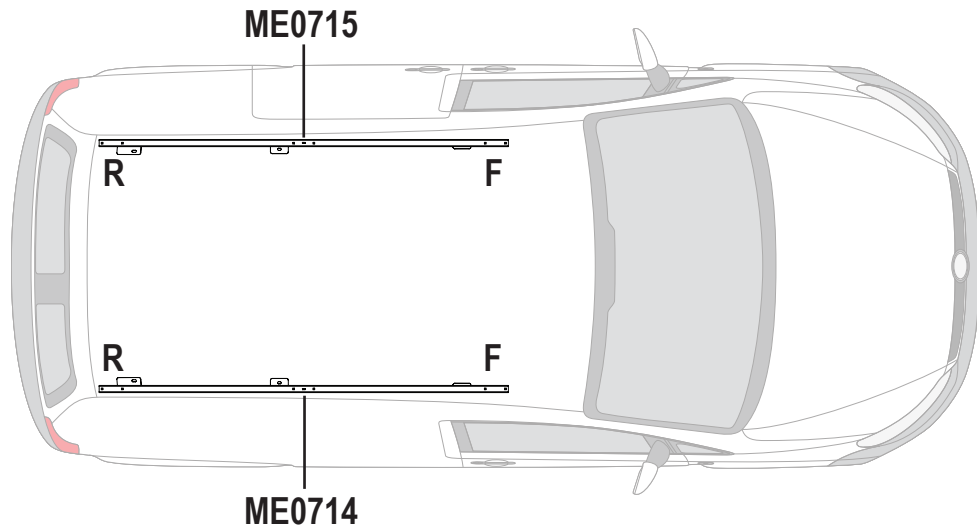
Rear Doors: Twin / Tailgate



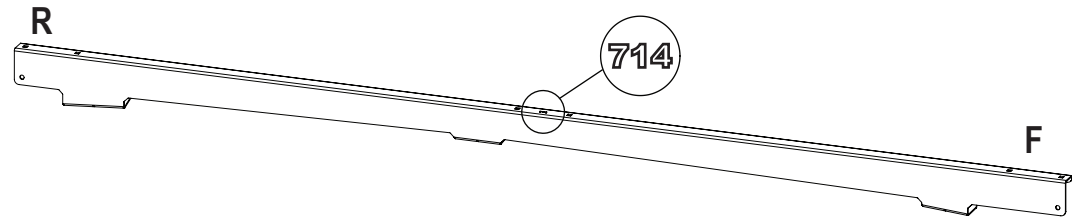
ULTI Bar Trade (Steel) = 15.4KG

ULTI Bar+ (Aluminium) = 11.5KG

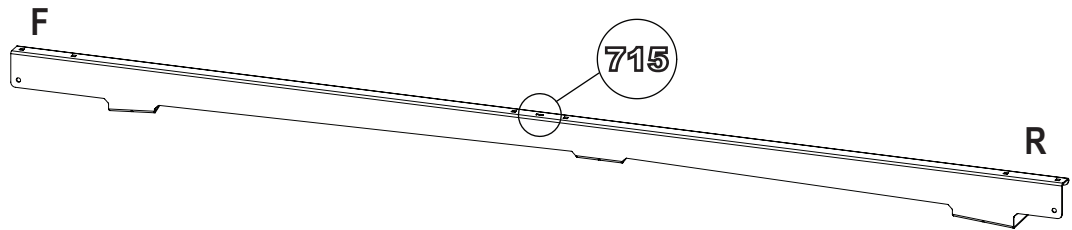
1



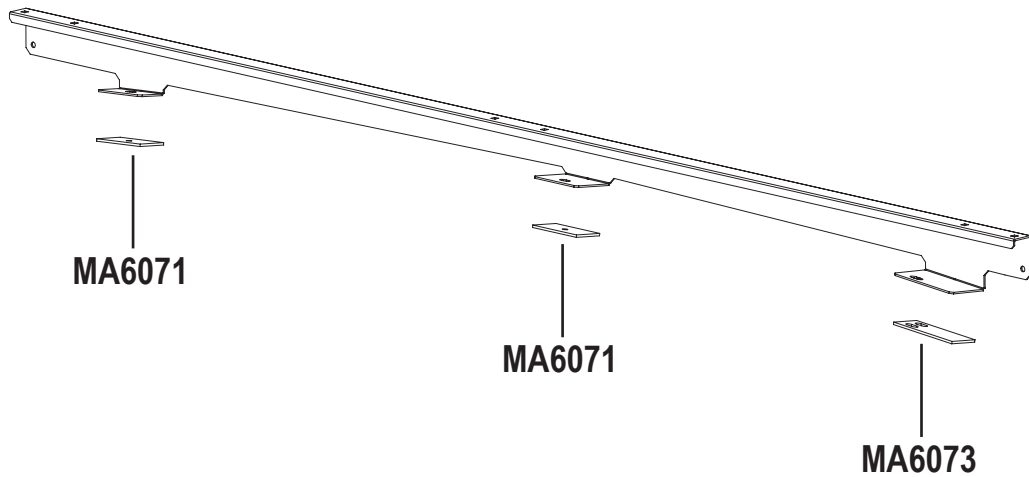
ME0714



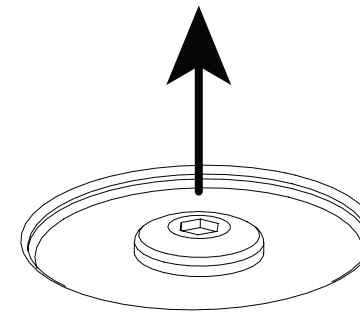
ME0715



2



3

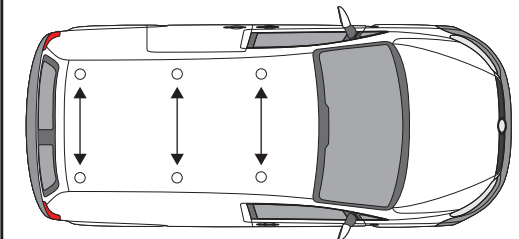
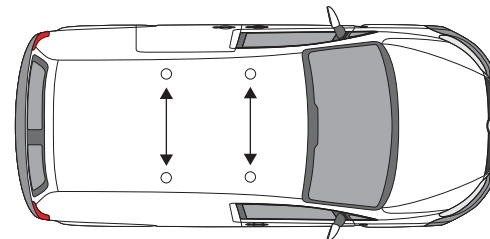


5MM HEX / ALLEN

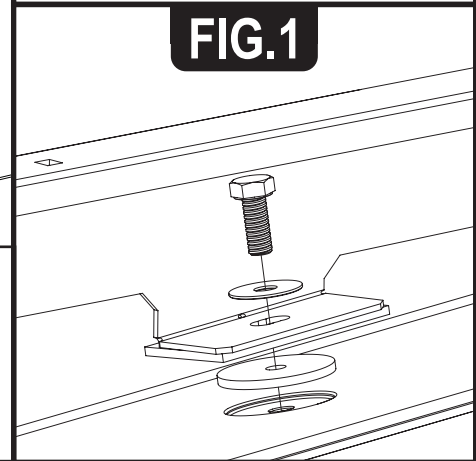
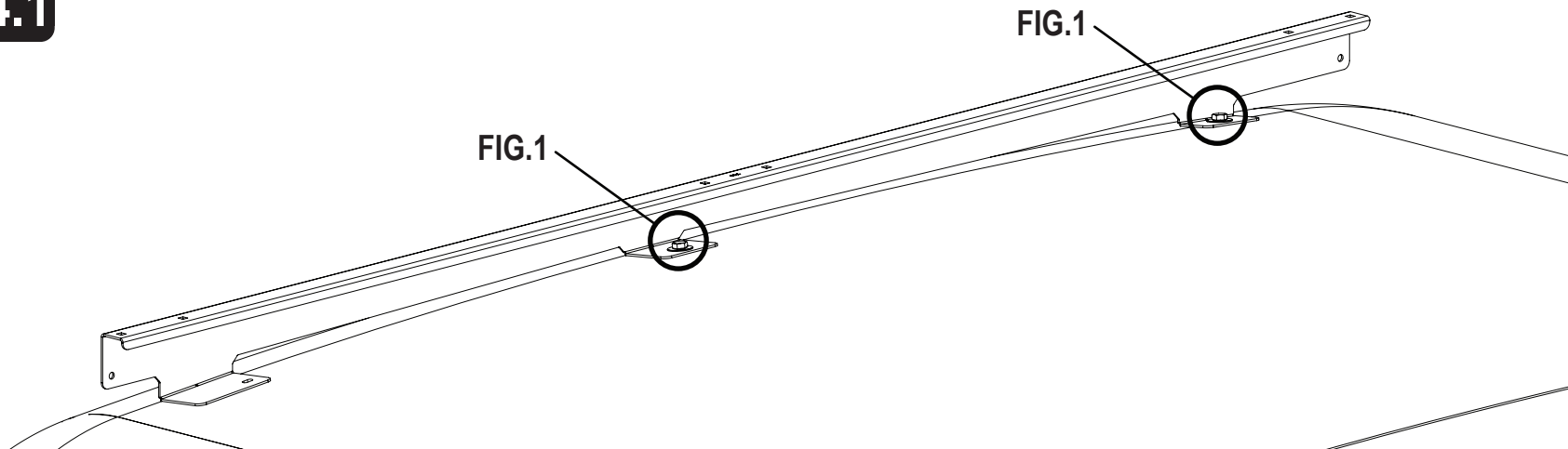


2004 - 2010 (STEP 4.1)

2010 - 2020



4.1



2004 - 2010

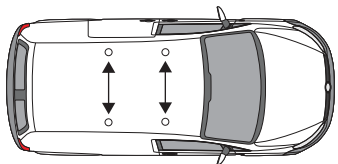
FX4018 X2

FX4040 X2

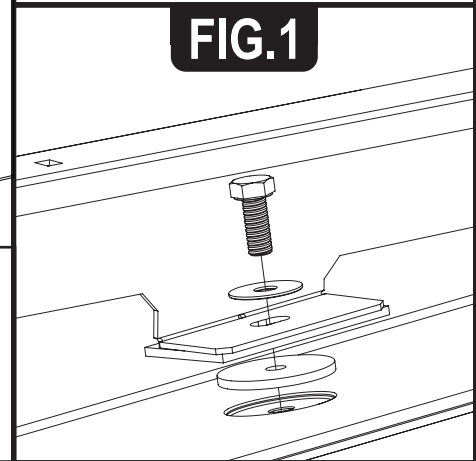
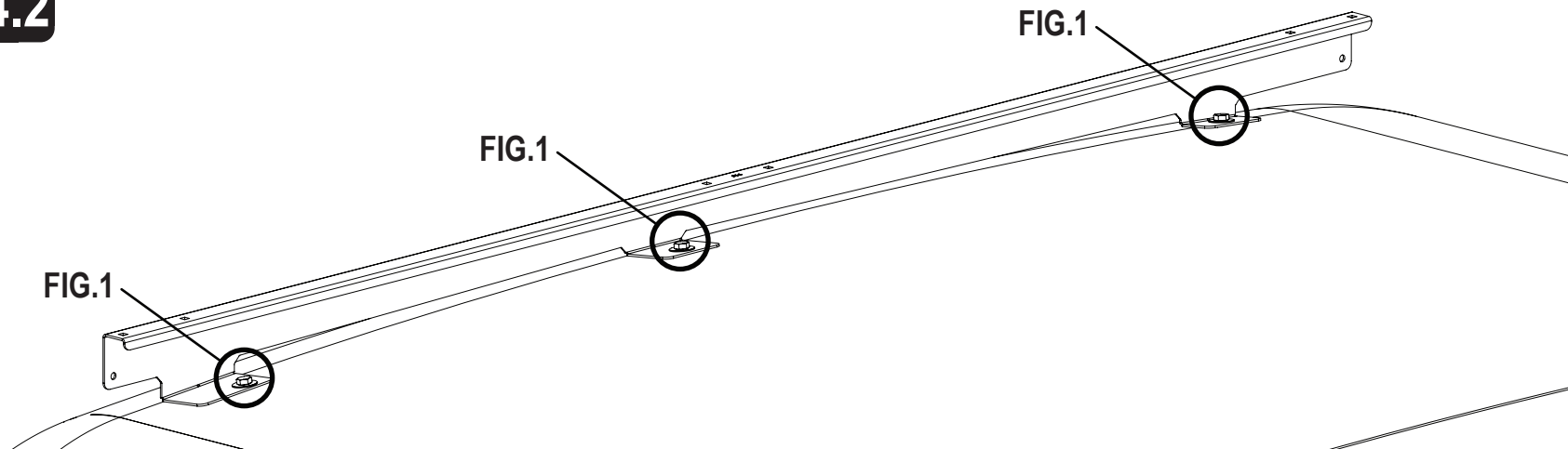
MA6025 X2



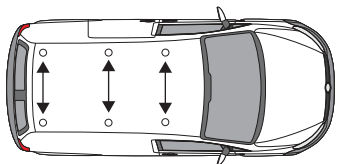
GB. If fitting to a 2004 - 2010 model there will be no rear fixing point. In this case the rear foot of the side rail rests on the roof as support and is not fixed as per the front and middle feet. If fitting to a 2010 - 2020 model please refer to step 4.2.



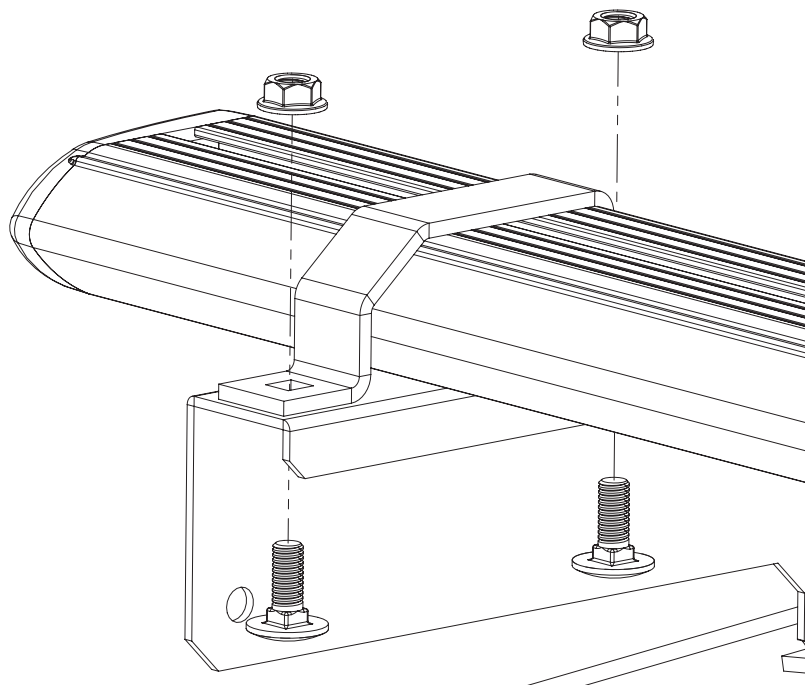
4.2



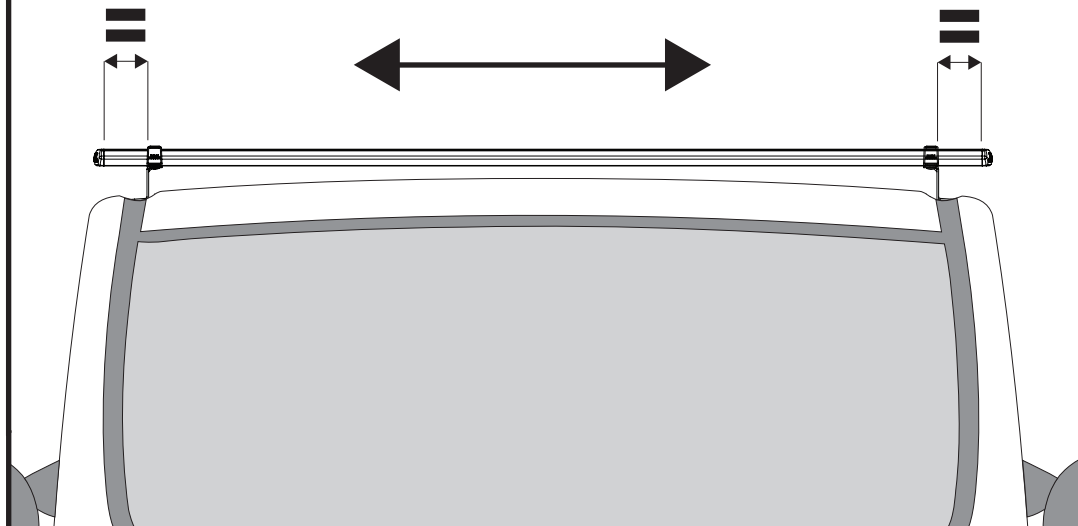
2010 - 2020



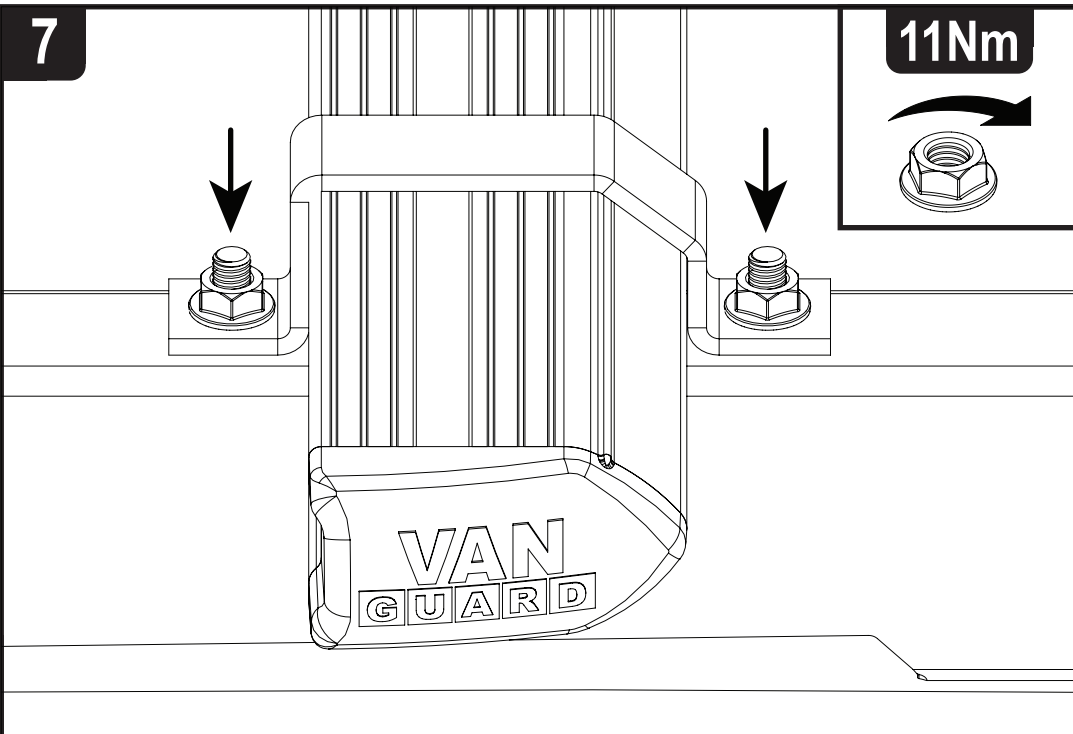
5



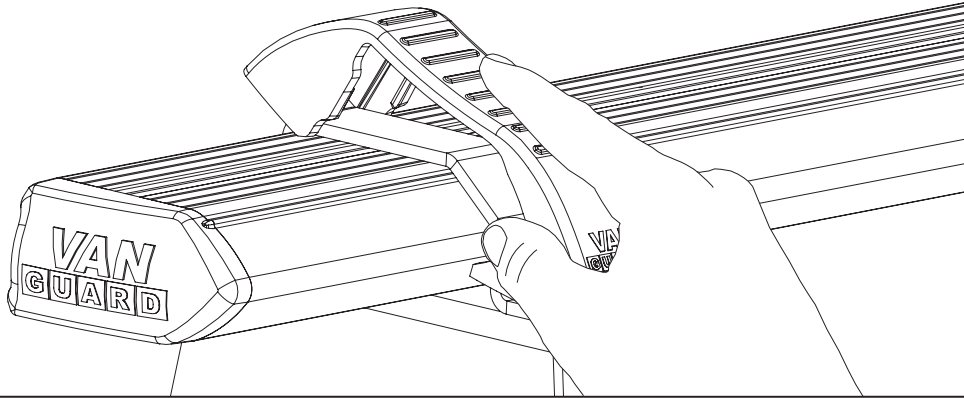
6



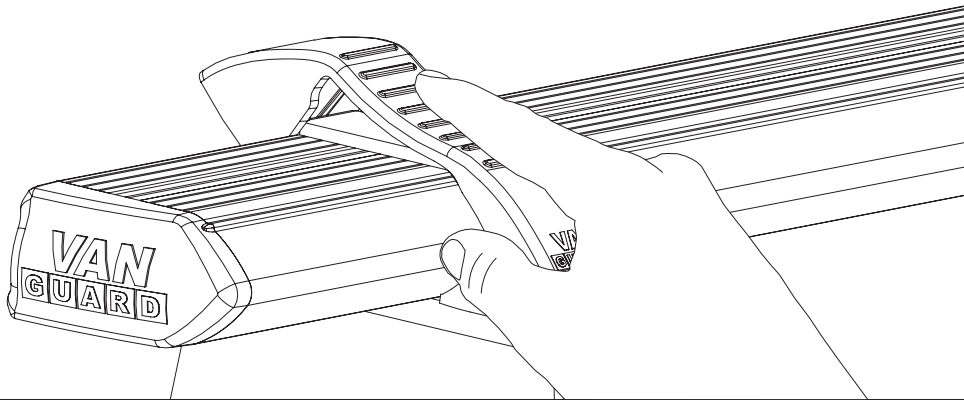
7



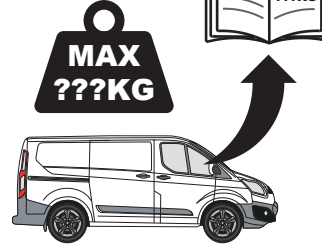
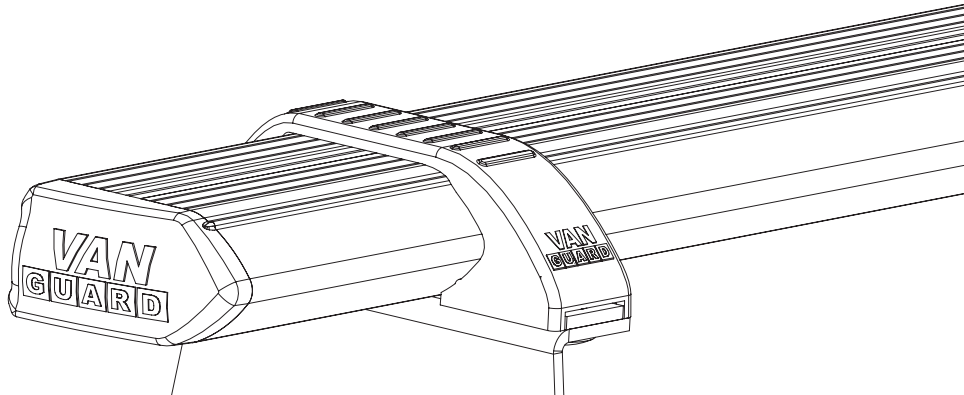
1.



2.



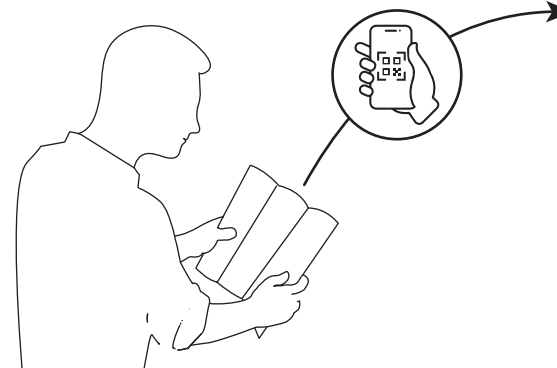
3.



ULTI Bar Trade
(Steel)



ULTI Bar+
(Aluminium)



EN - SAFETY AND PRODUCT INFORMATION
 DE - SICHERHEITS- UND PRODUKTINFORMATIONEN
 FR - INFORMATIONS DE SÉCURITÉ ET DU PRODUIT
 NL - VEILIGHEIDS- EN PRODUCTINFORMATIE
 ES - INFORMACIÓN DE SEGURIDAD Y DEL PRODUCTO
 IT - INFORMAZIONI SULLA SICUREZZA E SUL PRODOTTO

SV - SÄKERHETS- OCH PRODUKTINFORMATION
 DA - SIKKERHEDS- OG PRODUKTINFORMATION
 NO - SIKKERHETS- OG PRODUKTINFORMASJON
 PL - INFORMACJE O BEZPIECZENSTWIE I PRODUKCJE
 CS - INFORMACE O BEZPEČNOSTI A PRODUKTU