
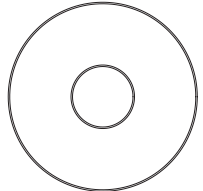
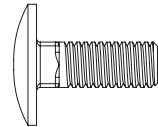
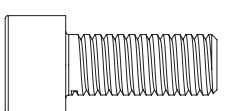

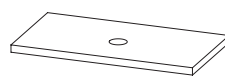
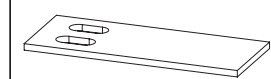
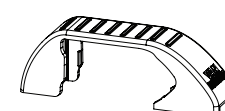
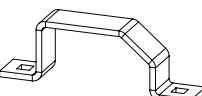




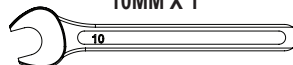
# IN8136

## ULTI Bars - X3


<p><b>FX4016 X12</b> (M6)</p> 	<p><b>FX4040 X8</b> (M8)</p> 	<p><b>FX4042 X12</b> (M6X16)</p> 	<p><b>FX4095 X8</b> (M8X20)</p> 	<p><b>MA6025 X8</b></p> 	<p><b>MA6071 X6</b></p> 	<p><b>MA6073 X2</b></p> 	<p><b>MA6065 X6</b></p> 
<p><b>ME0203 X6</b></p> 	<p><b>ME0734 X1</b></p> 		<p><b>ME0735 X1</b></p> 				

**TOOLS REQUIRED**




10MM X 1



6MM HEX / ALLEN KEY X 1



5MM HEX / ALLEN KEY X 1






EN - SAFETY AND PRODUCT INFORMATION  
 DE - SICHERHEITS- UND PRODUKTINFORMATIONEN  
 FR - INFORMATIONS DE SÉCURITÉ ET DU PRODUIT  
 NL - VEILIGHEIDS- EN PRODUCTINFORMATIE  
 ES - INFORMACIÓN DE SEGURIDAD Y DEL PRODUCTO  
 IT - INFORMAZIONI SULLA SICUREZZA E SUL PRODOTTO

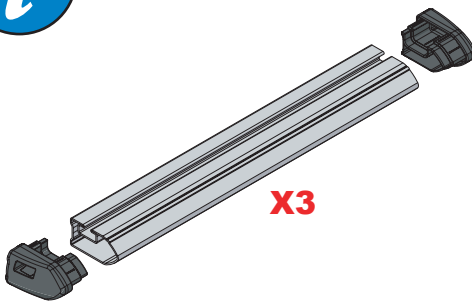
SV - SÄKERHETS- OCH PRODUKTINFORMATION  
 DA - SIKKERHEDS- OG PRODUKTINFORMATION  
 NO - SIKKERHETS- OG PRODUKTINFORMASJON  
 PL - INFORMACJE O BEZPIECZENSTWIE I PRODUKCIE  
 CS - INFORMACE O BEZPEČNOSTI A PRODUKTU



**Customercare@van-guard.co.uk**  
**UK +44 (0) 1392 368 351**



**MA6167**

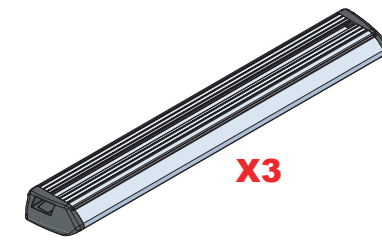


**X3**

**MA6166**

**ULTI Bar Trade**  
(Steel)

---



**X3**

**ULTI Bar+**  
(Aluminium)

This FITTING INSTRUCTION is the property of VAN GUARD ACCESSORIES LTD. and must not be used for manufacturing purposes, copied nor communicated in any way to third parties without written permission from VAN GUARD ACCESSORIES LTD.

IN8136\_F (CN:00183)

Van Guard Accessories Ltd  
 Fair Oak Close, Exeter Airport Business Park,  
 Exeter, Devon, EX5 2UL  
 www.van-guard.co.uk

# 267-3

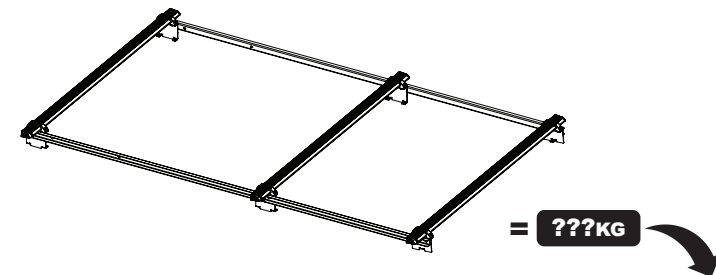
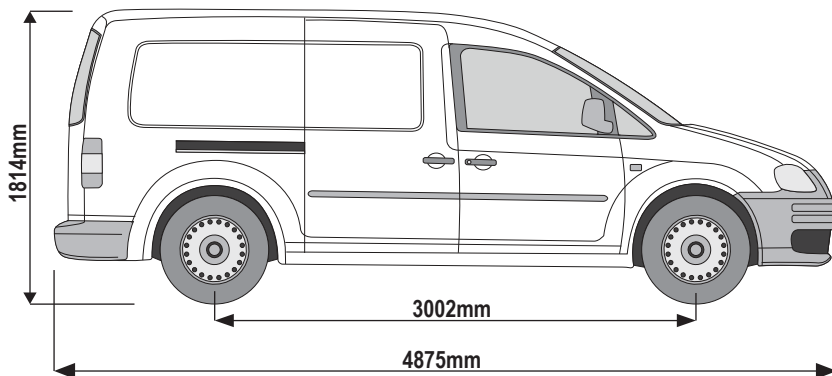
**Vehicle:**

Volkswagen Caddy: 2008 - 2010  
 Volkswagen Caddy: 2010 - 2020

**Wheel Base:** Maxi (L2)

**Roof Height:** Standard (H1)

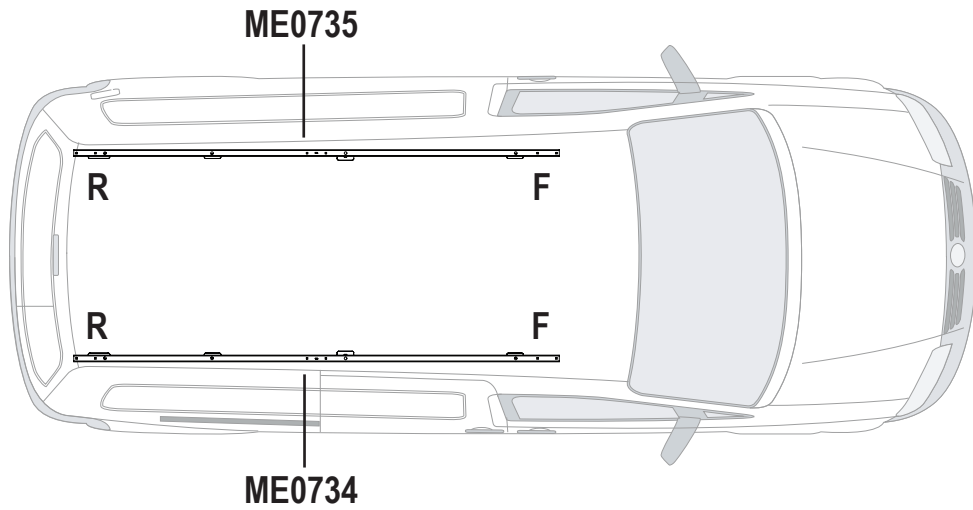
**Rear Doors:** Twin / Tailgate



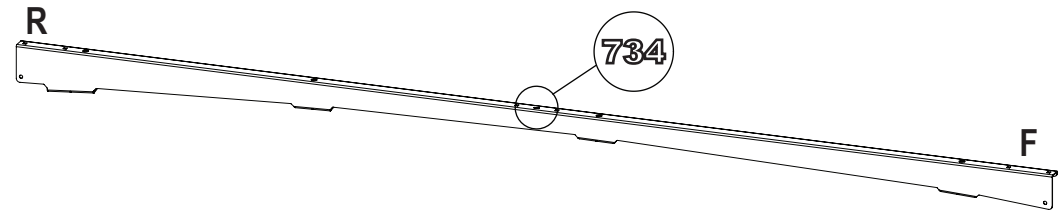
**ULTI Bar Trade (Steel) = 16.6KG**

**ULTI Bar+ (Aluminium) = 12.7KG**

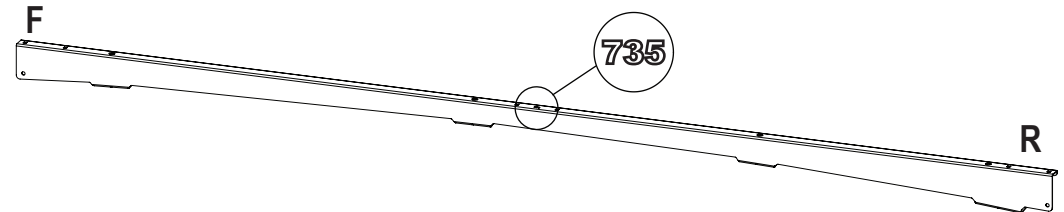
1



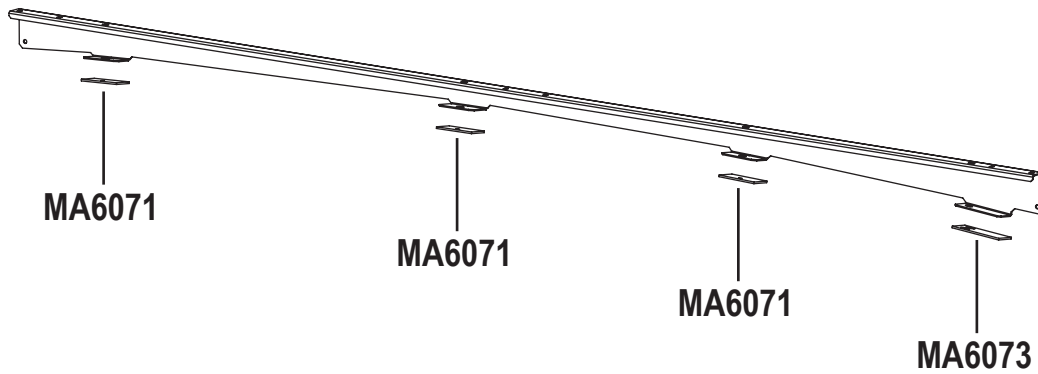
ME0734



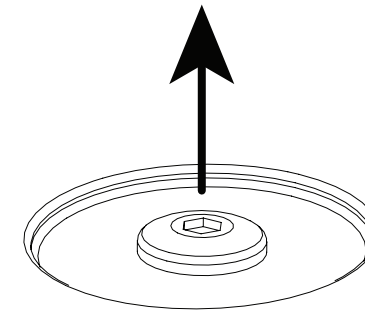
ME0735



2



3

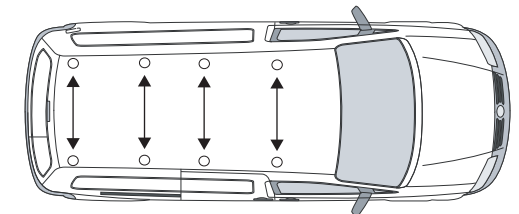
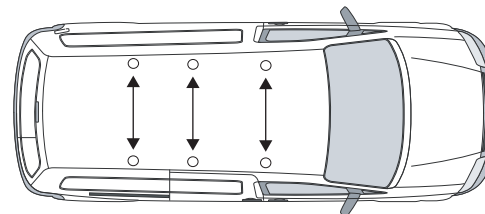


5MM HEX / ALLEN

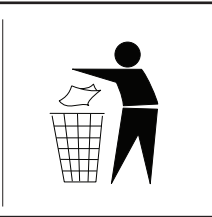
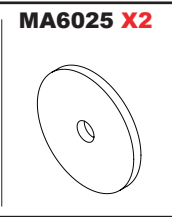
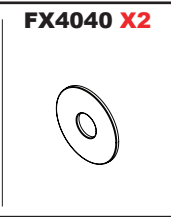
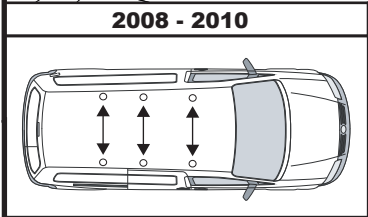
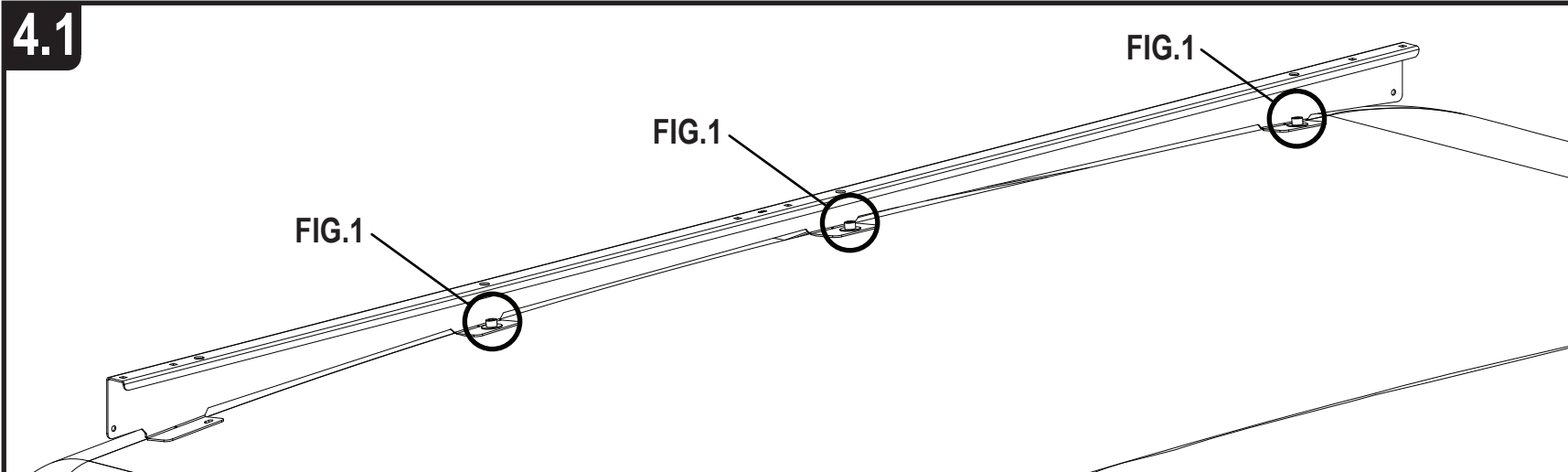


2008 - 2010 (STEP 4.1)

2010 - 2020 (STEP 4.2)

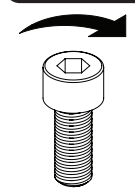


# 4.1

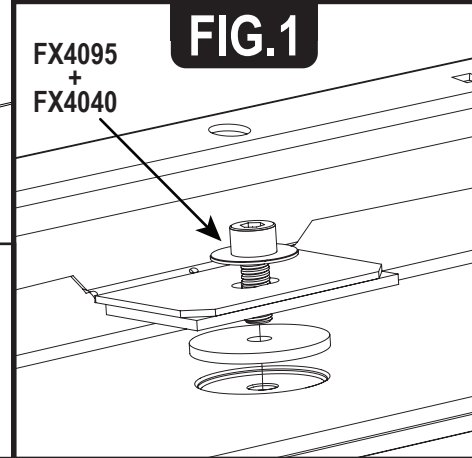


**GB.** If fitting to a 2008 - 2010 model there will be no rear fixing point. In this case the rear foot of the side rail rests on the roof as support and is not fixed as per the front and middle feet. If fitting to a 2010 - 2020 model please refer to step 4.2.

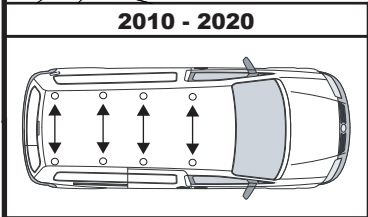
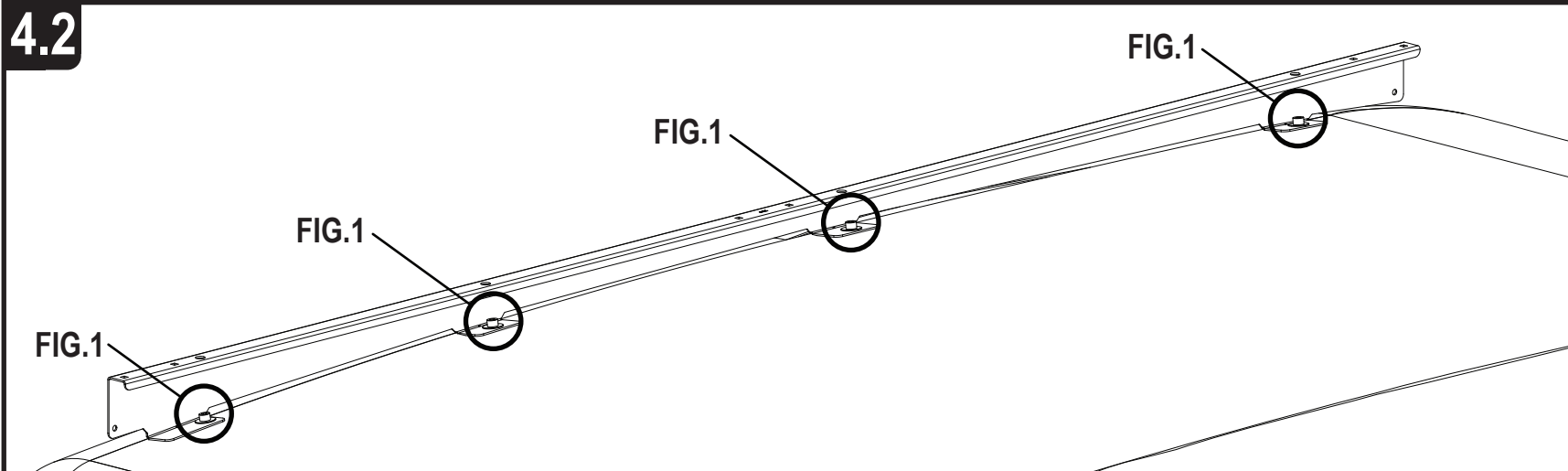
**15Nm**



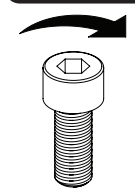
**FIG.1**



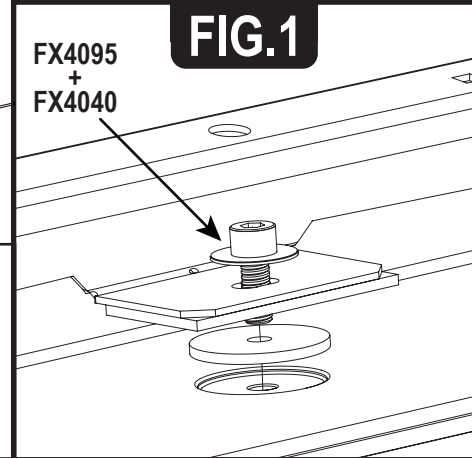
# 4.2



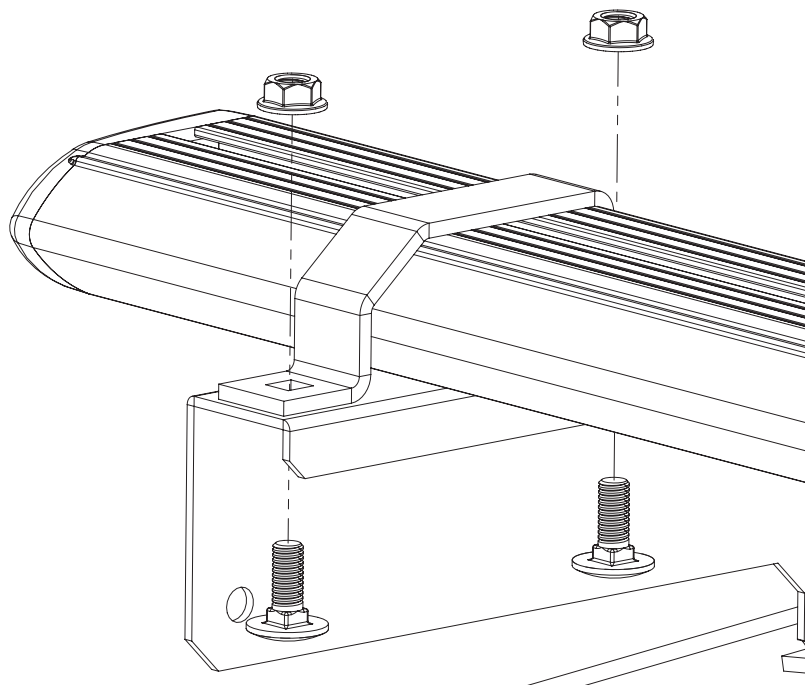
**15Nm**



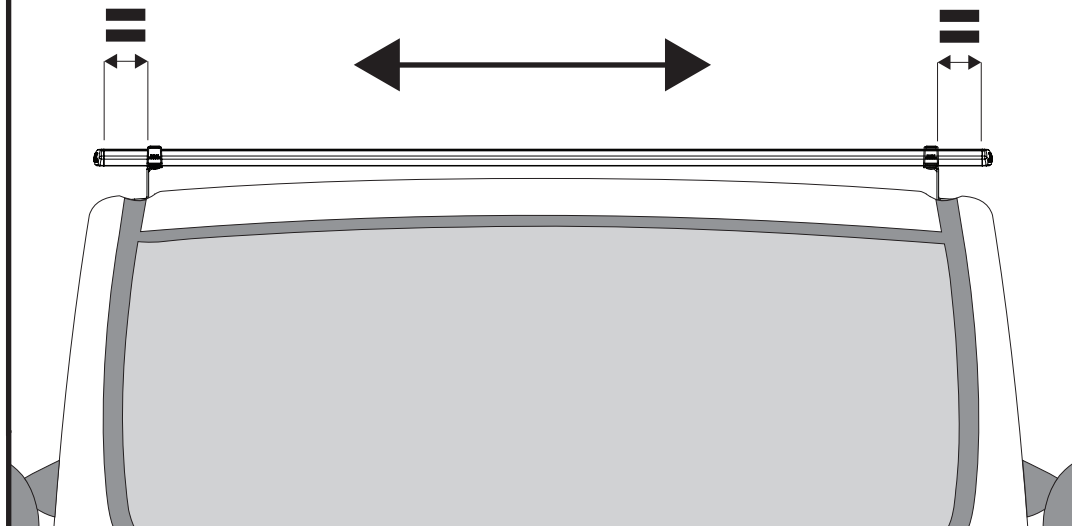
**FIG.1**



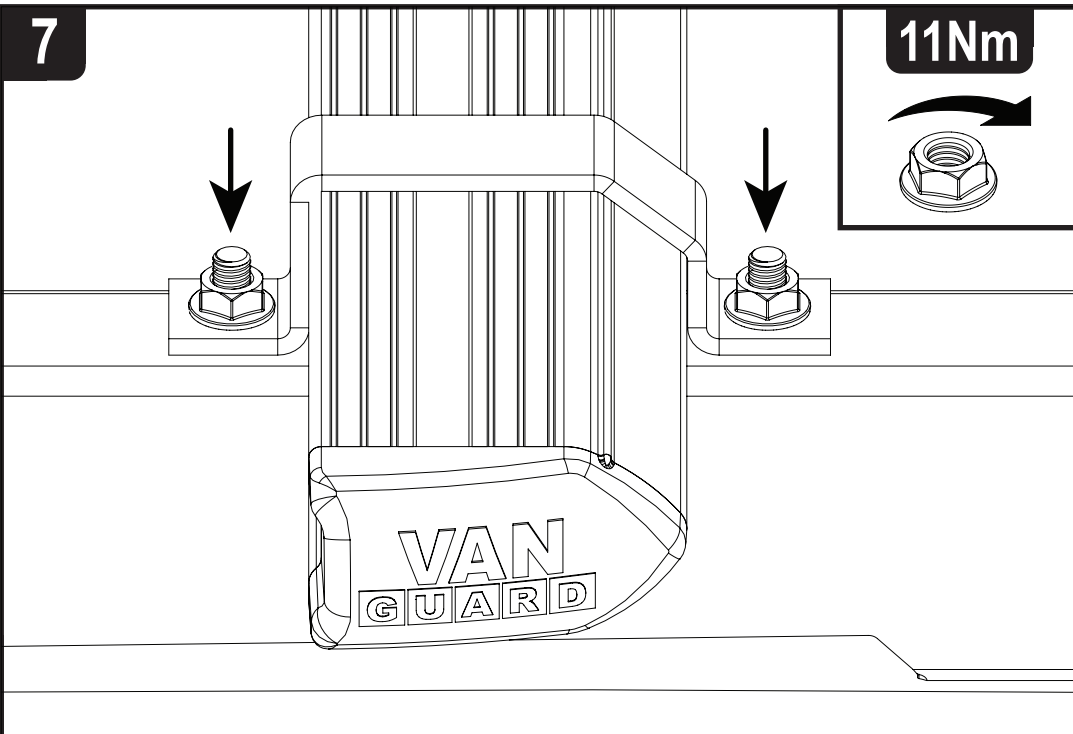
5

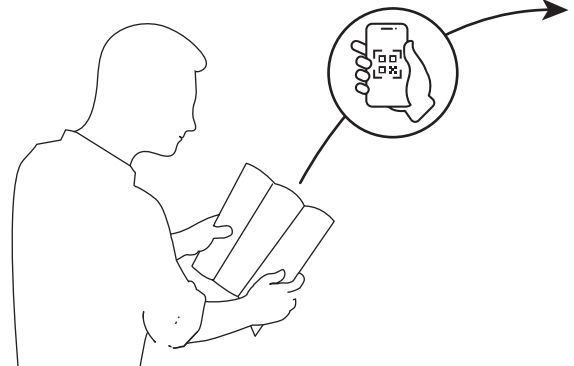
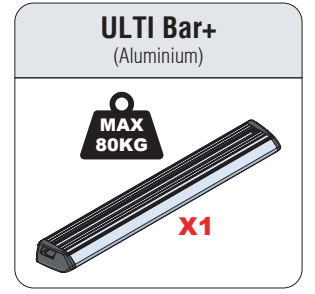
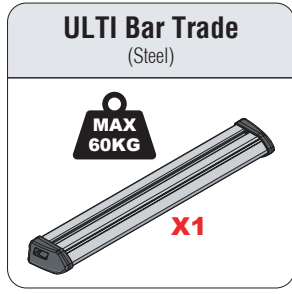
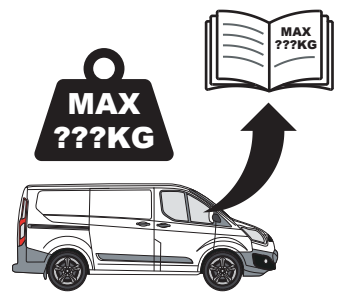
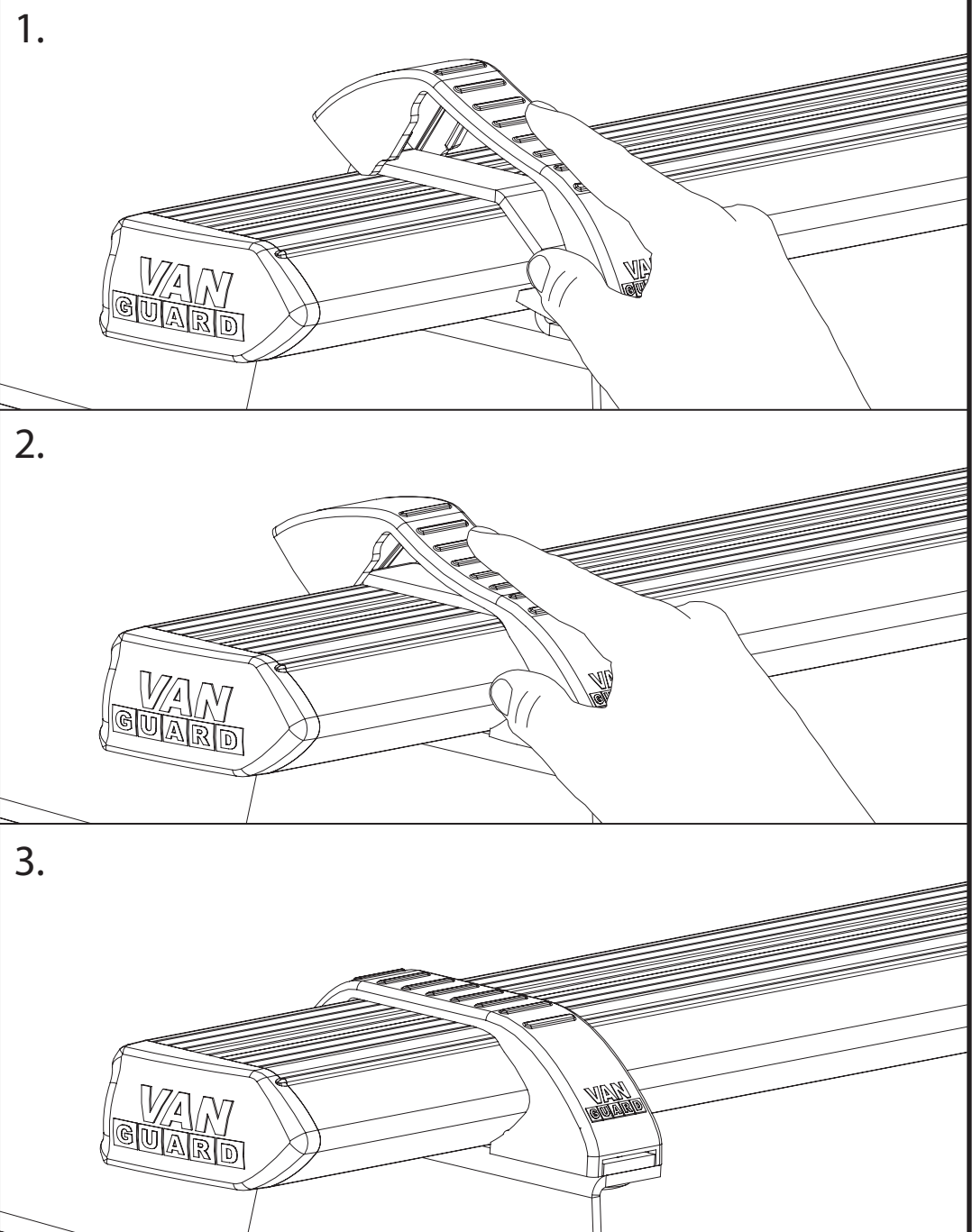


6



7





**EN** - SAFETY AND PRODUCT INFORMATION  
**DE** - SICHERHEITS- UND PRODUKTINFORMATIONEN  
**FR** - INFORMATIONS DE SÉCURITÉ ET DU PRODUIT  
**NL** - VEILIGHEIDS- EN PRODUCTINFORMATIE  
**ES** - INFORMACIÓN DE SEGURIDAD Y DEL PRODUCTO  
**IT** - INFORMAZIONI SULLA SICUREZZA E SUL PRODOTTO

**SV** - SÄKERHETS- OCH PRODUKTINFORMATION  
**DA** - SIKKERHEDS- OG PRODUKTINFORMATION  
**NO** - SIKKERHETS- OG PRODUKTINFORMASJON  
**PL** - INFORMACJE O BEZPIECZENSTWIE I PRODUKCJE  
**CS** - INFORMACE O BEZPEČNOSTI A PRODUKTU