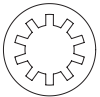
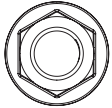
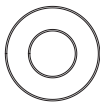
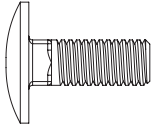
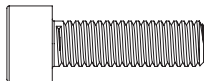


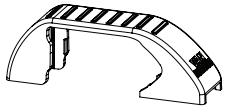
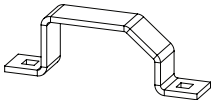
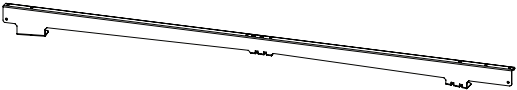

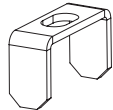
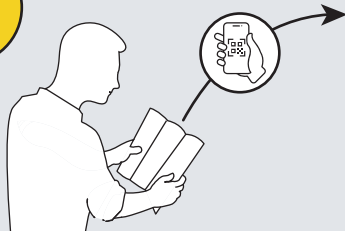
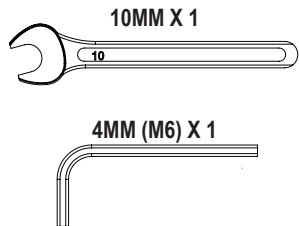


# IN8141

## ULTI Bars - X3

<b>FX4010 X4</b> (M6) 	<b>FX4016 X12</b> (M6) 	<b>FX4017 X4</b> (M6) 	<b>FX4042 X12</b> (M6X16) 	<b>FX4094 X4</b> (M6X20) 	<b>MA6076 X2</b> (100MM X 40MM) 	<b>MA6079 X4</b> (75MM X 30MM) 	<b>MA6065 X6</b> 
<b>ME0203 X6</b> 	<b>ME0828 X1</b> 		<b>ME0829 X1</b> 		<b>ME0830 X4</b> 		

### TOOLS REQUIRED

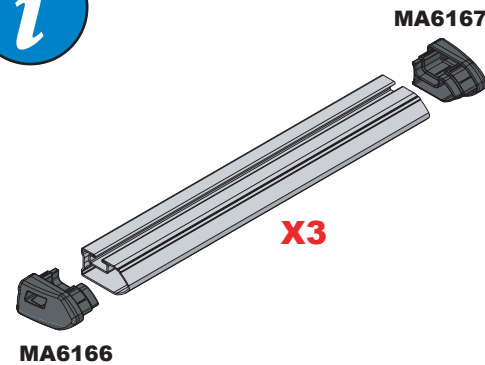


EN - SAFETY AND PRODUCT INFORMATION  
 DE - SICHERHEITS- UND PRODUKTINFORMATIONEN  
 FR - INFORMATIONS DE SÉCURITÉ ET DU PRODUIT  
 NL - VEILIGHEIDS- EN PRODUCTINFORMATIE  
 ES - INFORMACIÓN DE SEGURIDAD Y DEL PRODUCTO  
 IT - INFORMAZIONI SULLA SICUREZZA E SUL PRODOTTO

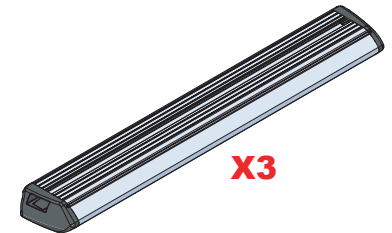
SV - SÄKERHETS- OCH PRODUKTINFORMATION  
 DA - SIKKERHEDS- OG PRODUKTINFORMATION  
 NO - SIKKERHETS- OG PRODUKTINFORMASJON  
 PL - INFORMACJE O BEZPIECZENSTWIE I PRODUKCIE  
 CS - INFORMACE O BEZPEČNOSTI A PRODUKTU



**Customercare@van-guard.co.uk**  
**UK +44 (0) 1392 368 351**



**ULTI Bar Trade**  
(Steel)



**ULTI Bar+**  
(Aluminium)

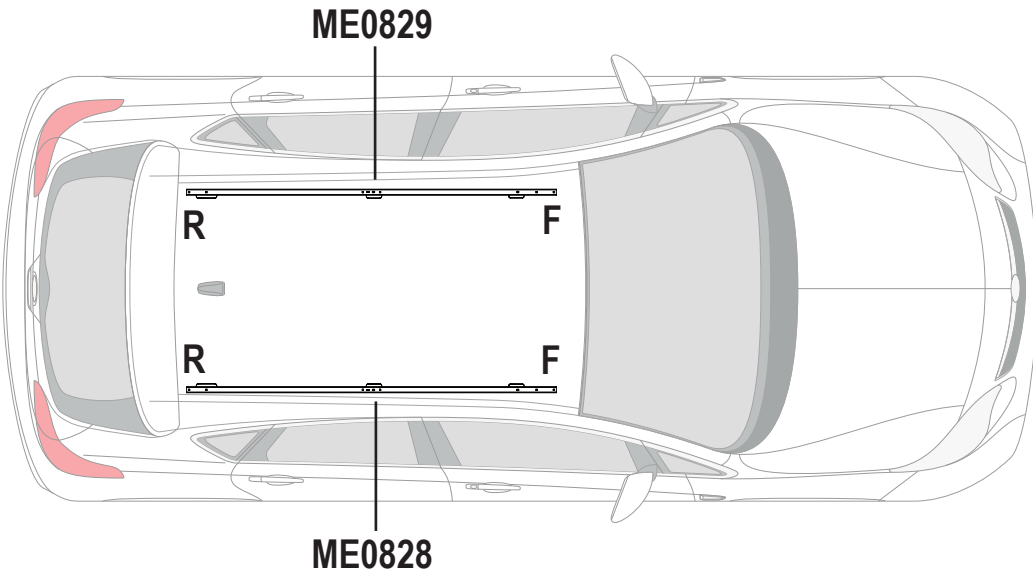
This FITTING INSTRUCTION is the property of VAN GUARD ACCESSORIES LTD. and must not be used for manufacturing purposes, copied nor communicated in any way to third parties without written permission from VAN GUARD ACCESSORIES LTD.

IN8141\_D (CN:00183)

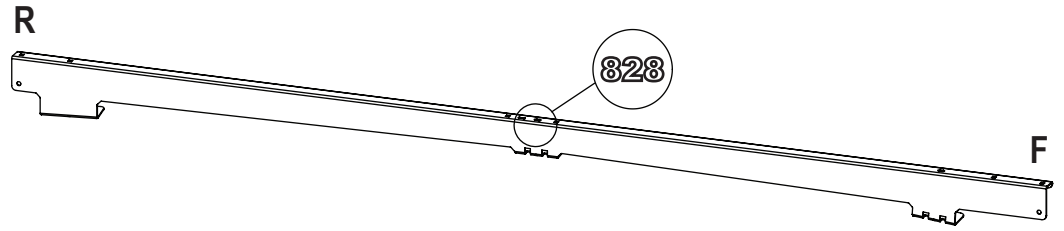
Van Guard Accessories Ltd  
 Fair Oak Close, Exeter Airport Business Park,  
 Exeter, Devon, EX5 2UL

[www.van-guard.co.uk](http://www.van-guard.co.uk)

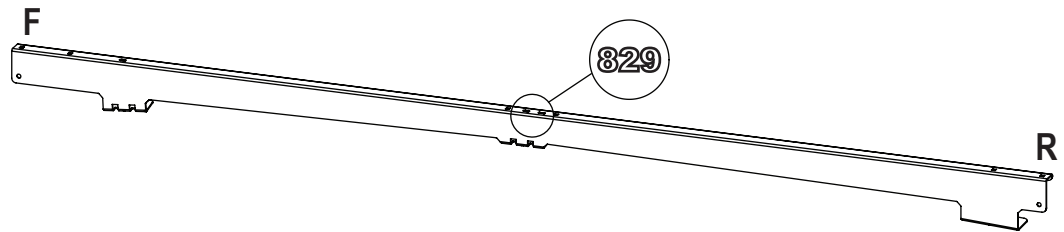
**1** The side rails are handed to suit both sides of the vehicle.



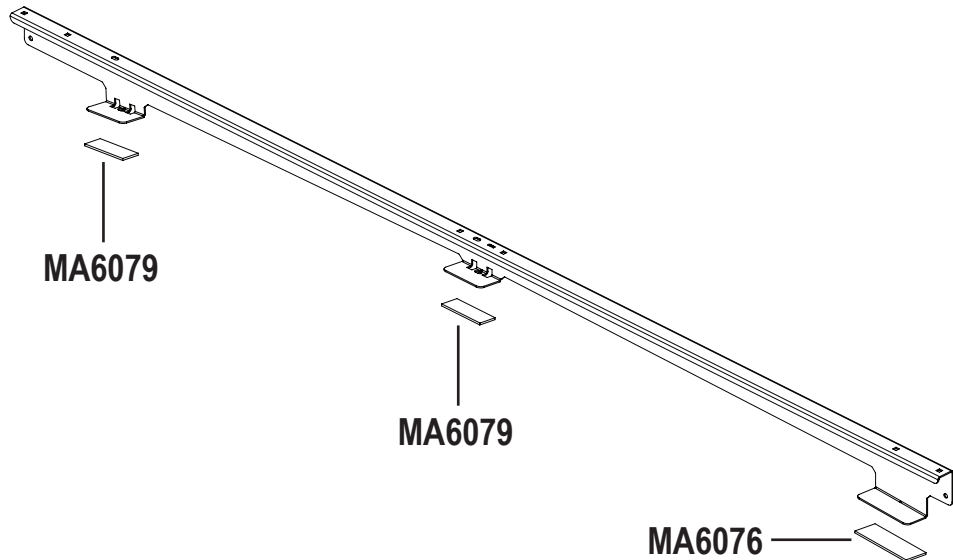
ME0828



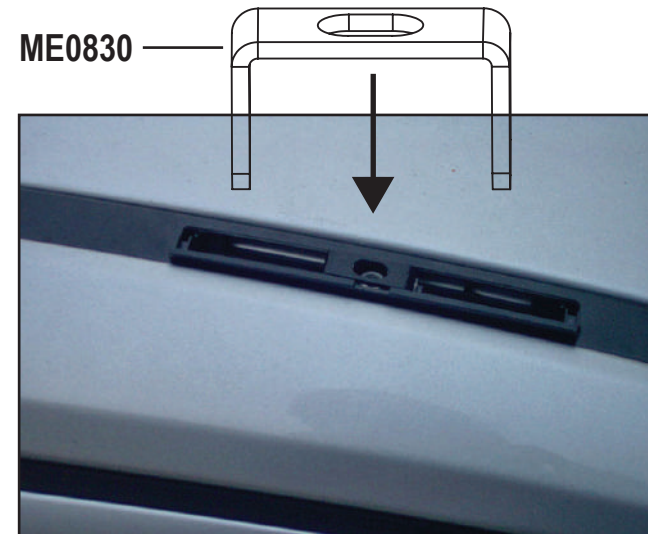
ME0829



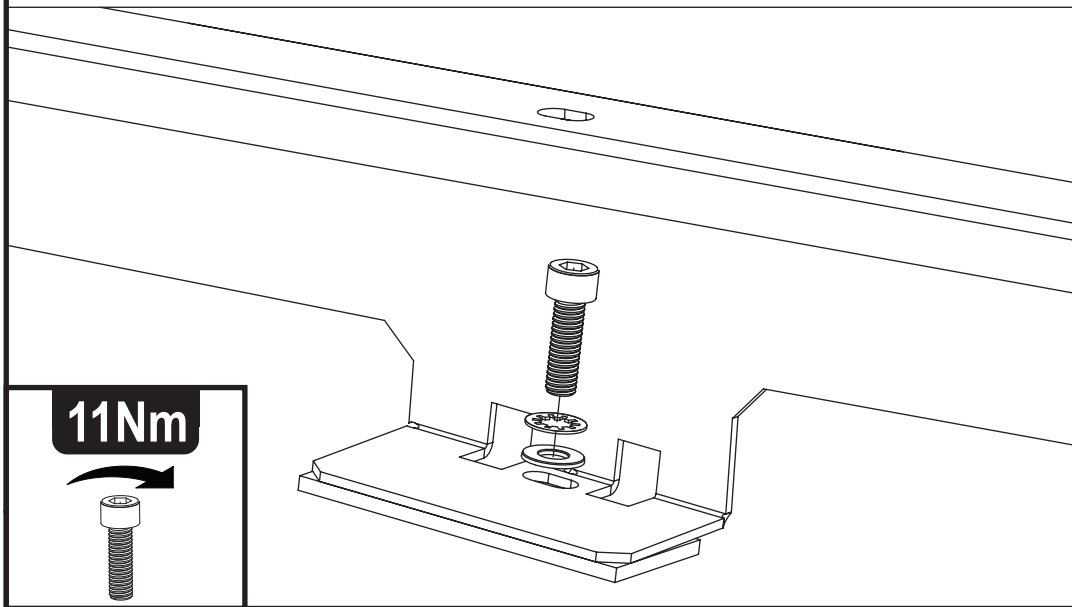
**2** Stick rubber pads to the underside of the side rail feet.



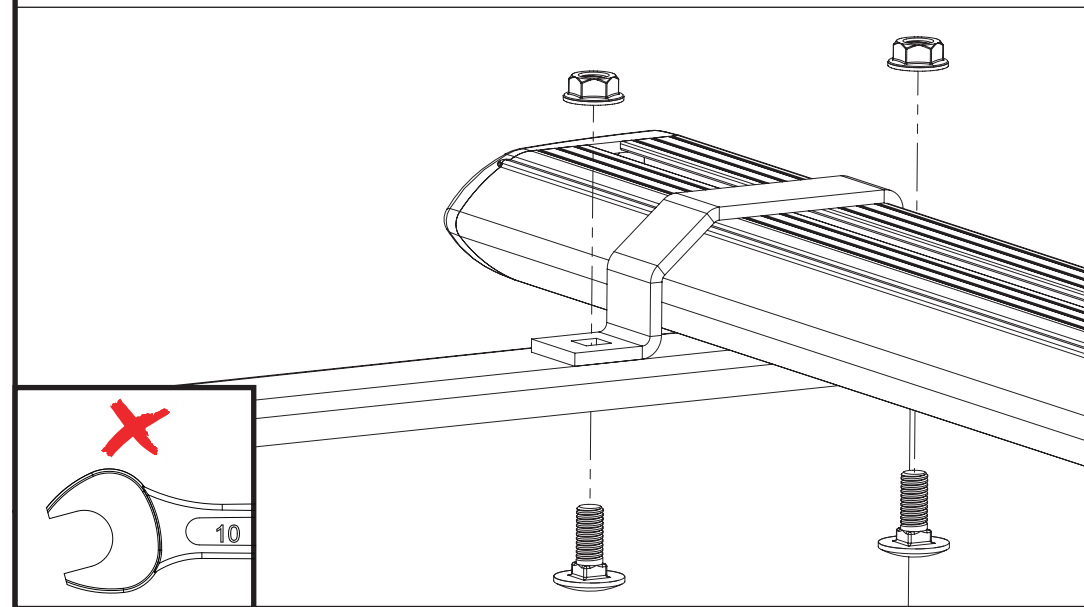
**3** Lift the vehicle roof fixing point covers and insert the 'U' brace plates over the threaded inserts. Please note there is no fixing for the rear foot of the side rail, this therefore rests on the roof as a support foot.



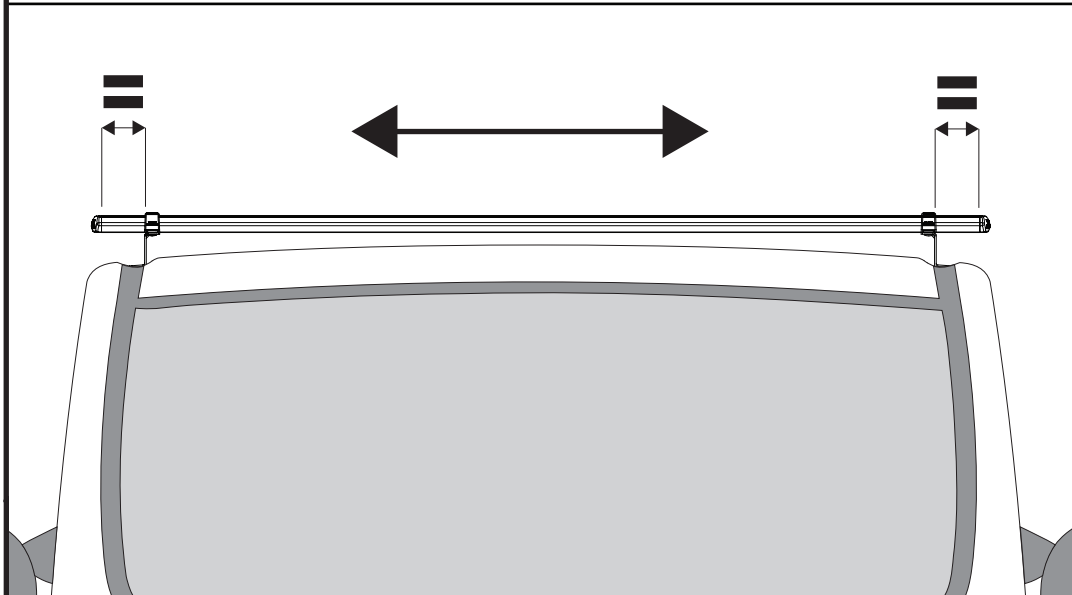
**4** Secure the side rails to the fixing points using M6x20 allen bolts, M6 shakeproofs & M6 washers. Ensure that the top hat flange is facing inwards.



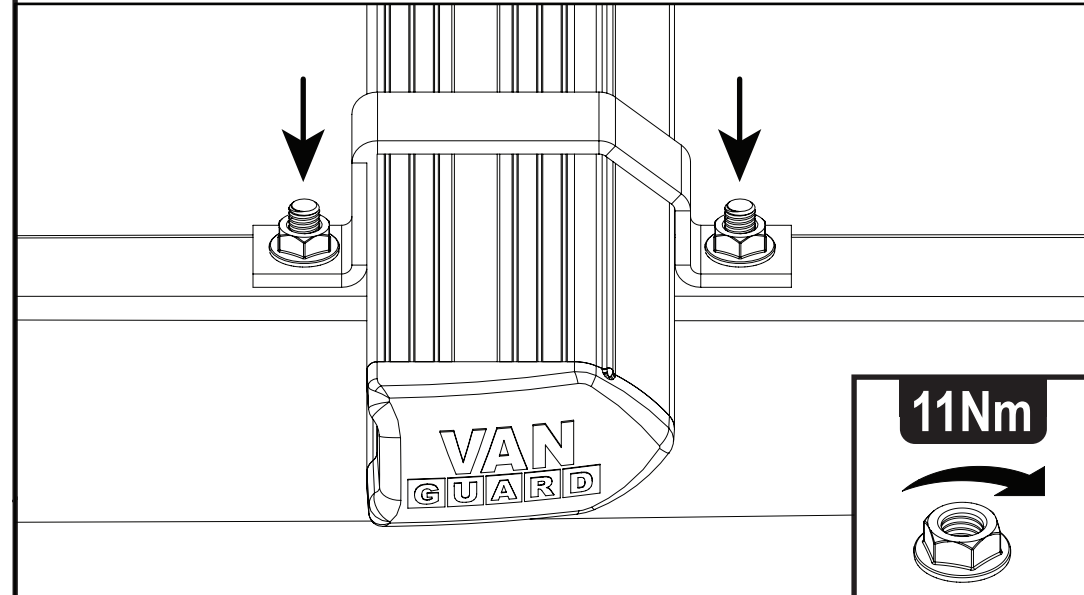
**5** Place roof bars onto the side rails with the t-track facing upwards and loosely secure using top hat brackets, M6x16 coach bolts & M6 serrated nuts.

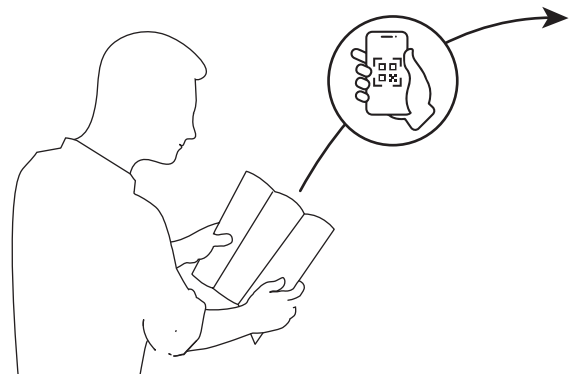
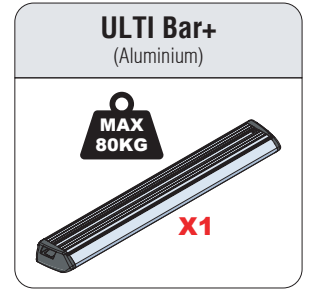
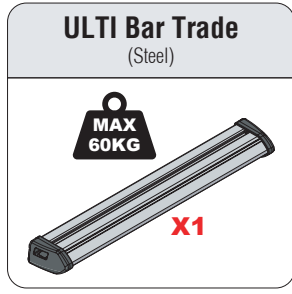
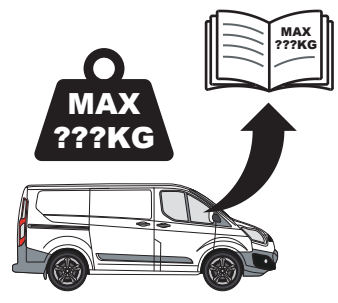
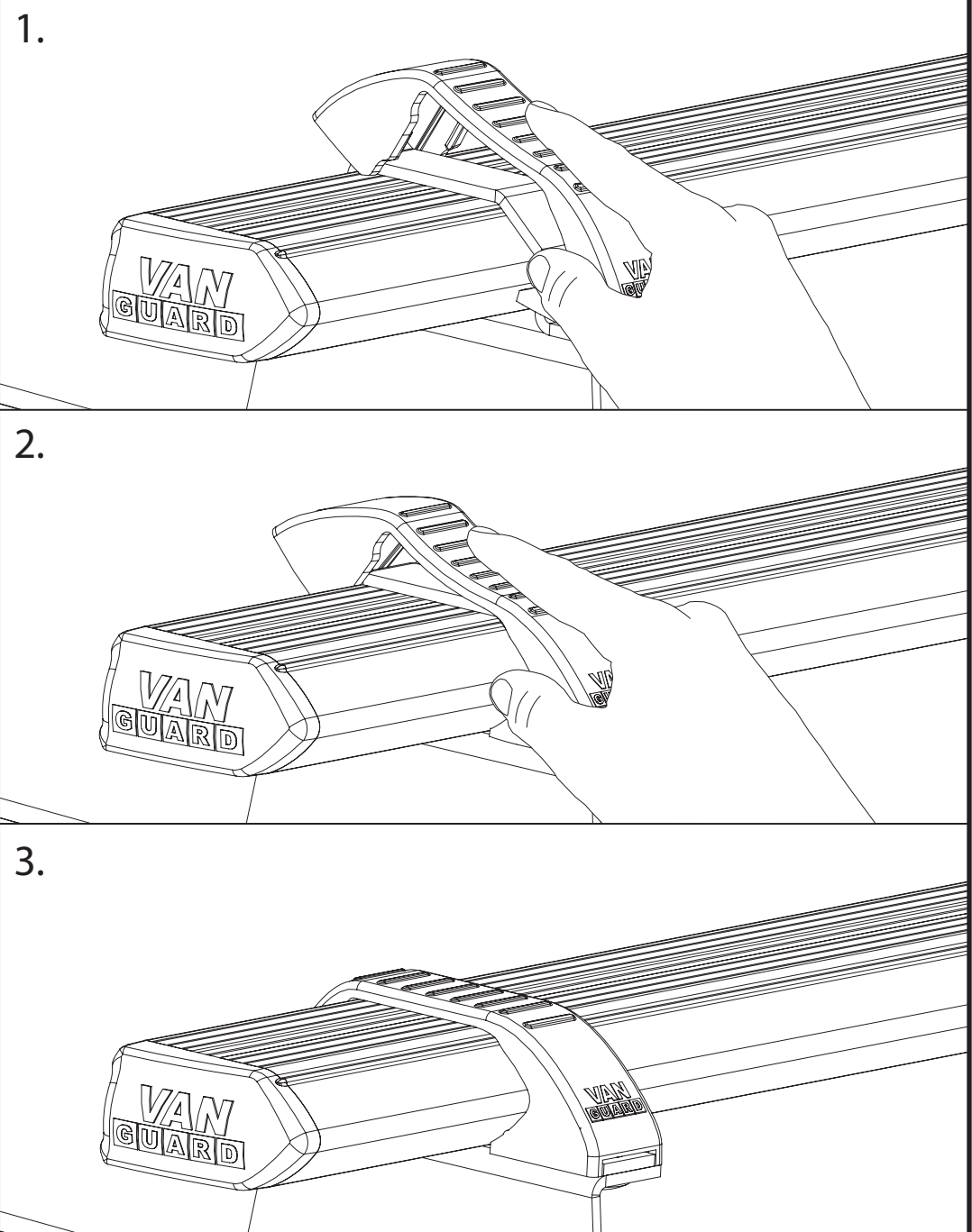


**6** Adjust the roof bars to ensure that they are evenly spaced on the vehicle.



**7** Tighten the roof bar fixings to 11Nm.





**EN** - SAFETY AND PRODUCT INFORMATION  
**DE** - SICHERHEITS- UND PRODUKTINFORMATIONEN  
**FR** - INFORMATIONS DE SÉCURITÉ ET DU PRODUIT  
**NL** - VEILIGHEIDS- EN PRODUCTINFORMATIE  
**ES** - INFORMACIÓN DE SEGURIDAD Y DEL PRODUCTO  
**IT** - INFORMAZIONI SULLA SICUREZZA E SUL PRODOTTO

**SV** - SÄKERHETS- OCH PRODUKTINFORMATION  
**DA** - SIKKERHEDS- OG PRODUKTINFORMATION  
**NO** - SIKKERHETS- OG PRODUKTINFORMASJON  
**PL** - INFORMACJE O BEZPIECZENSTWIE I PRODUKCJE  
**CS** - INFORMACE O BEZPEČNOSTI A PRODUKTU