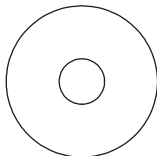
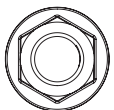
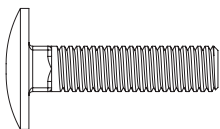
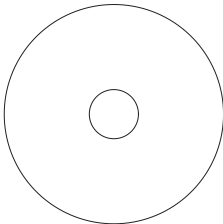
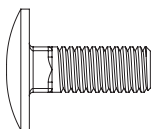
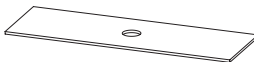
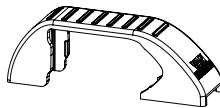
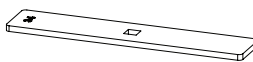
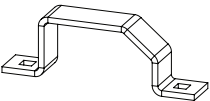
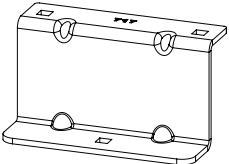


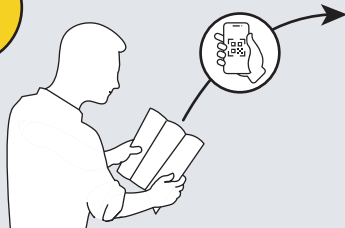
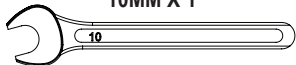
IN8145

ULTI Bars - X4

<p>FX4014 X8 (RUBBER)</p> 	<p>FX4016 X24 (M6)</p> 	<p>FX4022 X8 (M6X25)</p> 	<p>FX4023 X8</p> 	<p>FX4042 X16 (M6X16)</p> 	<p>MA6018 X8</p> 	<p>MA6065 X8</p> 	<p>ME0034 X8</p> 
<p>ME0203 X8</p> 	<p>ME0717 X8</p> 						

TOOLS REQUIRED

10MM X 1

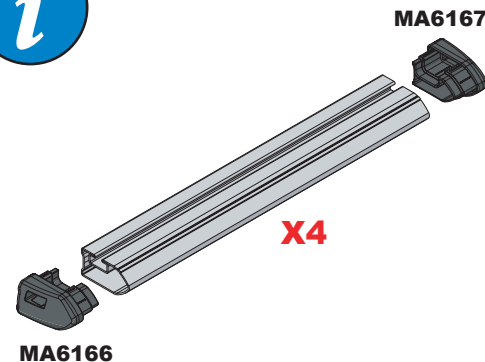


EN - SAFETY AND PRODUCT INFORMATION
 DE - SICHERHEITS- UND PRODUKTINFORMATIONEN
 FR - INFORMATIONS DE SÉCURITÉ ET DU PRODUIT
 NL - VEILIGHEIDS- EN PRODUCTINFORMATIE
 ES - INFORMACIÓN DE SEGURIDAD Y DEL PRODUCTO
 IT - INFORMAZIONI SULLA SICUREZZA E SUL PRODOTTO

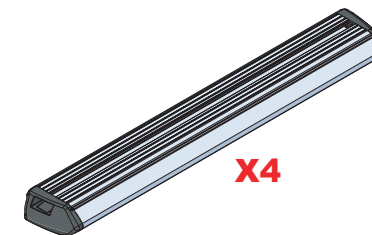
SV - SÄKERHETS- OCH PRODUKTINFORMATION
 DA - SIKKERHEDS- OG PRODUKTINFORMATION
 NO - SIKKERHETS- OG PRODUKTINFORMASJON
 PL - INFORMACJE O BEZPIECZENSTWIE I PRODUKCIE
 CS - INFORMACE O BEZPEČNOSTI A PRODUKTU



Customercare@van-guard.co.uk
UK +44 (0) 1392 368 351



ULTI Bar Trade
(Steel)



ULTI Bar+
(Aluminium)

This FITTING INSTRUCTION is the property of VAN GUARD ACCESSORIES LTD. and must not be used for manufacturing purposes, copied nor communicated in any way to third parties without written permission from VAN GUARD ACCESSORIES LTD.

IN8145_E (CN:00183)

Van Guard Accessories Ltd
 Fair Oak Close, Exeter Airport Business Park,
 Exeter, Devon, EX5 2UL

www.van-guard.co.uk

236-4

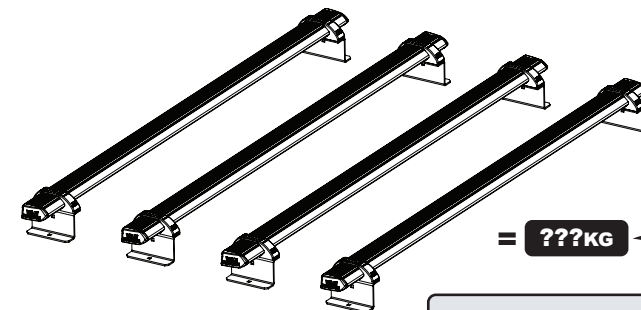
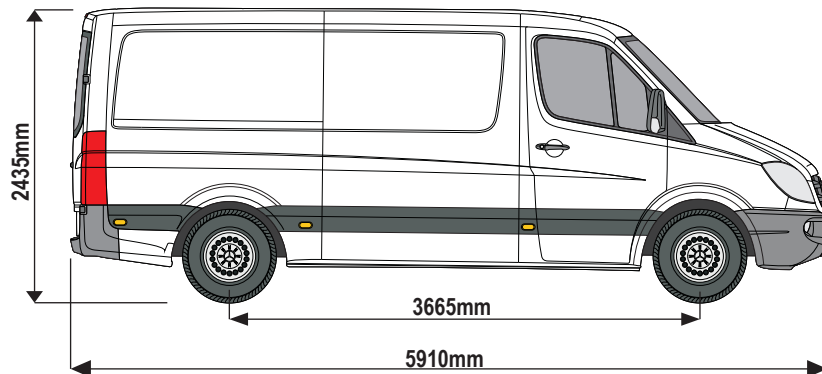
Vehicle:

Mercedes Sprinter: 2006 on
Volkswagen Crafter: 2006 - 2017

Wheel Base: MWB (L2)

Roof Height: Standard (H1)

Rear Doors: Twin



= ???KG

ULTI Bar Trade (Steel) = **17.4KG**

ULTI Bar+ (Aluminium) = **11.2KG**

236-4

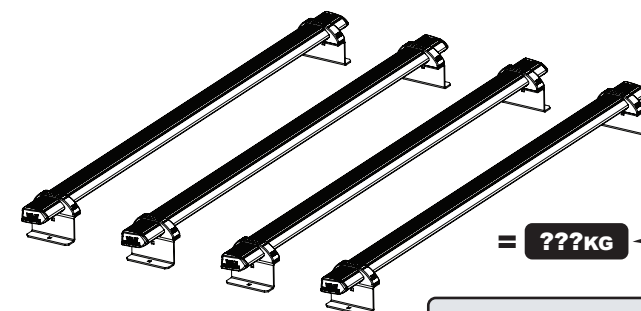
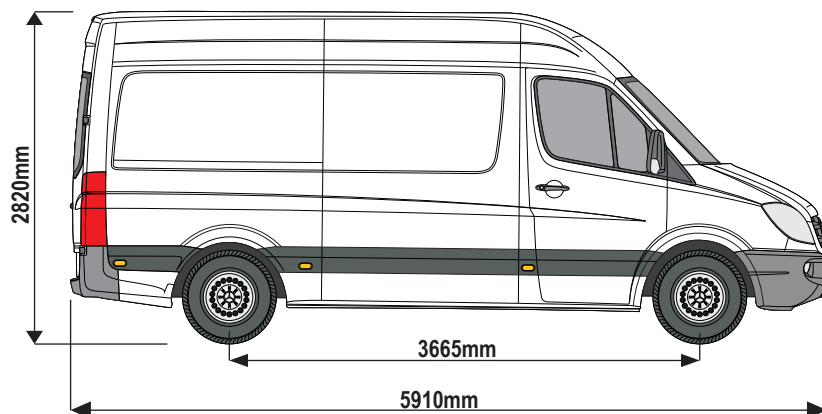
Vehicle:

Mercedes Sprinter: 2006 on
Volkswagen Crafter: 2006 - 2017

Wheel Base: MWB (L2)

Roof Height: High (H2)

Rear Doors: Twin



= ???KG

ULTI Bar Trade (Steel) = **17.4KG**

ULTI Bar+ (Aluminium) = **11.2KG**

236-4

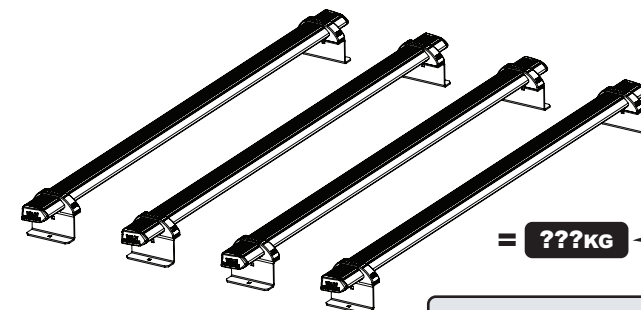
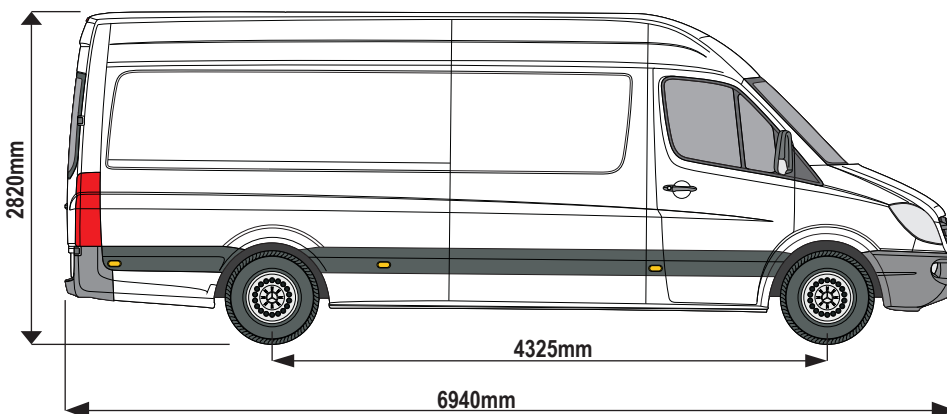
Vehicle:

Mercedes Sprinter: 2006 on
Volkswagen Crafter: 2006 - 2017

Wheel Base: LWB (L3)

Roof Height: High (H2)

Rear Doors: Twin



= ???KG

ULTI Bar Trade (Steel) = **17.4KG**

ULTI Bar+ (Aluminium) = **11.2KG**

236-4

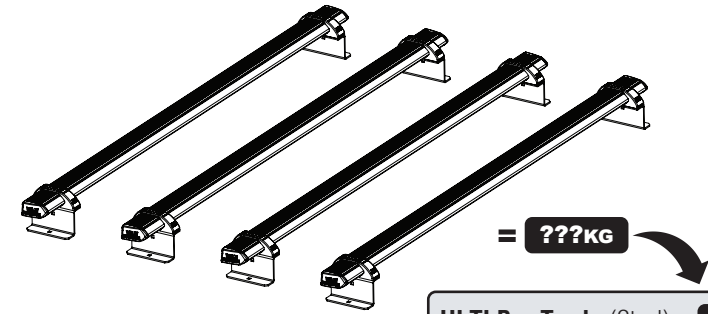
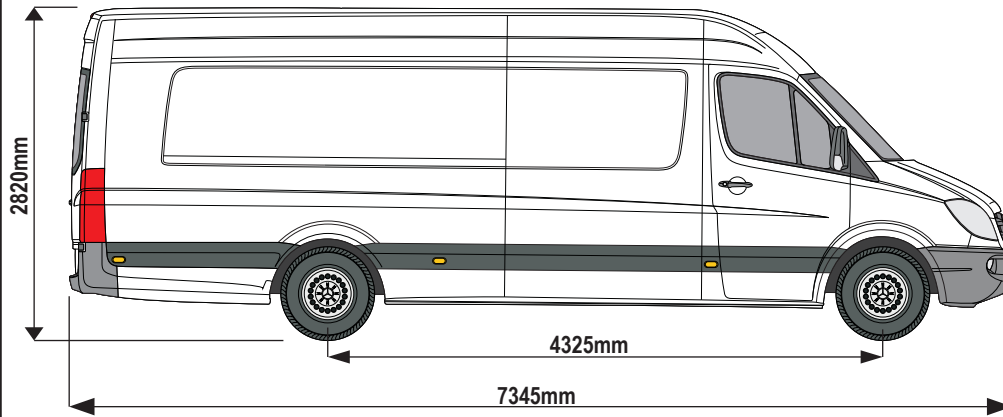
Vehicle:

Mercedes Sprinter: 2006 on
Volkswagen Crafter: 2006 - 2017

Wheel Base: XLWB (L4)

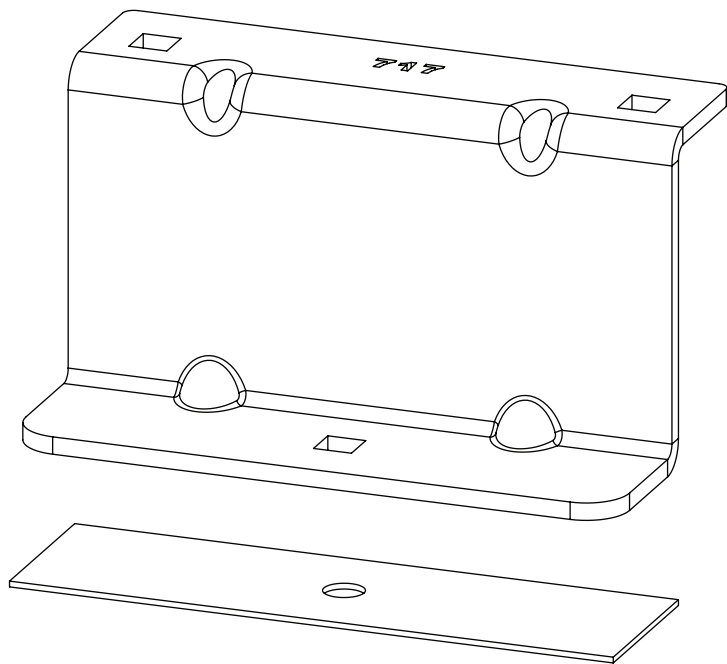
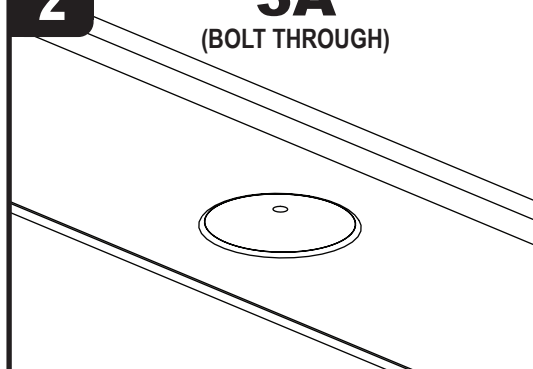
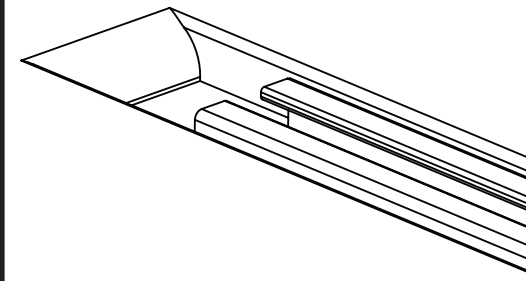
Roof Height: High (H2)

Rear Doors: Twin



ULTI Bar Trade (Steel) = 17.4KG

ULTI Bar+ (Aluminium) = 11.2KG

1**2****3A**
(BOLT THROUGH)**3B**
(T-TRACK)

GB: Check the vehicles fixing points to determine which type you have (A or B) and follow the relevant steps.



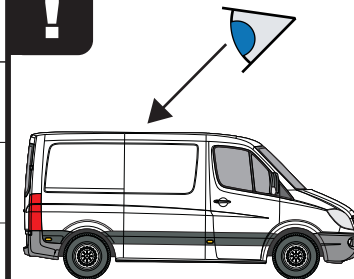
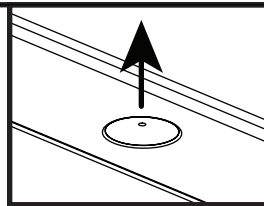
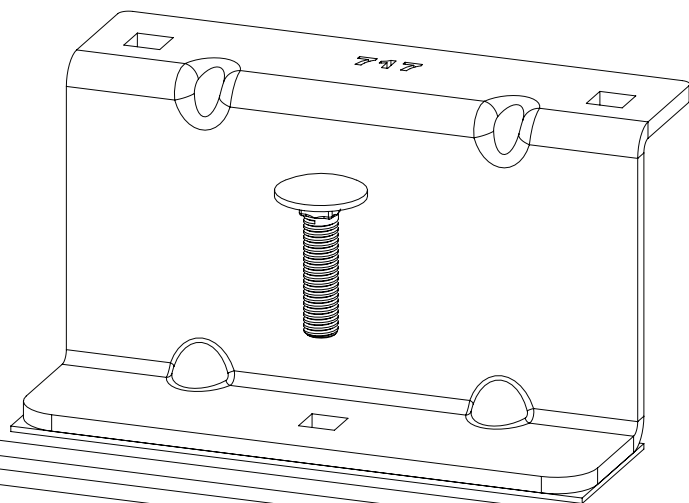
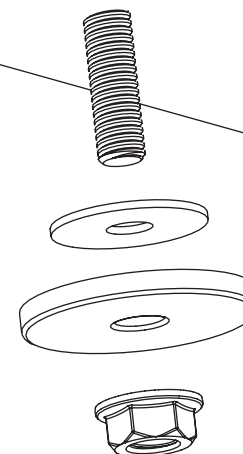
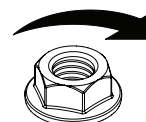
FR: Vérifiez les véhicules deux points de fixation Déterminer le type de som vous avez la (A ou B) et suivez les étapes appropriées.



DE: Schauen Sie sich die Fahrzeuge Punkt zu befestigen, um zu bestimmen qui wie Sie-haben (A oder B) und die entsprechenden Schritte folgen.

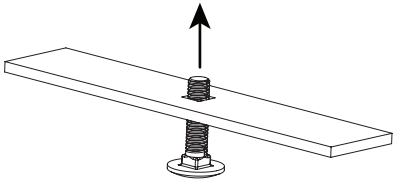


DK: Tjek de køretøjer, fastsættelse af punkt til at bestemme qui ligesom du-have (A eller B) og følge de relevante trin.

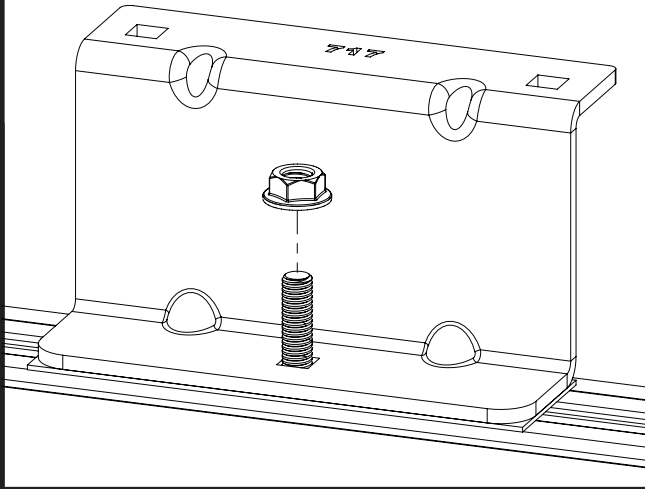
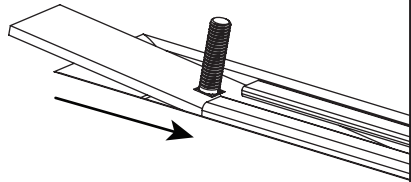
**3A****11Nm**

3B

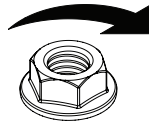
1. 3.



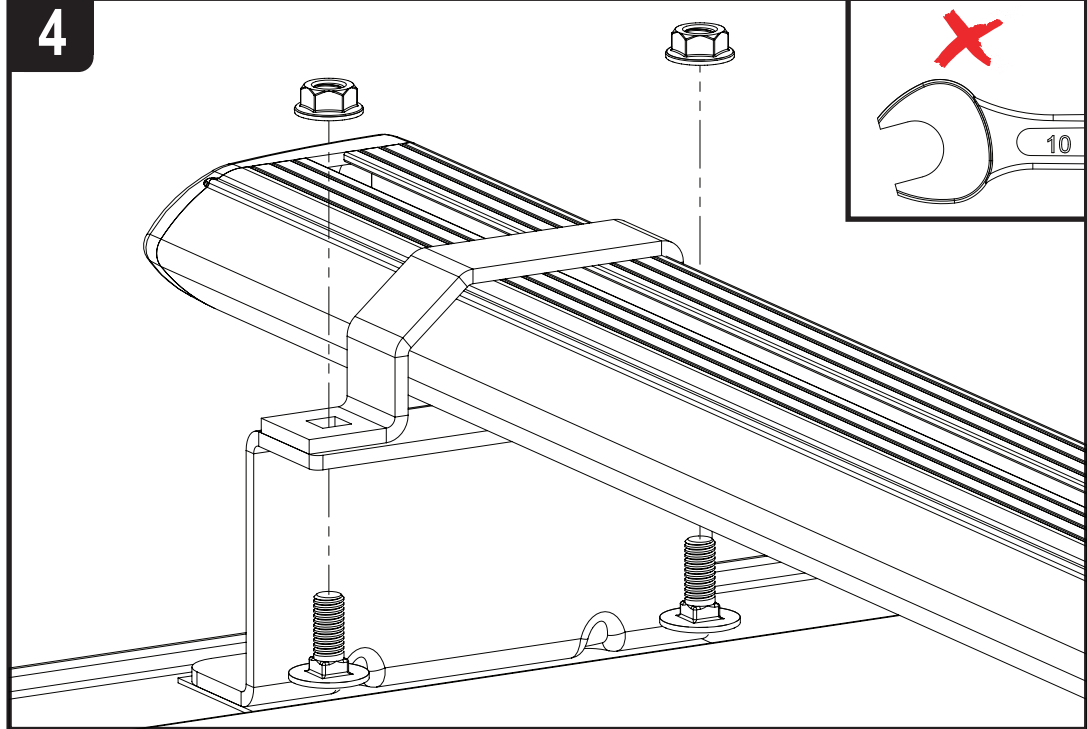
2.



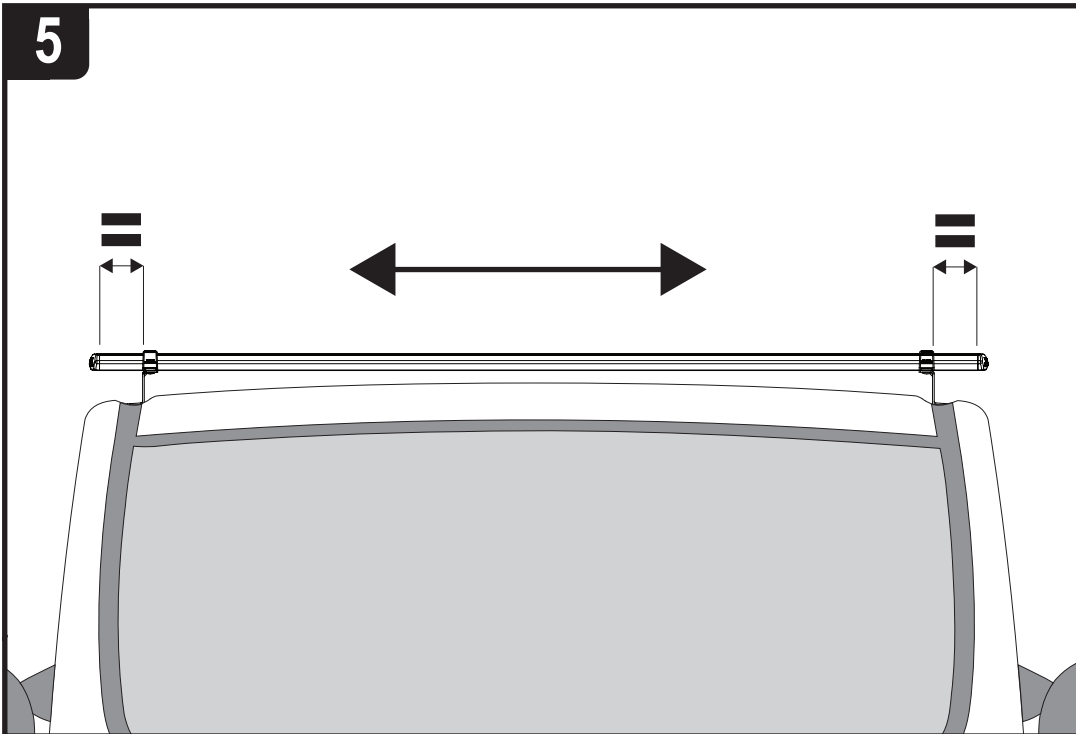
11Nm



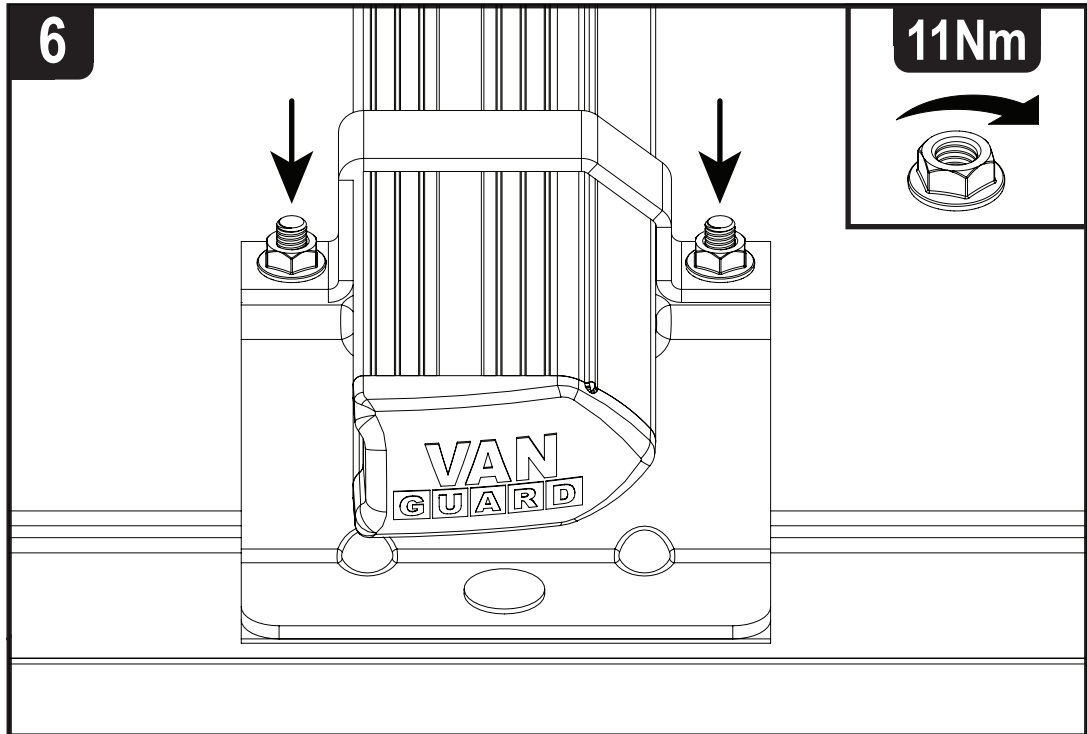
4



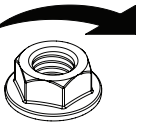
5



6

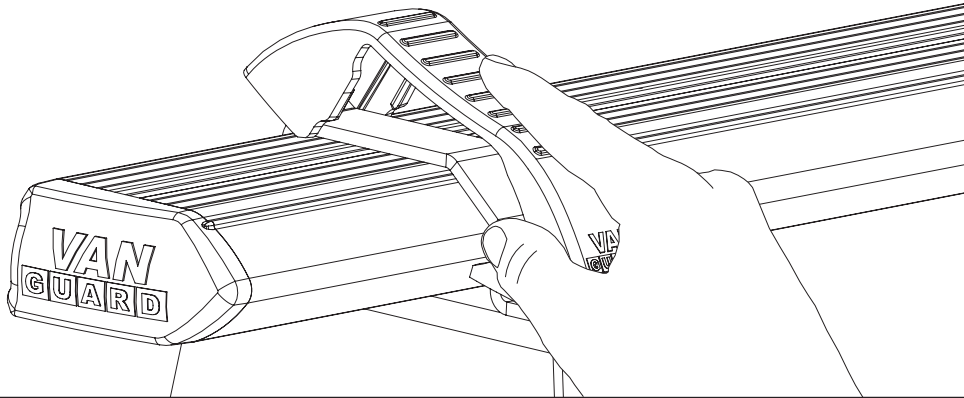


11Nm

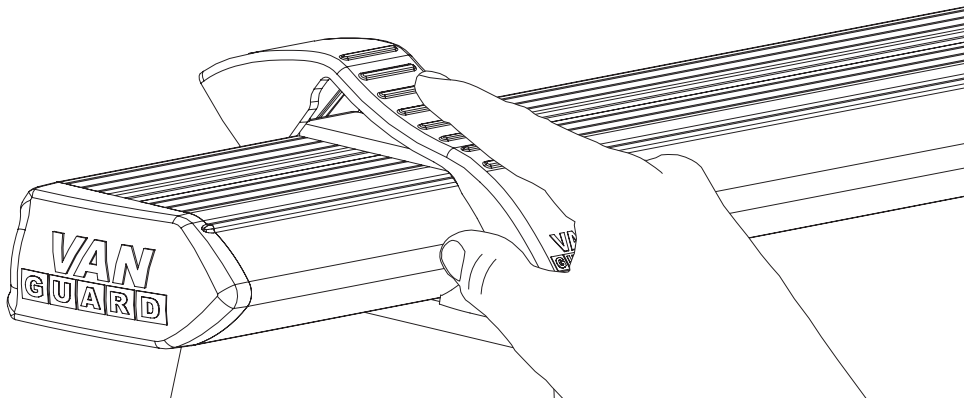


7

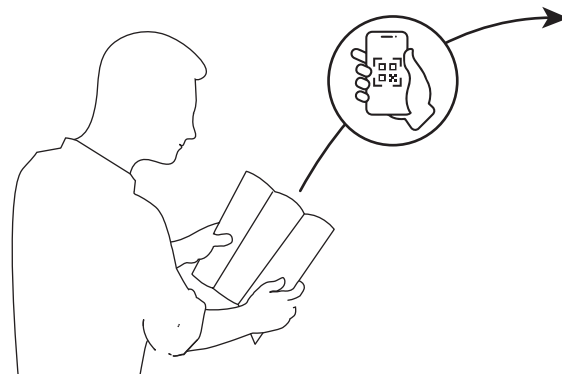
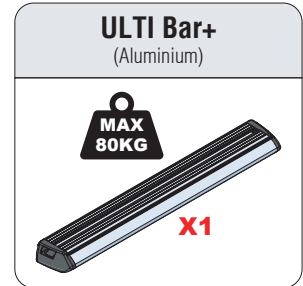
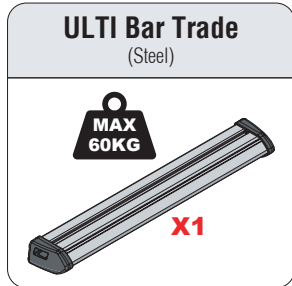
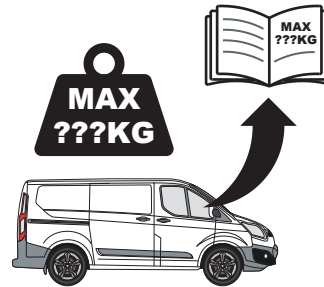
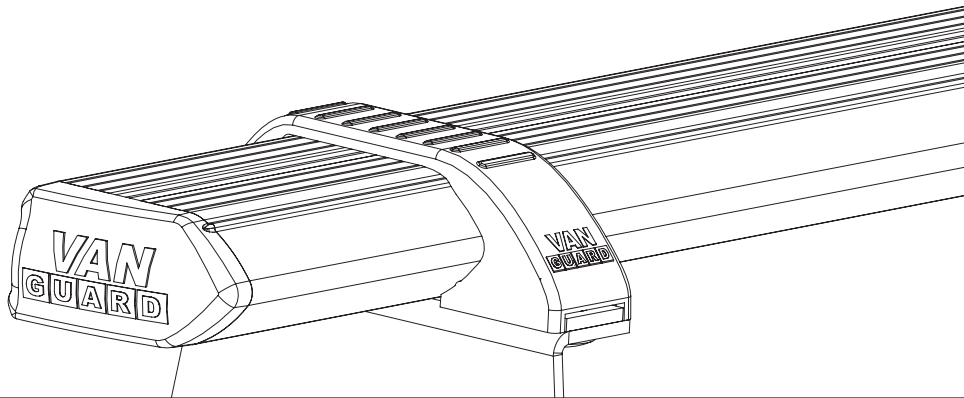
1.



2.



3.



EN - SAFETY AND PRODUCT INFORMATION
 DE - SICHERHEITS- UND PRODUKTINFORMATIONEN
 FR - INFORMATIONS DE SÉCURITÉ ET DU PRODUIT
 NL - VEILIGHEIDS- EN PRODUCTINFORMATIE
 ES - INFORMACIÓN DE SEGURIDAD Y DEL PRODUCTO
 IT - INFORMAZIONI SULLA SICUREZZA E SUL PRODOTTO

SV - SÄKERHETS- OCH PRODUKTINFORMATION
 DA - SIKKERHEDS- OG PRODUKTINFORMATION
 NO - SIKKERHETS- OG PRODUKTINFORMASJON
 PL - INFORMACJE O BEZPIECZENSTWIE I PRODUKCJE
 CS - INFORMACE O BEZPEČNOSTI A PRODUKTU