
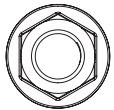
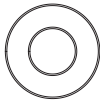
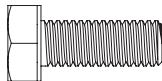
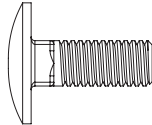
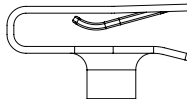

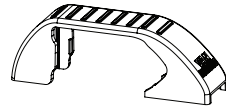
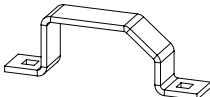
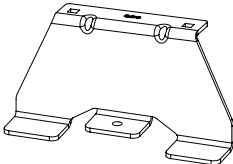
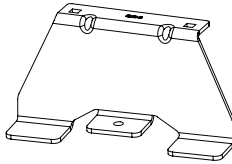
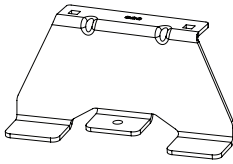
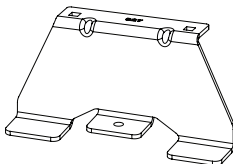
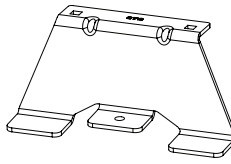


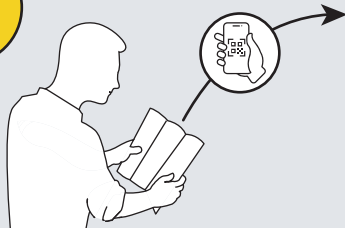
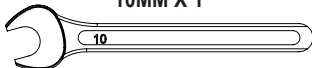
# IN8221

## ULTI Bars - X4

<b>FX4010 X8</b> (M6) 	<b>FX4016 X16</b> (M6) 	<b>FX4017 X8</b> (M6) 	<b>FX4012 X8</b> (M6X16) 	<b>FX4042 X16</b> (M6X16) 	<b>FX4126 X8</b> (M6) 	<b>MA6081 X16</b> 	<b>MA6065 X8</b> 
<b>ME0203 X8</b> 	<b>ME0823 X1</b> 	<b>ME0824 X1</b> 	<b>ME0826 X1</b> 	<b>ME0827 X1</b> 	<b>ME0872 X4</b> 		

### TOOLS REQUIRED

10MM X 1

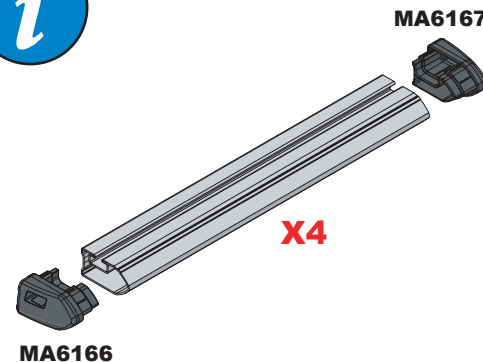


EN - SAFETY AND PRODUCT INFORMATION  
 DE - SICHERHEITS- UND PRODUKTINFORMATIONEN  
 FR - INFORMATIONS DE SÉCURITÉ ET DU PRODUIT  
 NL - VEILIGHEIDS- EN PRODUCTINFORMATIE  
 ES - INFORMACIÓN DE SEGURIDAD Y DEL PRODUCTO  
 IT - INFORMAZIONI SULLA SICUREZZA E SUL PRODOTTO

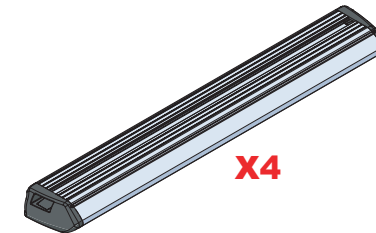
SV - SÄKERHETS- OCH PRODUKTINFORMATION  
 DA - SIKKERHEDS- OG PRODUKTINFORMATION  
 NO - SIKKERHETS- OG PRODUKTINFORMASJON  
 PL - INFORMACJE O BEZPIECZENSTWIE I PRODUKCIE  
 CS - INFORMACE O BEZPEČNOSTI A PRODUKTU



**Customercare@van-guard.co.uk**  
**UK +44 (0) 1392 368 351**



**ULTI Bar Trade**  
(Steel)



**ULTI Bar+**  
(Aluminium)

This FITTING INSTRUCTION is the property of VAN GUARD ACCESSORIES LTD. and must not be used for manufacturing purposes, copied nor communicated in any way to third parties without written permission from VAN GUARD ACCESSORIES LTD.

IN8221\_H (CN:00183)

Van Guard Accessories Ltd  
 Fair Oak Close, Exeter Airport Business Park,  
 Exeter, Devon, EX5 2UL

[www.van-guard.co.uk](http://www.van-guard.co.uk)

# 335-4

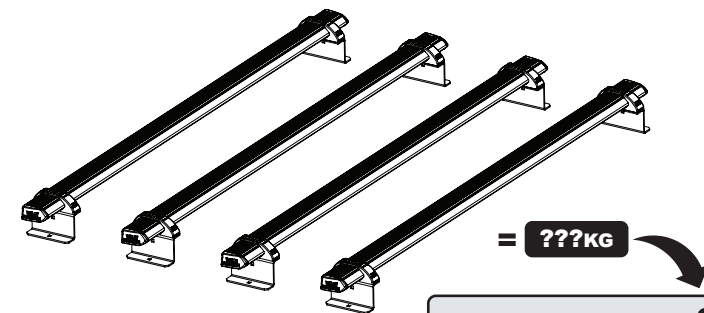
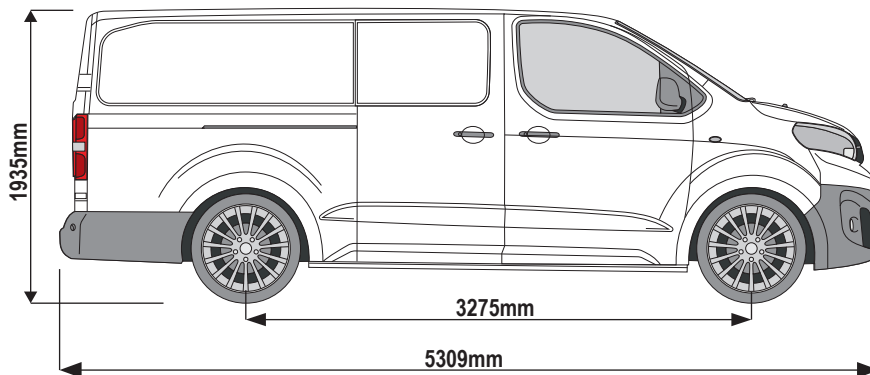
**Vehicle:**

- Citroen Dispatch: 2016 on (L3)
- Fiat Scudo: 2022 on (L3)
- Peugeot Expert: 2016 on (L3)
- Toyota Pro-Ace: 2016 on (L3)
- Vauxhall Vivaro: 2019 on (L2)

**Wheel Base:** See above

**Roof Height:** H1 / Standard

**Rear Doors:** All

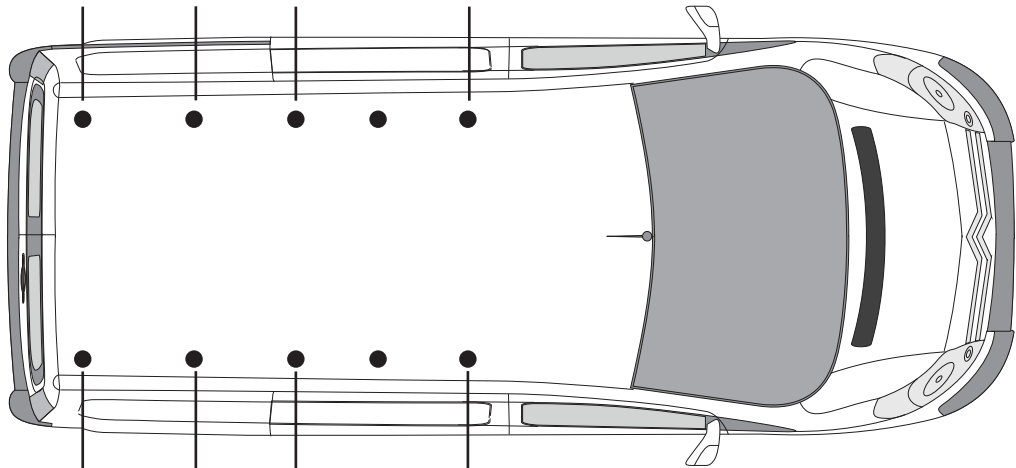


**ULTI Bar Trade (Steel) = 16KG**

**ULTI Bar+ (Aluminium) = 10.4KG**

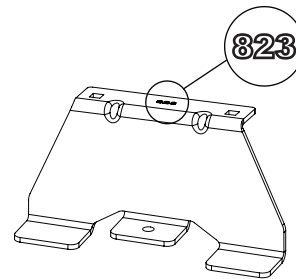
1

ME0827 ME0872 ME0824

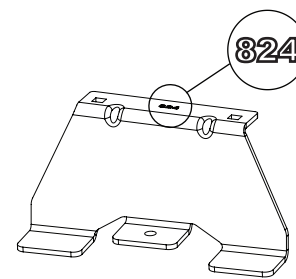


ME0826 ME0872 ME0823

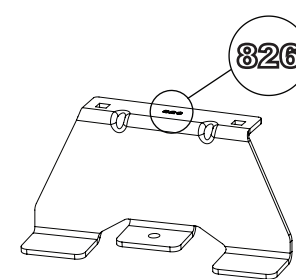
ME0823



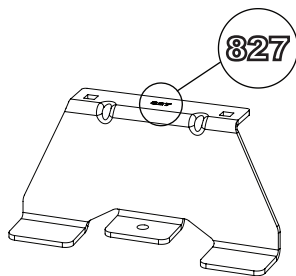
ME0824



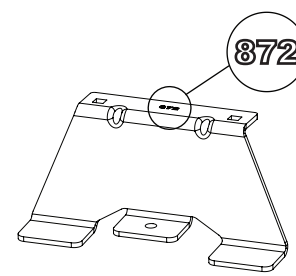
ME0826



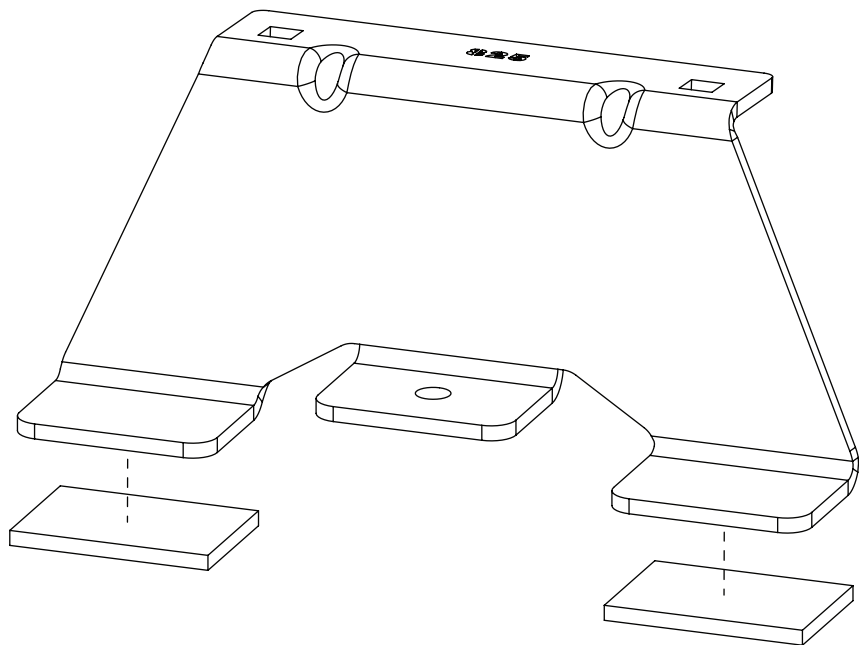
ME0827



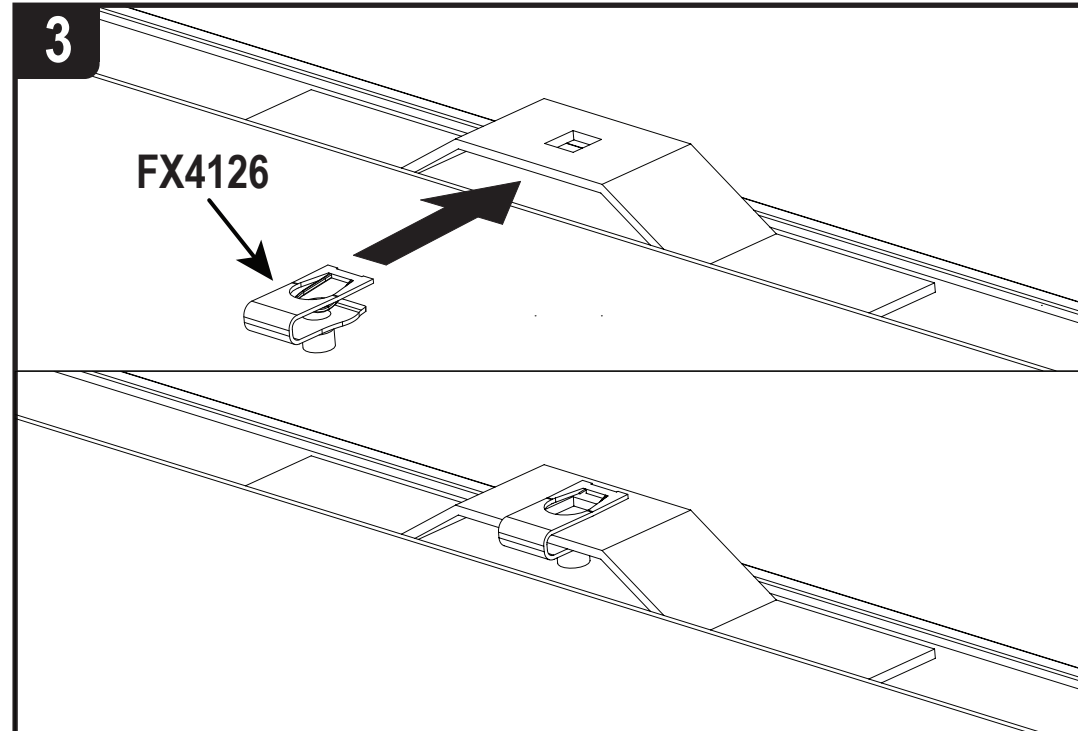
ME0872



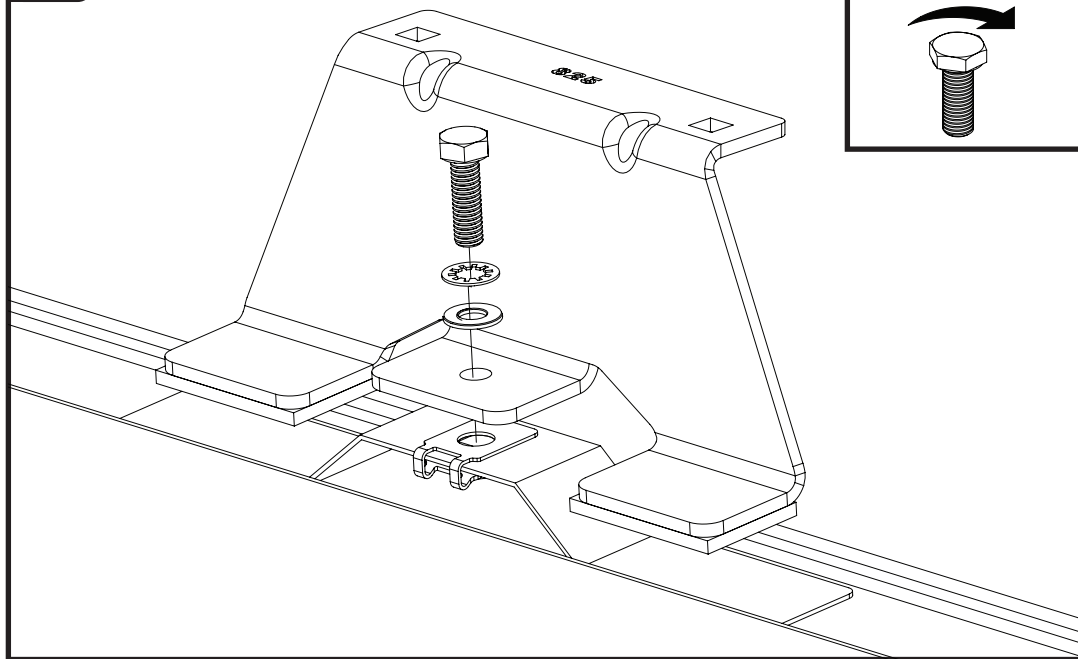
2



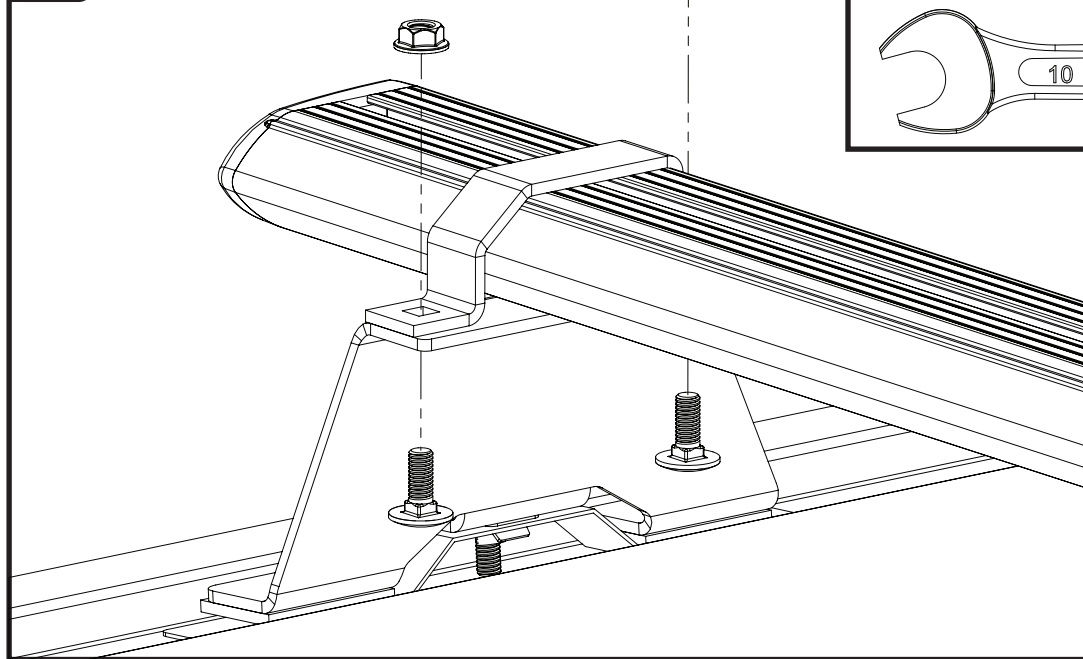
3



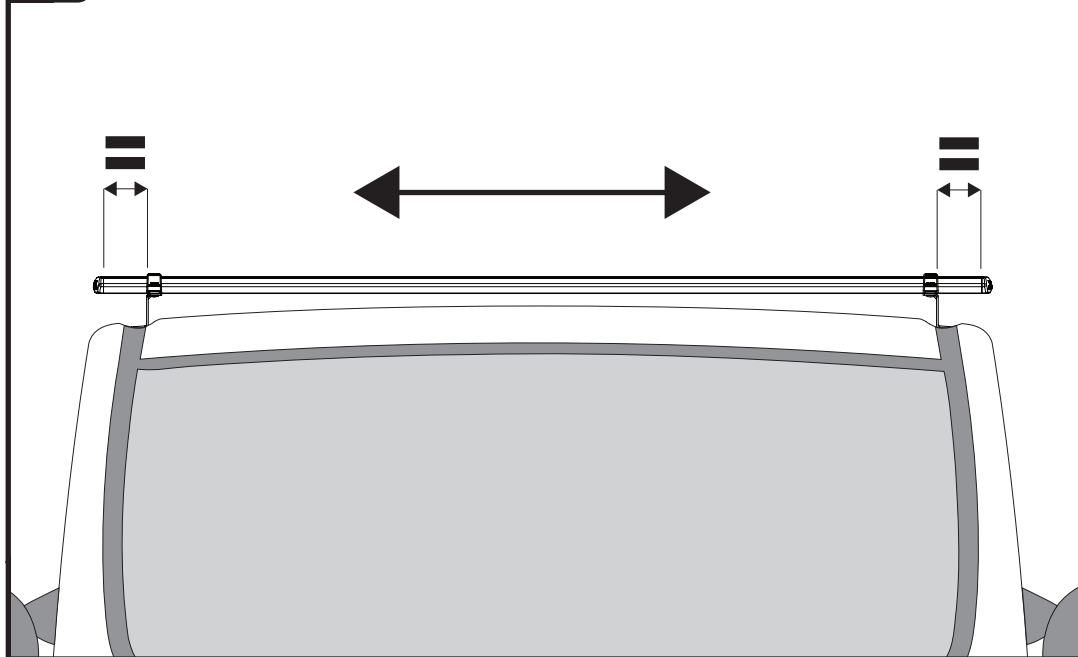
4



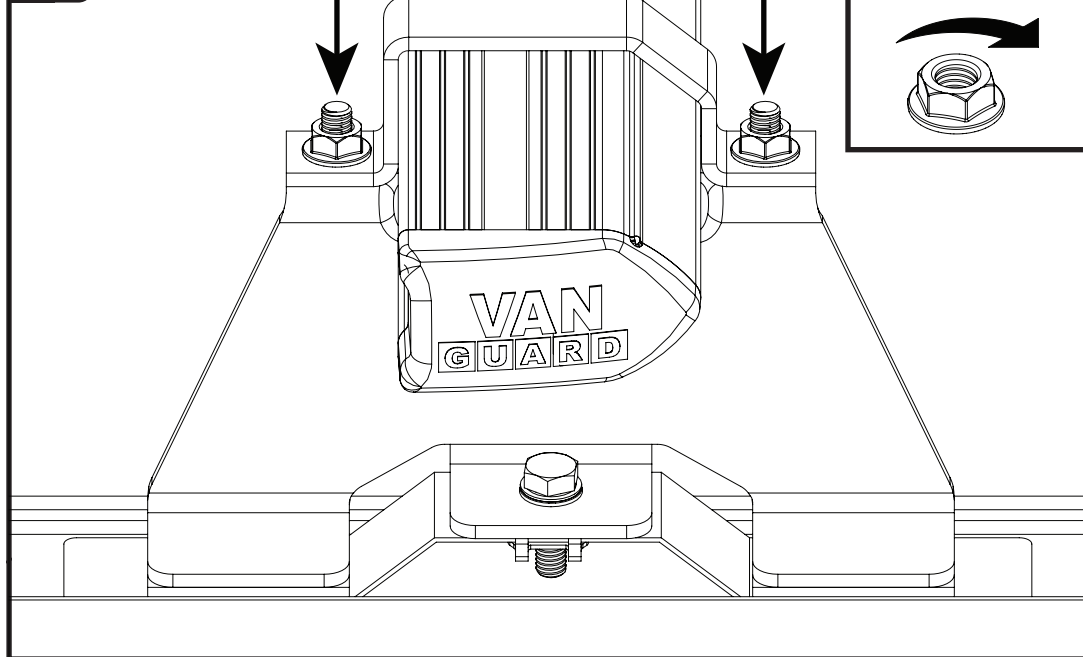
5



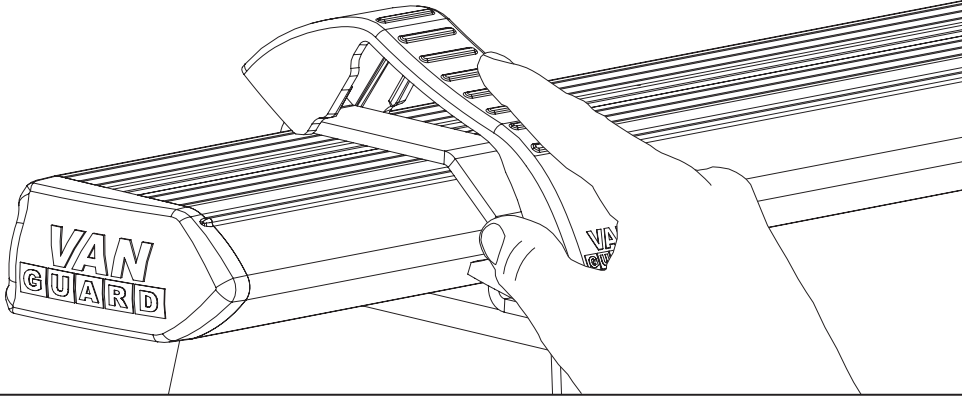
6



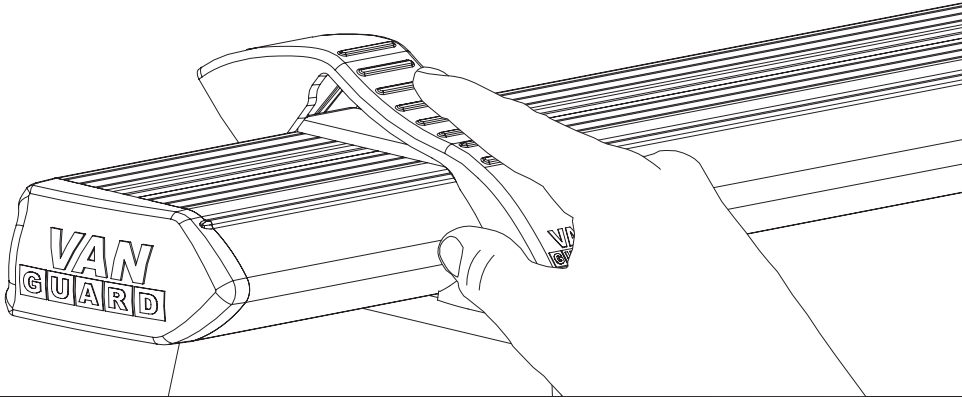
7



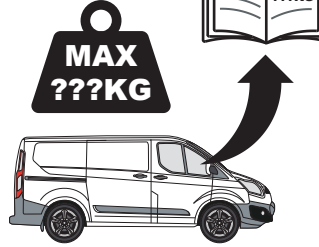
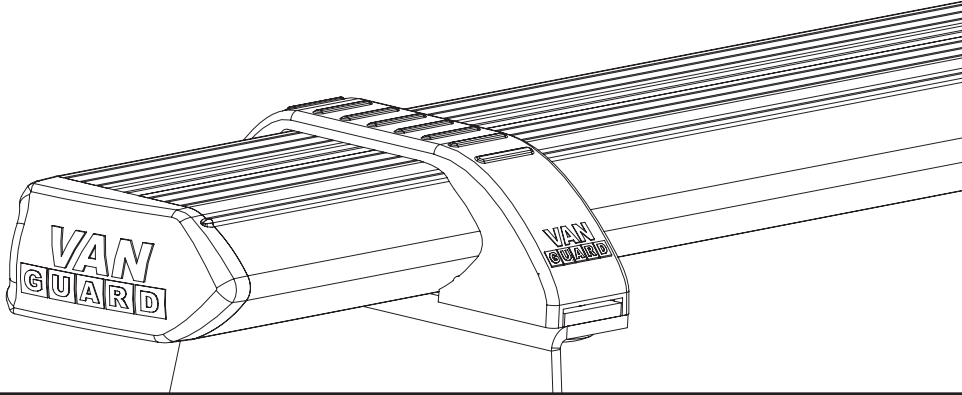
1.



2.



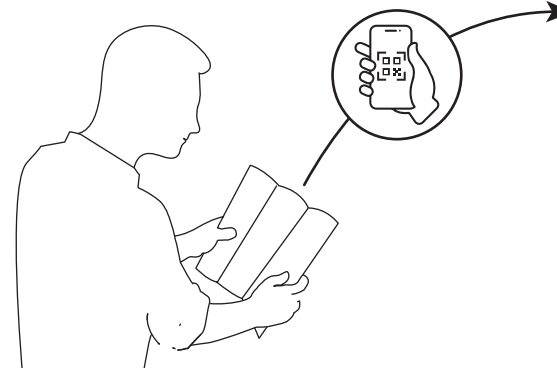
3.



**ULTI Bar Trade**  
(Steel)



**ULTI Bar+**  
(Aluminium)



EN - SAFETY AND PRODUCT INFORMATION  
 DE - SICHERHEITS- UND PRODUKTINFORMATIONEN  
 FR - INFORMATIONS DE SÉCURITÉ ET DU PRODUIT  
 NL - VEILIGHEIDS- EN PRODUCTINFORMATIE  
 ES - INFORMACIÓN DE SEGURIDAD Y DEL PRODUCTO  
 IT - INFORMAZIONI SULLA SICUREZZA E SUL PRODOTTO

SV - SÄKERHETS- OCH PRODUKTINFORMATION  
 DA - SIKKERHEDS- OG PRODUKTINFORMATION  
 NO - SIKKERHETS- OG PRODUKTINFORMASJON  
 PL - INFORMACJE O BEZPIECZENSTWIE I PRODUKCJE  
 CS - INFORMACE O BEZPEČNOSTI A PRODUKTU