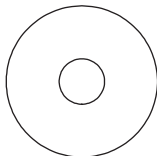
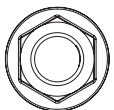
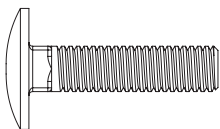
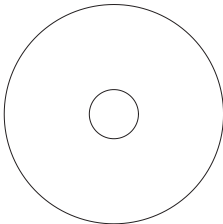
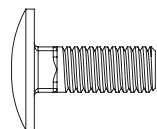

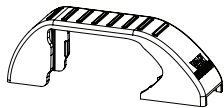
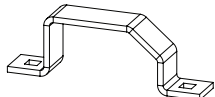
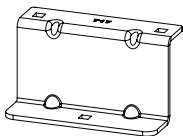
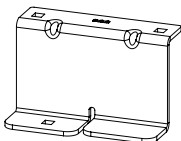
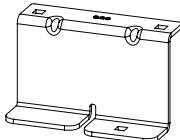
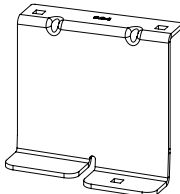
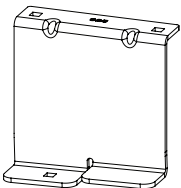


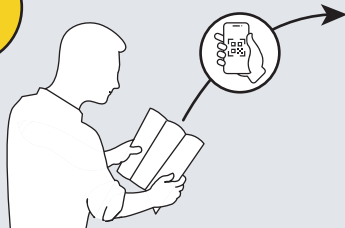
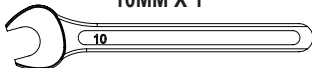
# IN8229

## ULTI Bars - X3

<p><b>FX4014 X6</b> (RUBBER)</p> 	<p><b>FX4016 X18</b> (M6)</p> 	<p><b>FX4022 X6</b> (M6X25)</p> 	<p><b>FX4023 X6</b></p> 	<p><b>FX4042 X12</b> (M6X16)</p> 	<p><b>MA6091 X6</b></p> 	<p><b>MA6065 X6</b></p> 	<p><b>ME0203 X6</b></p> 
<p><b>ME0717 X2</b></p> 	<p><b>ME0922 X1</b></p> 	<p><b>ME0923 X1</b></p> 	<p><b>ME0924 X1</b></p> 	<p><b>ME0925 X1</b></p> 			

### TOOLS REQUIRED

10MM X 1

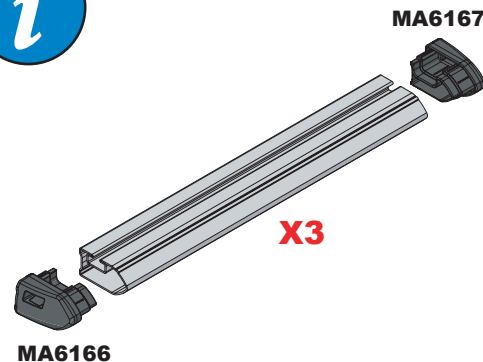


EN - SAFETY AND PRODUCT INFORMATION  
 DE - SICHERHEITS- UND PRODUKTINFORMATIONEN  
 FR - INFORMATIONS DE SÉCURITÉ ET DU PRODUIT  
 NL - VEILIGHEIDS- EN PRODUCTINFORMATIE  
 ES - INFORMACIÓN DE SEGURIDAD Y DEL PRODUCTO  
 IT - INFORMAZIONI SULLA SICUREZZA E SUL PRODOTTO

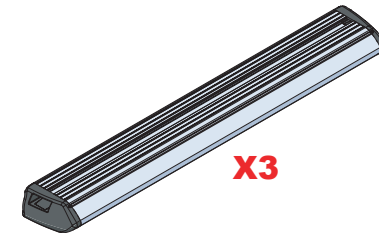
SV - SÄKERHETS- OCH PRODUKTINFORMATION  
 DA - SIKKERHEDS- OG PRODUKTINFORMATION  
 NO - SIKKERHETS- OG PRODUKTINFORMASJON  
 PL - INFORMACJE O BEZPIECZENSTWIE I PRODUKCIE  
 CS - INFORMACE O BEZPEČNOSTI A PRODUKTU



**Customercare@van-guard.co.uk**  
**UK +44 (0) 1392 368 351**



**ULTI Bar Trade**  
(Steel)



**ULTI Bar+**  
(Aluminium)

This FITTING INSTRUCTION is the property of VAN GUARD ACCESSORIES LTD. and must not be used for manufacturing purposes, copied nor communicated in any way to third parties without written permission from VAN GUARD ACCESSORIES LTD.

IN8229\_D (CN:00183)

Van Guard Accessories Ltd  
 Fair Oak Close, Exeter Airport Business Park,  
 Exeter, Devon, EX5 2UL

[www.van-guard.co.uk](http://www.van-guard.co.uk)

### 336-3

**Vehicle:**

Volkswagen Crafter: 2017 on  
MAN TGE: 2017 on

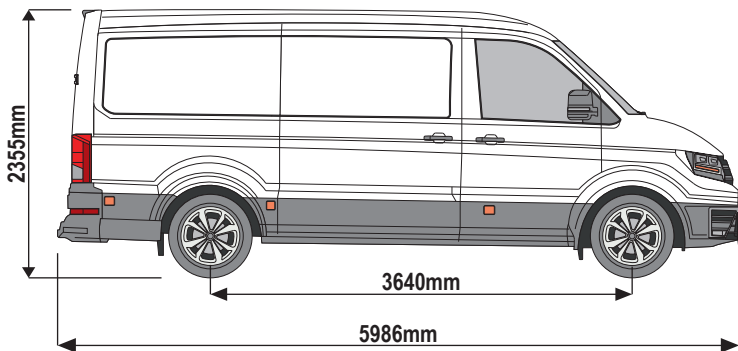
**Wheel Base:**

Medium (L3)  
Standard (L3)

**Roof Height:**

Normal (H2)

Rear Doors: Twin



= **???**KG

ULTI Bar Trade (Steel)	=	<b>13KG</b>
ULTI Bar+ (Aluminium)	=	<b>8.4KG</b>

### 336-3

**Vehicle:**

Volkswagen Crafter: 2017 on  
MAN TGE: 2017 on

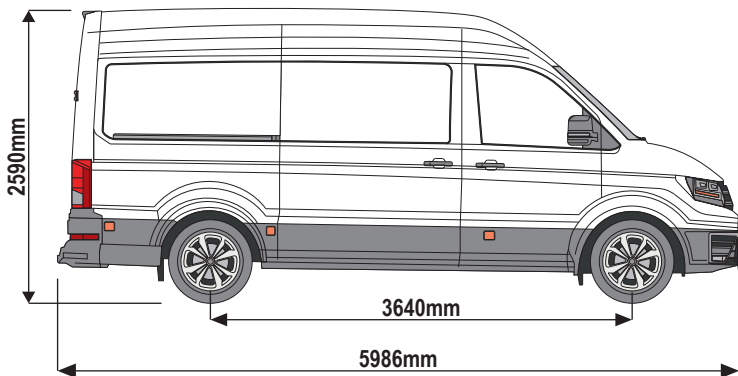
**Wheel Base:**

Medium (L3)  
Standard (L3)

**Roof Height:**

High (H3)

Rear Doors: Twin



= **???**KG

ULTI Bar Trade (Steel)	=	<b>13KG</b>
ULTI Bar+ (Aluminium)	=	<b>8.4KG</b>

### 336-3

**Vehicle:**

Volkswagen Crafter: 2017 on  
MAN TGE: 2017 on

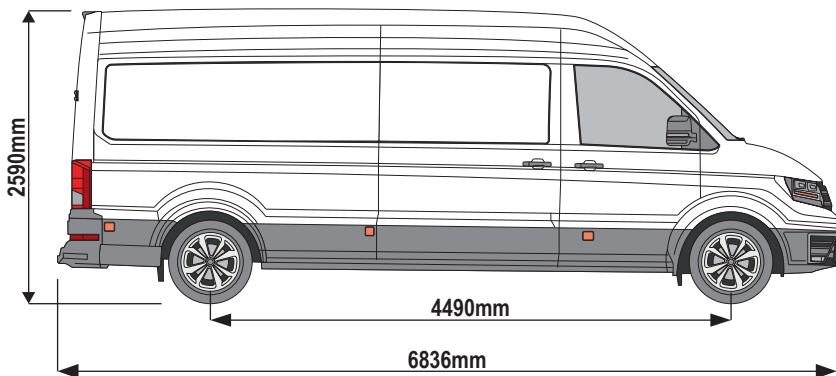
**Wheel Base:**

Long (L4)

**Roof Height:**

High (H3)

Rear Doors: Twin



= **???**KG

ULTI Bar Trade (Steel)	=	<b>13KG</b>
ULTI Bar+ (Aluminium)	=	<b>8.4KG</b>

# 336-3

**Vehicle:**

Volkswagen Crafter: 2017 on  
MAN TGE: 2017 on

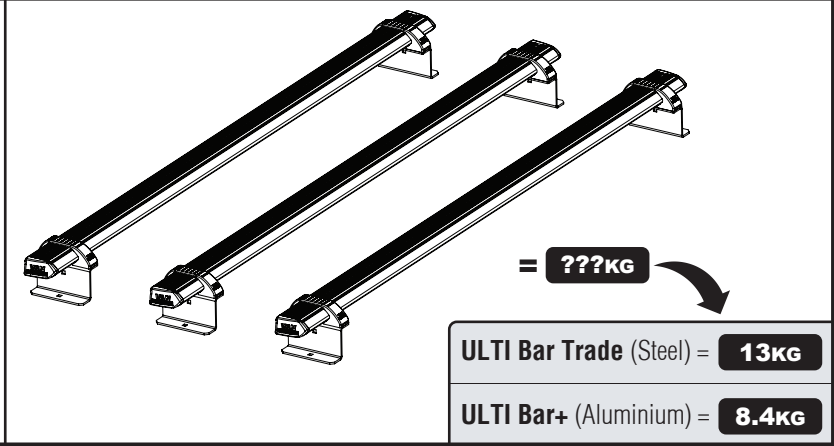
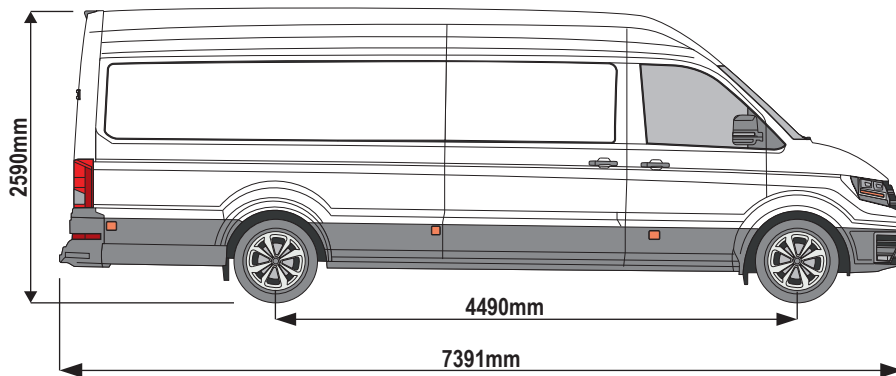
**Wheel Base:**

Long plus (L5)  
Extra long (L5)

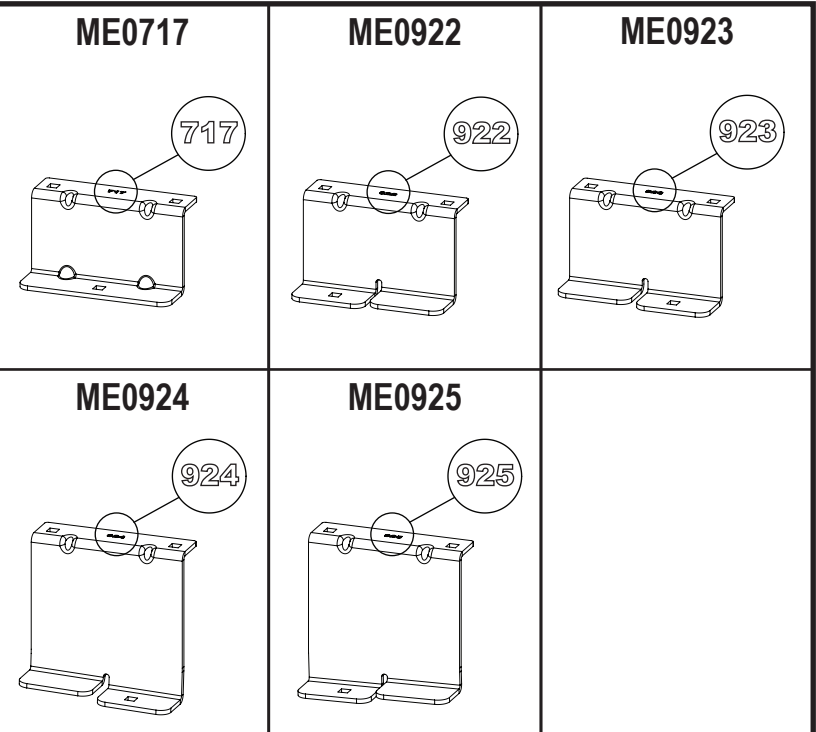
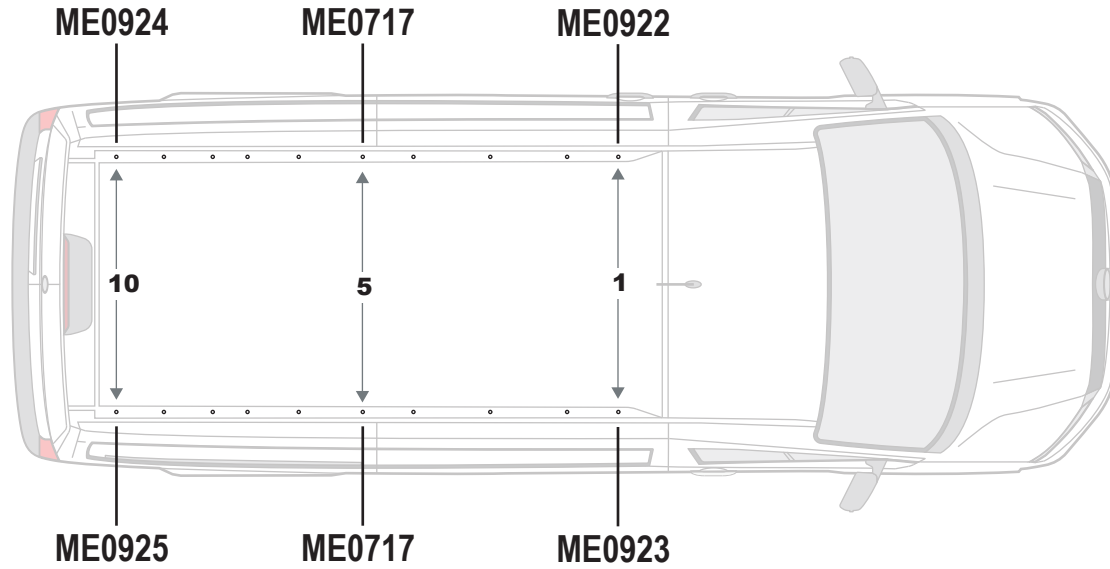
**Roof Height:**

High (H3)

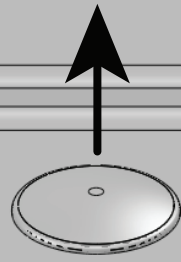
**Rear Doors:** Twin



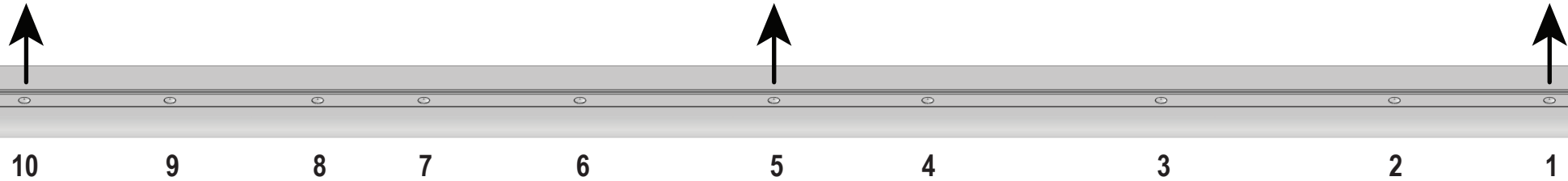
The following page is for L3H2 / L3H3 models only (models with 10 fixing points on the roof).  
Please see page 5 for L4H3 models & page 6 for L5H3 models.



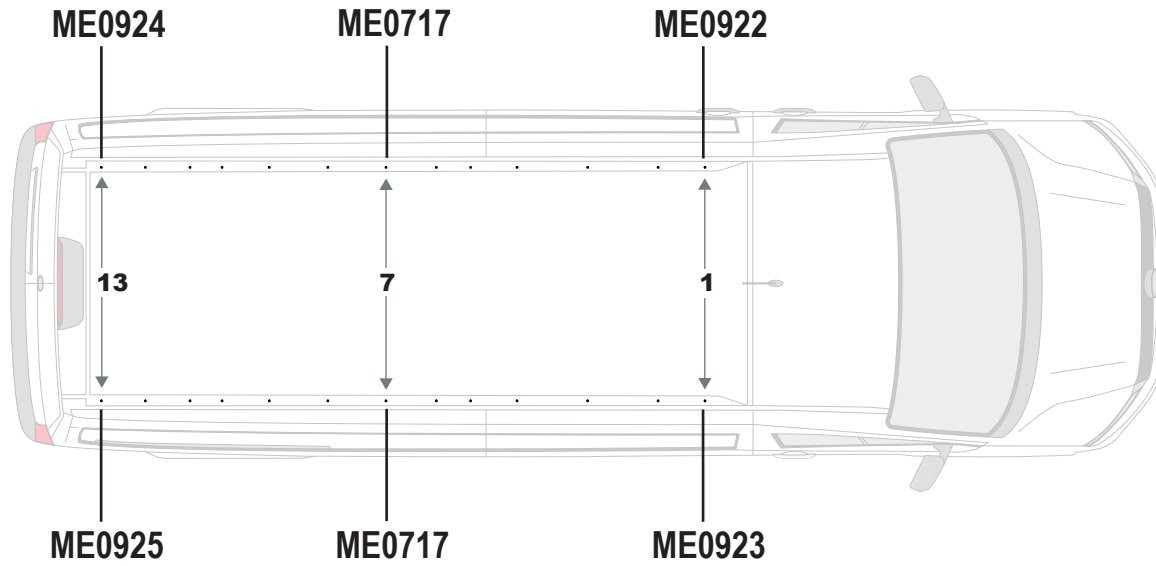
1



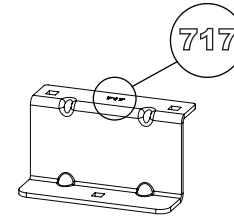
ROOF PLUG MAY BE SEALED BY PAINT  
THIS SEAL WILL NEED TO BE BROKEN  
TO REMOVE THE ROOF PLUG



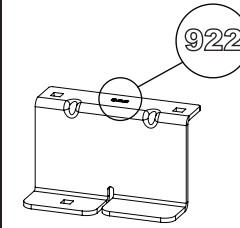
The following page is for L4H3 models only (models with 13 fixing points on the roof).  
Please see page 4 for L3H2 / L3H3 models & page 6 for L5H3 models.



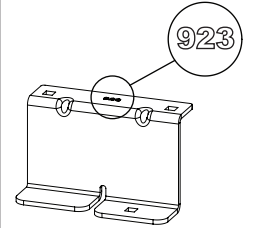
ME0717



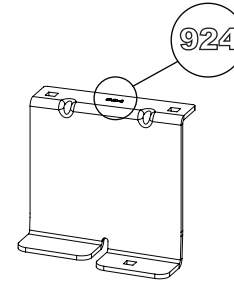
ME0922



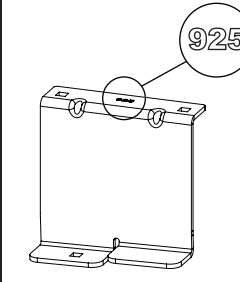
ME0923



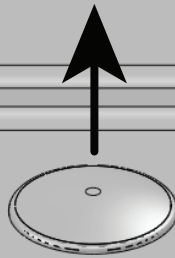
ME0924



ME0925



1

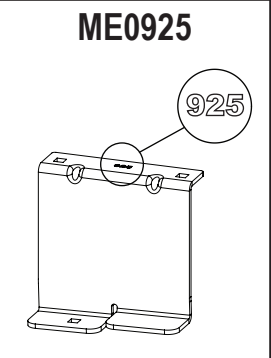
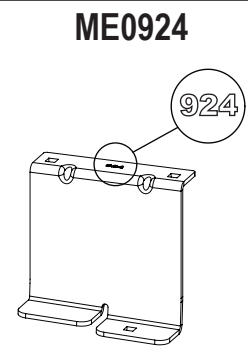
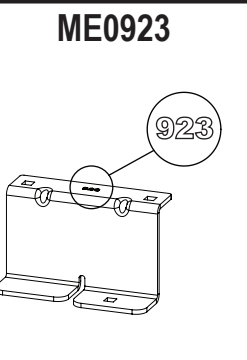
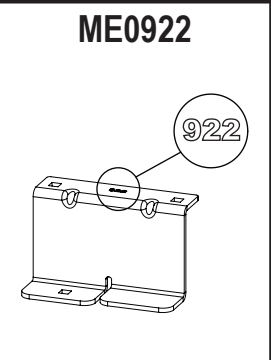
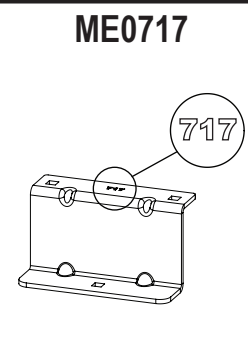
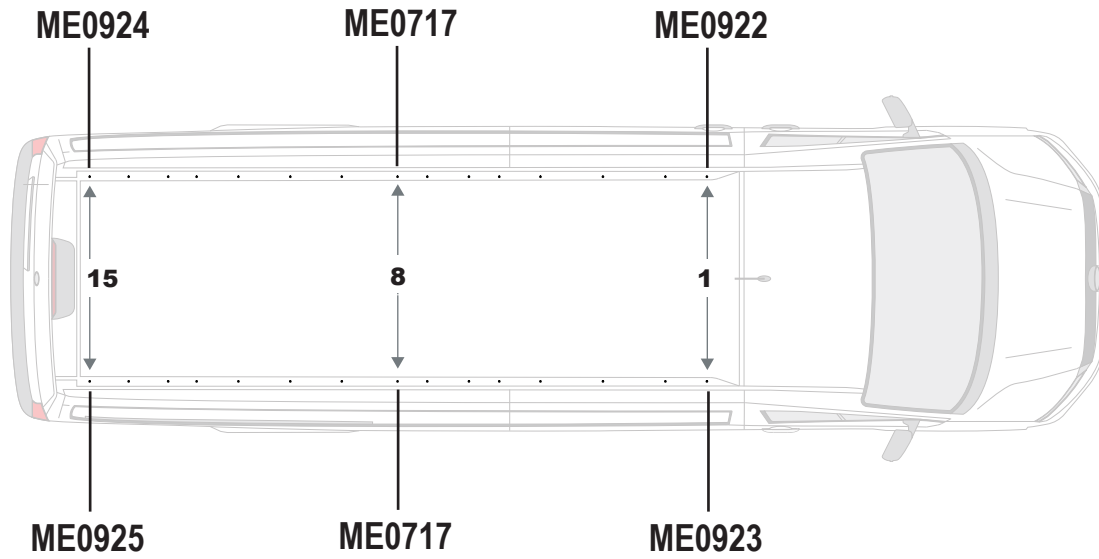


ROOF PLUG MAY BE SEALED BY PAINT  
THIS SEAL WILL NEED TO BE BROKEN  
TO REMOVE THE ROOF PLUG

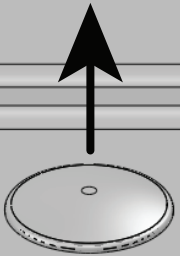


13 12 11 10 9 8 7 6 5 4 3 2 1

The following page is for L5H3 models only (models with 15 fixing points on the roof).  
Please see page 4 for L3H2 / L3H3 models & page 5 for L4H3 models.



1

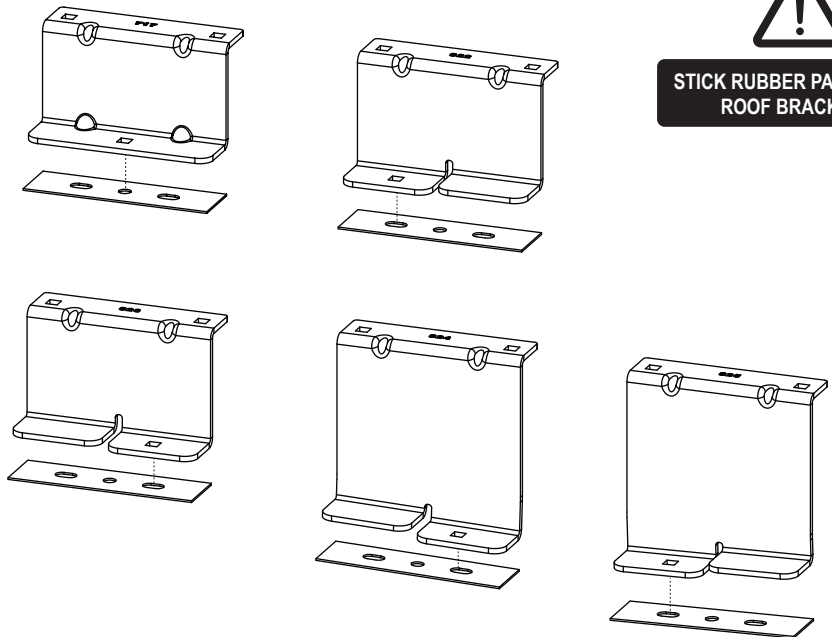


ROOF PLUG MAY BE SEALED BY PAINT  
THIS SEAL WILL NEED TO BE BROKEN  
TO REMOVE THE ROOF PLUG



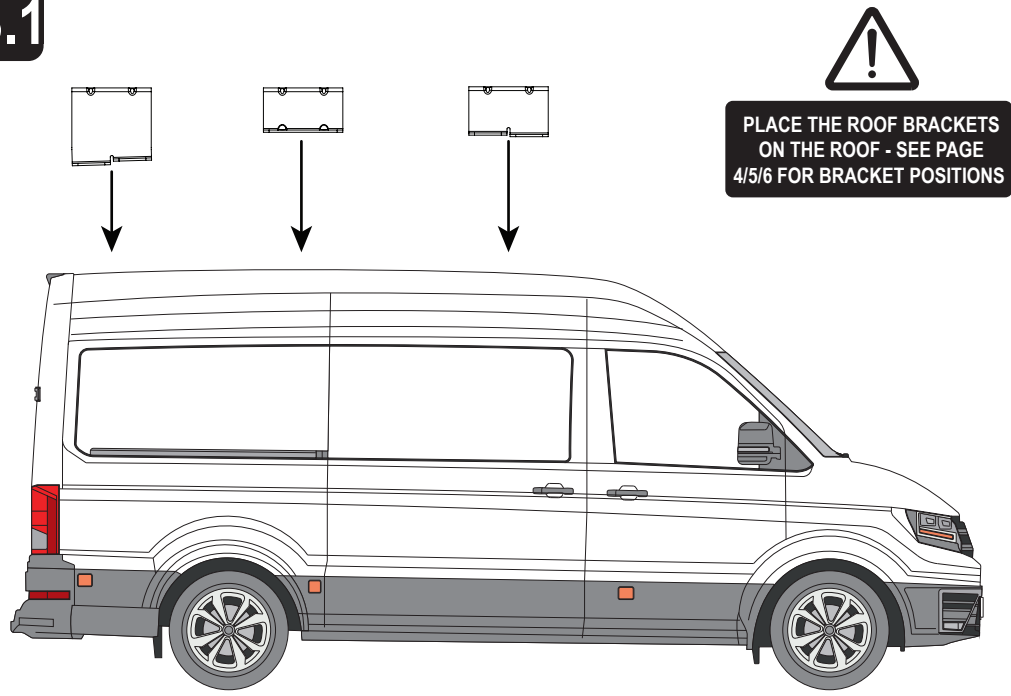
15 14 13 12 11 10 9 8 7 6 5 4 3 2 1

2



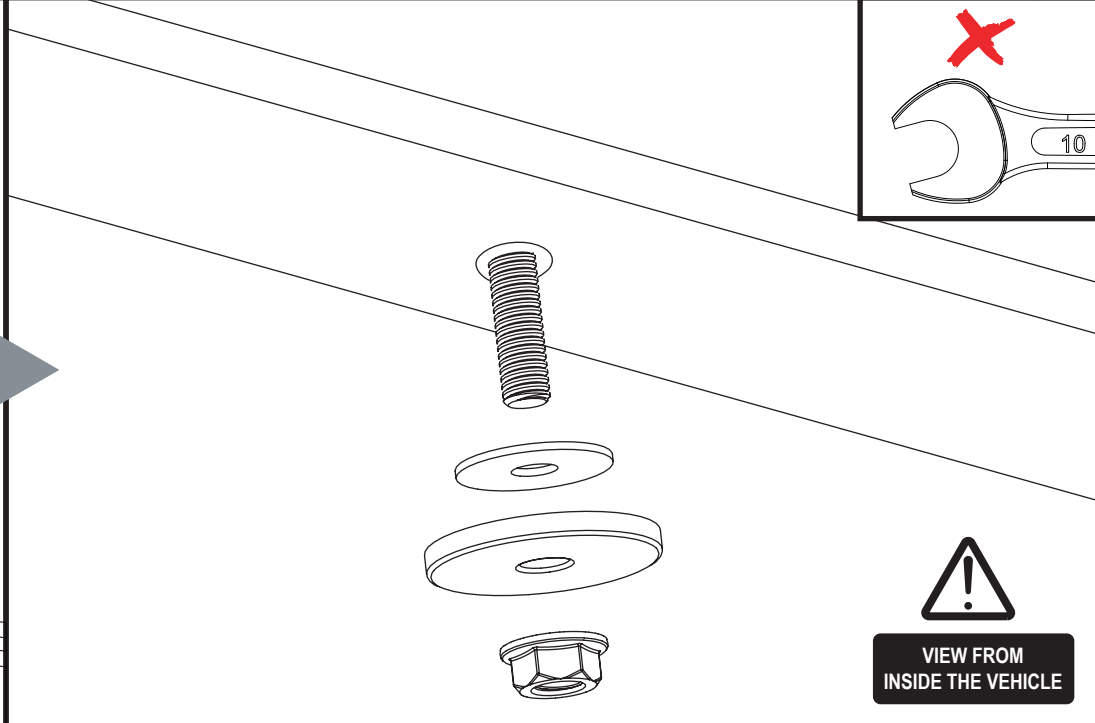
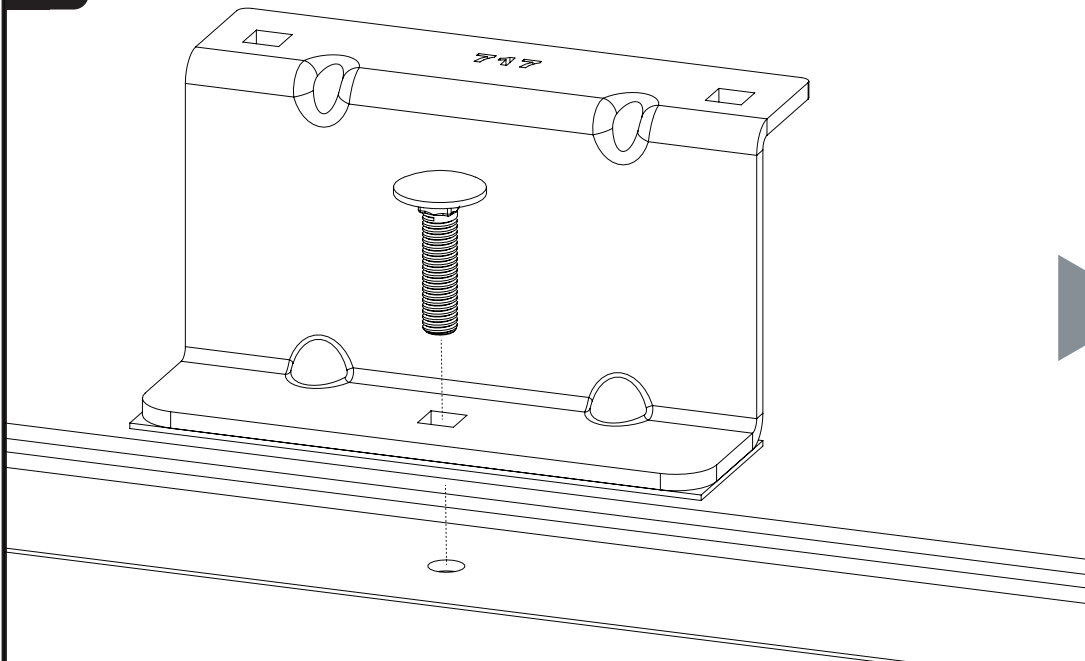
  
**STICK RUBBER PADS TO ALL  
 ROOF BRACKETS**

3.1



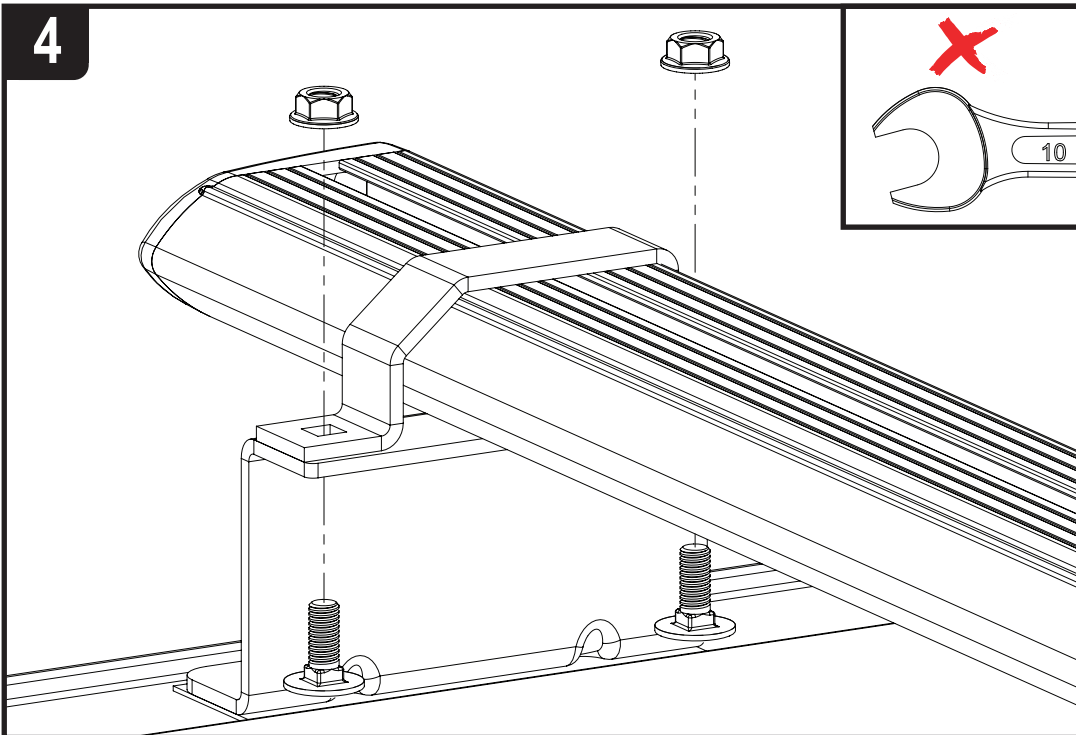
  
**PLACE THE ROOF BRACKETS  
 ON THE ROOF - SEE PAGE  
 4/5/6 FOR BRACKET POSITIONS**

3.2

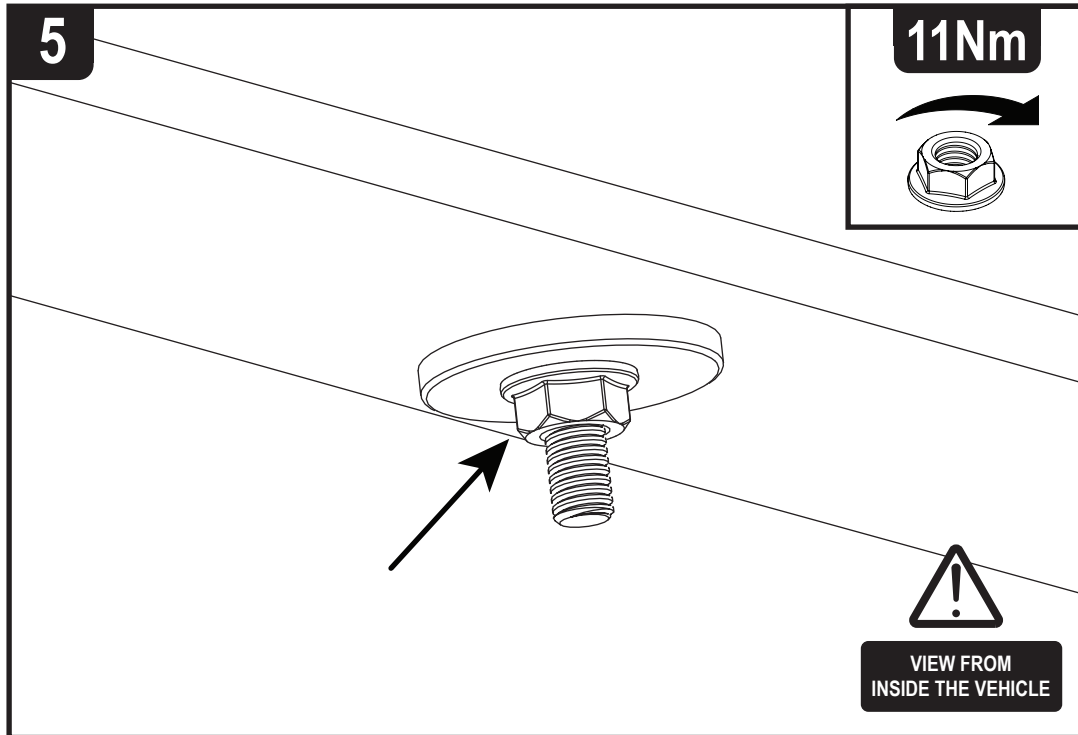


  
**VIEW FROM  
 INSIDE THE VEHICLE**

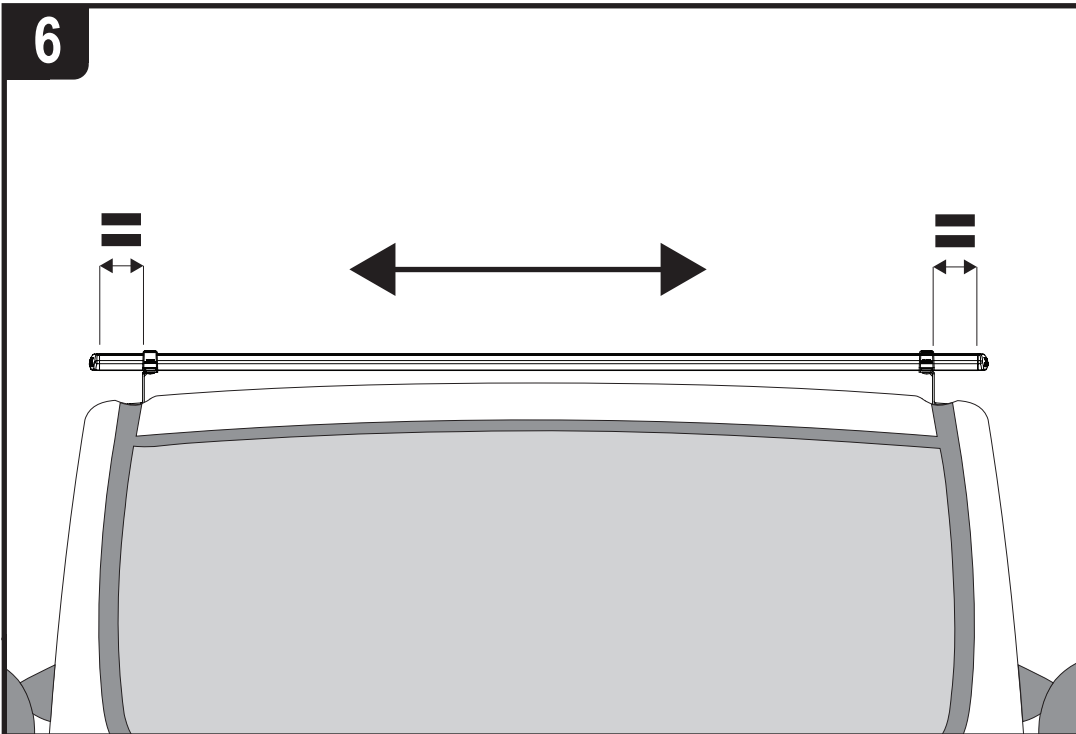
4



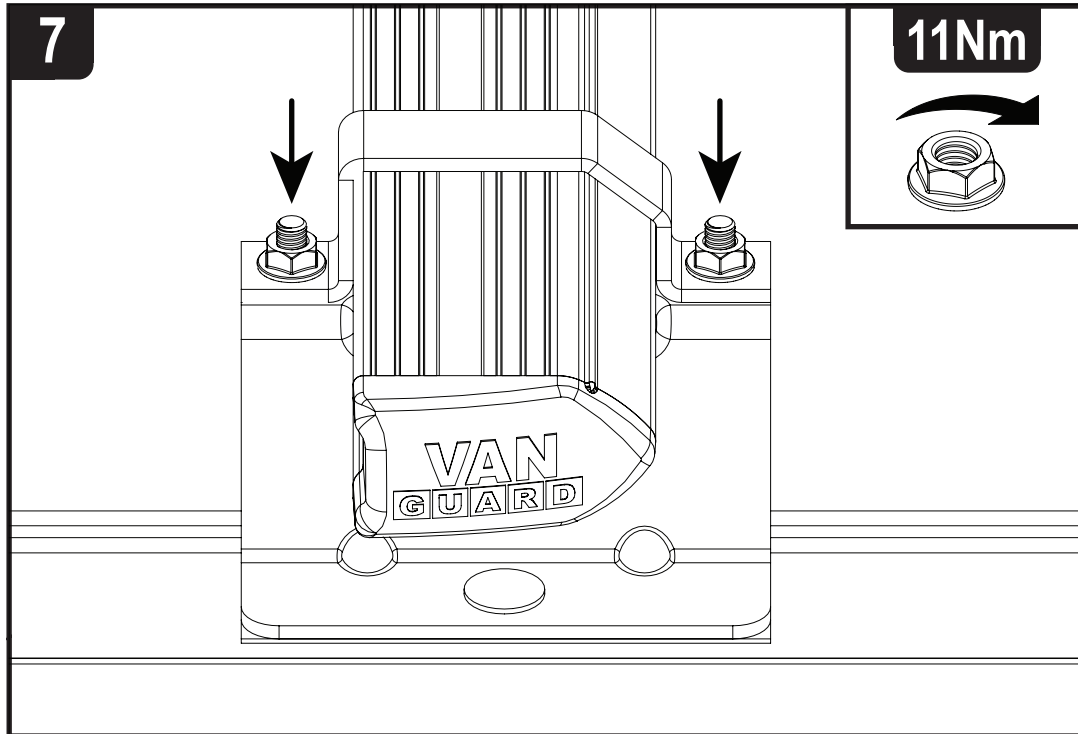
5



6

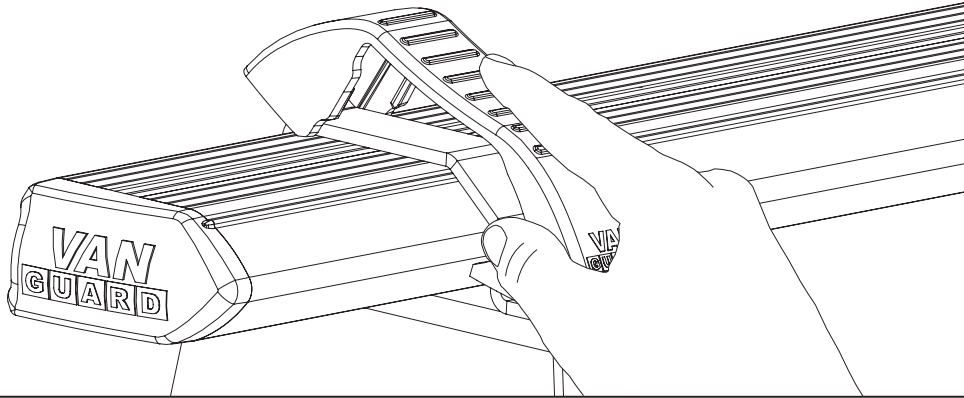


7

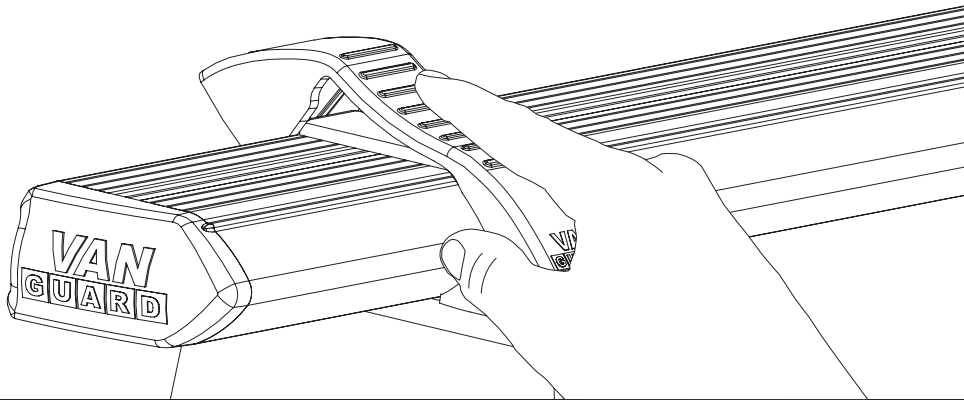




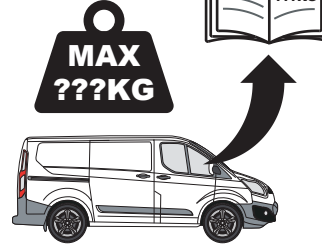
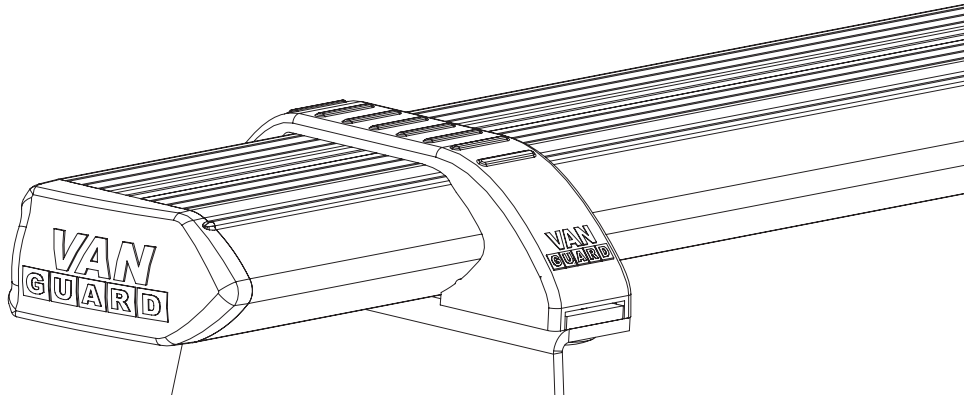
1.



2.



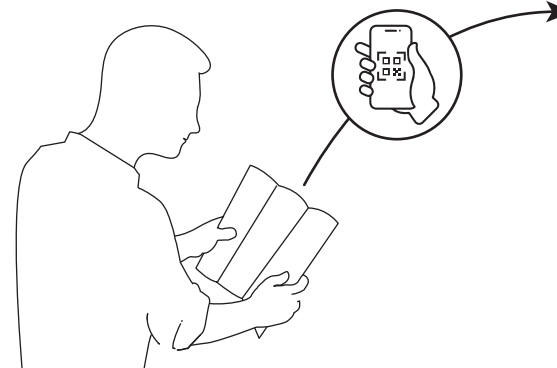
3.



**ULTI Bar Trade**  
(Steel)



**ULTI Bar+**  
(Aluminium)



EN - SAFETY AND PRODUCT INFORMATION  
 DE - SICHERHEITS- UND PRODUKTINFORMATIONEN  
 FR - INFORMATIONS DE SÉCURITÉ ET DU PRODUIT  
 NL - VEILIGHEIDS- EN PRODUCTINFORMATIE  
 ES - INFORMACIÓN DE SEGURIDAD Y DEL PRODUCTO  
 IT - INFORMAZIONI SULLA SICUREZZA E SUL PRODOTTO

SV - SÄKERHETS- OCH PRODUKTINFORMATION  
 DA - SIKKERHEDS- OG PRODUKTINFORMATION  
 NO - SIKKERHETS- OG PRODUKTINFORMASJON  
 PL - INFORMACJE O BEZPIECZENSTWIE I PRODUKCJE  
 CS - INFORMACE O BEZPEČNOSTI A PRODUKTU