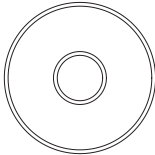

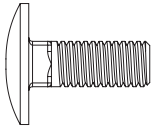
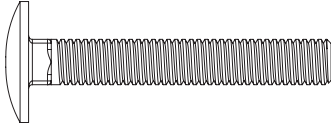
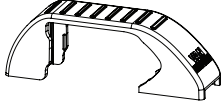
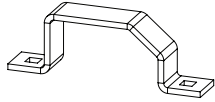
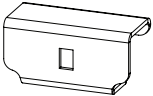





IN8237

ULTI Bars

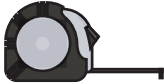


<p>FX4013 X6 (M6)</p> 	<p>FX4016 (M6)</p> <p>3 BAR = X18 4 BAR = X22</p> 	<p>FX4042 (M6X16)</p> <p>3 BAR = X12 4 BAR = X16</p> 	<p>FX4050 X6 (M6X40)</p> 	<p>MA6065</p> <p>3 BAR = X6 4 BAR = X8</p> 	<p>ME0203</p> <p>3 BAR = X6 4 BAR = X8</p> 	<p>ME0943 X6</p> 
<p>ME1006 X1</p> 		<p>ME1007 X1</p> 				

TOOLS REQUIRED

10MM X 1



TAPE MEASURE X 1






EN - SAFETY AND PRODUCT INFORMATION
 DE - SICHERHEITS- UND PRODUKTINFORMATIONEN
 FR - INFORMATIONS DE SÉCURITÉ ET DU PRODUIT
 NL - VEILIGHEIDS- EN PRODUCTINFORMATIE
 ES - INFORMACIÓN DE SEGURIDAD Y DEL PRODUCTO
 IT - INFORMAZIONI SULLA SICUREZZA E SUL PRODOTTO


SV - SÄKERHETS- OCH PRODUKTINFORMATION
 DA - SIKKERHEDS- OG PRODUKTINFORMATION
 NO - SIKKERHETS- OG PRODUKTINFORMASJON
 PL - INFORMACJE O BEZPIECZENSTWIE I PRODUKCJE
 CS - INFORMACE O BEZPEČNOSTI A PRODUKTU



Customercare@van-guard.co.uk
UK +44 (0) 1392 368 351



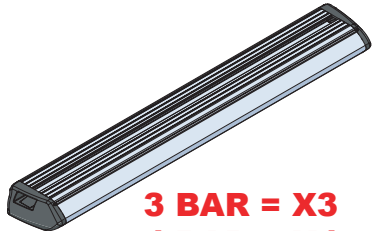
MA6167



3 BAR = X3
4 BAR = X4

MA6166

ULTI Bar Trade
(Steel)



3 BAR = X3
4 BAR = X4

ULTI Bar+
(Aluminium)

337-3-L1H1

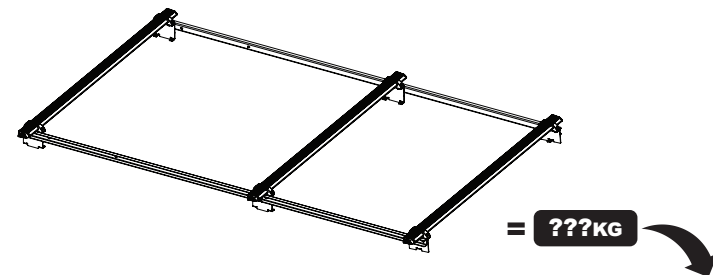
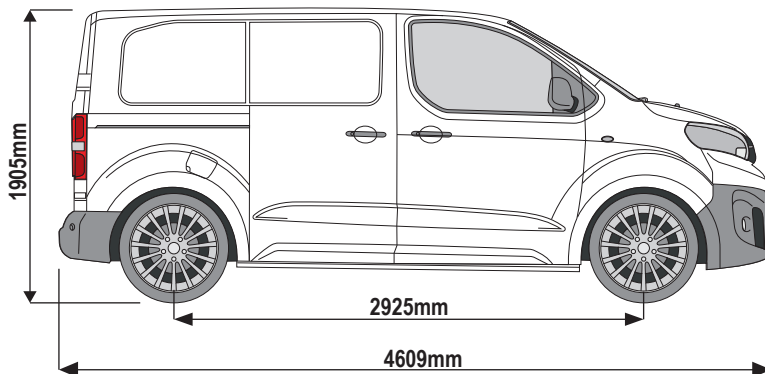
Vehicle:

Citroen Dispatch: 2016 on
 Fiat Scudo: 2022 on
 Peugeot Expert: 2016 on
 Toyota Pro-Ace: 2016 on

Wheel Base: L1 / XS / Compact

Roof Height: H1 / Standard

Rear Doors: All



ULTI Bar Trade (Steel) = 17.2KG

ULTI Bar+ (Aluminium) = 13KG

337-4-L1H1

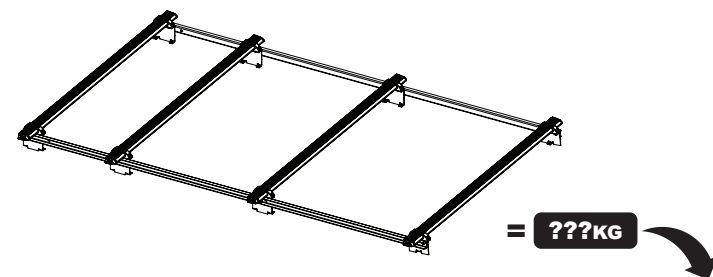
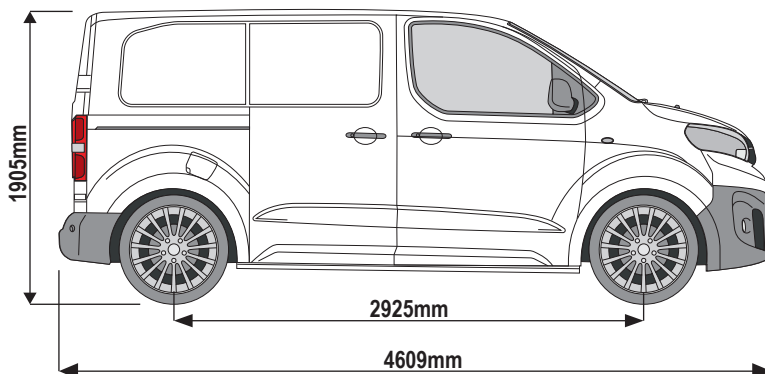
Vehicle:

Citroen Dispatch: 2016 on
 Fiat Scudo: 2022 on
 Peugeot Expert: 2016 on
 Toyota Pro-Ace: 2016 on

Wheel Base: L1 / XS / Compact

Roof Height: H1 / Standard

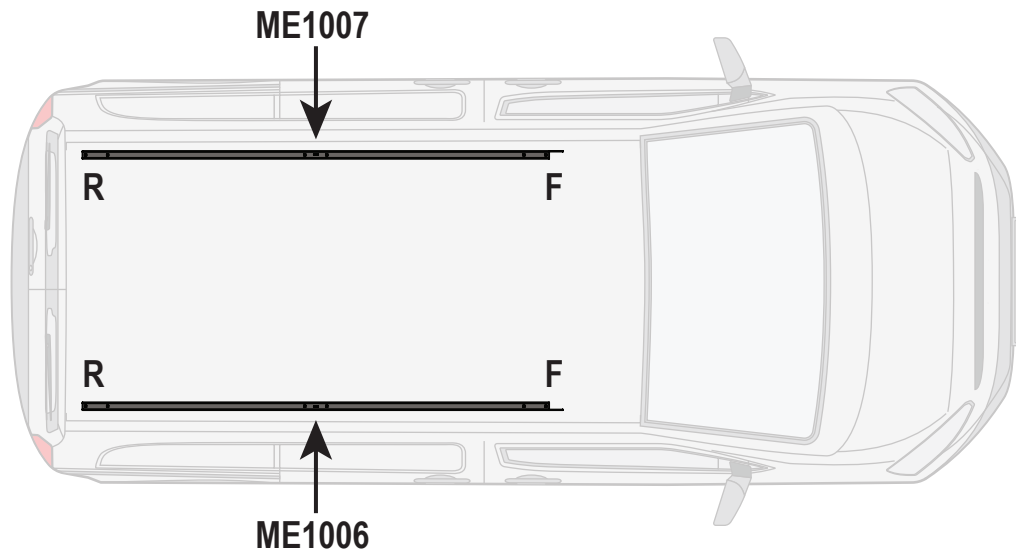
Rear Doors: All



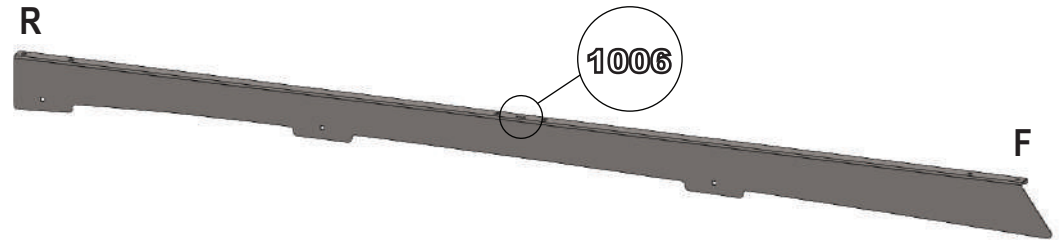
ULTI Bar Trade (Steel) = 20.6KG

ULTI Bar+ (Aluminium) = 15KG

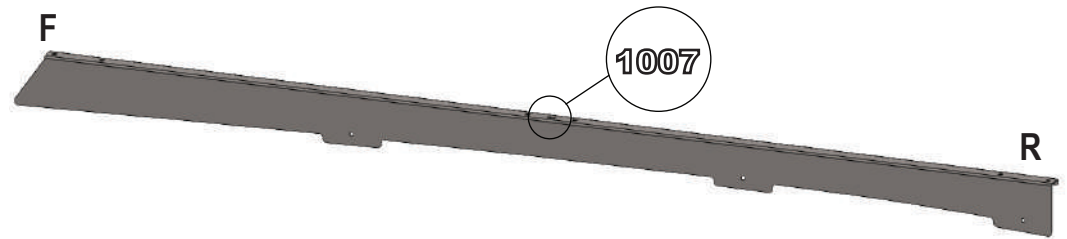
1



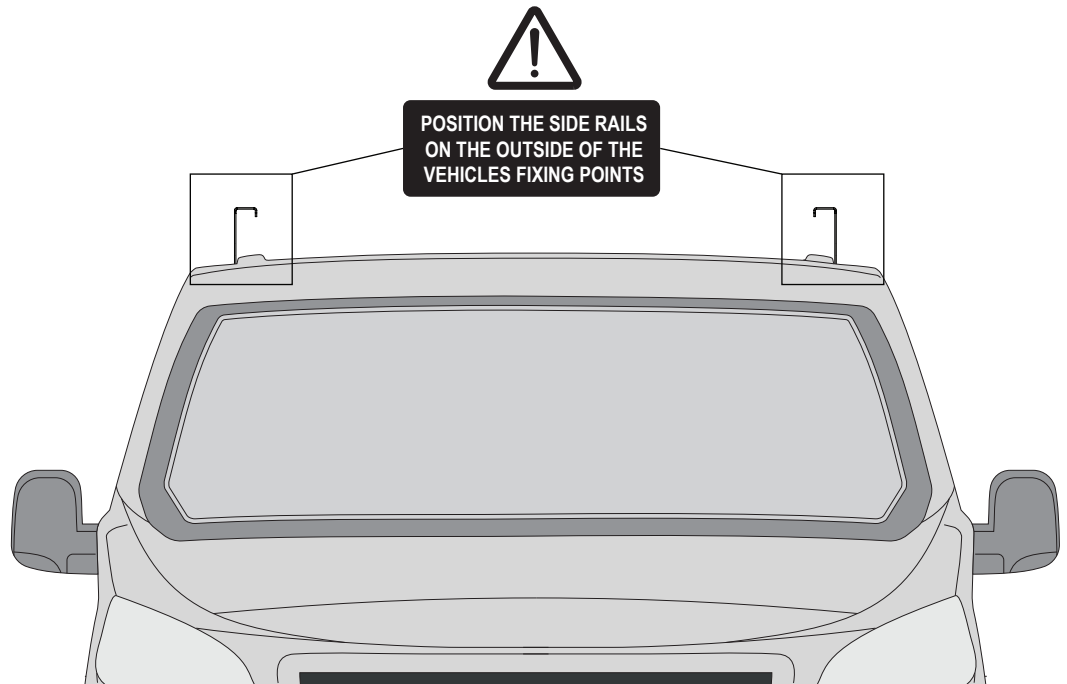
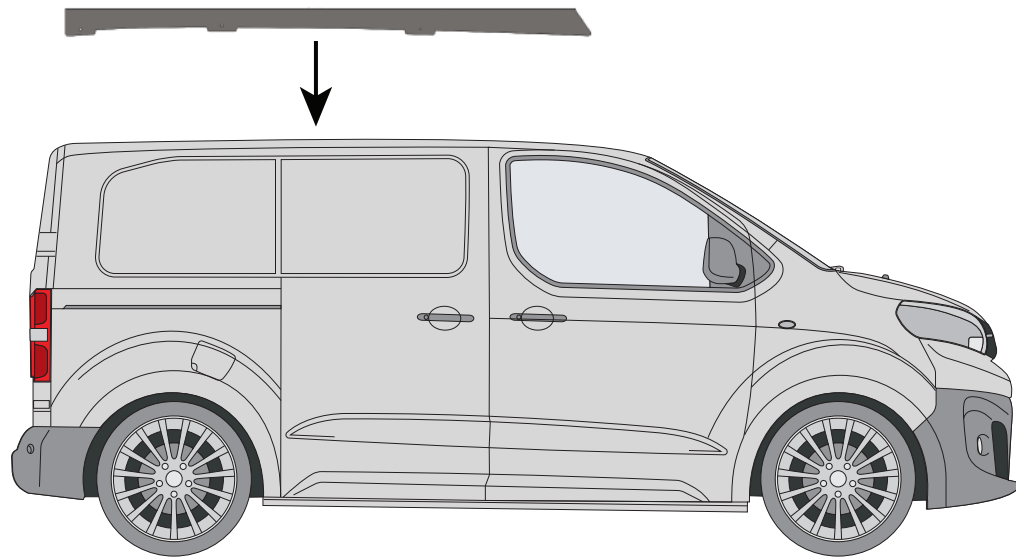
ME1006



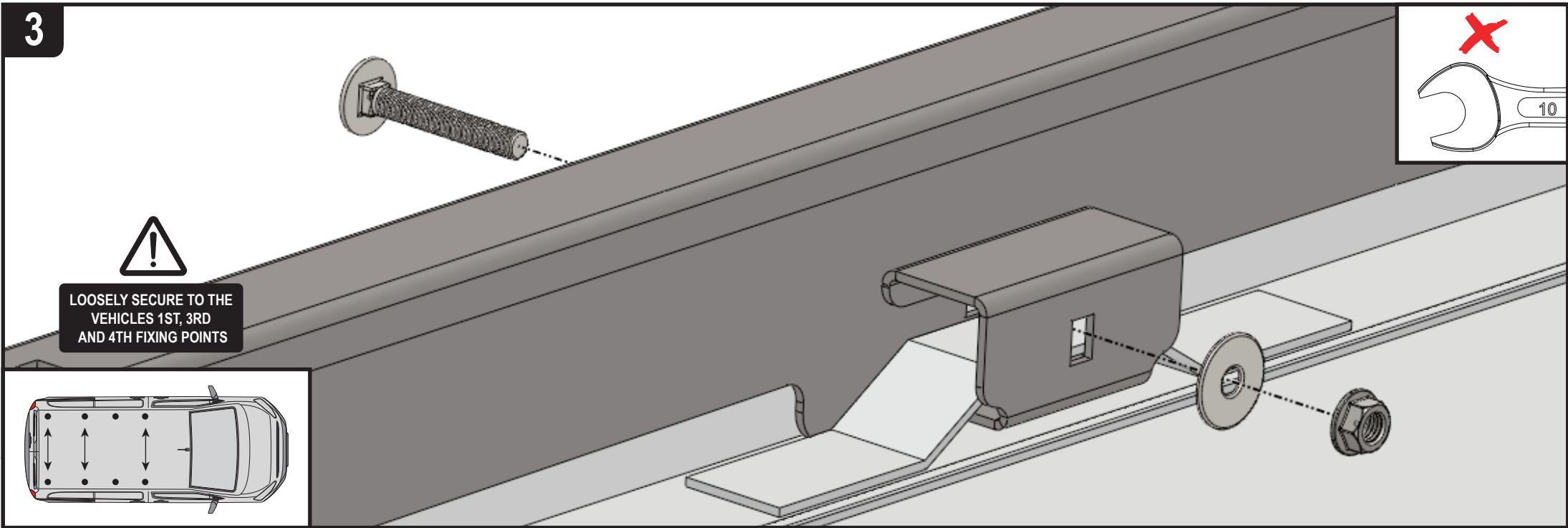
ME1007



2

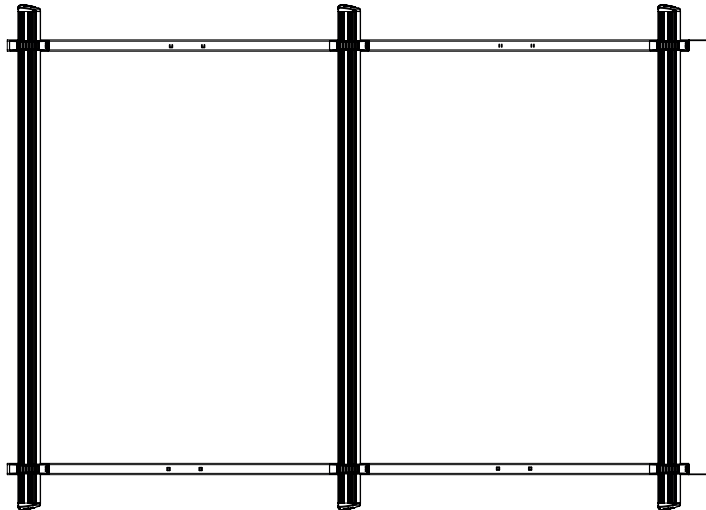


3



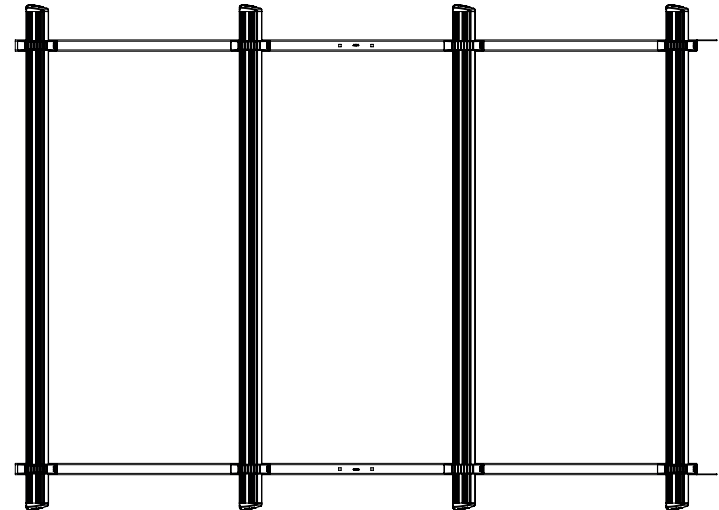
4

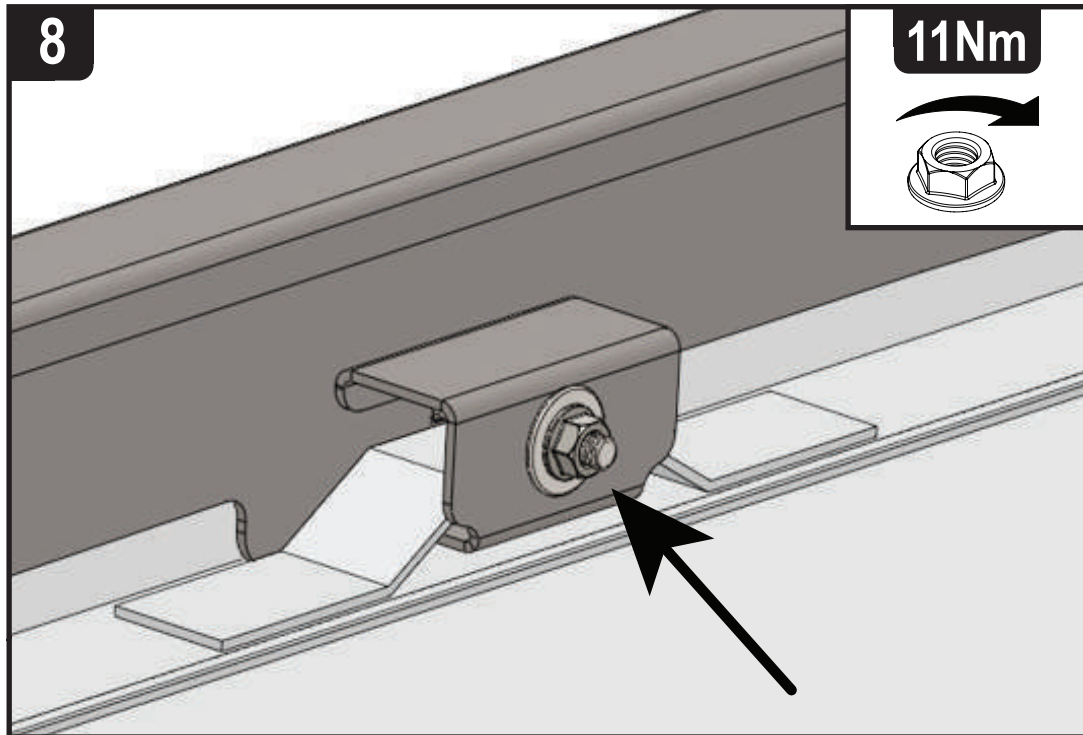
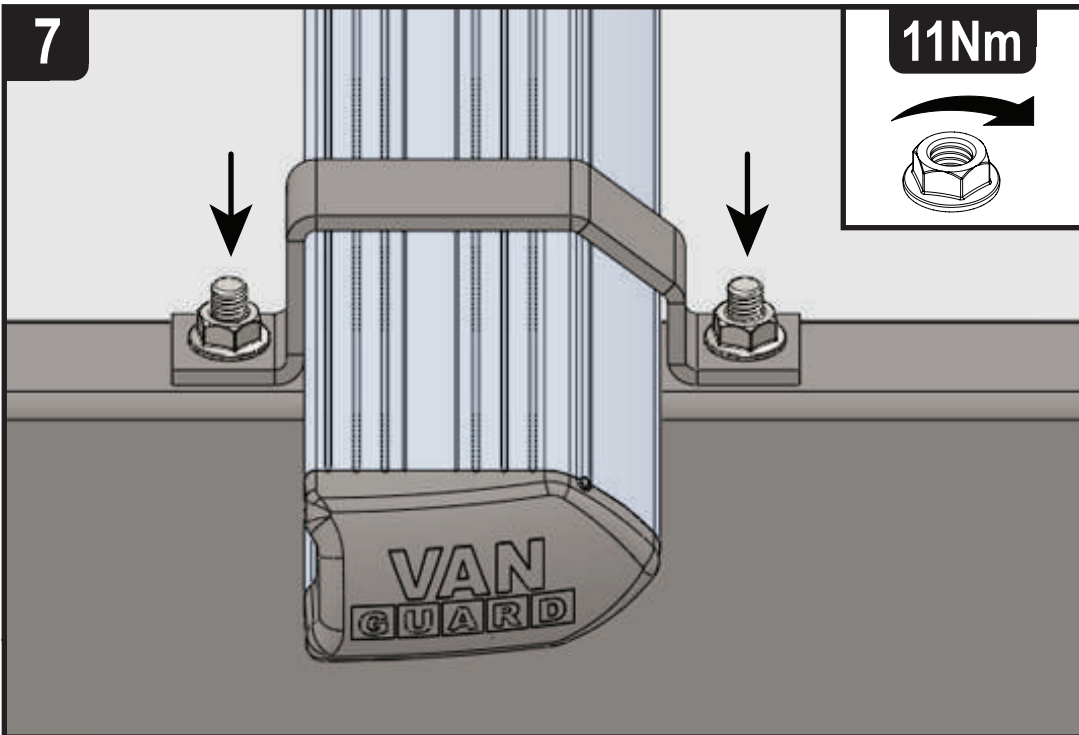
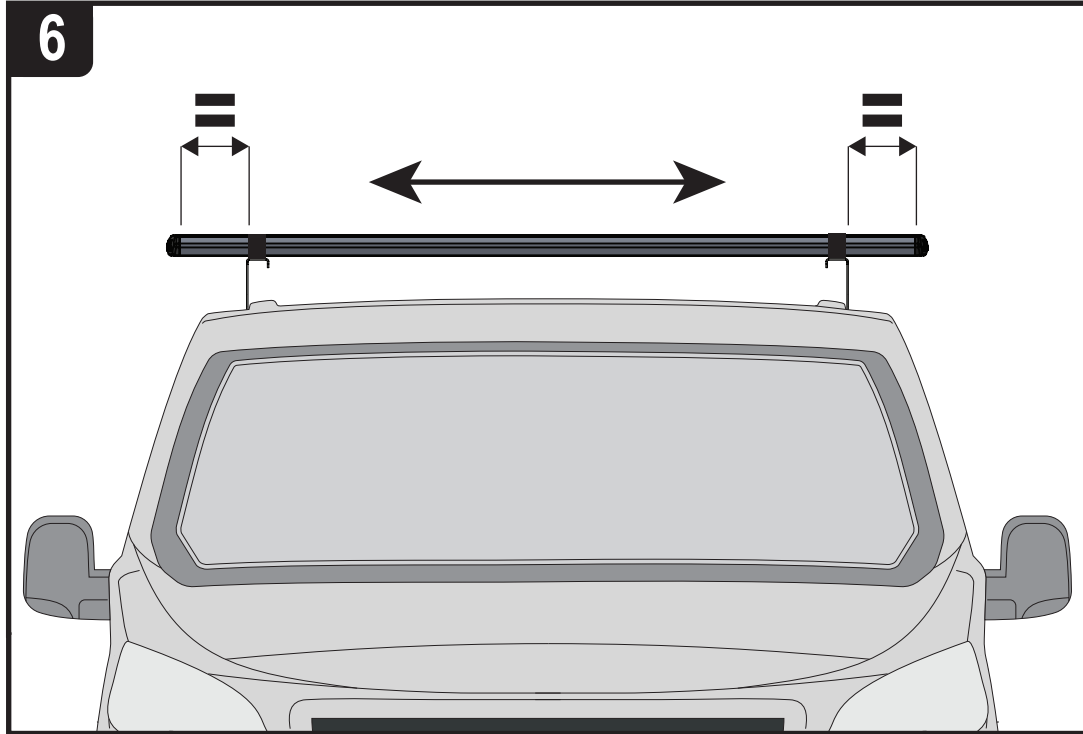
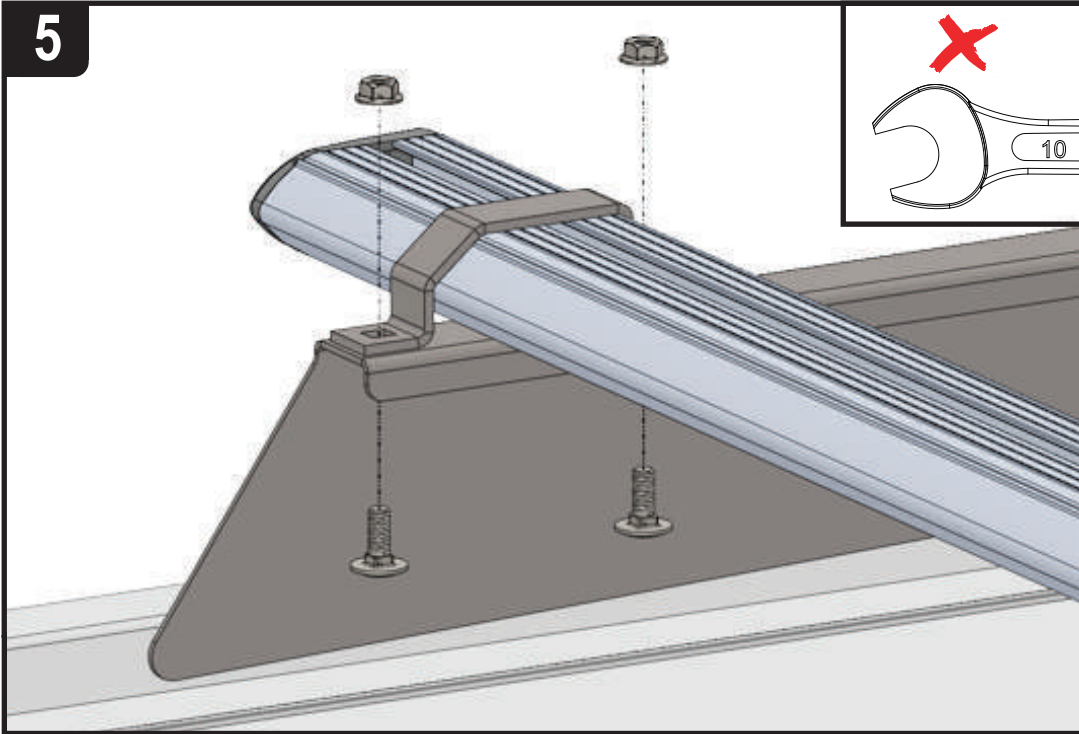
VG337-3-L1H1



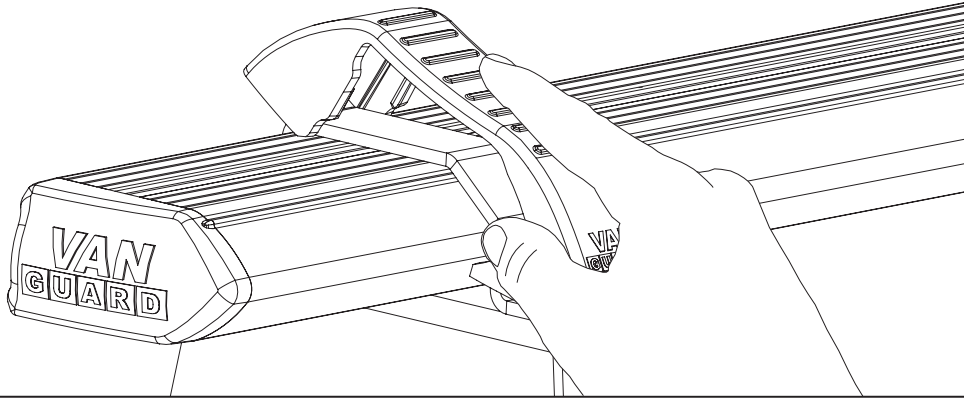
DEPENDENT ON THE SYSTEM YOU ARE FITTING POSITION THE BARS AS SHOWN

VG337-4-L1H1

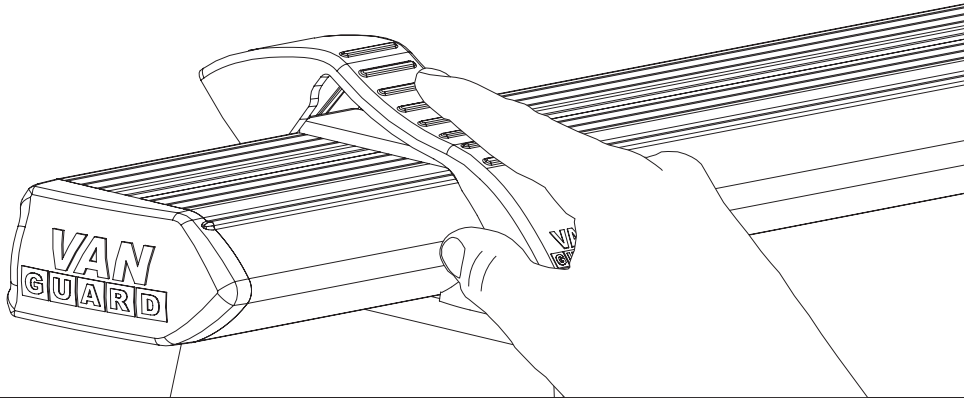




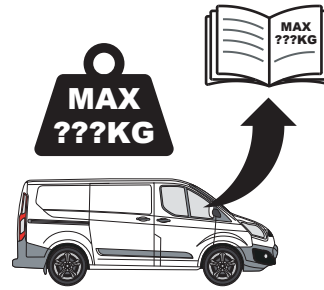
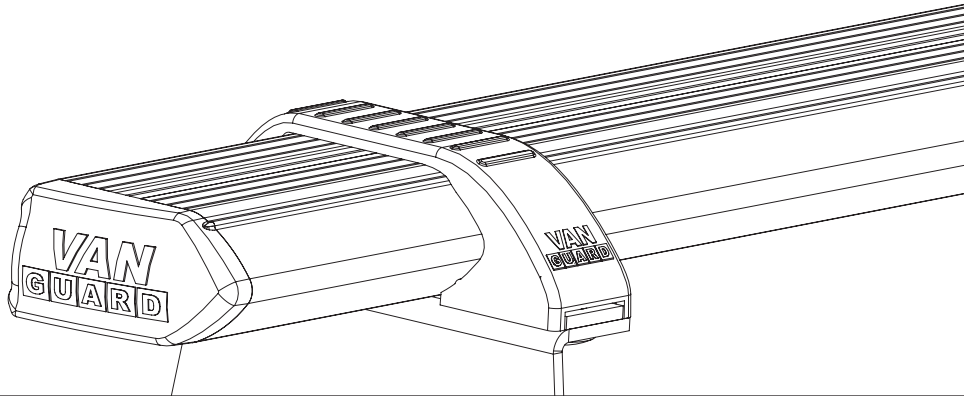
1.



2.



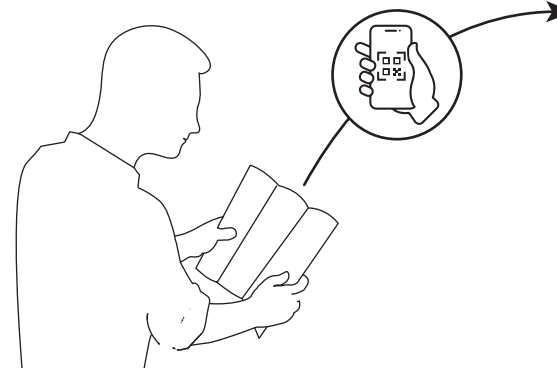
3.



ULTI Bar Trade
(Steel)



ULTI Bar+
(Aluminium)



EN - SAFETY AND PRODUCT INFORMATION
 DE - SICHERHEITS- UND PRODUKTINFORMATIONEN
 FR - INFORMATIONS DE SÉCURITÉ ET DU PRODUIT
 NL - VEILIGHEIDS- EN PRODUCTINFORMATIE
 ES - INFORMACIÓN DE SEGURIDAD Y DEL PRODUCTO
 IT - INFORMAZIONI SULLA SICUREZZA E SUL PRODOTTO

SV - SÄKERHETS- OCH PRODUKTINFORMATION
 DA - SIKKERHEDS- OG PRODUKTINFORMATION
 NO - SIKKERHETS- OG PRODUKTINFORMASJON
 PL - INFORMACJE O BEZPIECZENSTWIE I PRODUKCJE
 CS - INFORMACE O BEZPEČNOSTI A PRODUKTU