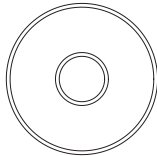
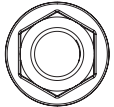
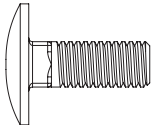
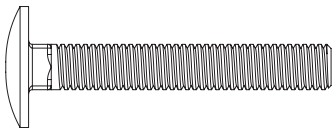
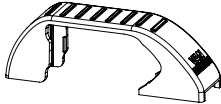
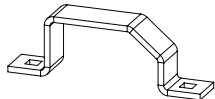
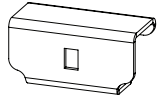

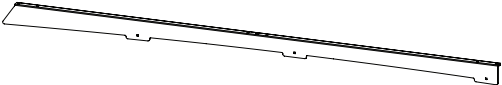



IN8238

ULTI Bars




<p>FX4013 X6 (M6)</p> 	<p>FX4016 (M6)</p> <p>3 BAR = X18 4 BAR = X22</p> 	<p>FX4042 (M6X16)</p> <p>3 BAR = X12 4 BAR = X16</p> 	<p>FX4050 X6 (M6X40)</p> 	<p>MA6065</p> <p>3 BAR = X6 4 BAR = X8</p> 	<p>ME0203</p> <p>3 BAR = X6 4 BAR = X8</p> 	<p>ME0943 X6</p> 
<p>ME0941 X1</p> 		<p>ME0942 X1</p> 				

TOOLS REQUIRED

10MM X 1



TAPE MEASURE X 1






EN - SAFETY AND PRODUCT INFORMATION
 DE - SICHERHEITS- UND PRODUKTINFORMATIONEN
 FR - INFORMATIONS DE SÉCURITÉ ET DU PRODUIT
 NL - VEILIGHEIDS- EN PRODUCTINFORMATIE
 ES - INFORMACIÓN DE SEGURIDAD Y DEL PRODUCTO
 IT - INFORMAZIONI SULLA SICUREZZA E SUL PRODOTTO

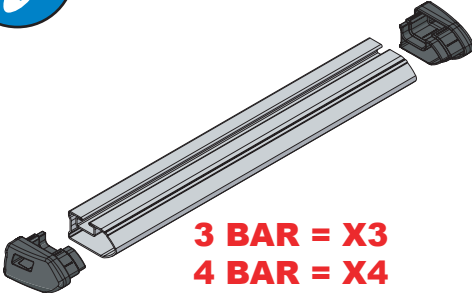
SV - SÄKERHETS- OCH PRODUKTINFORMATION
 DA - SIKKERHEDS- OG PRODUKTINFORMATION
 NO - SIKKERHETS- OG PRODUKTINFORMASJON
 PL - INFORMACJE O BEZPIECZENSTWIE I PRODUKCJE
 CS - INFORMACE O BEZPEČNOSTI A PRODUKTU



Customercare@van-guard.co.uk
UK +44 (0) 1392 368 351



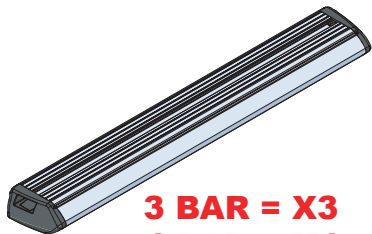
MA6167



3 BAR = X3
4 BAR = X4

MA6166

ULTI Bar Trade
(Steel)



3 BAR = X3
4 BAR = X4

ULTI Bar+
(Aluminium)

337-3-L2H1

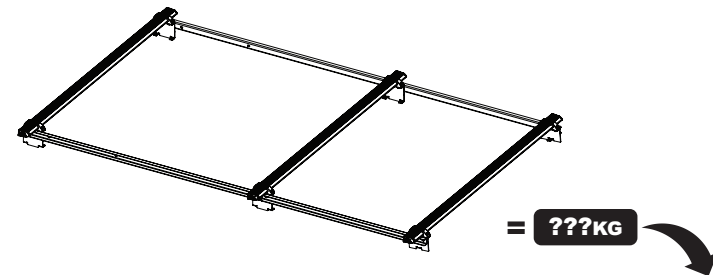
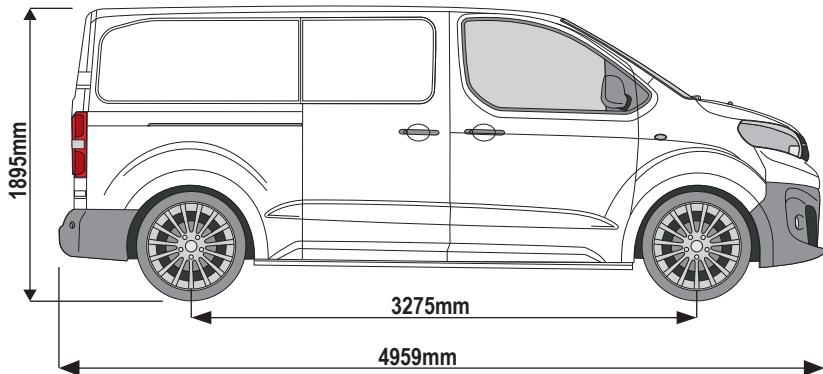
Vehicle:

Citroen Dispatch: 2016 on
 Fiat Scudo: 2022 on
 Peugeot Expert: 2016 on
 Toyota Pro-Ace: 2016 on

Wheel Base: L2 / M / Standard

Roof Height: H1 / Standard

Rear Doors: All



ULTI Bar Trade (Steel) = **18.2KG**

ULTI Bar+ (Aluminium) = **14KG**

339-3-L1

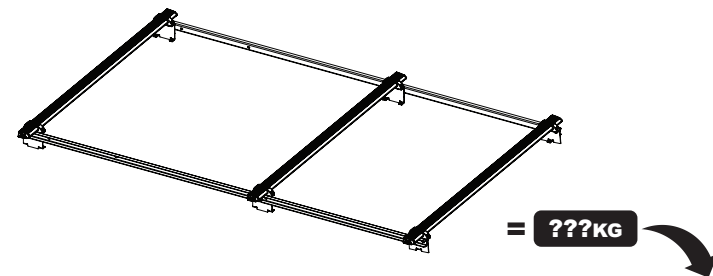
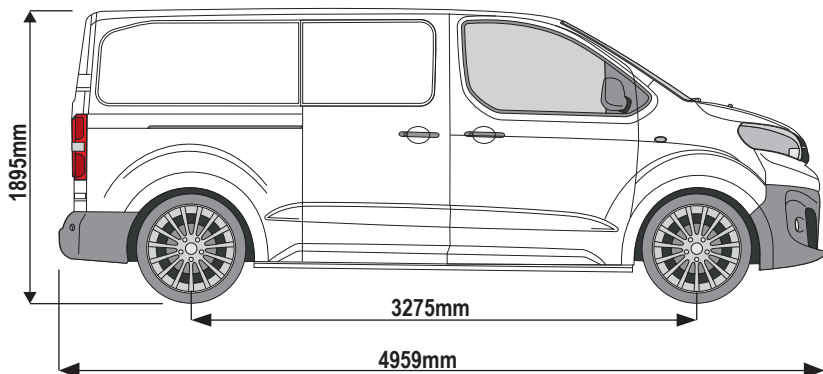
Vehicle:

Vauxhall Vivaro: 2019 on

Wheel Base: L1

Roof Height: H1 / Standard

Rear Doors: All



ULTI Bar Trade (Steel) = **18.2KG**

ULTI Bar+ (Aluminium) = **14KG**

337-4-L2H1

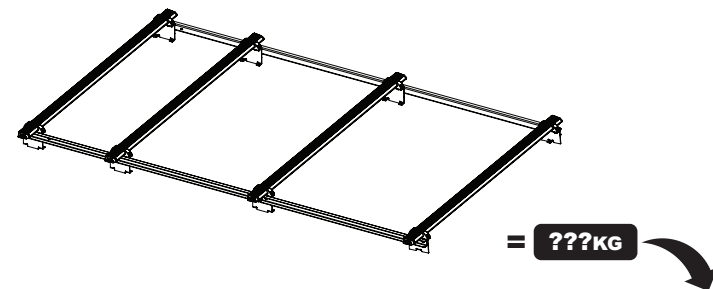
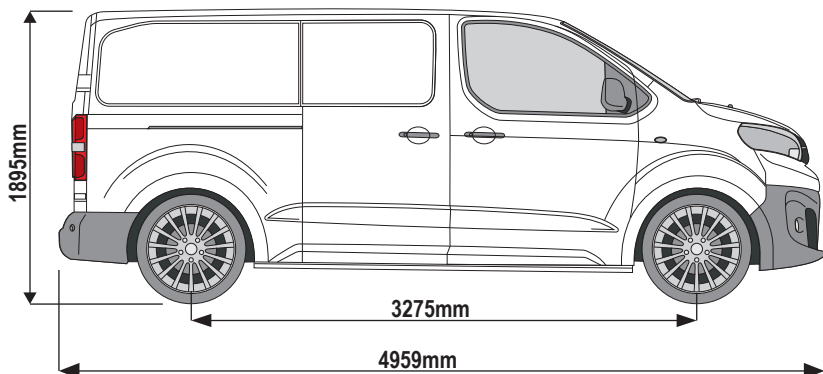
Vehicle:

Citroen Dispatch: 2016 on
 Fiat Scudo: 2022 on
 Peugeot Expert: 2016 on
 Toyota Pro-Ace: 2016 on

Wheel Base: L2 / M / Standard

Roof Height: H1 / Standard

Rear Doors: All

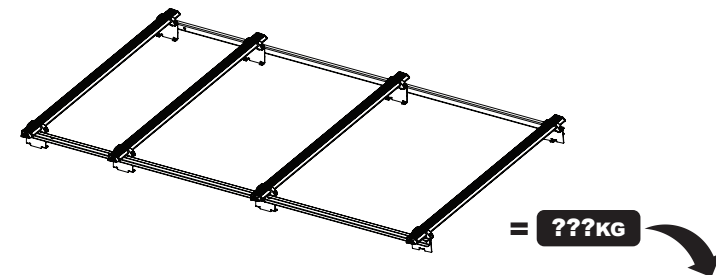
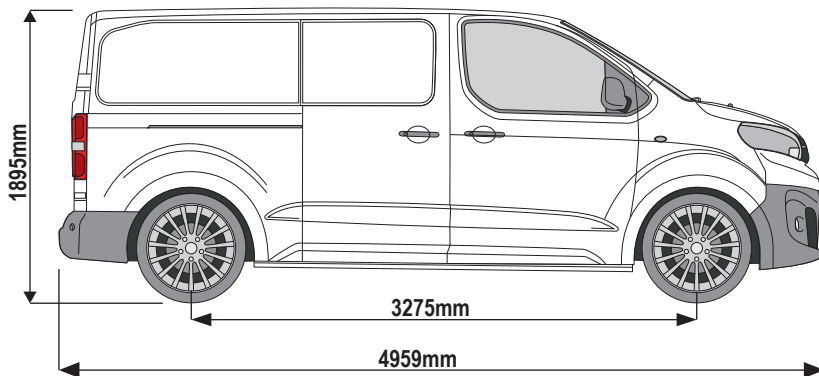


ULTI Bar Trade (Steel) = **21.6KG**

ULTI Bar+ (Aluminium) = **16KG**

339-4-L1

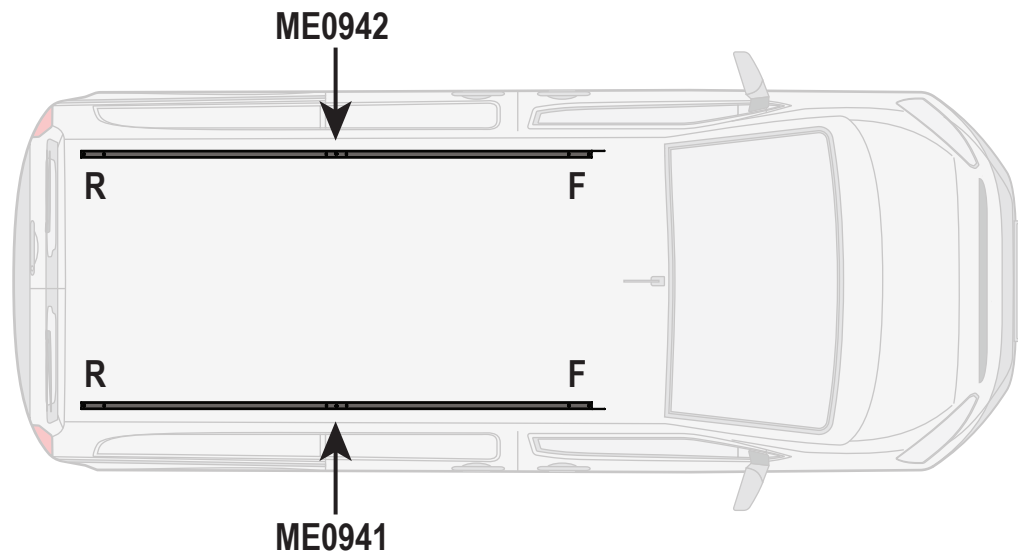
Vehicle:
 Vauxhall Vivaro: 2019 on
Wheel Base: L1
Roof Height: H1 / Standard
Rear Doors: All



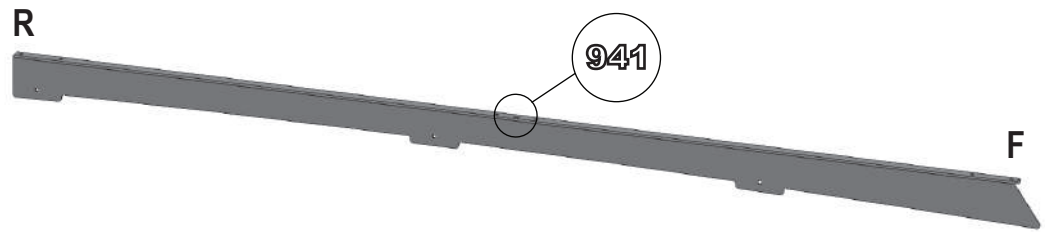
ULTI Bar Trade (Steel) = 21.6KG

ULTI Bar+ (Aluminium) = 16KG

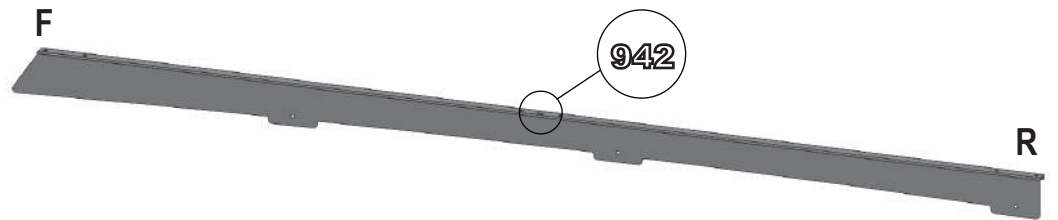
1



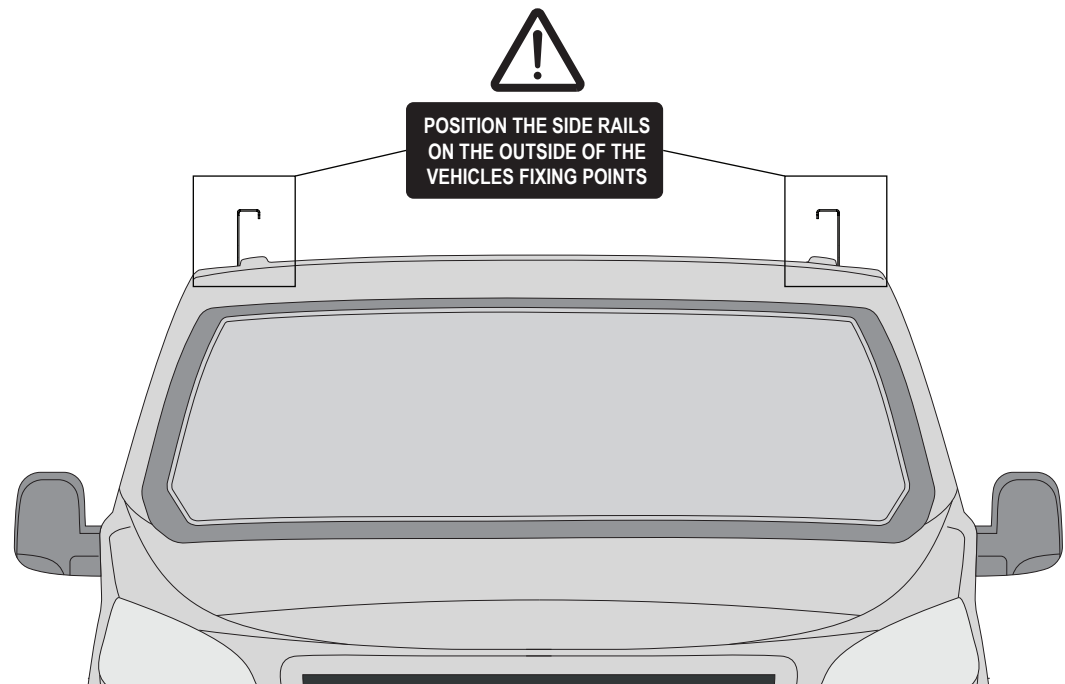
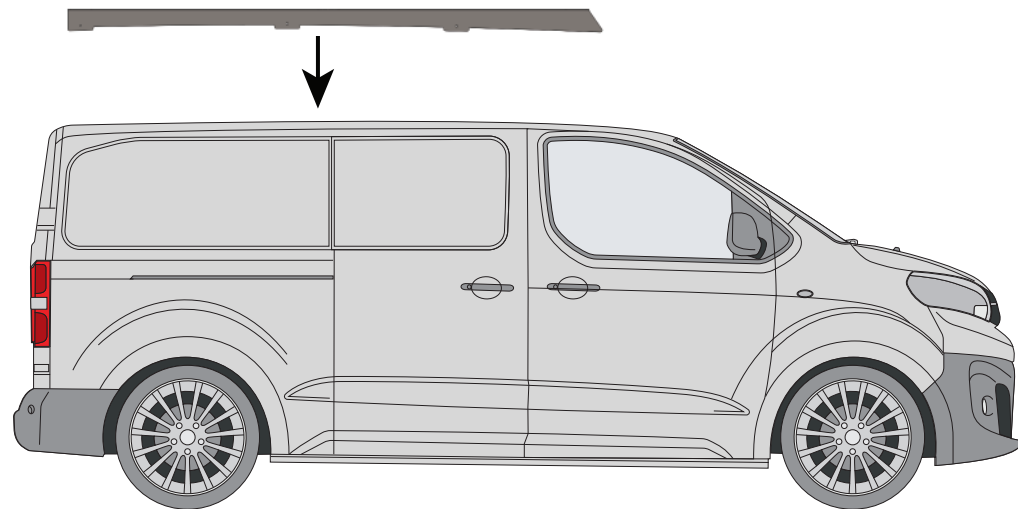
ME0941



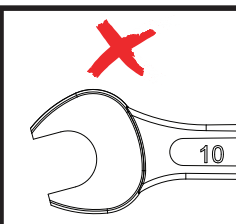
ME0942



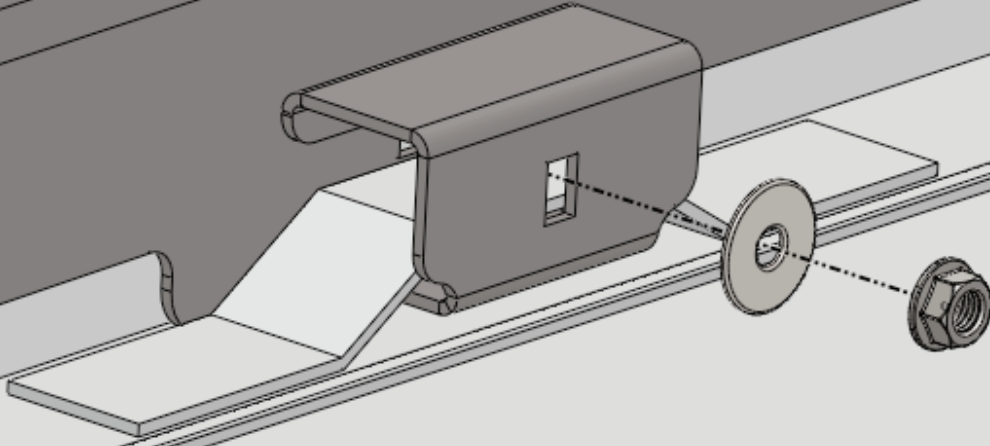
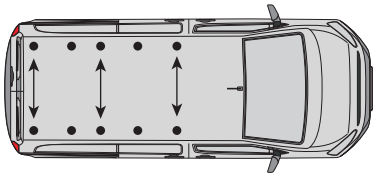
2



3



LOOSELY SECURE TO THE VEHICLES 1ST, 3RD AND 5TH FIXING POINTS



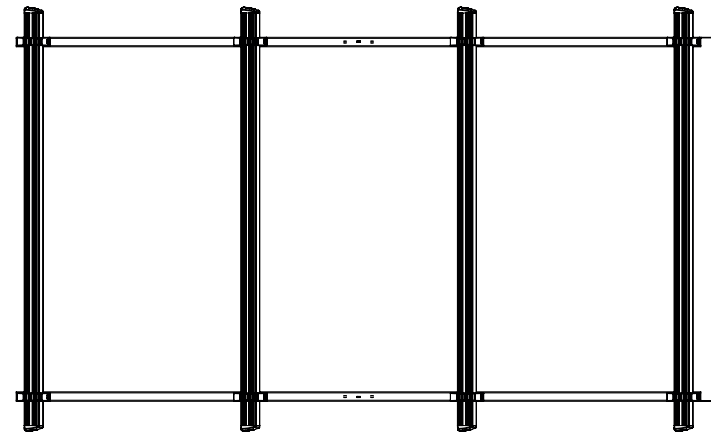
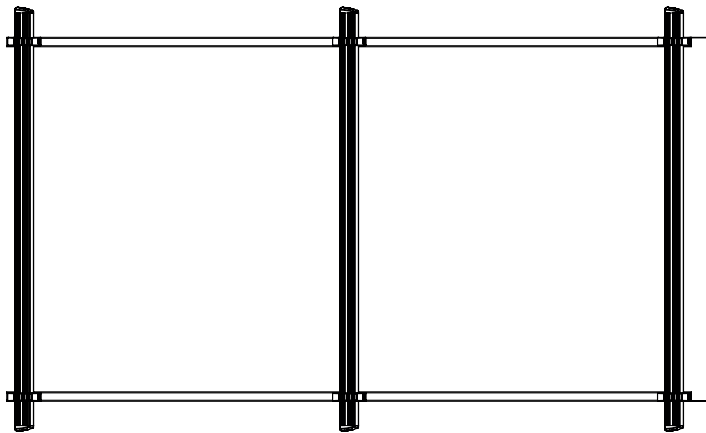
4

VG337-3-L2H1 / VG339-3-L1

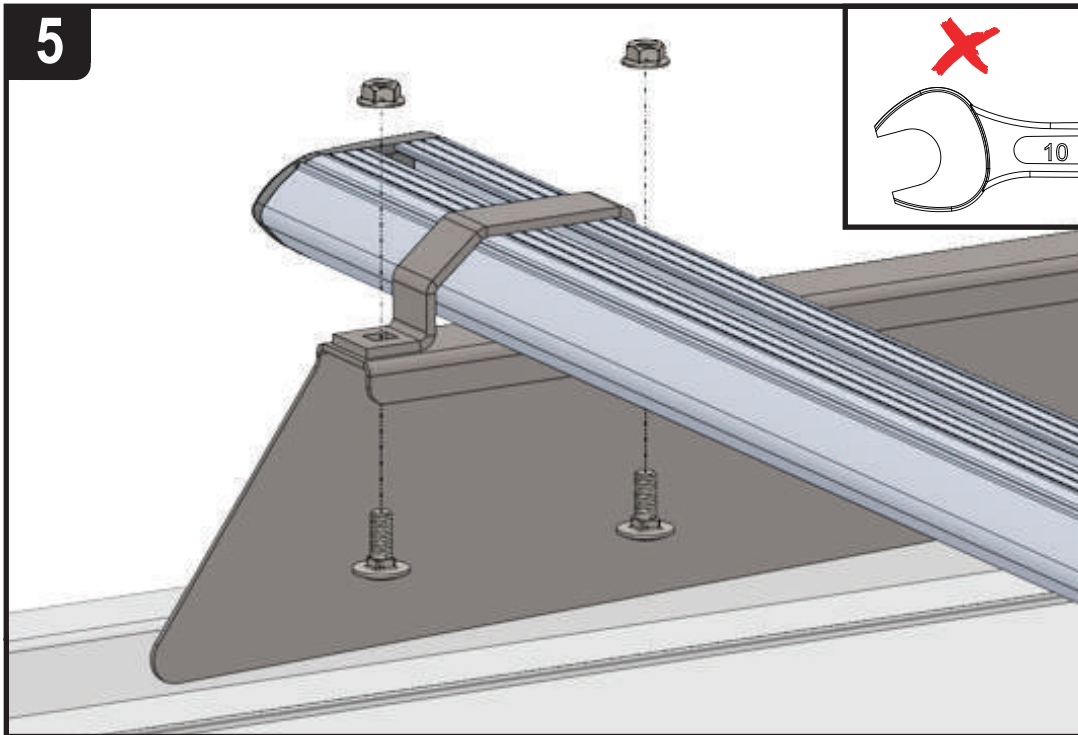
VG337-4-L2H1 / VG339-4-L1



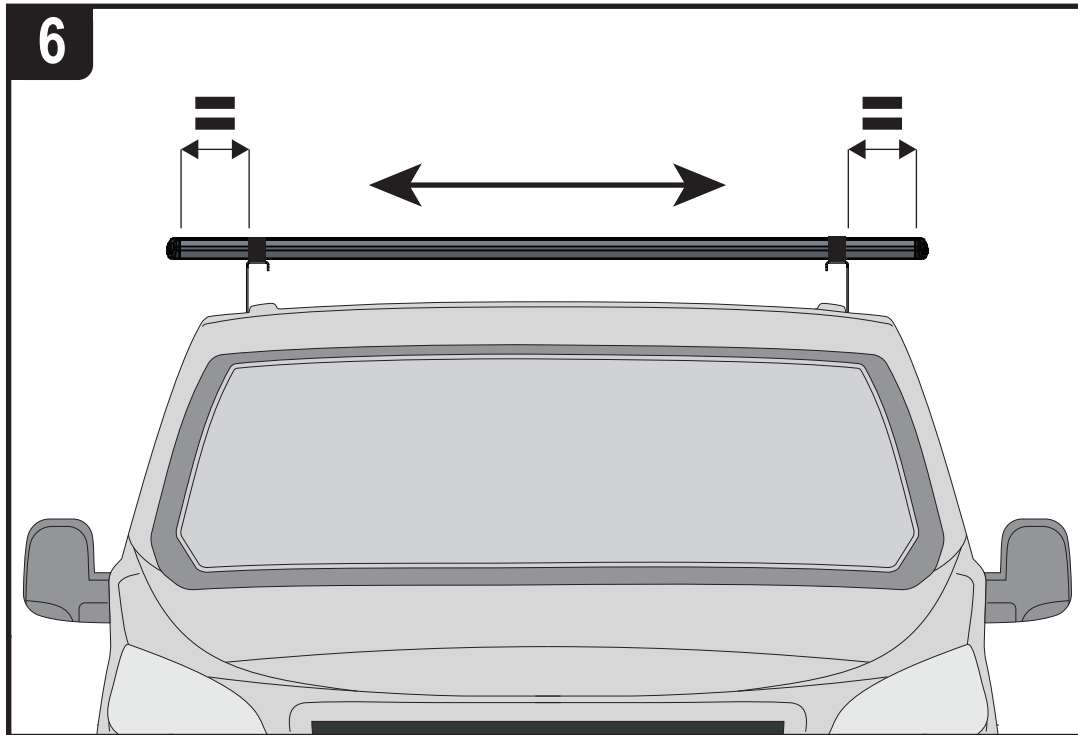
DEPENDENT ON THE SYSTEM YOU ARE FITTING POSITION THE BARS AS SHOWN



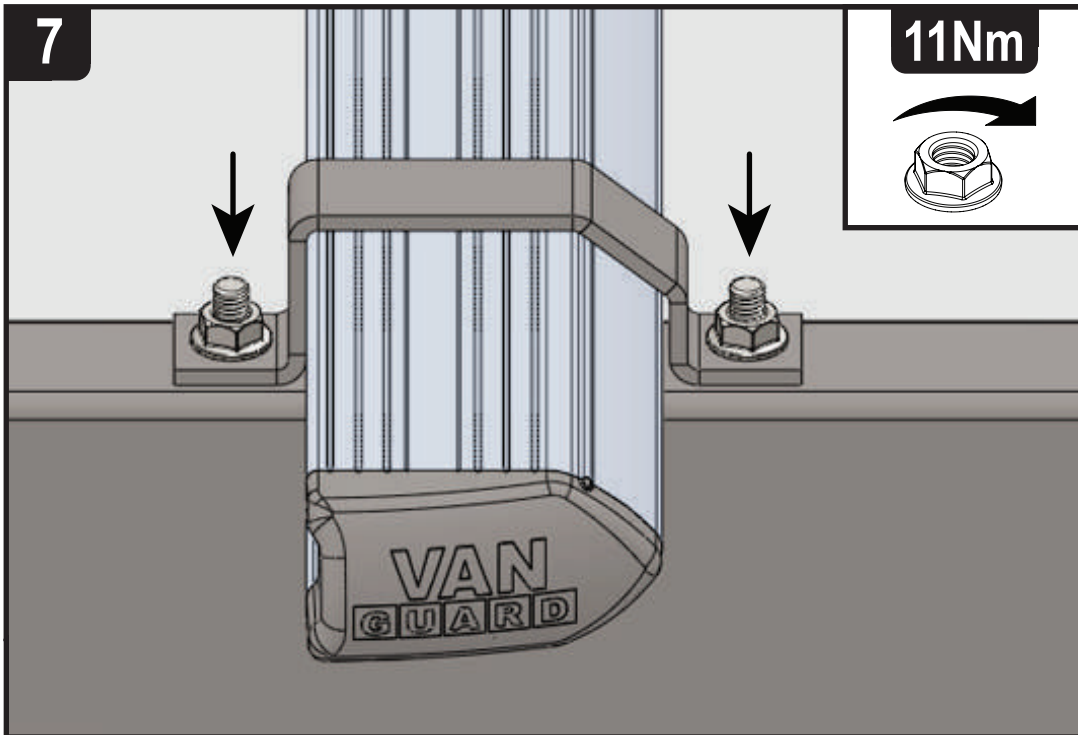
5



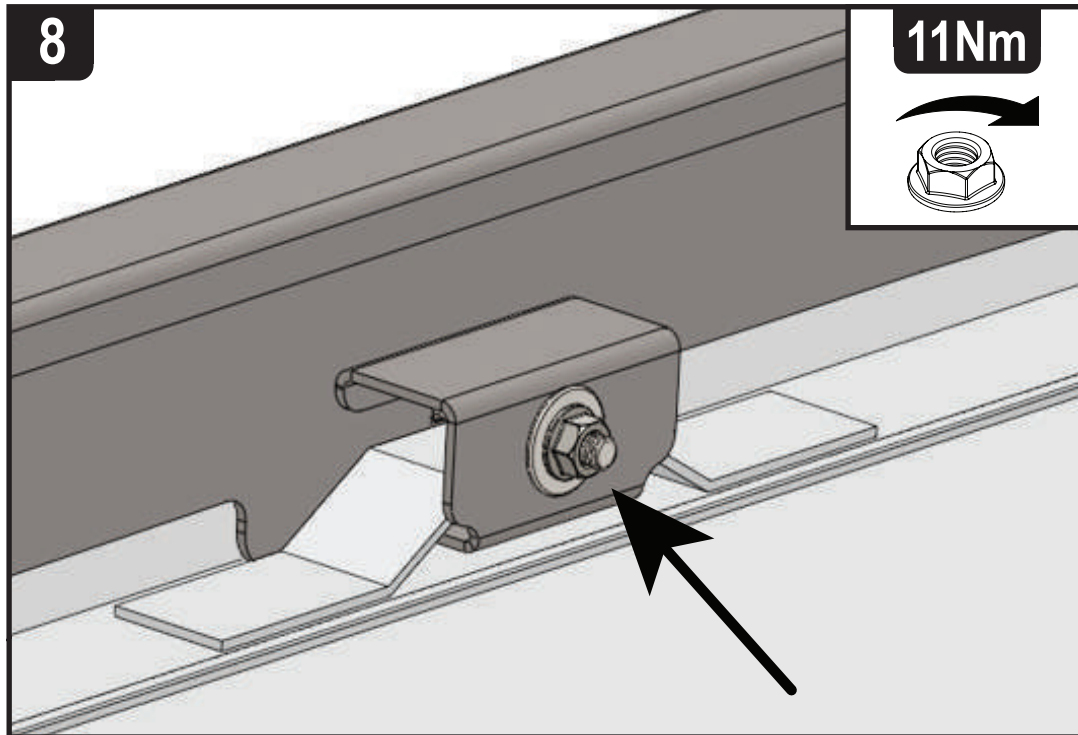
6

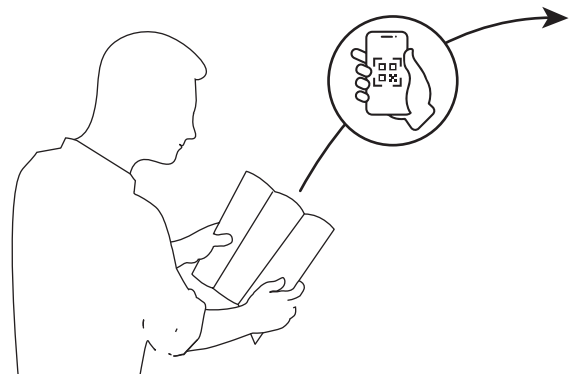
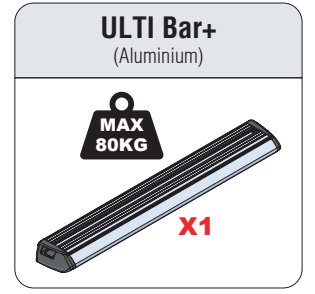
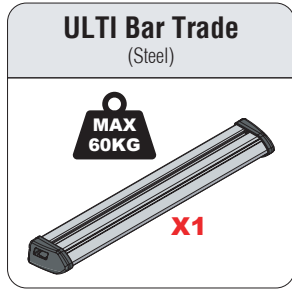
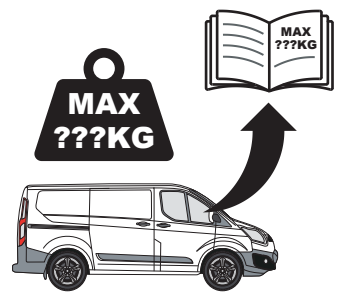
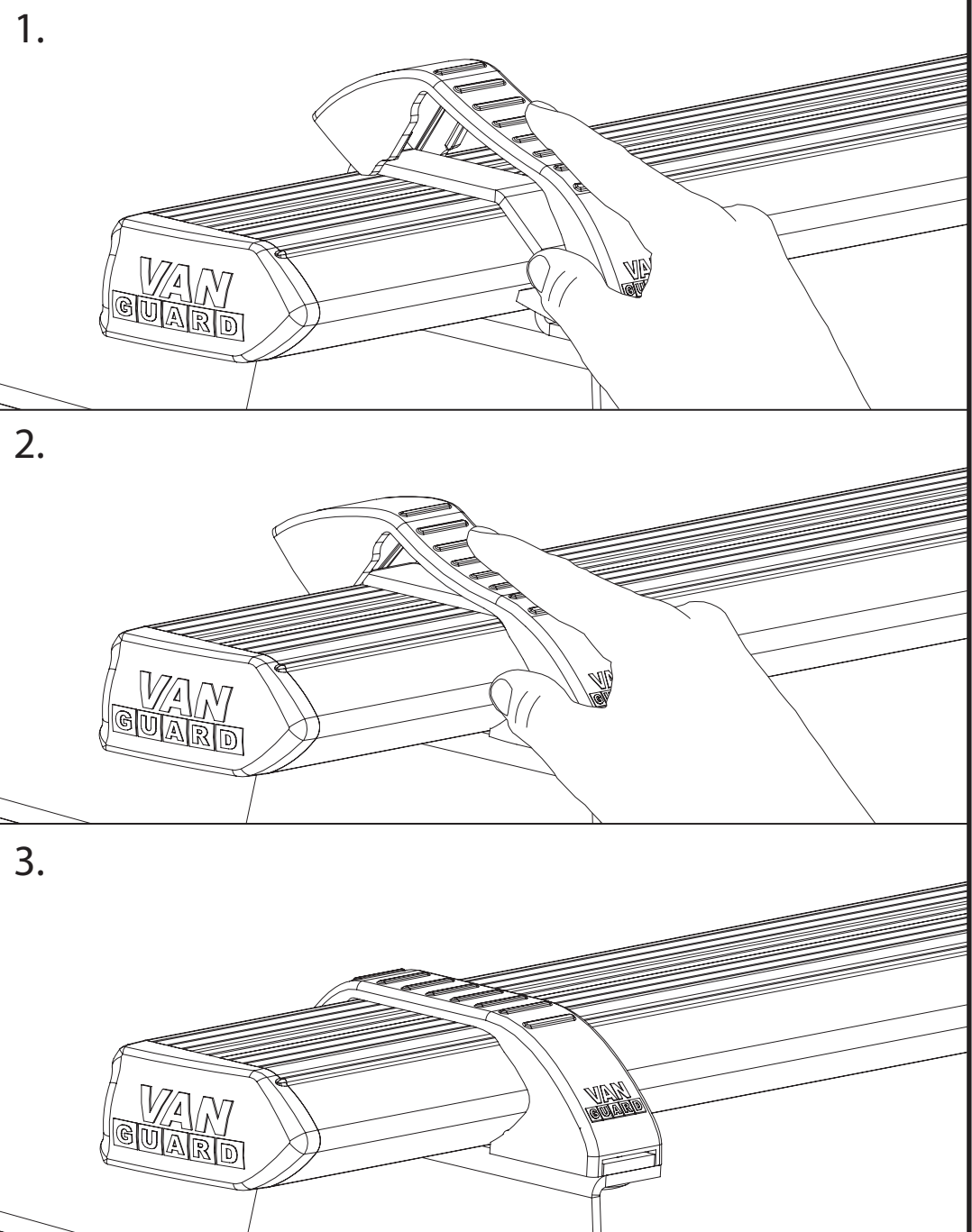


7



8





EN - SAFETY AND PRODUCT INFORMATION
DE - SICHERHEITS- UND PRODUKTINFORMATIONEN
FR - INFORMATIONS DE SÉCURITÉ ET DU PRODUIT
NL - VEILIGHEIDS- EN PRODUCTINFORMATIE
ES - INFORMACIÓN DE SEGURIDAD Y DEL PRODUCTO
IT - INFORMAZIONI SULLA SICUREZZA E SUL PRODOTTO

SV - SÄKERHETS- OCH PRODUKTINFORMATION
DA - SIKKERHEDS- OG PRODUKTINFORMATION
NO - SIKKERHETS- OG PRODUKTINFORMASJON
PL - INFORMACJE O BEZPIECZENSTWIE I PRODUKCJE
CS - INFORMACE O BEZPEČNOSTI A PRODUKTU