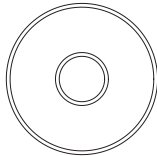

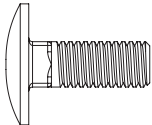
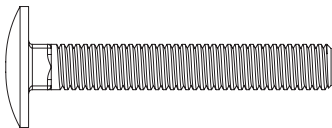
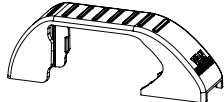
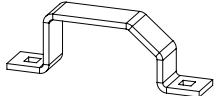
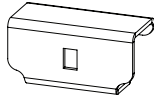





IN8239

ULTI Bars




<p>FX4013 X8 (M6)</p> 	<p>FX4016 (M6) 3 BAR = X20 4 BAR = X24</p> 	<p>FX4042 (M6X16) 3 BAR = X12 4 BAR = X16</p> 	<p>FX4050 X8 (M6X40)</p> 	<p>MA6065 3 BAR = X6 4 BAR = X8</p> 	<p>ME0203 3 BAR = X6 4 BAR = X8</p> 	<p>ME0943 X8</p> 
<p>ME1008 X1</p> 		<p>ME1009 X1</p> 				

TOOLS REQUIRED

10MM X 1



TAPE MEASURE X 1






EN - SAFETY AND PRODUCT INFORMATION
 DE - SICHERHEITS- UND PRODUKTINFORMATIONEN
 FR - INFORMATIONS DE SÉCURITÉ ET DU PRODUIT
 NL - VEILIGHEIDS- EN PRODUCTINFORMATIE
 ES - INFORMACIÓN DE SEGURIDAD Y DEL PRODUCTO
 IT - INFORMAZIONI SULLA SICUREZZA E SUL PRODOTTO


SV - SÄKERHETS- OCH PRODUKTINFORMATION
 DA - SIKKERHEDS- OG PRODUKTINFORMATION
 NO - SIKKERHETS- OG PRODUKTINFORMASJON
 PL - INFORMACJE O BEZPIECZENSTWIE I PRODUKCJE
 CS - INFORMACE O BEZPEČNOSTI A PRODUKTU



Customercare@van-guard.co.uk
UK +44 (0) 1392 368 351



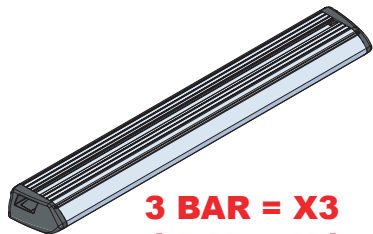
MA6167



3 BAR = X3
4 BAR = X4

MA6166

ULTI Bar Trade
(Steel)



3 BAR = X3
4 BAR = X4

ULTI Bar+
(Aluminium)

337-3-L3H1

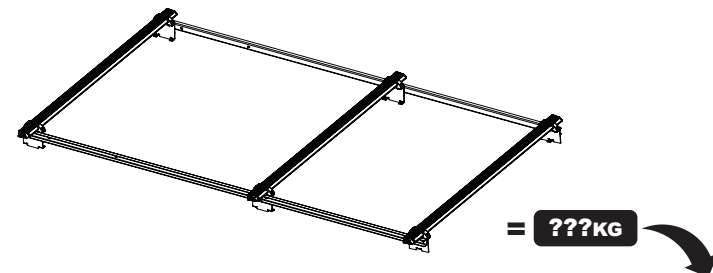
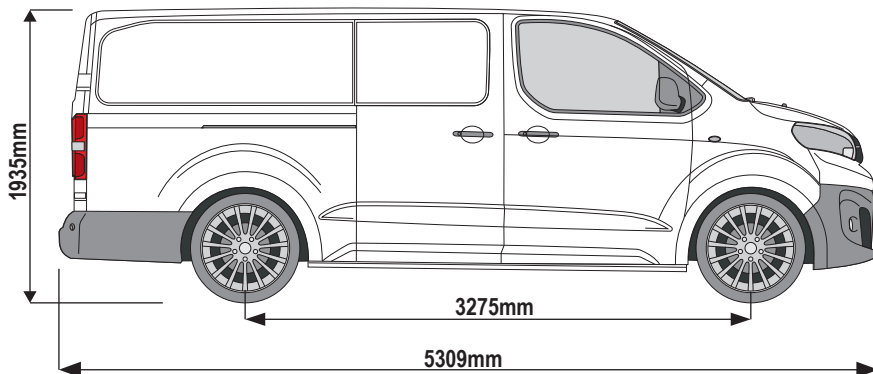
Vehicle:

Citroen Dispatch: 2016 on
 Fiat Scudo: 2022 on
 Peugeot Expert: 2016 on
 Toyota Pro-Ace: 2016 on

Wheel Base: L3 / XL / Long

Roof Height: H1 / Standard

Rear Doors: All



ULTI Bar Trade (Steel) = **19.7KG**

ULTI Bar+ (Aluminium) = **15.5KG**

339-3-L2

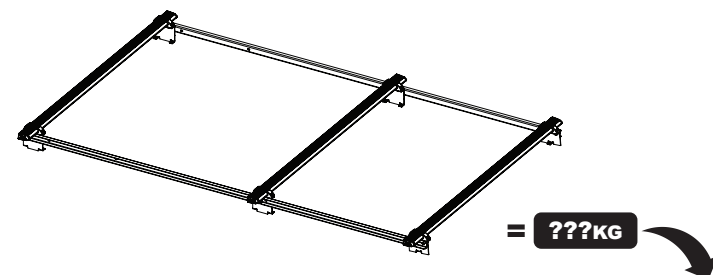
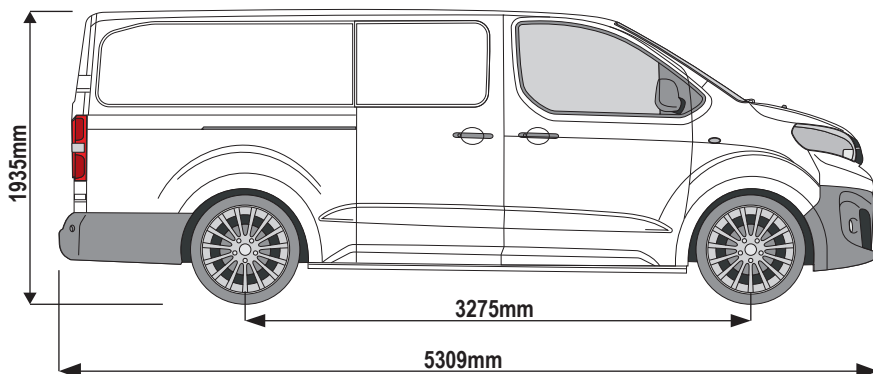
Vehicle:

Vauxhall Vivaro: 2019 on

Wheel Base: L2

Roof Height: H1 / Standard

Rear Doors: All



ULTI Bar Trade (Steel) = **19.7KG**

ULTI Bar+ (Aluminium) = **15.5KG**

337-4-L3H1

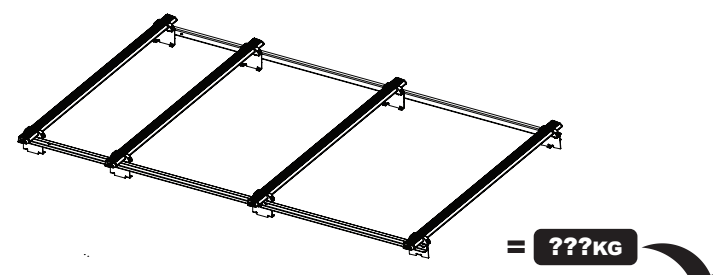
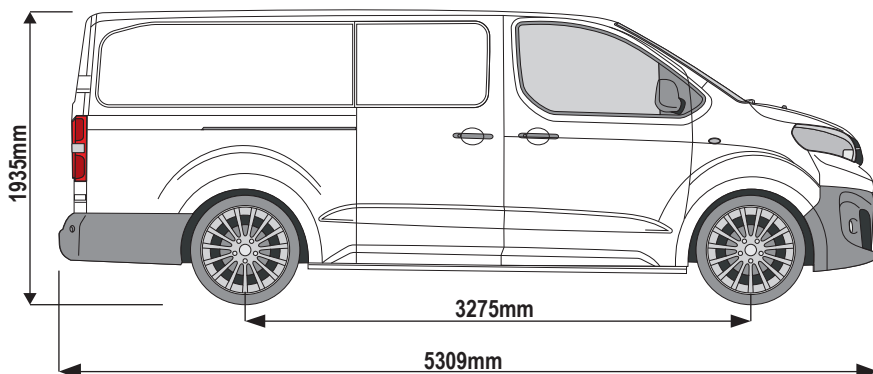
Vehicle:

Citroen Dispatch: 2016 on
 Fiat Scudo: 2022 on
 Peugeot Expert: 2016 on
 Toyota Pro-Ace: 2016 on

Wheel Base: L3 / XL / Long

Roof Height: H1 / Standard

Rear Doors: All

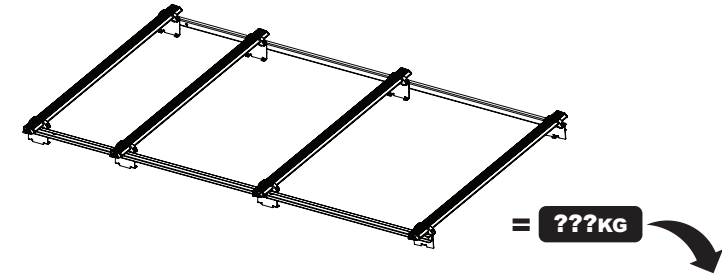
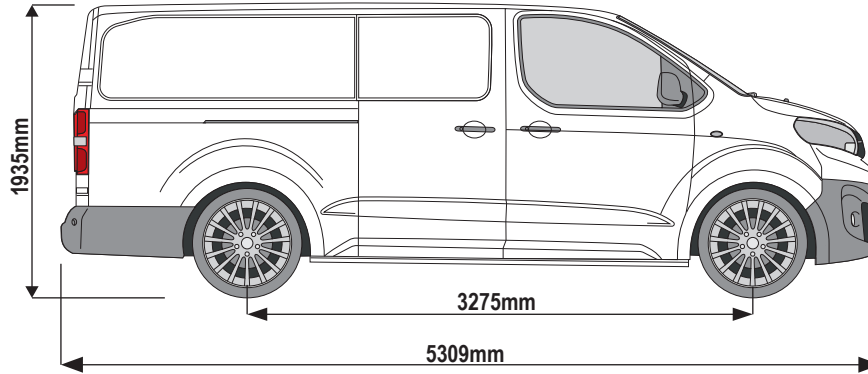


ULTI Bar Trade (Steel) = **23.1KG**

ULTI Bar+ (Aluminium) = **17.5KG**

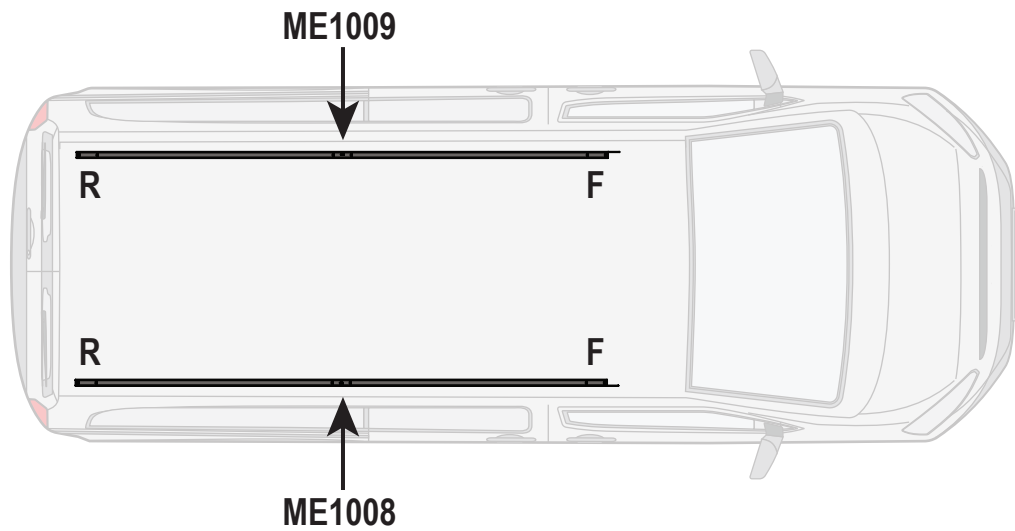
339-4-L2

Vehicle:
 Vauxhall Vivaro: 2019 on
Wheel Base: L2
Roof Height: H1 / Standard
Rear Doors: All

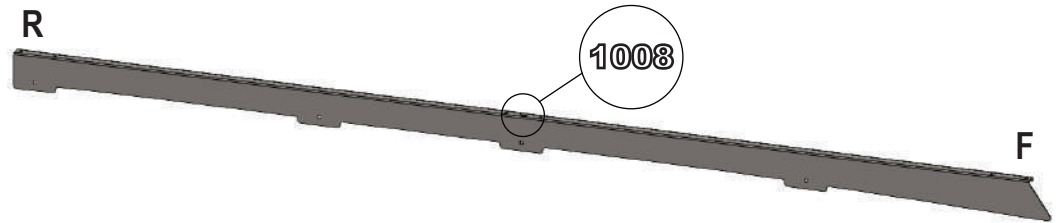


ULTI Bar Trade (Steel) = 23.1KG
ULTI Bar+ (Aluminium) = 17.5KG

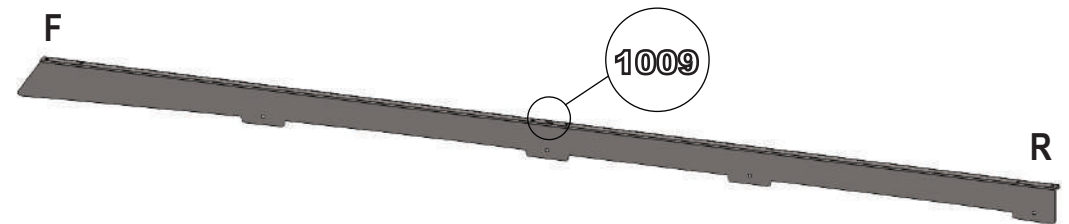
1



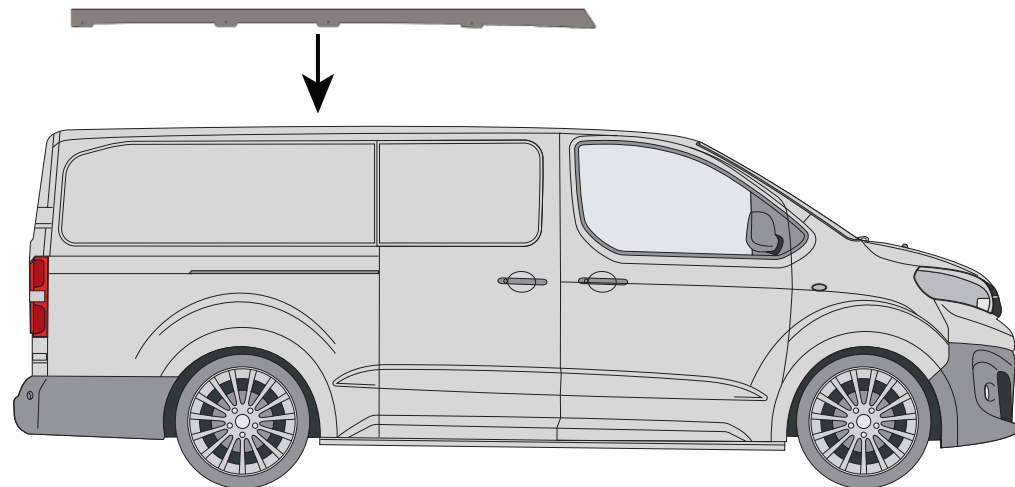
ME1008



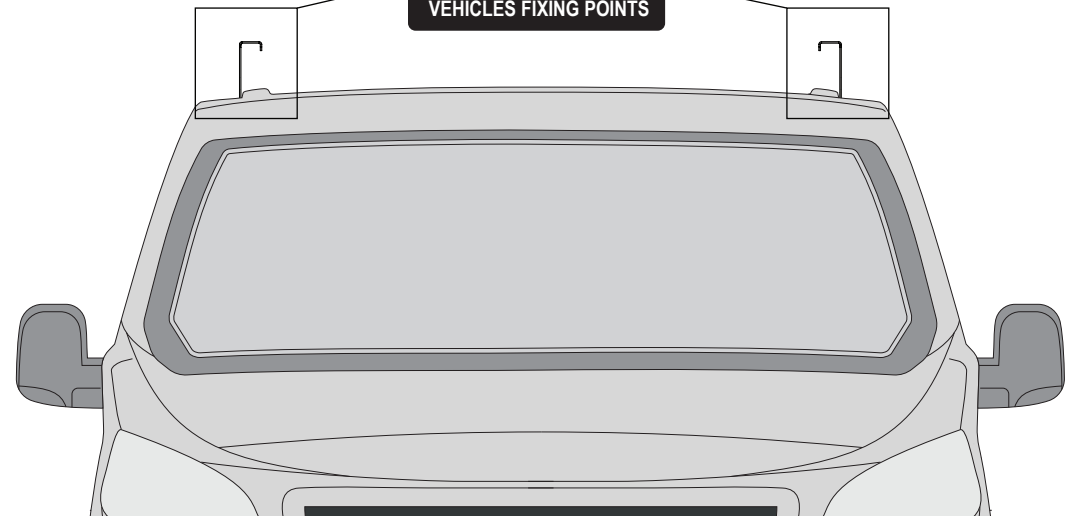
ME1009



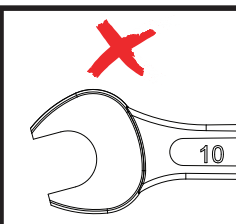
2



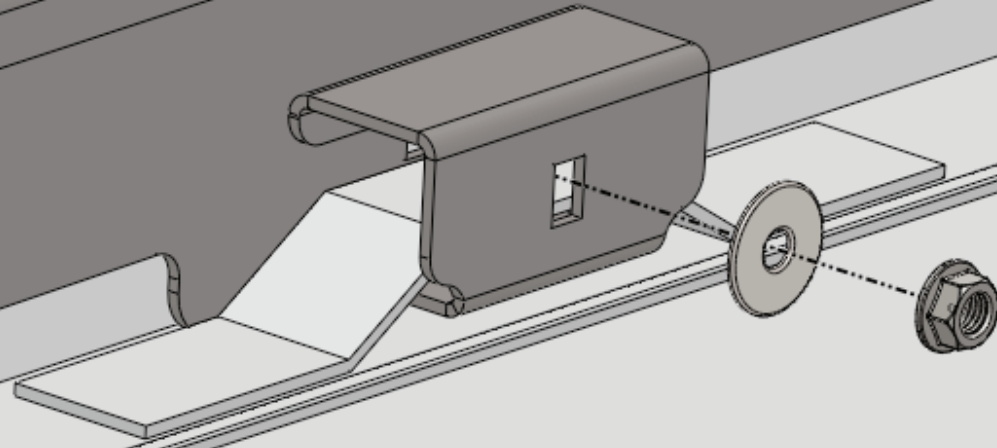
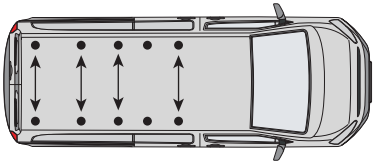
POSITION THE SIDE RAILS
ON THE OUTSIDE OF THE
VEHICLES FIXING POINTS



3

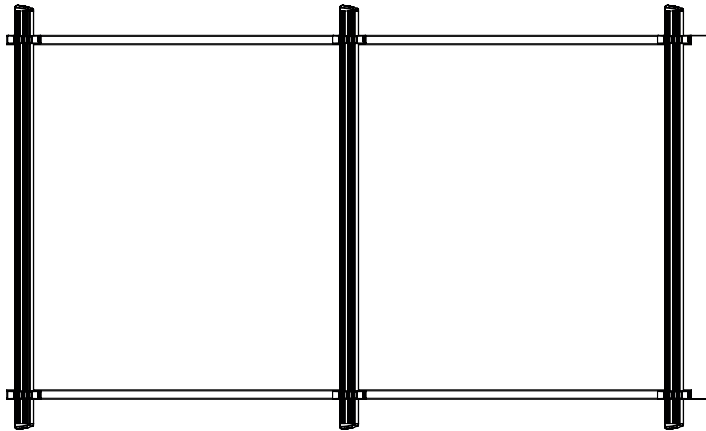


LOOSELY SECURE TO THE VEHICLES 1ST, 3RD, 4TH AND 5TH FIXING POINTS



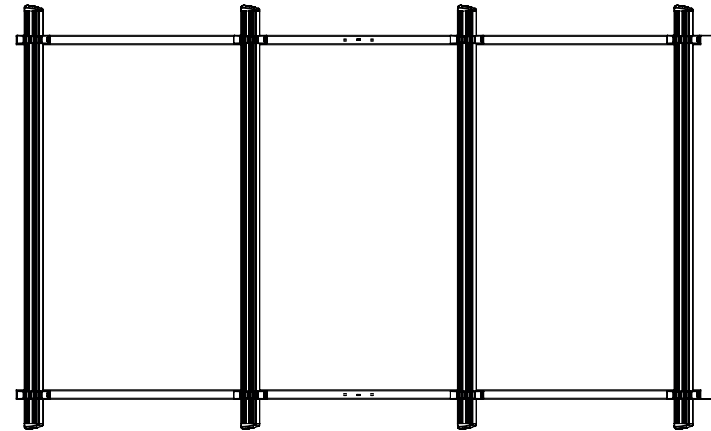
4

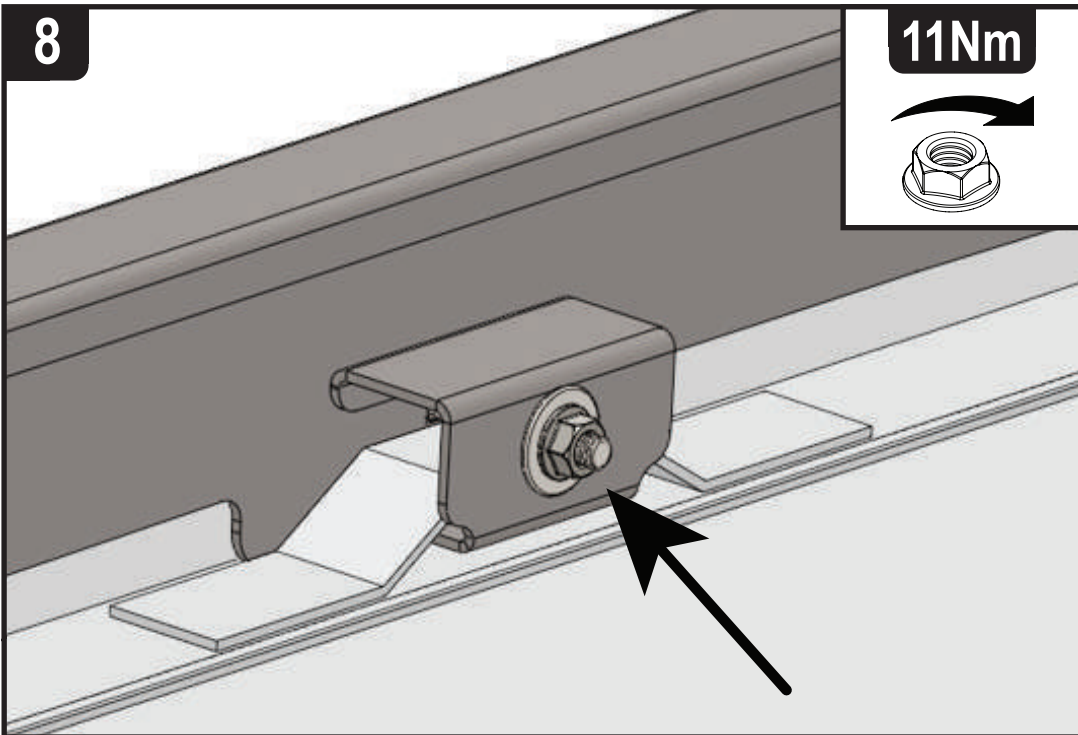
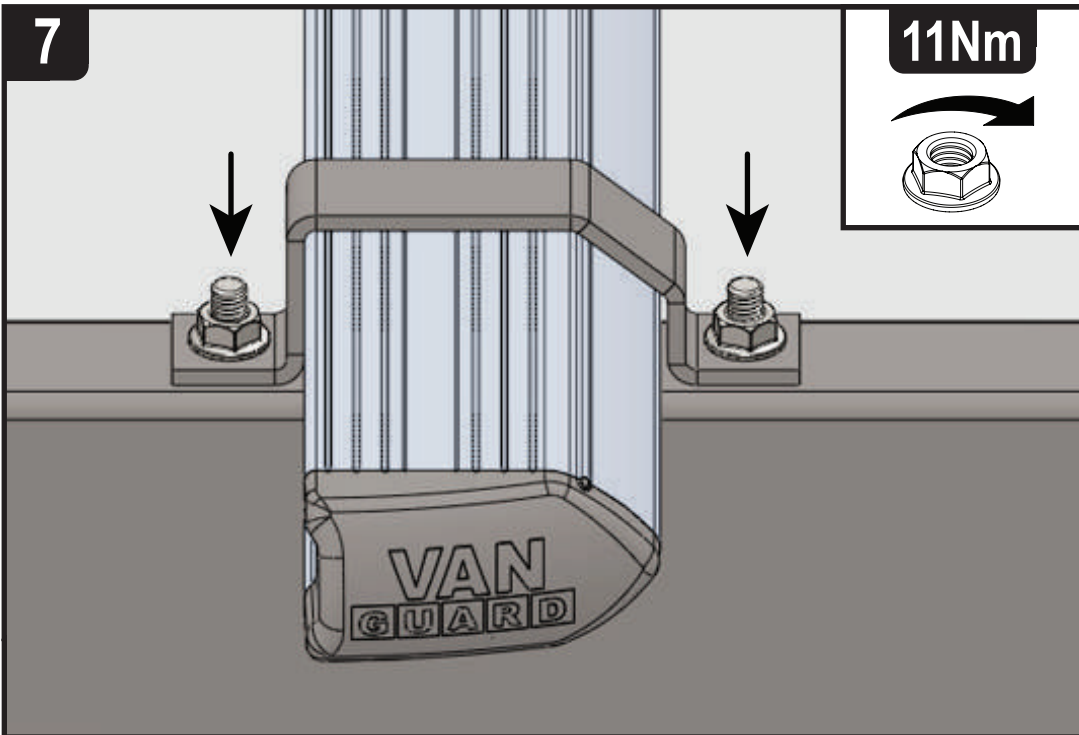
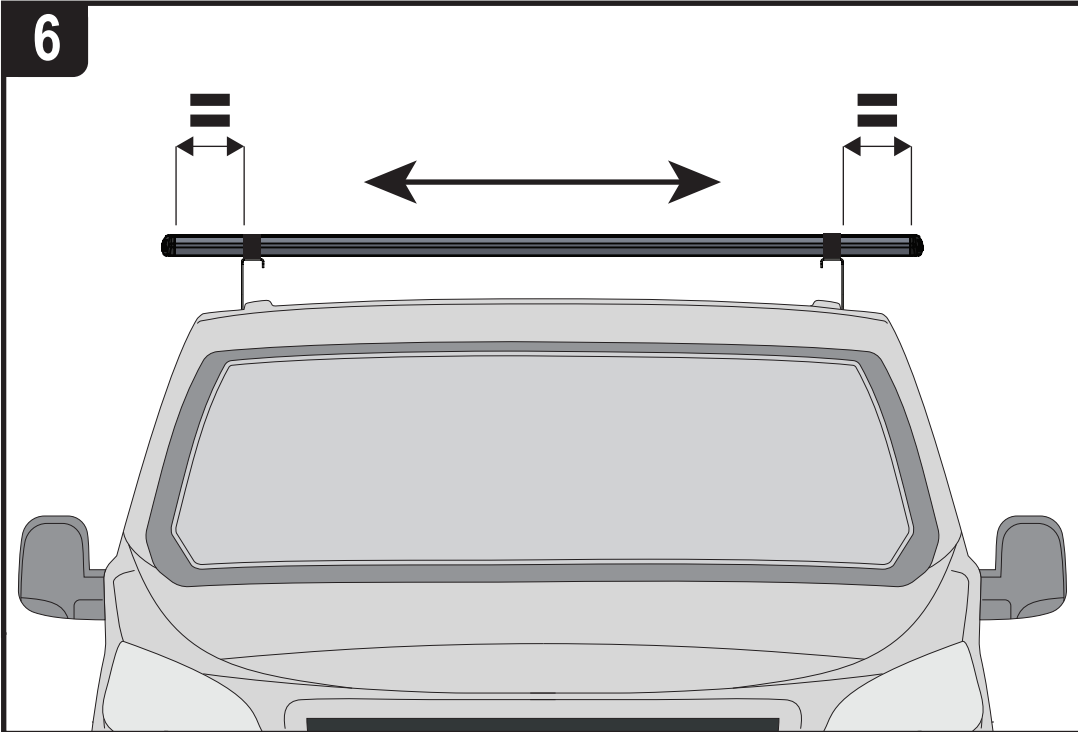
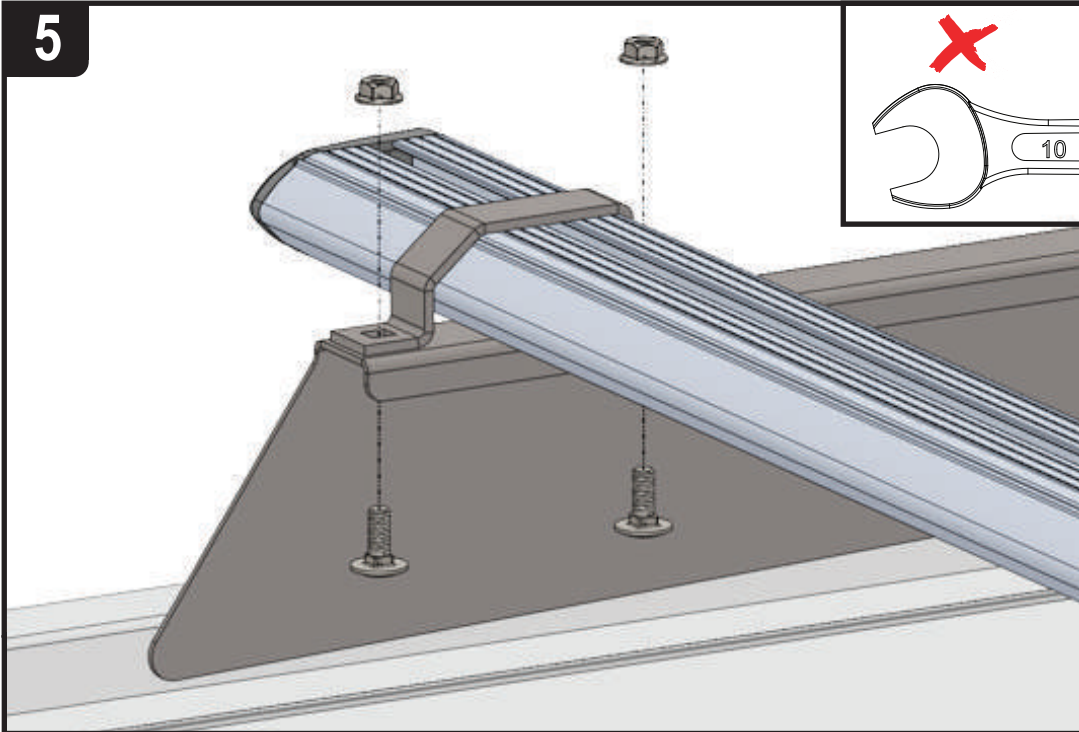
VG337-3-L3H1 / VG339-3-L2

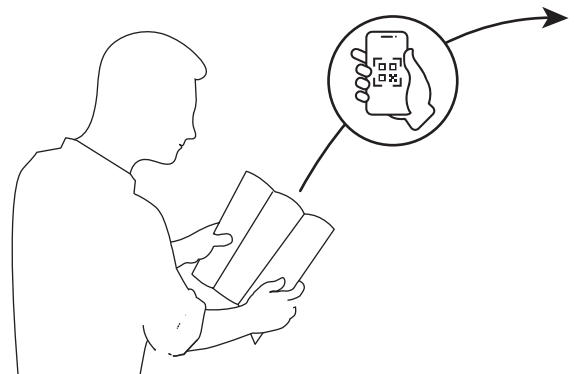
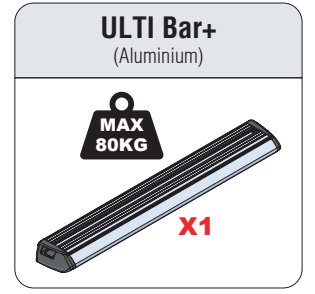
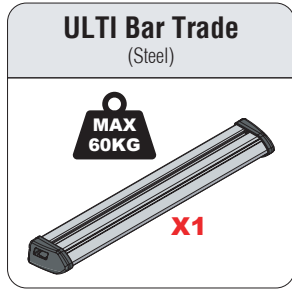
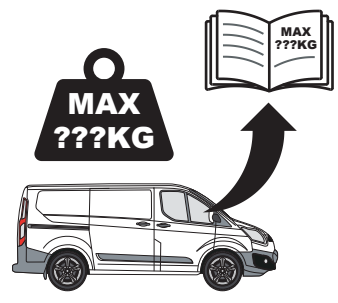
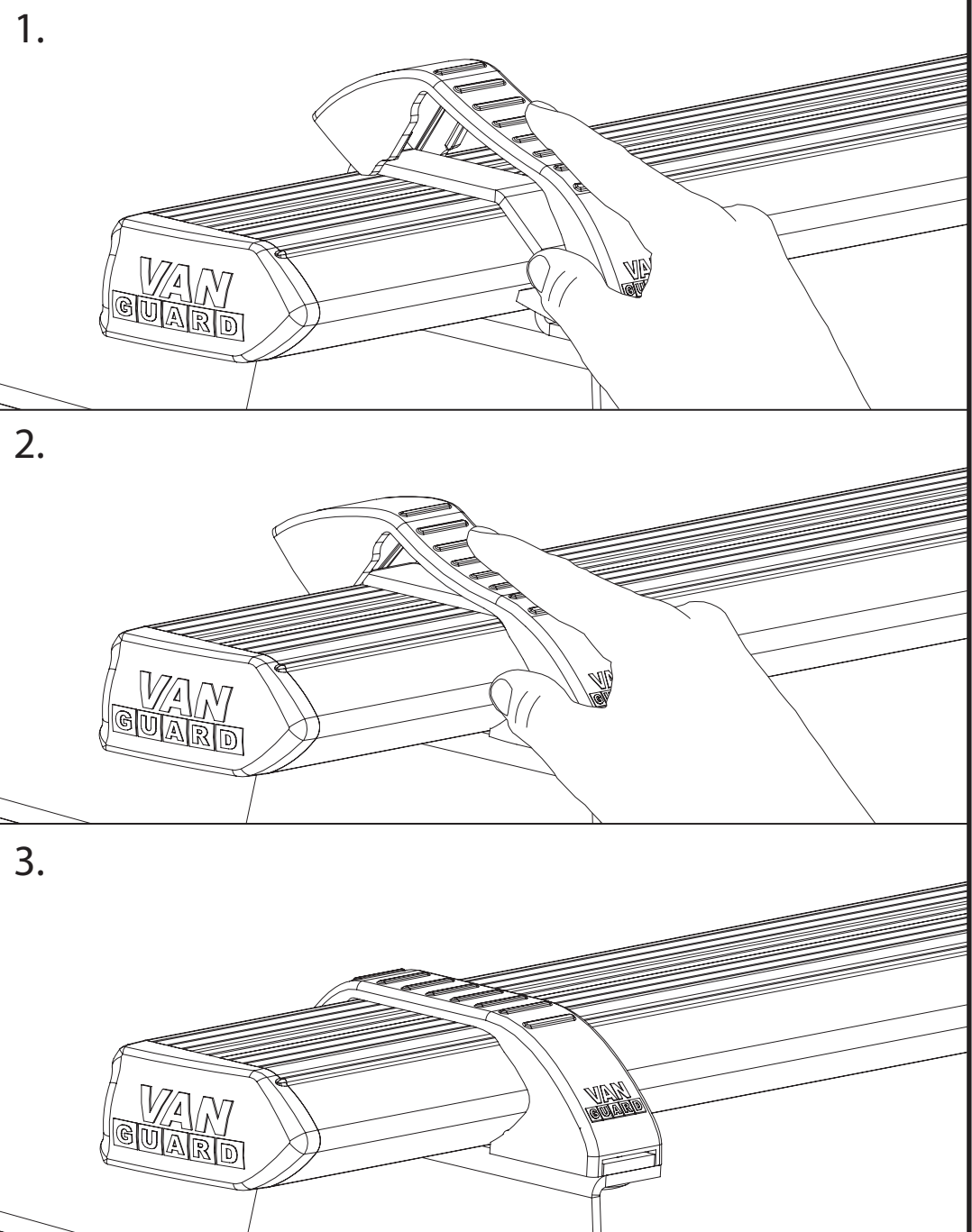


DEPENDENT ON THE SYSTEM YOU ARE FITTING POSITION THE BARS AS SHOWN

VG337-4-L3H1 / VG339-4-L2







EN - SAFETY AND PRODUCT INFORMATION
DE - SICHERHEITS- UND PRODUKTINFORMATIONEN
FR - INFORMATIONS DE SÉCURITÉ ET DU PRODUIT
NL - VEILIGHEIDS- EN PRODUCTINFORMATIE
ES - INFORMACIÓN DE SEGURIDAD Y DEL PRODUCTO
IT - INFORMAZIONI SULLA SICUREZZA E SUL PRODOTTO

SV - SÄKERHETS- OCH PRODUKTINFORMATION
DA - SIKKERHEDS- OG PRODUKTINFORMATION
NO - SIKKERHETS- OG PRODUKTINFORMASJON
PL - INFORMACJE O BEZPIECZENSTWIE I PRODUKCJE
CS - INFORMACE O BEZPEČNOSTI A PRODUKTU