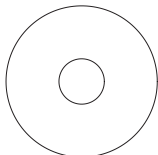
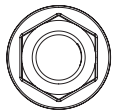
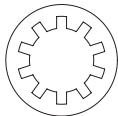
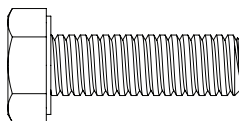
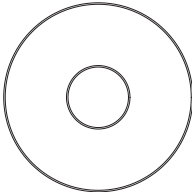
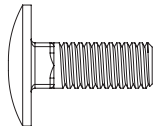
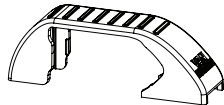
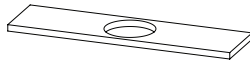
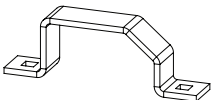
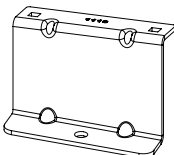
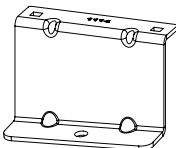
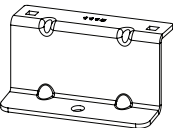
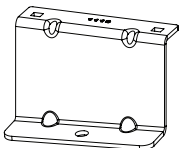
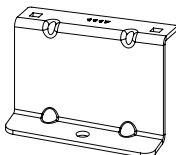


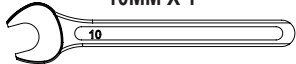
# IN8257

## ULTI Bars - X3

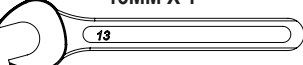
|   |   |  |  |  |  |   |   |
|---|---|--|--|--|--|---|---|
| <p><b>FX4014 X6</b><br/>(RUBBER)</p>  | <p><b>FX4016 X12</b><br/>(M6)</p>  | <p><b>FX4019 X6</b><br/>(M8)</p>  | <p><b>FX4028 X6</b><br/>(M8X25)</p>  | <p><b>FX4040 X6</b><br/>(M8)</p>  | <p><b>FX4042 X12</b><br/>(M6X16)</p>  | <p><b>MA6065 X6</b></p>  | <p><b>MA6092 X6</b></p>  |
| <p><b>ME0203 X6</b></p>               | <p><b>ME1113 X1</b></p>            | <p><b>ME1114 X1</b></p>           | <p><b>ME1115 X2</b></p>              | <p><b>ME1116 X1</b></p>           | <p><b>ME1117 X1</b></p>               |   |   |

**TOOLS REQUIRED**


10MM X 1




13MM X 1




TAPE MEASURE X 1



FLAT HEAD SCREWDRIVER X 1



**!**

EN - SAFETY AND PRODUCT INFORMATION  
 DE - SICHERHEITS- UND PRODUKTINFORMATIONEN  
 FR - INFORMATIONS DE SÉCURITÉ ET DU PRODUIT  
 NL - VEILIGHEIDS- EN PRODUCTINFORMATIE  
 ES - INFORMACIÓN DE SEGURIDAD Y DEL PRODUCTO  
 IT - INFORMAZIONI SULLA SICUREZZA E SUL PRODOTTO


SV - SÄKERHETS- OCH PRODUKTINFORMATION  
 DA - SIKKERHEDS- OG PRODUKTINFORMATION  
 NO - SIKKERHETS- OG PRODUKTINFORMASJON  
 PL - INFORMACJE O BEZPIECZENSTWIE I PRODUKCIE  
 CS - INFORMACE O BEZPEČNOSTI A PRODUKTU

**? !**

**Customercare@van-guard.co.uk**  
**UK +44 (0) 1392 368 351**

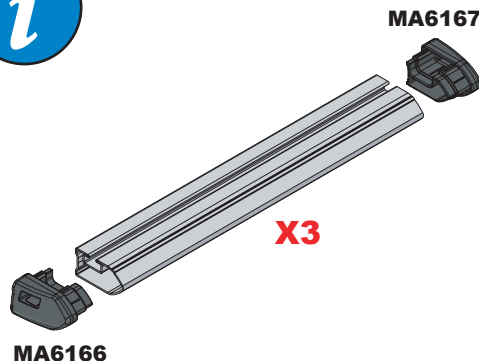
**i**

**MA6167**



**MA6166**

**ULTI Bar Trade**  
(Steel)



**ULTI Bar+**  
(Aluminium)

This FITTING INSTRUCTION is the property of VAN GUARD ACCESSORIES LTD. and must not be used for manufacturing purposes, copied nor communicated in any way to third parties without written permission from VAN GUARD ACCESSORIES LTD.

IN8257\_F (CN:00183)

Van Guard Accessories Ltd  
 Fair Oak Close, Exeter Airport Business Park,  
 Exeter, Devon, EX5 2UL  
[www.van-guard.co.uk](http://www.van-guard.co.uk)

### 338-3

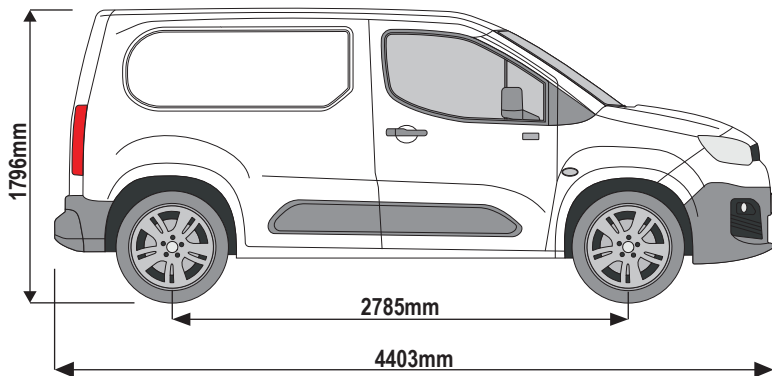
**Vehicle:**

Citroen Berlingo: 2019 on  
 Peugeot Partner: 2019 on  
 Vauxhall Combo: 2019 on

**Wheel Base:** L1

**Roof Height:** H1

**Rear Doors:** Twin



|                          |               |
|--------------------------|---------------|
| ULTI Bar Trade (Steel) = | <b>11.3KG</b> |
| ULTI Bar+ (Aluminium) =  | <b>7.4KG</b>  |

### 338-3

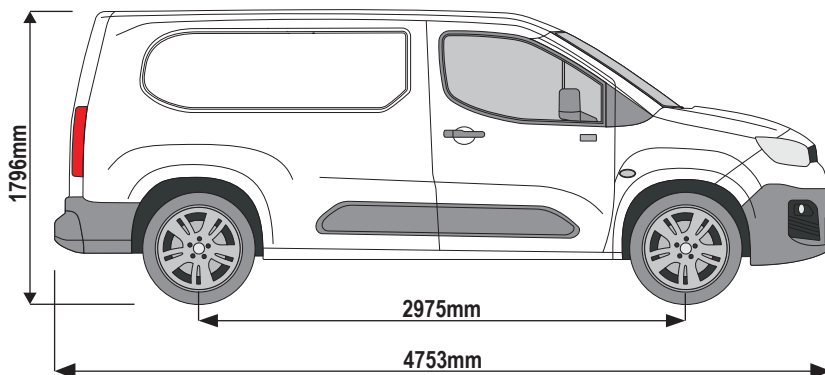
**Vehicle:**

Citroen Berlingo: 2019 on  
 Peugeot Partner: 2019 on  
 Vauxhall Combo: 2019 on

**Wheel Base:** L2

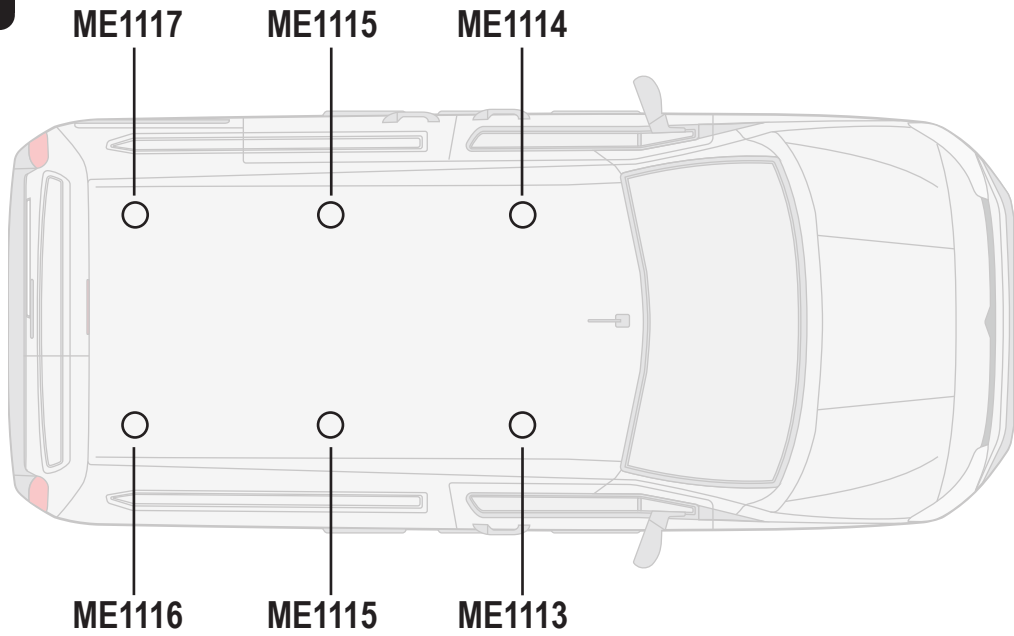
**Roof Height:** H1

**Rear Doors:** Twin

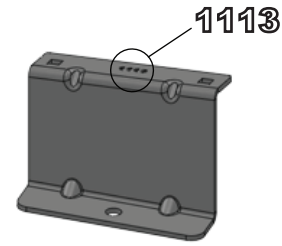


|                          |               |
|--------------------------|---------------|
| ULTI Bar Trade (Steel) = | <b>11.3KG</b> |
| ULTI Bar+ (Aluminium) =  | <b>7.4KG</b>  |

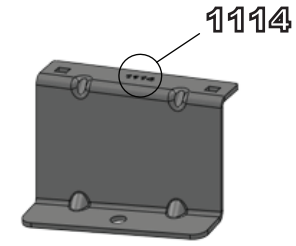
1



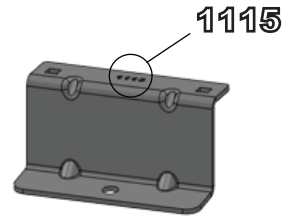
ME1113



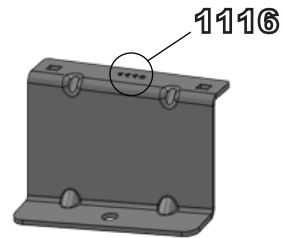
ME1114



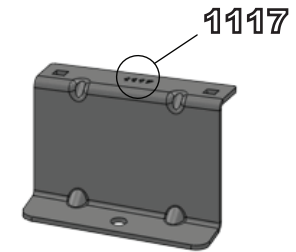
ME1115



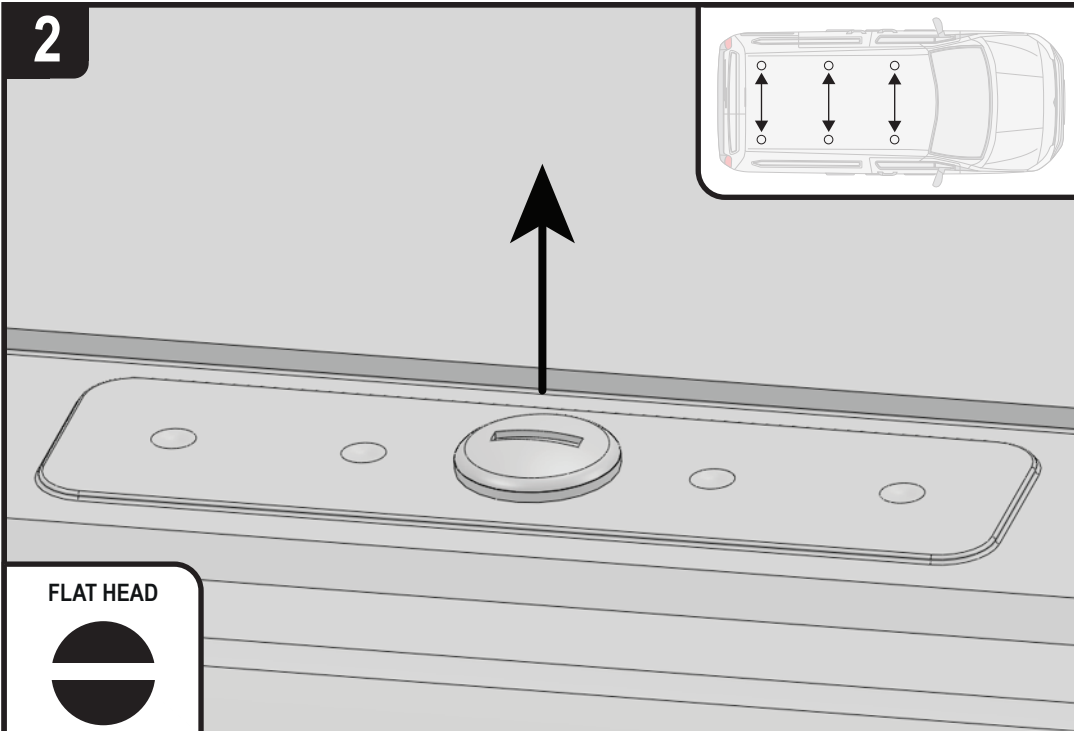
ME1116



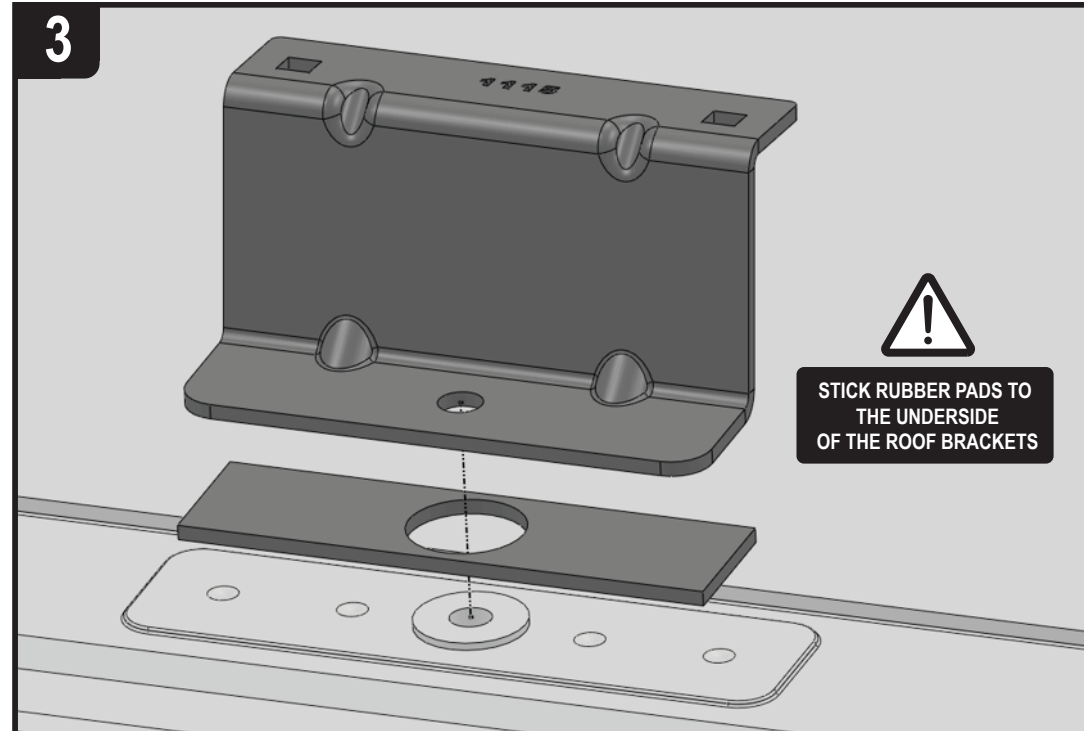
ME1117



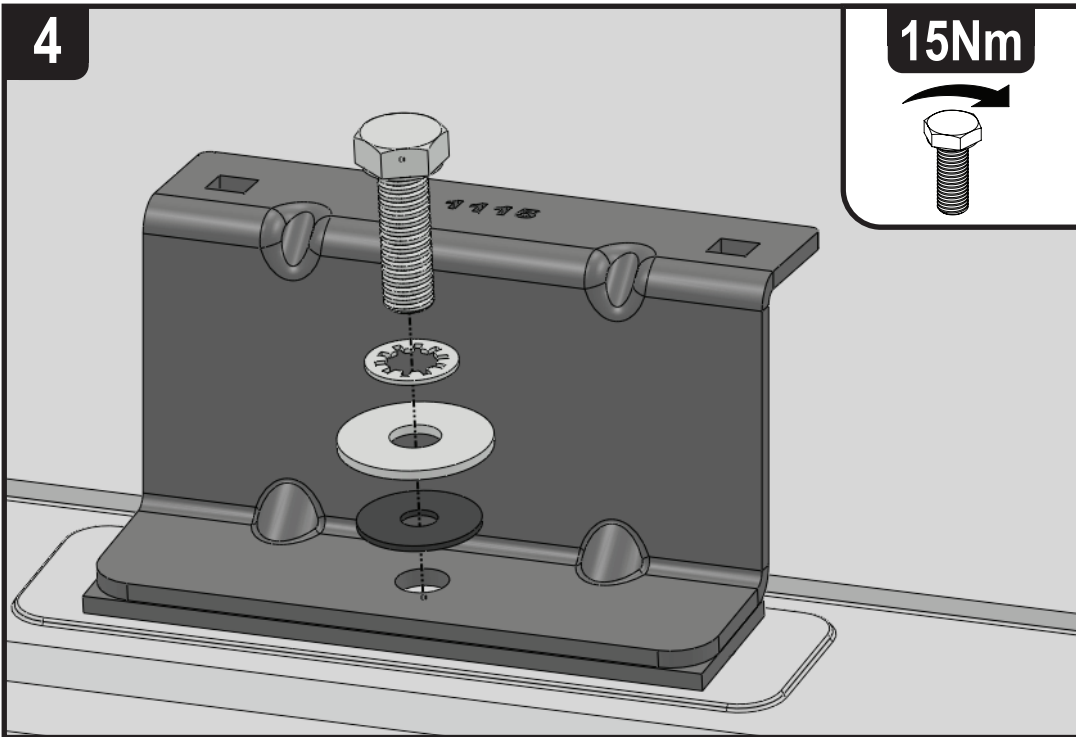
2



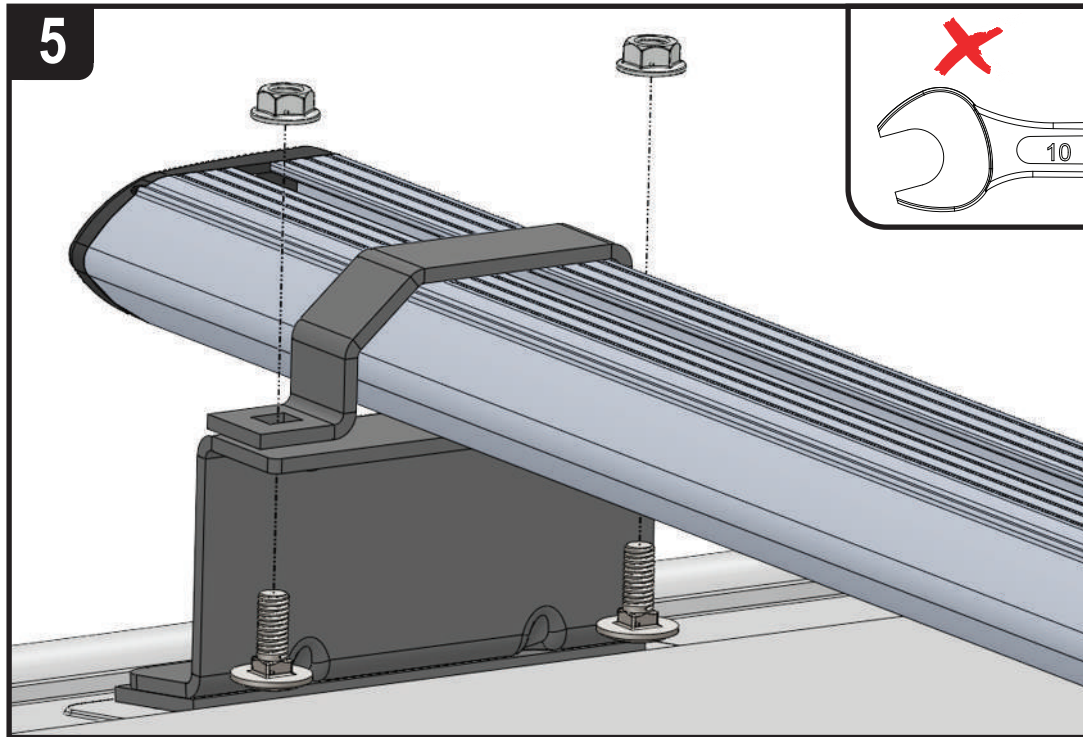
3



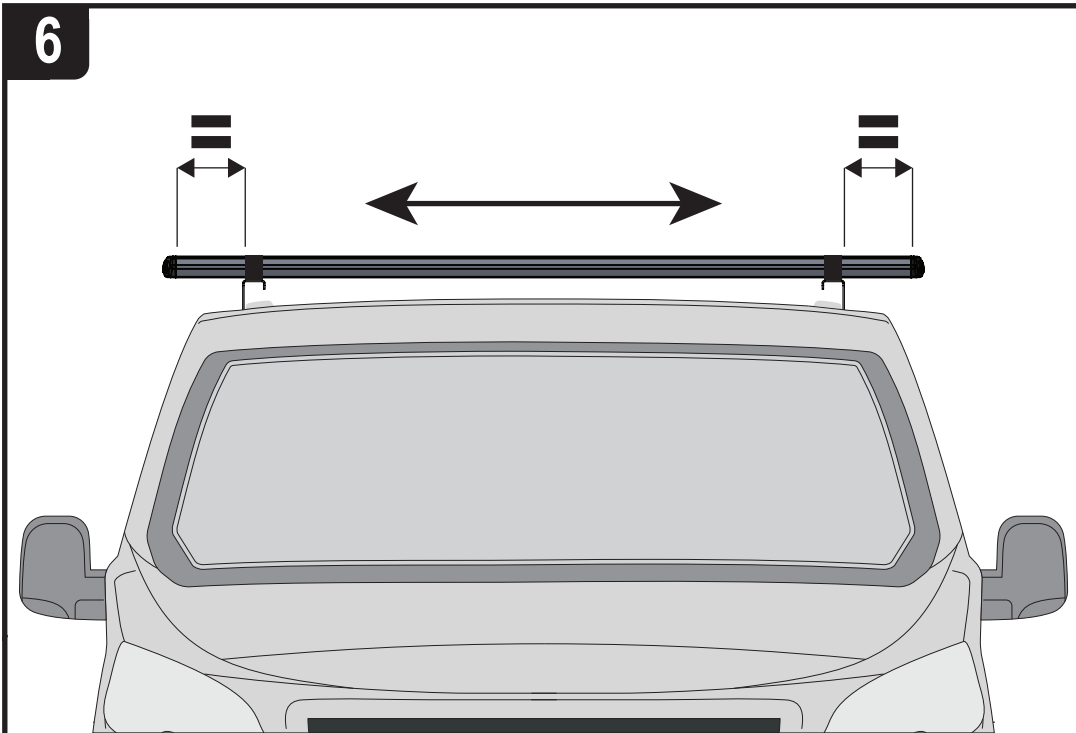
4



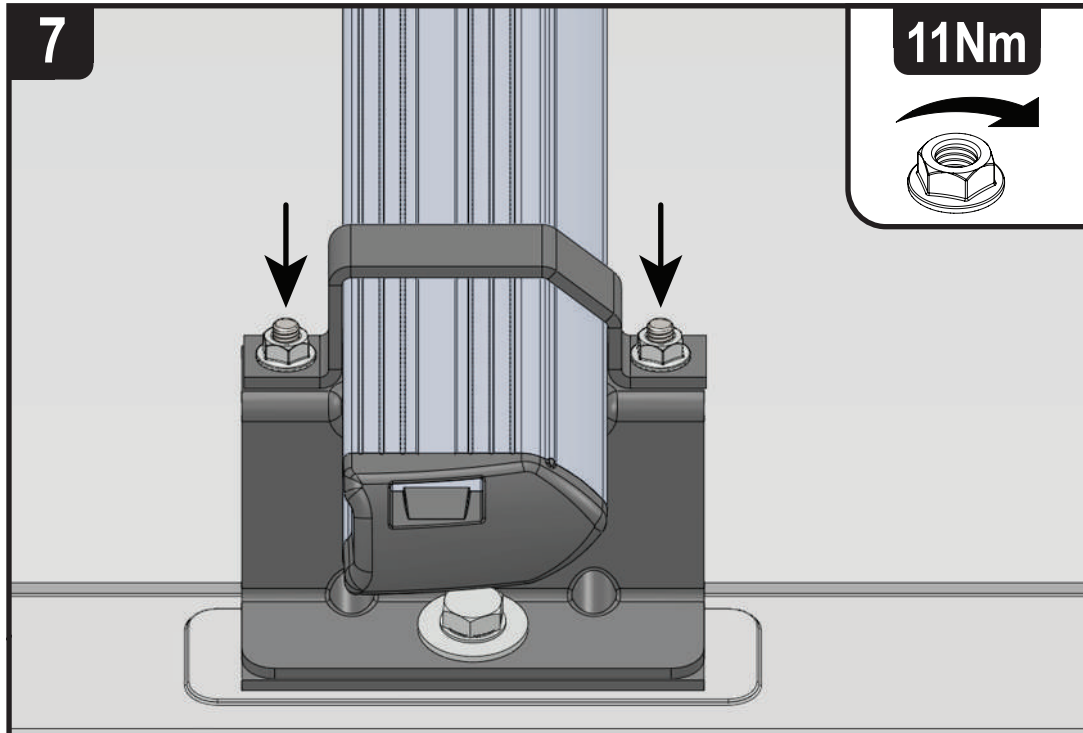
5

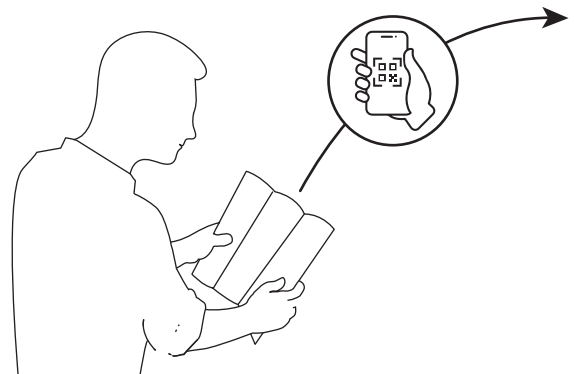
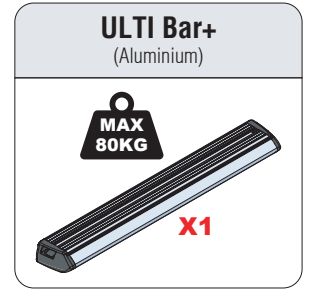
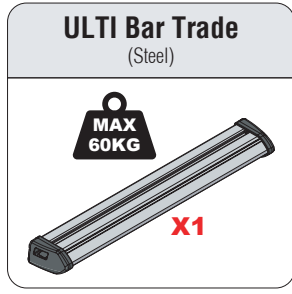
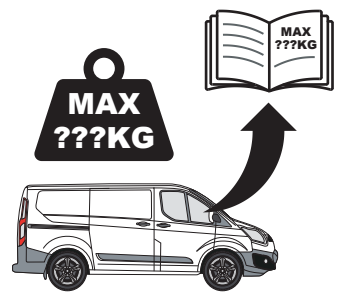
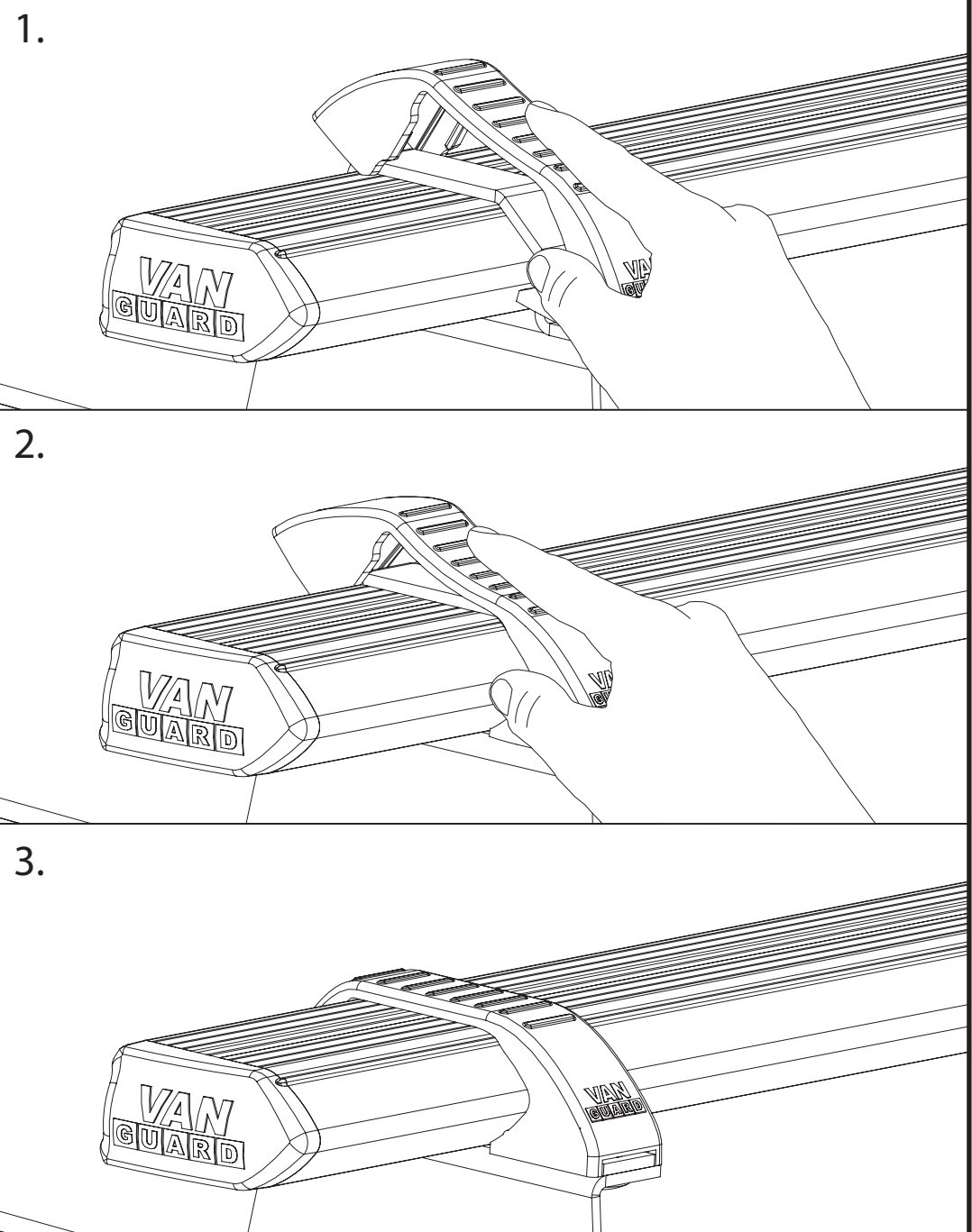


6



7





**EN** - SAFETY AND PRODUCT INFORMATION  
**DE** - SICHERHEITS- UND PRODUKTINFORMATIONEN  
**FR** - INFORMATIONS DE SÉCURITÉ ET DU PRODUIT  
**NL** - VEILIGHEIDS- EN PRODUCTINFORMATIE  
**ES** - INFORMACIÓN DE SEGURIDAD Y DEL PRODUCTO  
**IT** - INFORMAZIONI SULLA SICUREZZA E SUL PRODOTTO

**SV** - SÄKERHETS- OCH PRODUKTINFORMATION  
**DA** - SIKKERHEDS- OG PRODUKTINFORMATION  
**NO** - SIKKERHETS- OG PRODUKTINFORMASJON  
**PL** - INFORMACJE O BEZPIECZENSTWIE I PRODUKCJE  
**CS** - INFORMACE O BEZPEČNOSTI A PRODUKTU