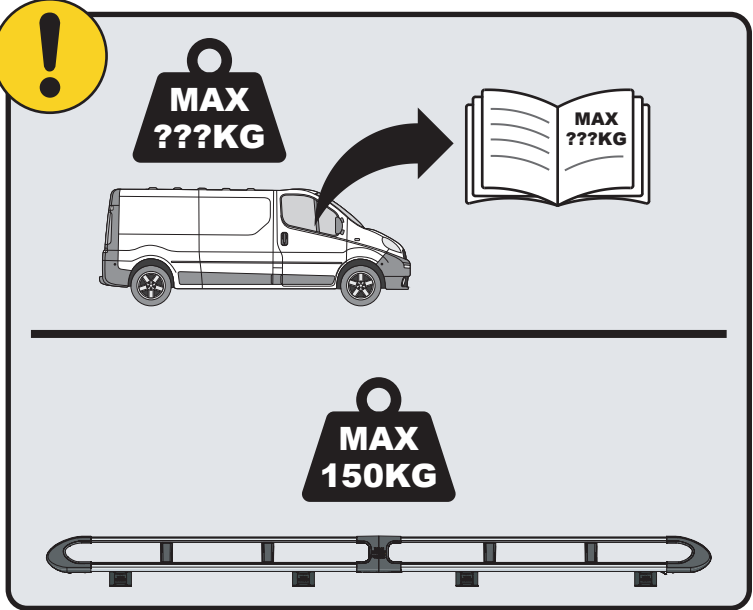
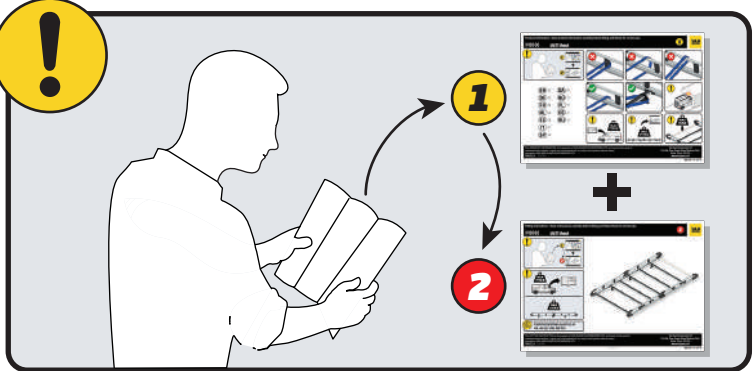


IN8275

ULTI Rack+



 Customercare@van-guard.co.uk
UK +44 (0) 1392 368 351



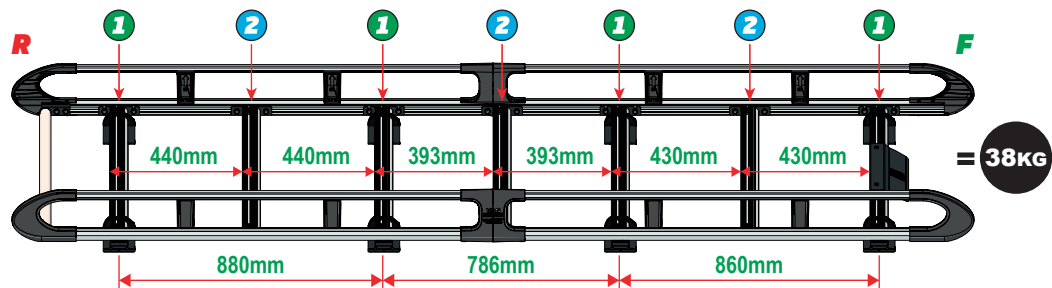
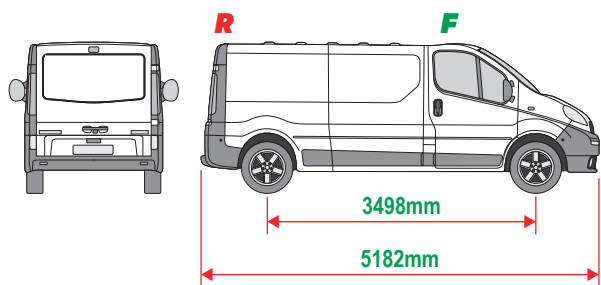
This FITTING INSTRUCTION is the property of VAN GUARD ACCESSORIES LTD. and must not be used for manufacturing purposes, copied nor communicated in any way to third parties without written permission from VAN GUARD ACCESSORIES LTD.
IN8275_A (CN:NR)

Van Guard Accessories Ltd
Fair Oak Close, Exeter Airport Business Park,
Exeter, Devon, EX5 2UL
www.van-guard.co.uk

THIS INSTRUCTION COVERS THE FOLLOWING MODELS - CHECK YOU ARE FITTING THE CORRECT MODEL BEFORE PROCEEDING

VGUR-204

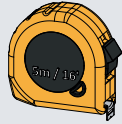
Nissan Primastar: 2002-2014
Renault Trafic: 2002-2014
Vauxhall Vivaro: 2002-2014
L2H1 (LWB)
Tailgate



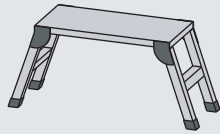
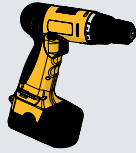
SUPPLIED COMPONENTS - CHECK ALL PARTS ARE PRESENT AND CORRECT BEFORE PROCEEDING (1 OF 2)

TOOLS REQUIRED

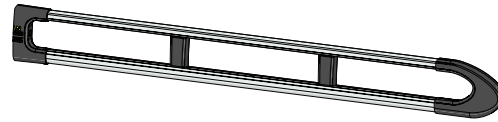
10MM X1



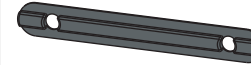
13MM X1



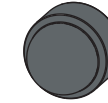
AS3541 X2
(3000 / A)



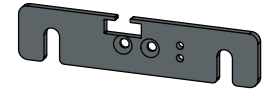
MA6118 X14



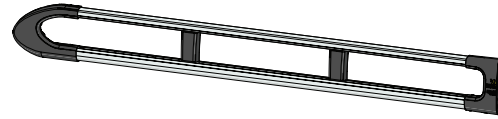
FX4241 X32



ME1622 X3



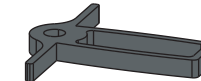
AS3540 X2
(3000 / B)



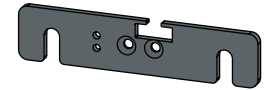
FX4008 X1



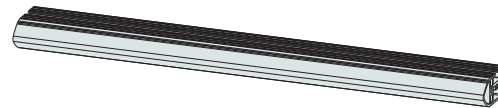
MA6145 X1



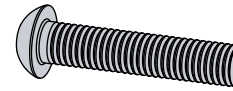
ME1623 X3



ME1628 X7
(1554mm)



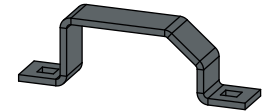
FX4001 X2
(M8X40)



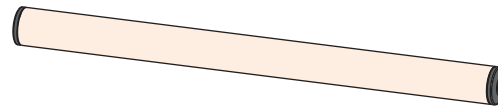
FX4235 X28
(M5X25)



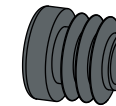
ME0203 X8



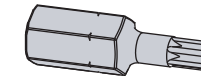
AS3160 X1
(1540mm)



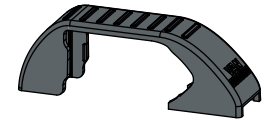
MA6007 X4



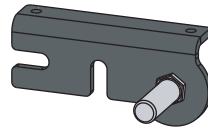
FX4248 X1
(T25)



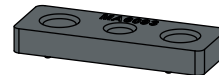
MA6065 X8



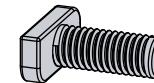
AS3590 X1



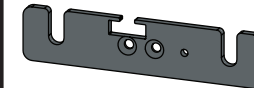
MA6093 X16



FX4239 X32
(M8X20)



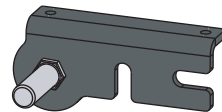
ME1620 X4



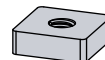
FX4016 X26
(M6)



AS3591 X1



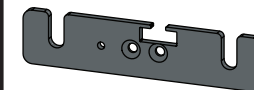
ME0316 X16



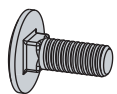
FX4240 X32
(M8)



ME1621 X4



FX4042 X26
(M6X16)



SUPPLIED COMPONENTS - CHECK ALL PARTS ARE PRESENT AND CORRECT BEFORE PROCEEDING (2 OF 2)

ME0355 X1

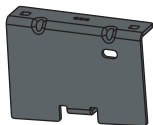


FX4017 X16

(M6)

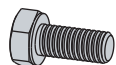


ME0690 X1

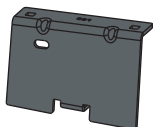


FX4061 X2

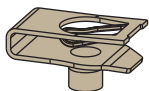
(M6X14)



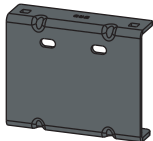
ME0691 X1



FX4126 X14



ME0692 X6



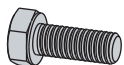
FX4010 X16

(M6)



FX4012 X14

(M6X16)



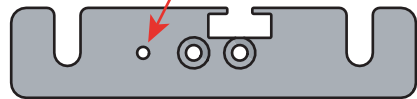
01

1L



X4

1R



X4



2L

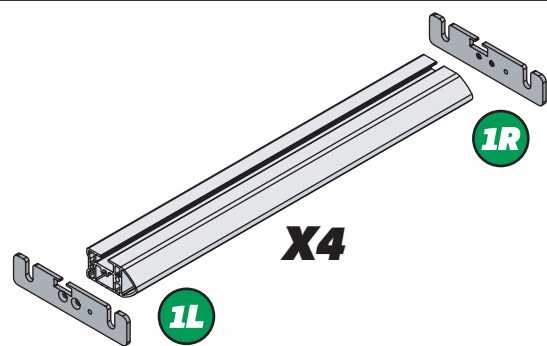


X3

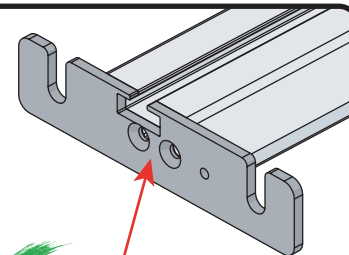
2R



X3



02



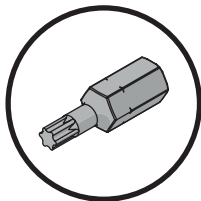
03

01

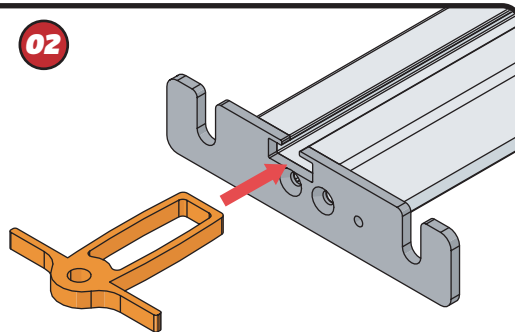
FX4248



+



02



04



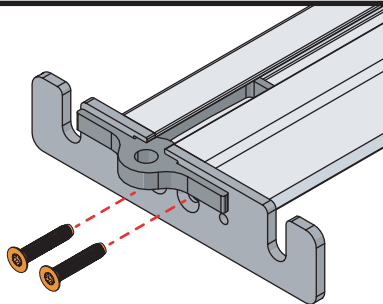
1

X4

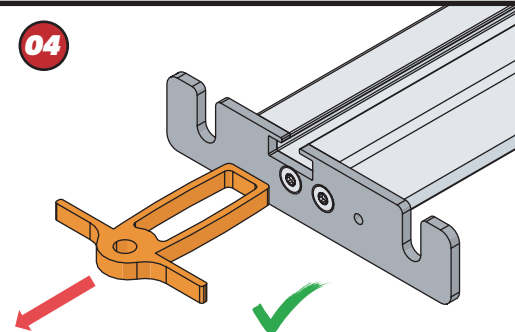
2

X3

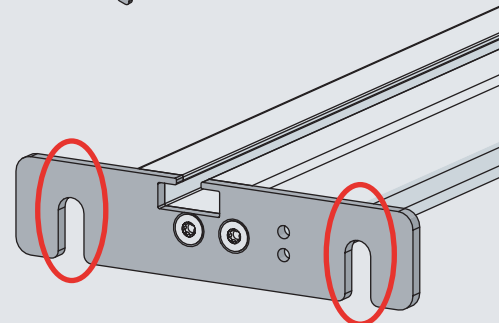
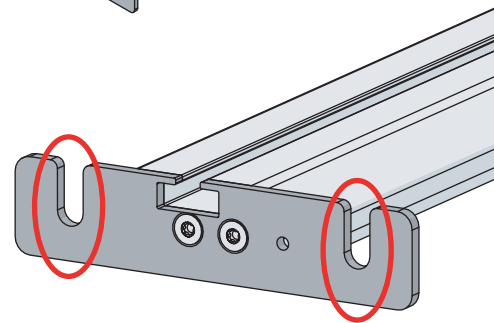
03



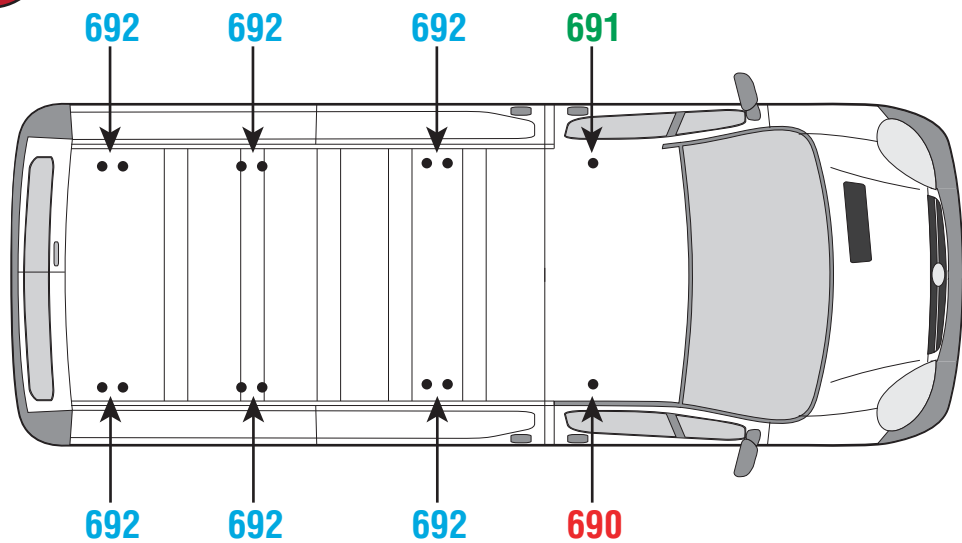
04



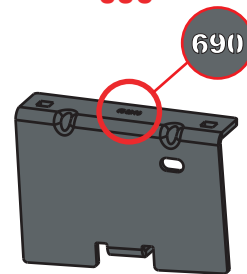
11Nm



05

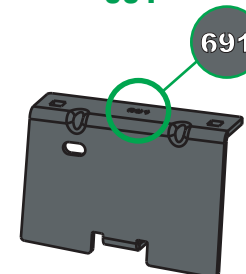


690



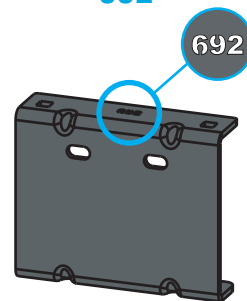
690

691



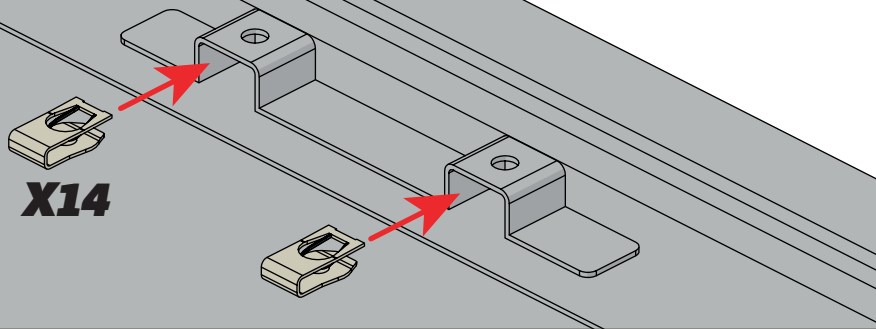
691

692



692

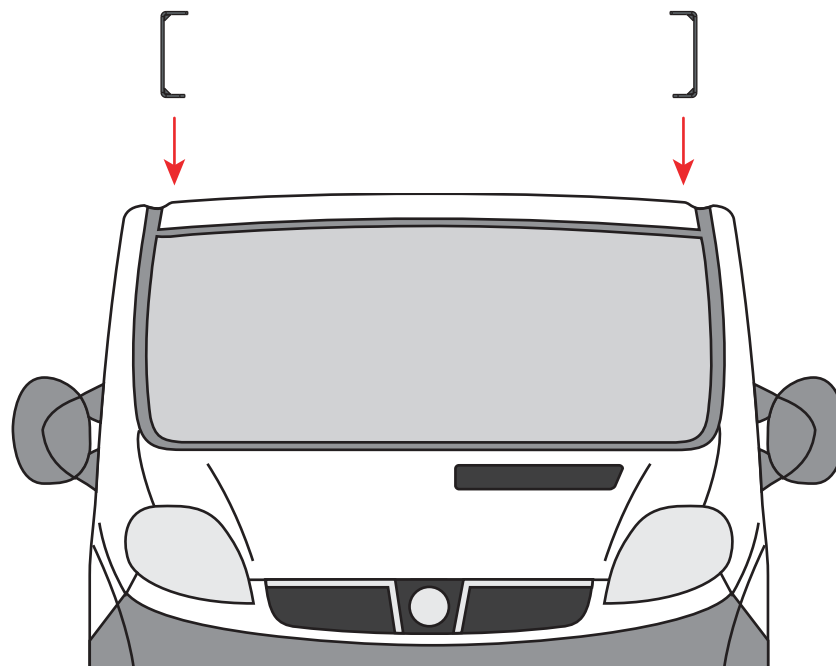
06



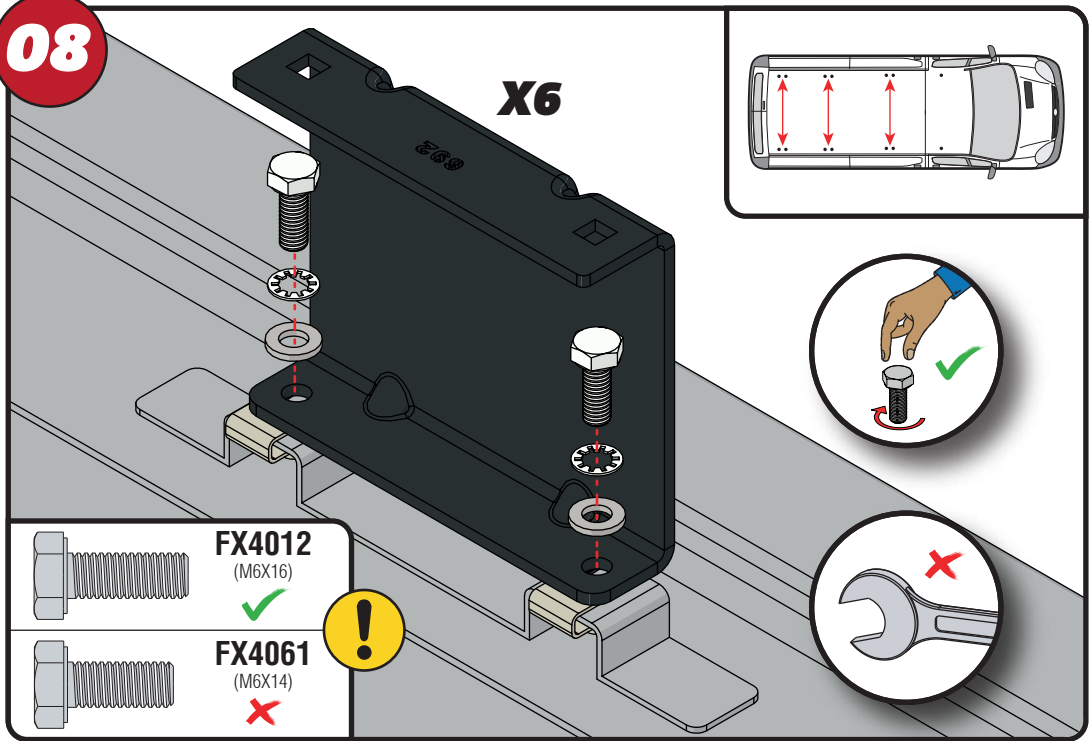
X14



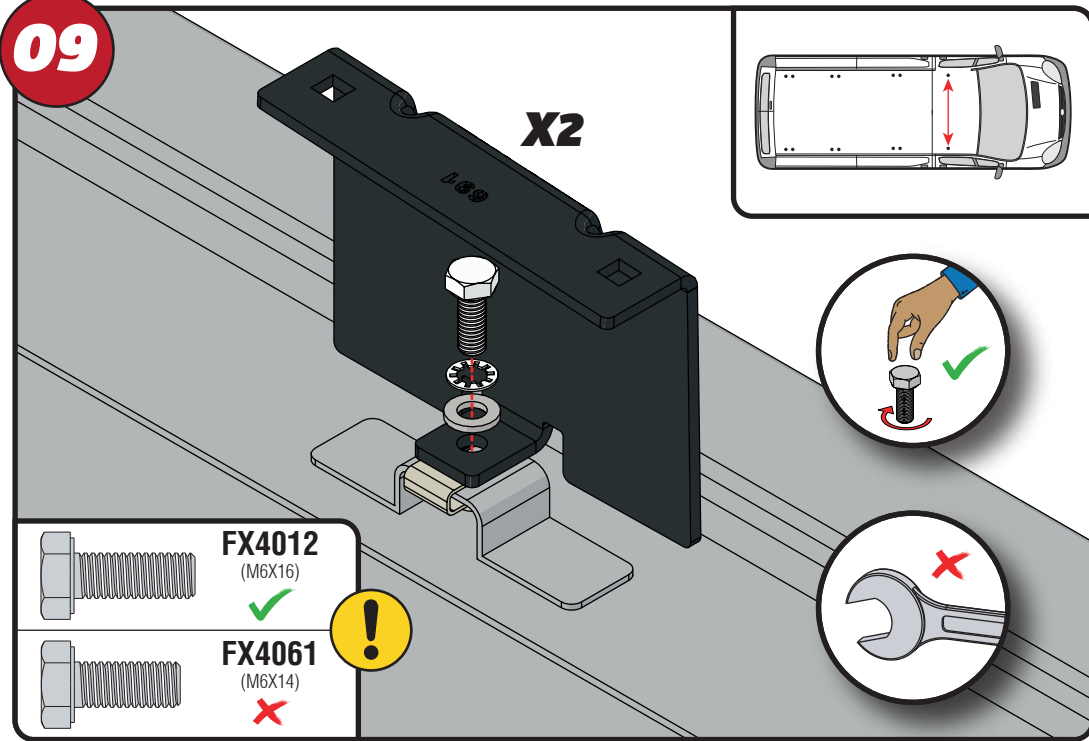
07



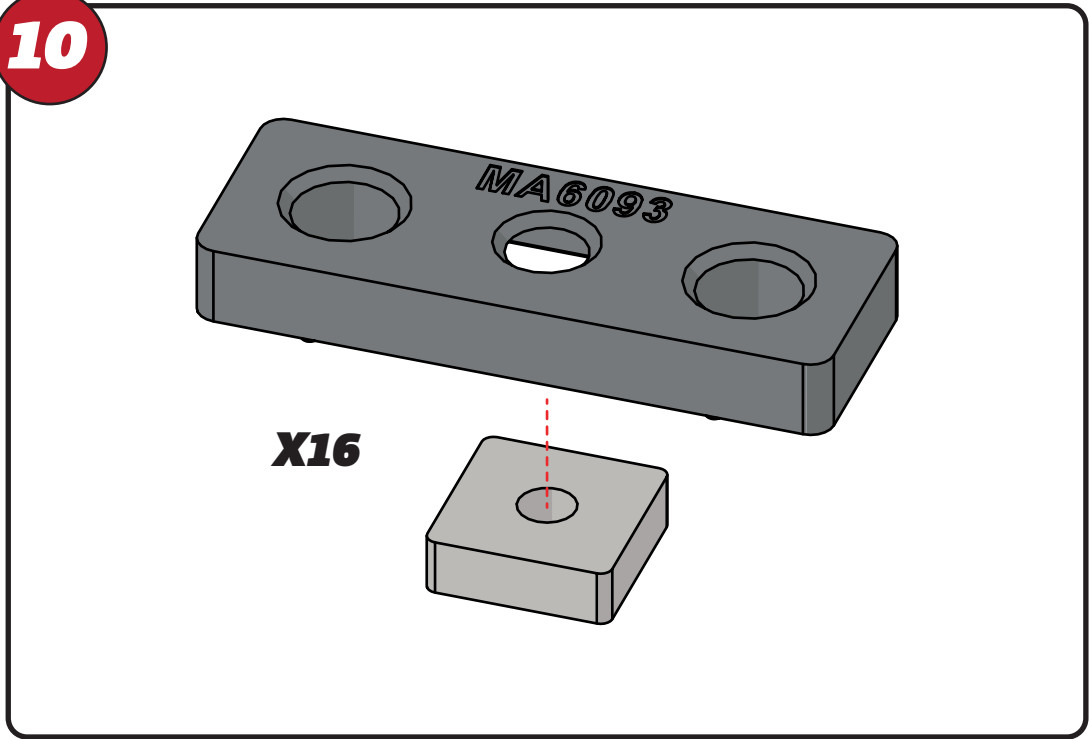
08



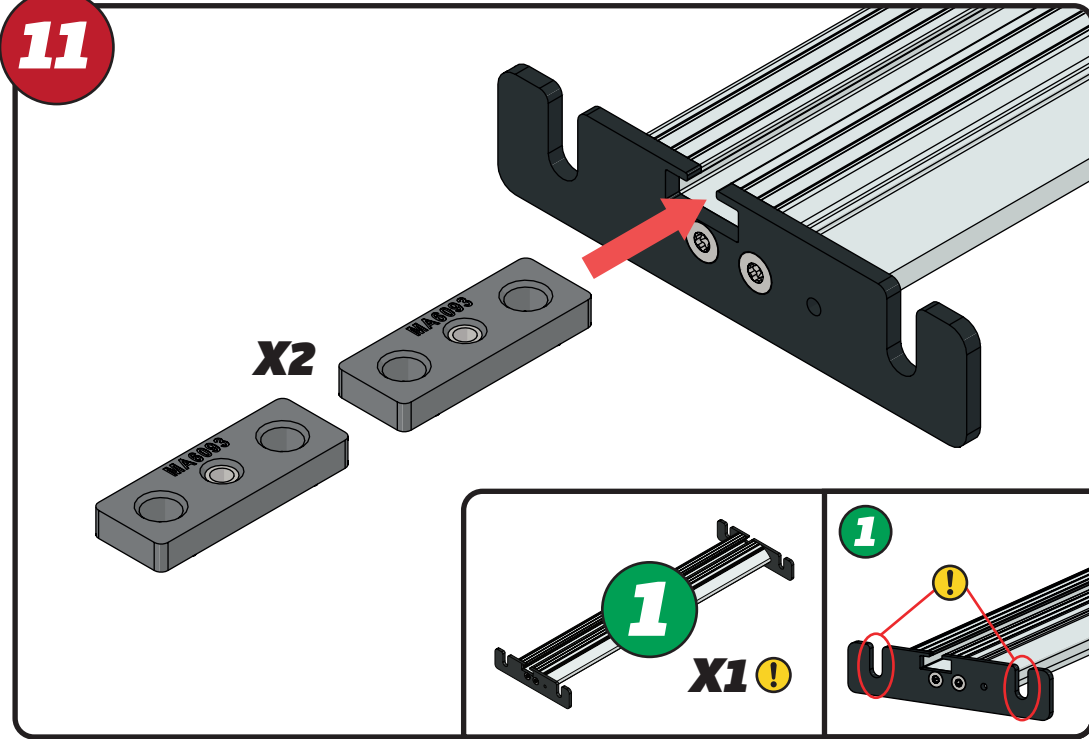
09

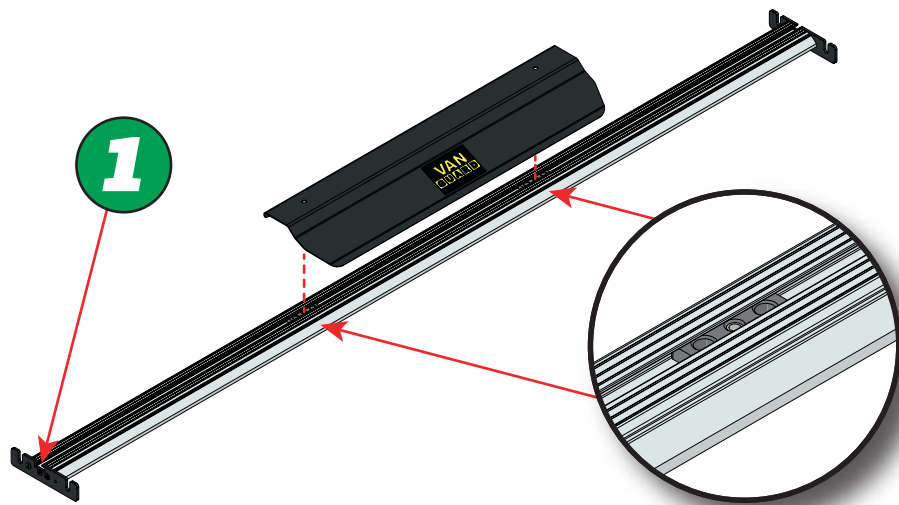
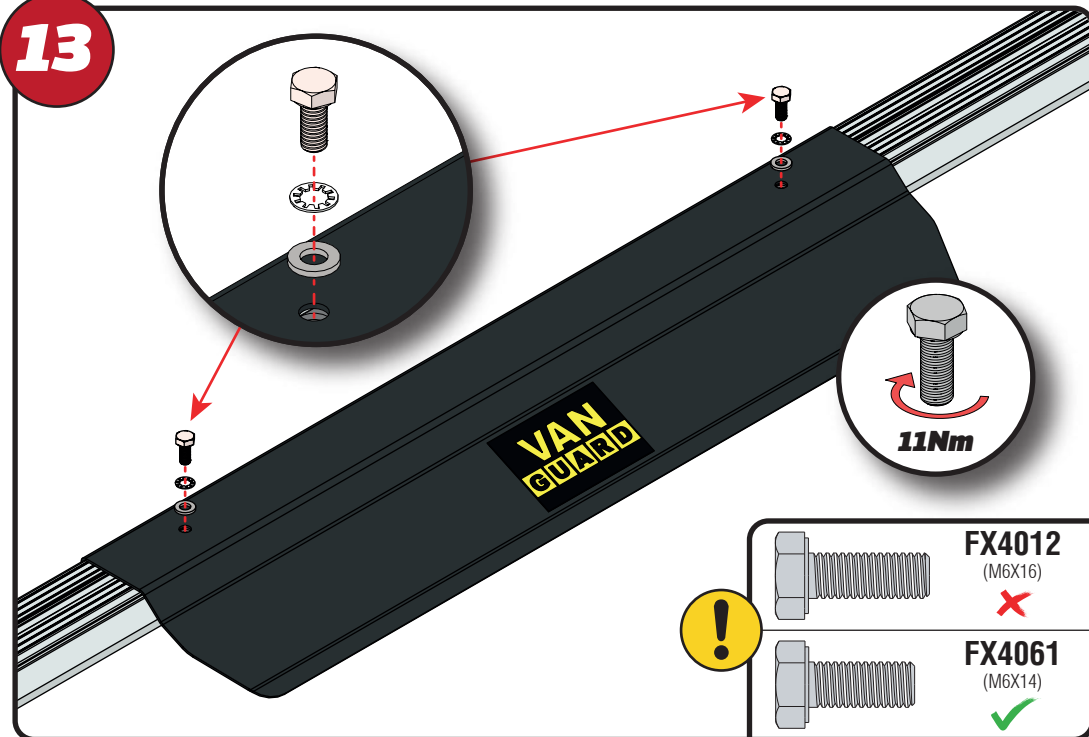


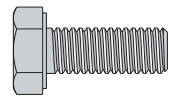
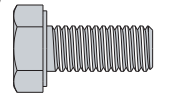
10

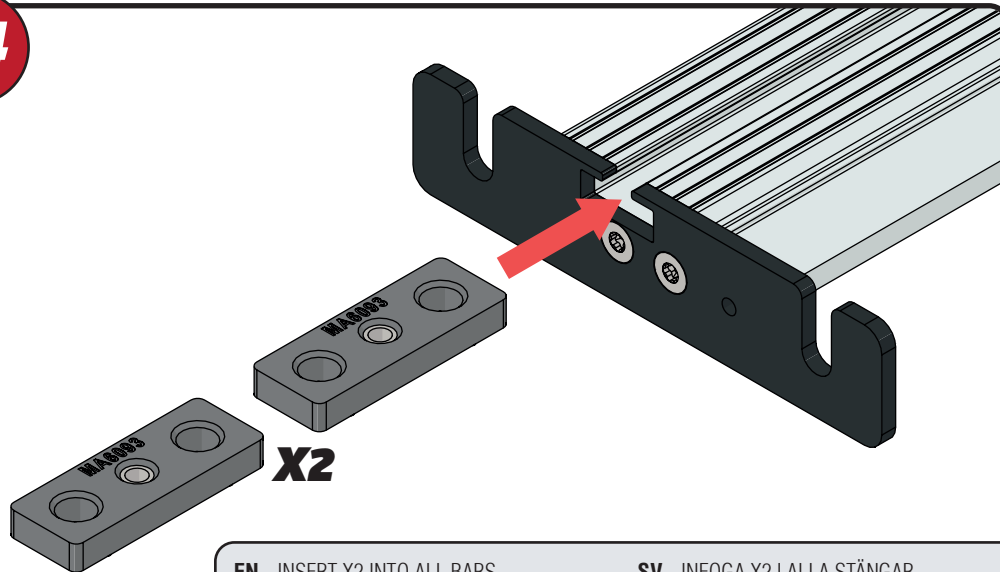


11

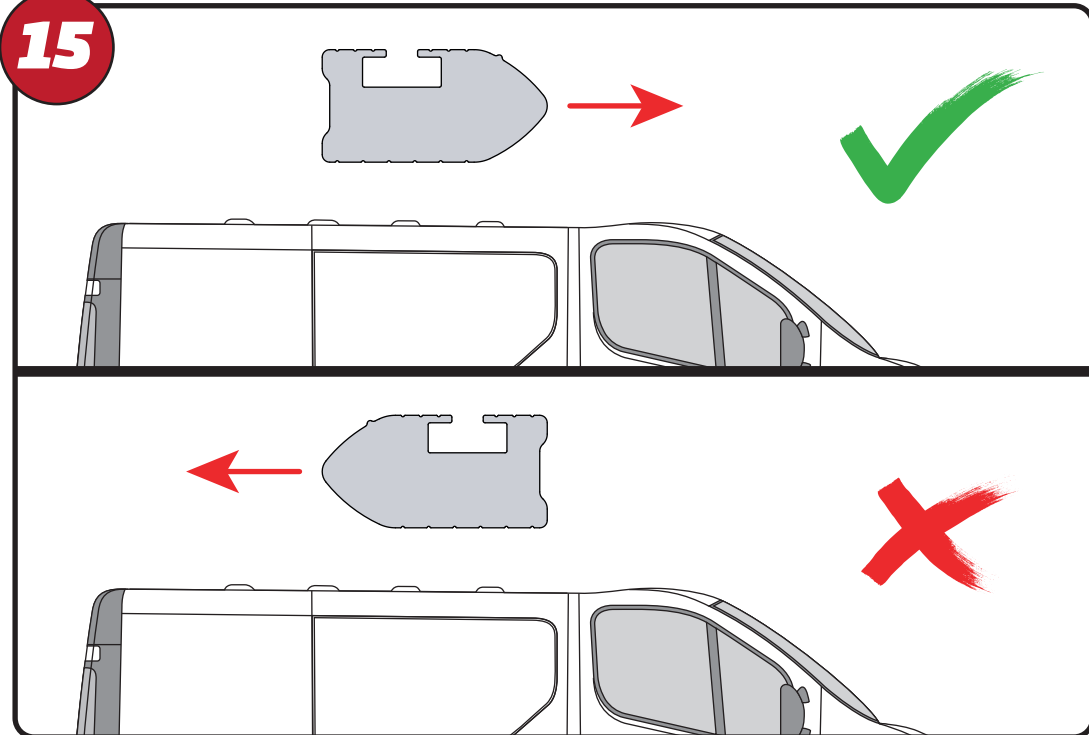


12**13**

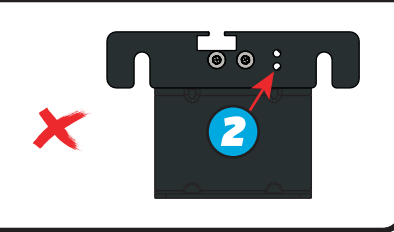
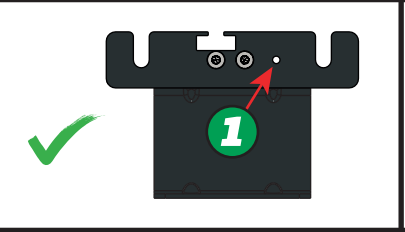
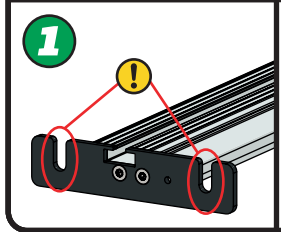
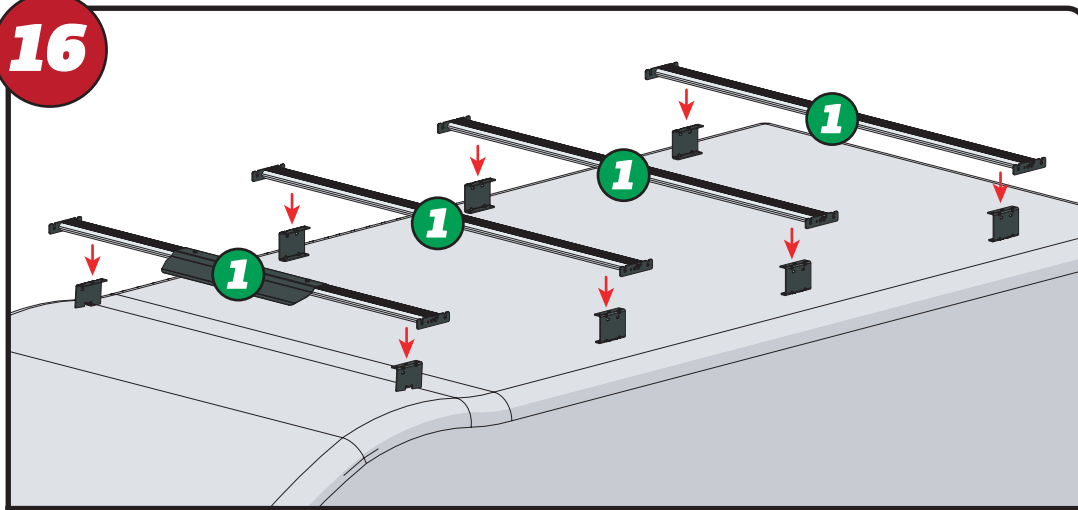
	FX4012 (M6X16)	X
	FX4061 (M6X14)	✓

14

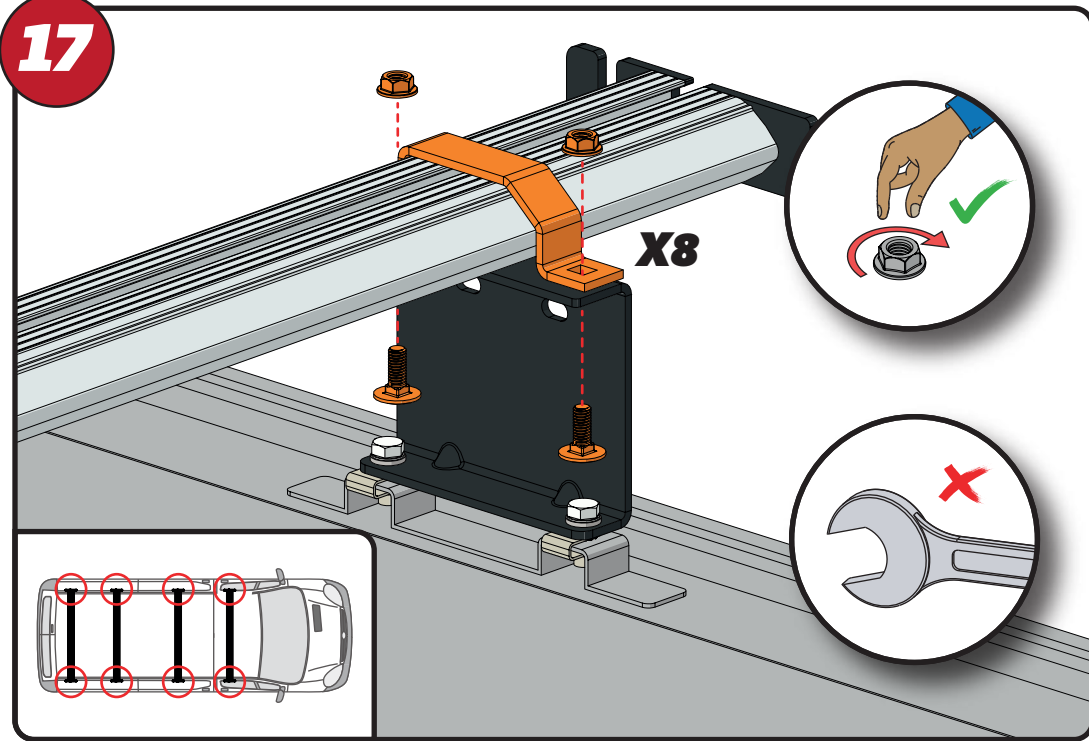
EN - INSERT X2 INTO ALL BARS	SV - INFOGA X2 I ALLA STÄNGAR
DE - X2 IN ALLE STANGEN EINFÜGEN	DA - INDSÆT X2 I ALLE STÆNGER
FR - INSÉRER X2 DANS TOUTES LES BARRES	NO - SETT X2 INN I ALLE TAKSTENGER
NL - PLAATS X2 IN ALLE BARS	PL - WSTAW X2 DO WSZYSTKICH PRĘTÓW
ES - INSERTAR X2 EN TODAS LAS BARRAS	CS - VLOŽTE X2 DO VŠECH TYČÍ
IT - INSERIRE X2 IN TUTTE LE BARRE	

15

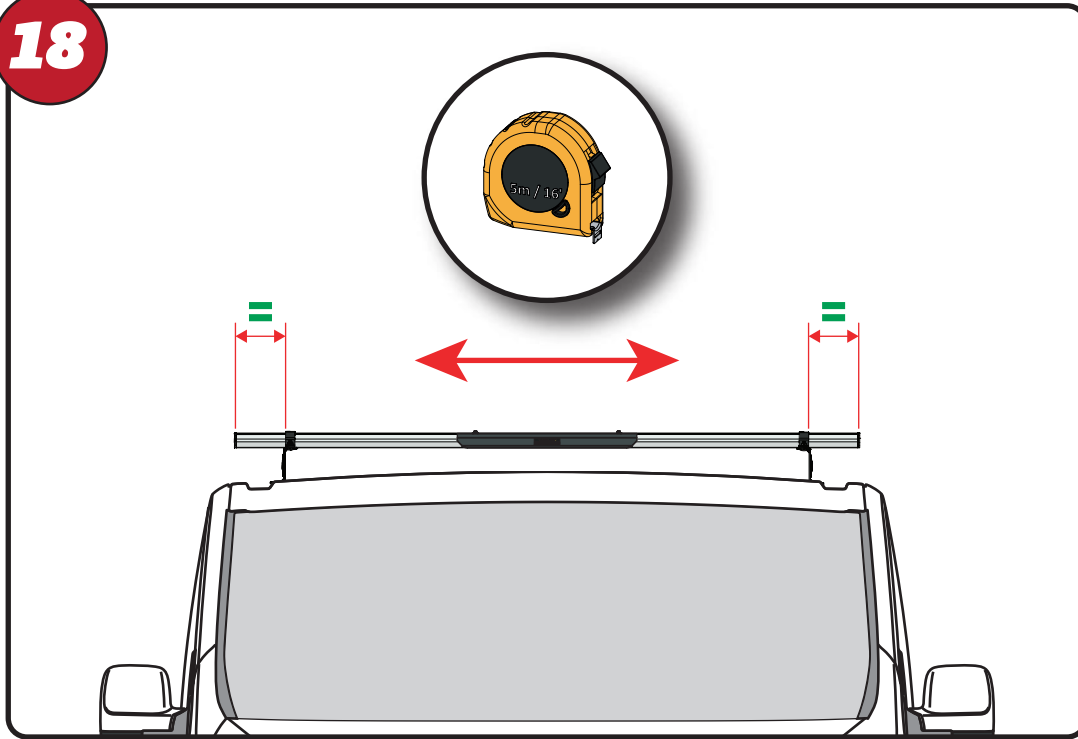
16



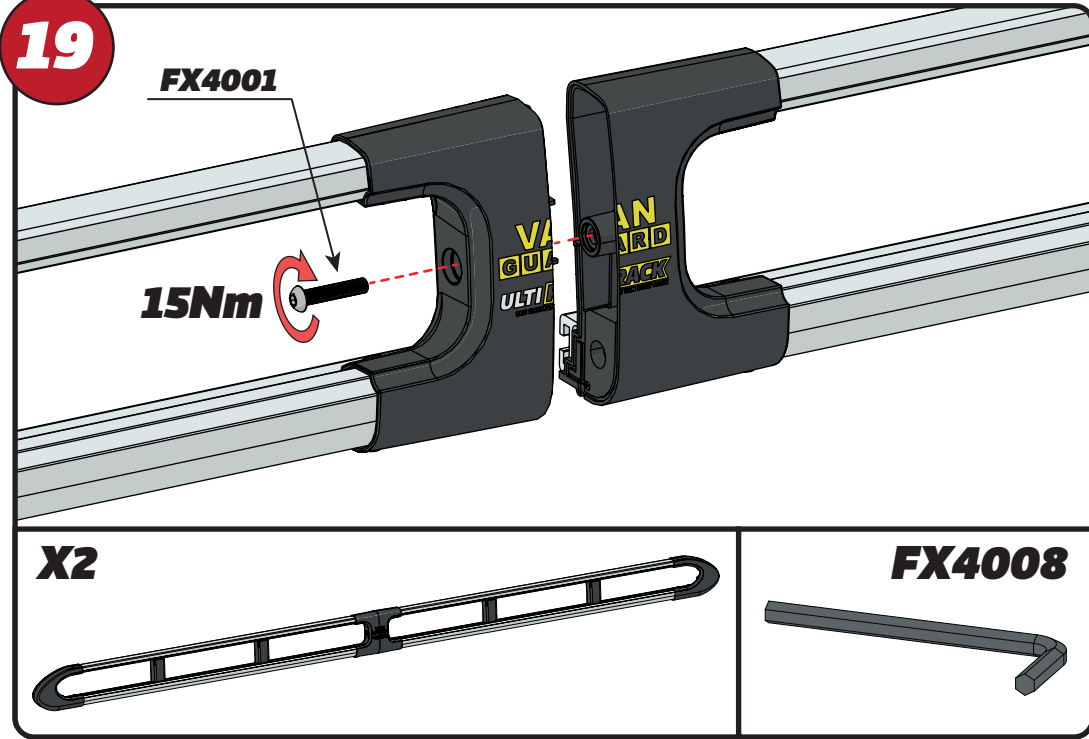
17



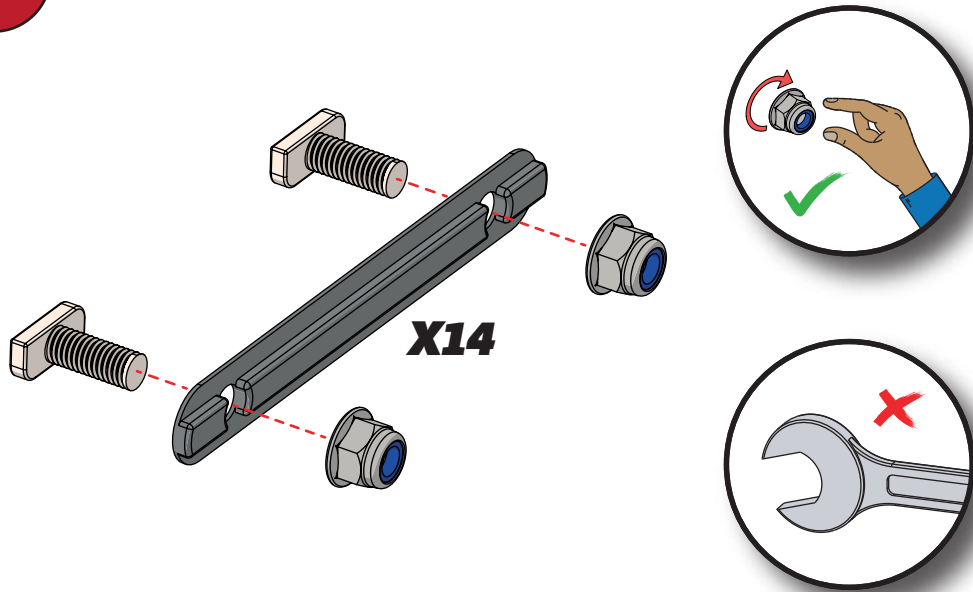
18



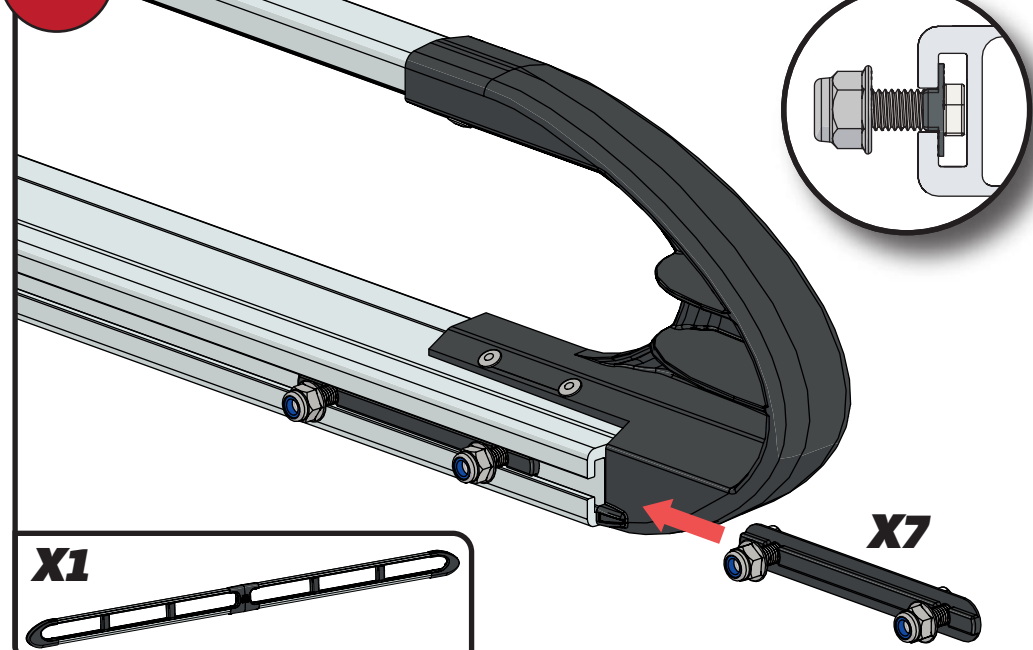
19



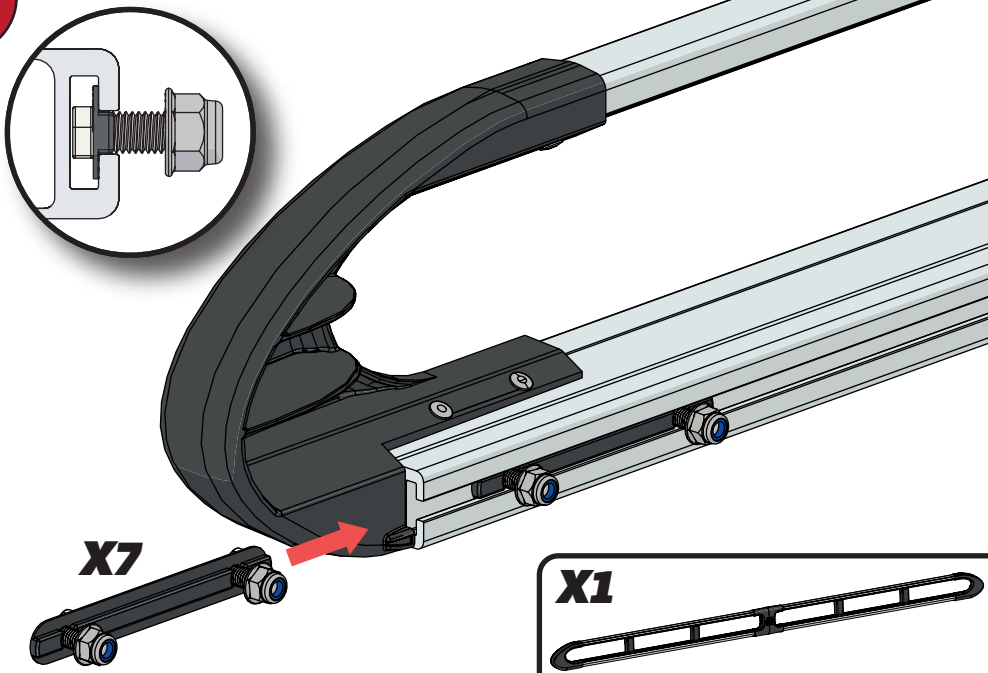
20



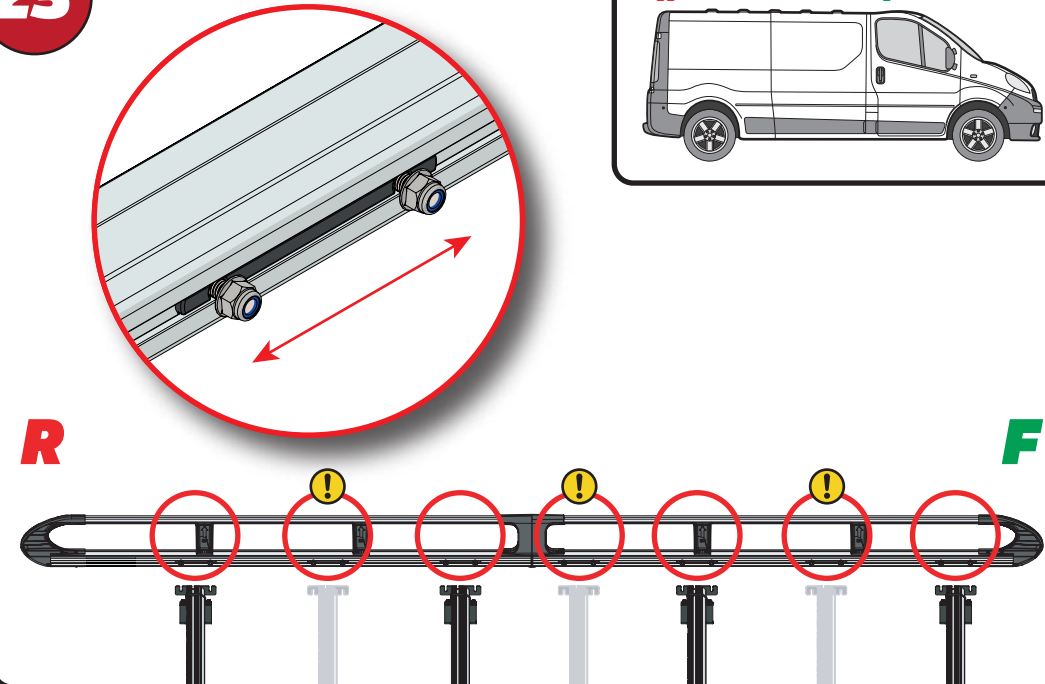
21



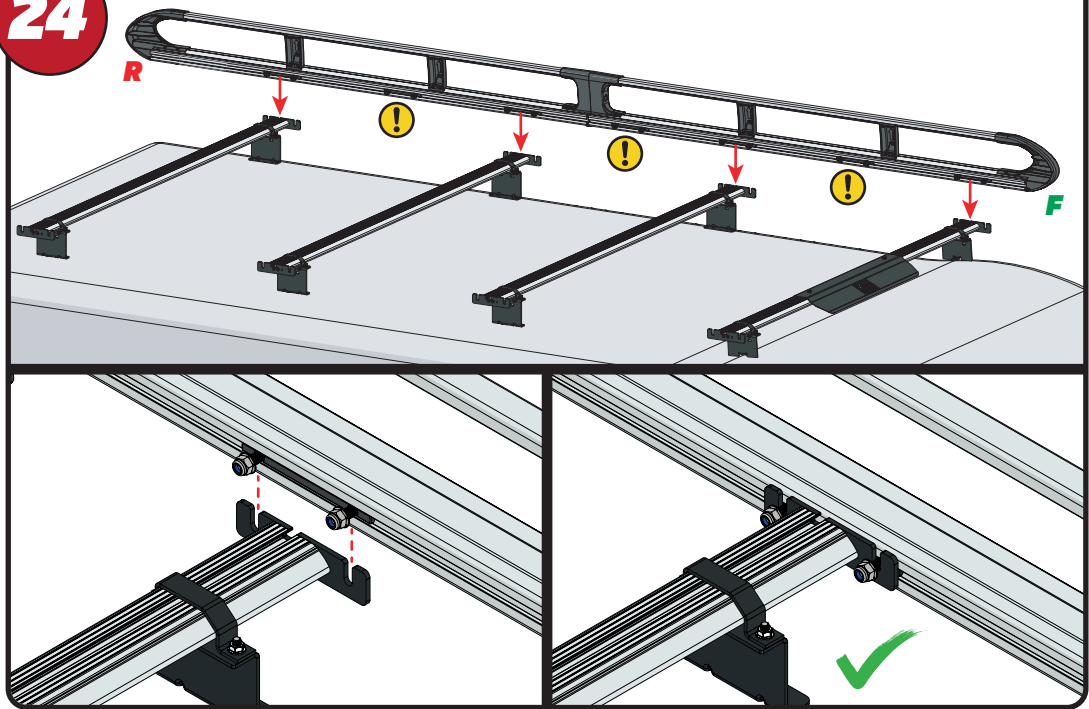
22



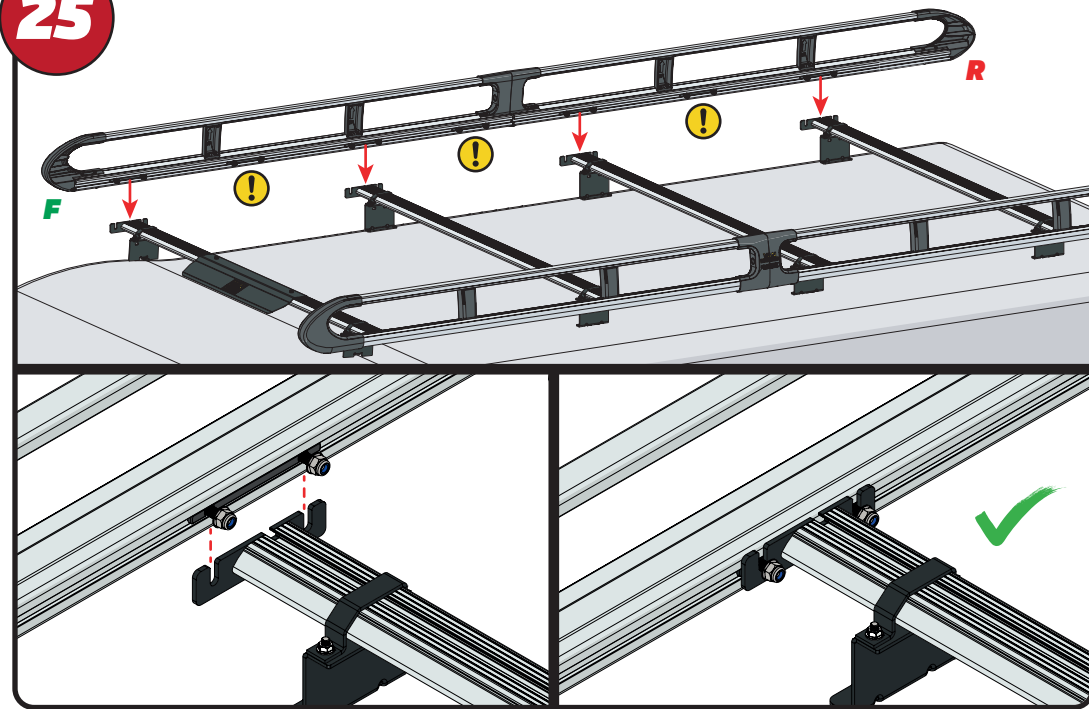
23



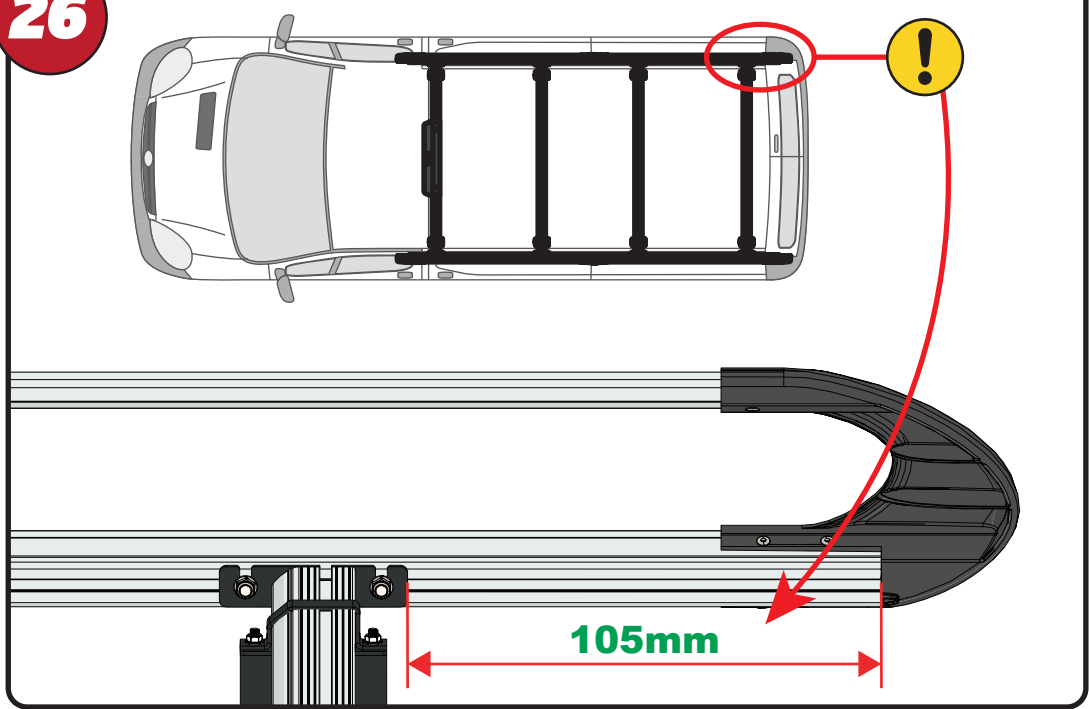
24



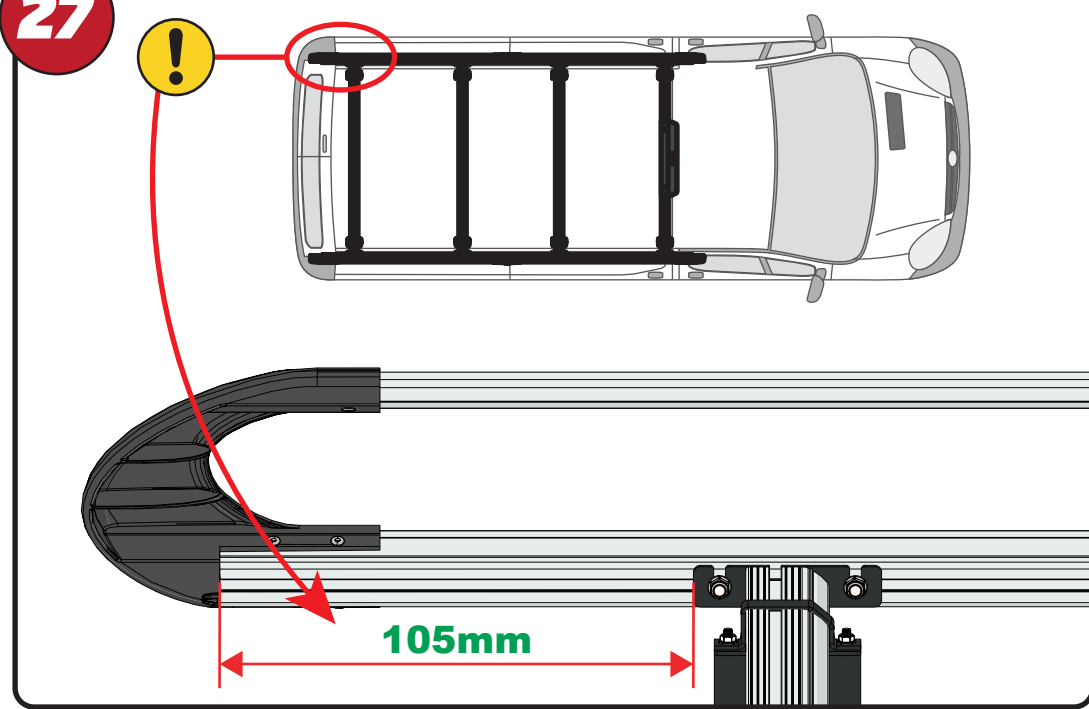
25

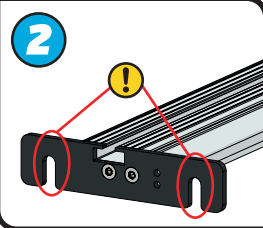
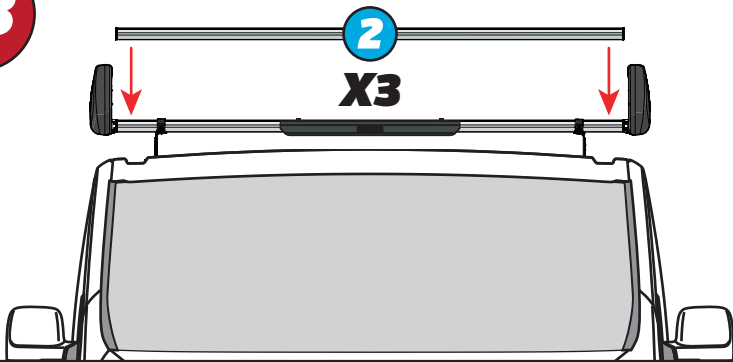


26

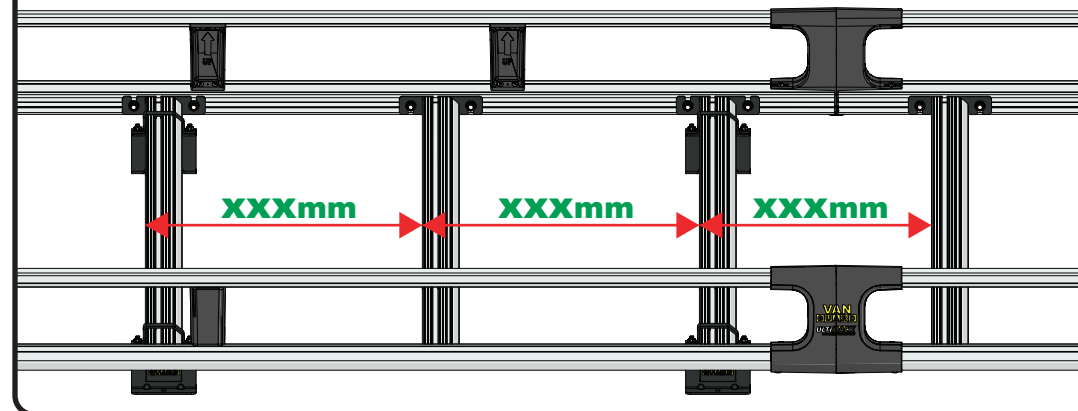
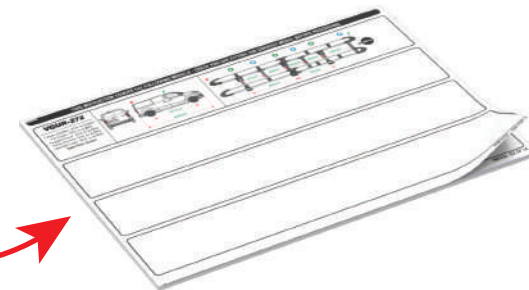


27

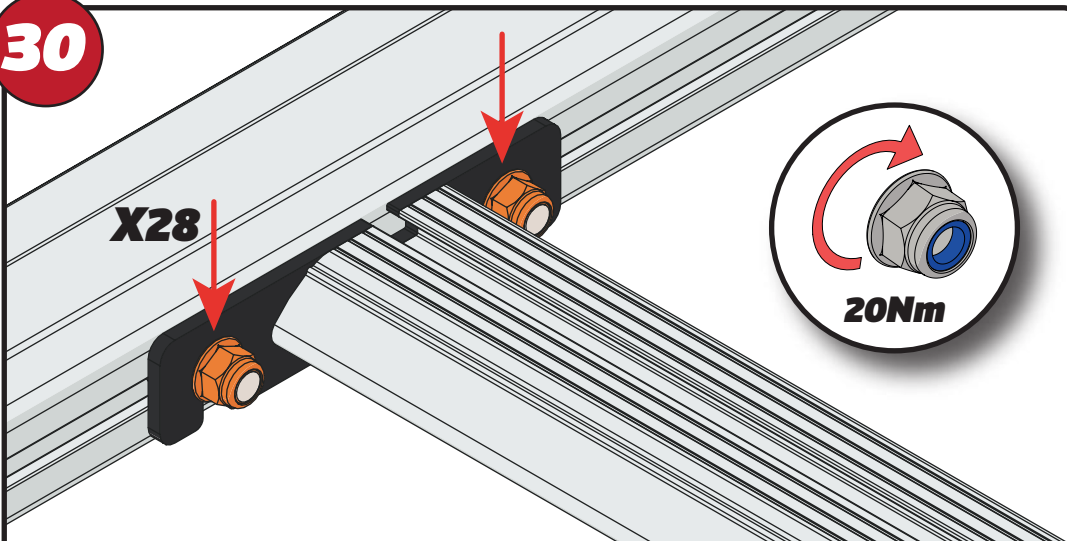


28**29**

XXX =
PAGE 2 OF 15

**30**

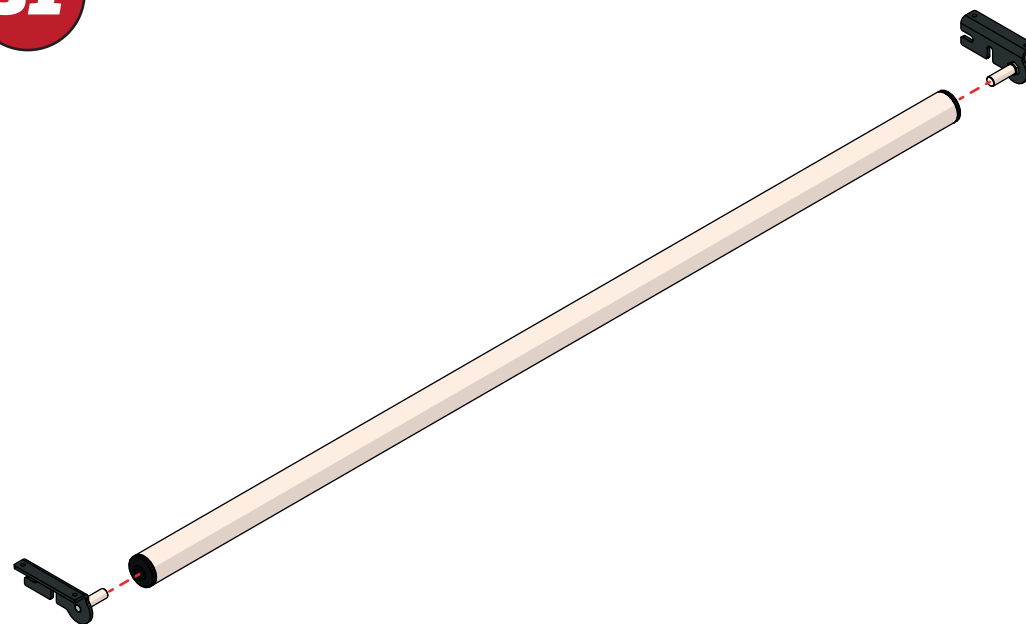
X28



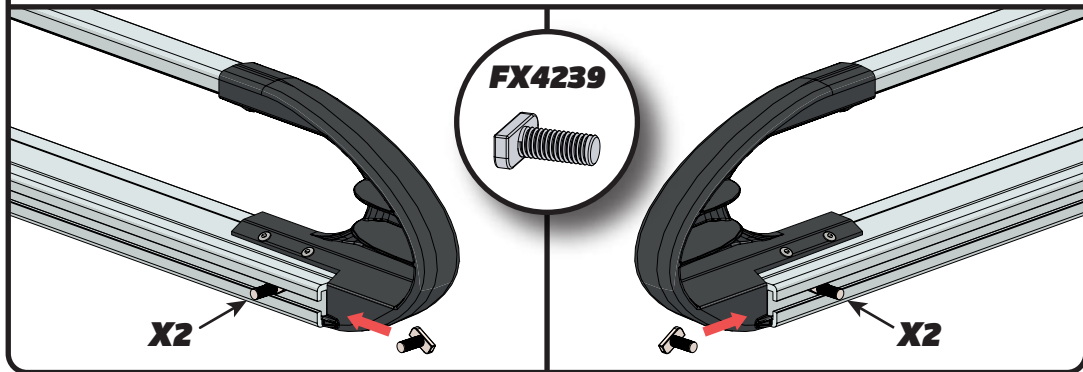
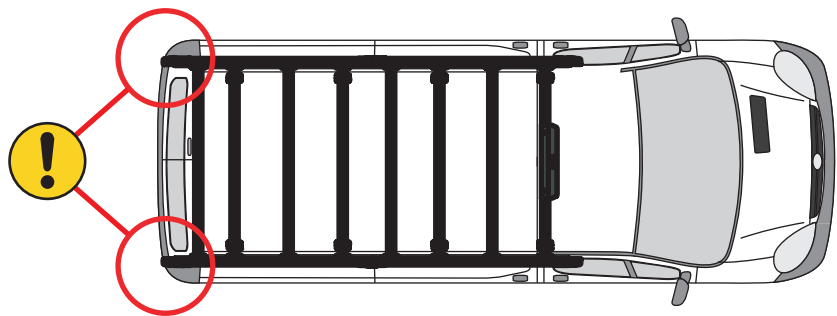
20Nm

EN - TIGHTEN ALL OF THE CROSS BARS
DE - ALLE QUERSTANGEN FESTZIEHEN
FR - SERREZ TOUTES LES BARRES TRANSVERSALES
NL - DRAAI ALLE DWARSBALK VAN HET DAK AAN
ES - APRIETE TODAS LAS BARRAS TRANSVERSALES
IT - STRINGERE TUTTE LE BARRE TRASVERSALI

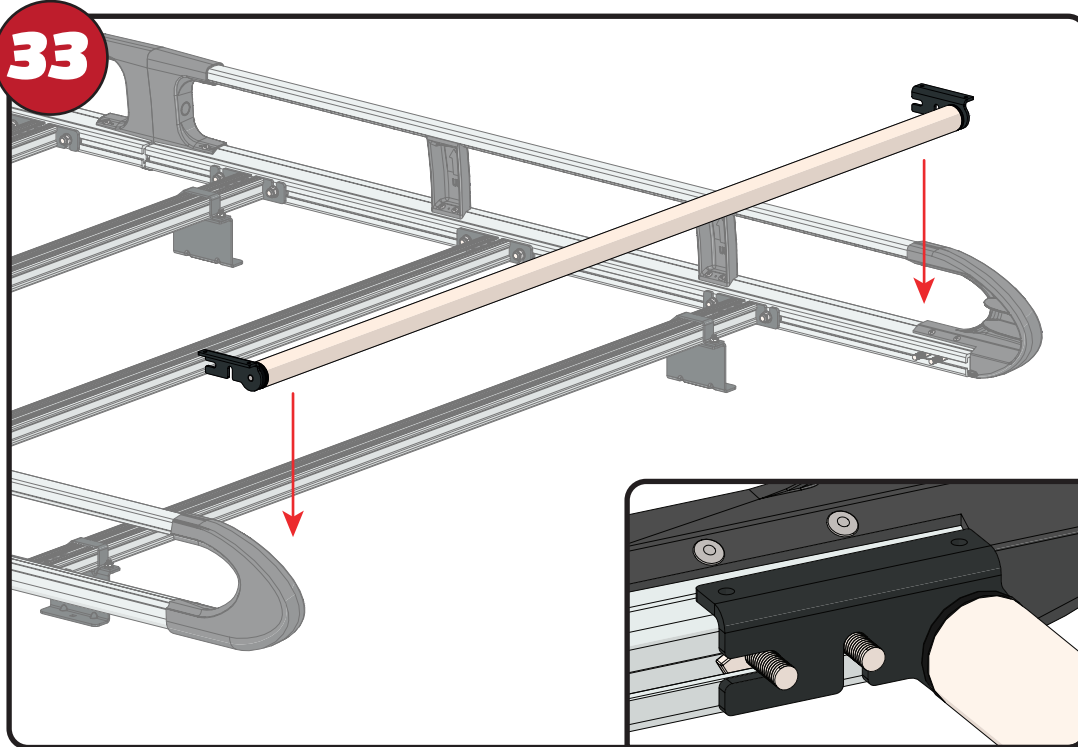
SV - SKRU UPP ALLA KORSSTANGAR
DA - SKRU ALLE TAGBØJLER OP
NO - SKRU OPP ALLE TVERRSTENGER
PL - DOKRĘCIĆ WSZYSTKIE POPRZECZKI
CS - VŠECHNY PŘÍČNÉ TYČE SEŠROUJTE

31

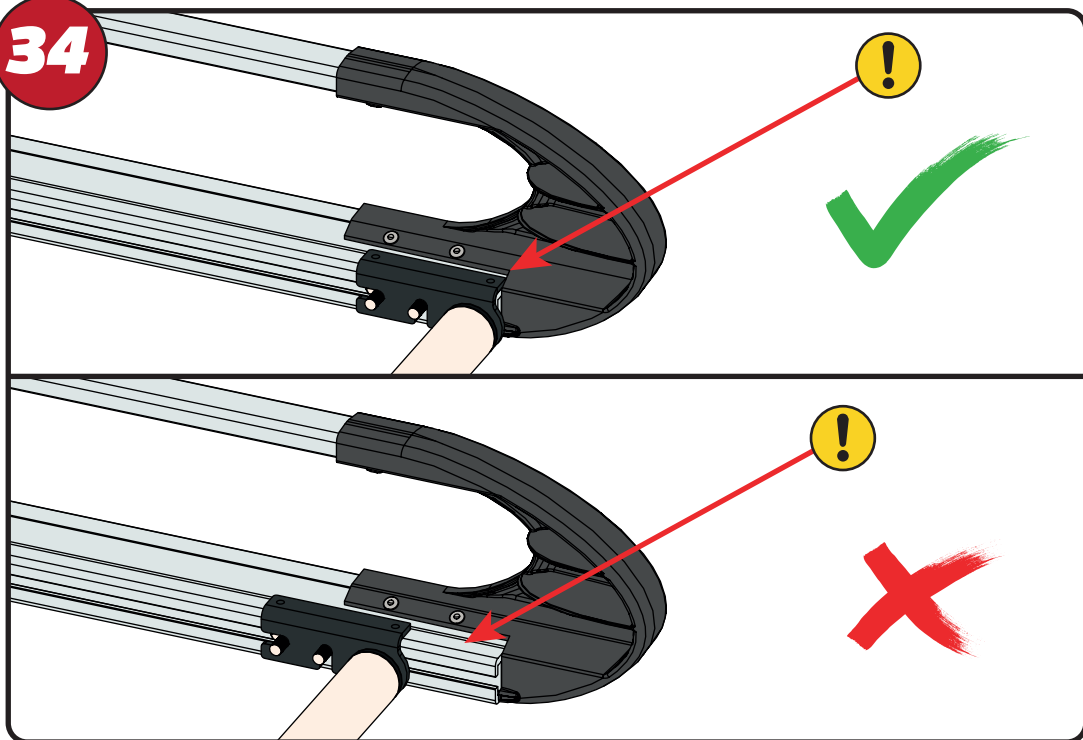
32



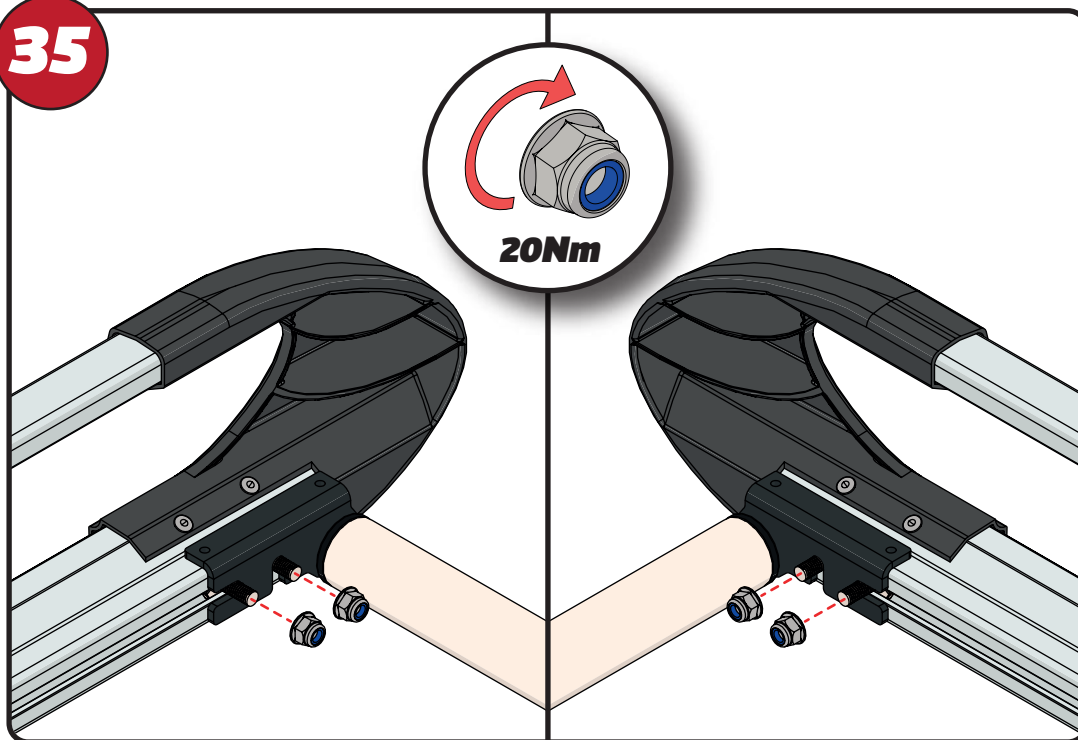
33



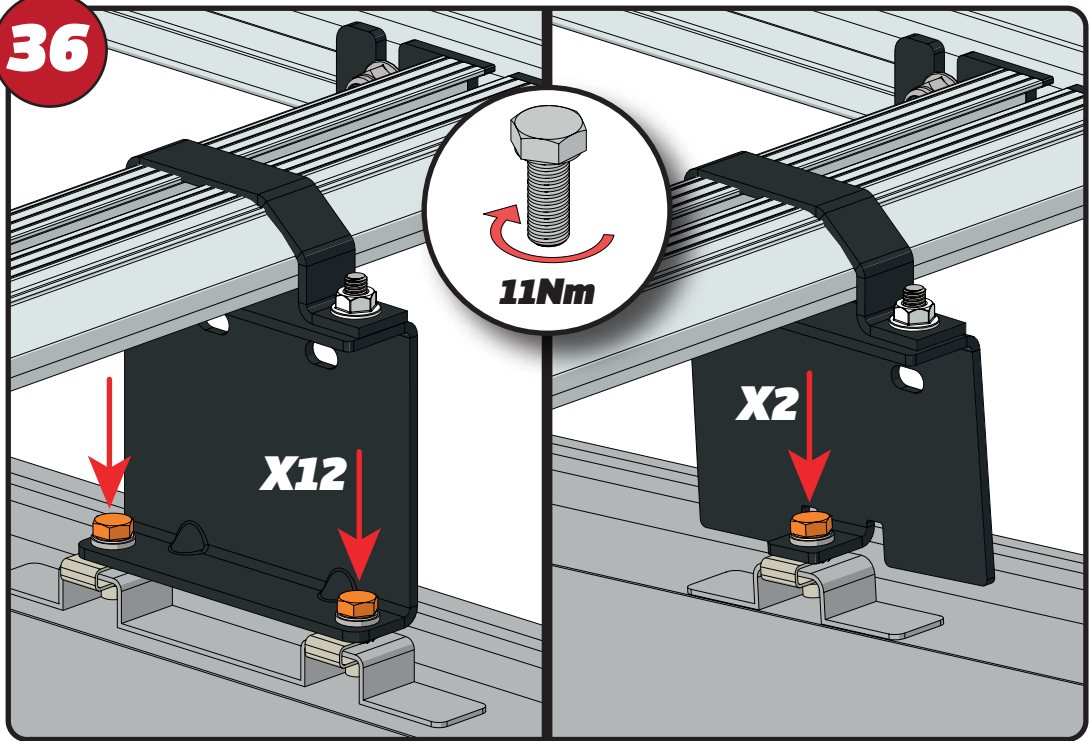
34



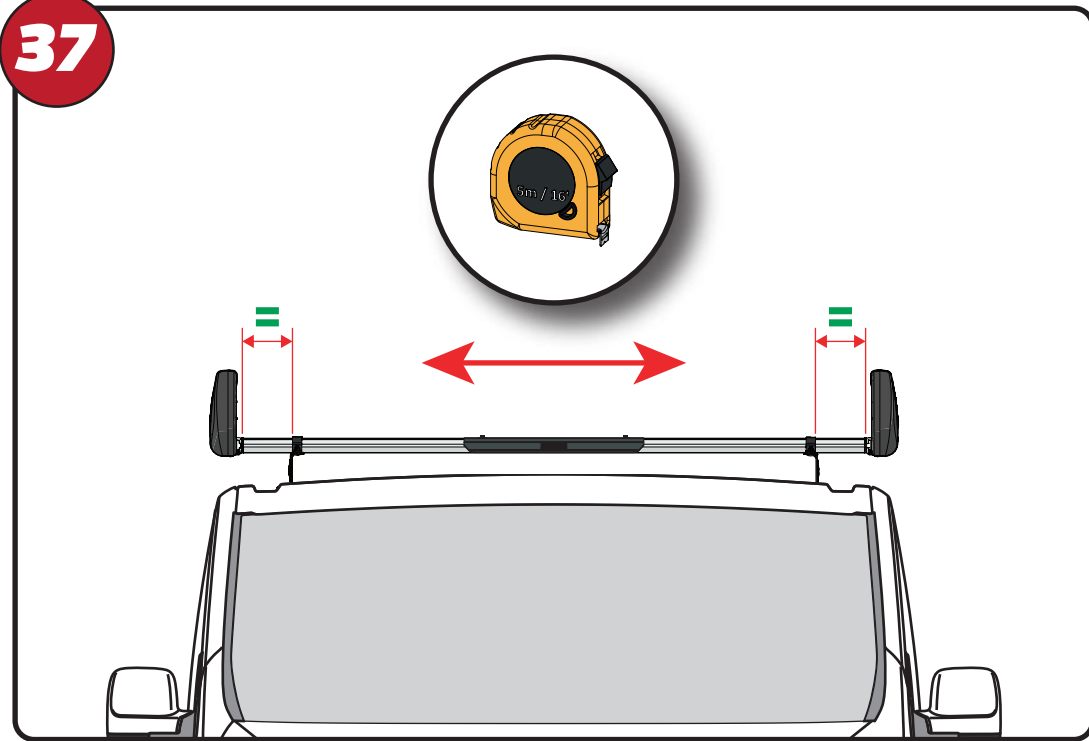
35



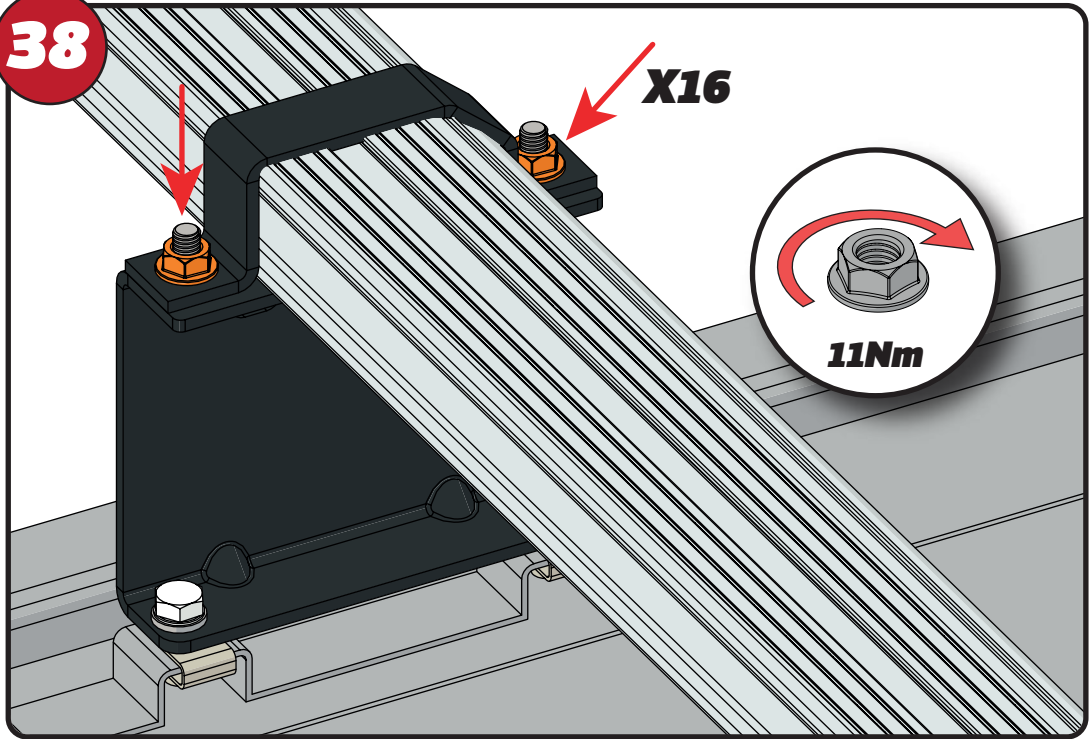
36



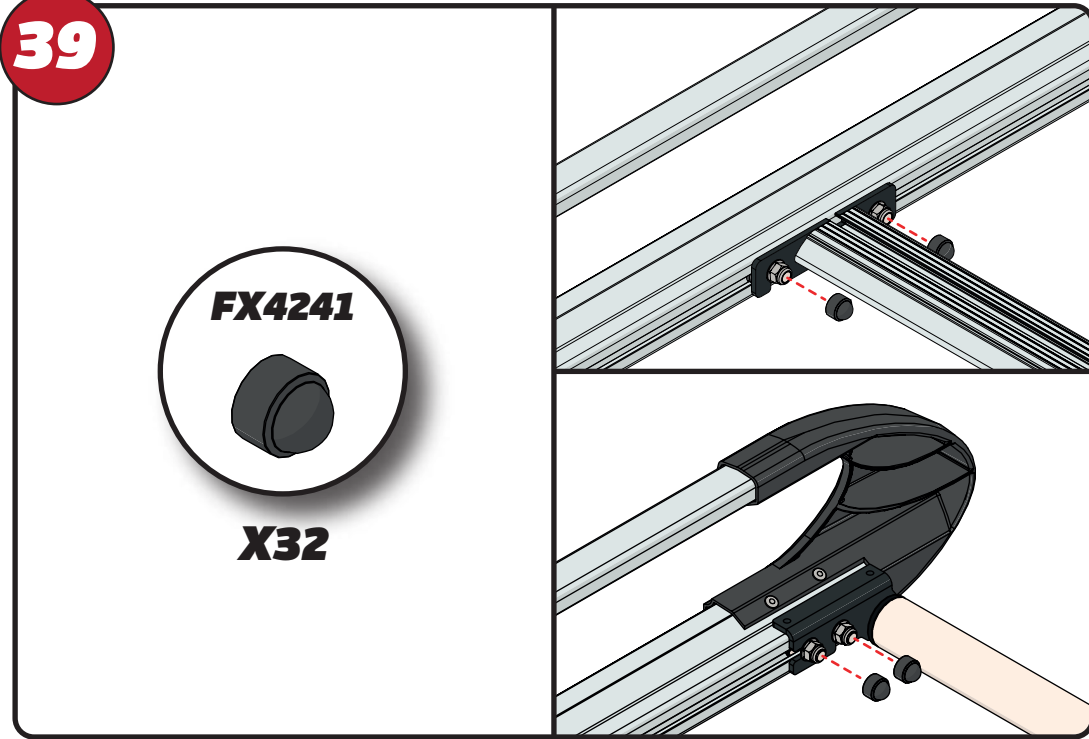
37



38

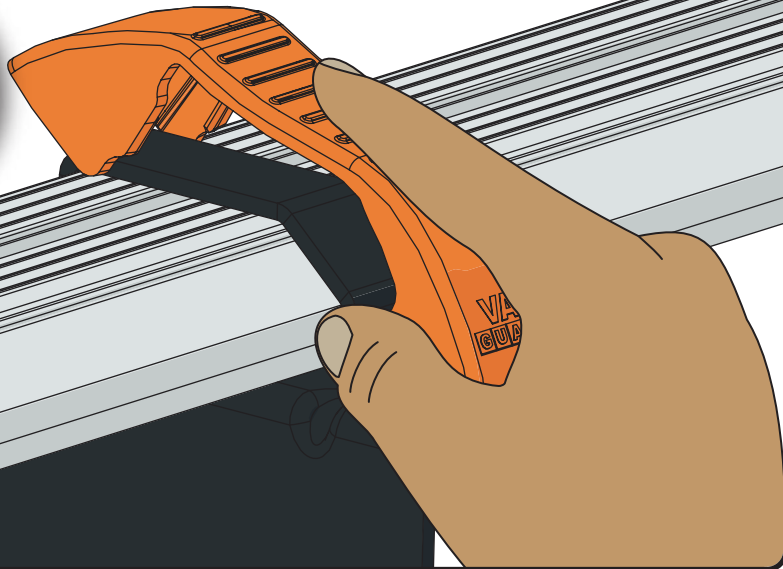


39



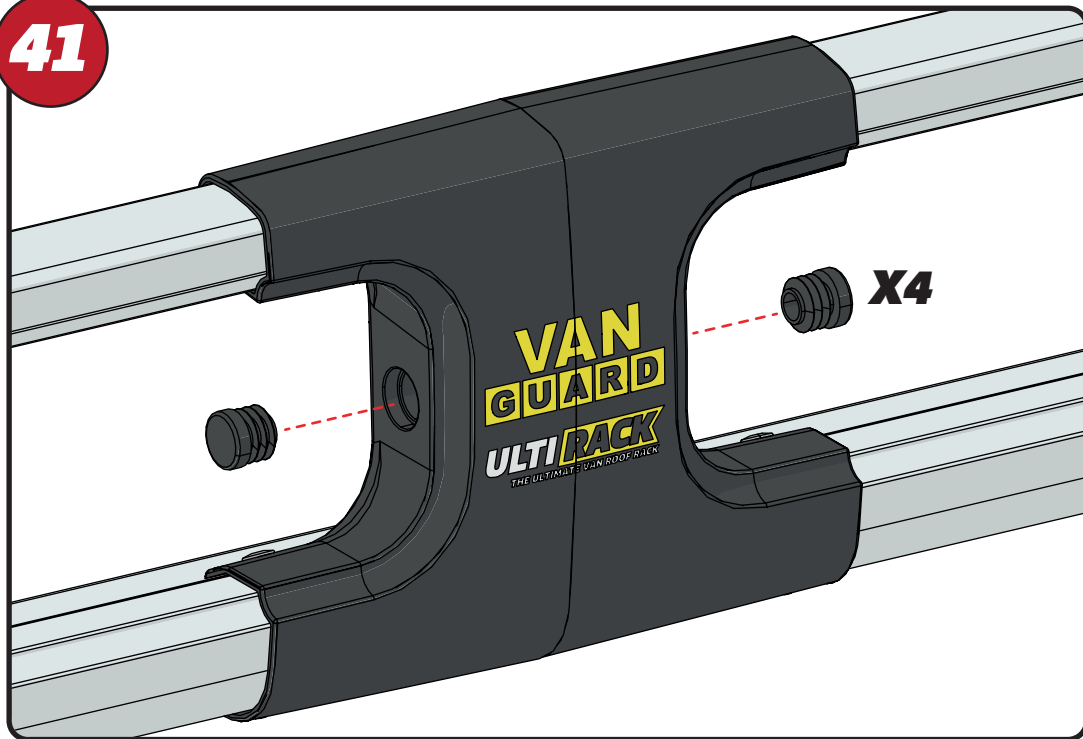
40

X8



41

X4

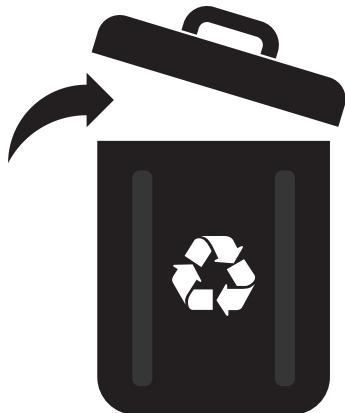
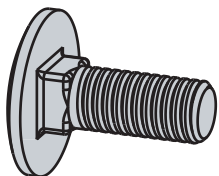


42

FX4016 X10
(M6)



FX4042 X10
(M6X16)



43

