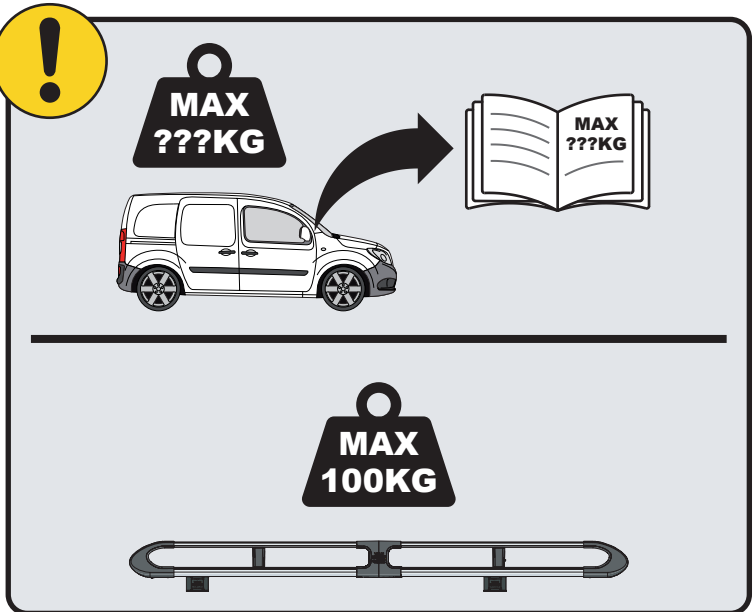
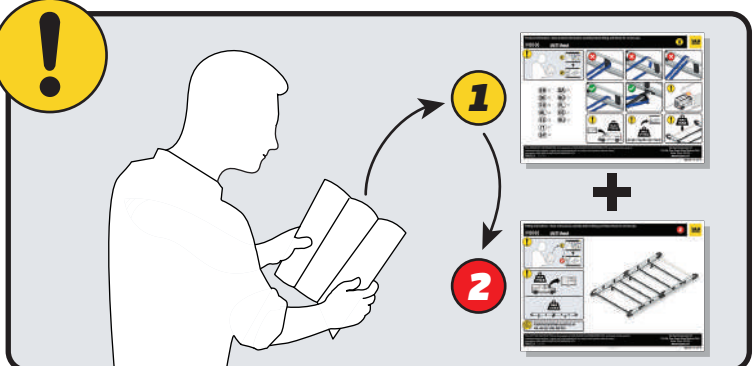
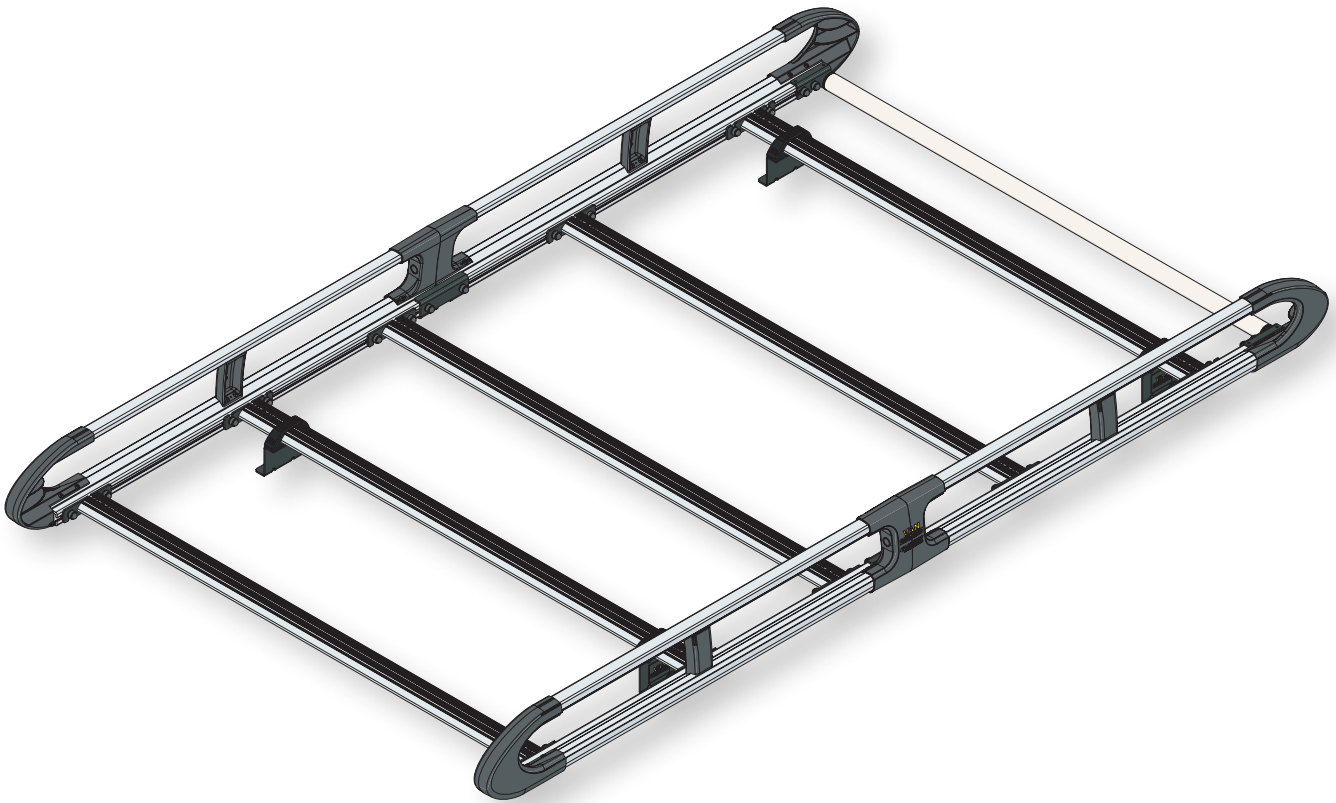


# IN8294

## ULTI Rack+



 [Customercare@van-guard.co.uk](mailto:Customercare@van-guard.co.uk)  
UK +44 (0) 1392 368 351



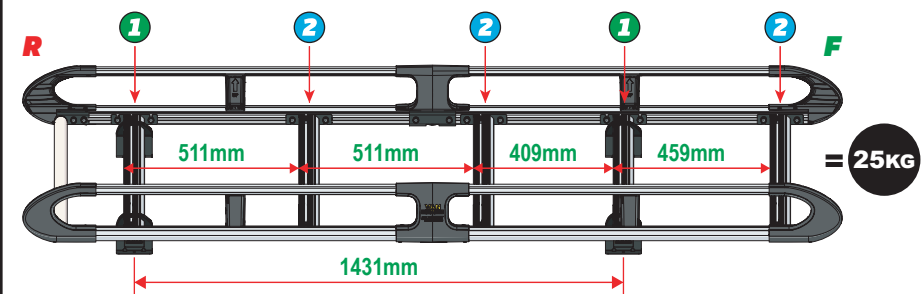
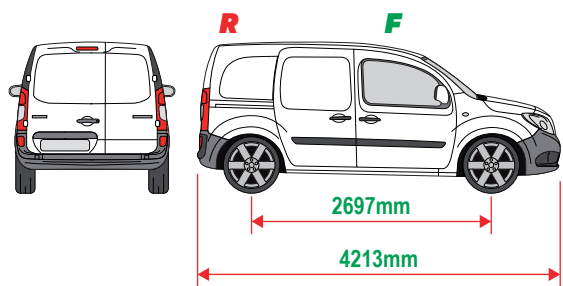
This FITTING INSTRUCTION is the property of VAN GUARD ACCESSORIES LTD. and must not be used for manufacturing purposes, copied nor communicated in any way to third parties without written permission from VAN GUARD ACCESSORIES LTD.  
IN8294\_A (CN:NR)

Van Guard Accessories Ltd  
Fair Oak Close, Exeter Airport Business Park,  
Exeter, Devon, EX5 2UL  
[www.van-guard.co.uk](http://www.van-guard.co.uk)

**THIS INSTRUCTION COVERS THE FOLLOWING MODELS - CHECK YOU ARE FITTING THE CORRECT MODEL BEFORE PROCEEDING**

**VGUR-223**

Mercedes Citan: 2012 on (L2H1)  
Nissan NV250: 2019 on (L1H1)  
Renault Kangoo: 2009 on (L2H1)  
**Twin Rear Doors**



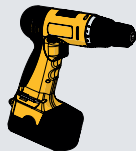
**SUPPLIED COMPONENTS - CHECK ALL PARTS ARE PRESENT AND CORRECT BEFORE PROCEEDING (1 OF 2)**

**TOOLS REQUIRED**

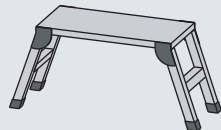
**10MM X1**



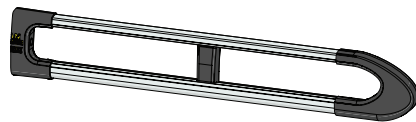
**13MM X1**



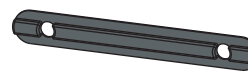
**T40 TORX X1**



**AS3533 X2**  
(2200 / A)



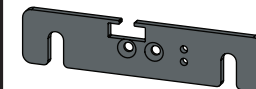
**MA6118 X12**



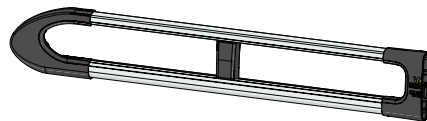
**FX4241 X28**



**ME1622 X3**



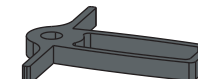
**AS3532 X2**  
(2200 / B)



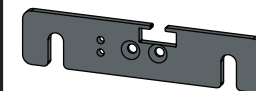
**FX4008 X1**



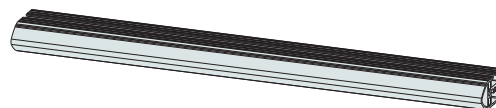
**MA6145 X1**



**ME1623 X3**



**ME1626 X5**  
(1264mm)



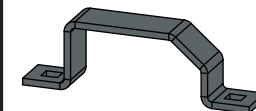
**FX4001 X2**  
(M8X40)



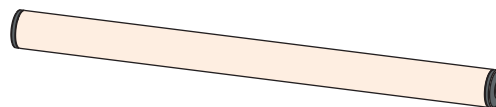
**FX4235 X20**  
(M5X25)



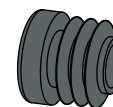
**ME0203 X4**



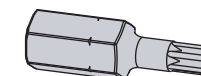
**AS3158 X1**  
(1250mm)



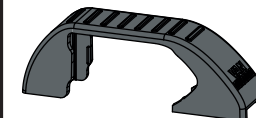
**MA6007 X4**



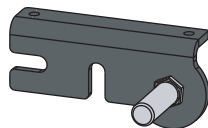
**FX4248 X1**  
(T25)



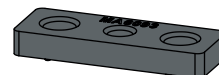
**MA6065 X4**



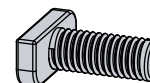
**AS3590 X1**



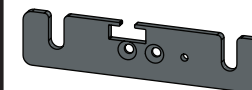
**MA6093 X10**



**FX4239 X28**  
(M8X20)



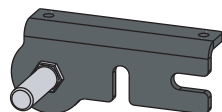
**ME1620 X2**



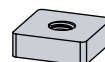
**FX4016 X8**  
(M6)



**AS3591 X1**



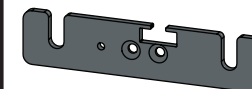
**ME0316 X10**



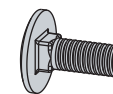
**FX4240 X28**  
(M8)



**ME1621 X2**

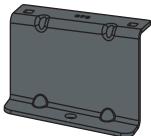


**FX4042 X8**  
(M6X16)



SUPPLIED COMPONENTS - CHECK ALL PARTS ARE PRESENT AND CORRECT BEFORE PROCEEDING (2 OF 2)

ME0673 X1



FX4020 X4

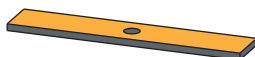
(M8)



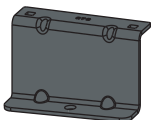
ME0674 X1



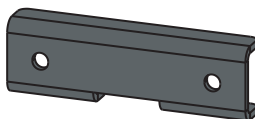
MA6017 X4



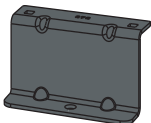
ME0675 X1



ME1635 X2

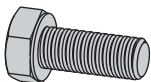


ME0676 X1



FX4018 X4

(M8X20)



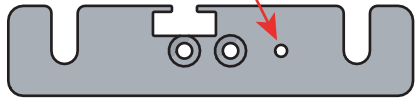
FX4019 X4

(M8)



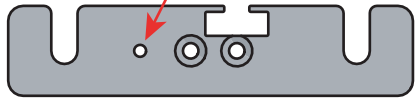
**01**

**1L**



**X2**

**1R**



**X2**

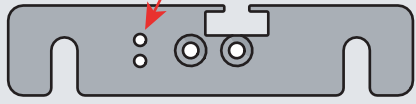


**2L**



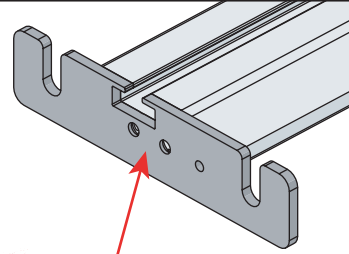
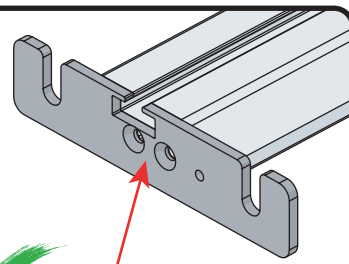
**X3**

**2R**



**X3**

**02**



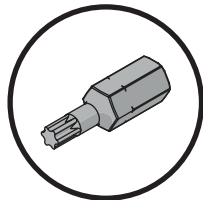
**03**

**01**

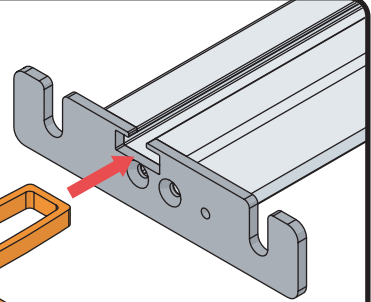
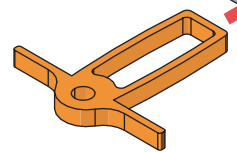
**FX4248**



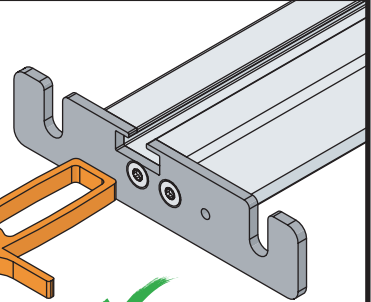
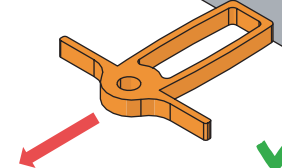
**+**



**02**



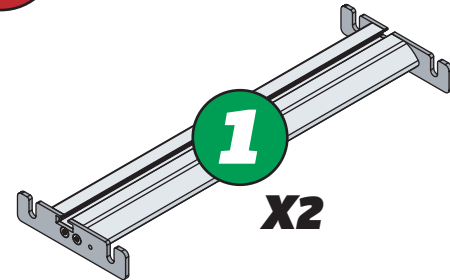
**04**



**04**

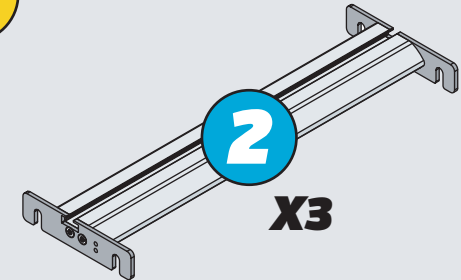


**1**



**X2**

**2**

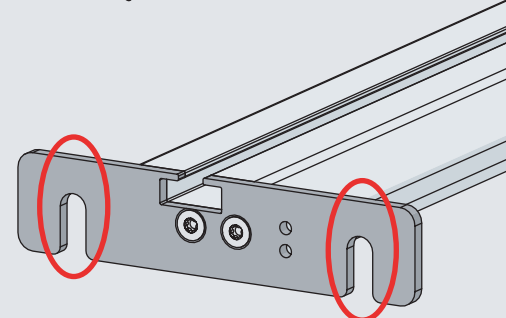
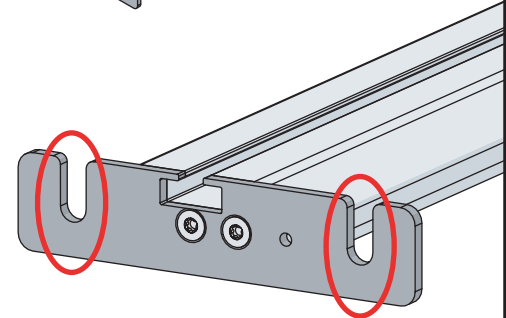
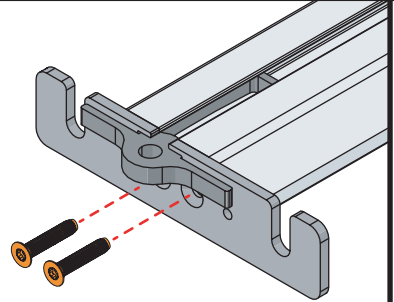


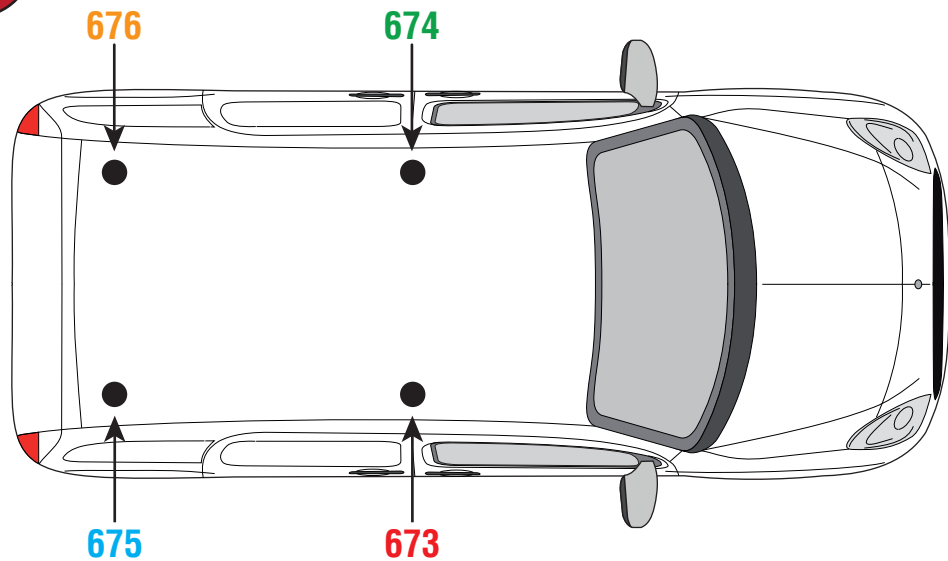
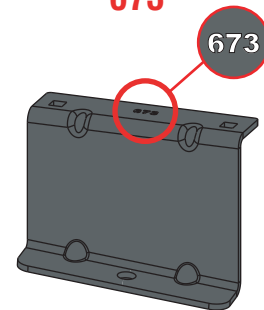
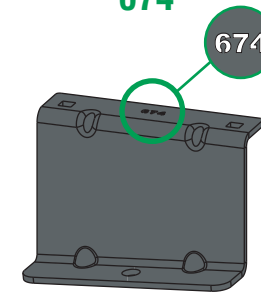
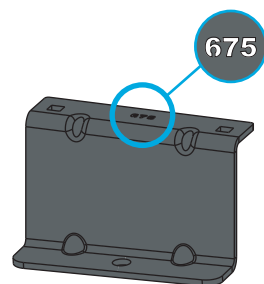
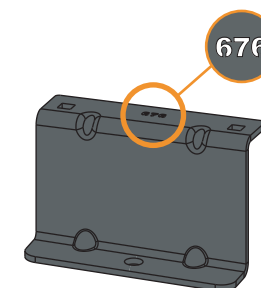
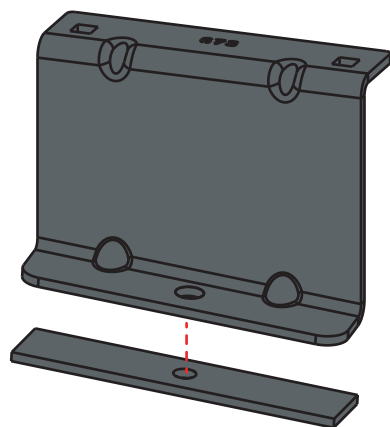
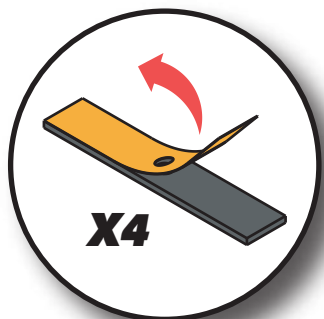
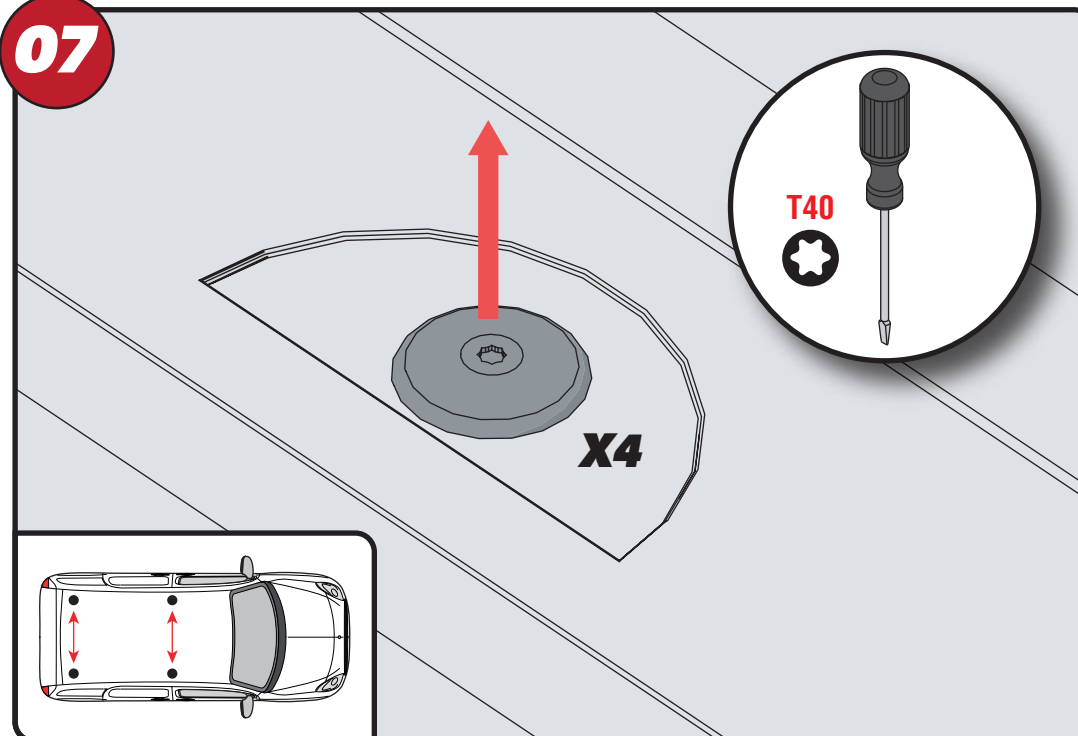
**X3**

**03**



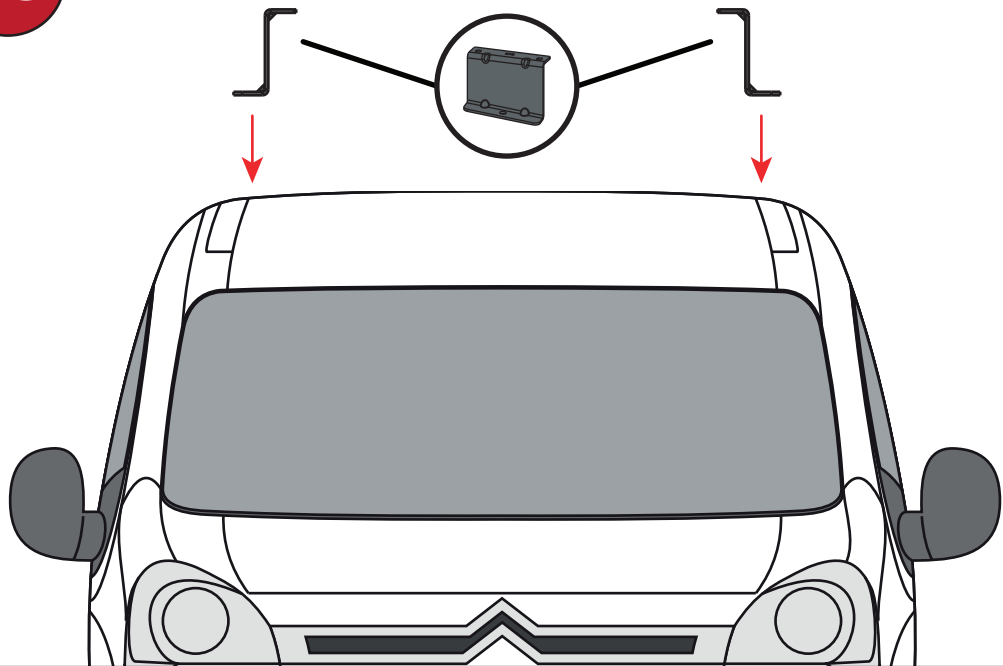
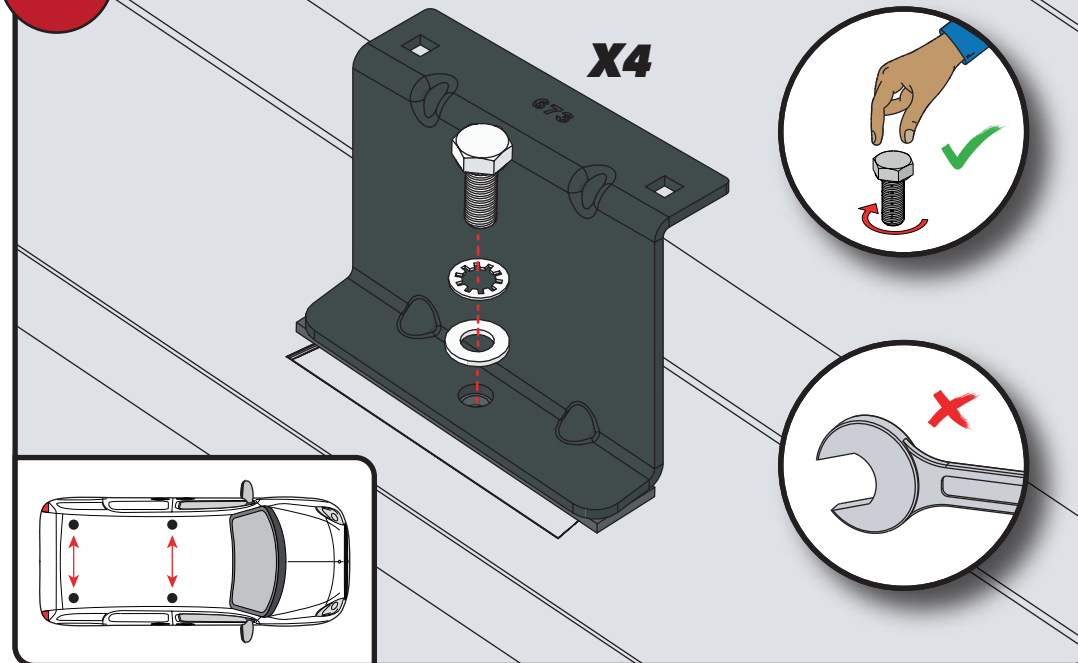
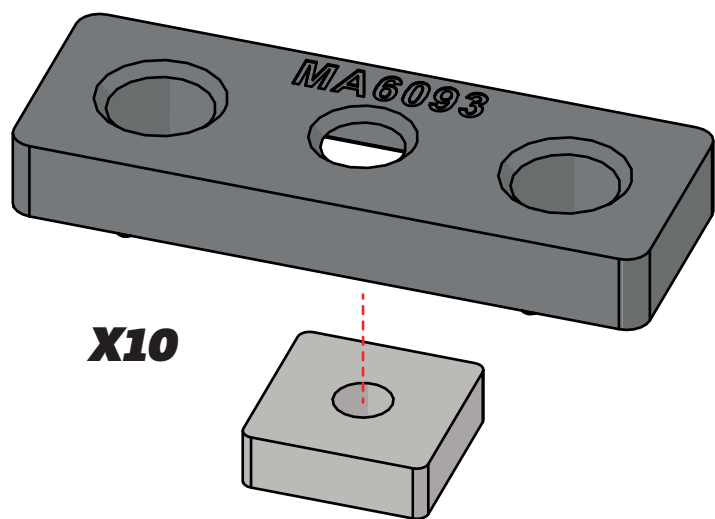
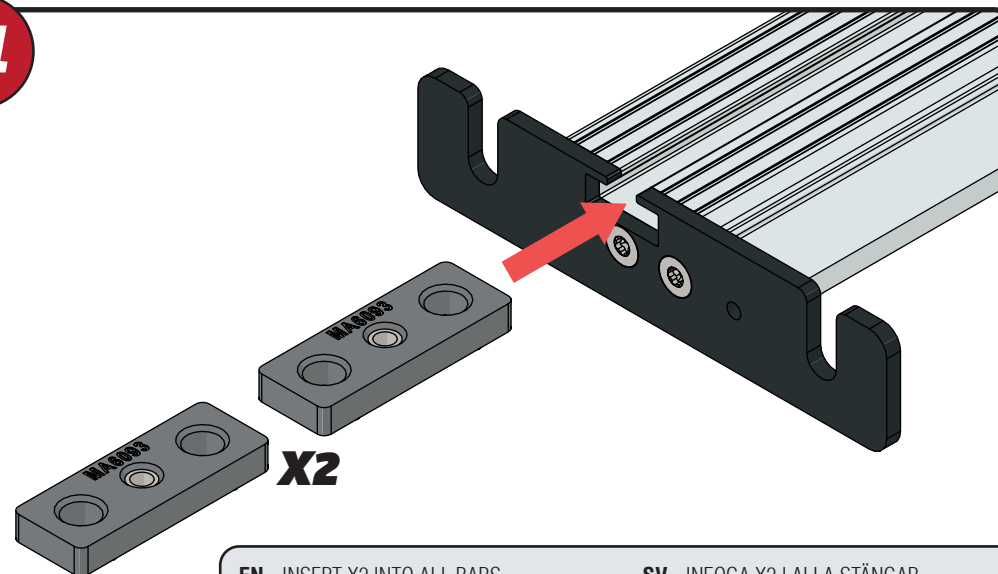
**11Nm**



**05****673****674****675****676****06****07**

EN - STICK GASKETS TO ALL BRACKETS  
 DE - KLEBEN SIE DIE DICHTUNG AN ALLEN HALTERUNGEN  
 FR - COUSSINETS ADHÉSIFS À TOUS LES SUPPORTS  
 NL - PLAK PAKKING OP ALLE BEUGELS  
 ES - PEGA LAS ALMOHADILLAS A TODOS LOS SOPORTES  
 IT - ADESIVI GUARNIZIONI A TUTTE LE STAFFE

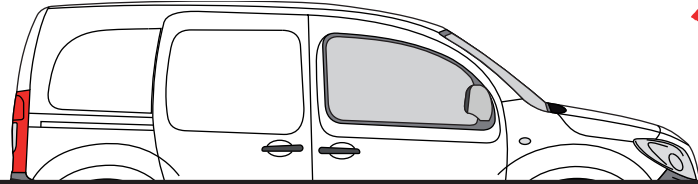
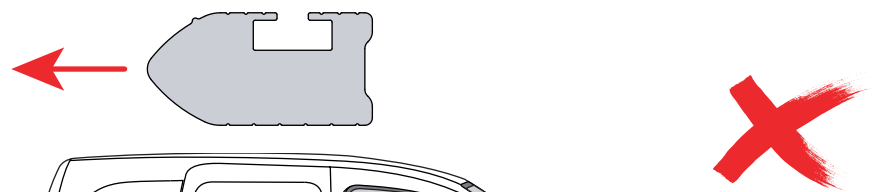
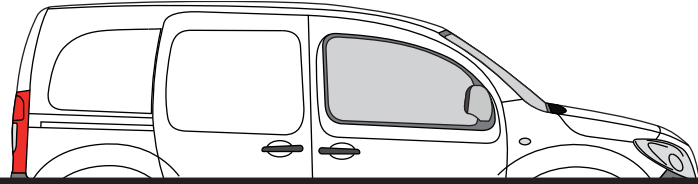
SV - FÄST GUMMI PÅ ALLA FÄSTEN  
 DA - KLÆB GUMMI PÅ ALLE BESLAG  
 NO - PLIST GUMMI PÅ ALLE BRAKKETTER  
 PL - NAKLEJ USZCZELKI DO WSZYSTKICH WSPORNIKÓW  
 CS - PŘILEPTE TĚSNĚNÍ NA VŠECHNY DRŽÁKY

**08****09****10****X10****11****X2**

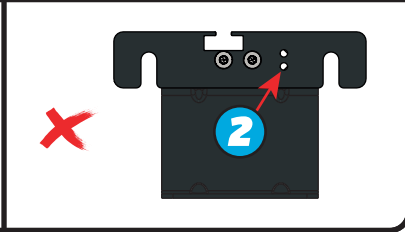
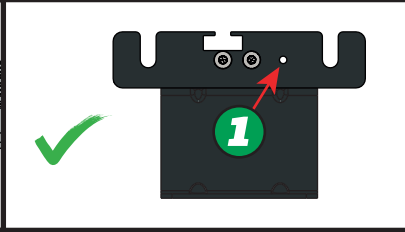
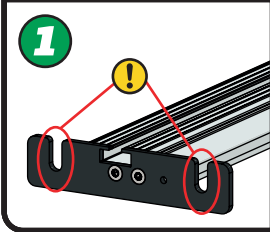
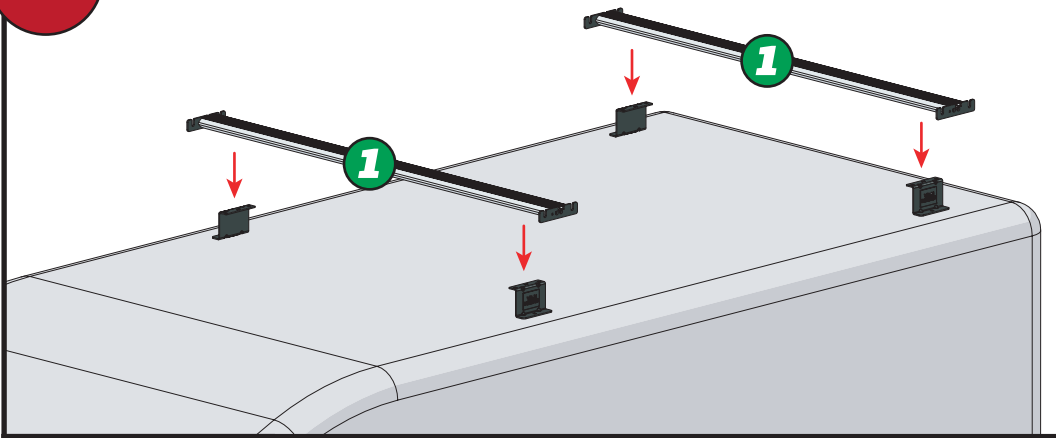
EN - INSERT X2 INTO ALL BARS  
 DE - X2 IN ALLE STANGEN EINFÜGEN  
 FR - INSÉRER X2 DANS TOUTES LES BARRES  
 NL - PLAATS X2 IN ALLE BARS  
 ES - INSERTAR X2 EN TODAS LAS BARRAS  
 IT - INSERIRE X2 IN TUTTE LE BARRE

SV - INFOGA X2 I ALLA STÄNGAR  
 DA - INDSÆT X2 I ALLE STÆNGER  
 NO - SETT X2 INN I ALLE TAKSTENGER  
 PL - WSTAW X2 DO WSZYSTKICH PRĘTÓW  
 CS - VLOŽTE X2 DO VŠECH TYČÍ

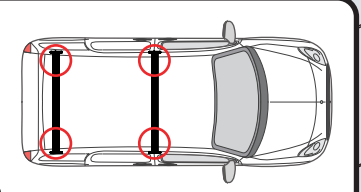
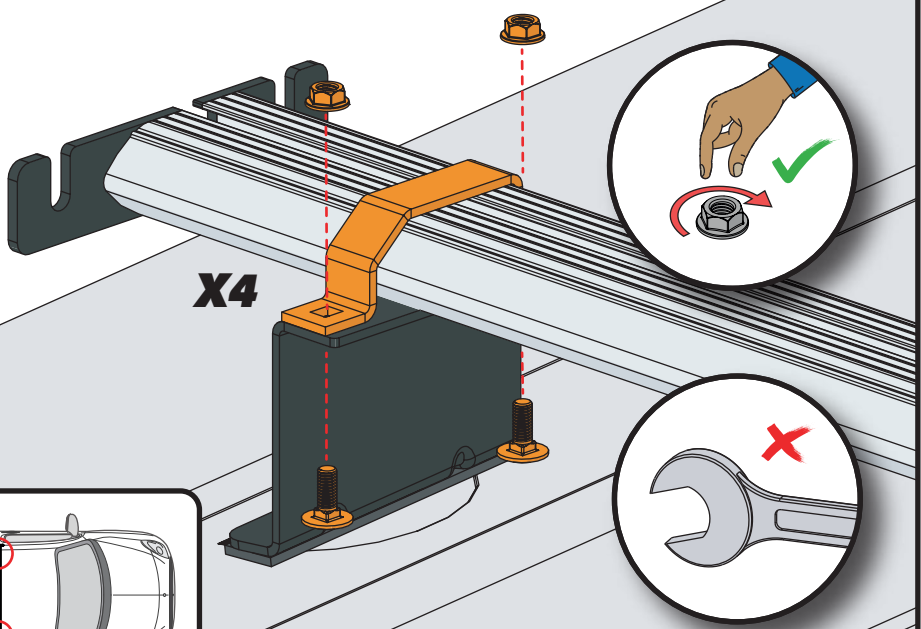
12



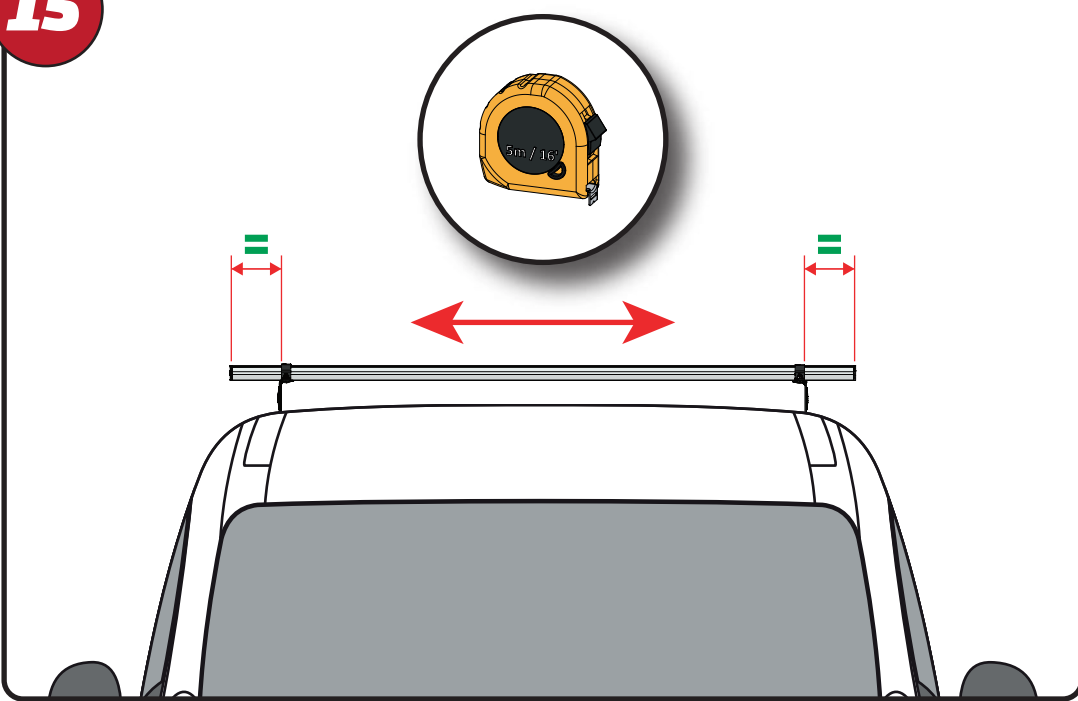
13



14



15

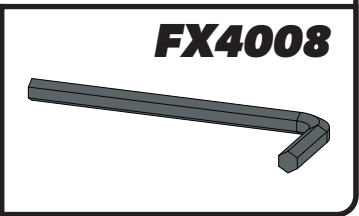
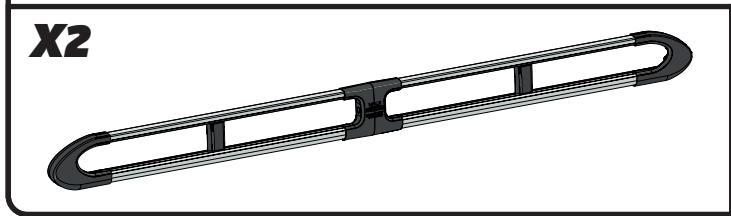
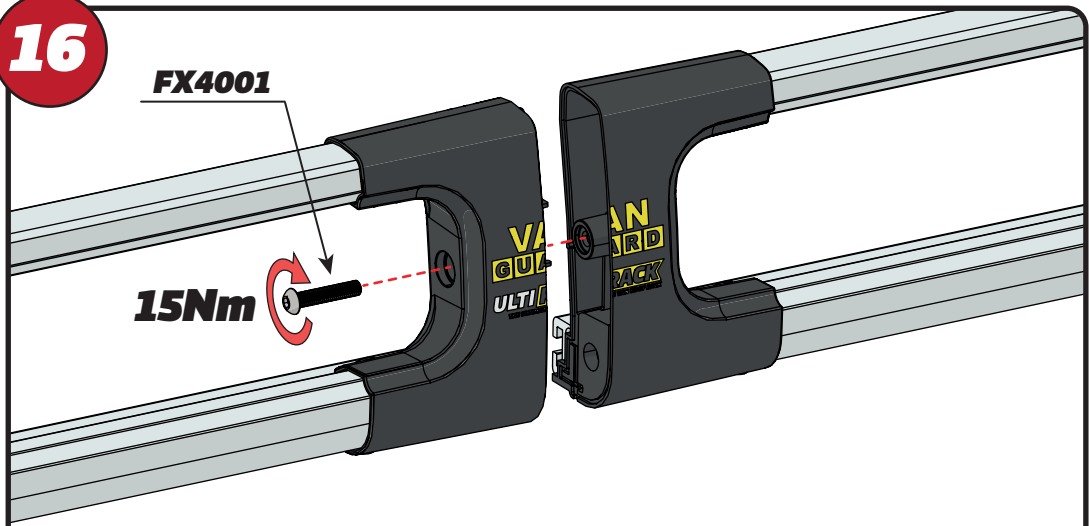




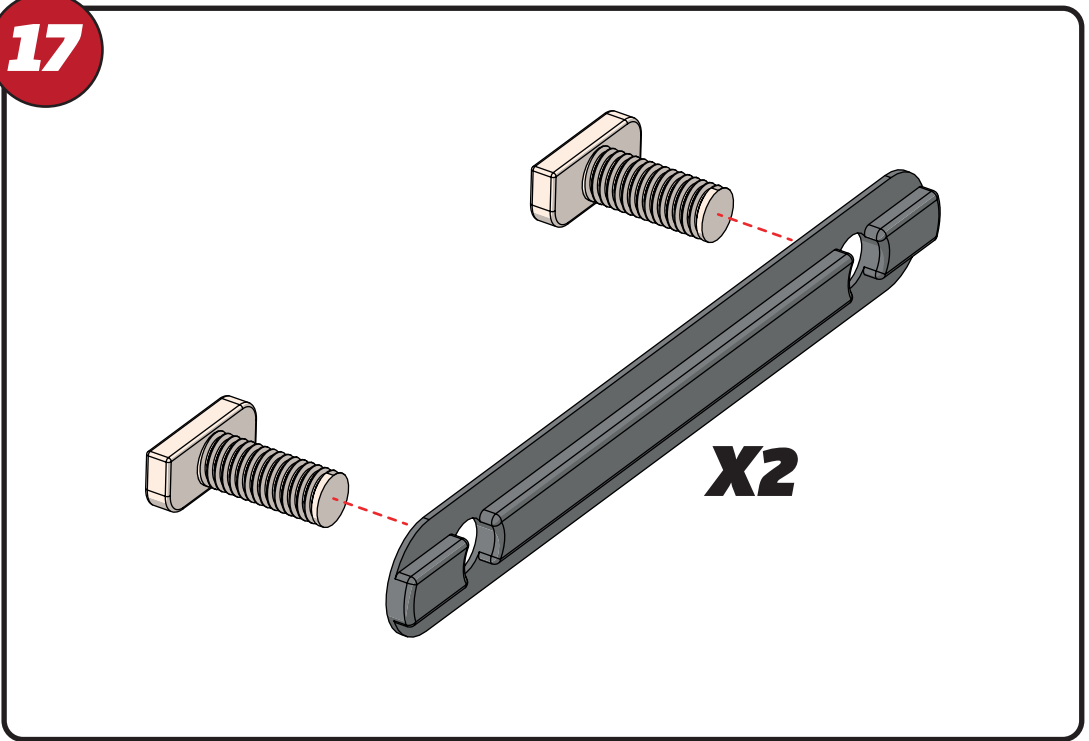
16

FX4001

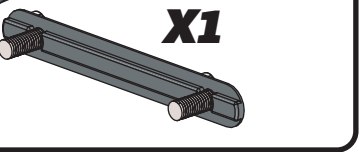
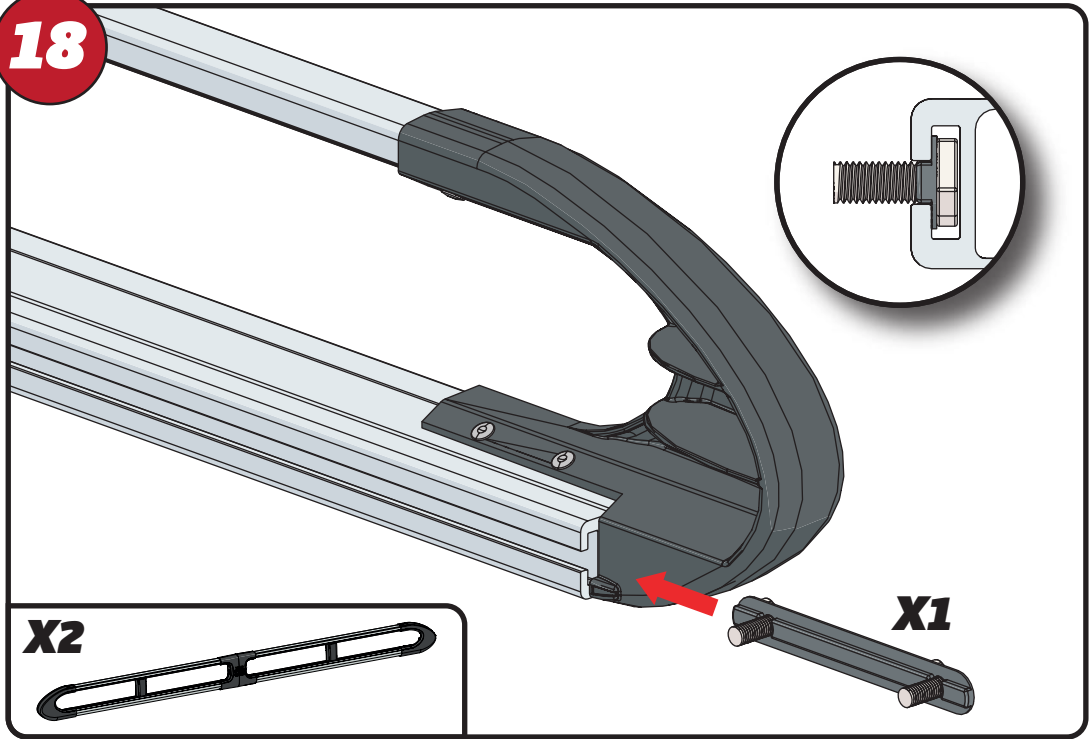
15Nm



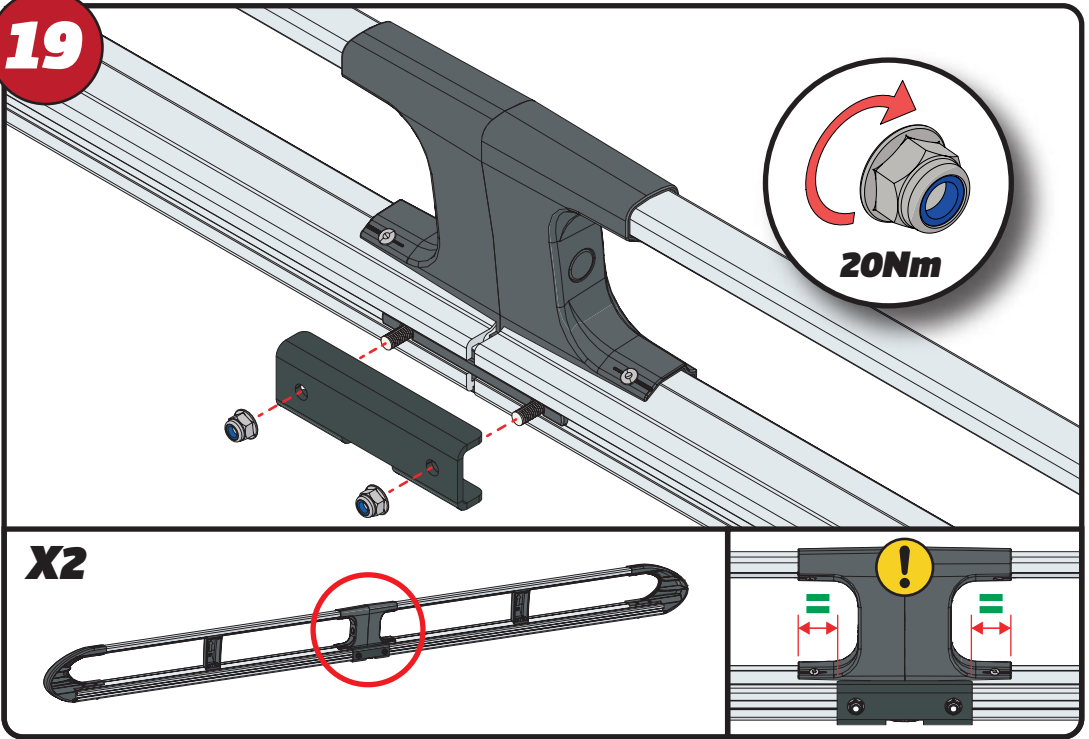
17



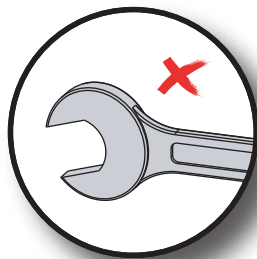
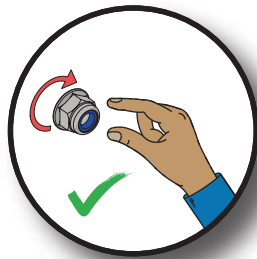
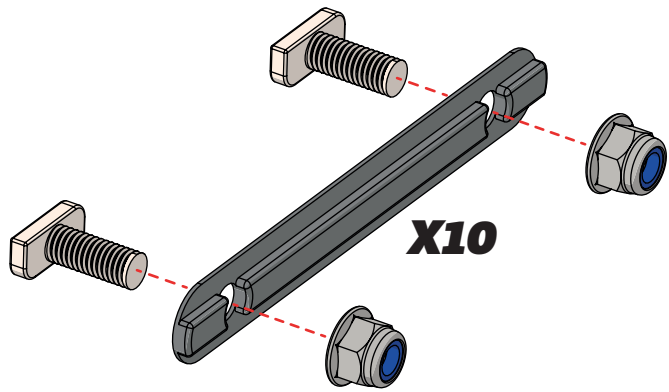
18



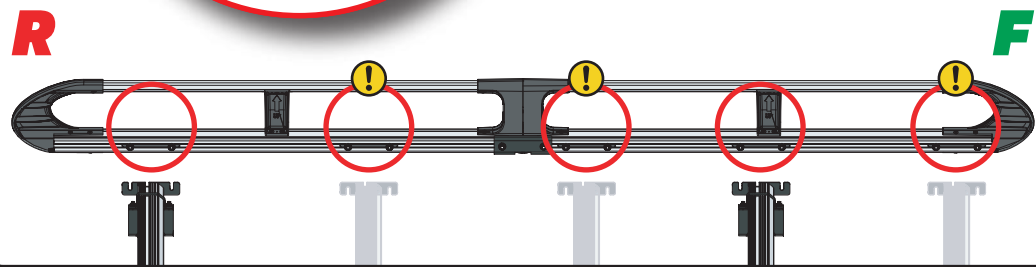
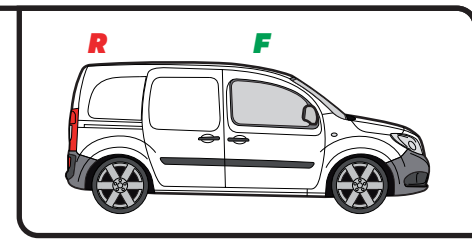
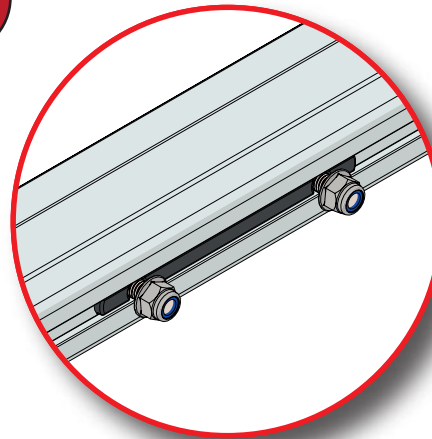
19



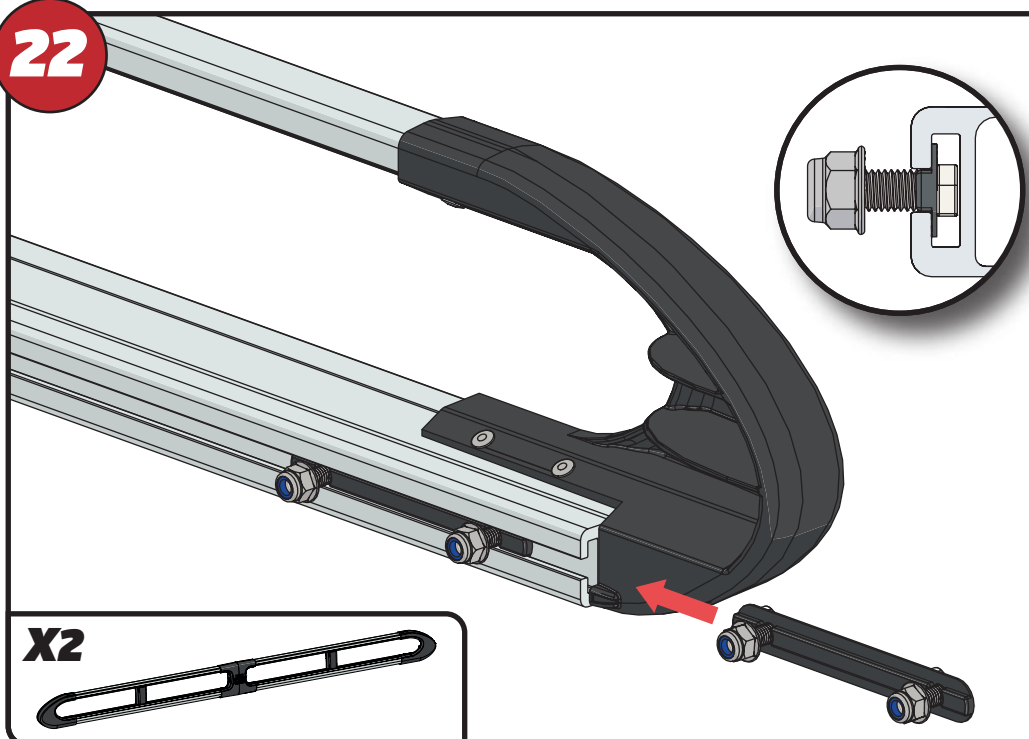
20



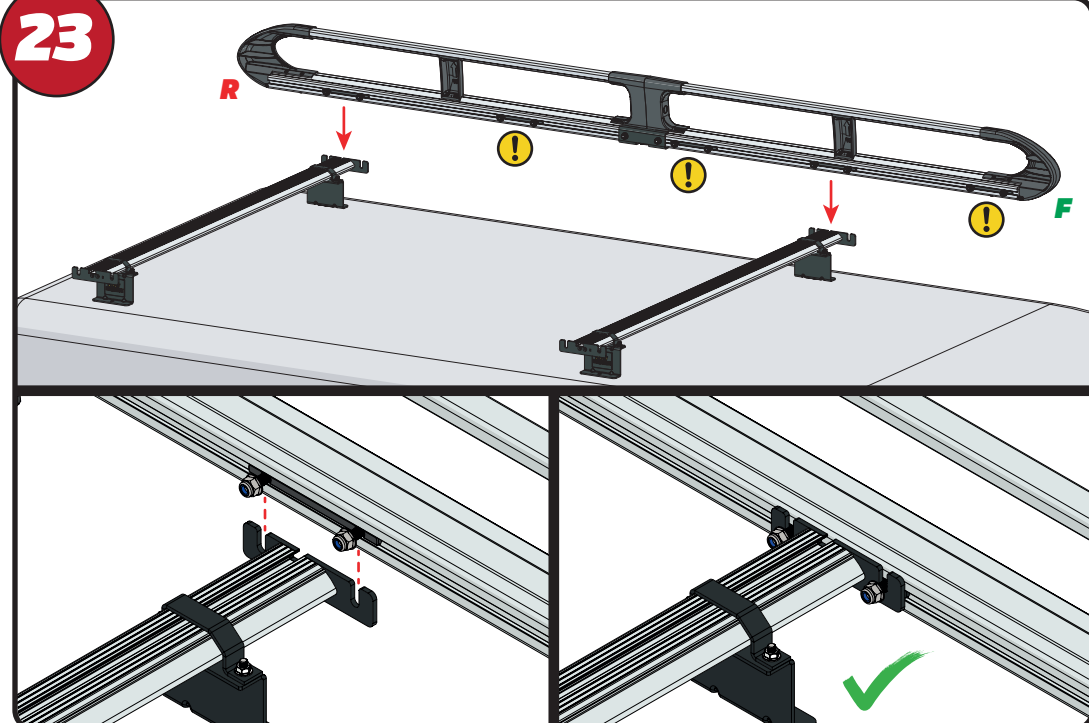
21



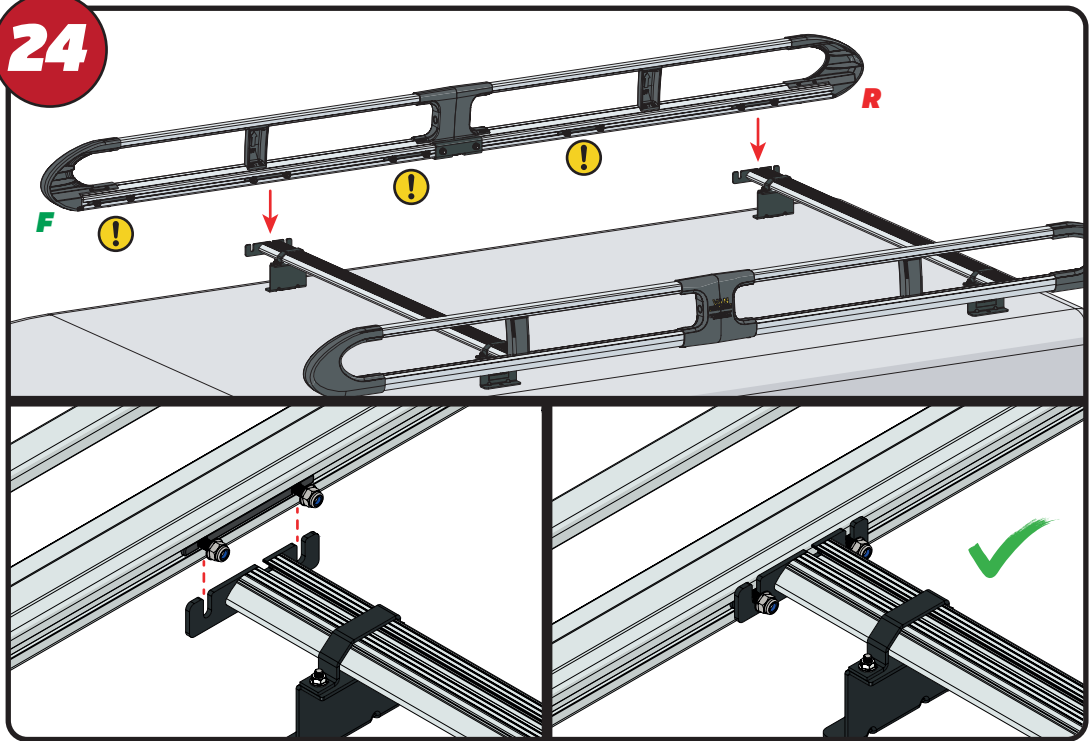
22



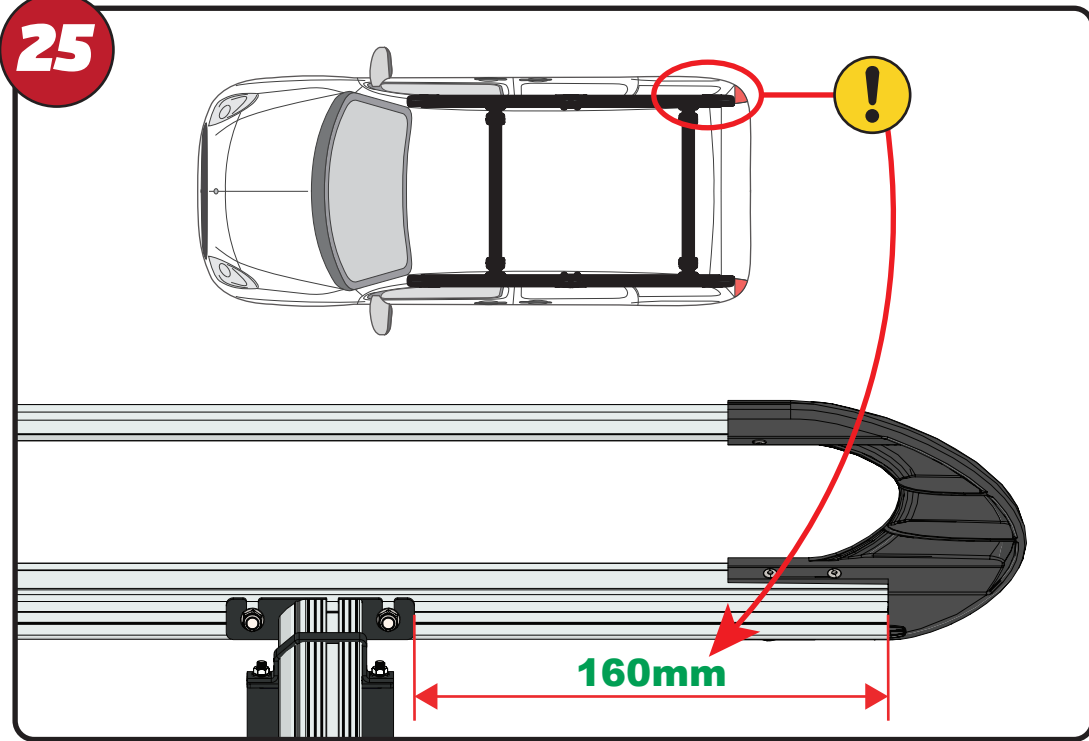
23



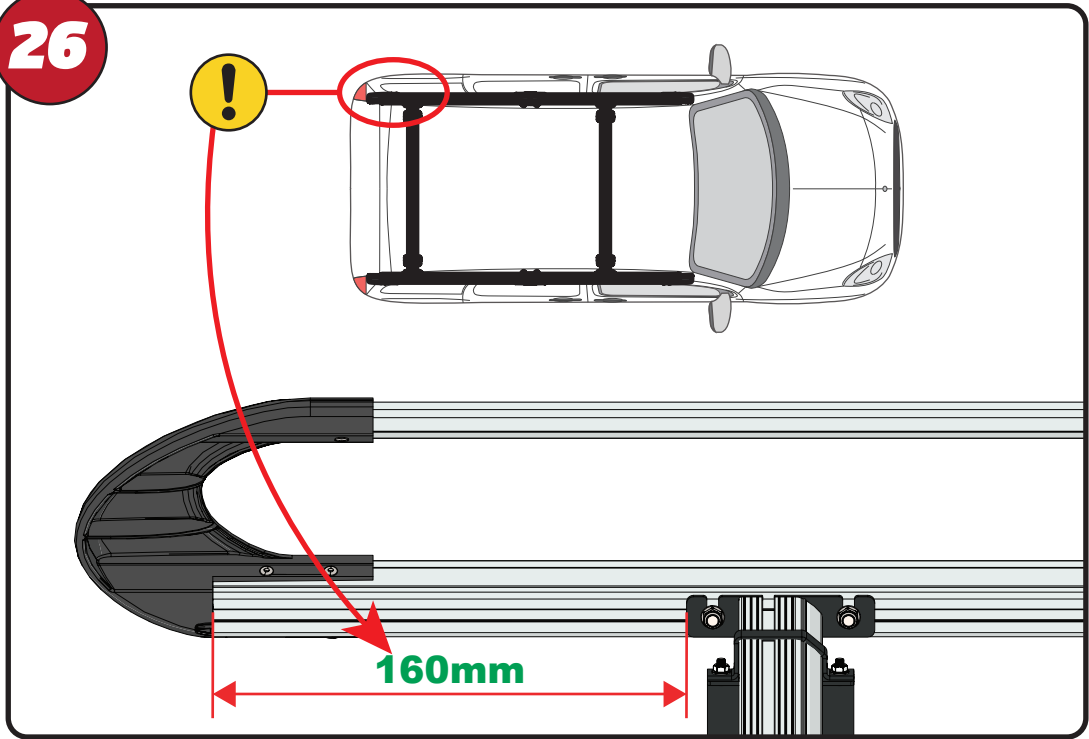
24



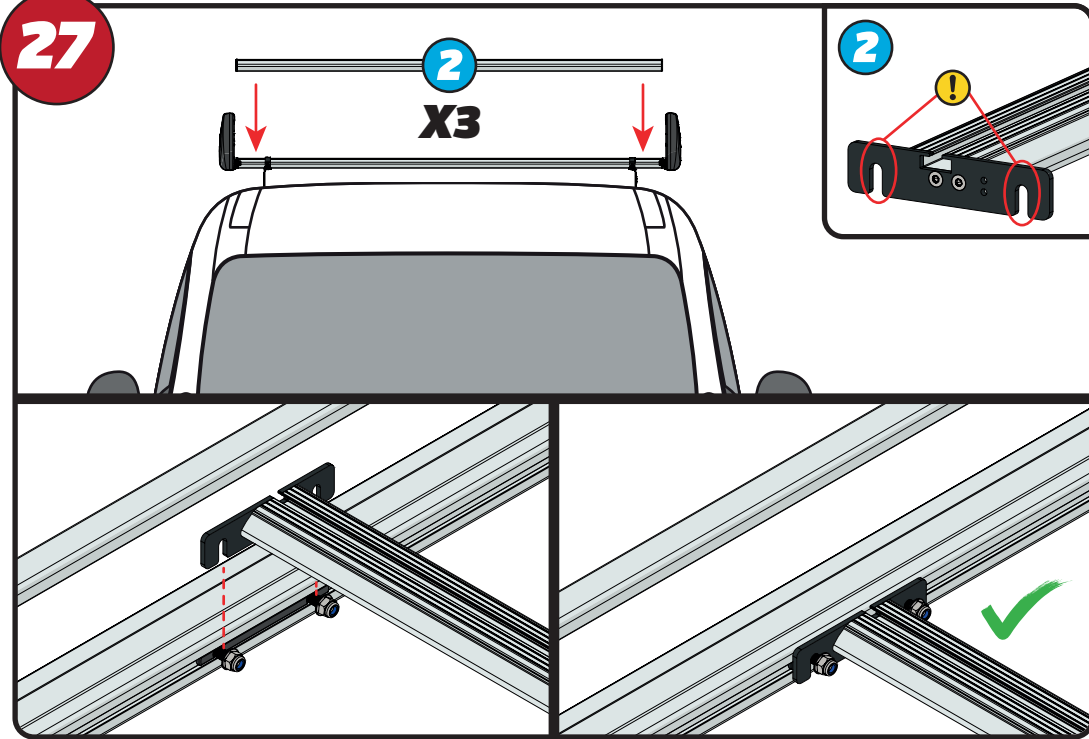
25



26

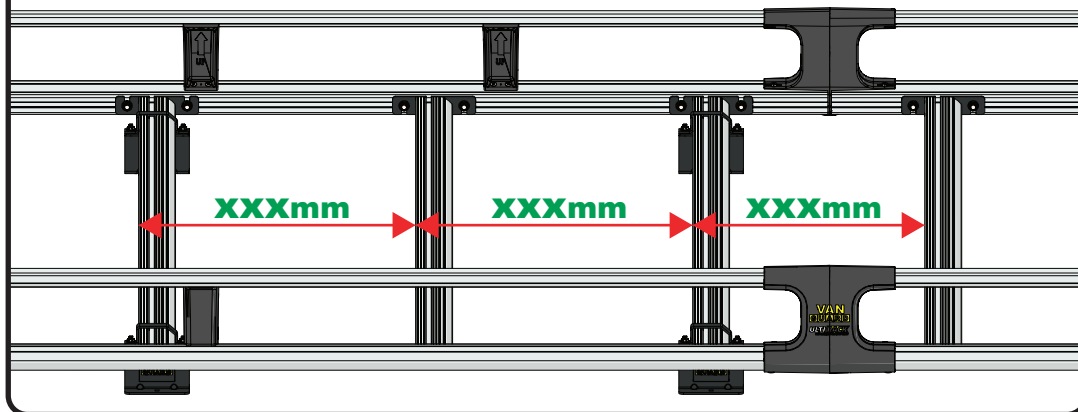
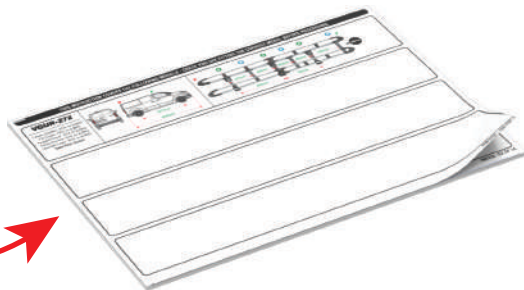
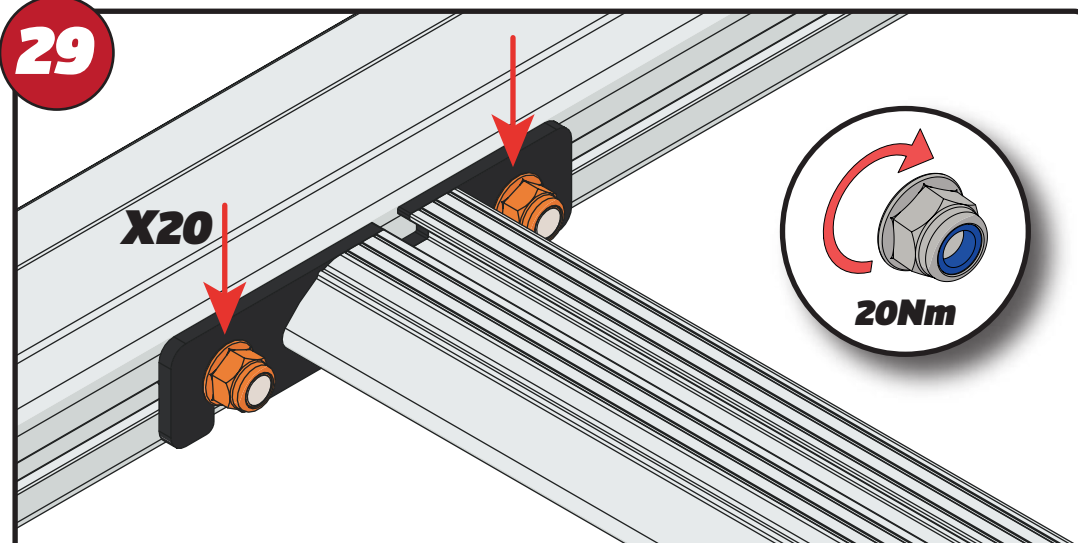


27



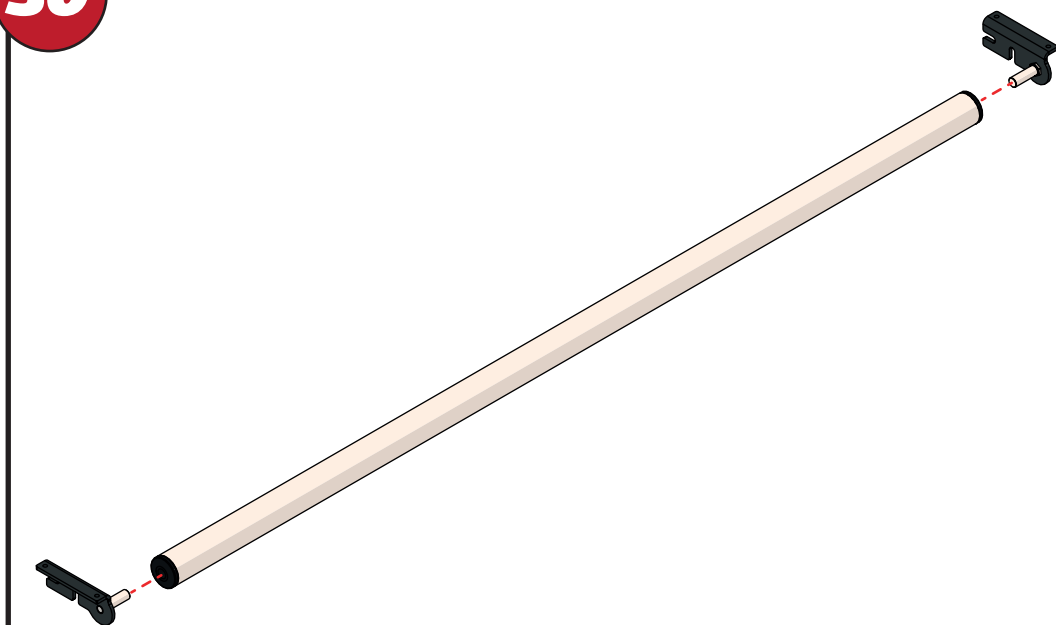
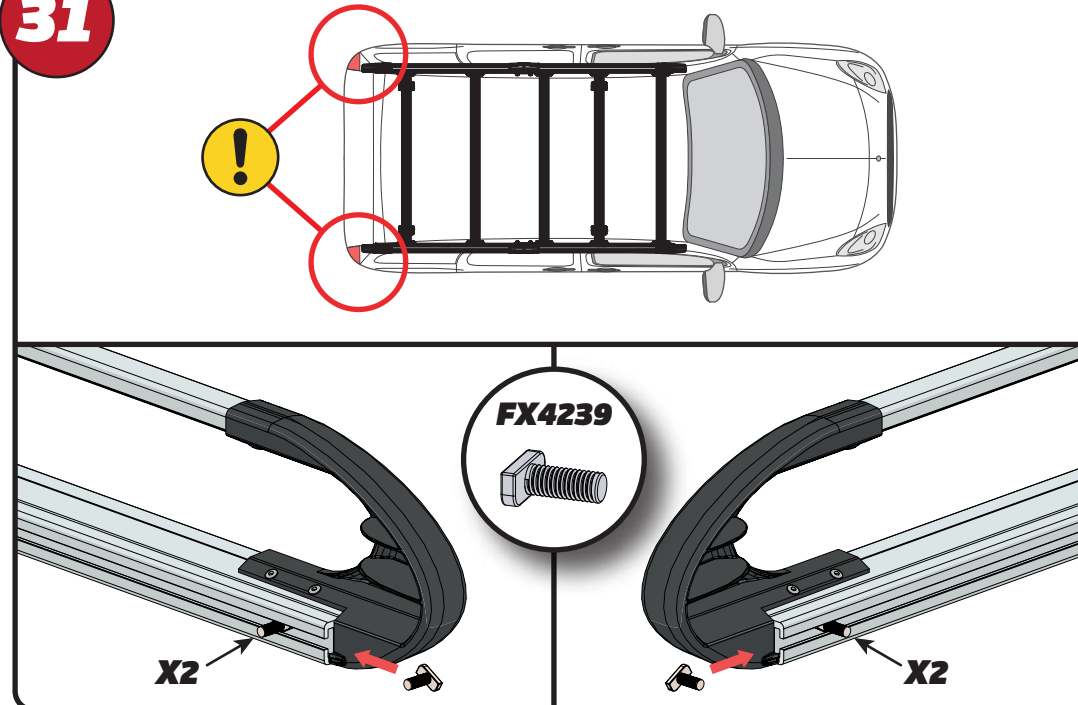
**28**

XXX =  
PAGE 2 OF 15

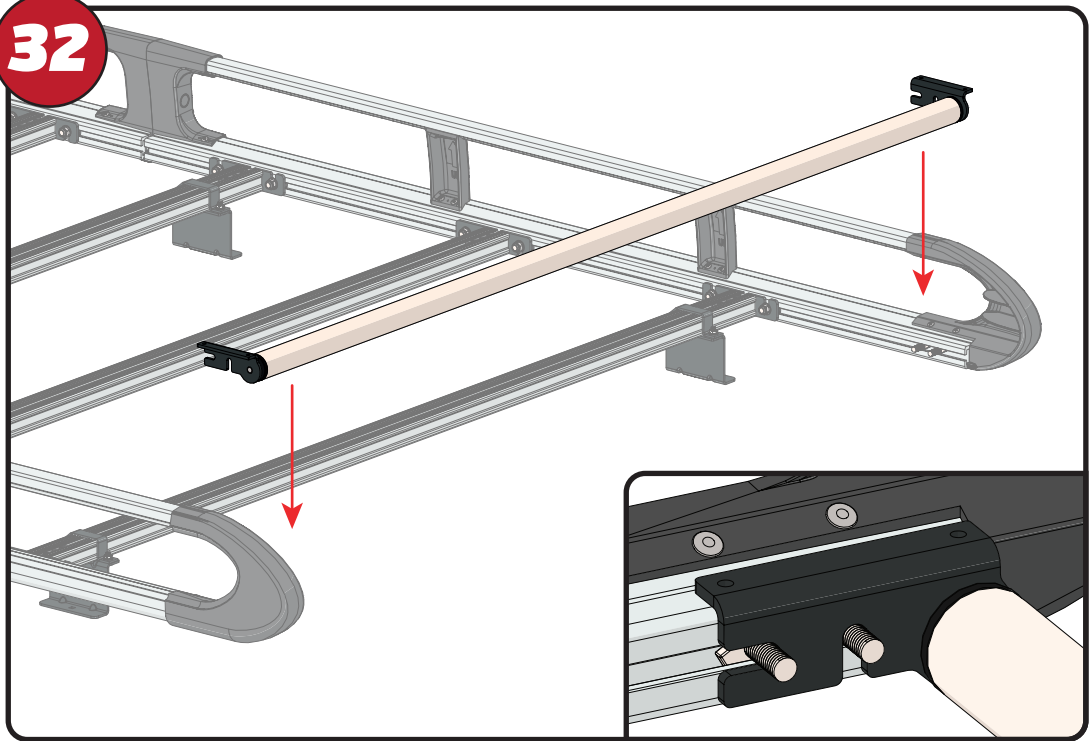
**29**

EN - TIGHTEN ALL OF THE CROSS BARS  
DE - ALLE QUERSTANGEN FESTZIEHEN  
FR - SERREZ TOUTES LES BARRES TRANSVERSALES  
NL - DRAAI ALLE DWARSBALK VAN HET DAK AAN  
ES - APRIETE TODAS LAS BARRAS TRANSVERSALES  
IT - STRINGERE TUTTE LE BARRE TRASVERSALI

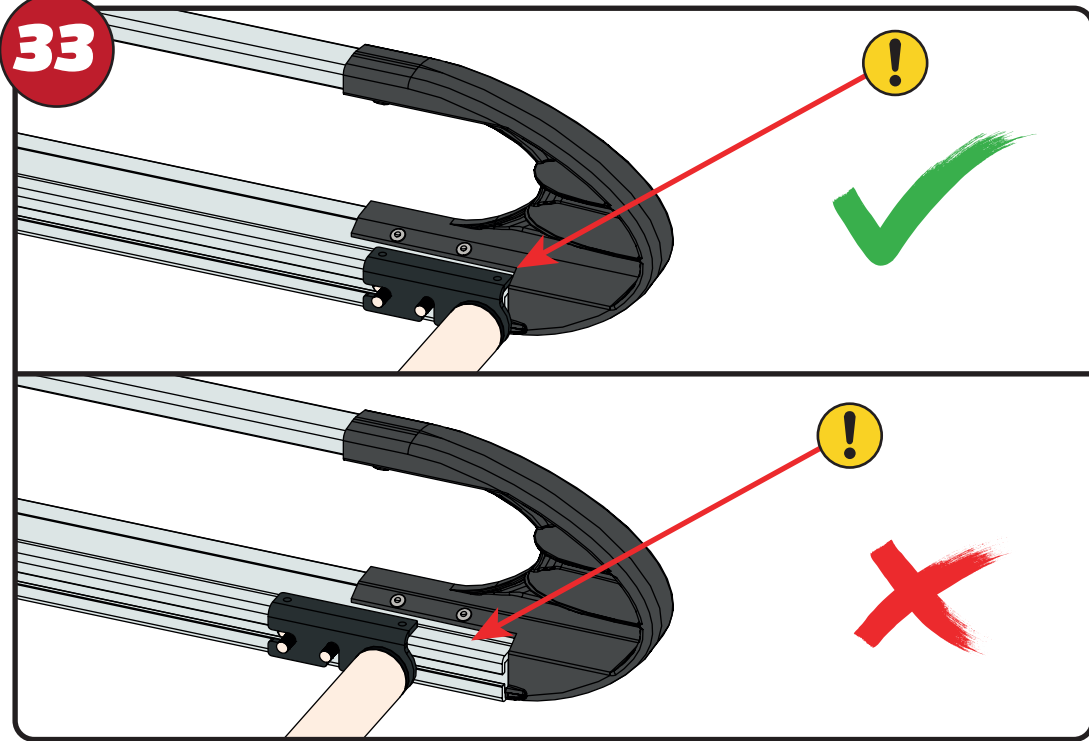
SV - SKRU UPP ALLA KORSSTANGAR  
DA - SKRU ALLE TAGBØJLER OP  
NO - SKRU OPP ALLE TVERRSTENGER  
PL - DOKRĘCIĆ WSZYSTKIE POPRZECZKI  
CS - VŠECHNY PŘÍČNÉ TYČE SEŠROUJTE

**30****31**

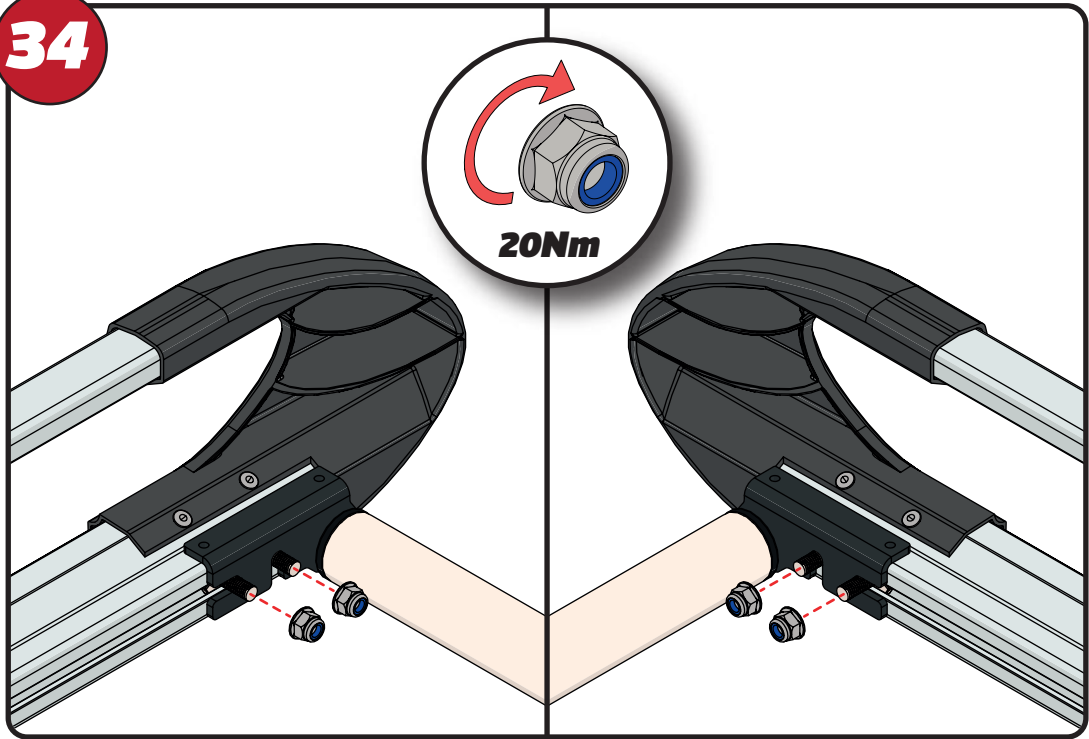
32



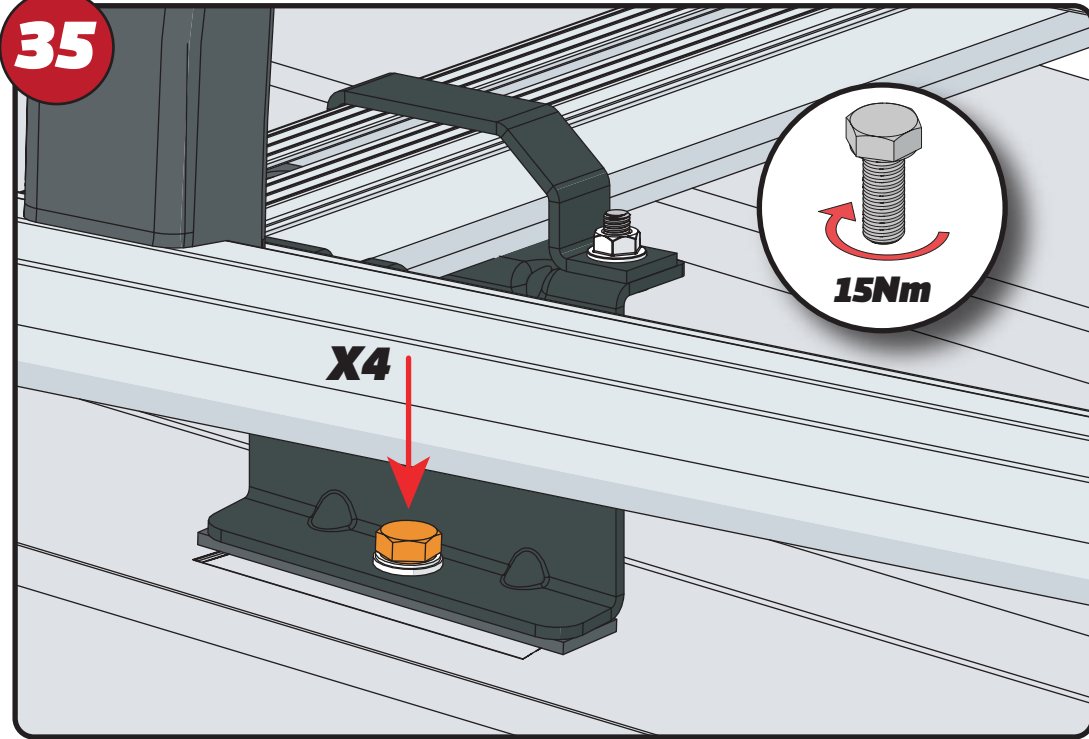
33



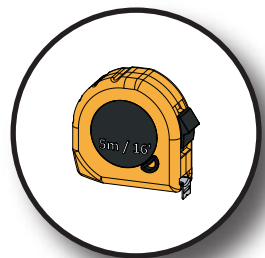
34



35

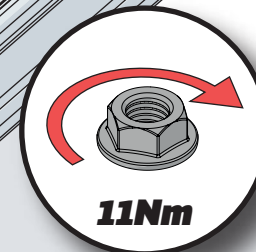
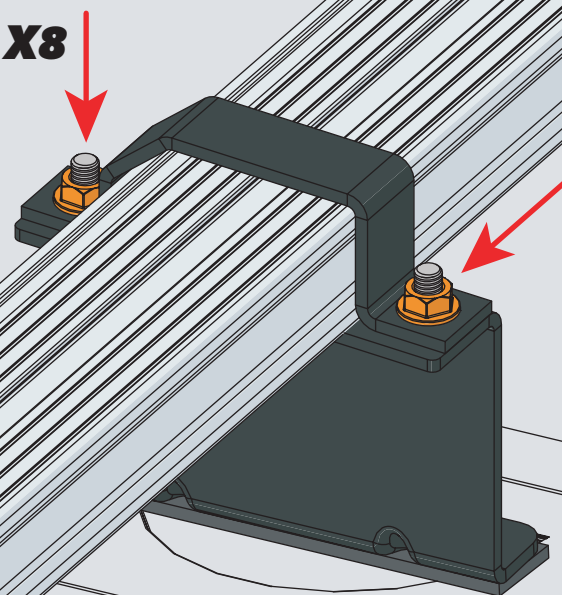


36



37

X8



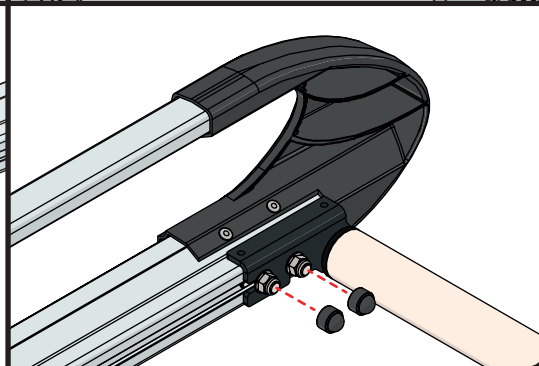
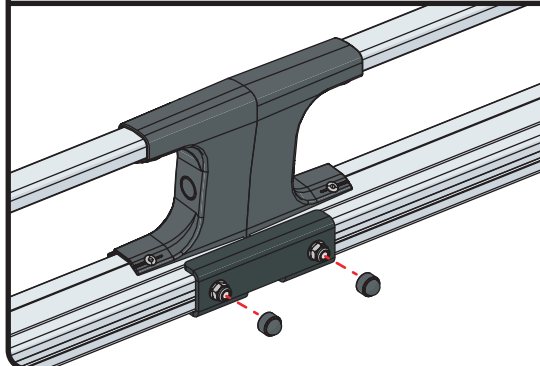
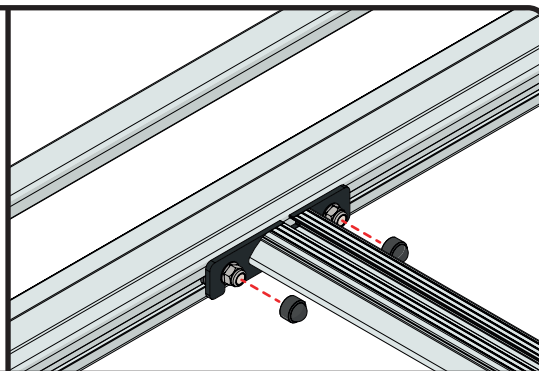
11Nm

38

FX4241

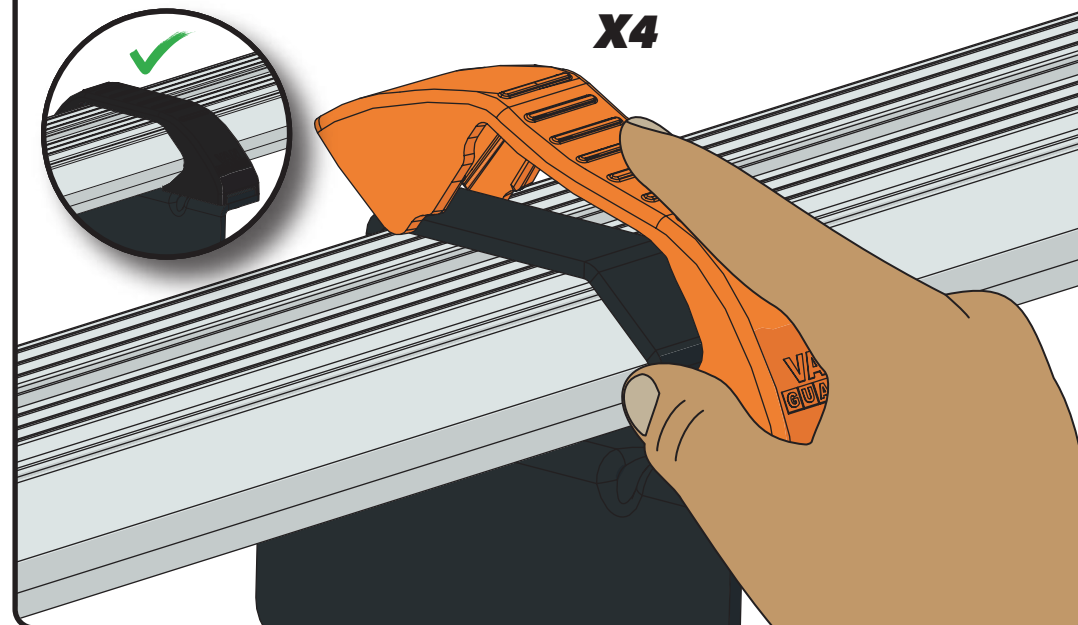


X28

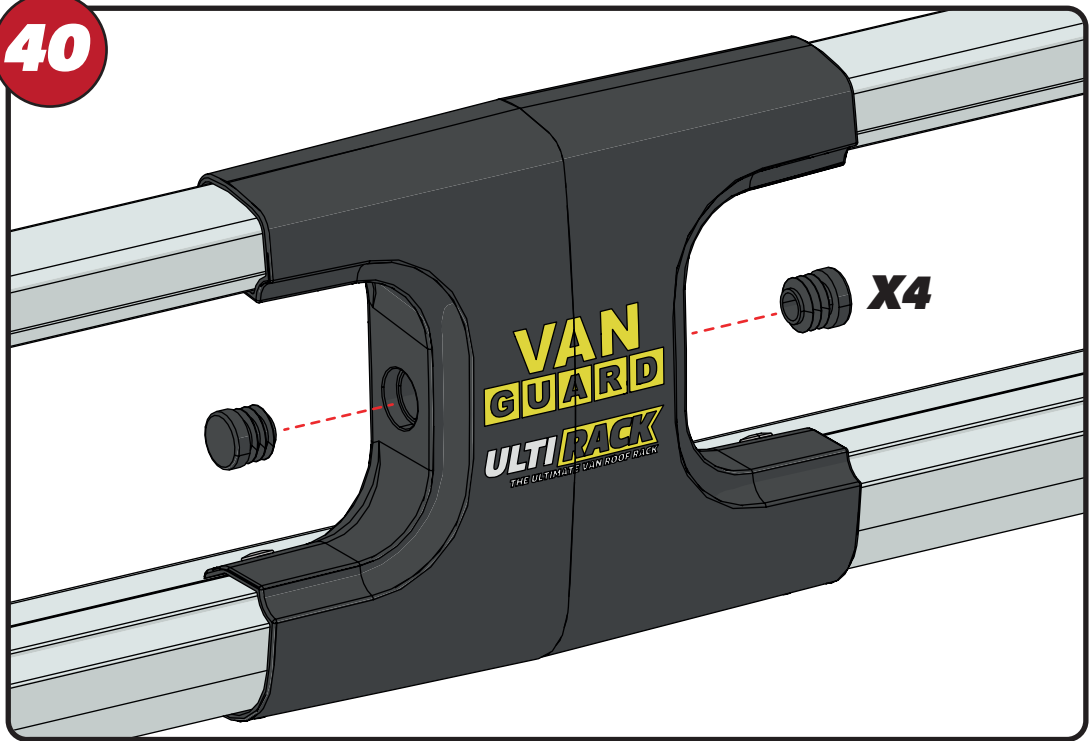


39

X4



40



41

