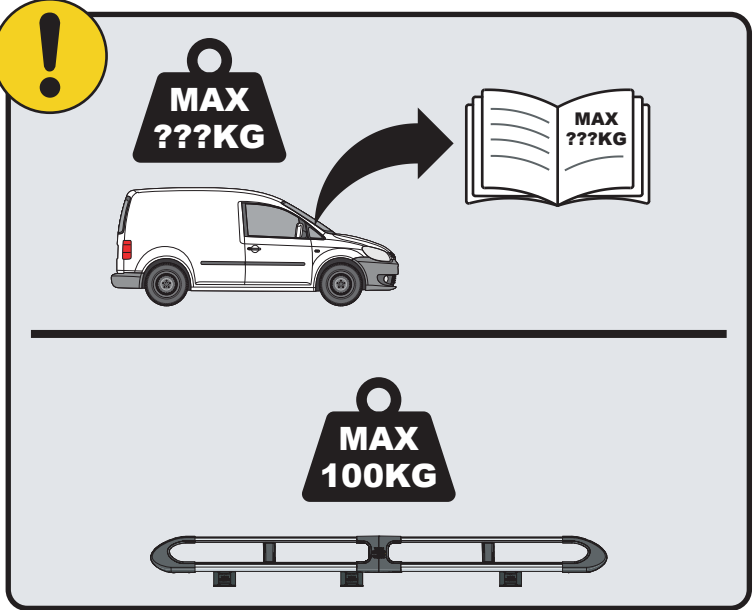
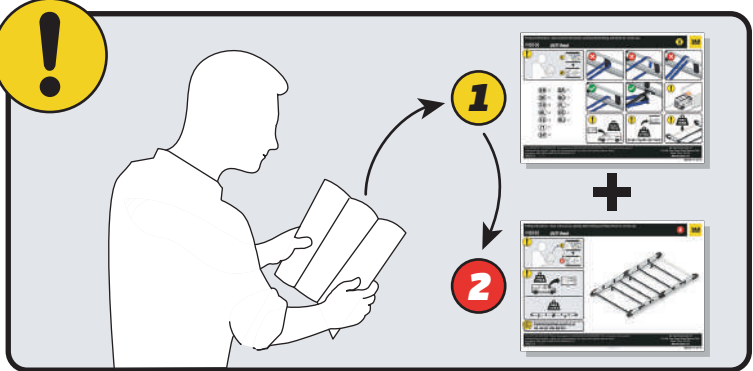


# IN8317

## ULTI Rack+



 [Customercare@van-guard.co.uk](mailto:Customercare@van-guard.co.uk)  
UK +44 (0) 1392 368 351



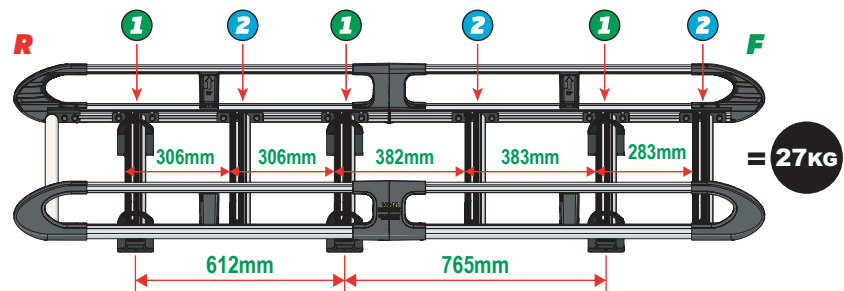
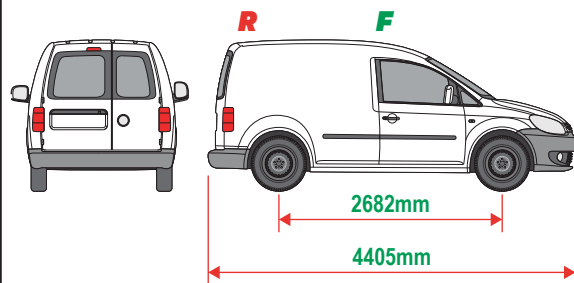
This FITTING INSTRUCTION is the property of VAN GUARD ACCESSORIES LTD. and must not be used for manufacturing purposes, copied nor communicated in any way to third parties without written permission from VAN GUARD ACCESSORIES LTD.  
IN8317\_A (CN:NR)

Van Guard Accessories Ltd  
Fair Oak Close, Exeter Airport Business Park,  
Exeter, Devon, EX5 2UL  
[www.van-guard.co.uk](http://www.van-guard.co.uk)

THIS INSTRUCTION COVERS THE FOLLOWING MODELS - CHECK YOU ARE FITTING THE CORRECT MODEL BEFORE PROCEEDING

## VGUR-246

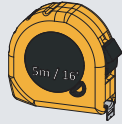
Volkswagen Caddy: 2010-2020  
L1H1 (SWB)  
Twin Rear Doors



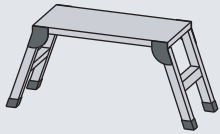
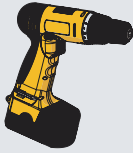
**SUPPLIED COMPONENTS - CHECK ALL PARTS ARE PRESENT AND CORRECT BEFORE PROCEEDING (1 OF 2)**

**TOOLS REQUIRED**

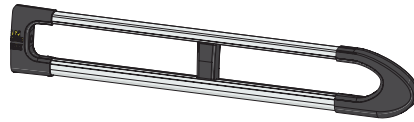
**10MM X1**



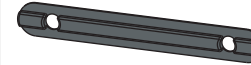
**13MM X1**



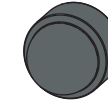
**AS3531 X2**  
(2000 / A)



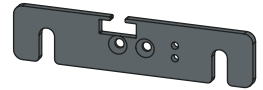
**MA6118 X12**



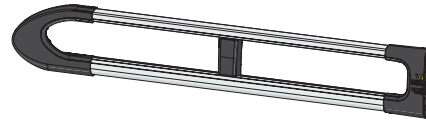
**FX4241 X28**



**ME1622 X3**



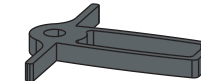
**AS3530 X2**  
(2000 / B)



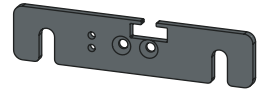
**FX4008 X1**



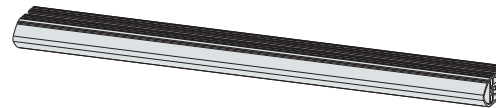
**MA6145 X1**



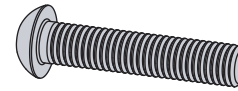
**ME1623 X3**



**ME1626 X6**  
(1264mm)



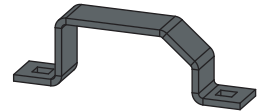
**FX4001 X2**  
(M8X40)



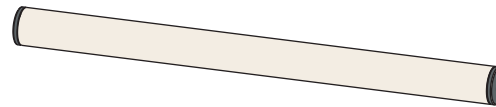
**FX4235 X24**  
(M5X25)



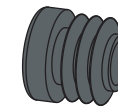
**ME0203 X6**



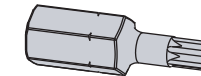
**AS3158 X1**  
(1250mm)



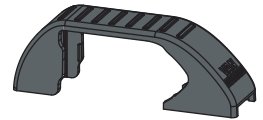
**MA6007 X4**



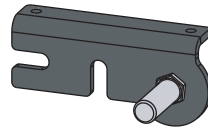
**FX4248 X1**  
(T25)



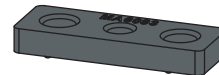
**MA6065 X6**



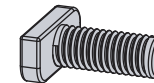
**AS3590 X1**



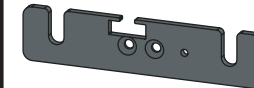
**MA6093 X12**



**FX4239 X28**  
(M8X20)



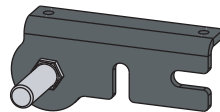
**ME1620 X3**



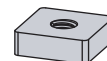
**FX4016 X12**  
(M6)



**AS3591 X1**



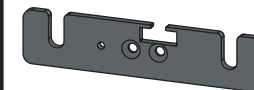
**ME0316 X12**



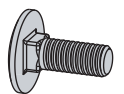
**FX4240 X28**  
(M8)



**ME1621 X3**

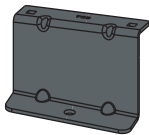


**FX4042 X12**  
(M6X16)



SUPPLIED COMPONENTS - CHECK ALL PARTS ARE PRESENT AND CORRECT BEFORE PROCEEDING (2 OF 2)

**ME0709 X1**

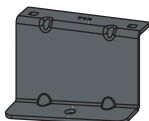


**FX4019 X6**

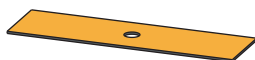
(M8)



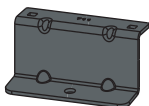
**ME0710 X1**



**MA6018 X6**



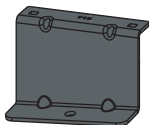
**ME0711 X2**



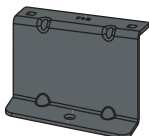
**MA6025 X6**



**ME0712 X1**

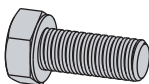


**ME0713 X1**



**FX4018 X6**

(M8X20)



01

1L



X3

1R



X3



2L



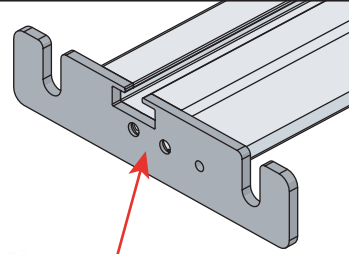
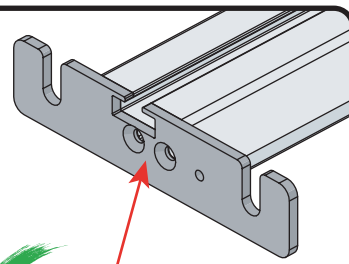
X3

2R



X3

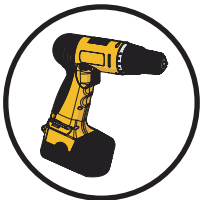
02



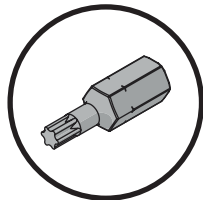
03

01

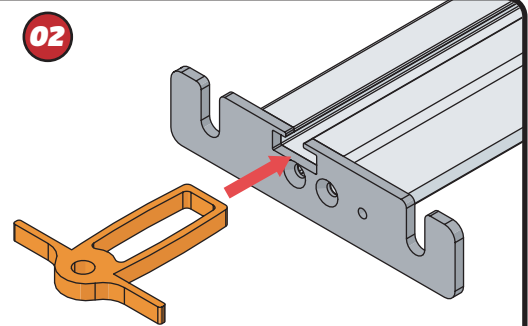
FX4248



+



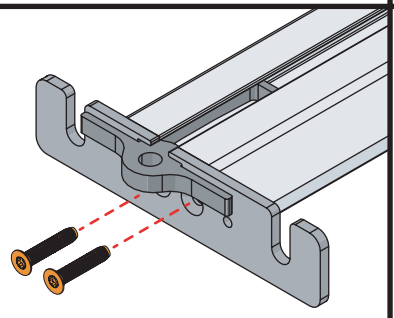
02



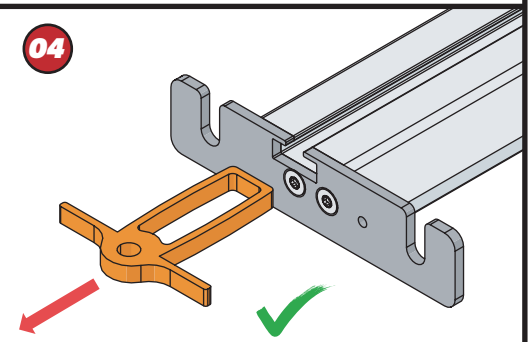
03



11Nm



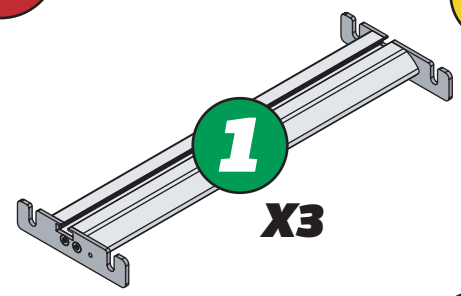
04



04

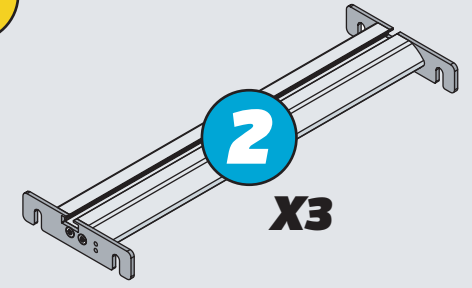


1

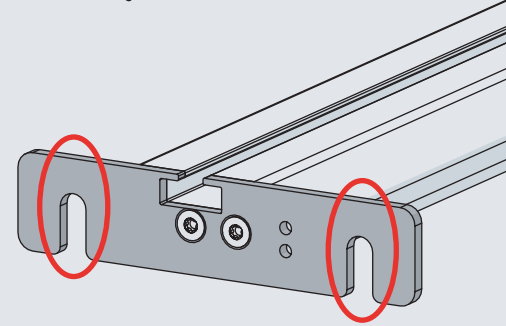
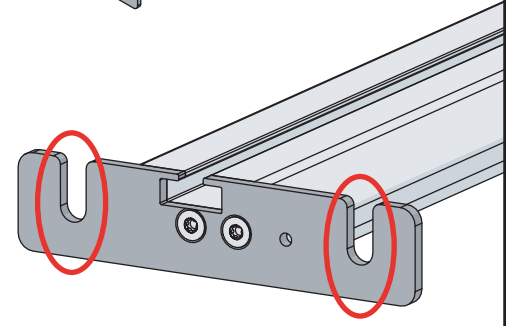


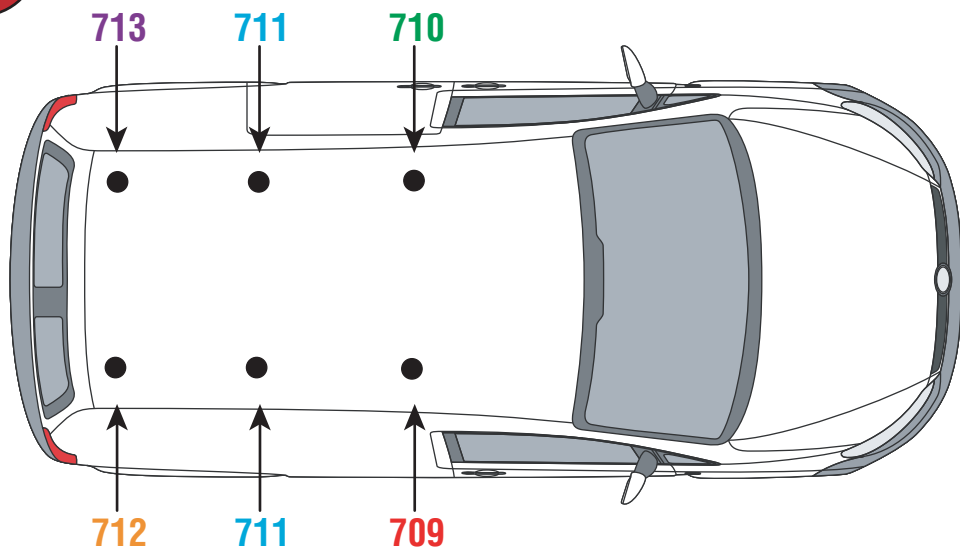
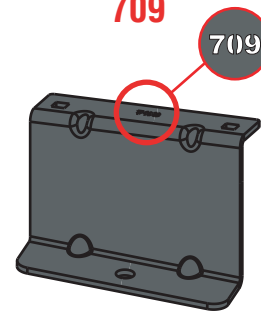
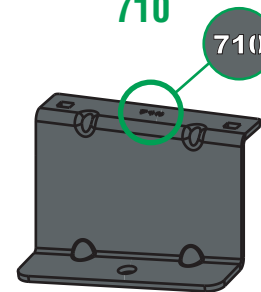
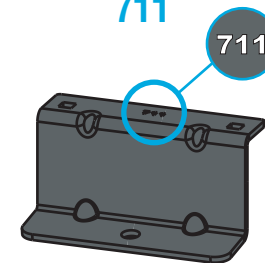
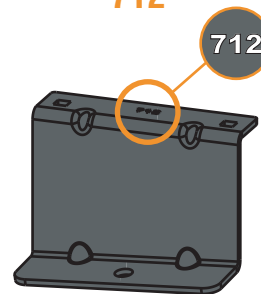
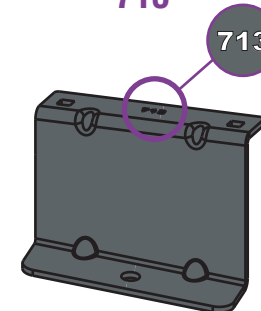
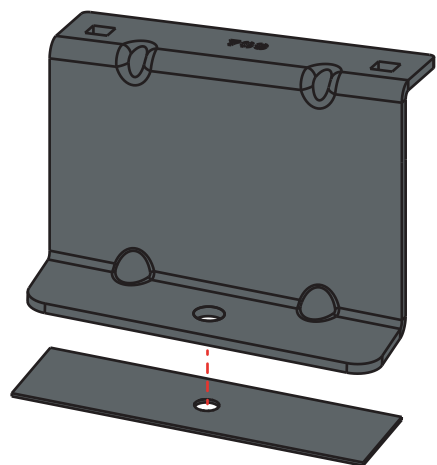
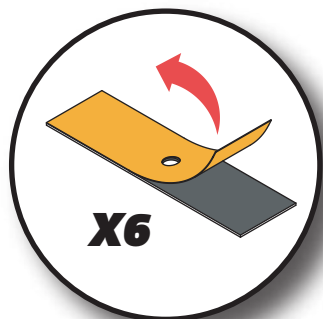
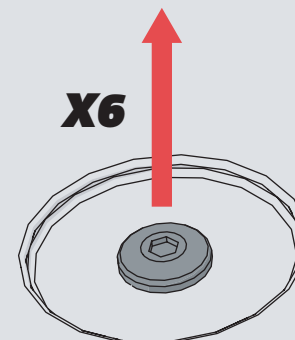
X3

2



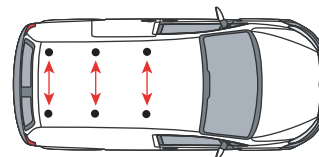
X3

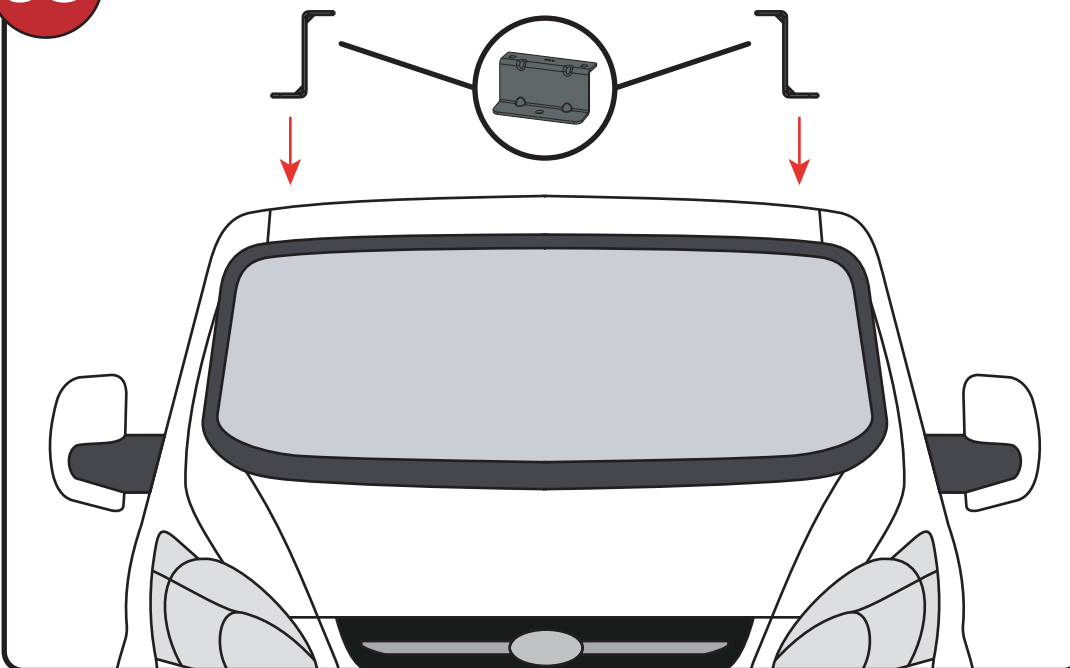
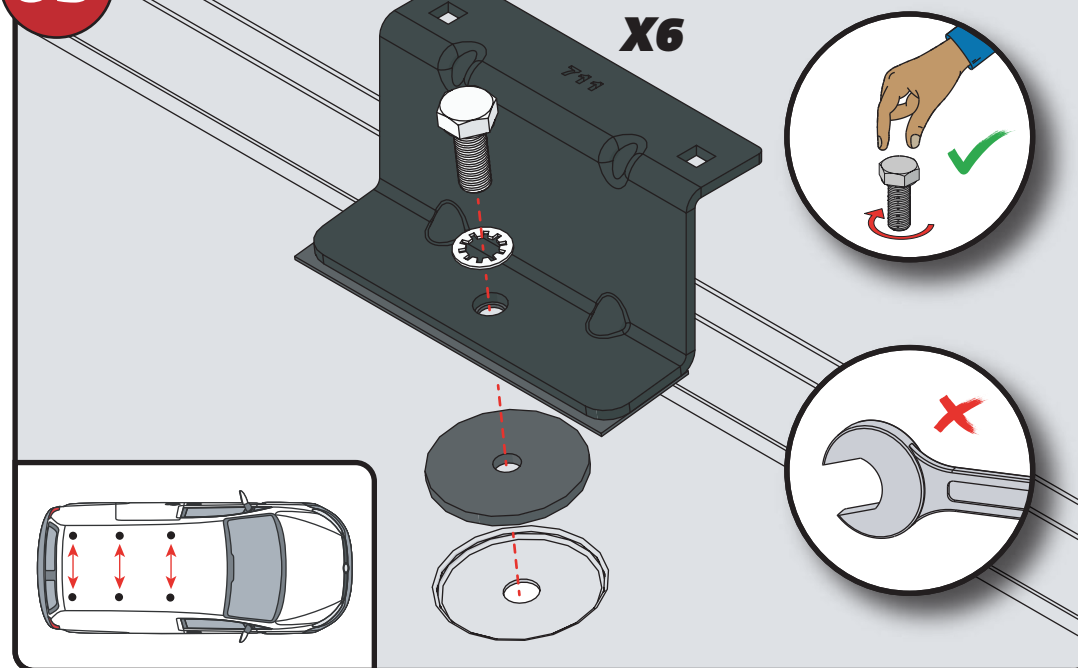
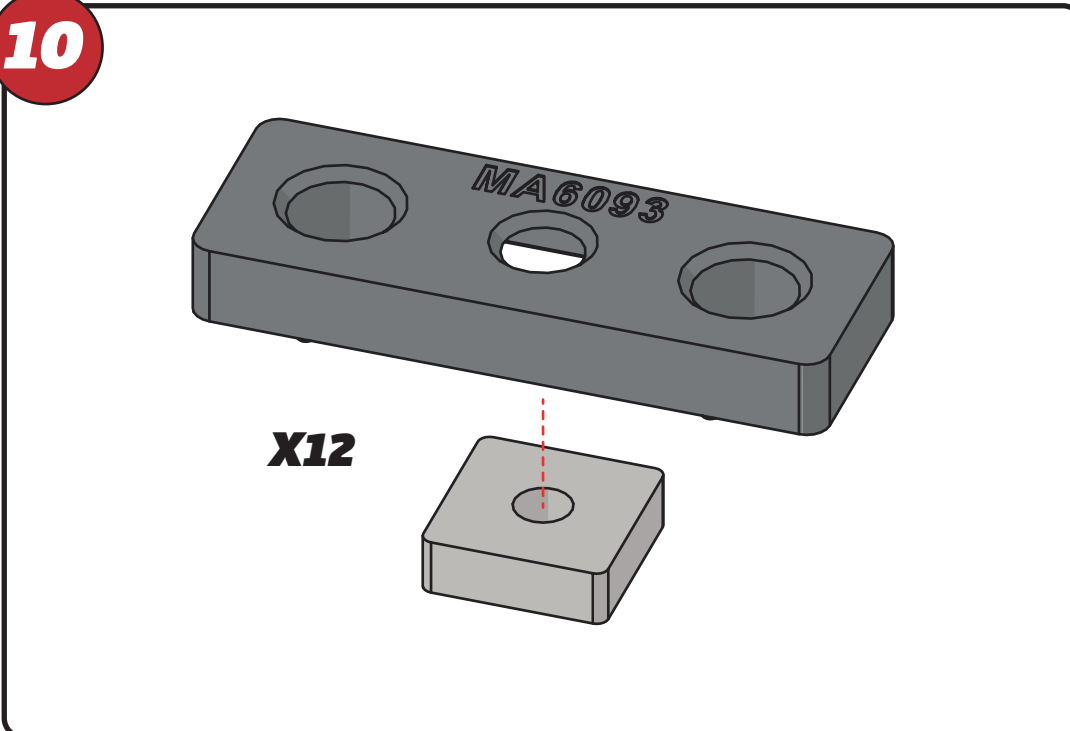
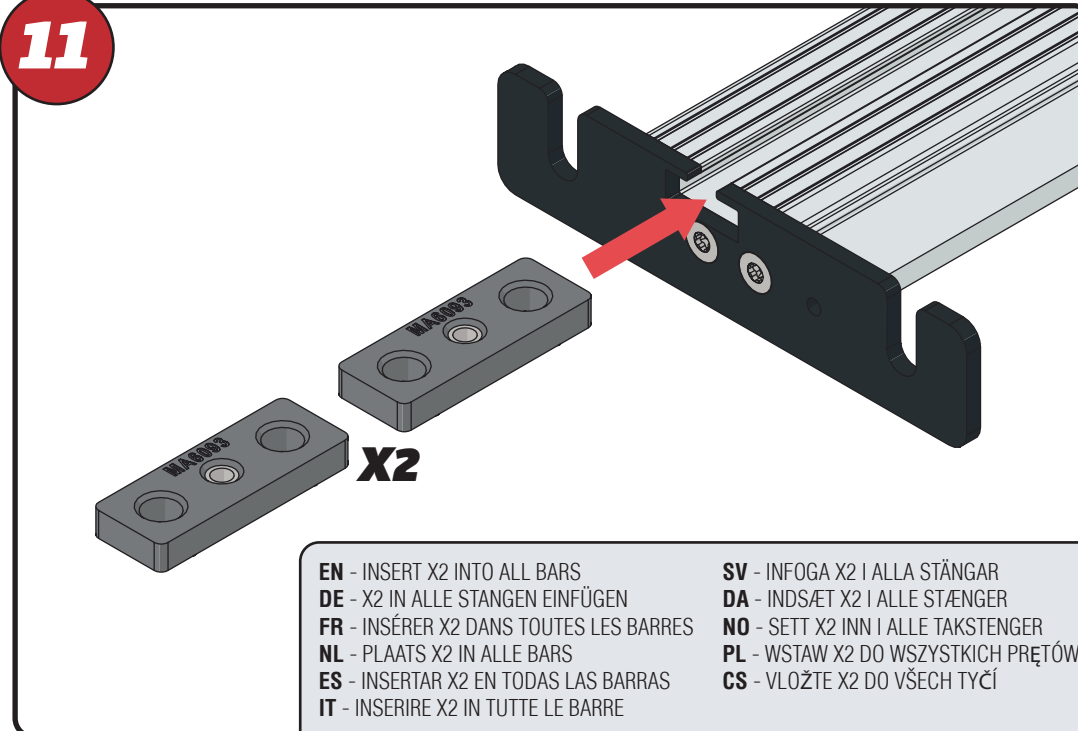


**05****709****710****711****712****713****06****07****X6****FX4008**

EN - STICK GASKETS TO ALL BRACKETS  
 DE - KLEBEN SIE DIE DICHTUNG AN ALLEN HALTERUNGEN  
 FR - COUSSINETS ADHÉSIFS À TOUS LES SUPPORTS  
 NL - PLAK PAKKING OP ALLE BEUGELS  
 ES - PEGA LAS ALMOHADILLAS A TODOS LOS SOPORTES  
 IT - ADESIVI GUARNIZIONI A TUTTE LE STAFFE

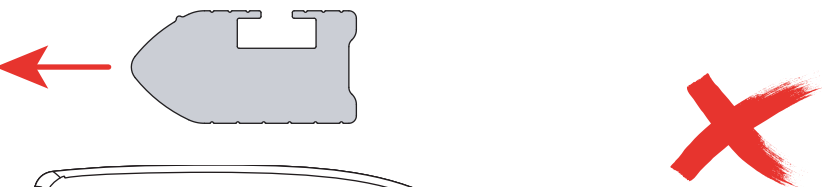
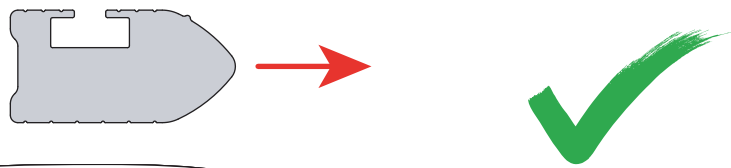
SV - FÄST GUMMI PÅ ALLA FÄSTEN  
 DA - KLÆB GUMMI PÅ ALLE BESLAG  
 NO - PLIST GUMMI PÅ ALLE BRAKKETER  
 PL - NAKLEJ USZCZELKI DO WSZYSTKICH WSPORNIKÓW  
 CS - PŘILEPTE TĚSNĚNÍ NA VŠECHNY DRŽÁKY



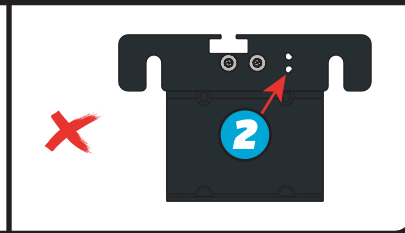
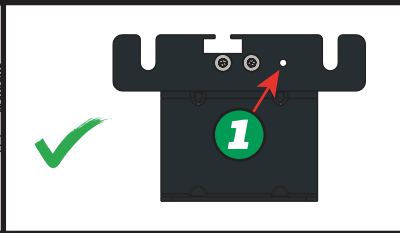
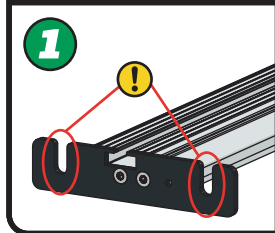
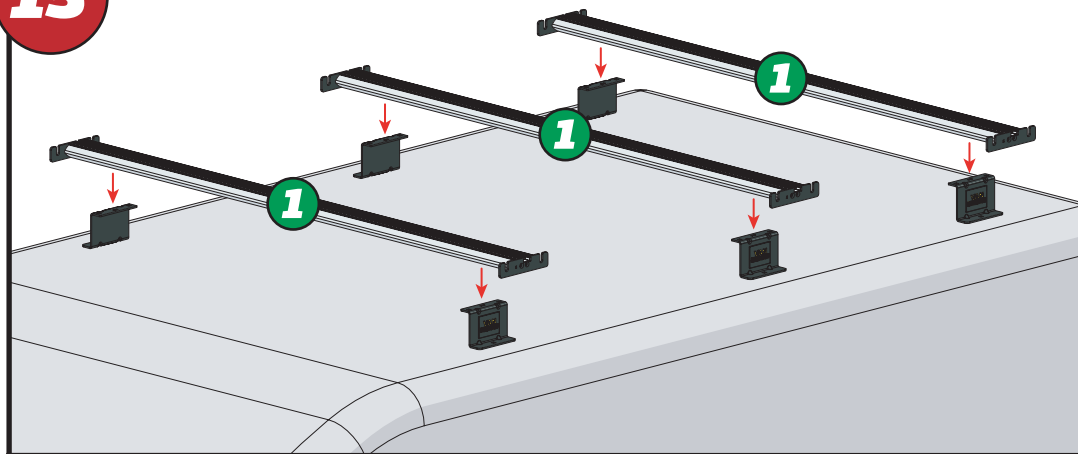
**08****09****10****11**

<b>EN</b> - INSERT X2 INTO ALL BARS	<b>SV</b> - INFOGA X2 I ALLA STÄNGAR
<b>DE</b> - X2 IN ALLE STANGEN EINFÜGEN	<b>DA</b> - INDSÆT X2 I ALLE STÆNGER
<b>FR</b> - INSÉRER X2 DANS TOUTES LES BARRES	<b>NO</b> - SETT X2 INN I ALLE TAKSTENGER
<b>NL</b> - PLAATS X2 IN ALLE BARS	<b>PL</b> - WSTAW X2 DO WSZYSTKICH PRĘTÓW
<b>ES</b> - INSERTAR X2 EN TODAS LAS BARRAS	<b>CS</b> - VLOŽTE X2 DO VŠECH TYČÍ
<b>IT</b> - INSERIRE X2 IN TUTTE LE BARRE	

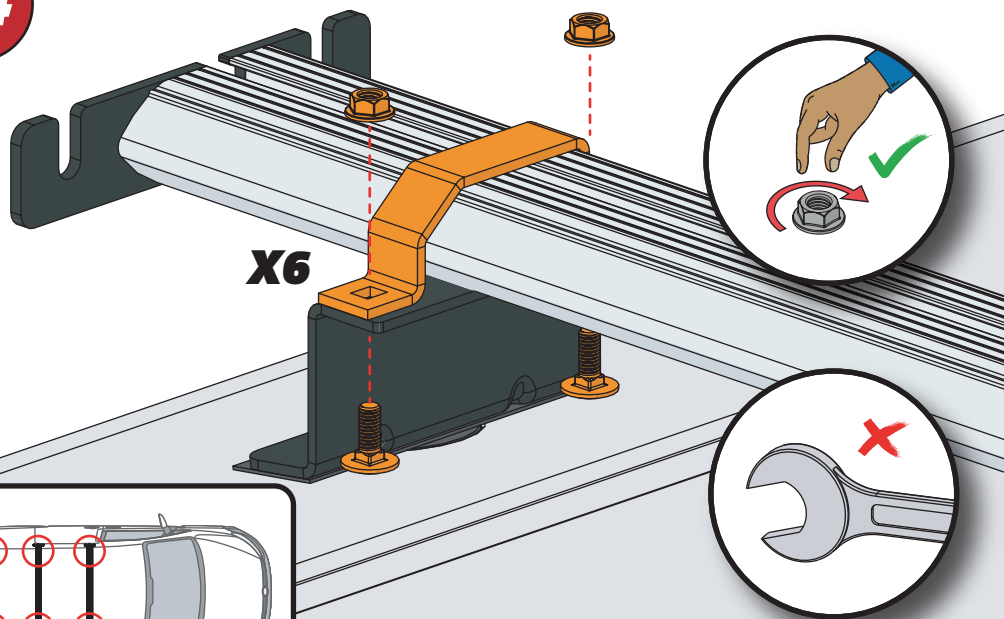
12



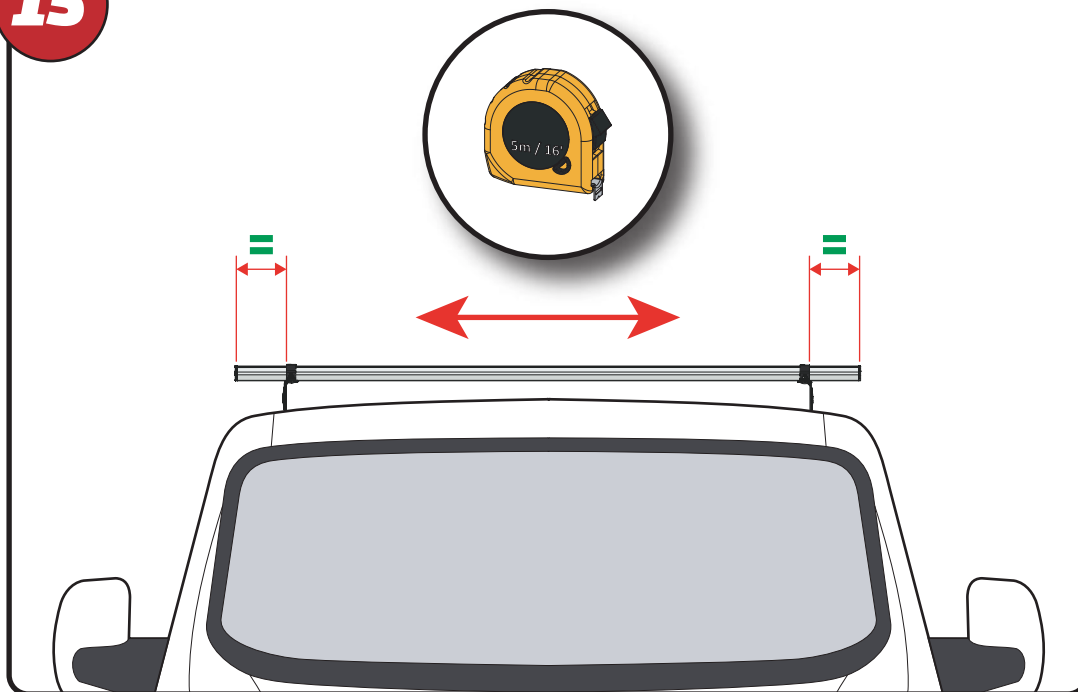
13



14



15

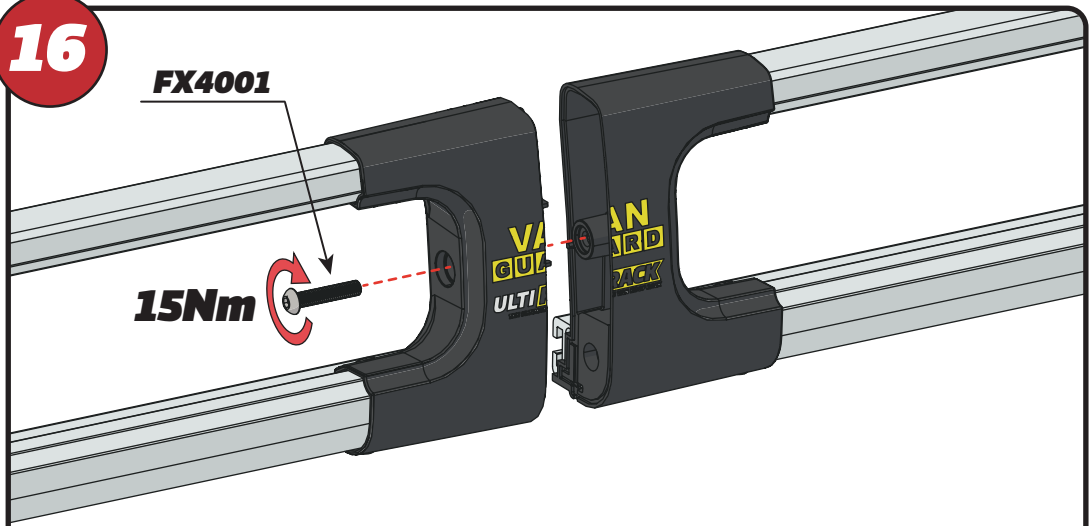




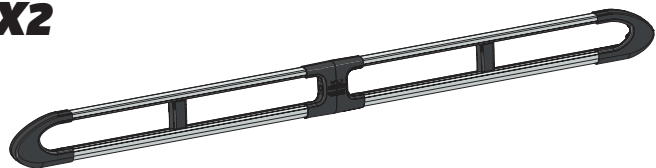
16

FX4001

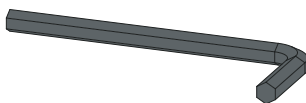
15Nm



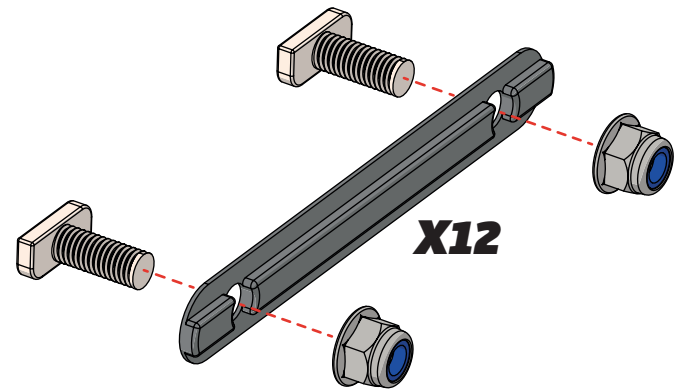
X2



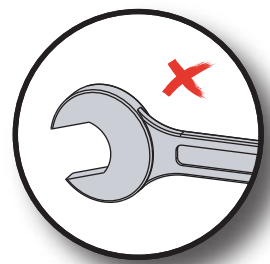
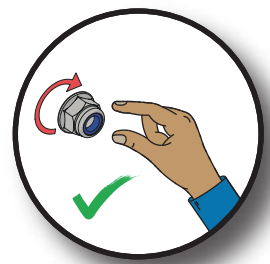
FX4008



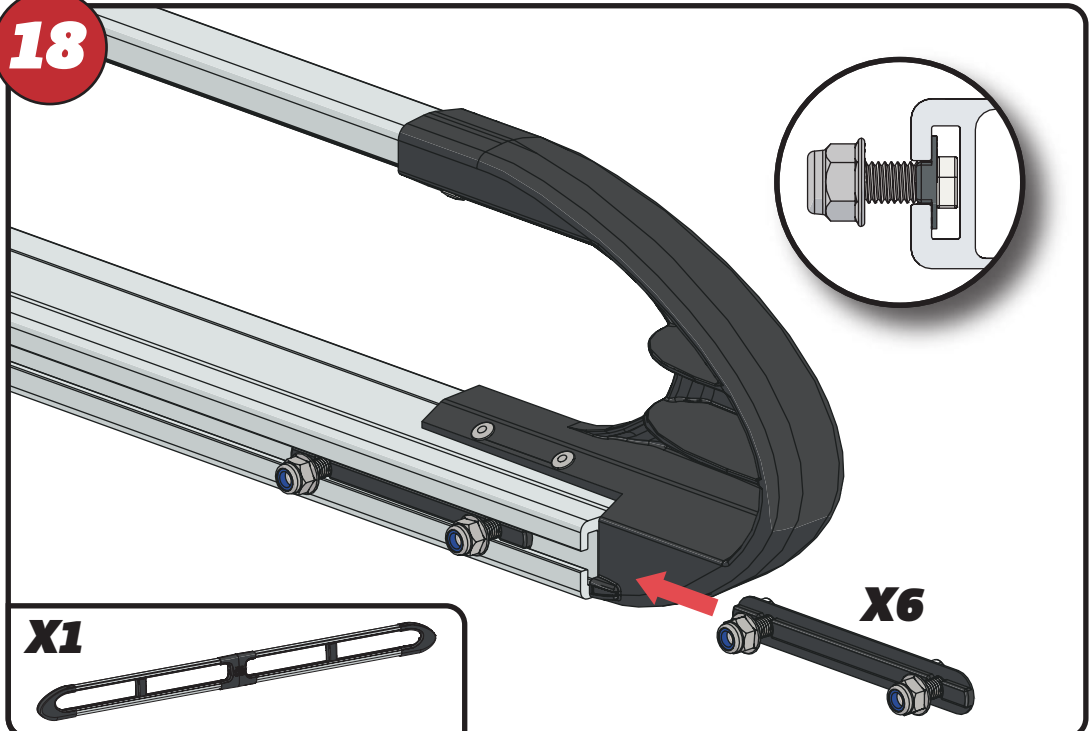
17



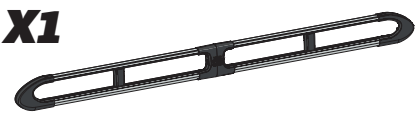
X12



18



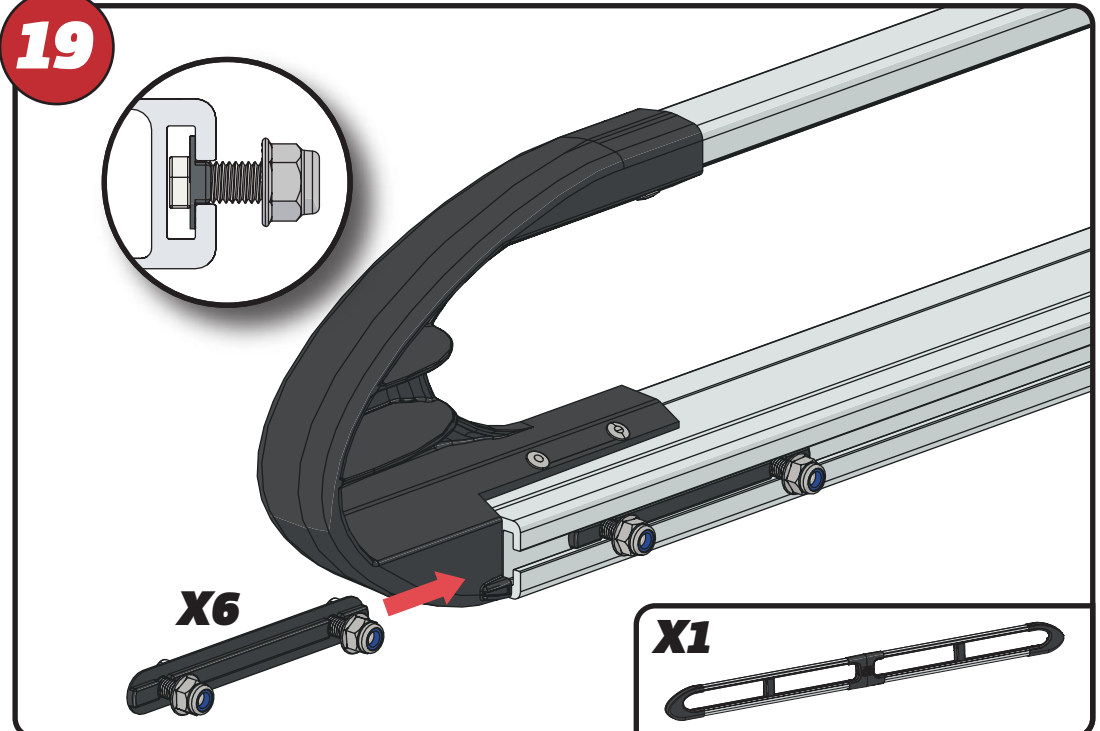
X1



X6



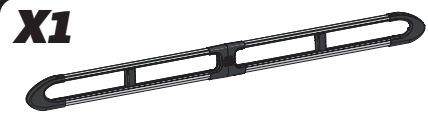
19



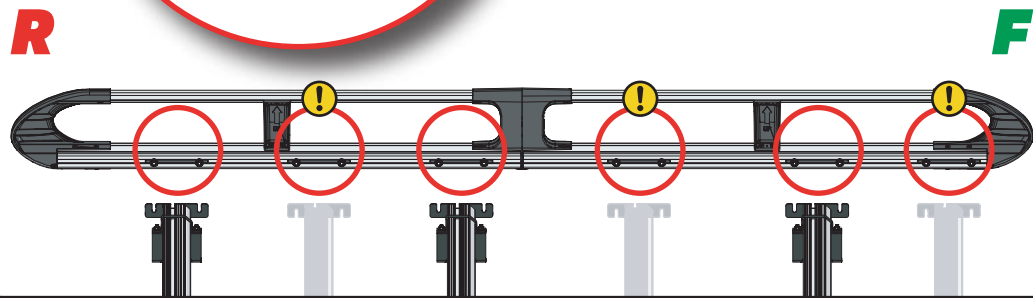
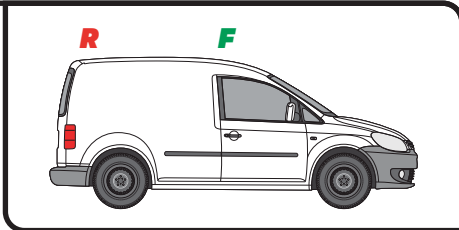
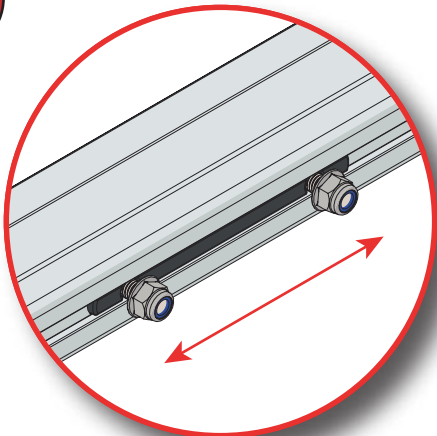
X6



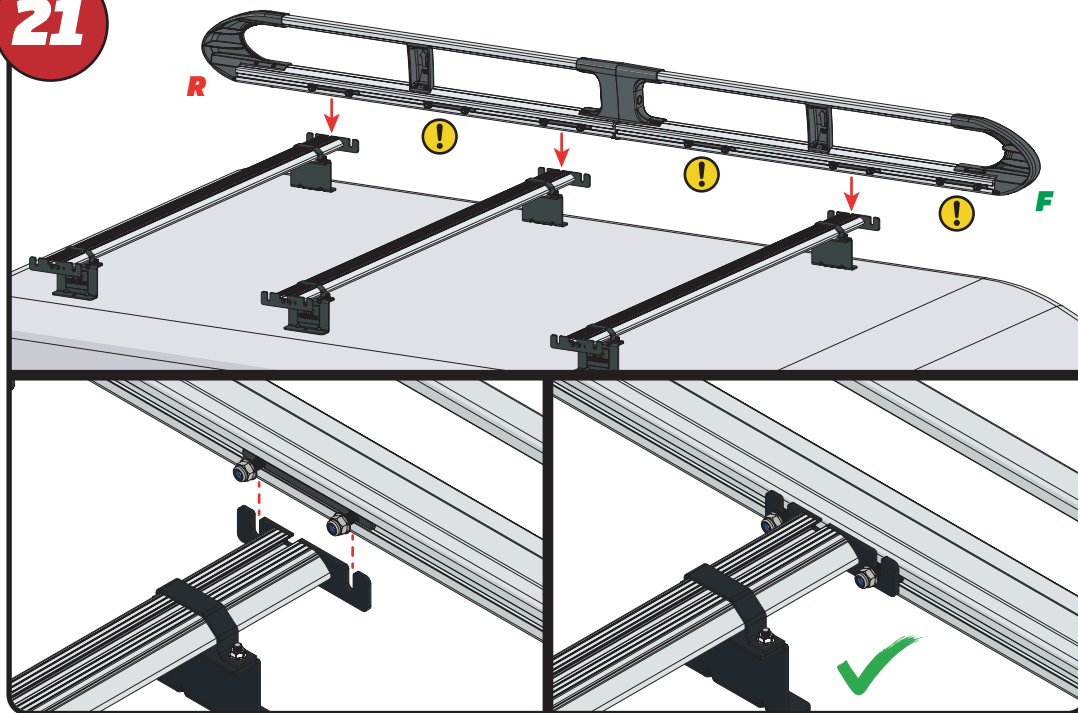
X1



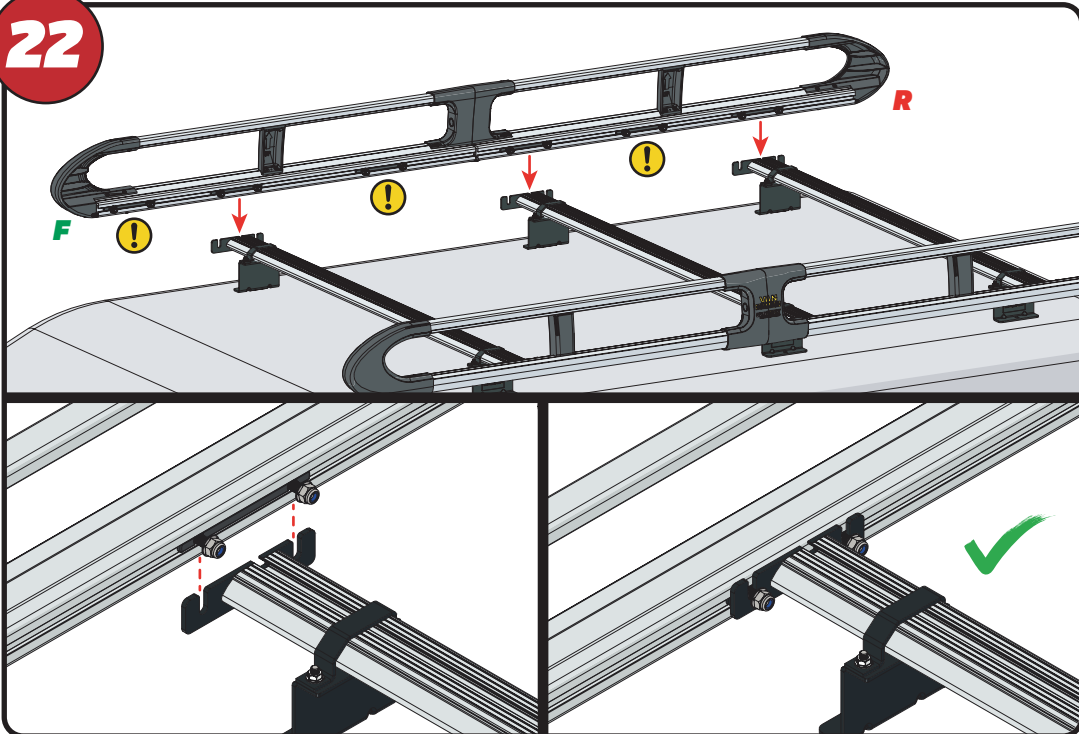
20



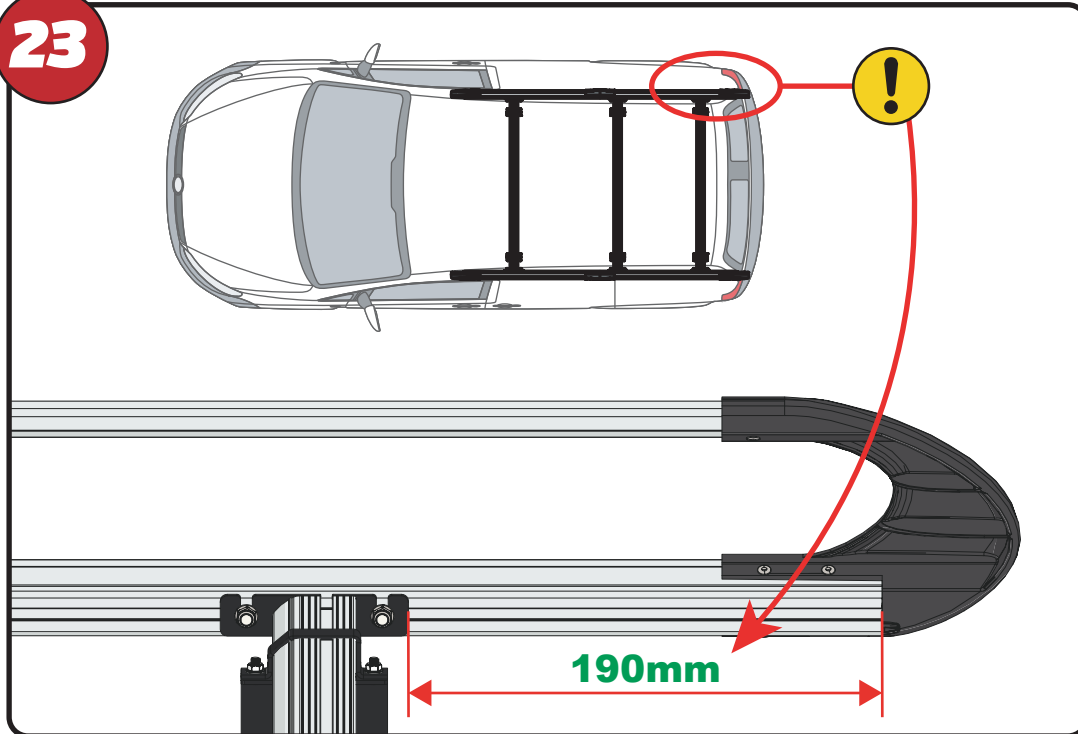
21

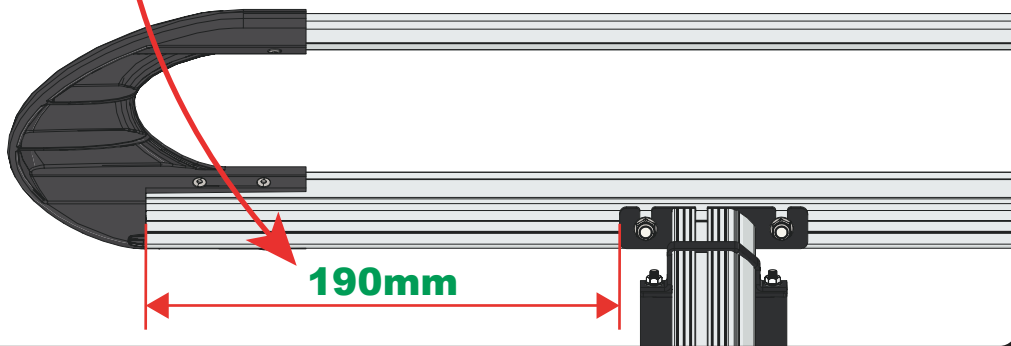
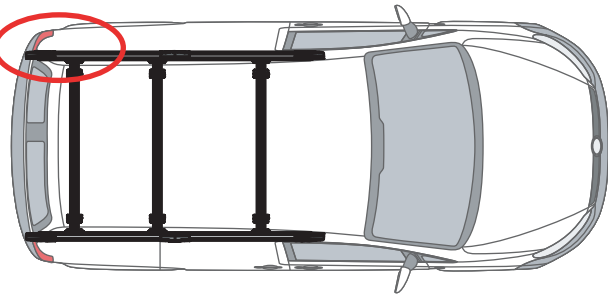
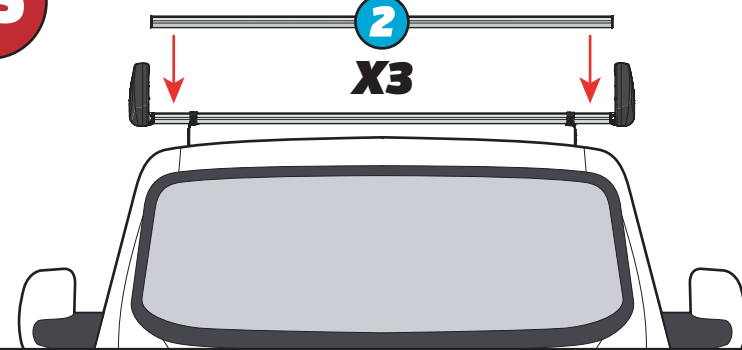
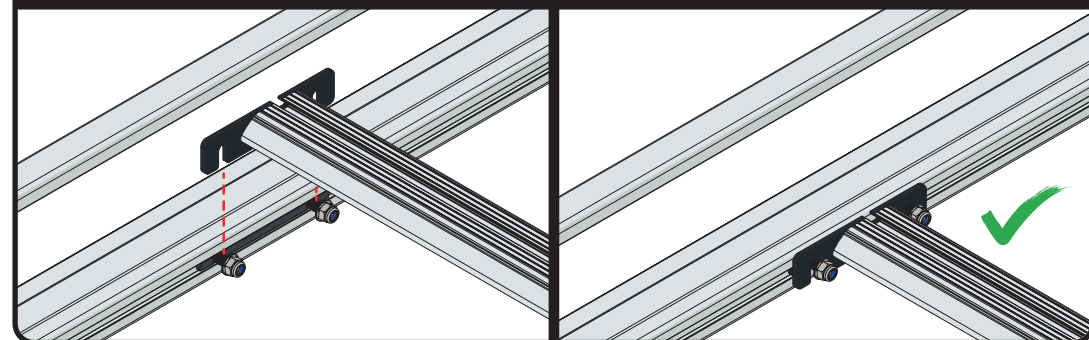
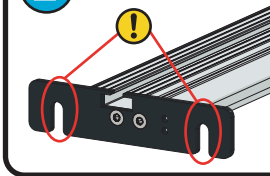
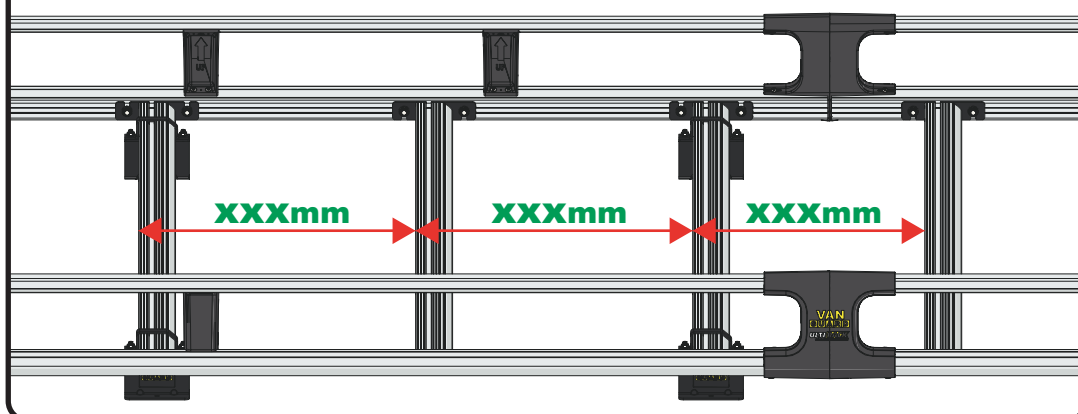
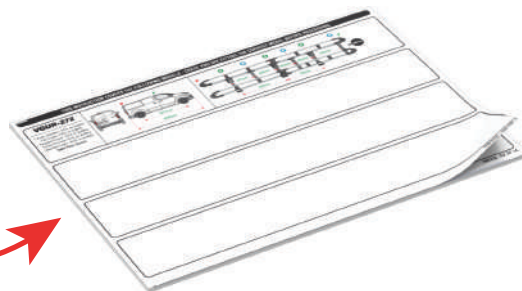
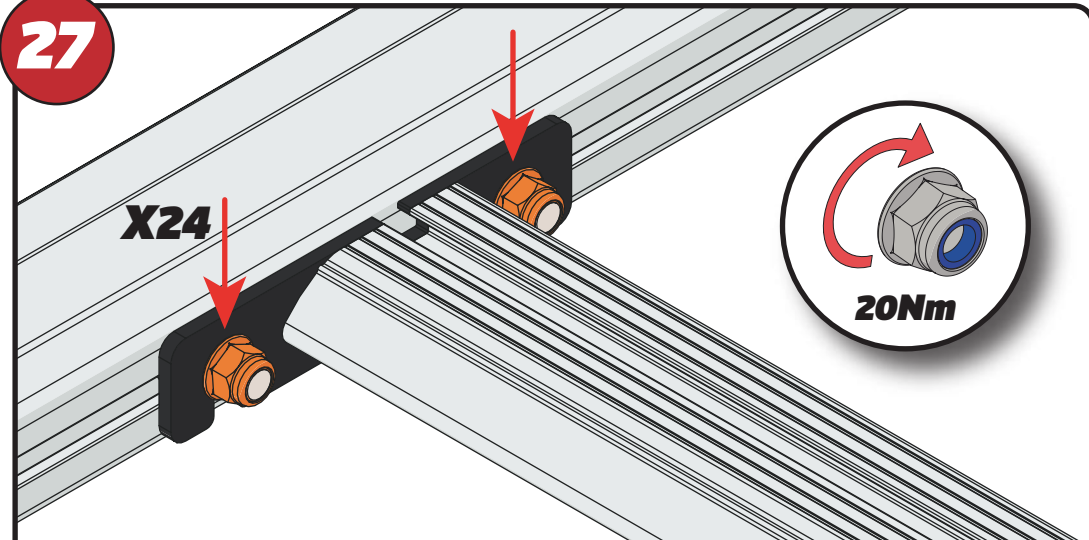


22



23

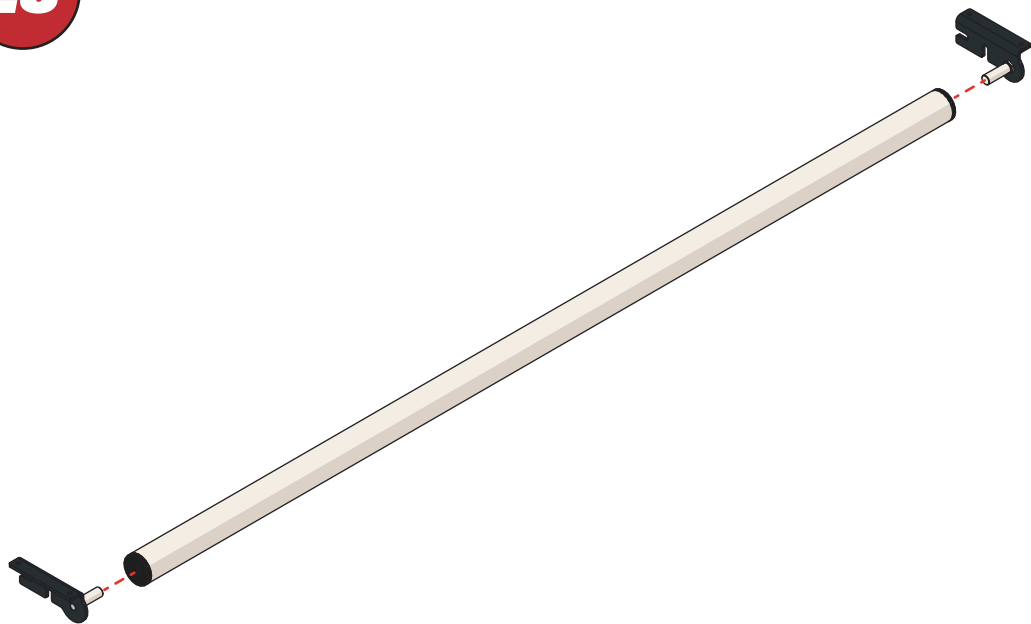


**24****25****2****X3****2****26**XXX =  
PAGE 2 OF 14**27****X24**

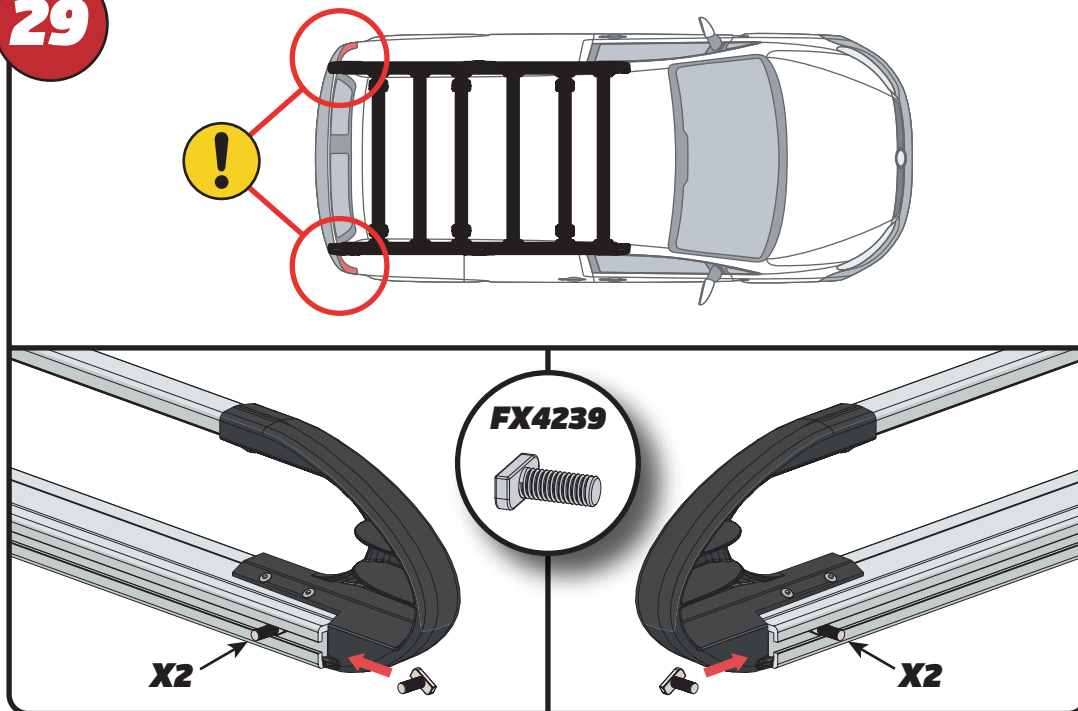
EN - TIGHTEN ALL OF THE CROSS BARS  
 DE - ALLE QUERSTANGEN FESTZIEHEN  
 FR - SERREZ TOUTES LES BARRES TRANSVERSALES  
 NL - DRAAI ALLE DWARSBALK VAN HET DAK AAN  
 ES - APRIETE TODAS LAS BARRAS TRANSVERSALES  
 IT - STRINGERE TUTTE LE BARRE TRASVERSALI

SV - SKRU UPP ALLA KORSSTANGAR  
 DA - SKRU ALLE TAGBØJLER OP  
 NO - SKRU OPP ALLE TVERRSTENGER  
 PL - DOKRĘCIĆ WSZYSTKIE POPRZECZKI  
 CS - VŠECHNY PŘÍČNÉ TYČE SEŠROUJTE

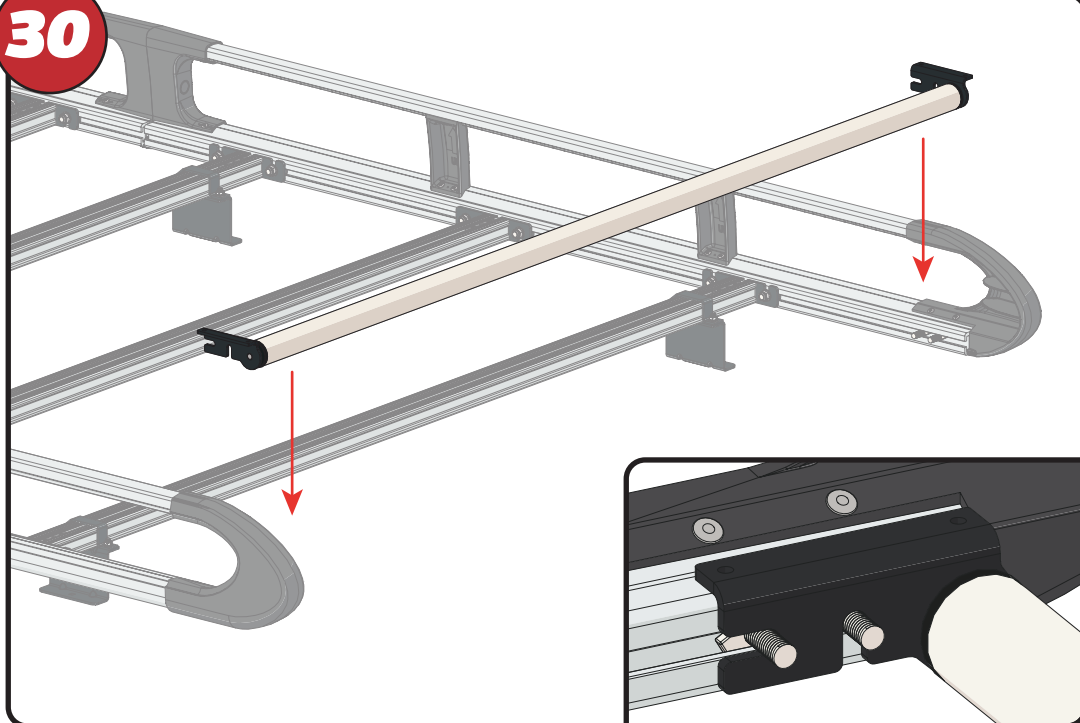
28



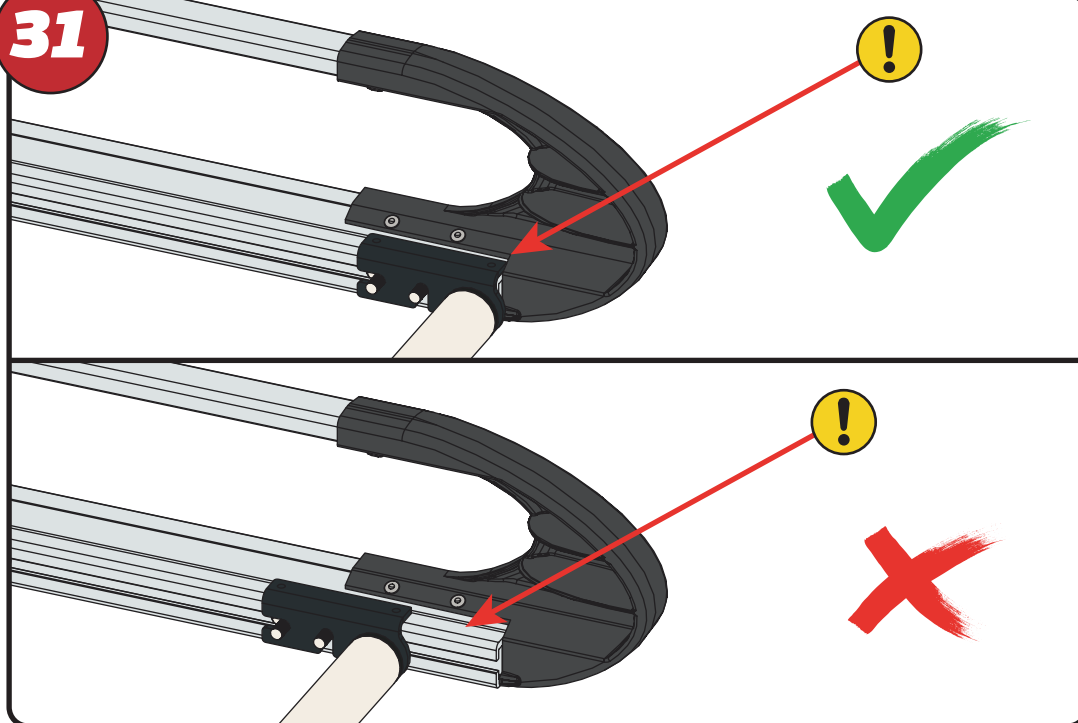
29



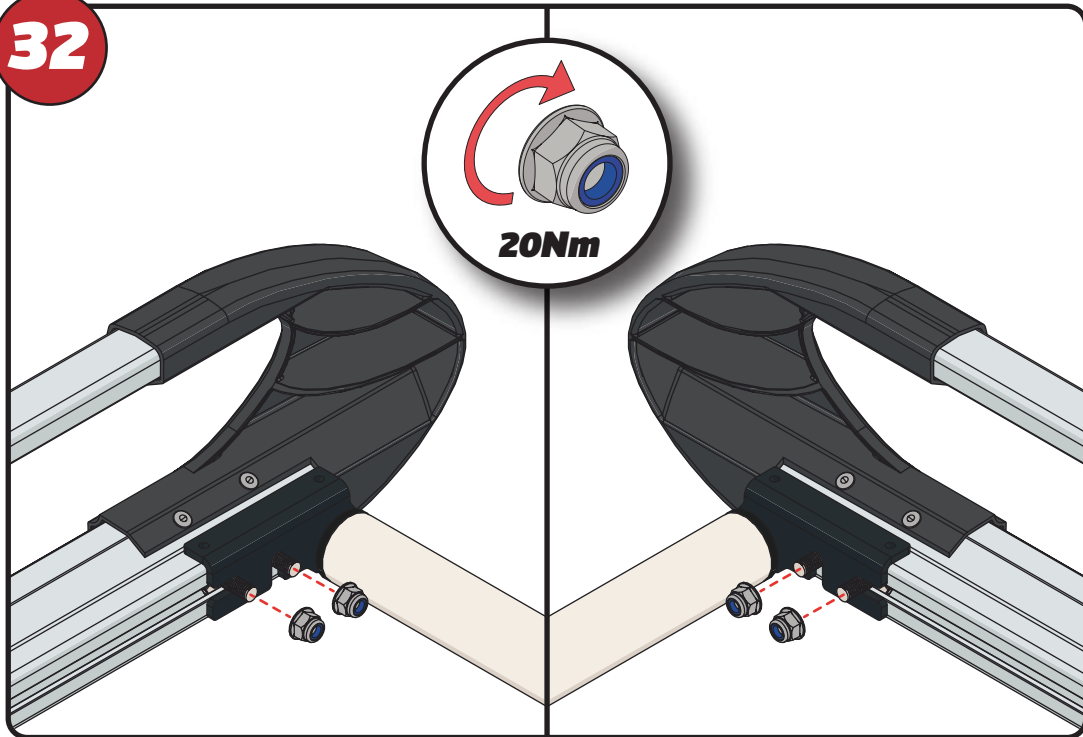
30



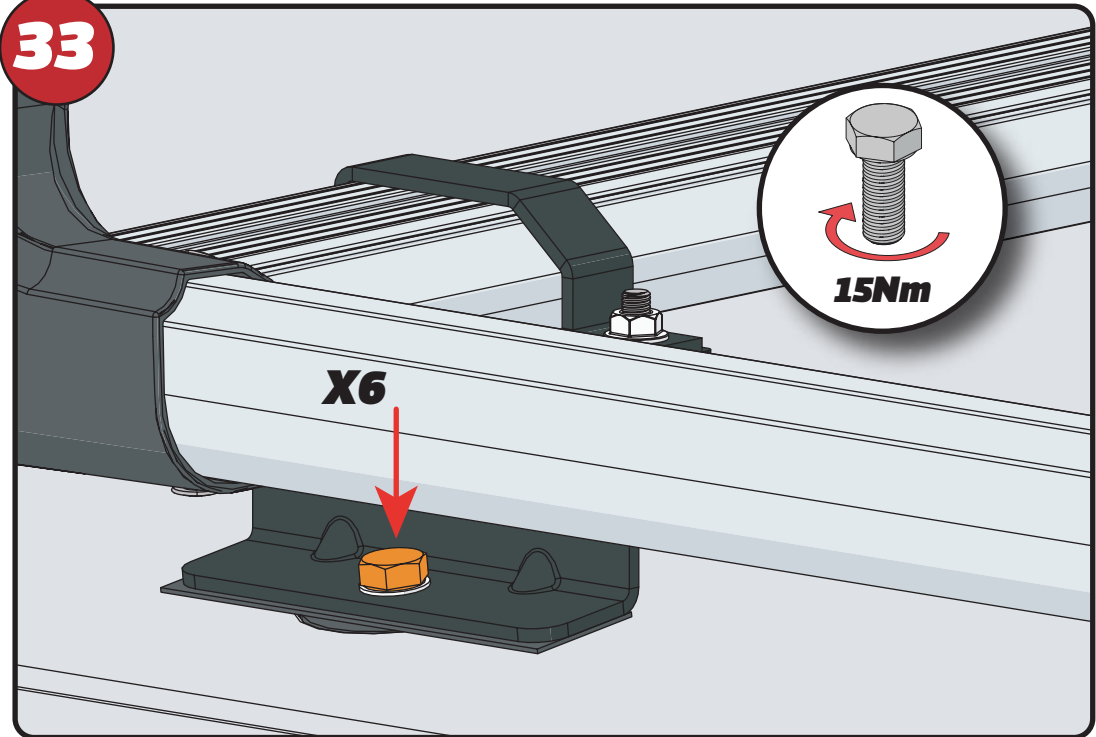
31



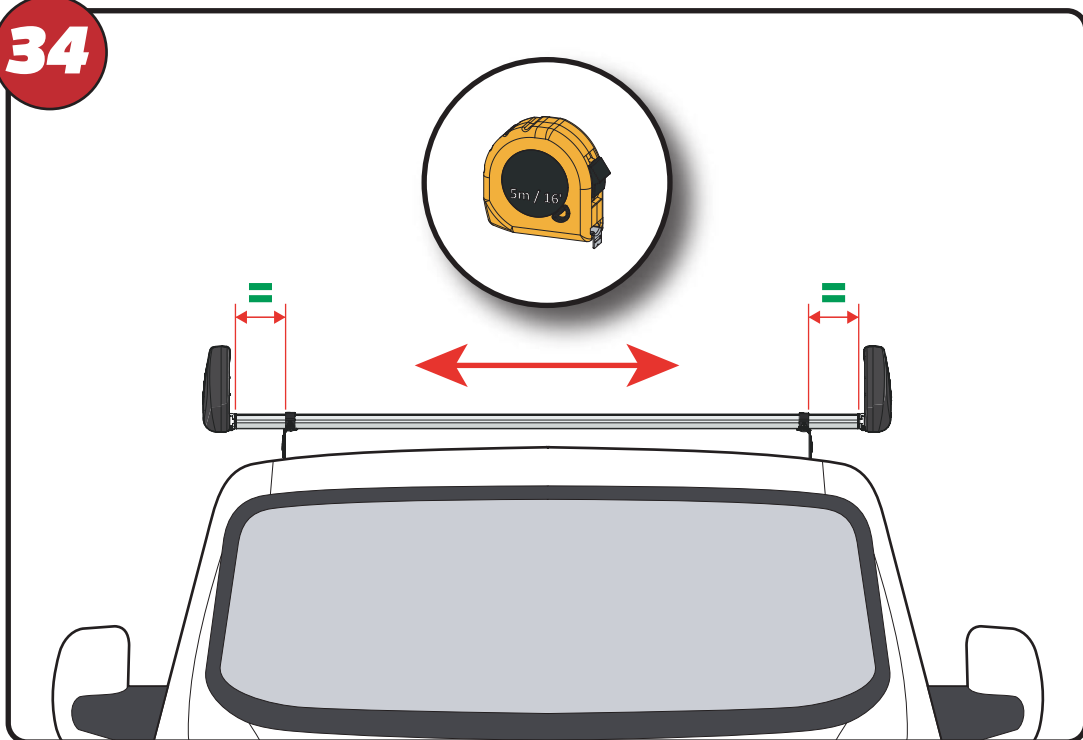
32



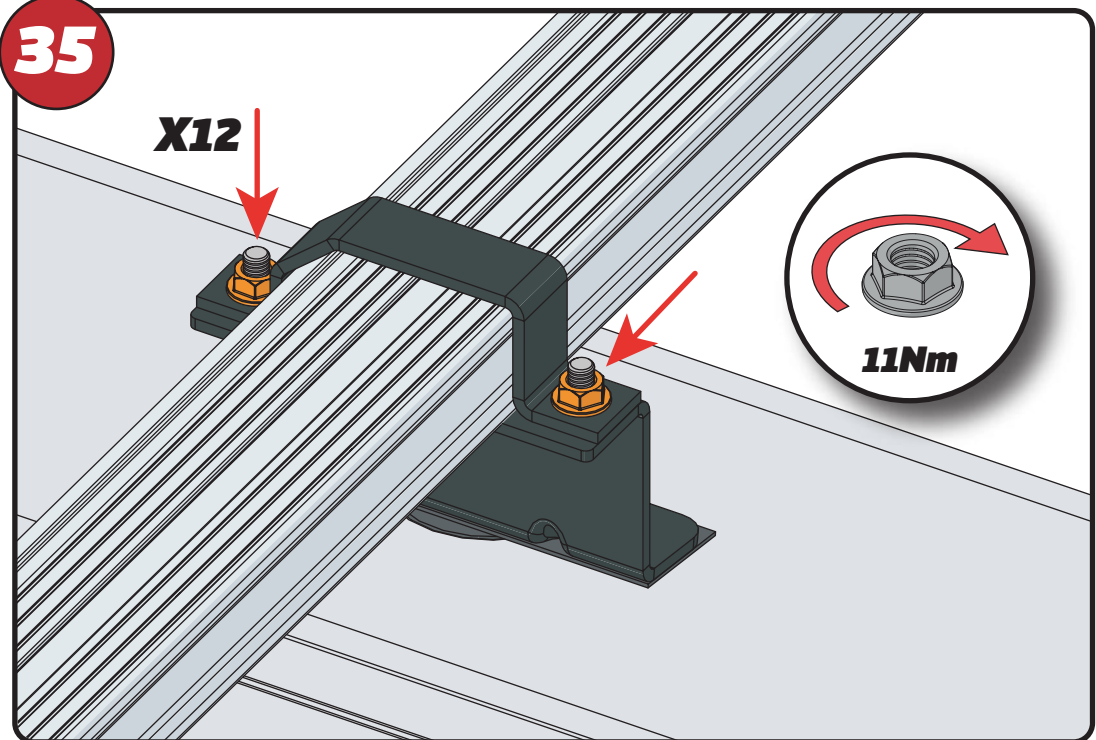
33



34



35

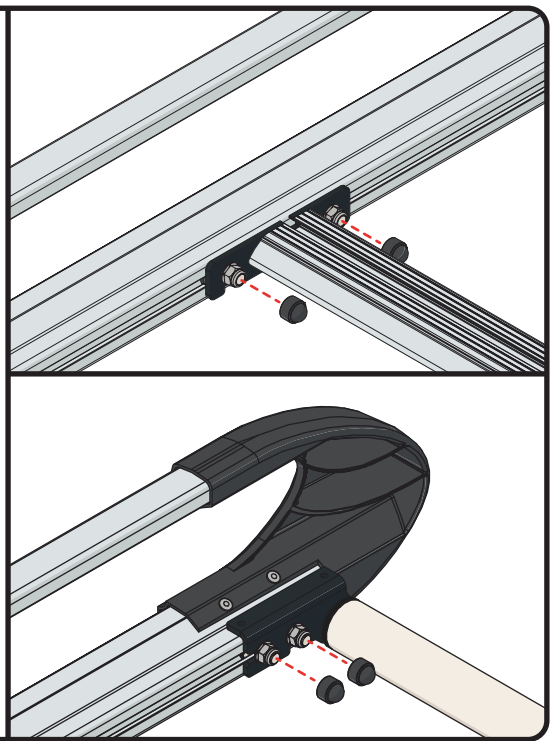


36



FX4241

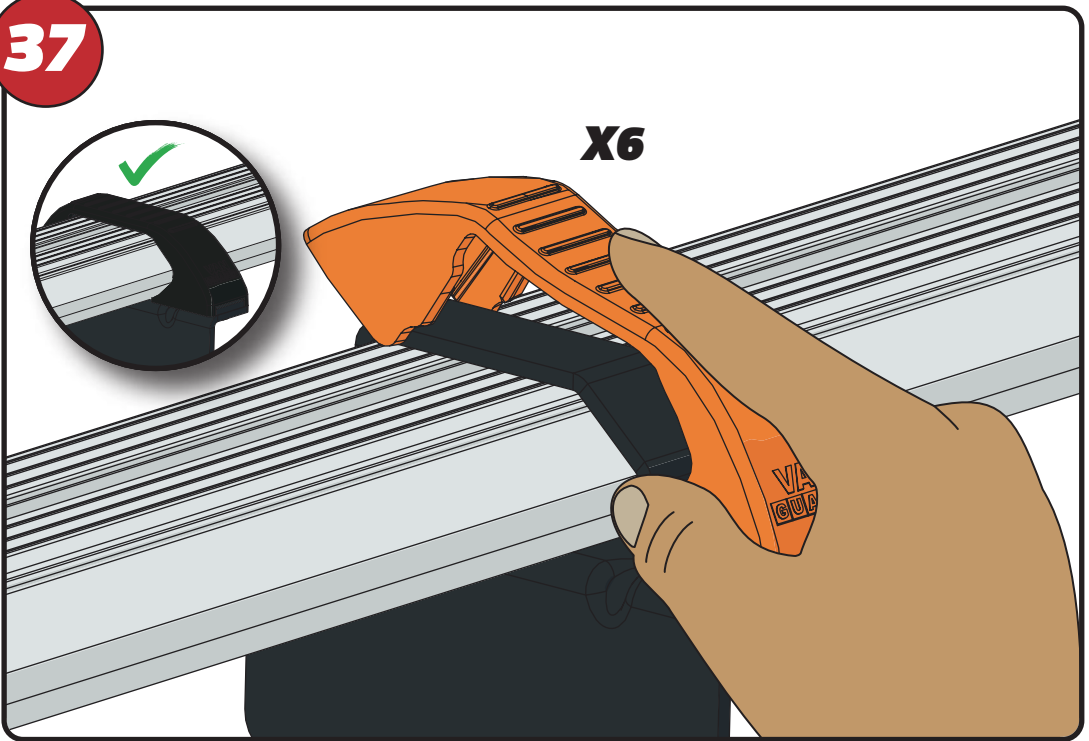
X28



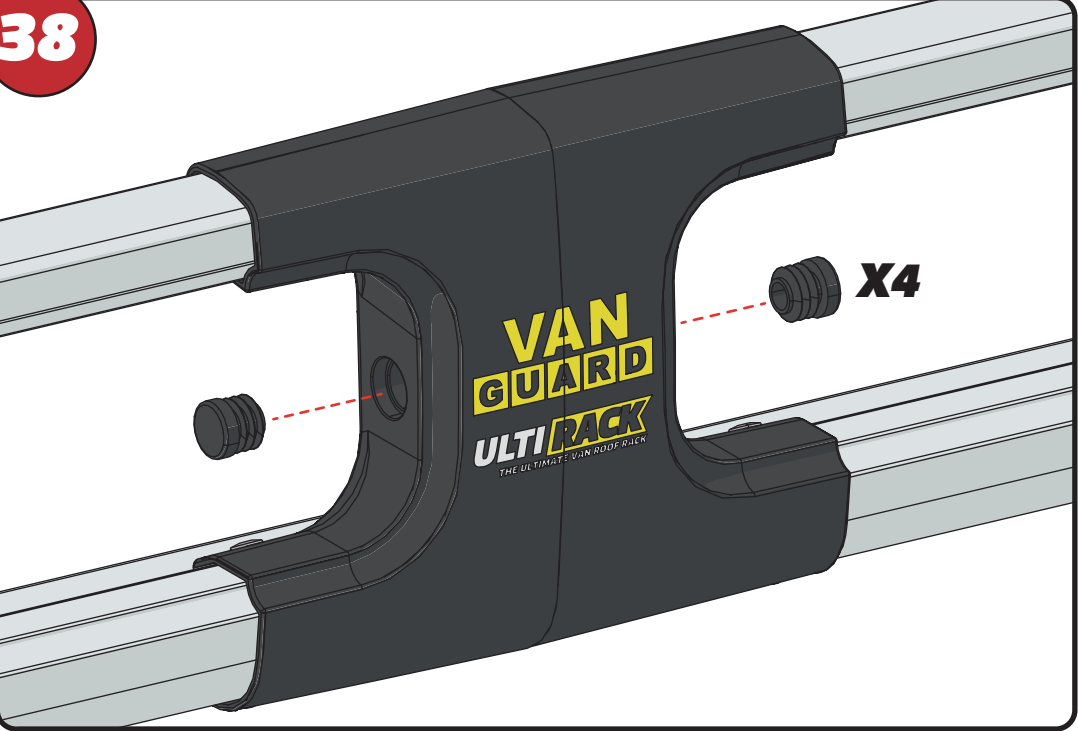
37



X6



38



VAN GUARD  
ULTIRACK  
THE ULTIMATE VAN ROOF RACK

X4

39

