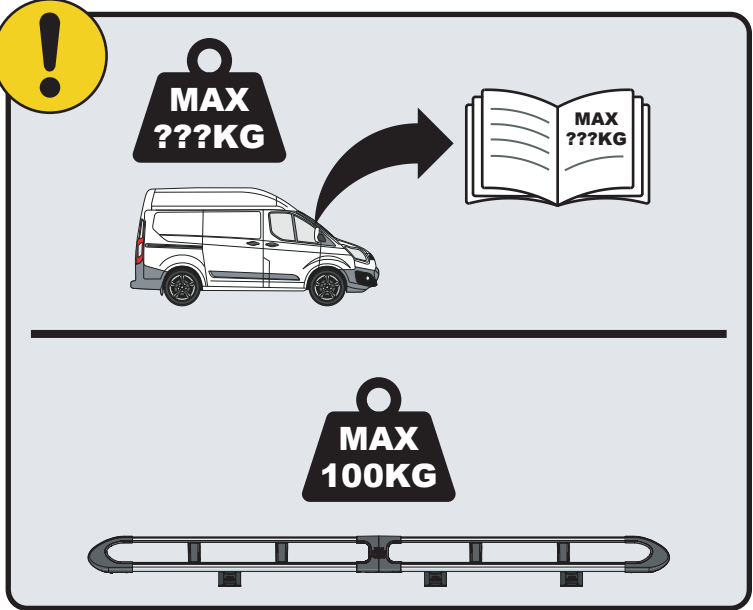
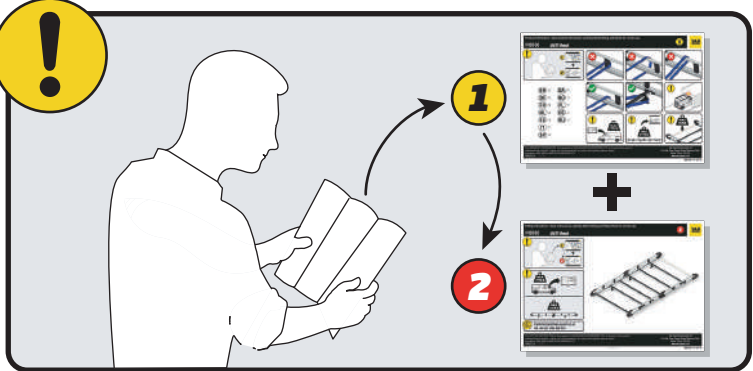


# IN8324

## ULTI Rack+



 [Customercare@van-guard.co.uk](mailto:Customercare@van-guard.co.uk)  
UK +44 (0) 1392 368 351



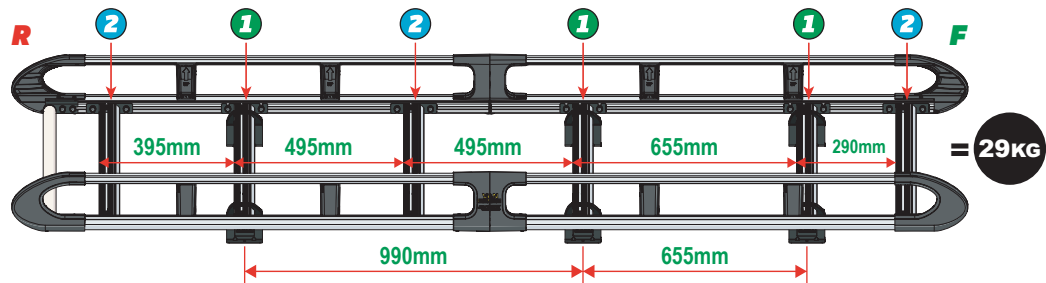
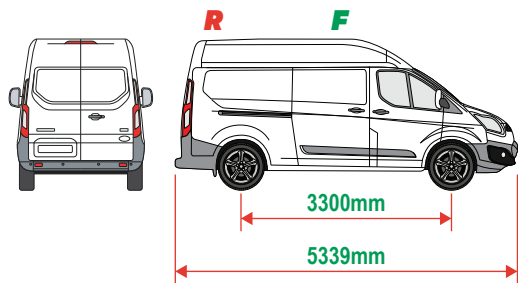
This FITTING INSTRUCTION is the property of VAN GUARD ACCESSORIES LTD. and must not be used for manufacturing purposes, copied nor communicated in any way to third parties without written permission from VAN GUARD ACCESSORIES LTD.  
IN8324\_A (CN:NR)

Van Guard Accessories Ltd  
Fair Oak Close, Exeter Airport Business Park,  
Exeter, Devon, EX5 2UL  
[www.van-guard.co.uk](http://www.van-guard.co.uk)

THIS INSTRUCTION COVERS THE FOLLOWING MODELS - CHECK YOU ARE FITTING THE CORRECT MODEL BEFORE PROCEEDING

**VGUR-253**

Ford Transit Custom: 2012 on  
L2H2 (LWB)  
Twin Rear Doors



**SUPPLIED COMPONENTS - CHECK ALL PARTS ARE PRESENT AND CORRECT BEFORE PROCEEDING (1 OF 2)**

**TOOLS REQUIRED**

**10MM X1**



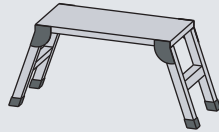
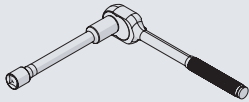
**13MM X1**



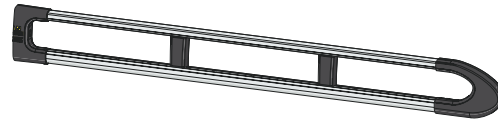
**Ø6MM X1**



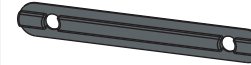
**10MM LONG HANDLED SOCKET X1**



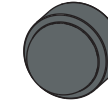
**AS3537 X2**  
(2600 / A)



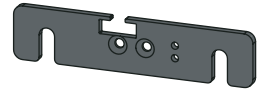
**MA6118 X12**



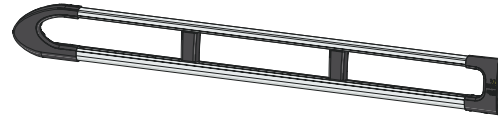
**FX4241 X28**



**ME1622 X3**



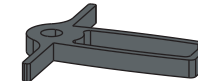
**AS3536 X2**  
(2600 / B)



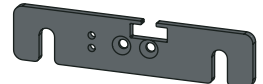
**FX4008 X1**



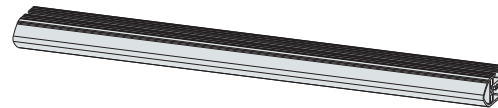
**MA6145 X1**



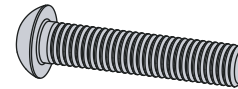
**ME1623 X3**



**ME1626 X6**  
(1264mm)



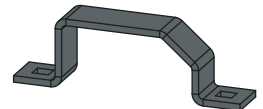
**FX4001 X2**  
(M8X40)



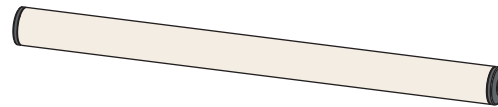
**FX4235 X24**  
(M5X25)



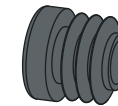
**ME0203 X6**



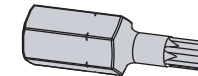
**AS3158 X1**  
(1250mm)



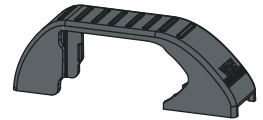
**MA6007 X4**



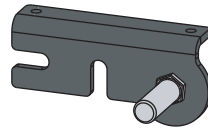
**FX4248 X1**  
(T25)



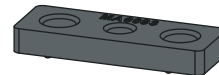
**MA6065 X6**



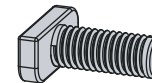
**AS3590 X1**



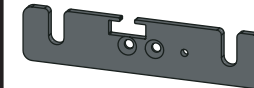
**MA6093 X12**



**FX4239 X28**  
(M8X20)



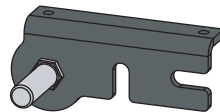
**ME1620 X3**



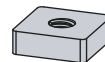
**FX4016 X18**  
(M6)



**AS3591 X1**



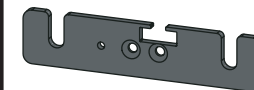
**ME0316 X12**



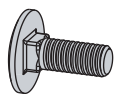
**FX4240 X28**  
(M8)



**ME1621 X3**

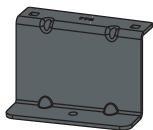


**FX4042 X12**  
(M6X16)

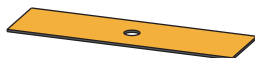


SUPPLIED COMPONENTS - CHECK ALL PARTS ARE PRESENT AND CORRECT BEFORE PROCEEDING (2 OF 2)

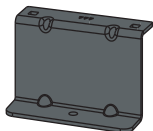
ME0776 X2



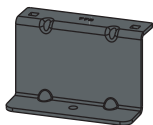
MA6018 X6



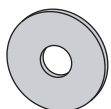
ME0777 X2



ME0778 X2



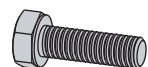
FX4013 X6  
(M6)



FX4014 X6



FX4026 X6  
(M6X20)



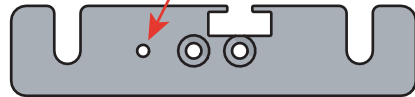
01

1L



X3

1R



X3



2L



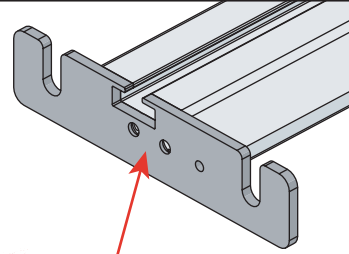
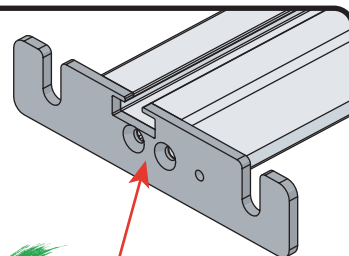
X3

2R



X3

02



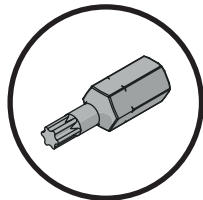
03

01

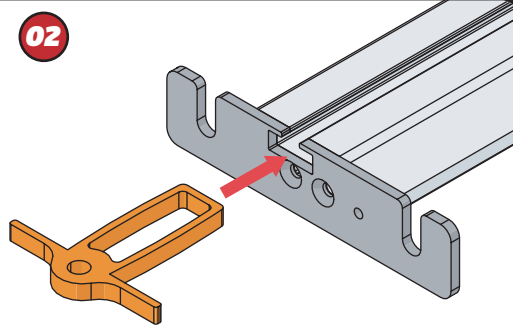
FX4248



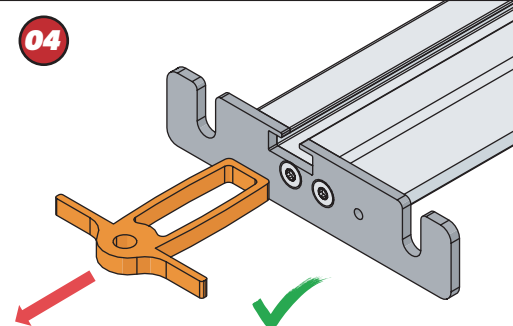
+



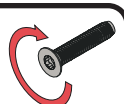
02



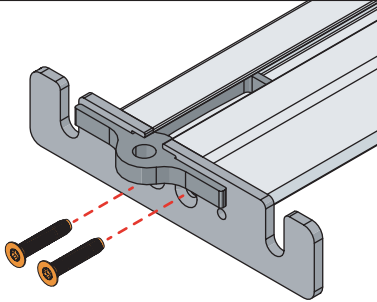
04



03



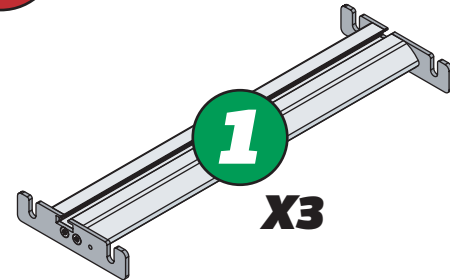
11Nm



04

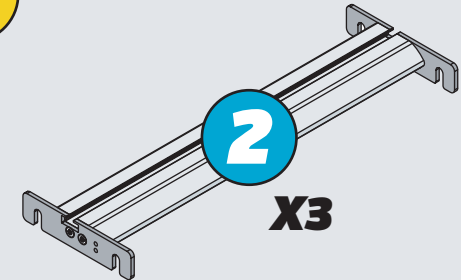


1

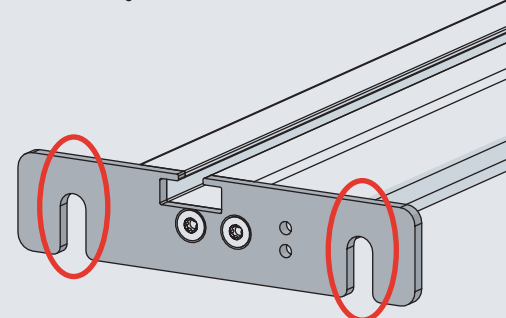
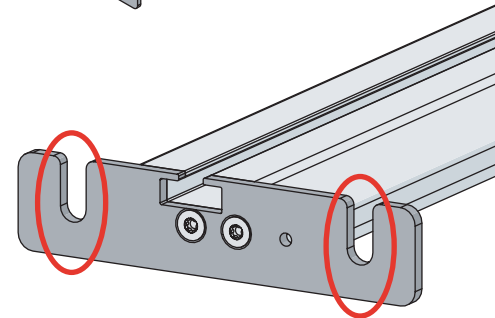


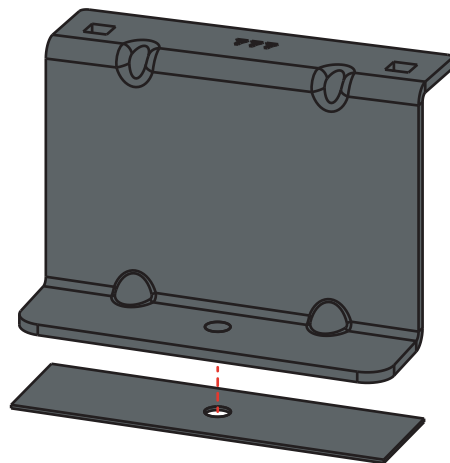
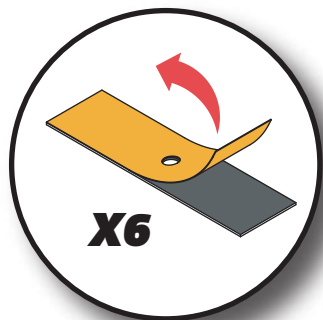
X3

2



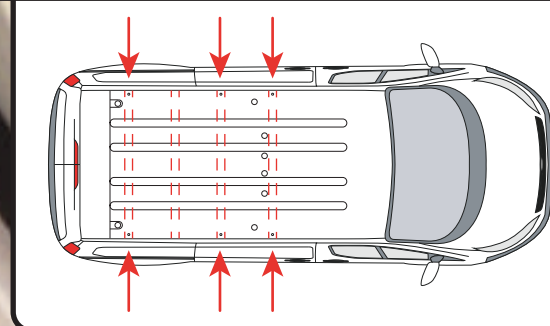
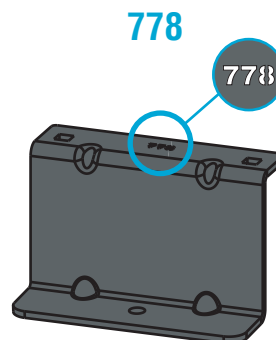
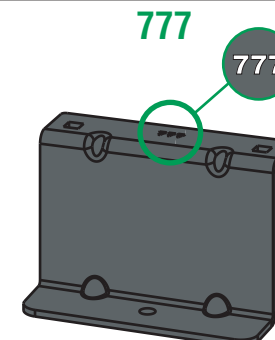
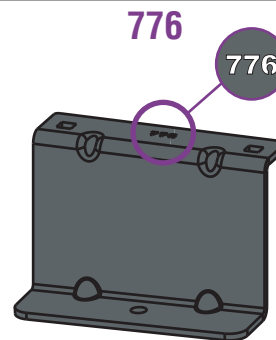
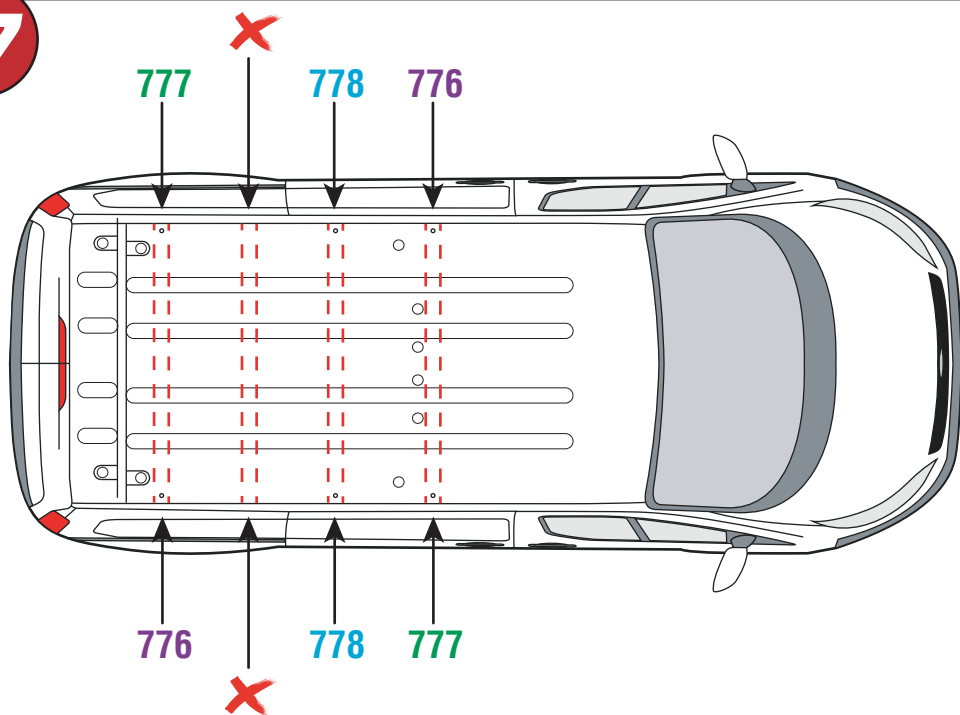
X3

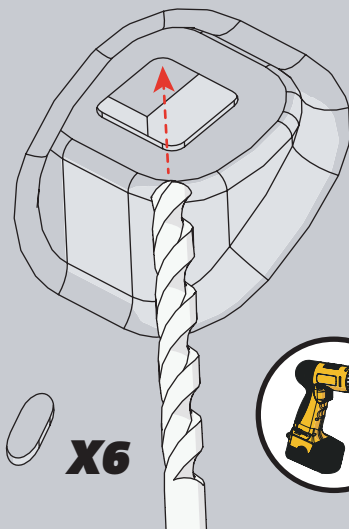
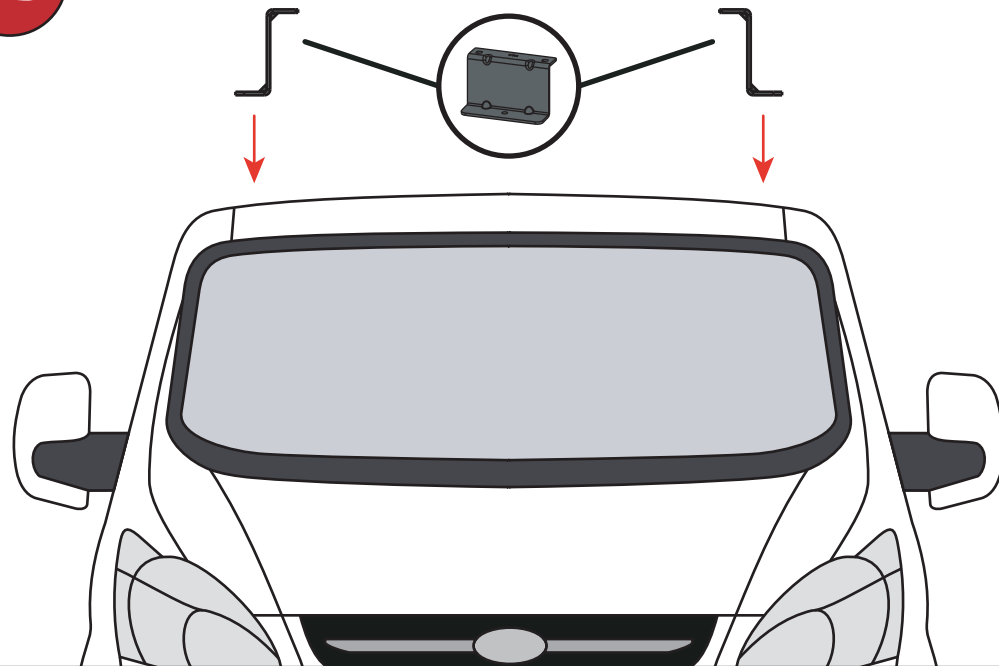
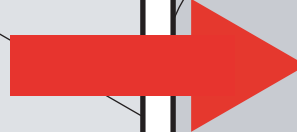
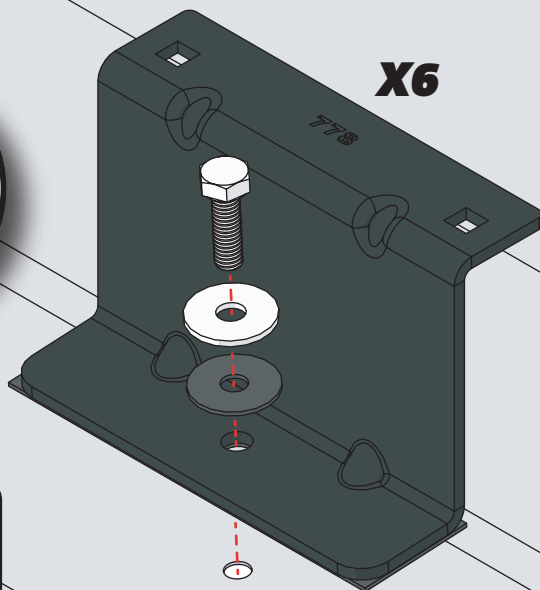
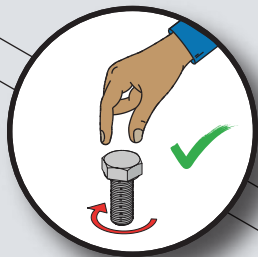
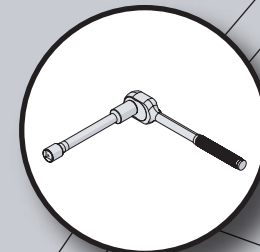
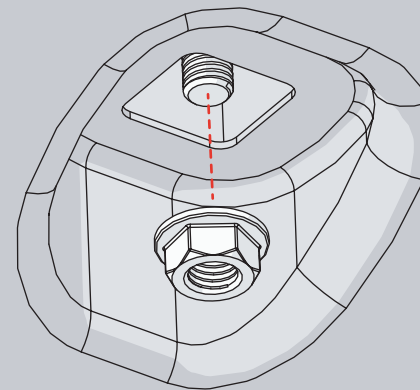


**05**

EN - STICK GASKETS TO ALL BRACKETS  
 DE - KLEBEN SIE DIE DICHTUNG AN ALLEN HALTERUNGEN  
 FR - COLLER LES JOINTS SUR TOUS LES SUPPORTS  
 NL - PLAK PAKKING OP ALLE BEUGELS  
 ES - PEGAR LAS JUNTAS A TODOS LOS SOPORTES  
 IT - ADESIVI GUARNIZIONI A TUTTE LE STAFFE

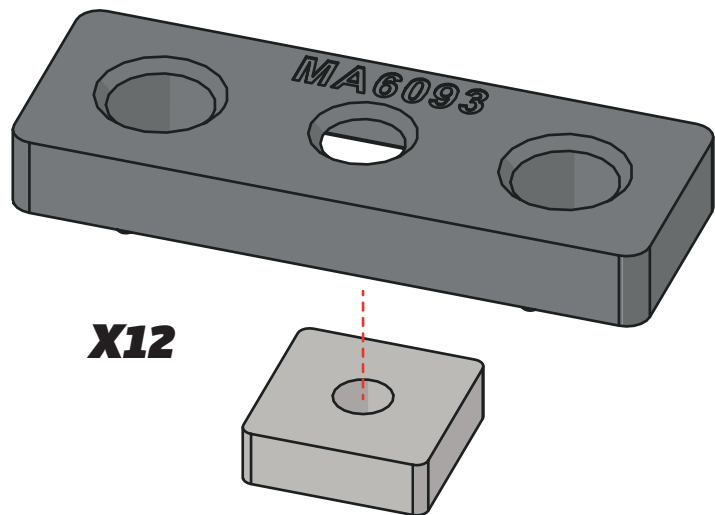
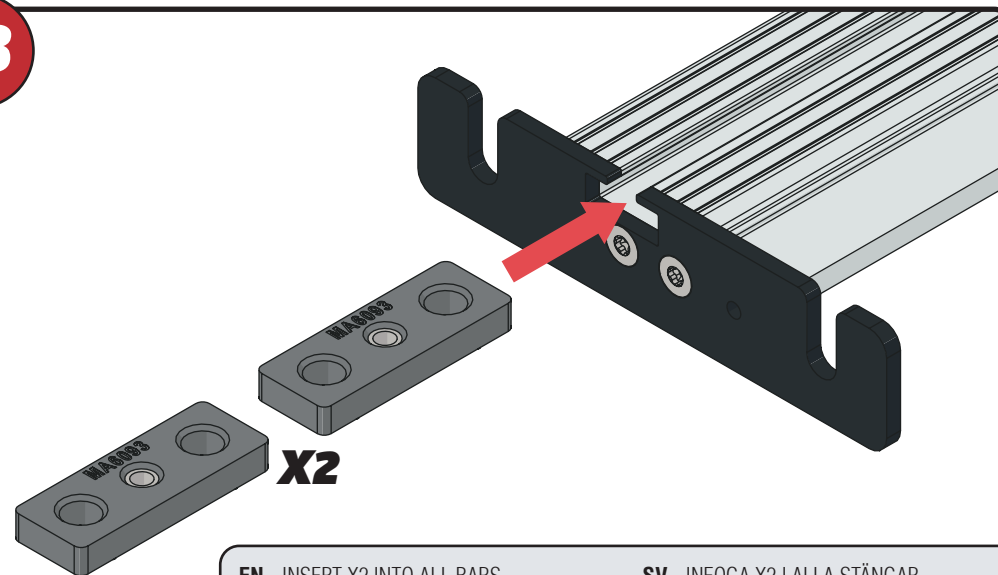
SV - FÄST TÄCKNINGAR PÅ ALLA FÄSTEN  
 DA - SÆT PAKNINGER TIL ALLE BESLAG  
 NO - PLAST PAKNINGER TIL ALLE BRAKERET  
 PL - NAKLEJ USZCZELKI DO WSZYSTKICH WSPORNIKÓW  
 CS - PŘILEPTE TĚSNĚNÍ NA VŠECHNY DRŽÁKY

**06****07**

**08****Ø6MM****09****10****11**

**EN** - USE A LONG HANDLED SOCKET  
**DE** - VERWENDEN SIE LANGGRIFFIGE STECKDOSE  
**FR** - UTILISER UNE DOUILLE À LONG MANCHE  
**NL** - GEBRUIK STOPCONTACT MET LANGE HANDGREEP  
**ES** - UTILICE UN VASO DE MANGO LARGO  
**IT** - UTILIZZARE PRESA A MANICO LUNGO

**SV** - ANVÄND LÅNGT HÅNDTAGET UTTAG  
**DA** - BRUG LANGHÅNDTAGET STIKNING  
**NO** - BRUK STØTTE MED LANGT HÅNDTAK  
**PL** - UŻYWAJ GNIAZDA Z DŁUGIM UCHWYTEM  
**CS** - POUŽÍVEJTE ZÁSUVKU S DLOUHÝM RUČENÍM

**12****13**

EN - INSERT X2 INTO ALL BARS

DE - X2 IN ALLE STANGEN EINFÜGEN

FR - INSÉRER X2 DANS TOUTES LES BARRES

NL - PLAATS X2 IN ALLE BARS

ES - INSERTAR X2 EN TODAS LAS BARRAS

IT - INSERIRE X2 IN TUTTE LE BARRE

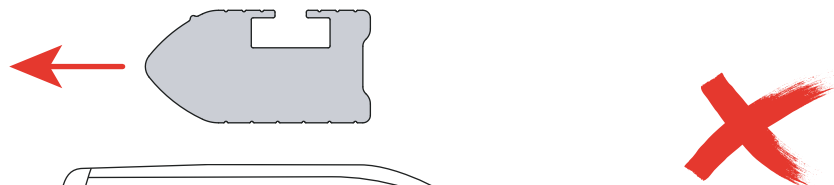
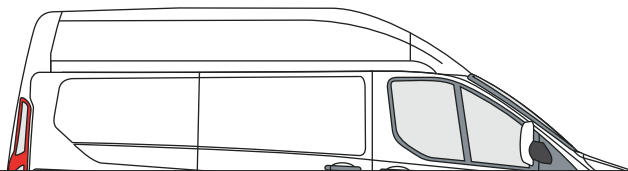
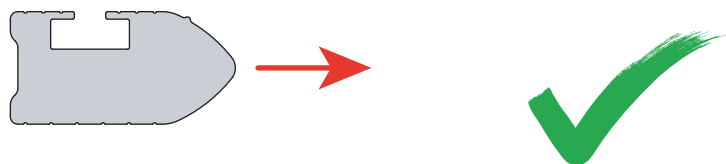
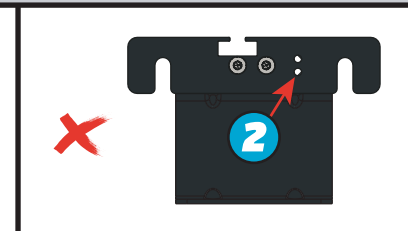
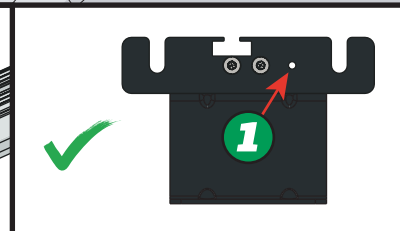
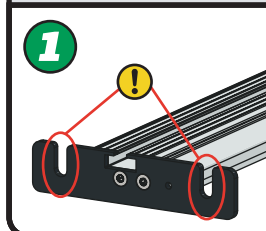
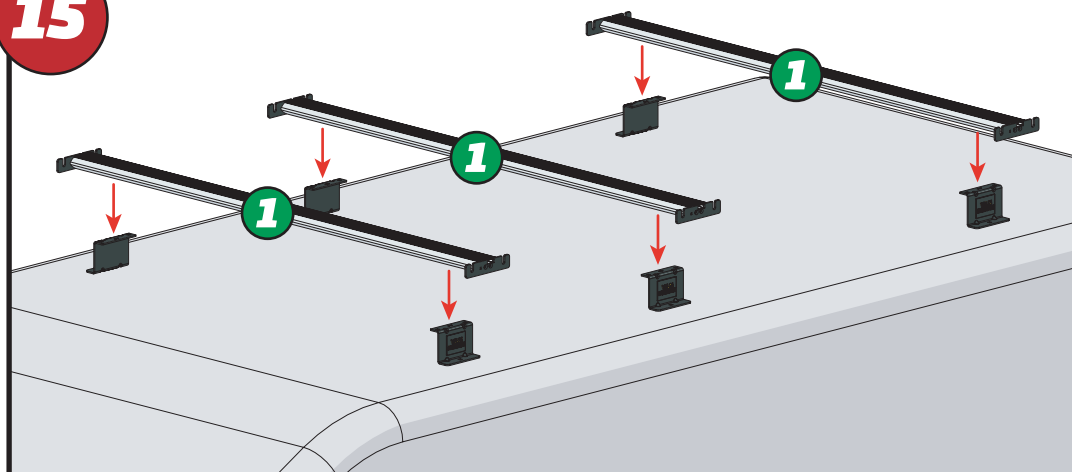
SV - INFOGA X2 I ALLA STÄNGAR

DA - INDSÆT X2 I ALLE STÆNGER

NO - SETT X2 INN I ALLE TAKSTENGER

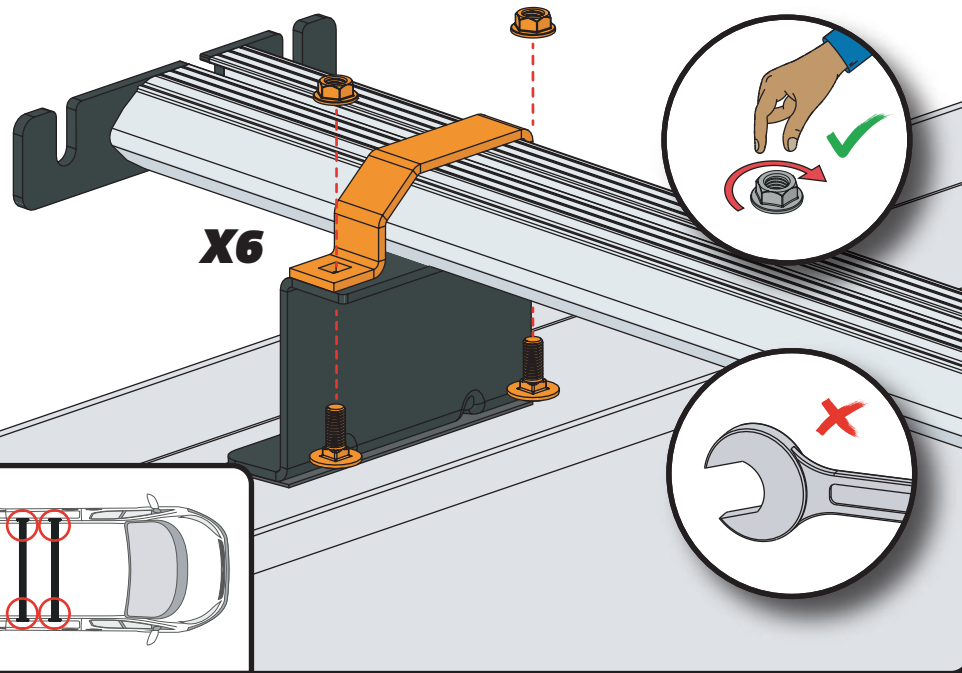
PL - WSTAW X2 DO WSZYSTKICH PRĘTÓW

CS - VLOŽTE X2 DO VŠECH TYČÍ

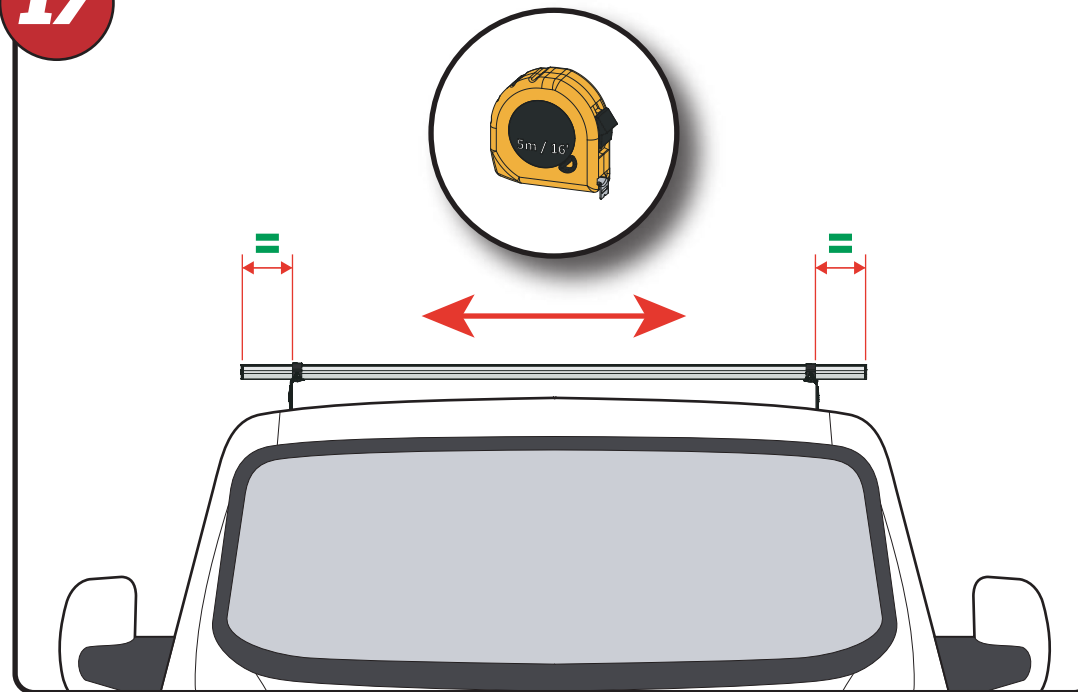
**14****15**



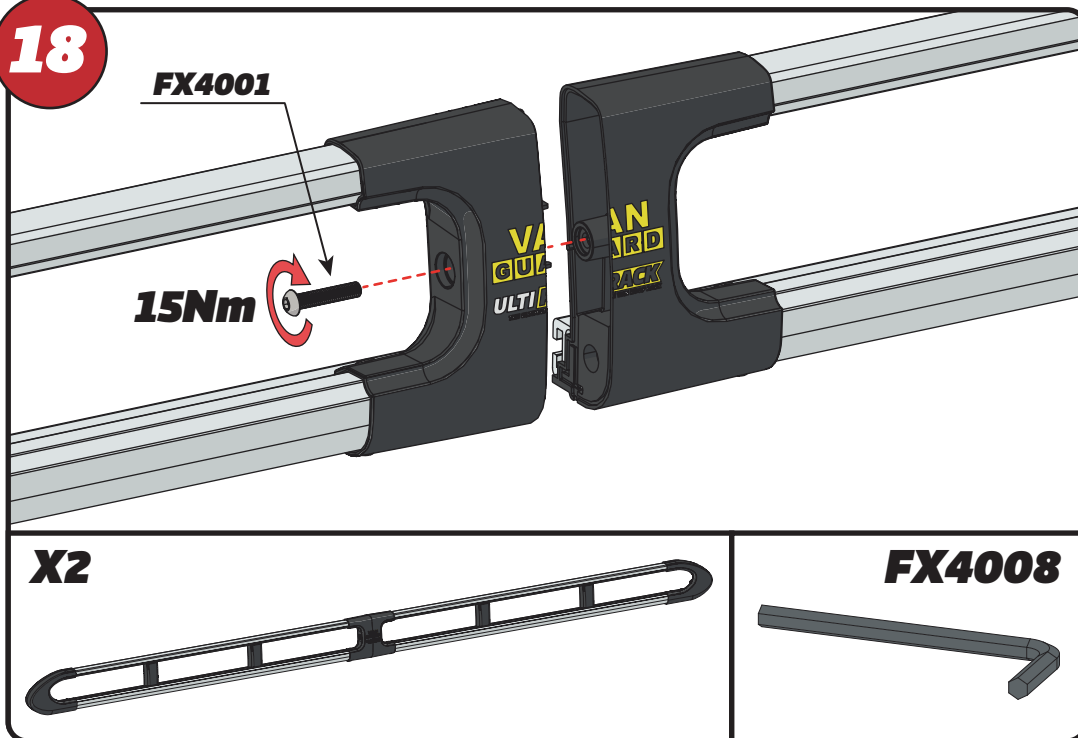
16



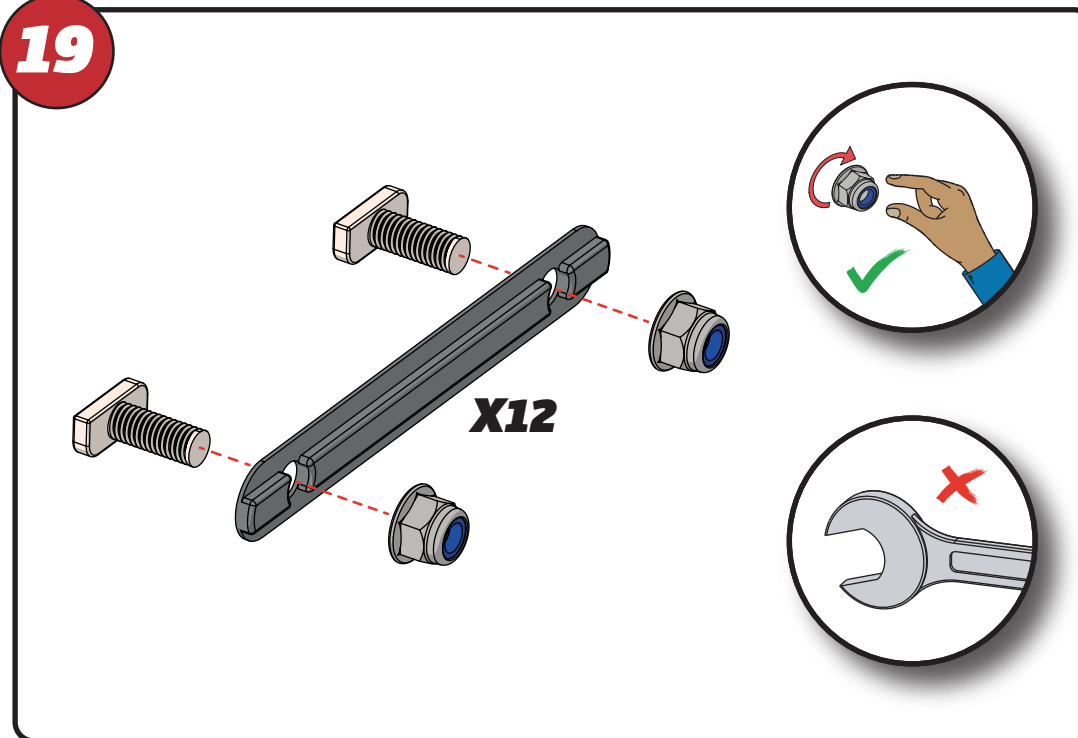
17



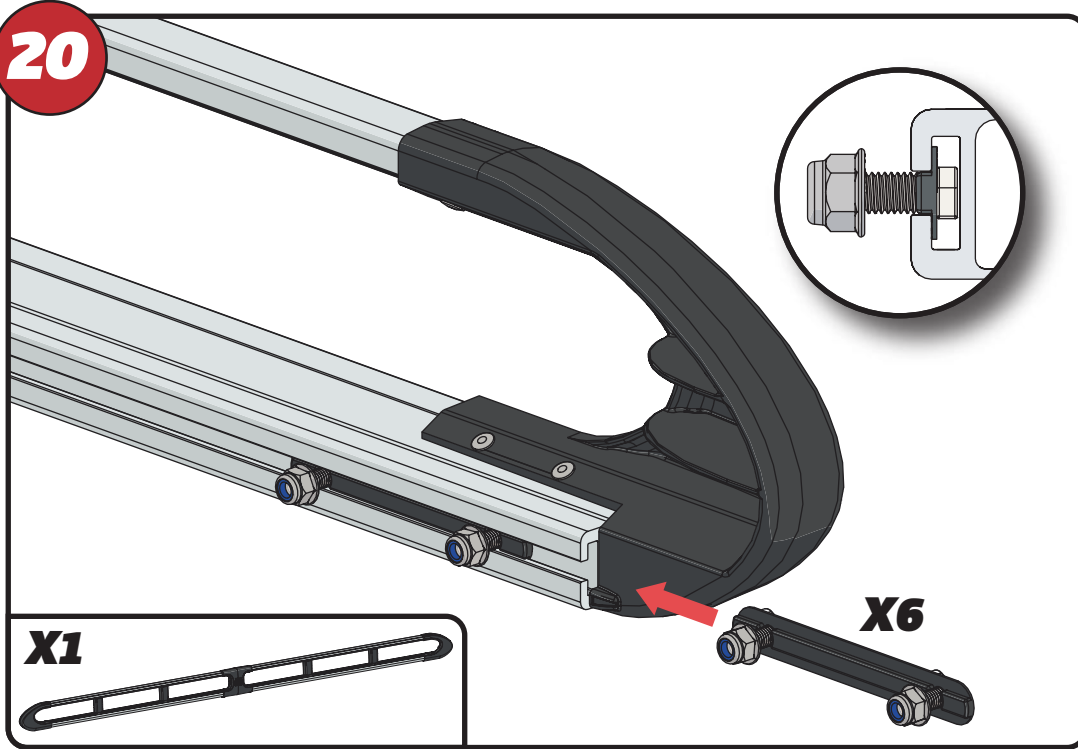
18



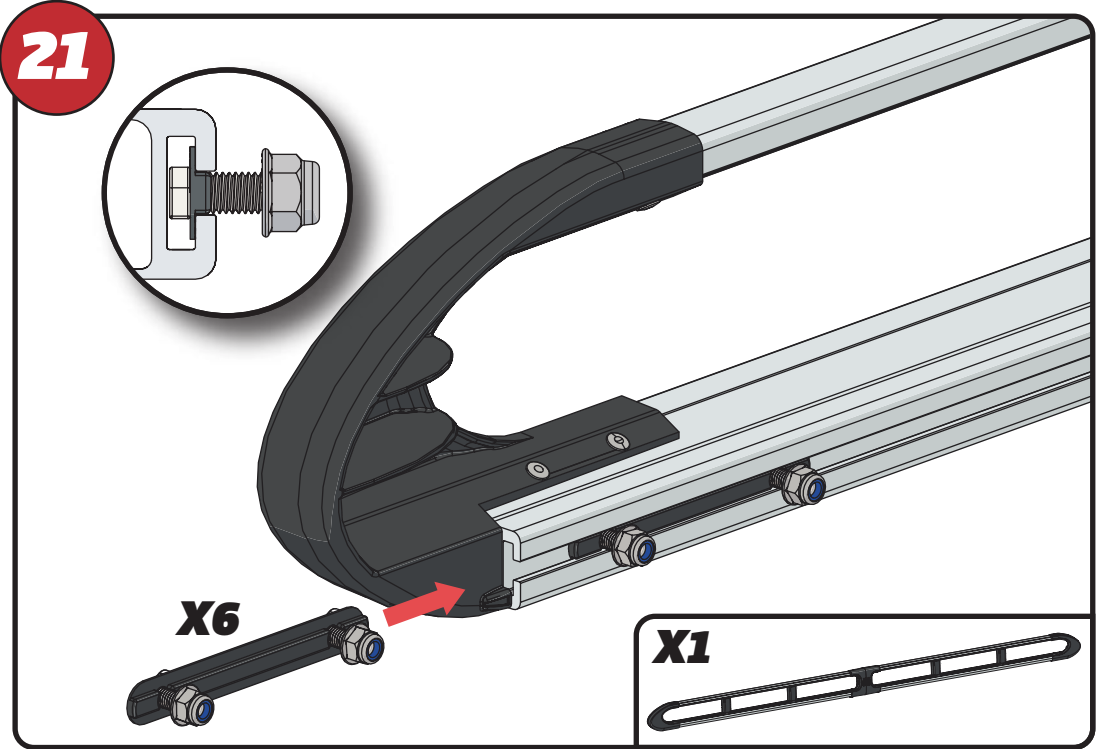
19



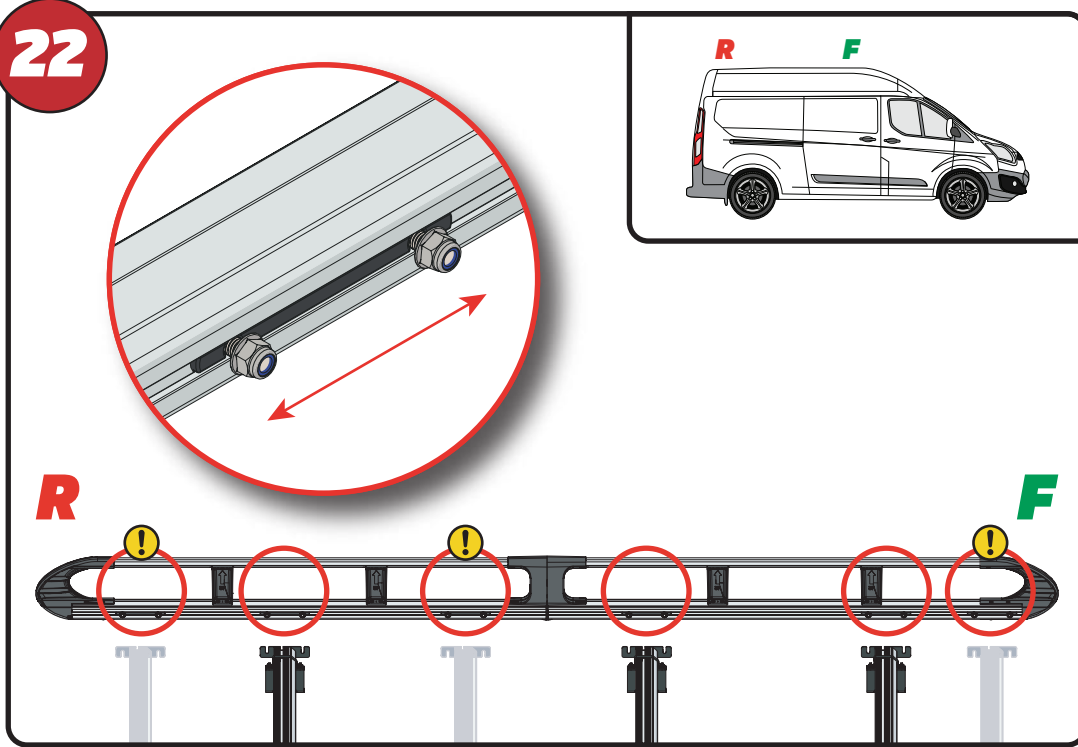
20



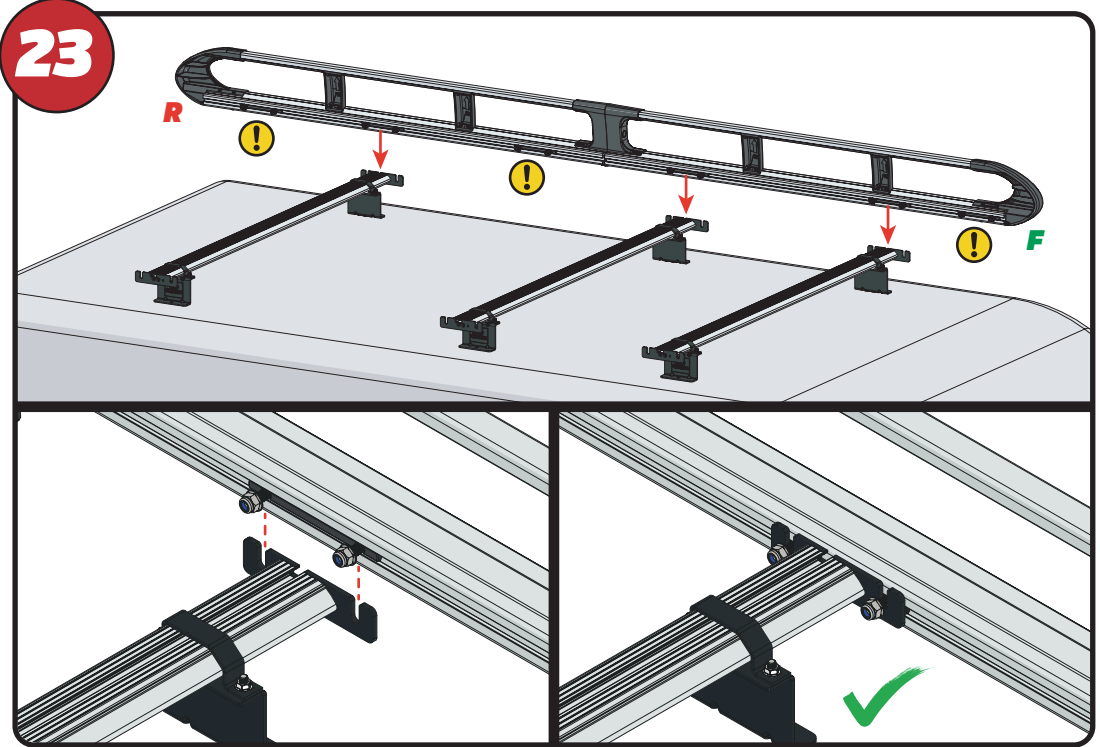
21



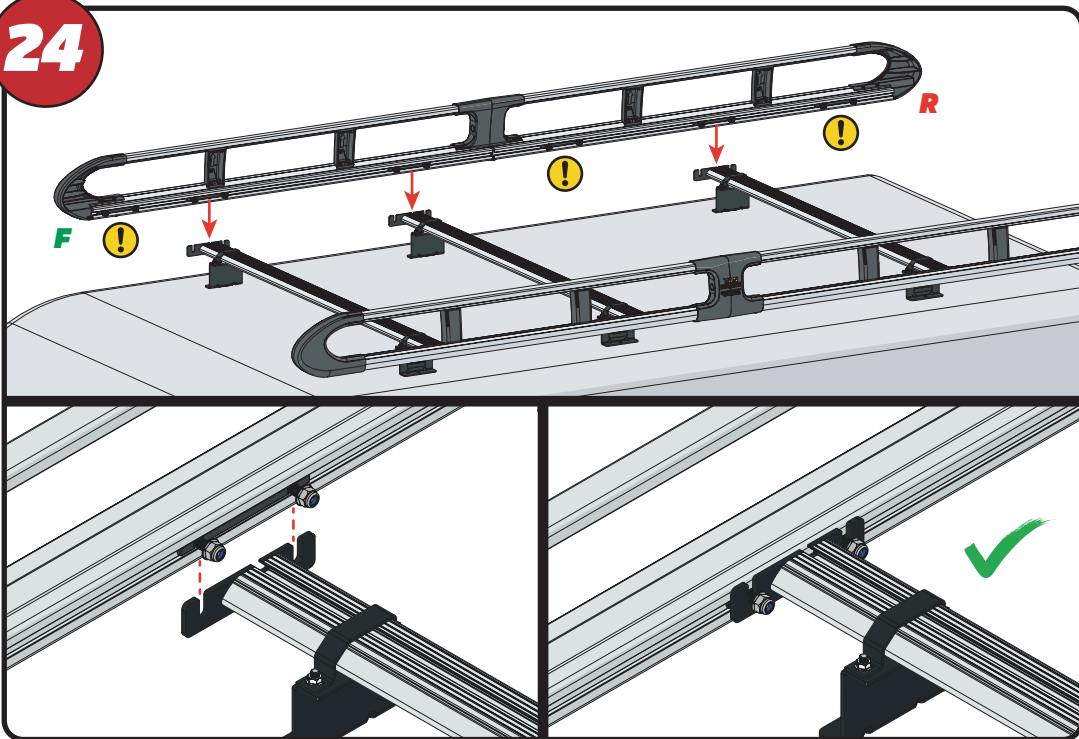
22



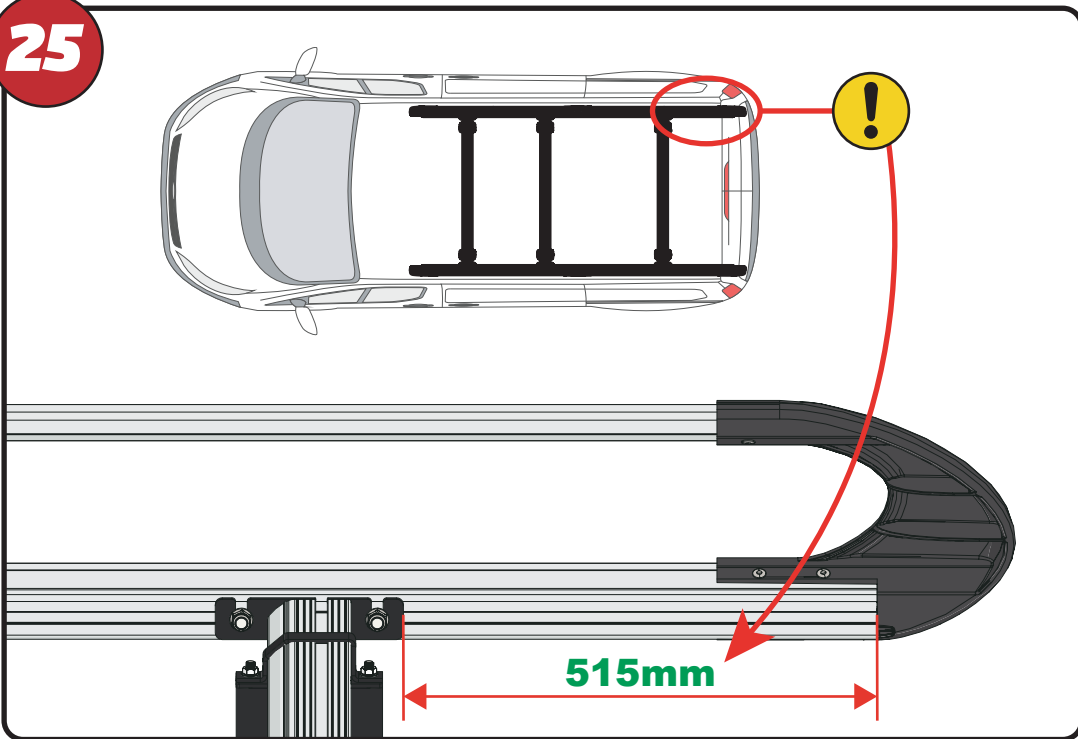
23



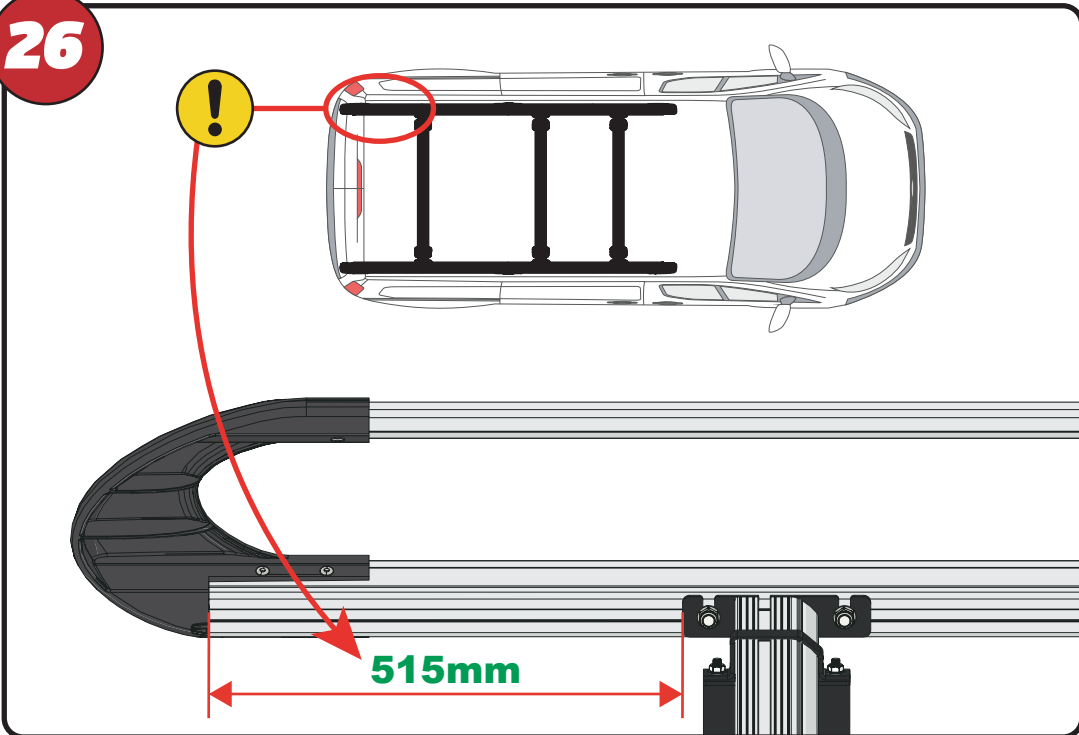
24



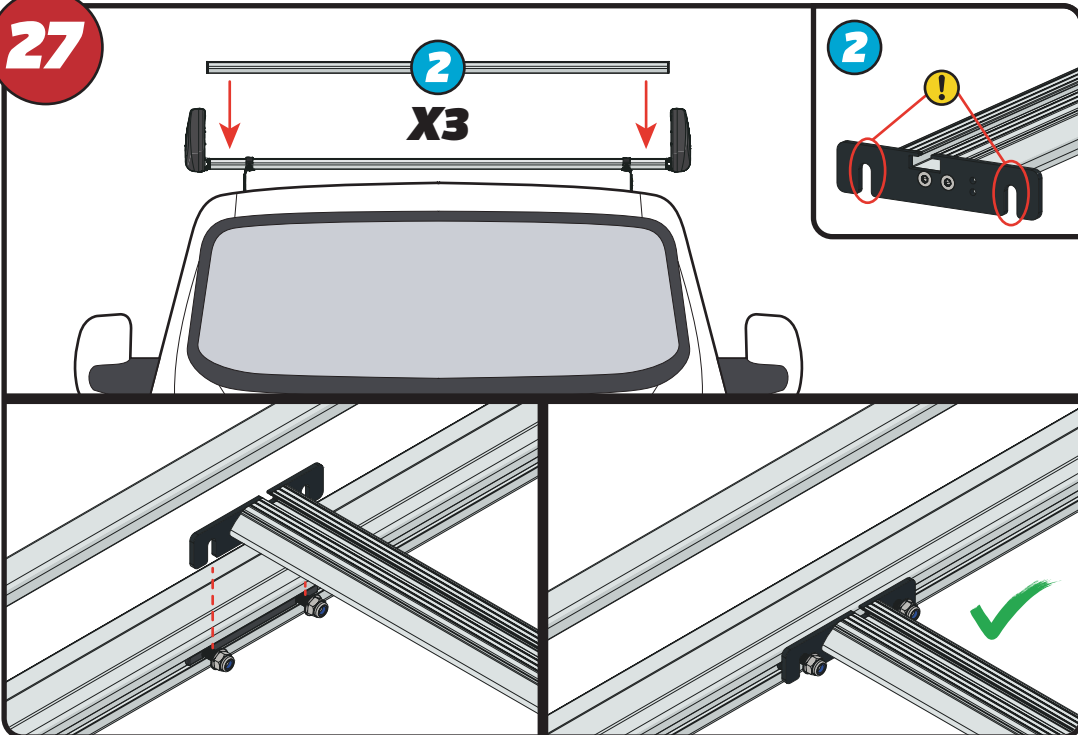
25



26

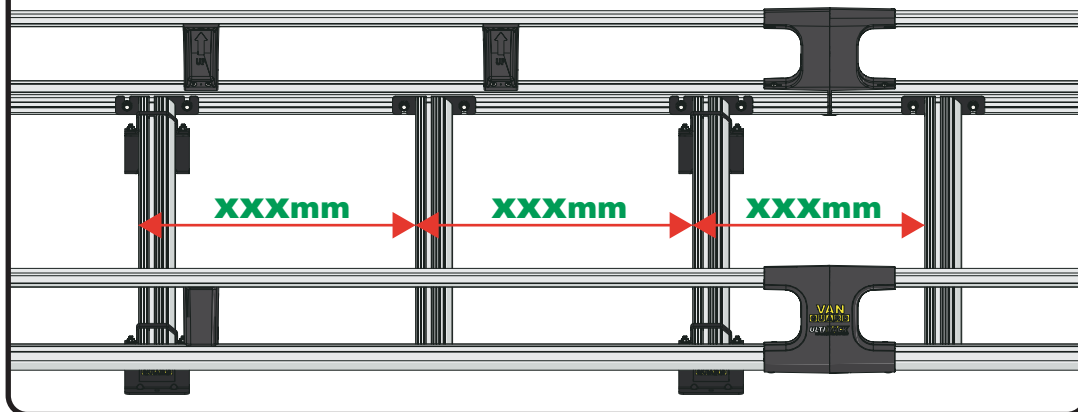
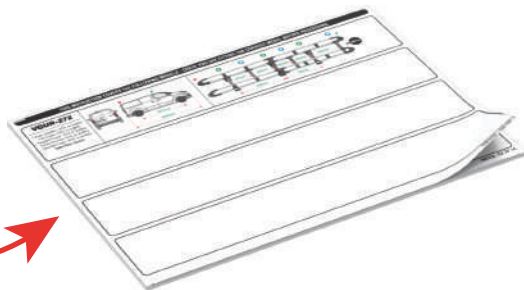
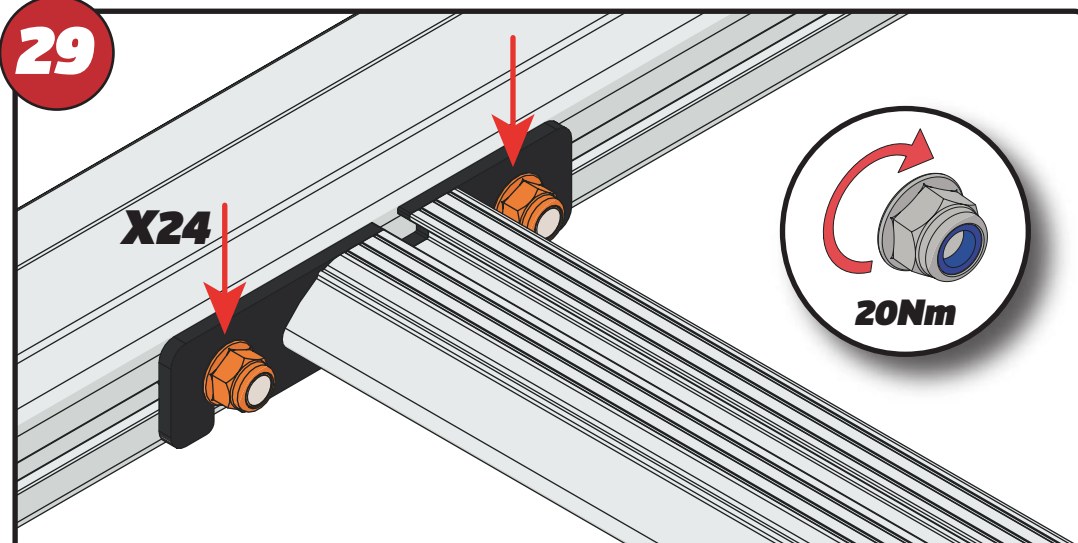


27



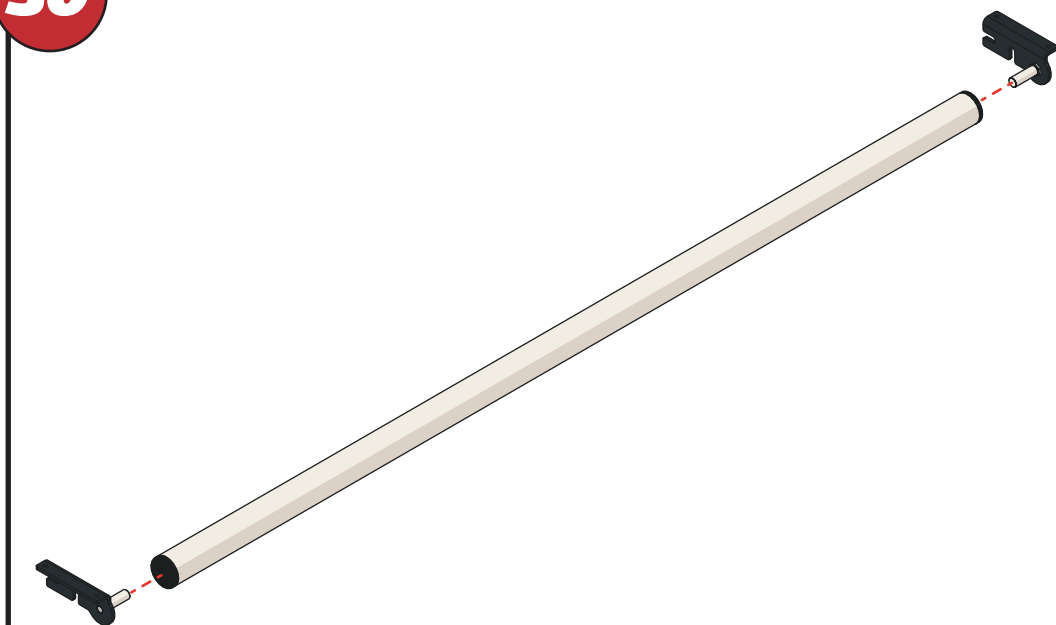
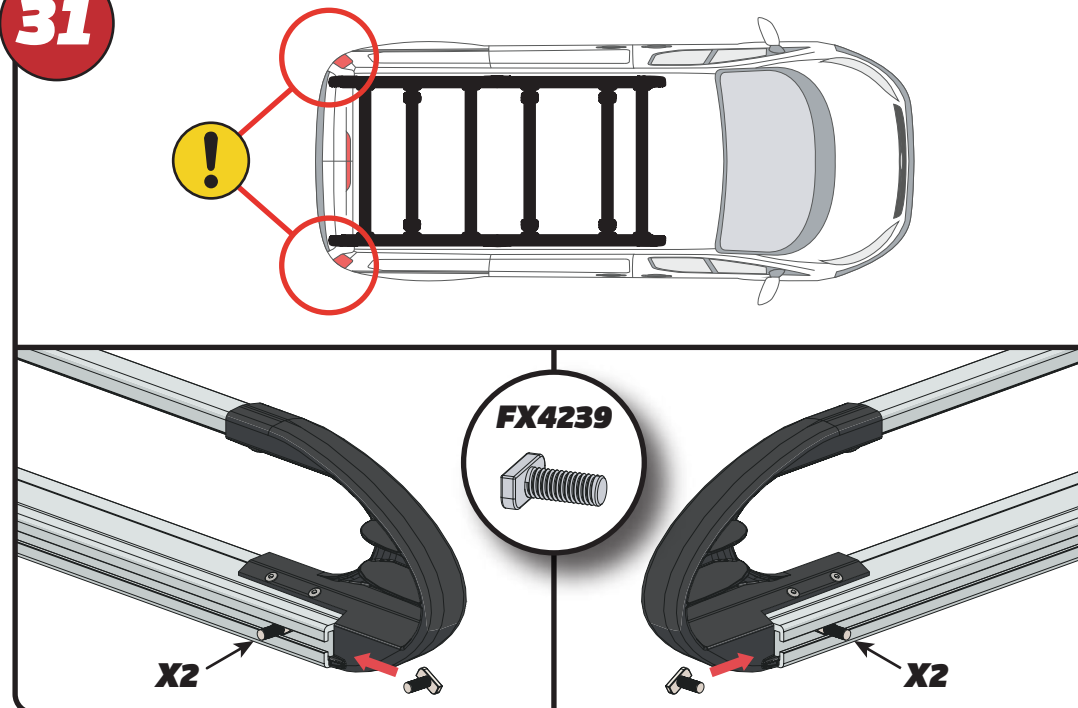
**28**

XXX =  
PAGE 2 OF 15

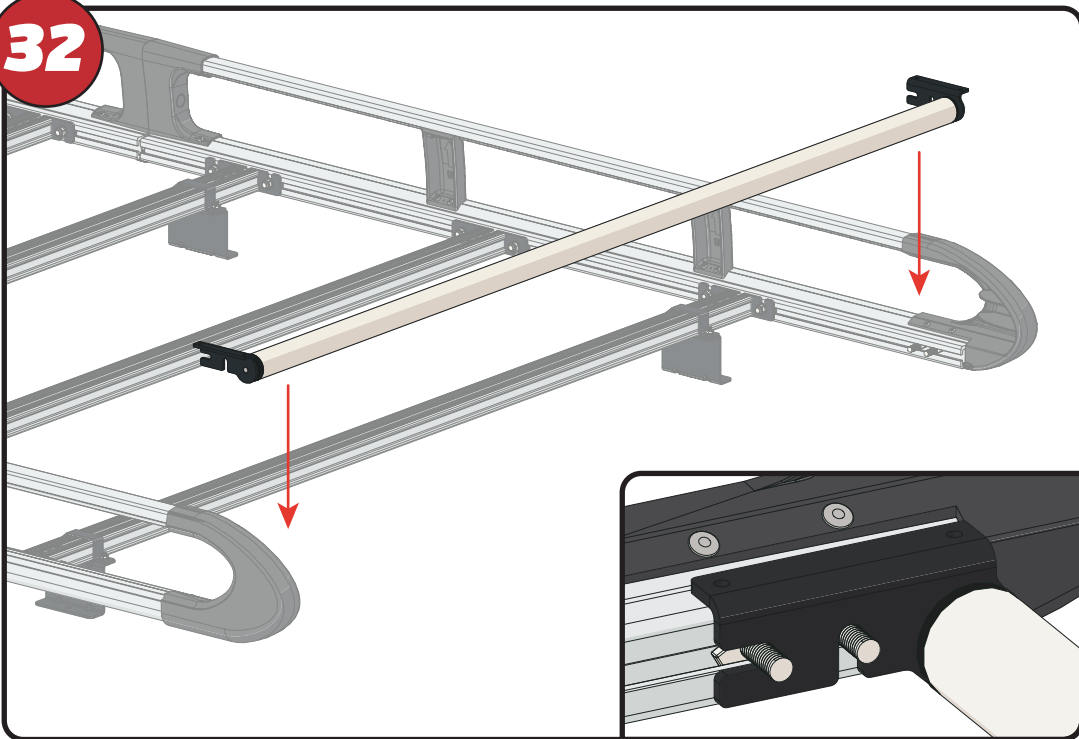
**29****X24****20Nm**

EN - TIGHTEN ALL OF THE CROSS BARS  
DE - ALLE QUERSTANGEN FESTZIEHEN  
FR - SERREZ TOUTES LES BARRES TRANSVERSALES  
NL - DRAAI ALLE DWARSBALK VAN HET DAK AAN  
ES - APRIETE TODAS LAS BARRAS TRANSVERSALES  
IT - STRINGERE TUTTE LE BARRE TRASVERSALI

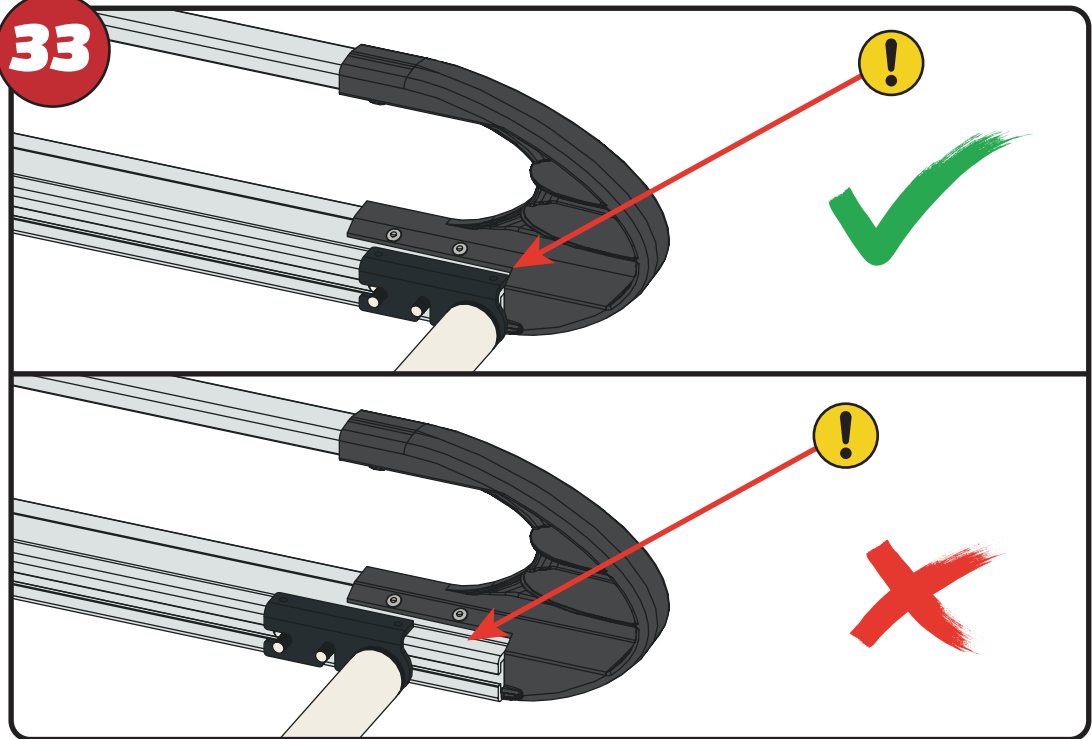
SV - SKRU UPP ALLA KORSSTANGAR  
DA - SKRU ALLE TAGBØJLER OP  
NO - SKRU OPP ALLE TVERRSTENGER  
PL - DOKRĘCIĆ WSZYSTKIE POPRZECZKI  
CS - VŠECHNY PŘÍČNÉ TYČE SEŠROUJTE

**30****31****FX4239****X2****X2**

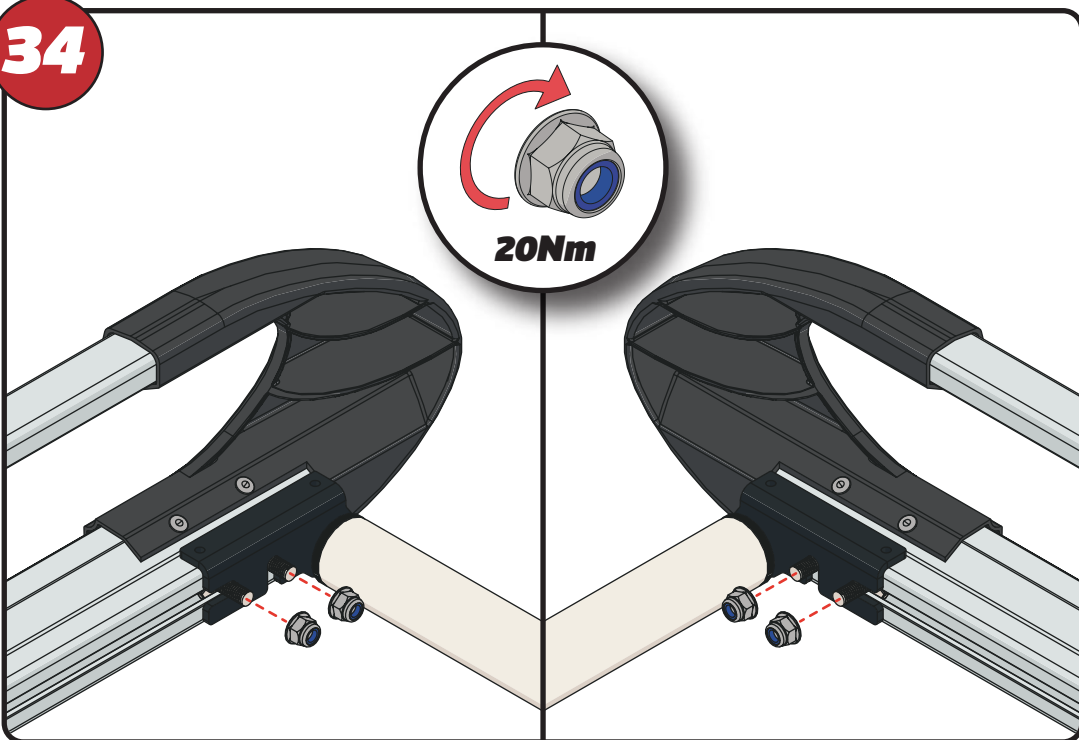
32



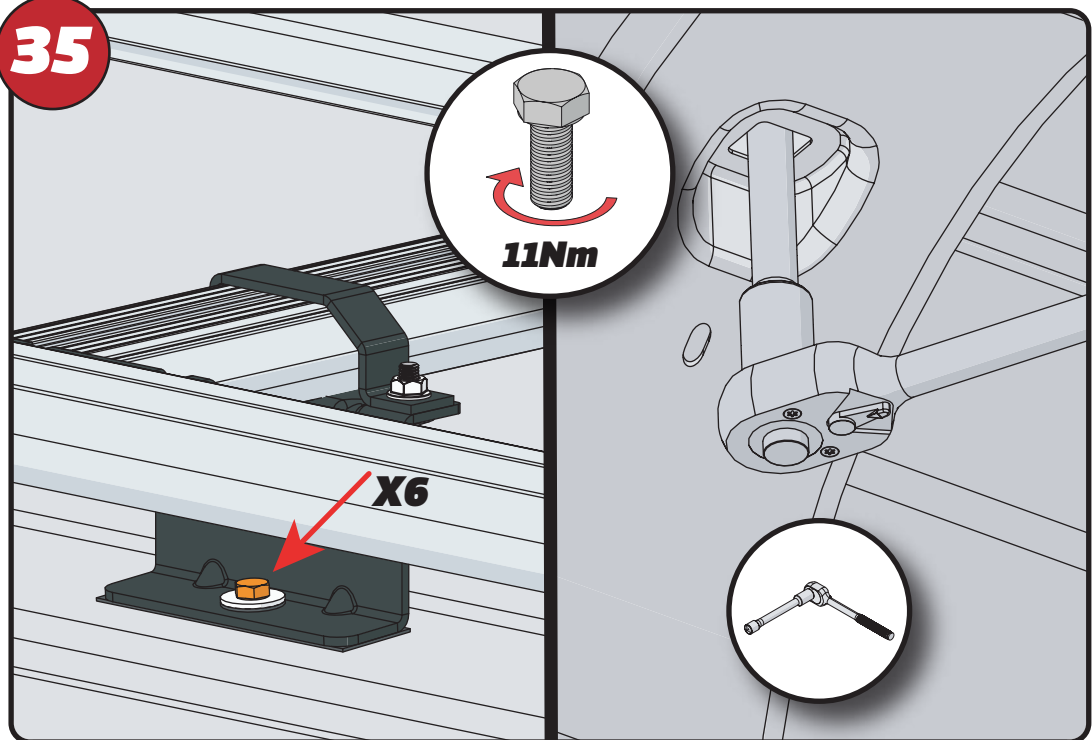
33



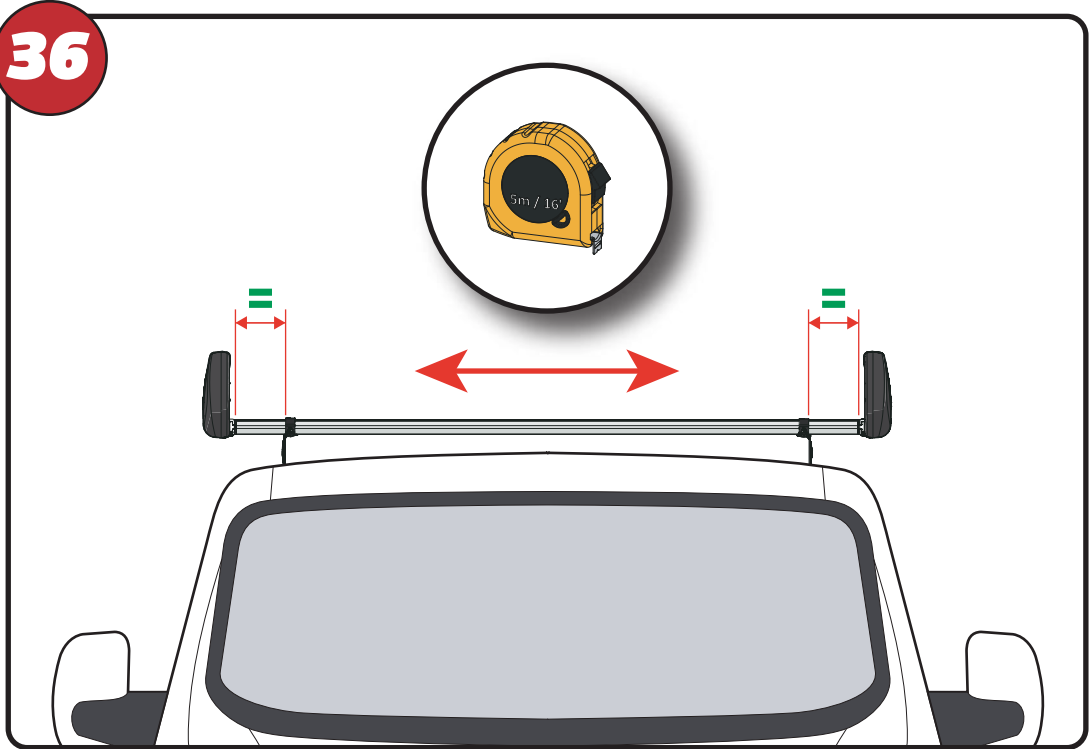
34



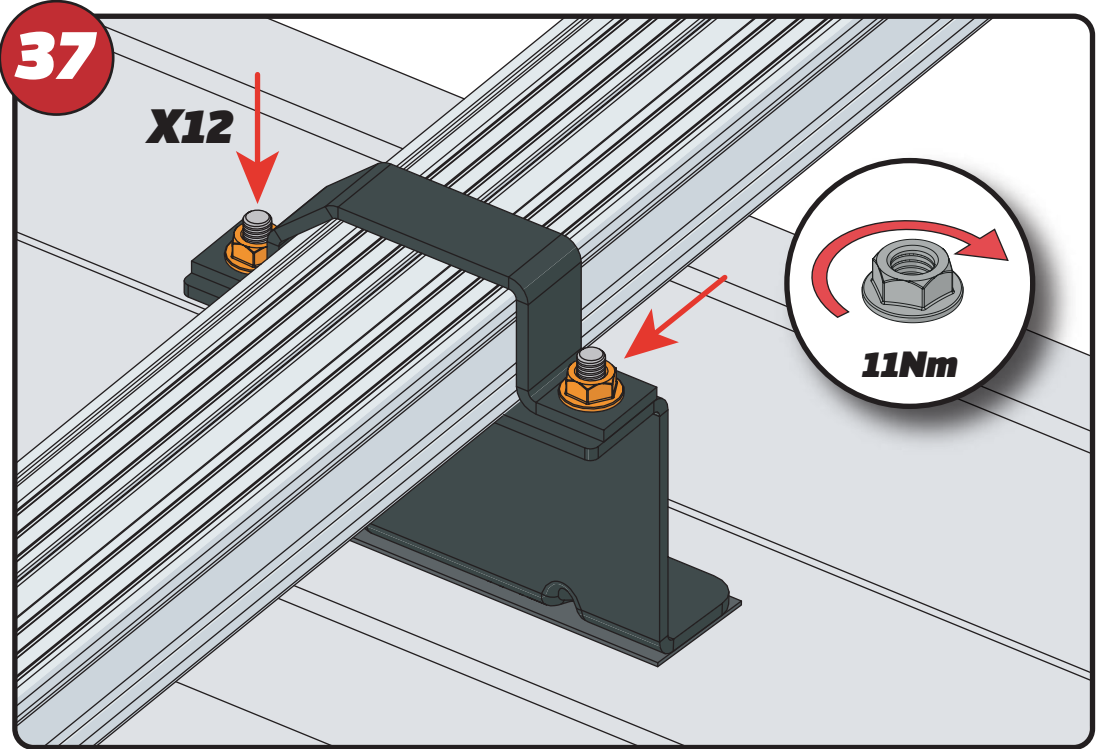
35



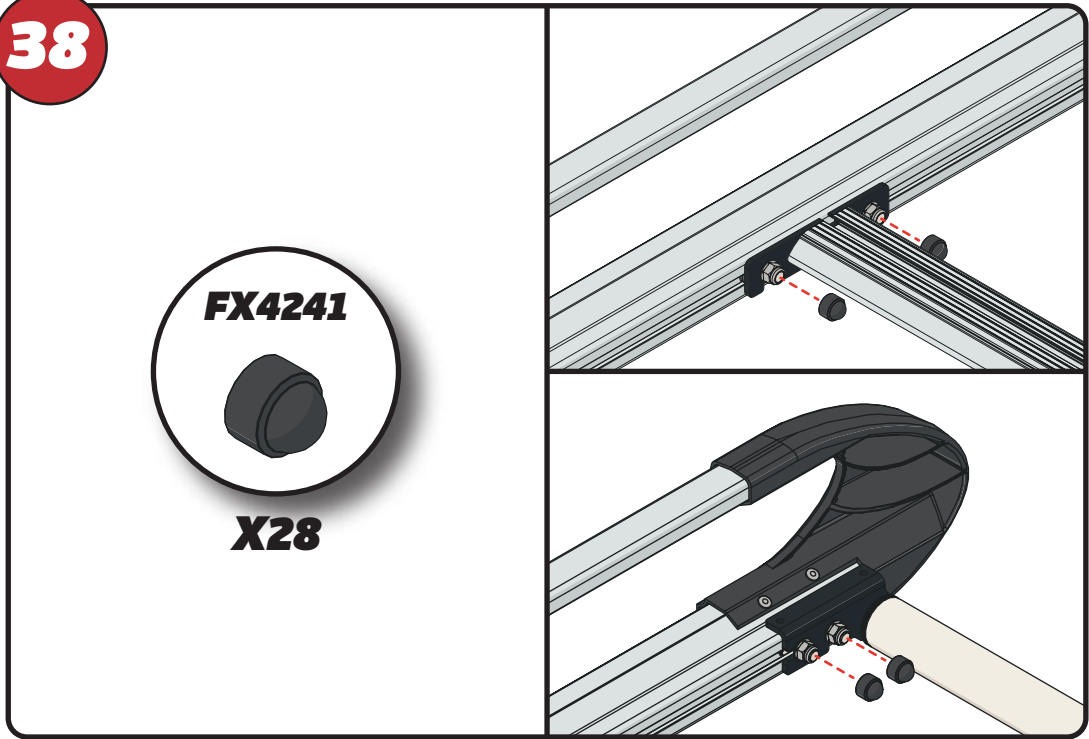
**36**



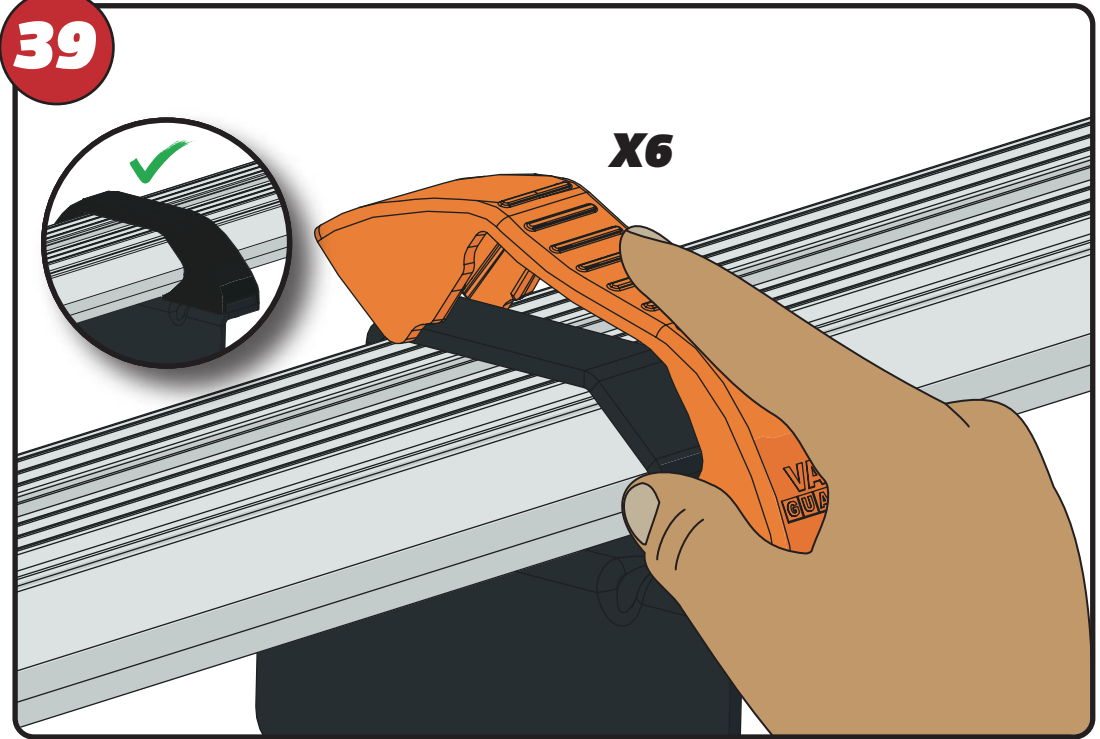
**37**



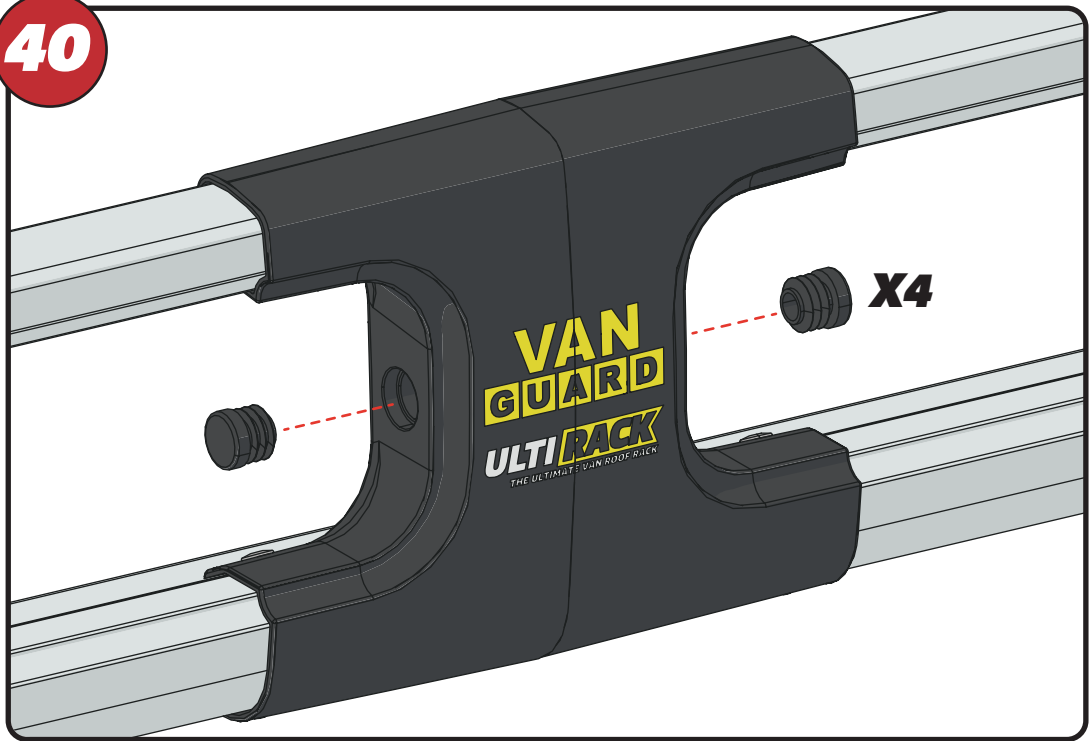
**38**



**39**



40



41

