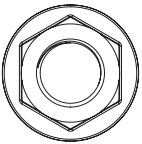
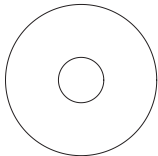
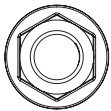
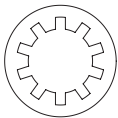
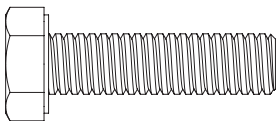
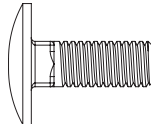
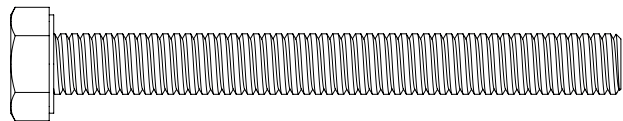
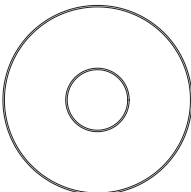
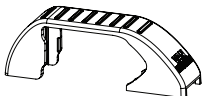

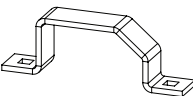
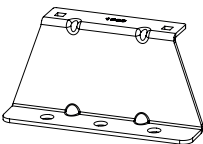




IN8335

ULTI Bars - X4

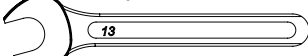
FX4011 X10 (M8) 	FX4014 X10 (RUBBER) 	FX4016 X16 (M6) 	FX4019 X10 (M8) 	FX4039 X4 (M8X30) 	FX4042 X16 (M6X16) 	FX4067 X6 (M8X75) 
FX4040 X10 (M8) 	MA6065 X8 	MA6136 X8 	ME0203 X8 	ME1669 X8 	ME1670 X6 	ME1671 X2 

TOOLS REQUIRED

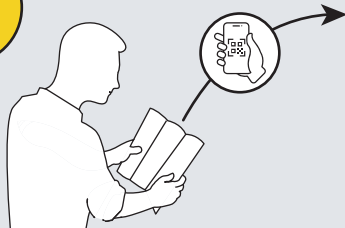
10MM X 1



13MM X 2



DRILL (Ø4 & Ø8) X 1

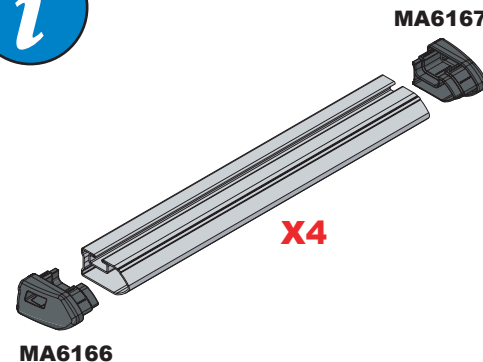


EN - SAFETY AND PRODUCT INFORMATION
DE - SICHERHEITS- UND PRODUKTINFORMATIONEN
FR - INFORMATIONS DE SÉCURITÉ ET DU PRODUIT
NL - VEILIGHEIDS- EN PRODUCTINFORMATIE
ES - INFORMACIÓN DE SEGURIDAD Y DEL PRODUCTO
IT - INFORMAZIONI SULLA SICUREZZA E SUL PRODOTTO

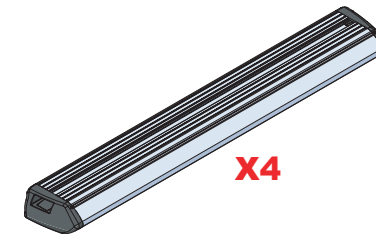
SV - SÄKERHETS- OCH PRODUKTINFORMATION
DA - SIKKERHEDS- OG PRODUKTINFORMATION
NO - SIKKERHETS- OG PRODUKTINFORMASJON
PL - INFORMACJE O BEZPIECZENSTWIE I PRODUKCIE
CS - INFORMACE O BEZPEČNOSTI A PRODUKTU



Customercare@van-guard.co.uk
UK +44 (0) 1392 368 351



ULTI Bar Trade
(Steel)



ULTI Bar+
(Aluminium)

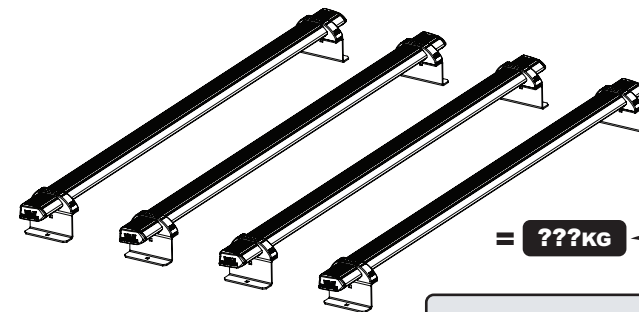
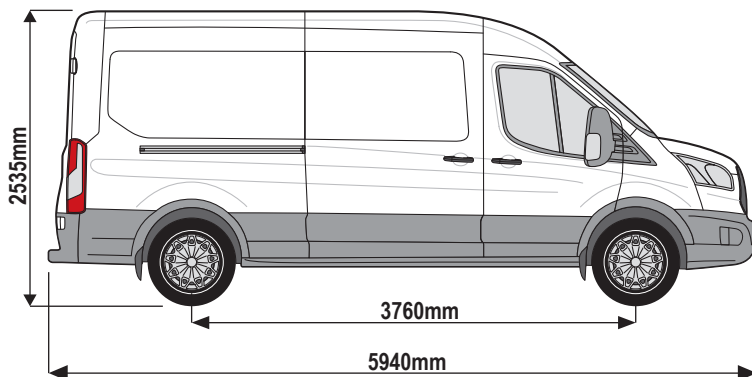
This FITTING INSTRUCTION is the property of VAN GUARD ACCESSORIES LTD. and must not be used for manufacturing purposes, copied nor communicated in any way to third parties without written permission from VAN GUARD ACCESSORIES LTD.

IN8335_C (CN:00183)

Van Guard Accessories Ltd
Fair Oak Close, Exeter Airport Business Park,
Exeter, Devon, EX5 2UL
www.van-guard.co.uk

342-4

Vehicle:
 Saic Maxus Deliver 9: 2020 on
Wheel Base: Long (L3)
Roof Height: High (H2)
Rear Doors: Twin



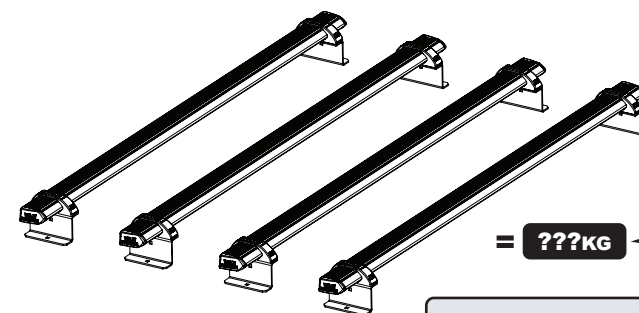
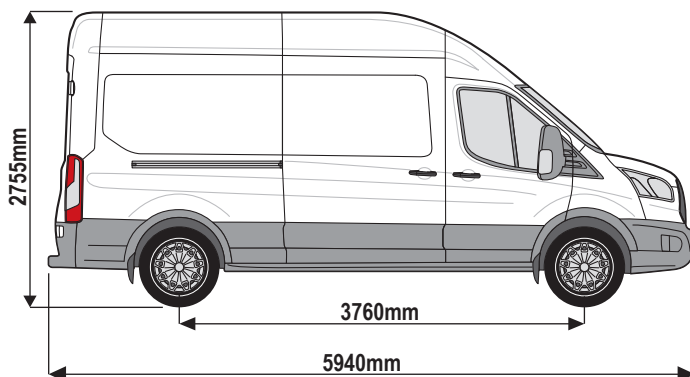
= ???KG

ULTI Bar Trade (Steel) = **17.4KG**

ULTI Bar+ (Aluminium) = **11.2KG**

342-4

Vehicle:
 Saic Maxus Deliver 9: 2020 on
Wheel Base: Long (L3)
Roof Height: Extra High (H3)
Rear Doors: Twin

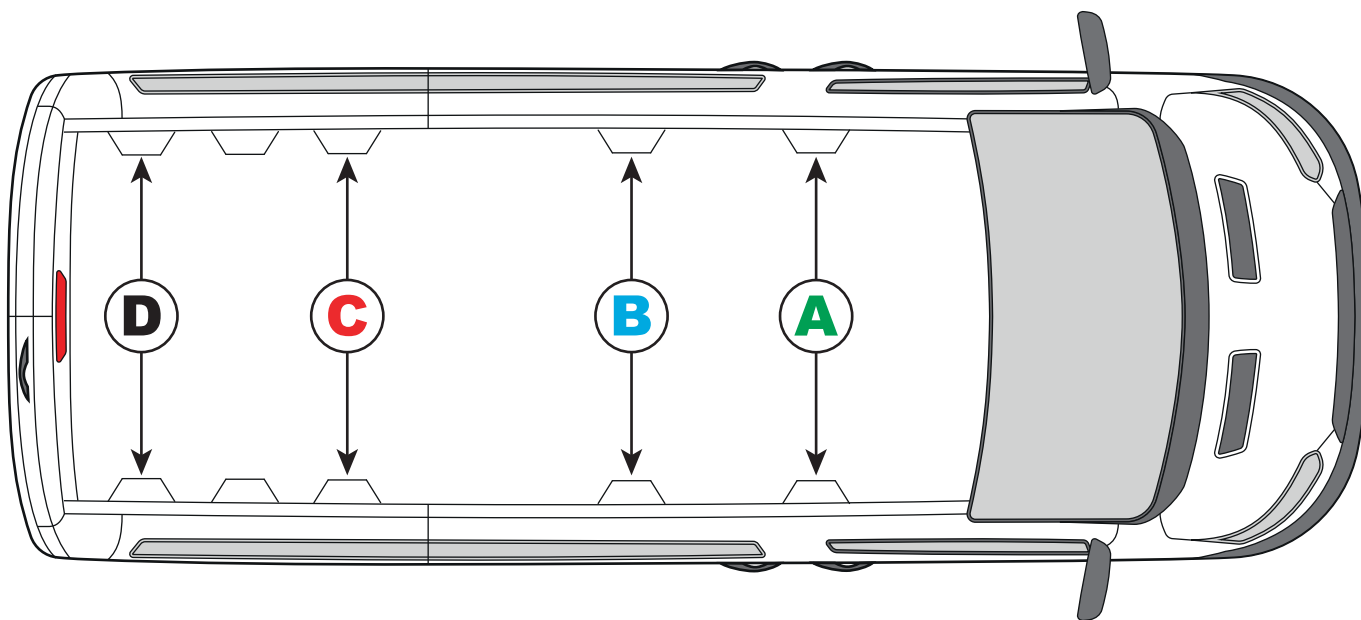
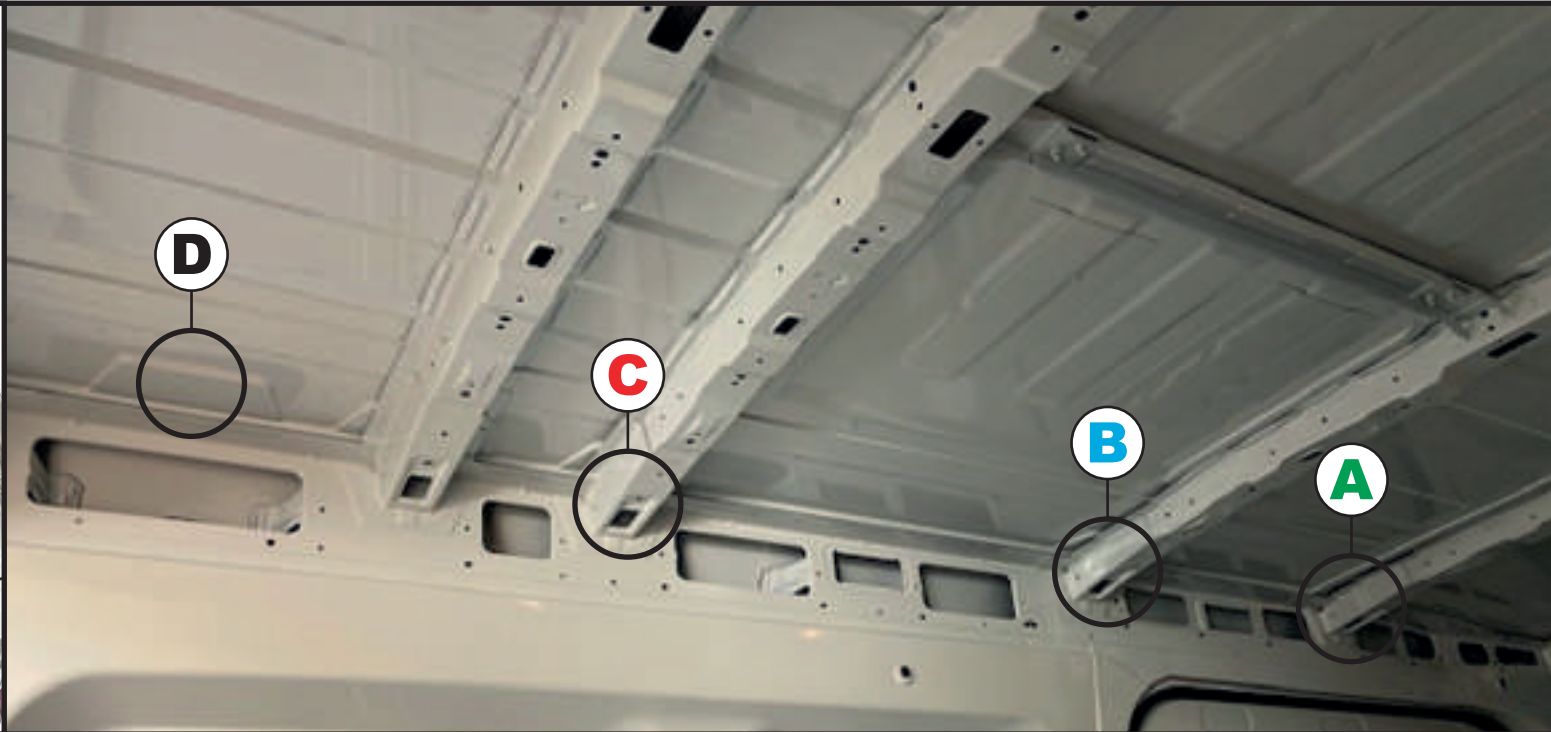
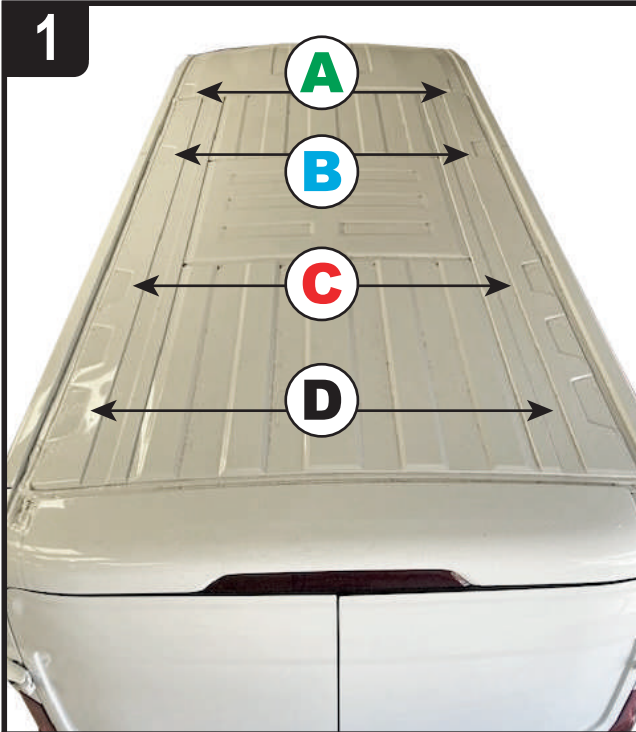


= ???KG

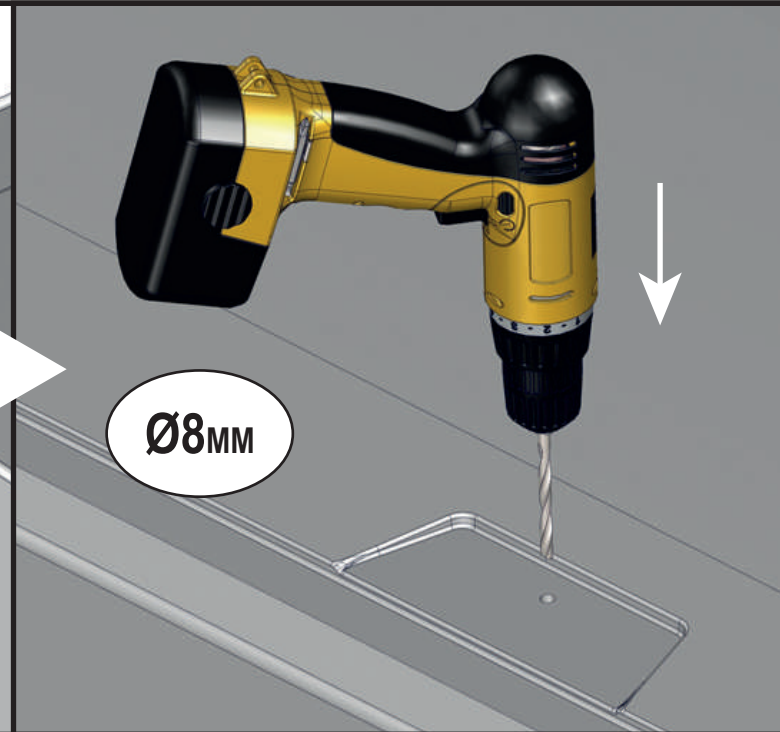
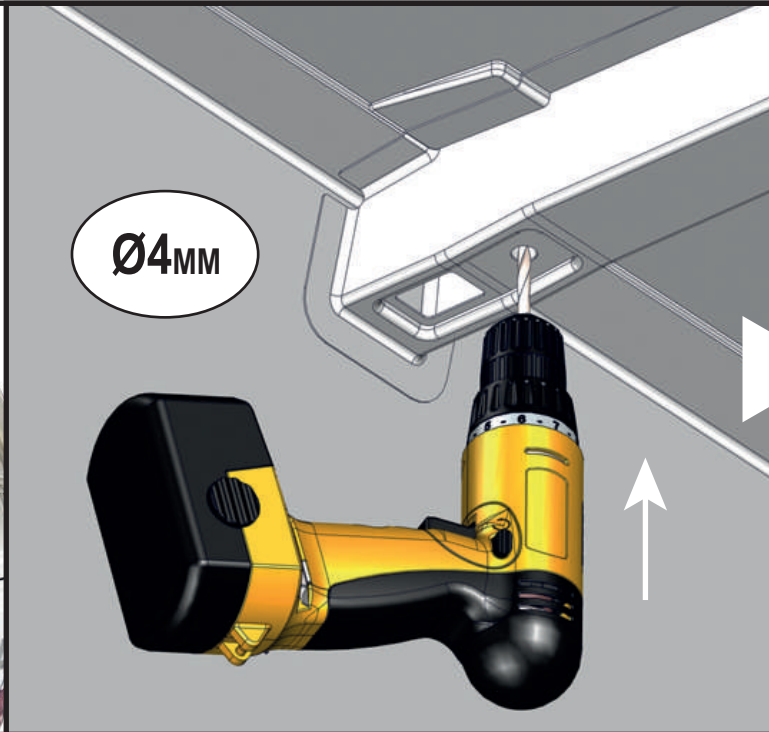
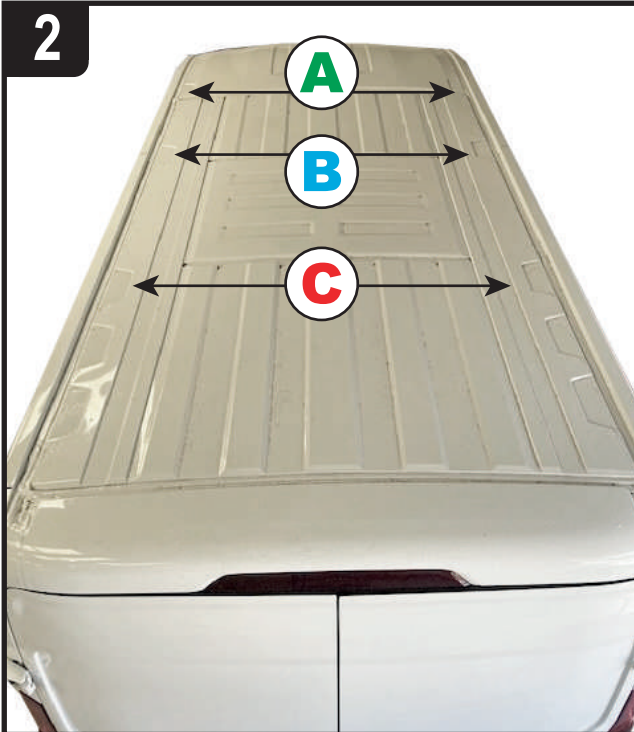
ULTI Bar Trade (Steel) = **17.4KG**

ULTI Bar+ (Aluminium) = **11.2KG**

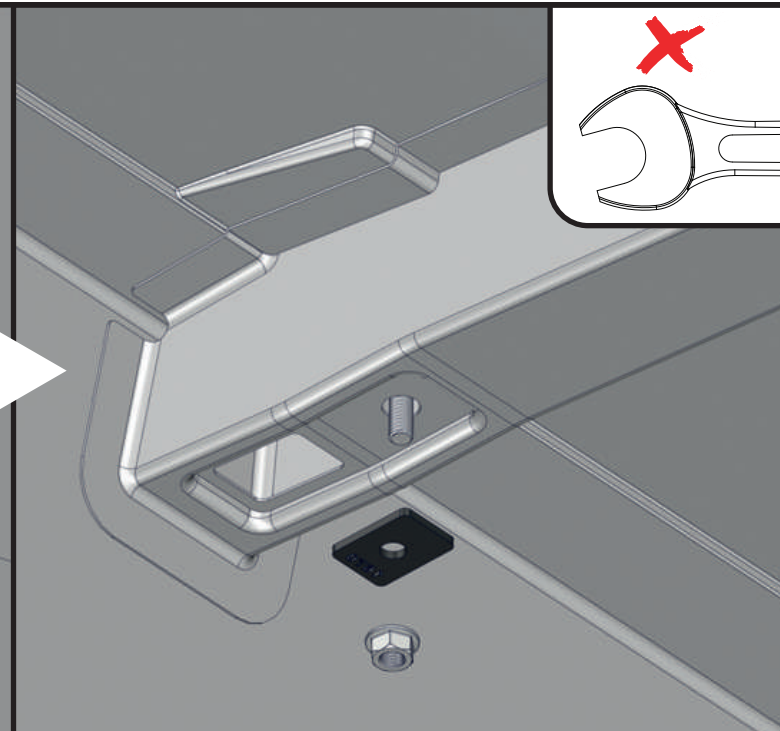
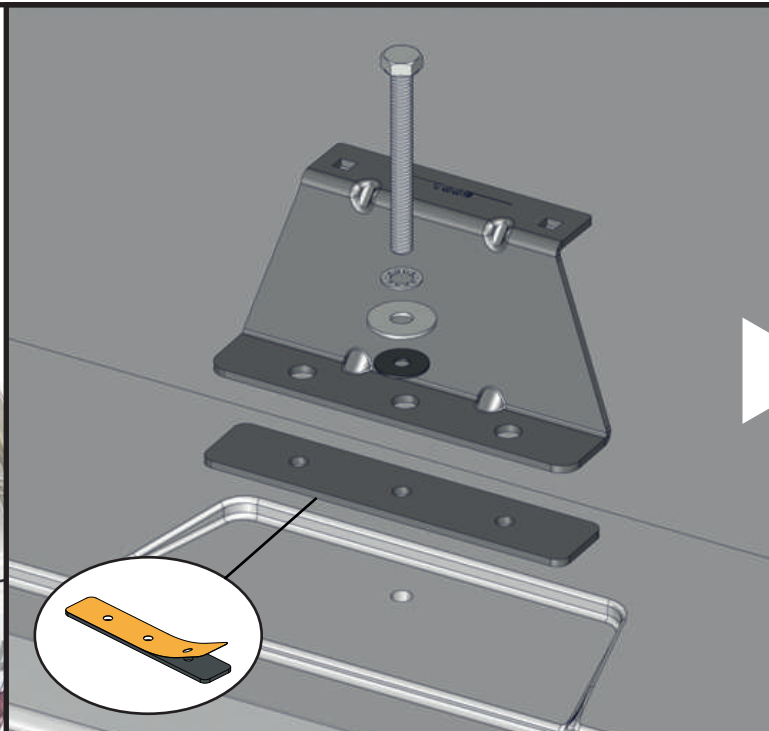
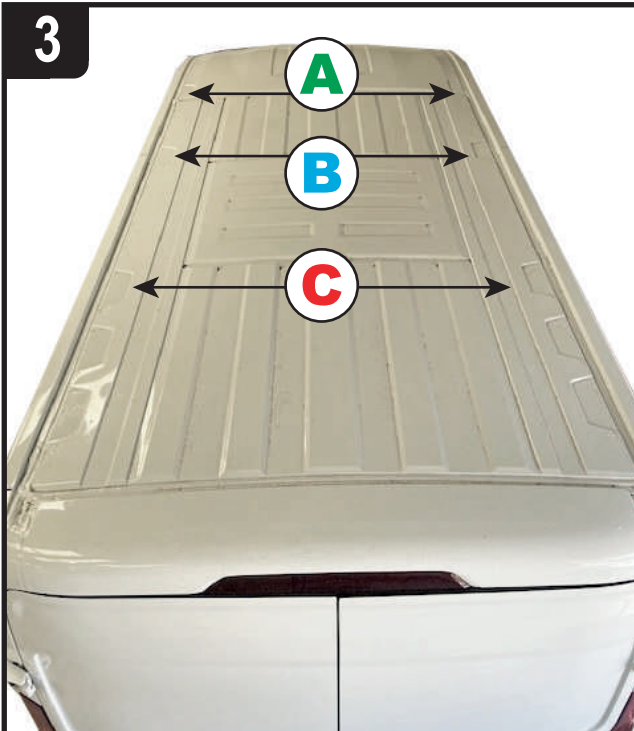
1



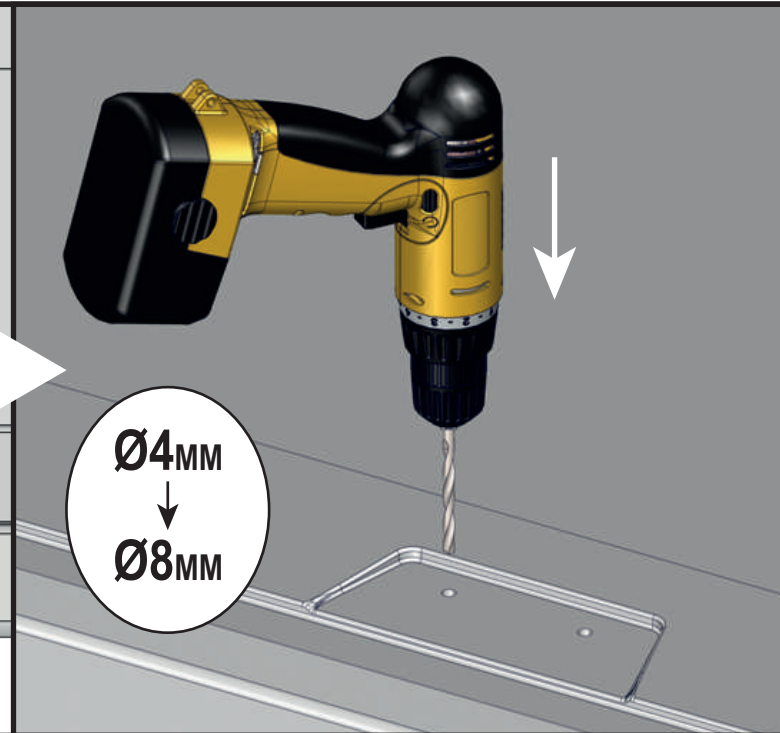
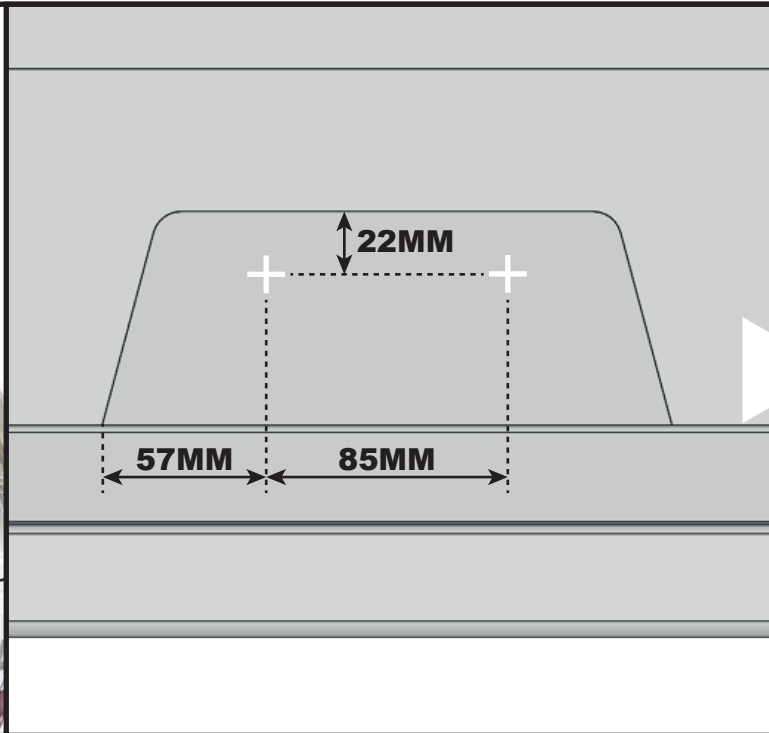
2



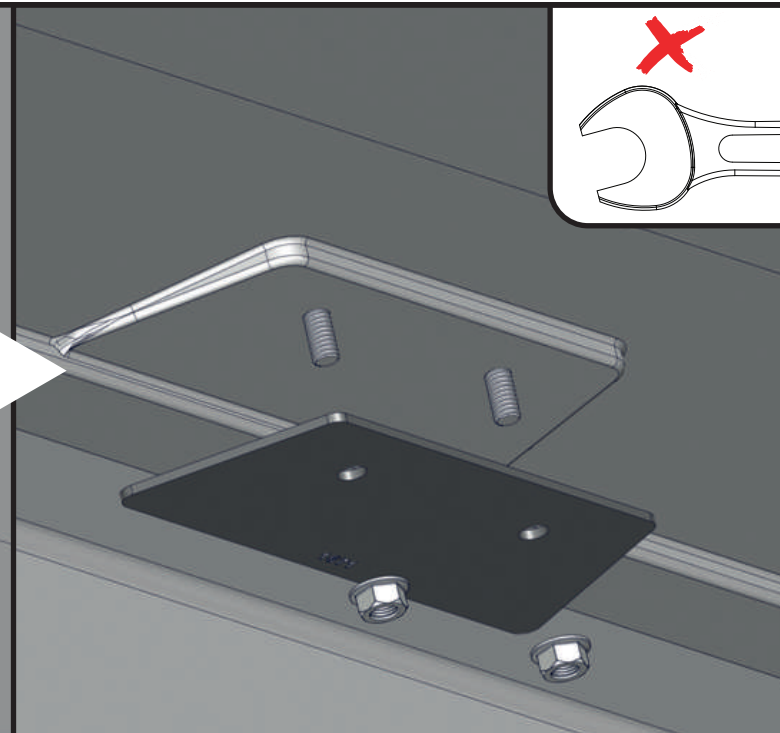
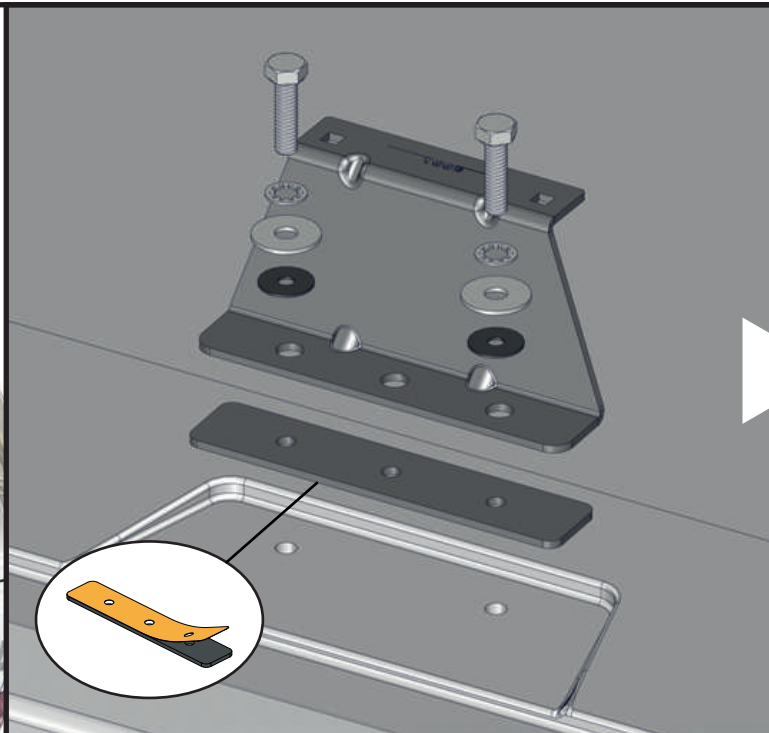
3



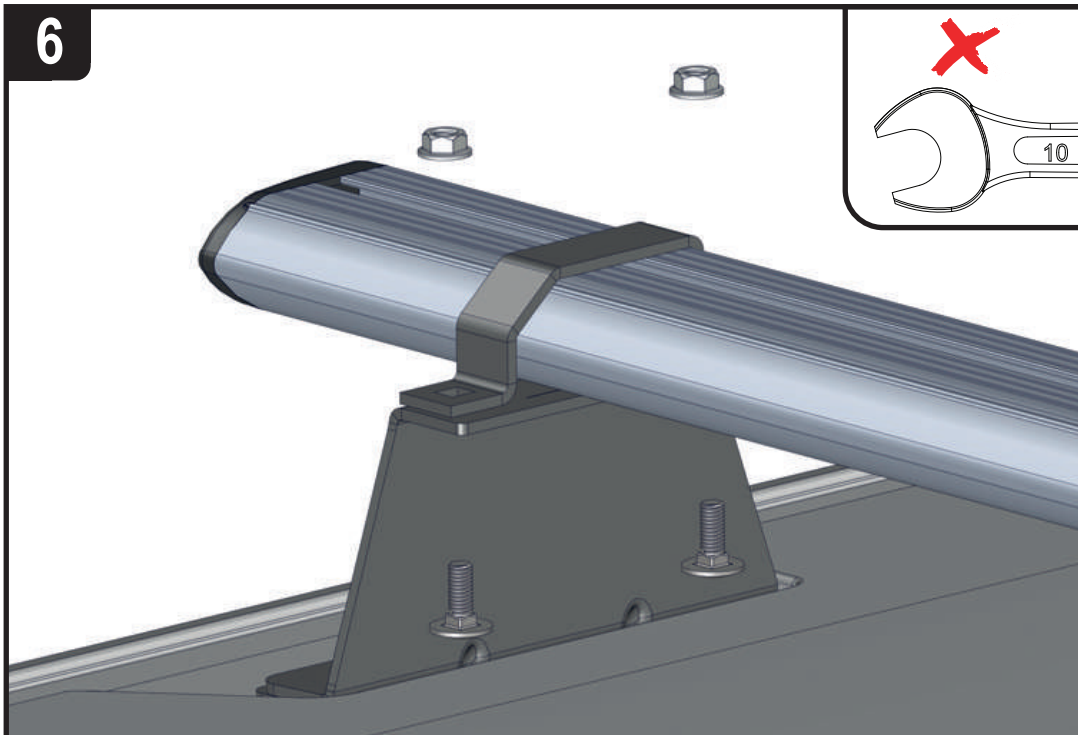
4



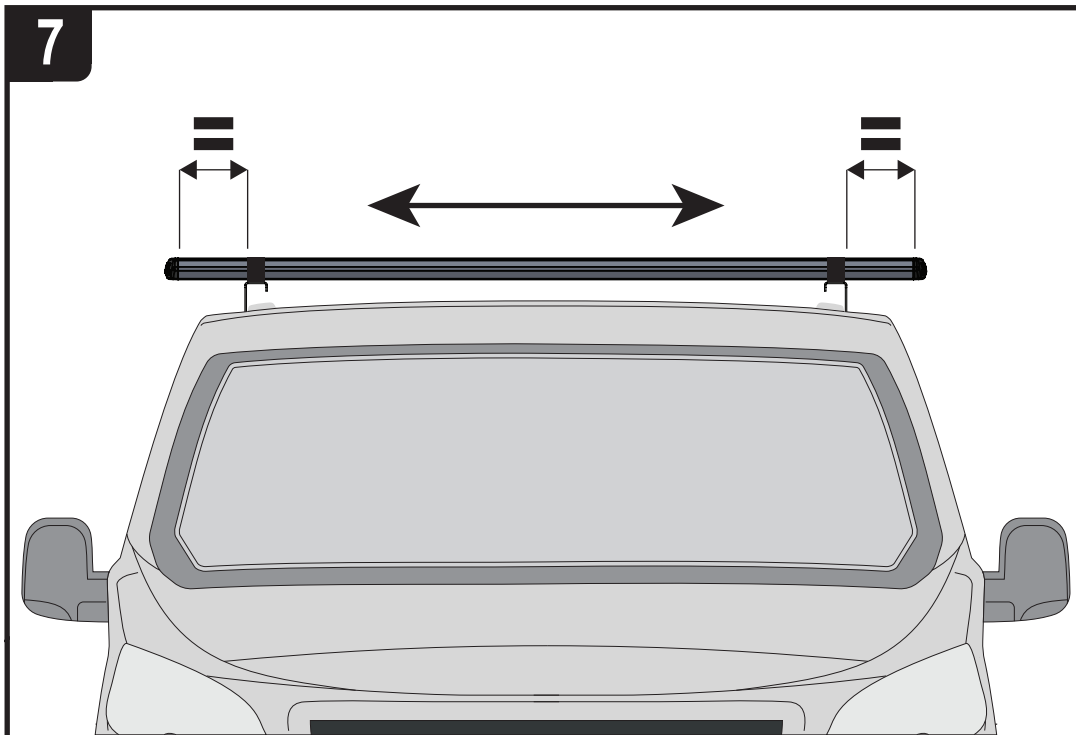
5



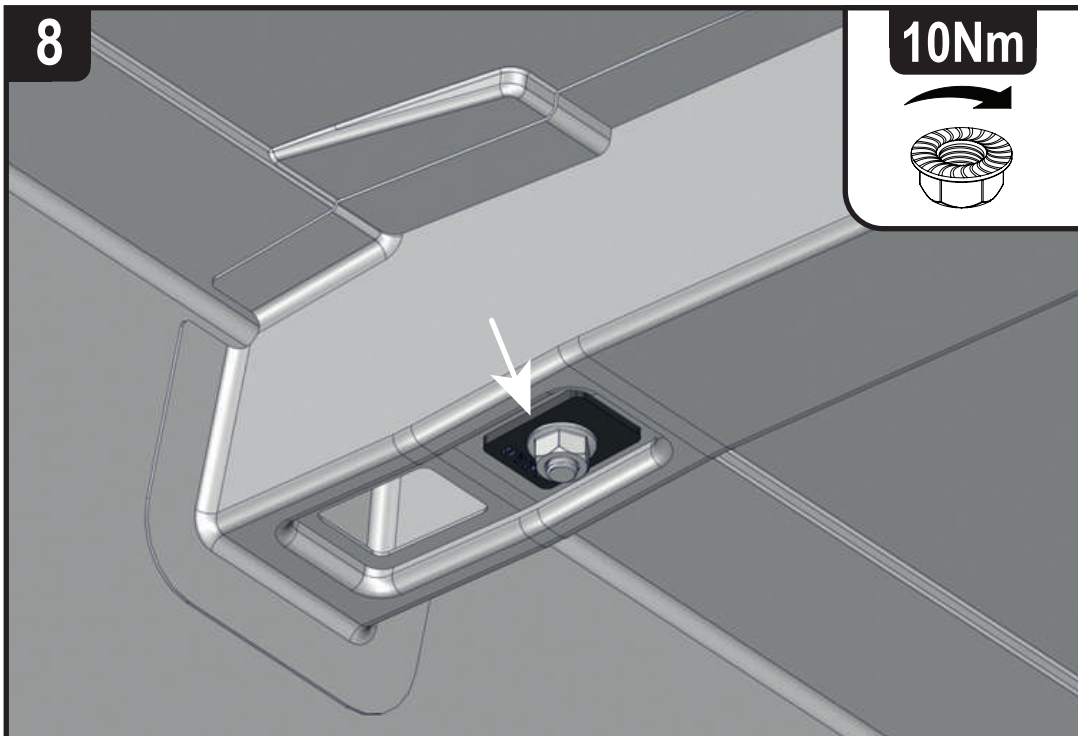
6



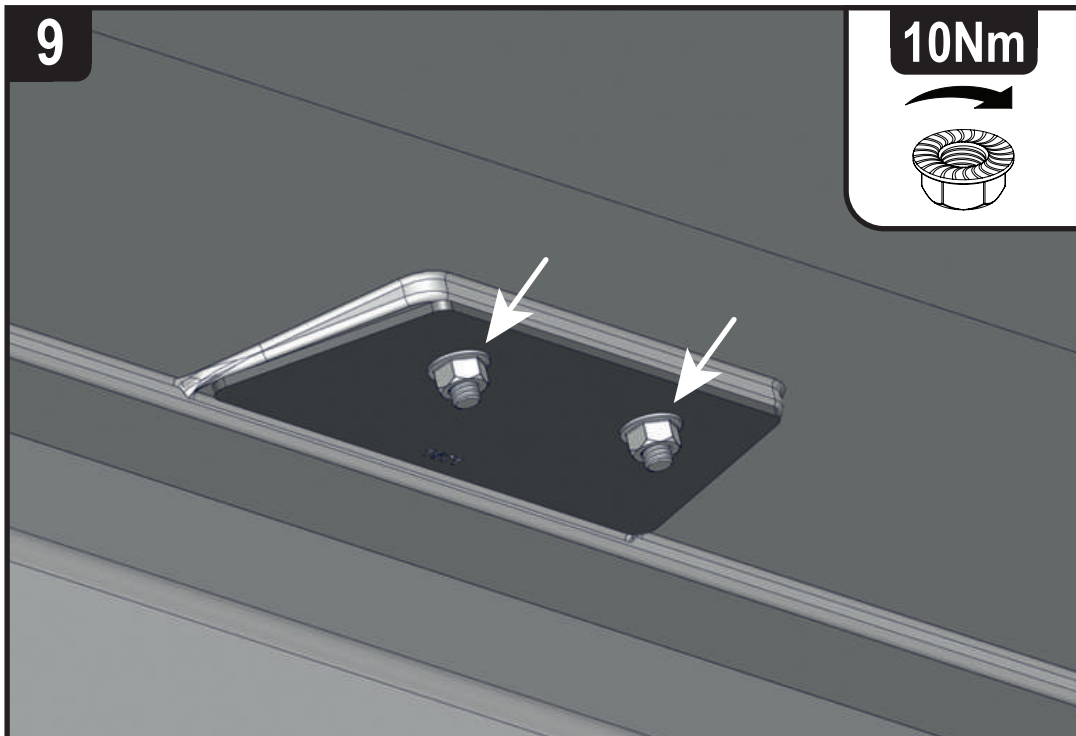
7



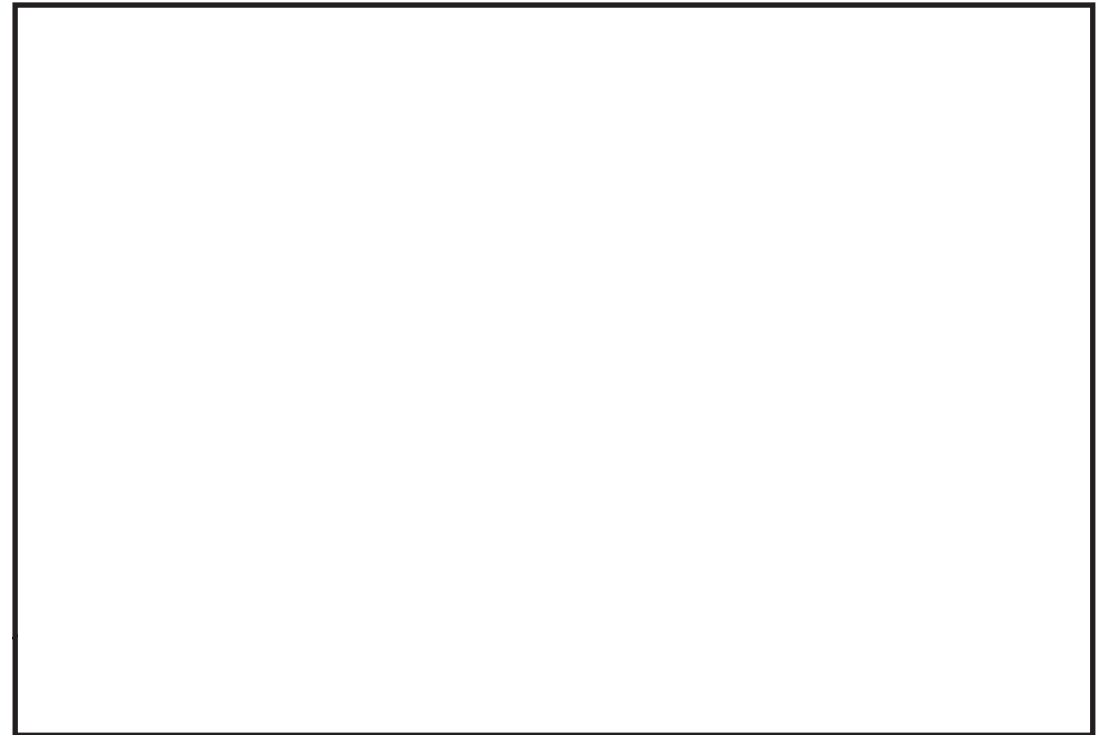
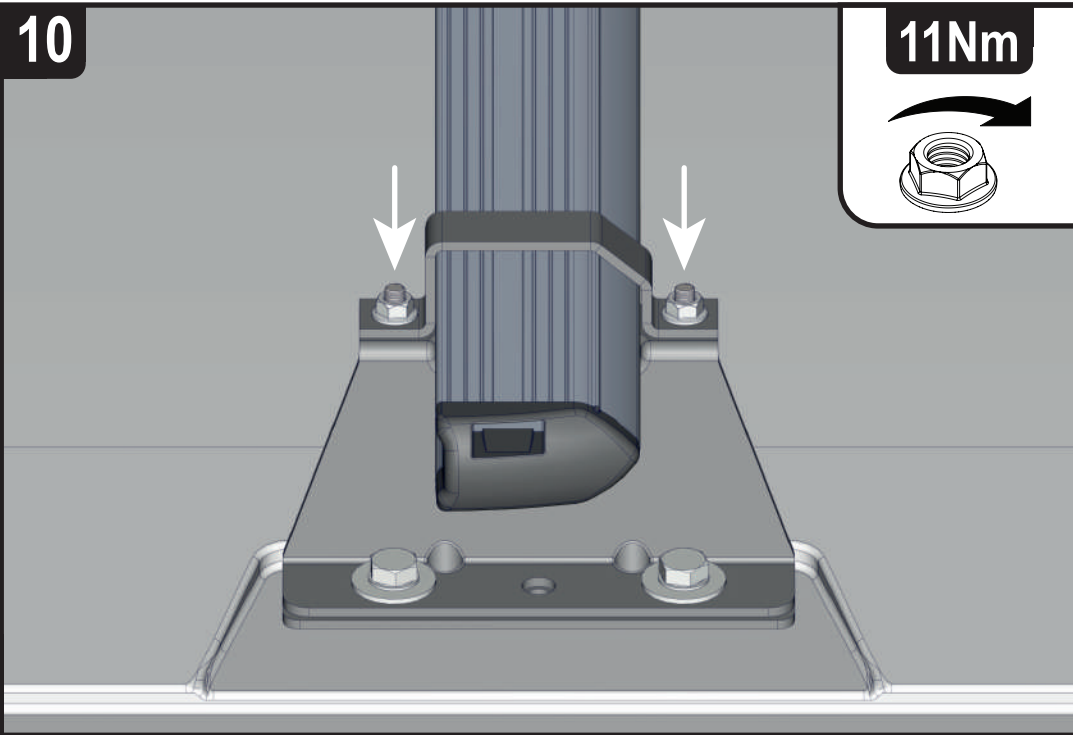
8



9

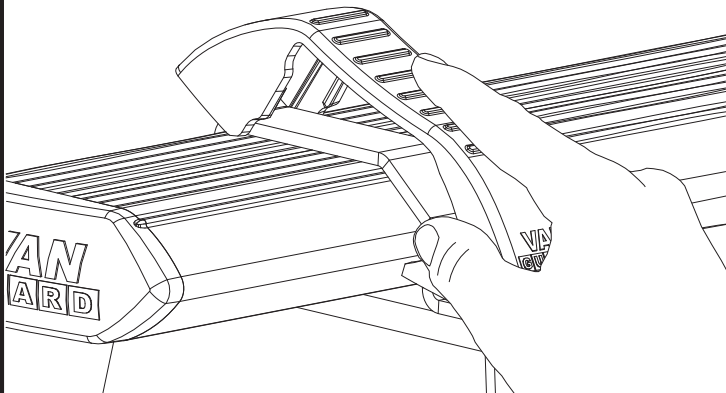


10

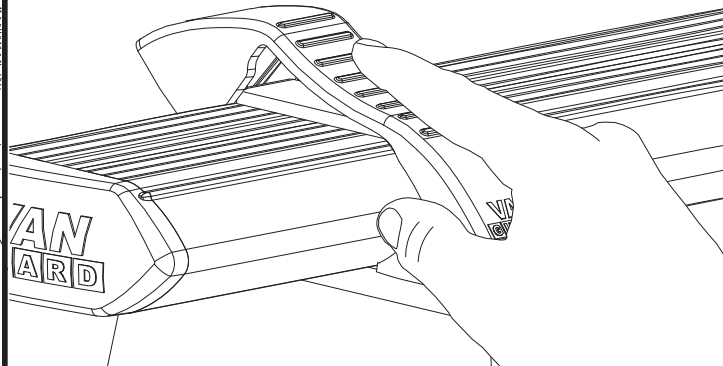


11

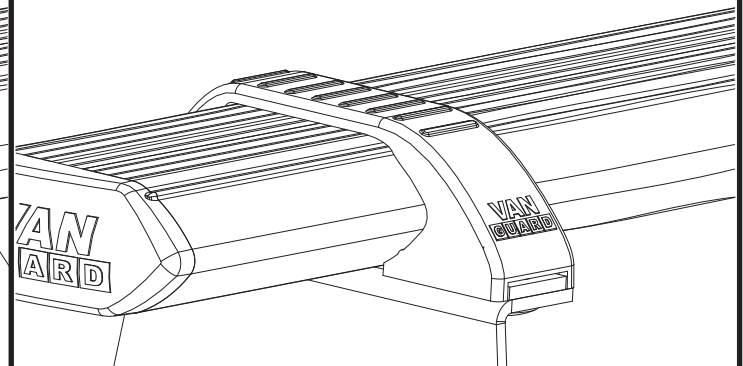
1.

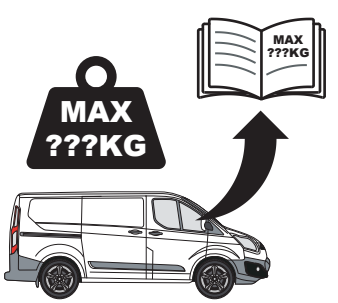


2.



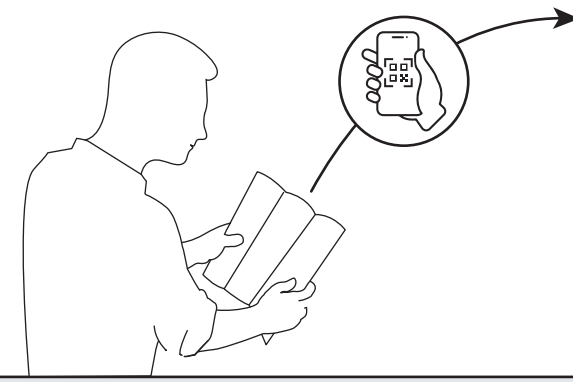
3.





**MAX
???KG**

ULTI Bar Trade <small>(Steel)</small>	ULTI Bar+ <small>(Aluminium)</small>
 X1	 X1



<p>EN - SAFETY AND PRODUCT INFORMATION</p> <p>DE - SICHERHEITS- UND PRODUKTINFORMATIONEN</p> <p>FR - INFORMATIONS DE SÉCURITÉ ET DU PRODUIT</p> <p>NL - VEILIGHEIDS- EN PRODUCTINFORMATIE</p> <p>ES - INFORMACIÓN DE SEGURIDAD Y DEL PRODUCTO</p> <p>IT - INFORMAZIONI SULLA SICUREZZA E SUL PRODOTTO</p>	<p>SV - SÄKERHETS- OCH PRODUKTINFORMATION</p> <p>DA - SIKKERHEDS- OG PRODUKTINFORMATION</p> <p>NO - SIKKERHETS- OG PRODUKTINFORMASJON</p> <p>PL - INFORMACJE O BEZPIECZENSTWIE I PRODUKCIE</p> <p>CS - INFORMACE O BEZPEČNOSTI A PRODUKTU</p>
---	--