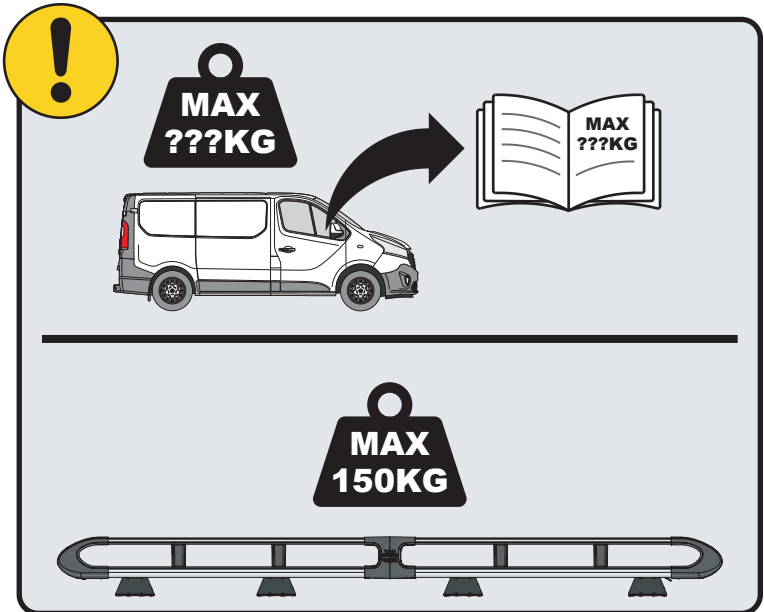
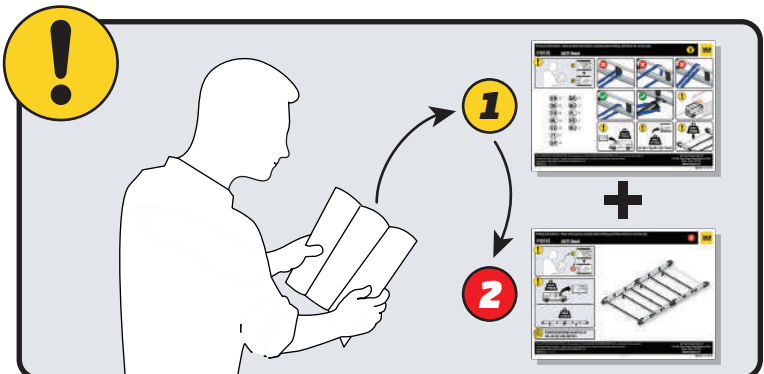


IN8343

ULTI Rack+



Customercare@van-guard.co.uk
UK +44 (0) 1392 368 351



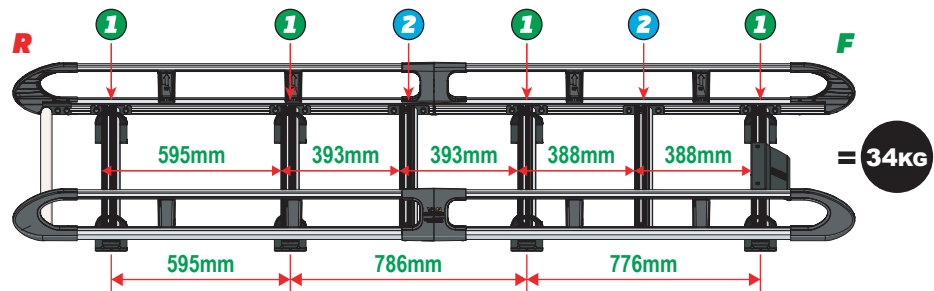
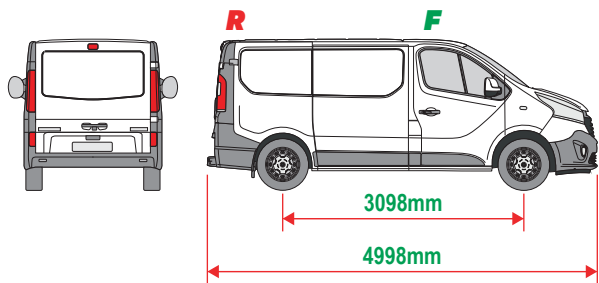
This FITTING INSTRUCTION is the property of VAN GUARD ACCESSORIES LTD. and must not be used for manufacturing purposes, copied nor communicated in any way to third parties without written permission from VAN GUARD ACCESSORIES LTD.
IN8343_A (CN:NR)

Van Guard Accessories Ltd
Fair Oak Close, Exeter Airport Business Park,
Exeter, Devon, EX5 2UL
www.van-guard.co.uk

THIS INSTRUCTION COVERS THE FOLLOWING MODELS - CHECK YOU ARE FITTING THE CORRECT MODEL BEFORE PROCEEDING

VGUR-264

Fiat Talento: 2016-2020
Nissan NV300: 2016-2021
Nissan Primastar: 2022 on
Renault Trafic: 2014 on
Vauxhall Vivaro: 2014-2019
L1H1 (SWB)
Tailgate



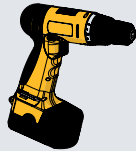
SUPPLIED COMPONENTS - CHECK ALL PARTS ARE PRESENT AND CORRECT BEFORE PROCEEDING (1 OF 2)

TOOLS REQUIRED

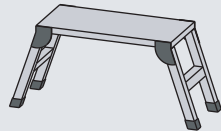
10MM X1



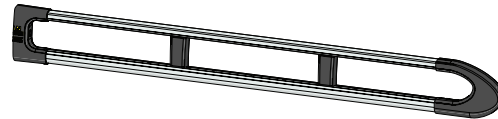
13MM X1



21MM X1



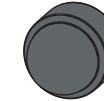
AS3537 X2
(2600 / A)



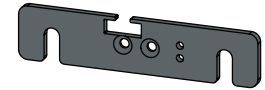
MA6118 X12



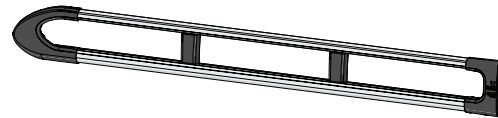
FX4241 X28



ME1622 X2



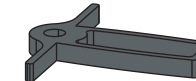
AS3536 X2
(2600 / B)



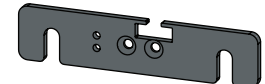
FX4008 X1



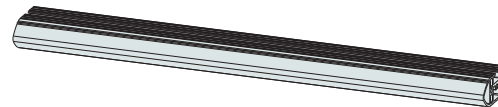
MA6145 X1



ME1623 X2



ME1628 X6
(1554mm)



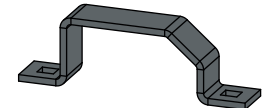
FX4001 X2
(M8X40)



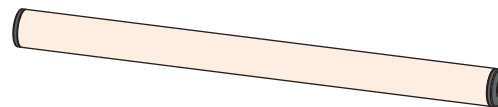
FX4235 X24
(M5X25)



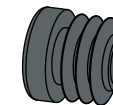
ME0203 X8



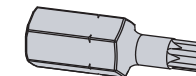
AS3160 X1
(1540mm)



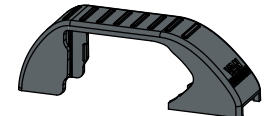
MA6007 X4



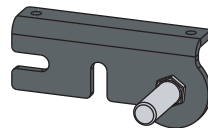
FX4248 X1
(T25)



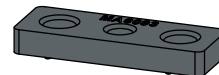
MA6065 X8



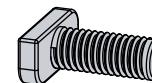
AS3590 X1



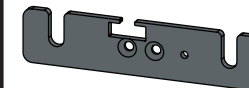
MA6093 X14



FX4239 X28
(M8X20)



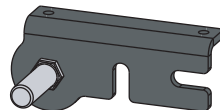
ME1620 X4



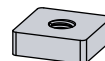
FX4016 X16
(M6)



AS3591 X1



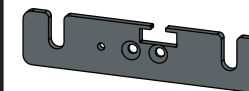
ME0316 X14



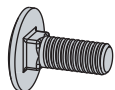
FX4240 X28
(M8)



ME1621 X4



FX4042 X16
(M6X16)



SUPPLIED COMPONENTS - CHECK ALL PARTS ARE PRESENT AND CORRECT BEFORE PROCEEDING (2 OF 2)

ME0355 X1

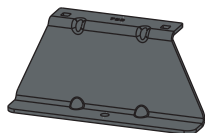


FX4017 X2

(M6)



ME0793 X2

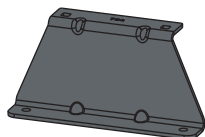


FX4021 X14

(M6X25)

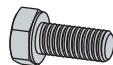


ME0794 X6



FX4061 X2

(M6X14)

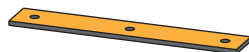


FX4010 X16

(M6)

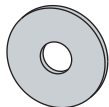


MA6024 X8



FX4013 X14

(M6)

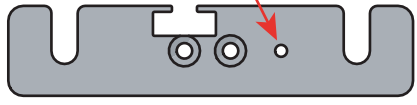


FX4014 X14



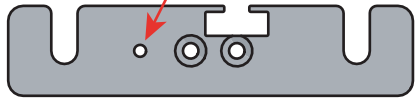
01

1L



X4

1R



X4

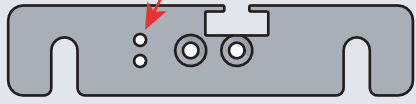


2L



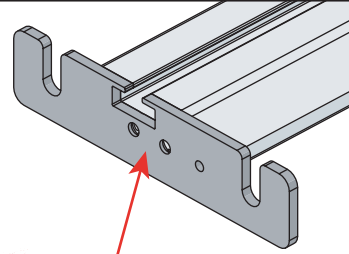
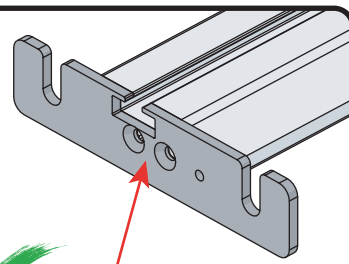
X2

2R



X2

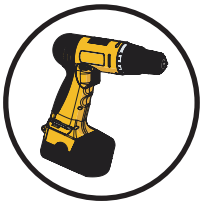
02



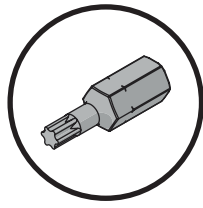
03

01

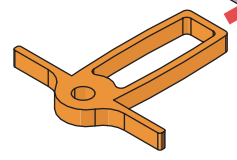
FX4248



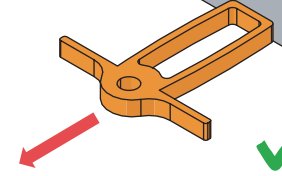
+



02



04

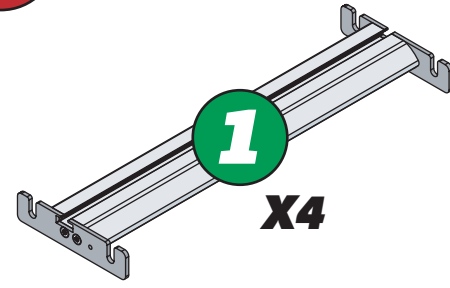


11Nm

04

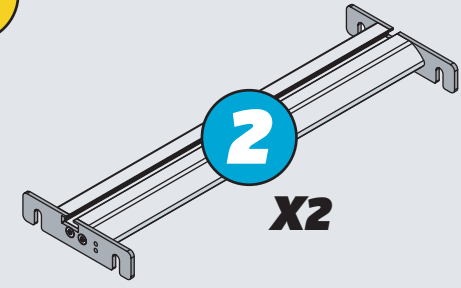


1

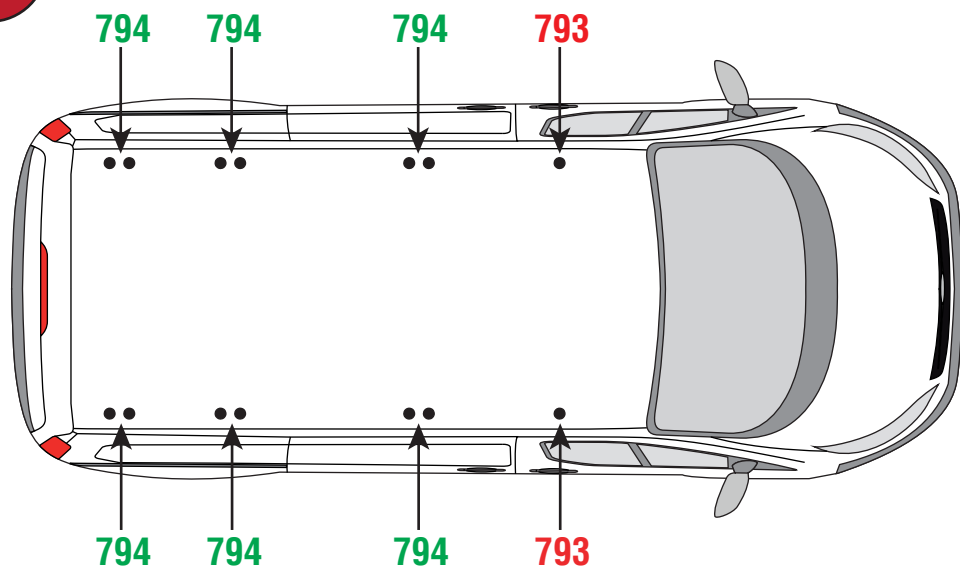
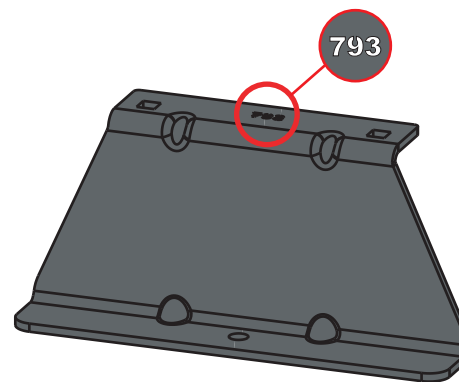
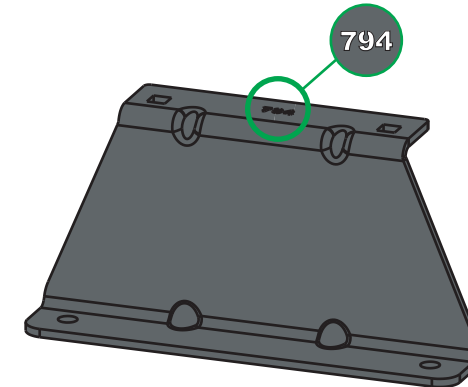
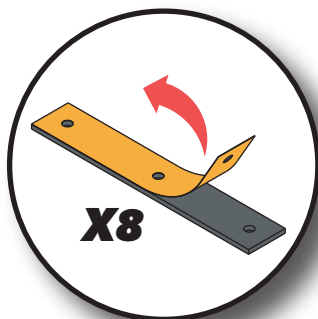
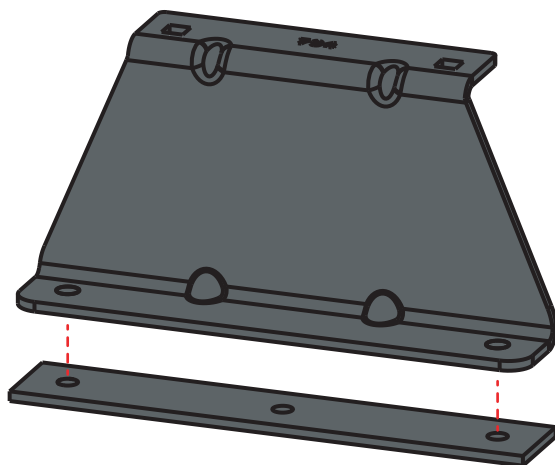


X4

2

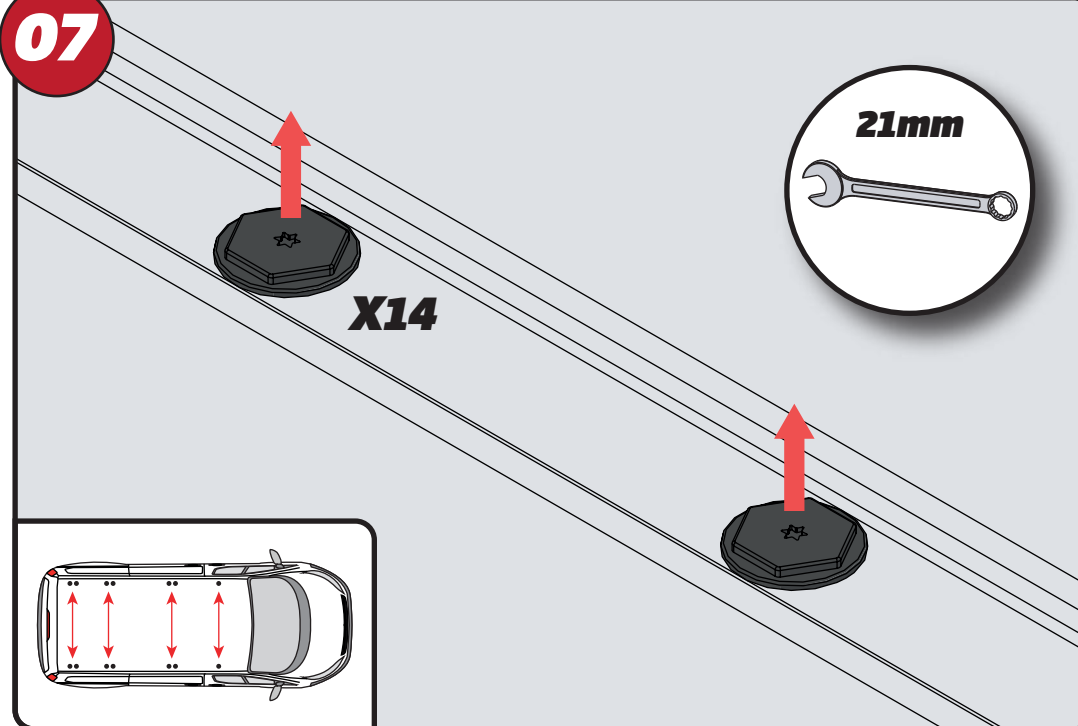


X2

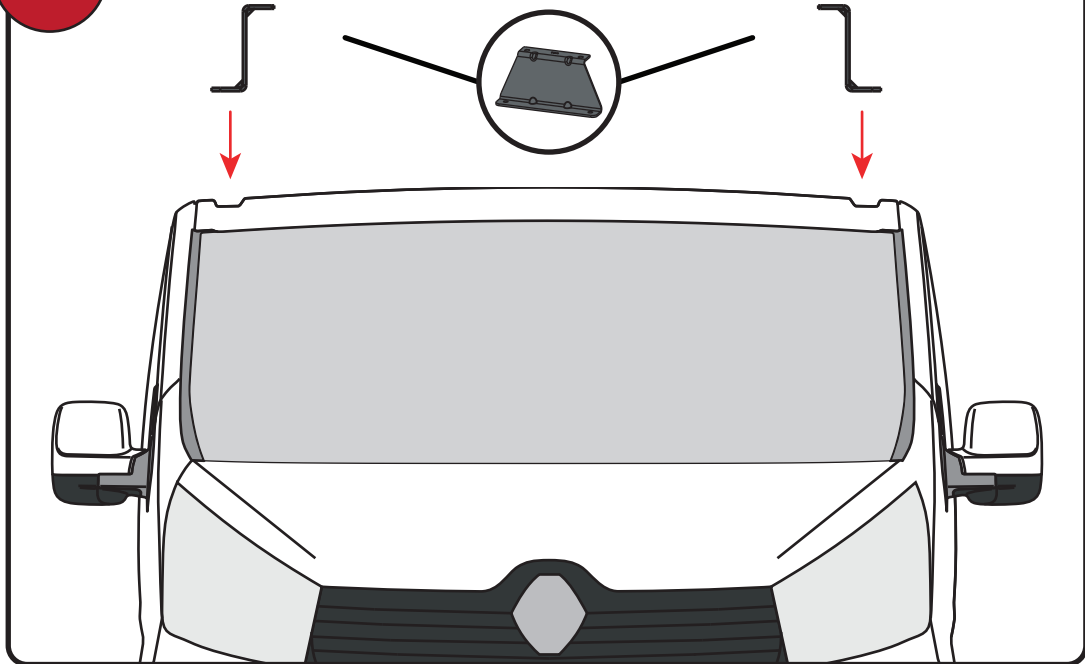
05**793****794****06****X8**

EN - STICK GASKETS TO ALL BRACKETS
 DE - KLEBEN SIE DIE DICHTUNG AN ALLEN HALTERUNGEN
 FR - COUSSINETS ADHÉSIFS À TOUS LES SUPPORTS
 NL - PLAK PAKKING OP ALLE BEUGELS
 ES - PEGA LAS ALMOHADILLAS A TODOS LOS SOPORTES
 IT - ADESIVI GUARNIZIONI A TUTTE LE STAFFE

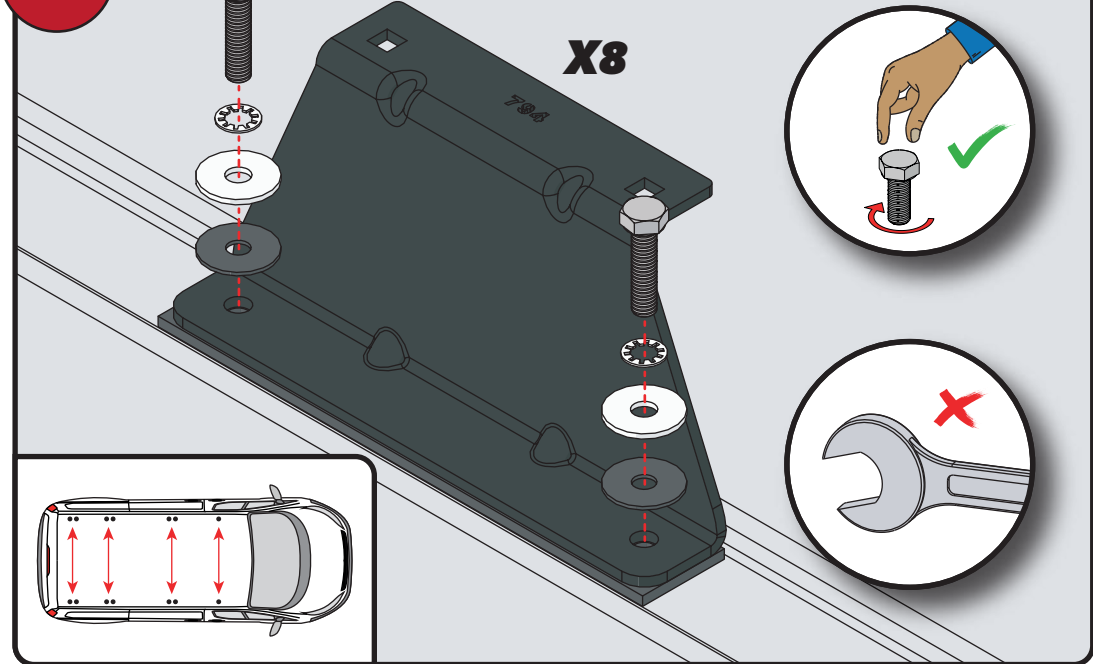
SV - FÄST GUMMI PÅ ALLA FÄSTEN
 DA - KLÆB GUMMI PÅ ALLE BESLAG
 NO - PLIST GUMMI PÅ ALLE BRACKETTER
 PL - NAKLEJ USZCZELKI DO WSZYSTKICH WSPORNIKÓW
 CS - PŘILEPTE TĚSNĚNÍ NA VŠECHNY DRŽÁKY

07**21mm****X14**

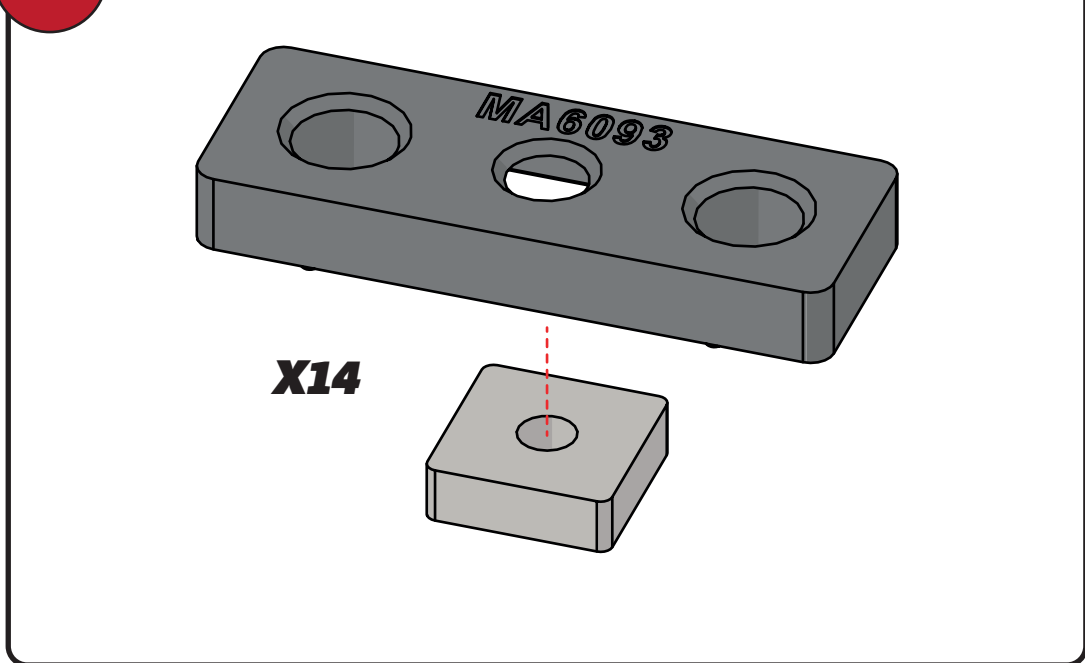
08



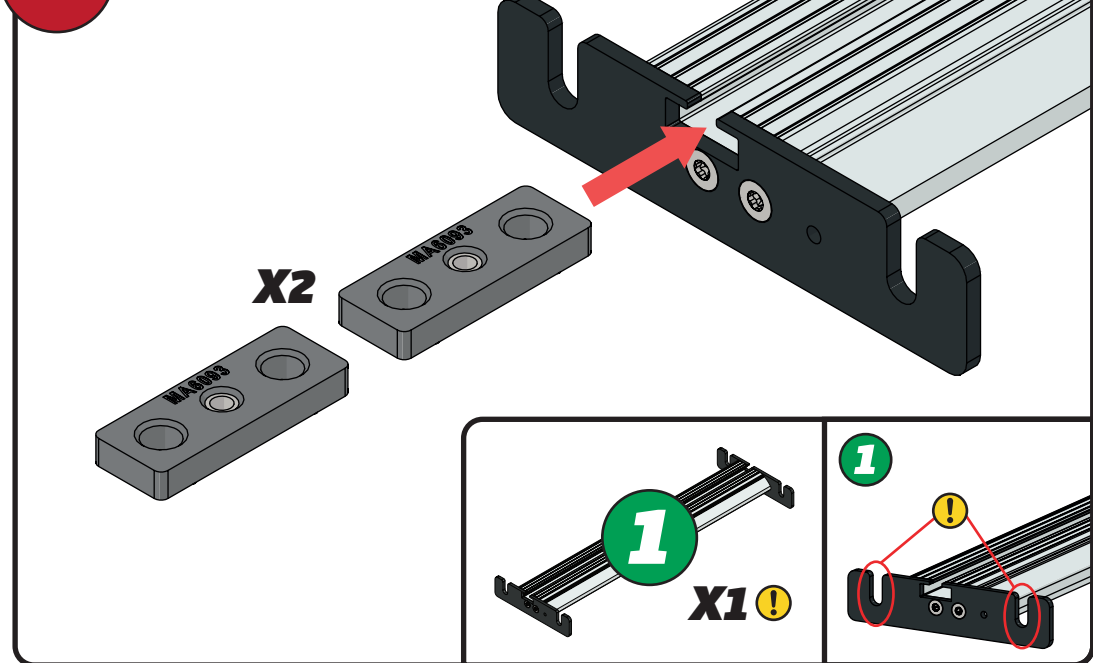
09

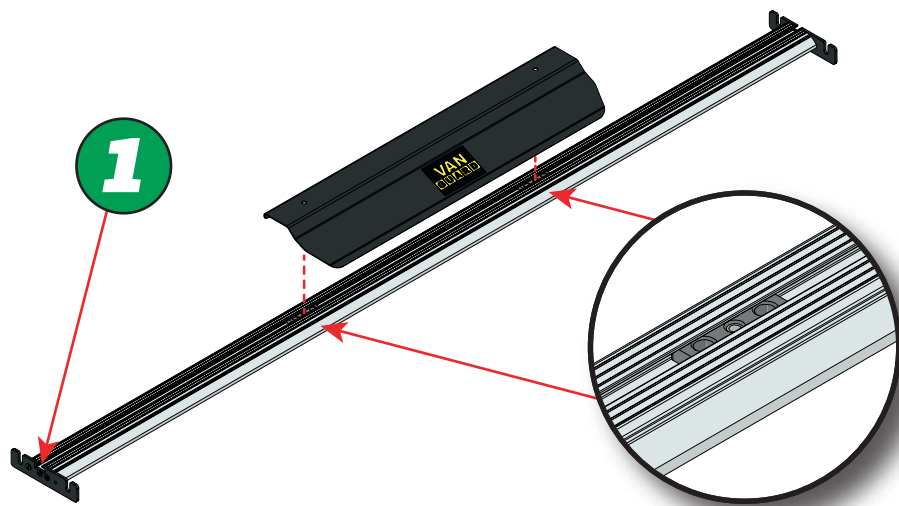
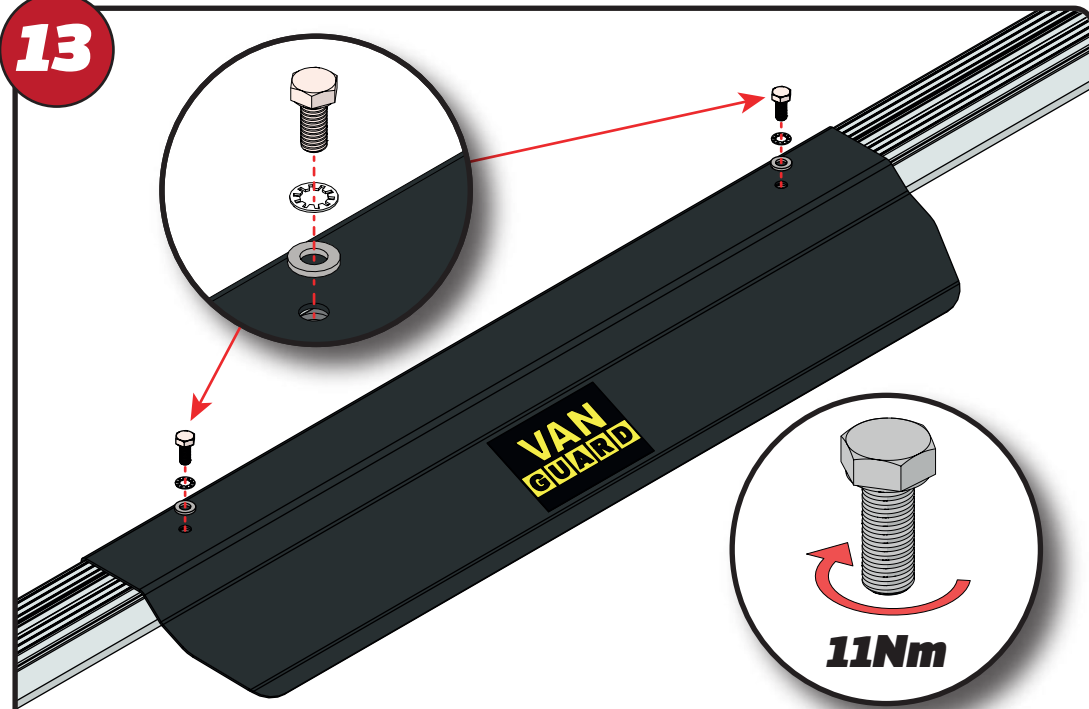
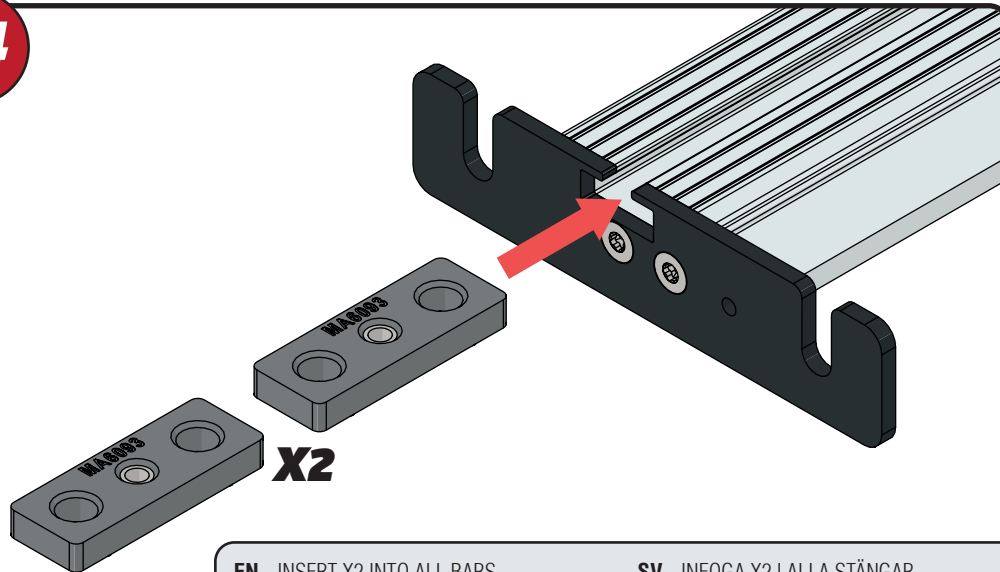


10

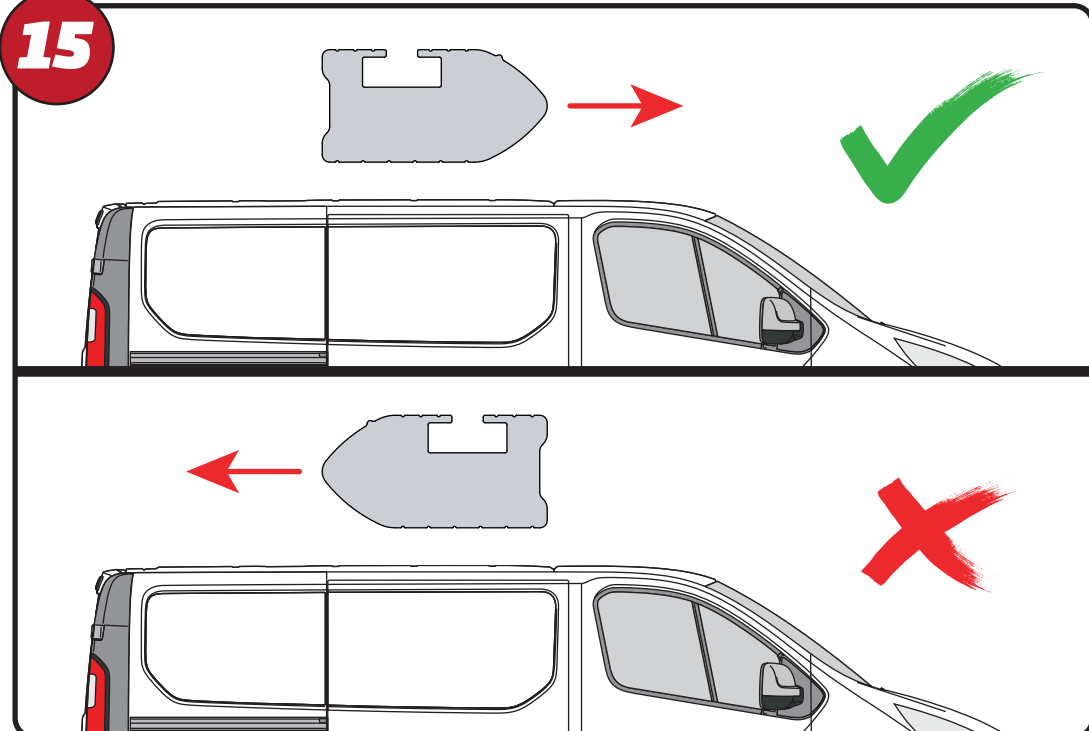


11

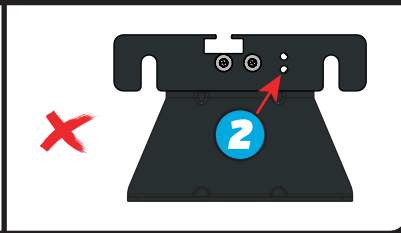
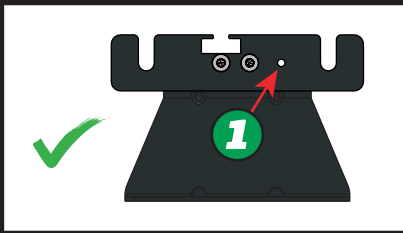
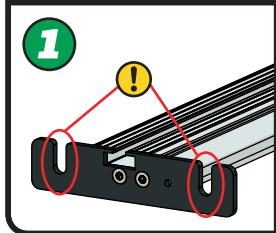
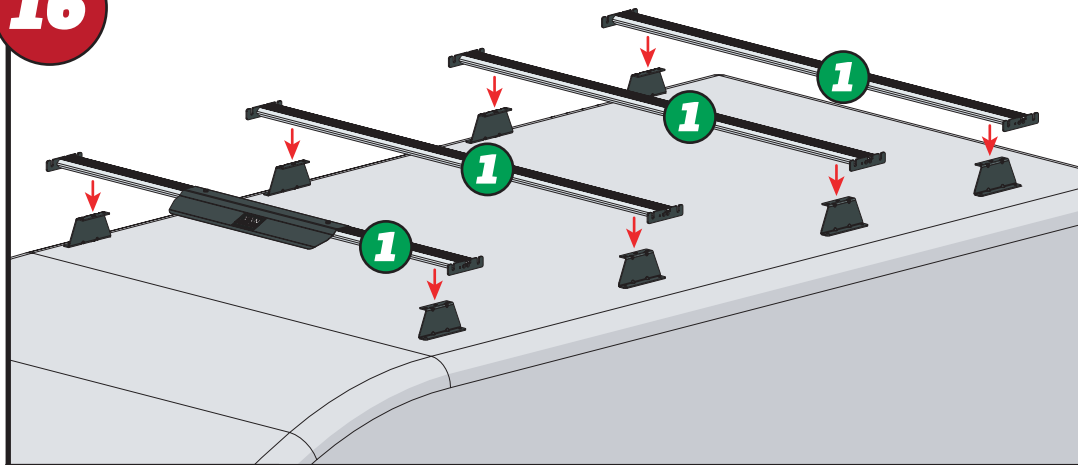


12**13****14**

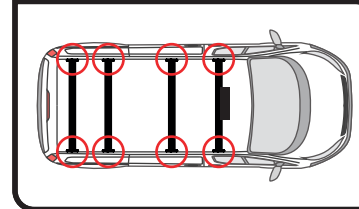
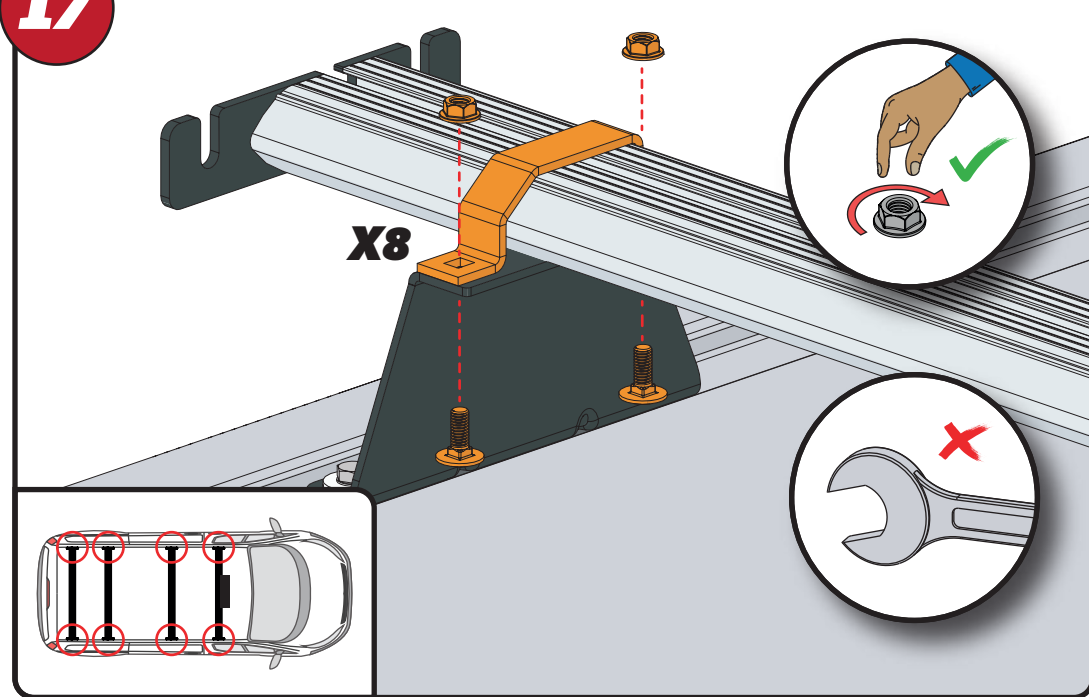
| | |
|--|------------------------------------|
| EN - INSERT X2 INTO ALL BARS | SV - INFOGA X2 I ALLA STÄNGAR |
| DE - X2 IN ALLE STANGEN EINFÜGEN | DA - INDSÆT X2 I ALLE STÆNGER |
| FR - INSÉRER X2 DANS TOUTES LES BARRES | NO - SETT X2 INN I ALLE TAKSTENGER |
| NL - PLAATS X2 IN ALLE BARS | PL - WSTAW X2 DO WSZYSTKICH PRĘTÓW |
| ES - INSERTAR X2 EN TODAS LAS BARRAS | CS - VLOŽTE X2 DO VŠECH TYČÍ |
| IT - INSERIRE X2 IN TUTTE LE BARRE | |

15

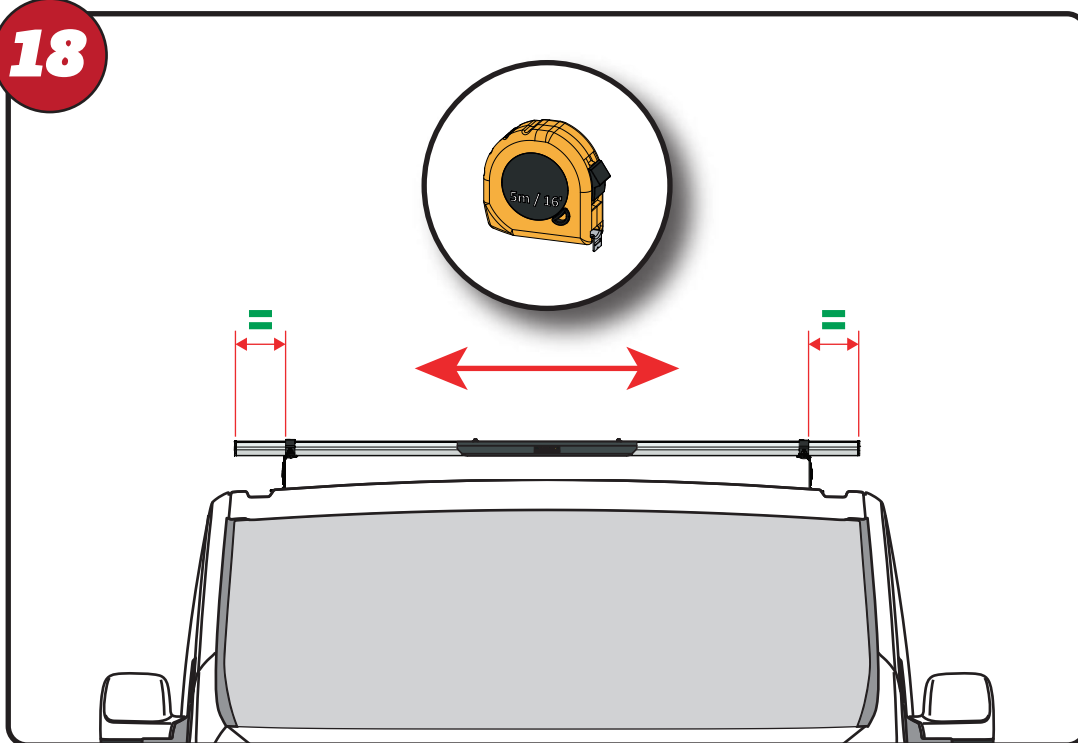
16



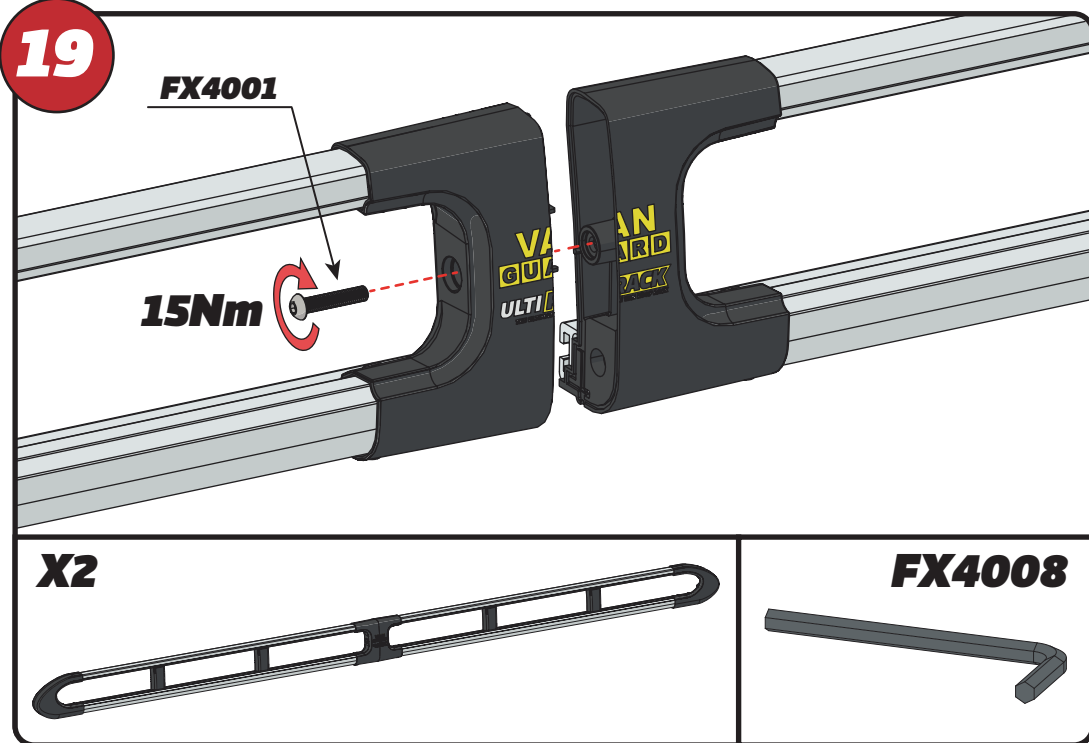
17



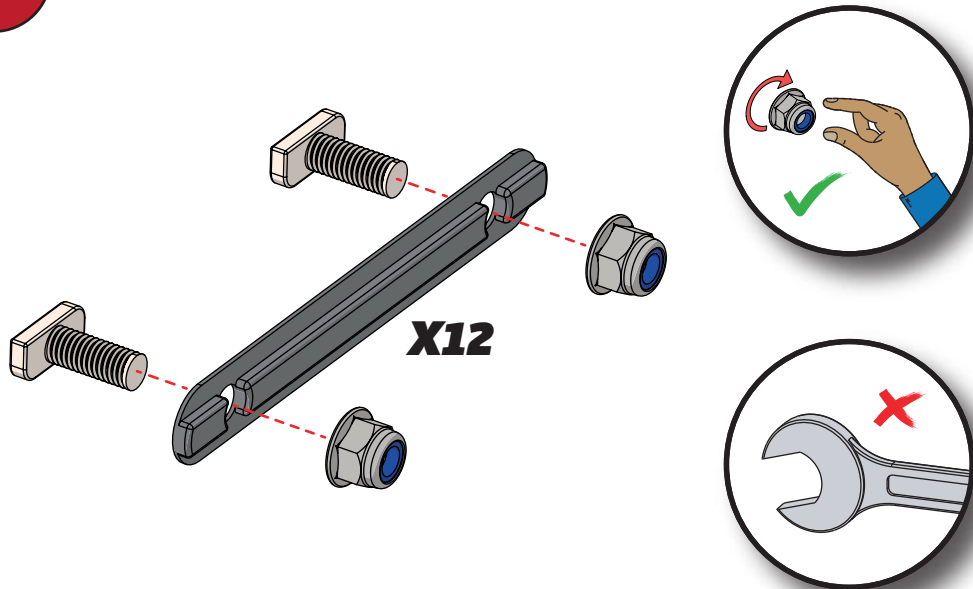
18



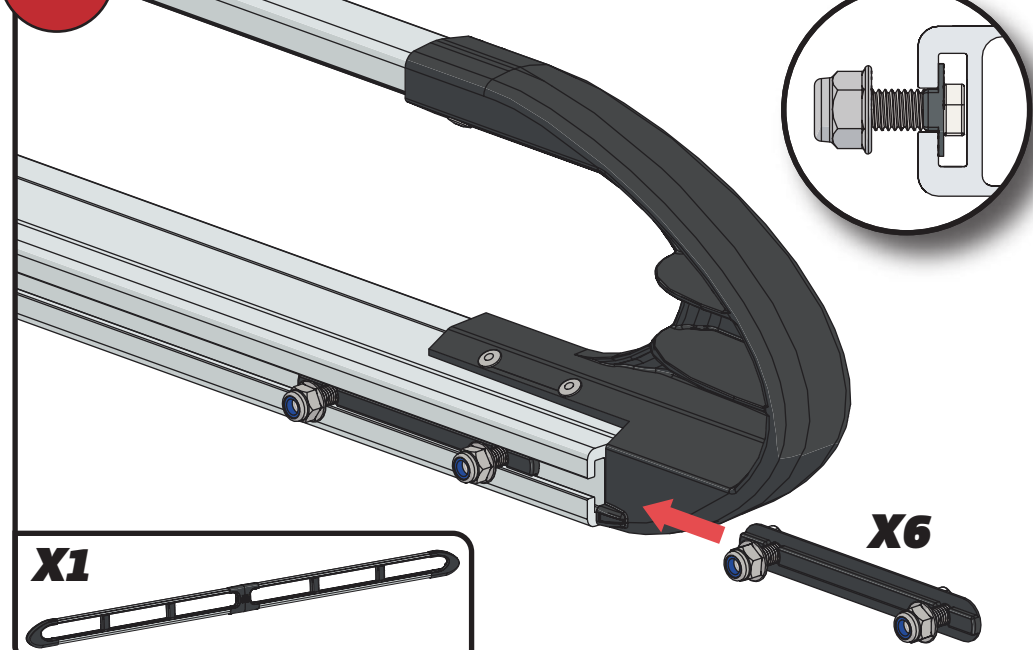
19



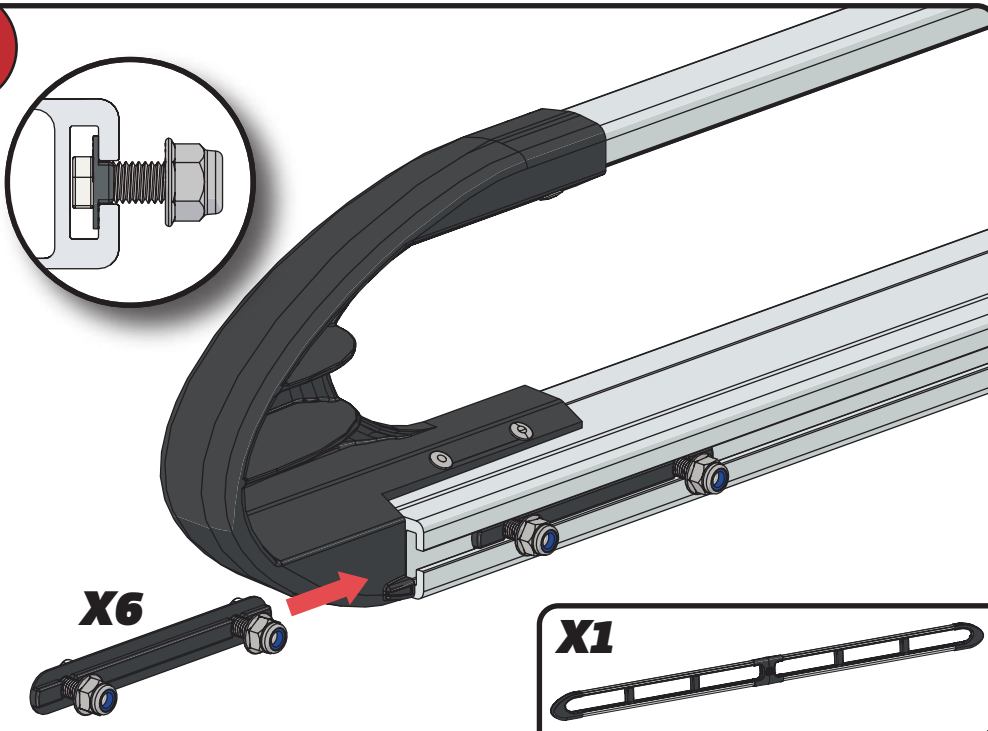
20



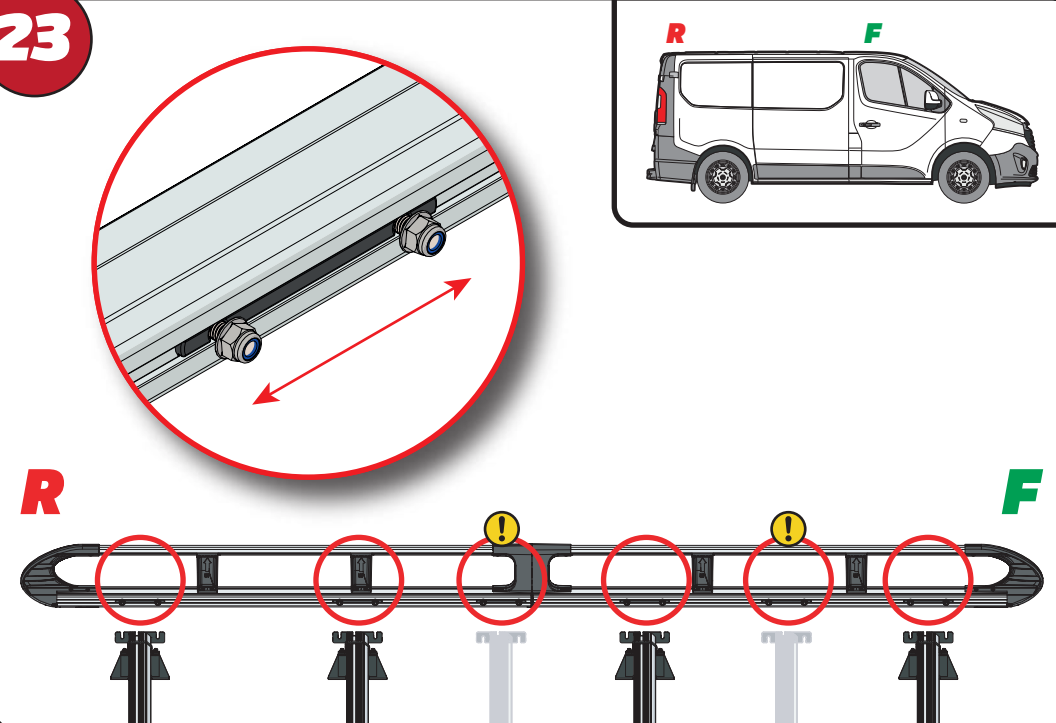
21



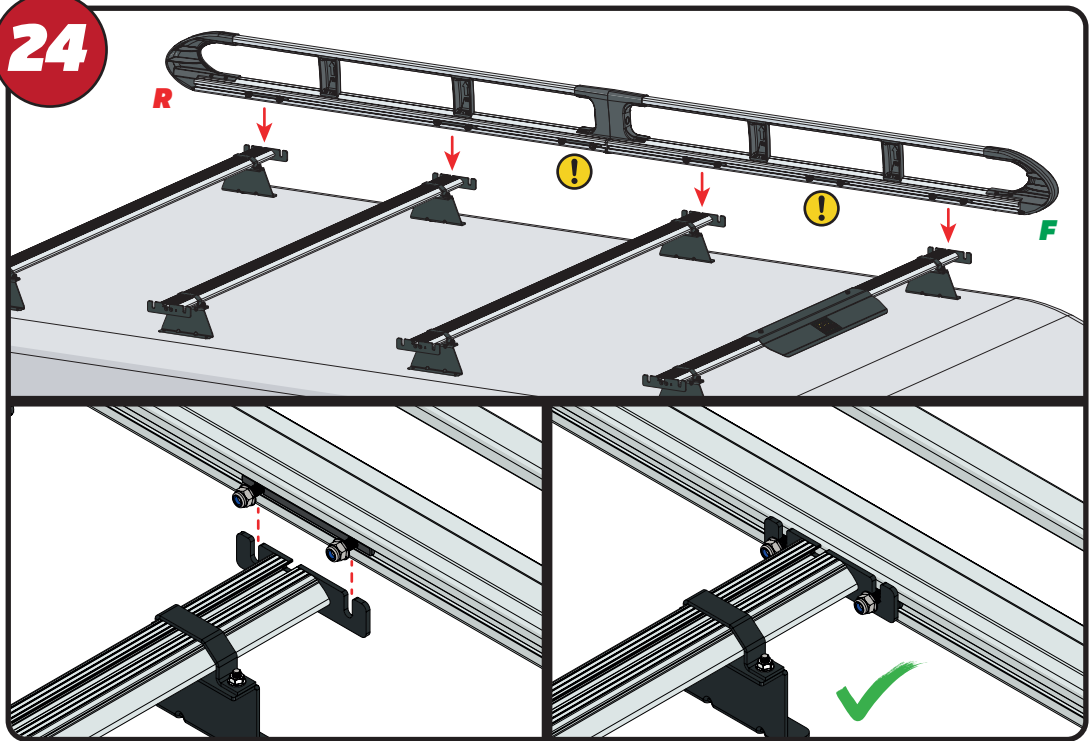
22



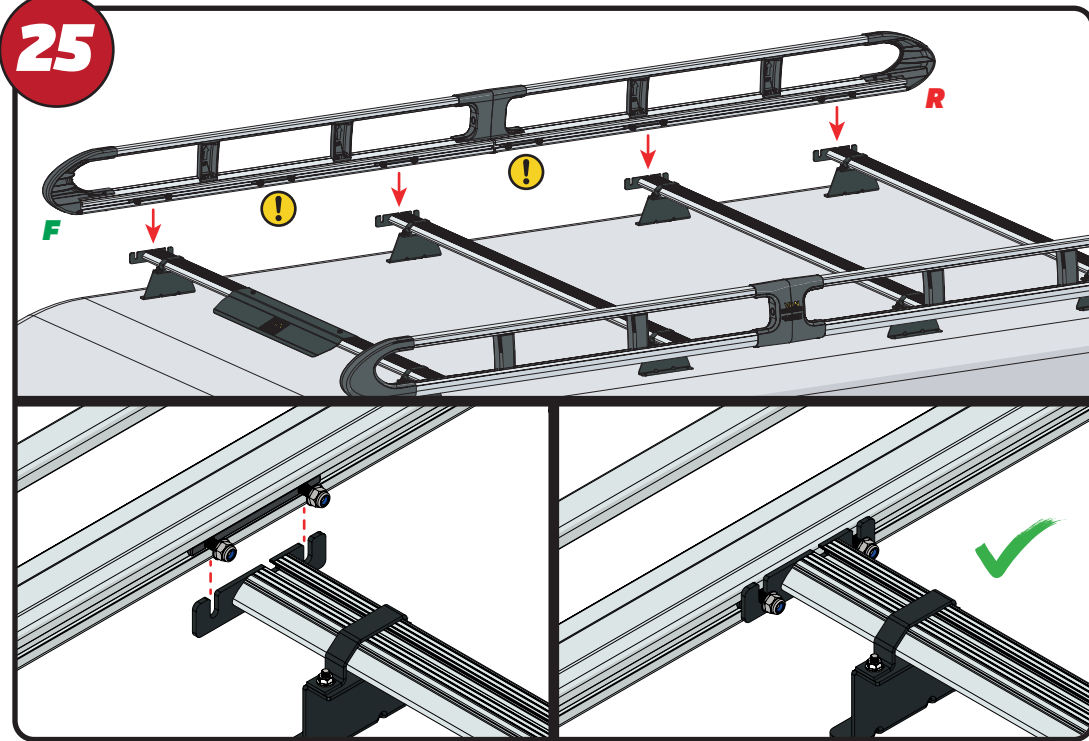
23



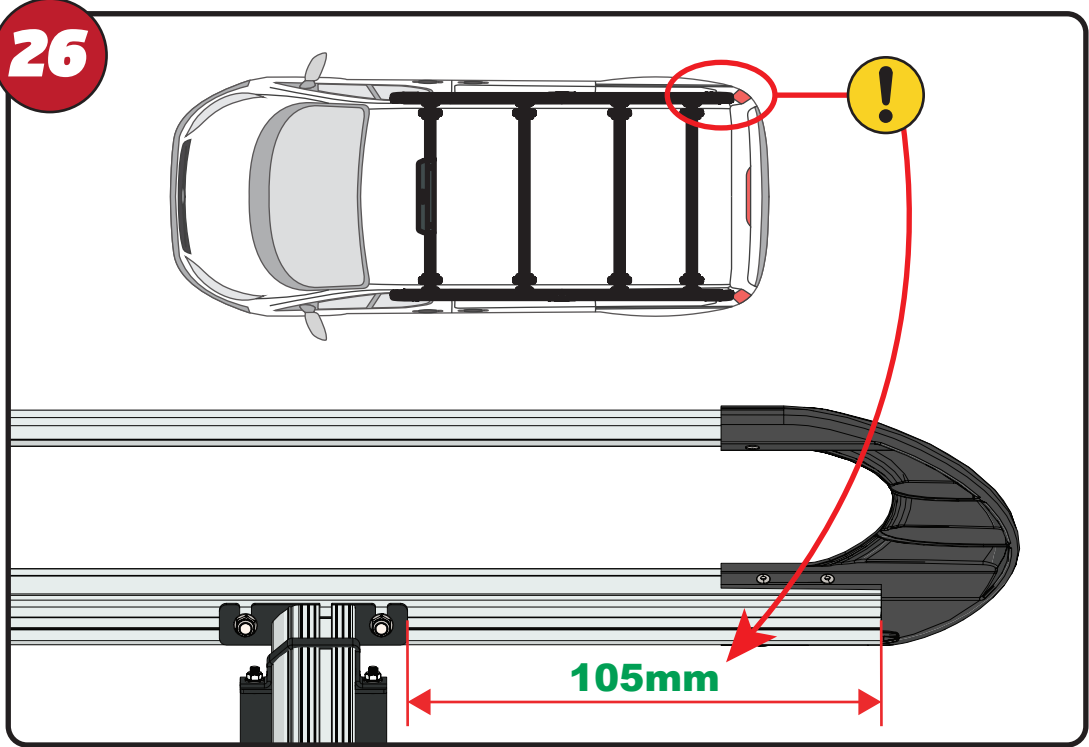
24



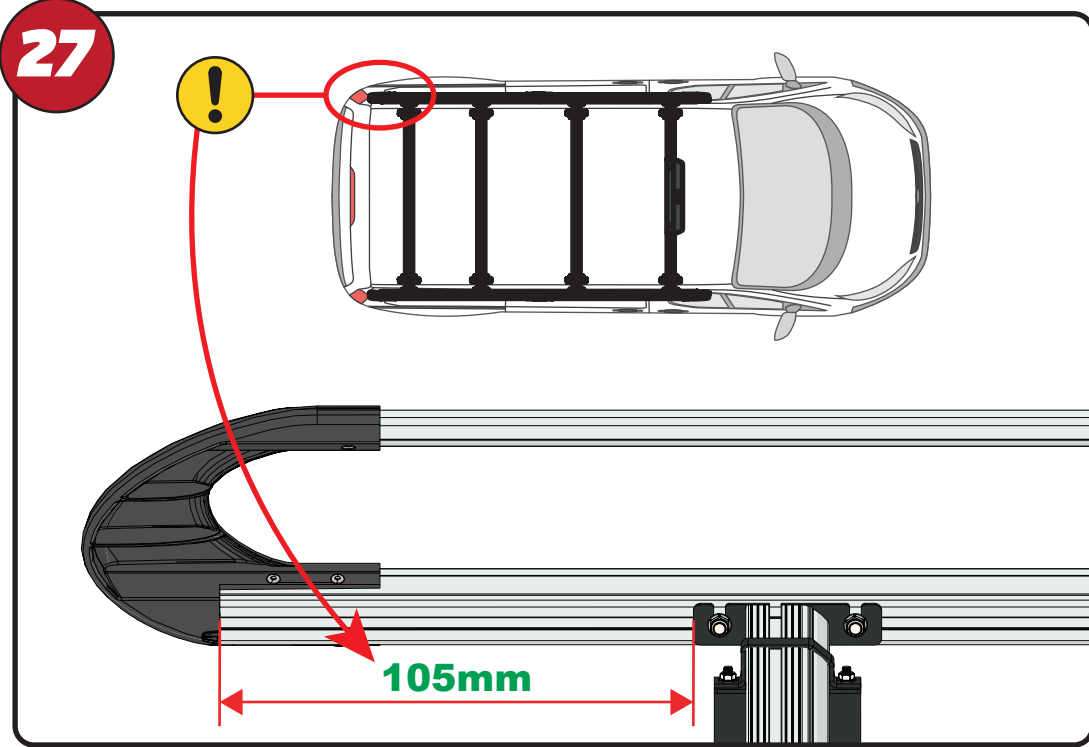
25

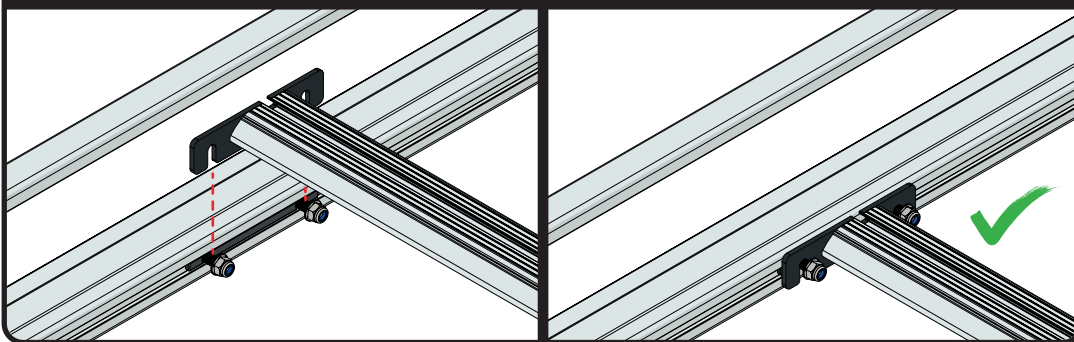
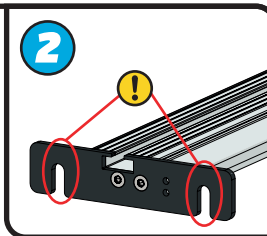
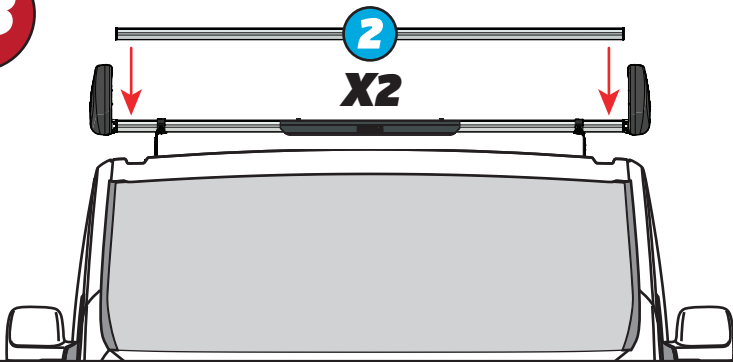


26

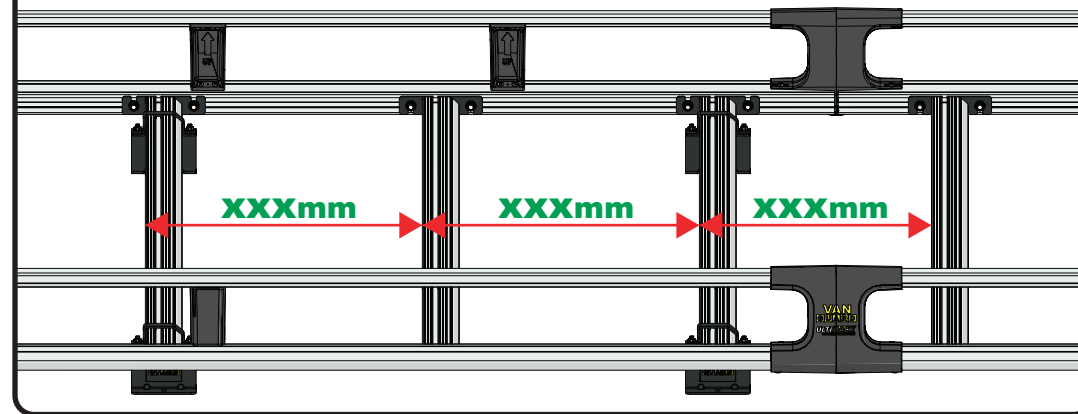
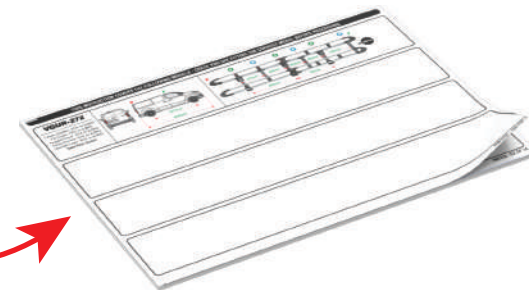
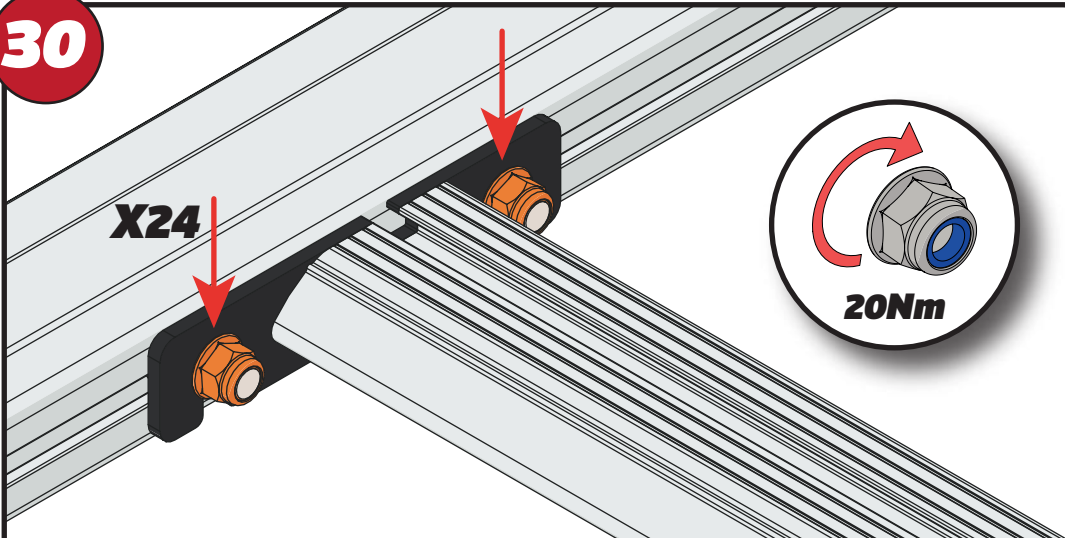


27



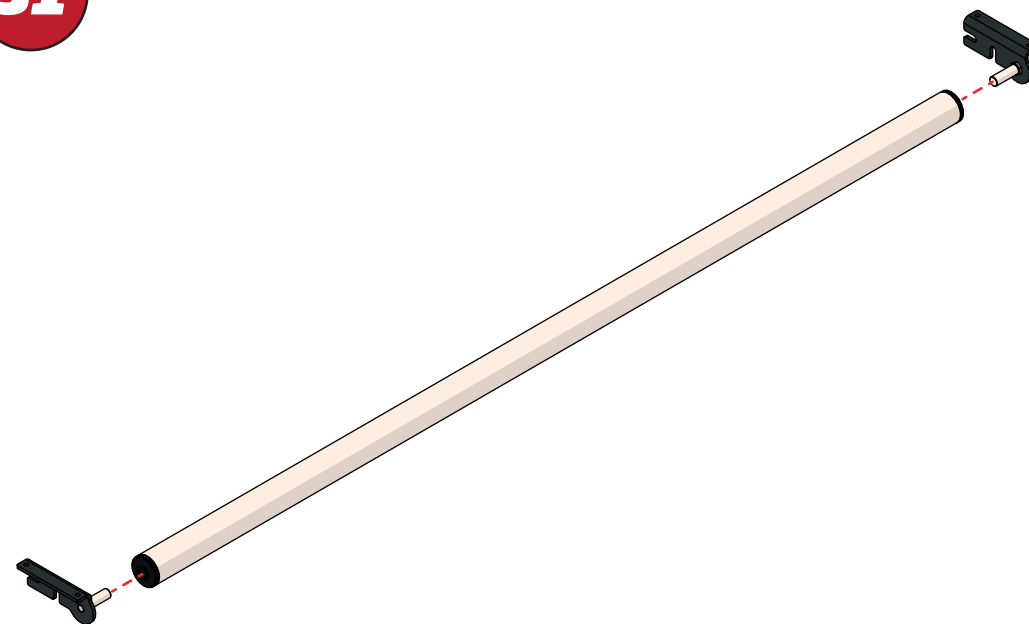
28**29**

XXX =
PAGE 2 OF 15

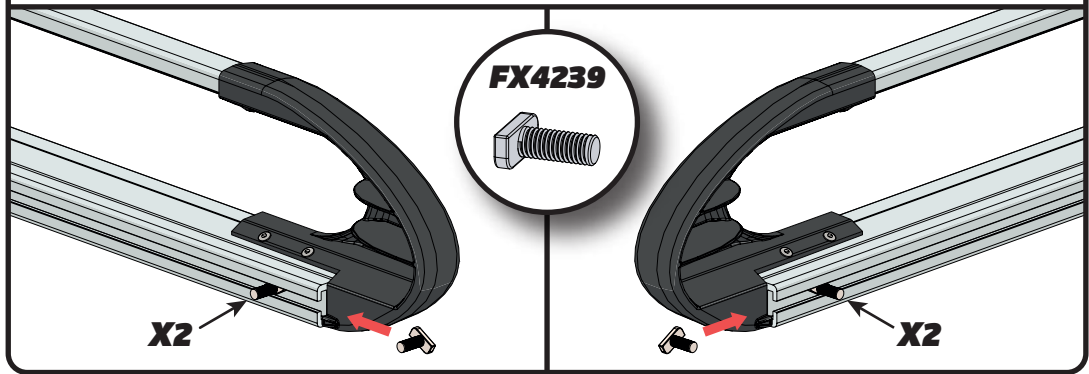
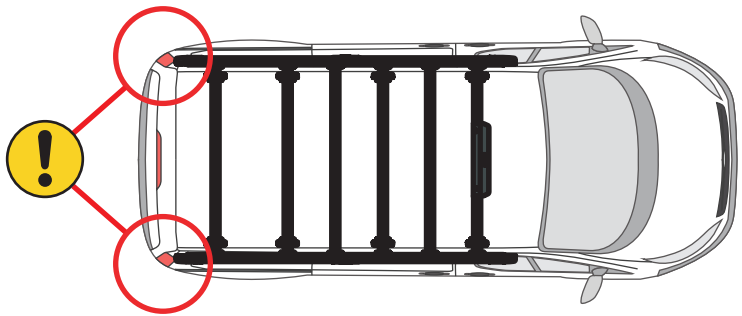
**30**

EN - TIGHTEN ALL OF THE CROSS BARS
 DE - ALLE QUERSTANGEN FESTZIEHEN
 FR - SERREZ TOUTES LES BARRES TRANSVERSALES
 NL - DRAAI ALLE DWARSBALK VAN HET DAK AAN
 ES - APRIETE TODAS LAS BARRAS TRANSVERSALES
 IT - STRINGERE TUTTE LE BARRE TRASVERSALI

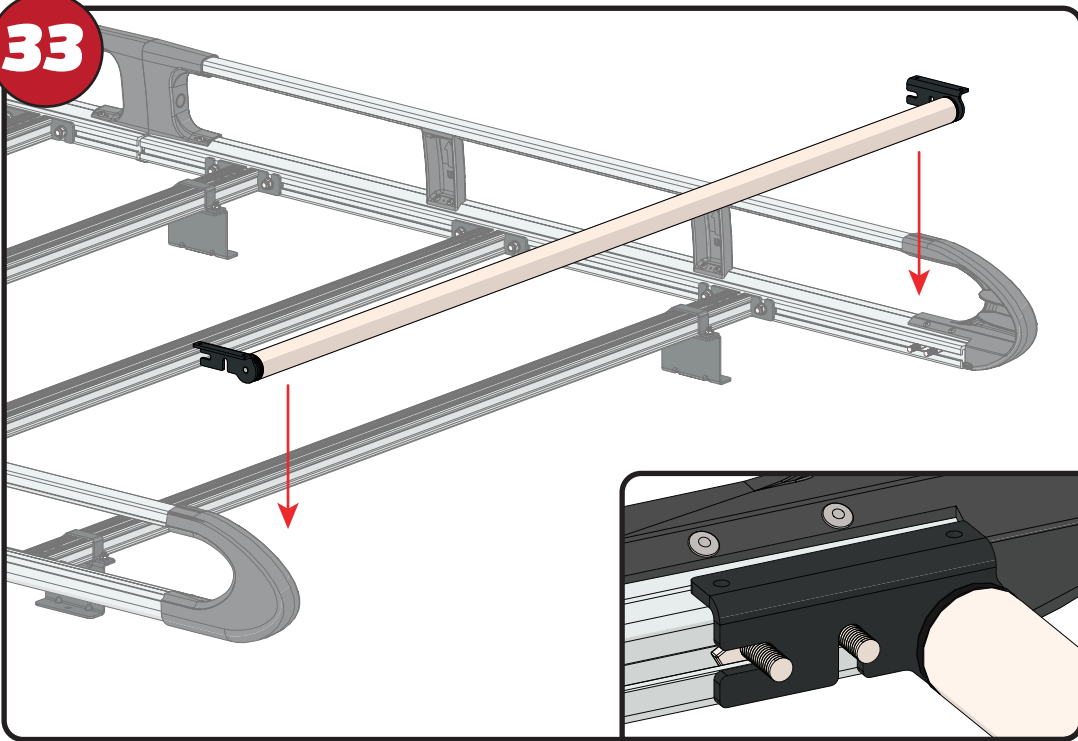
SV - SKRU UPP ALLA KORSSTANGAR
 DA - SKRU ALLE TAGBØJLER OP
 NO - SKRU OPP ALLE TVERRSTENGER
 PL - DOKRĘCIĆ WSZYSTKIE POPRZECZKI
 CS - VŠECHNY PŘÍČNÉ TYČE SEŠROUJTE

31

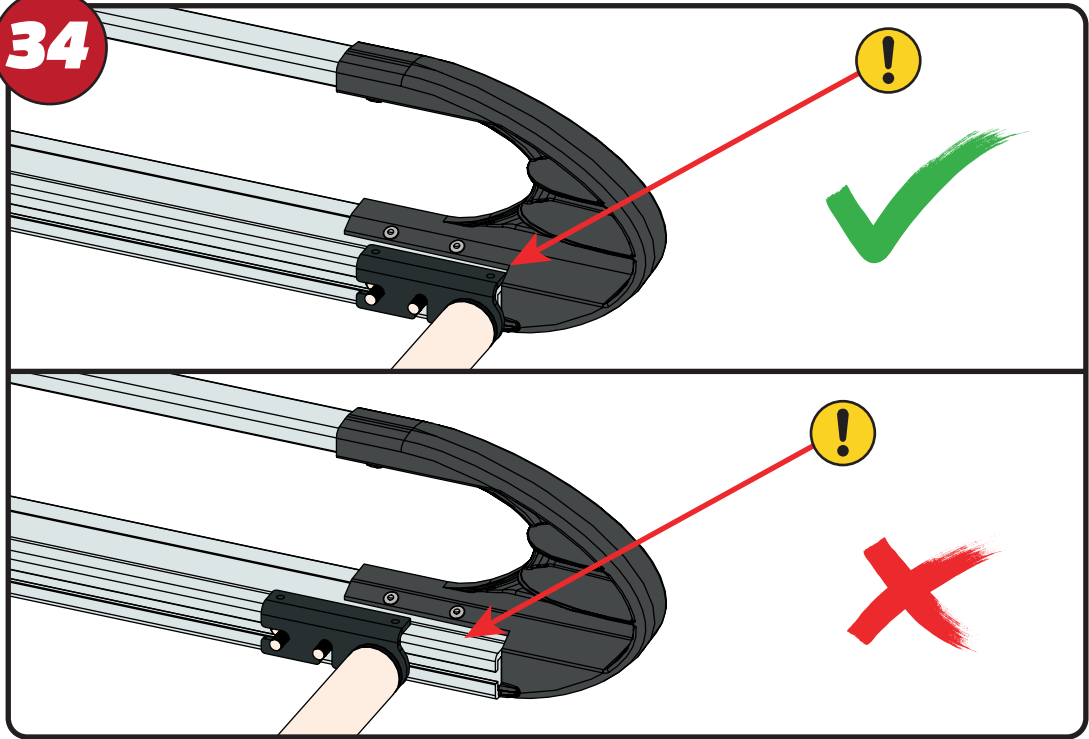
32



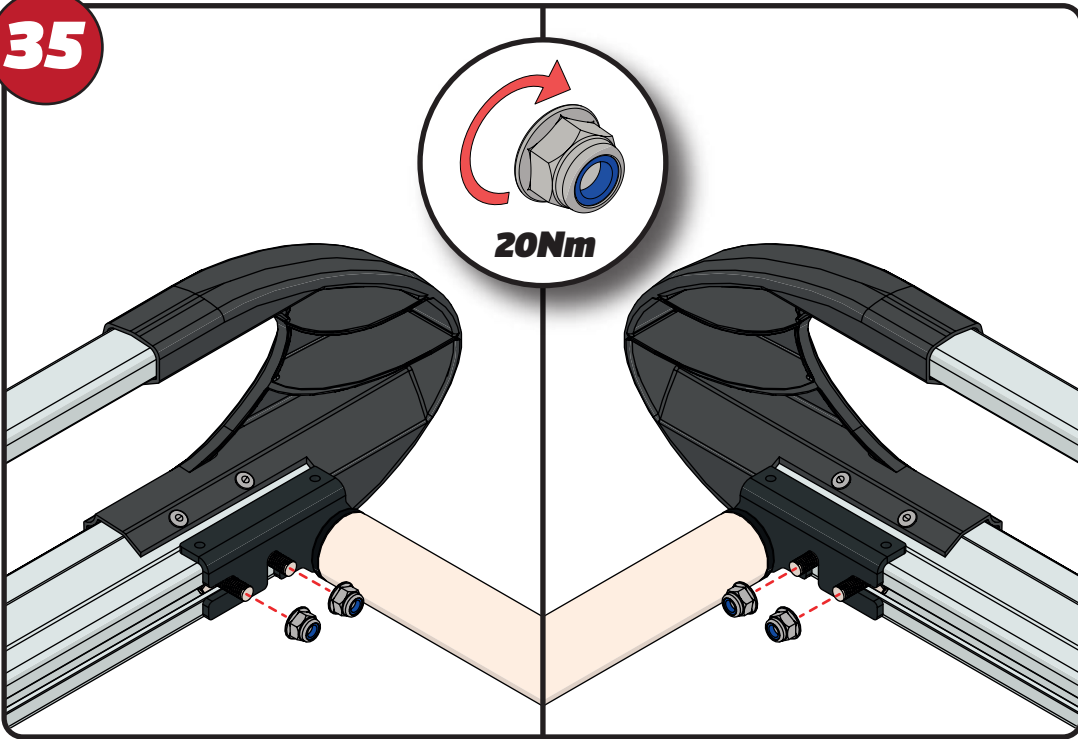
33



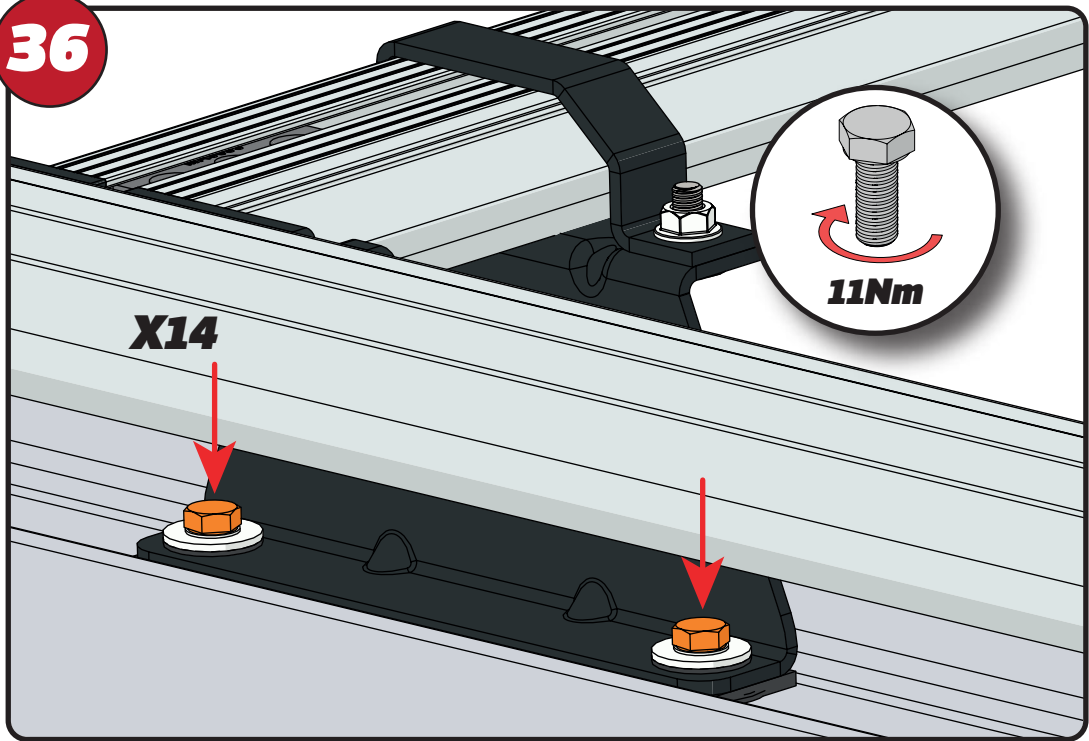
34



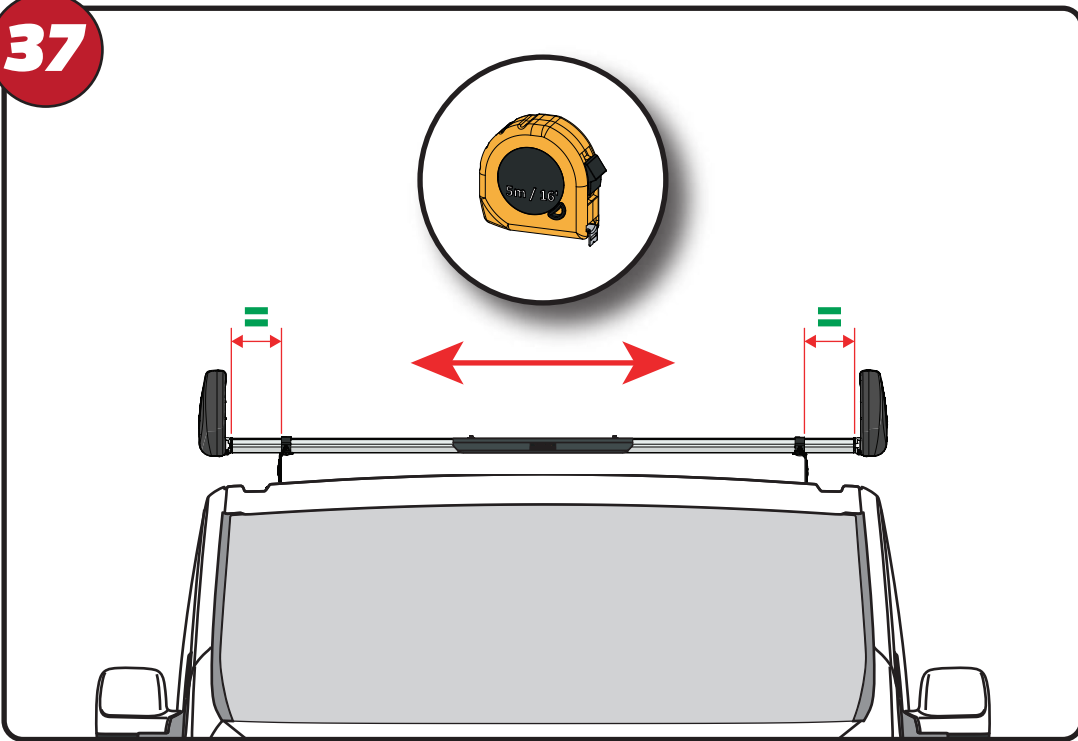
35



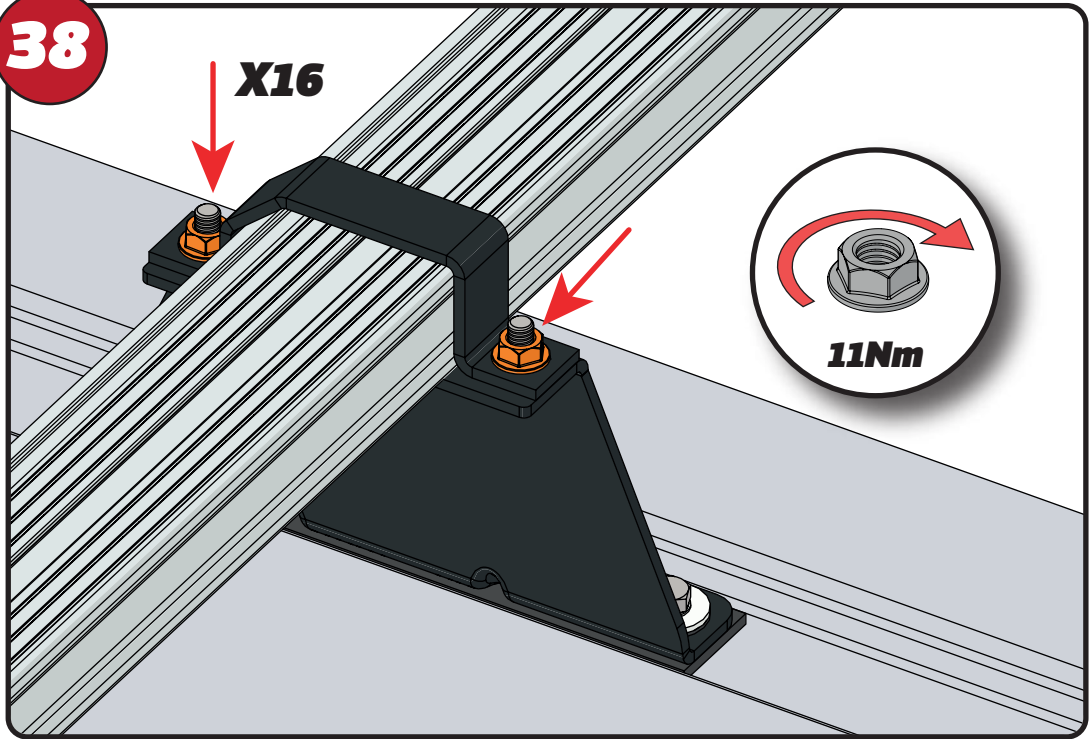
36



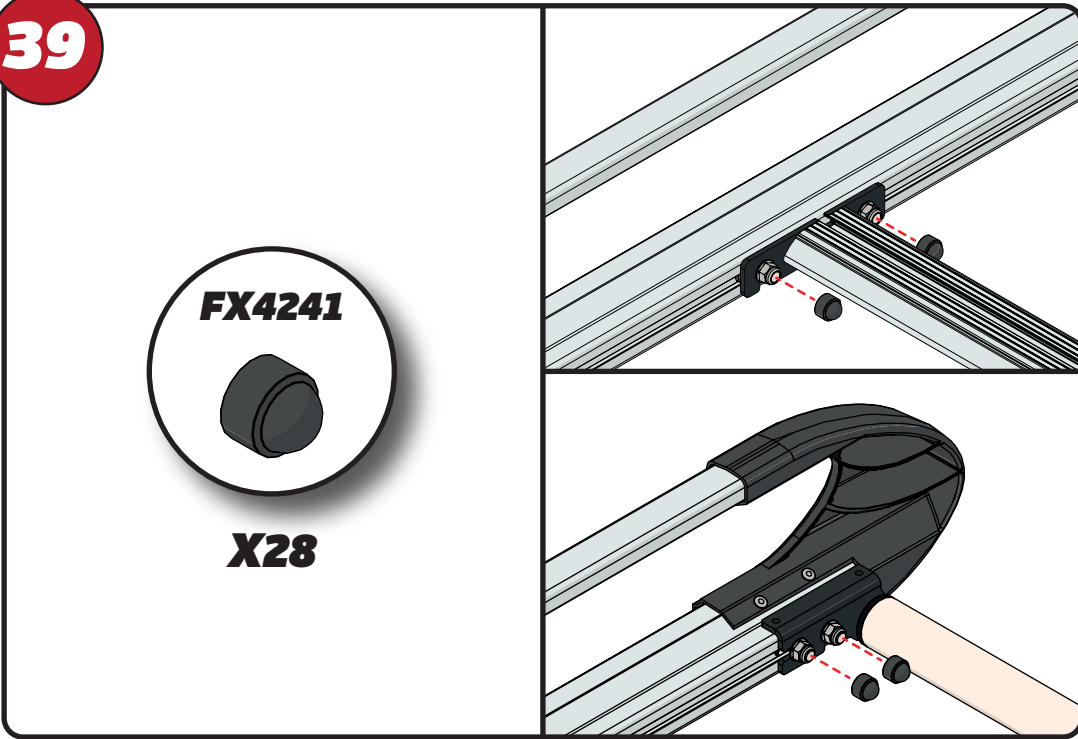
37



38

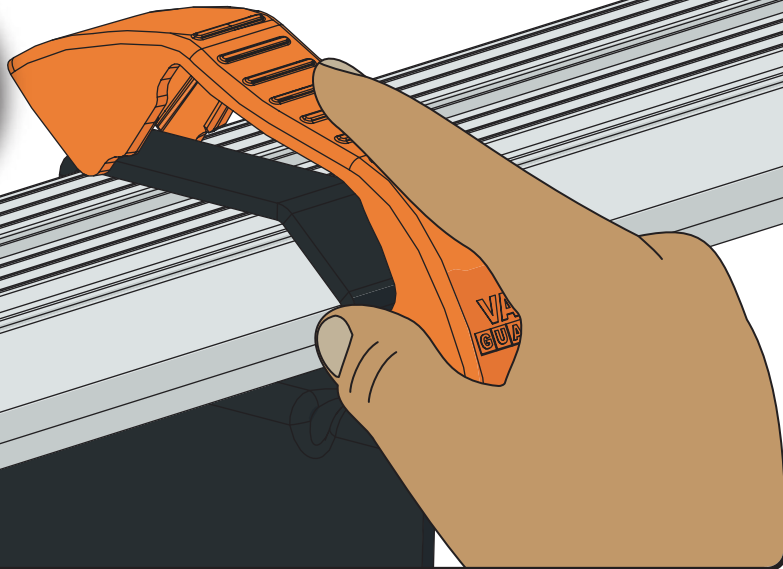


39



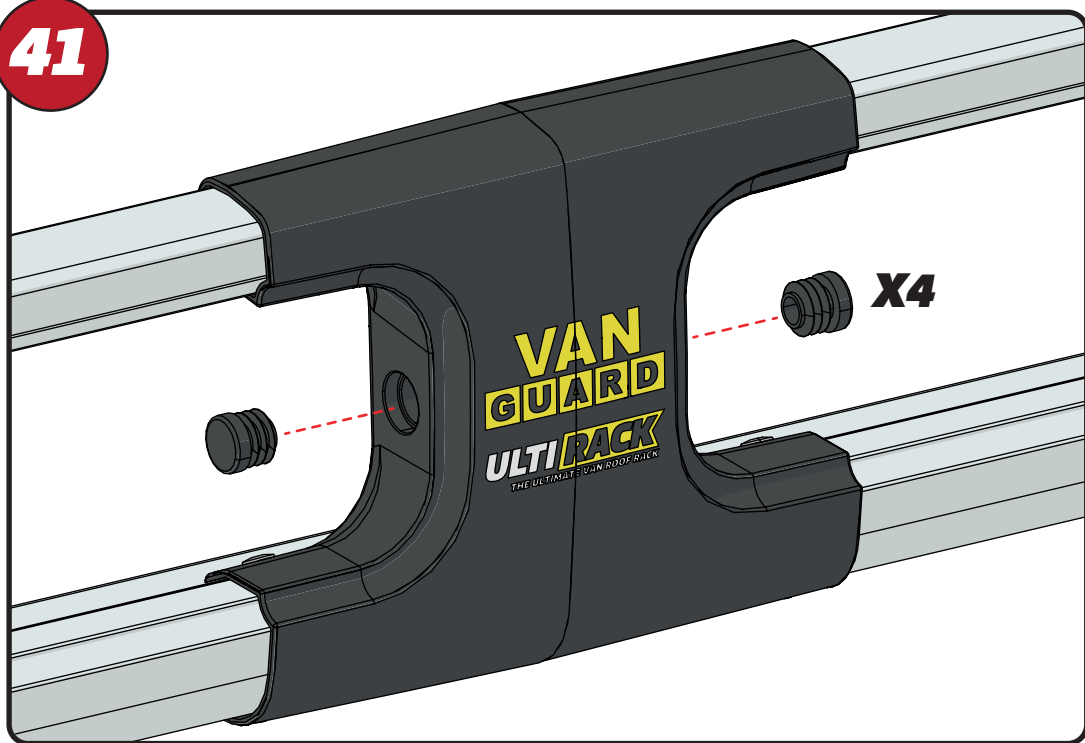
40

X8



41

X4



42

