

IN8377

Trade Van Racking - General Assembly and Installation



1



+

2

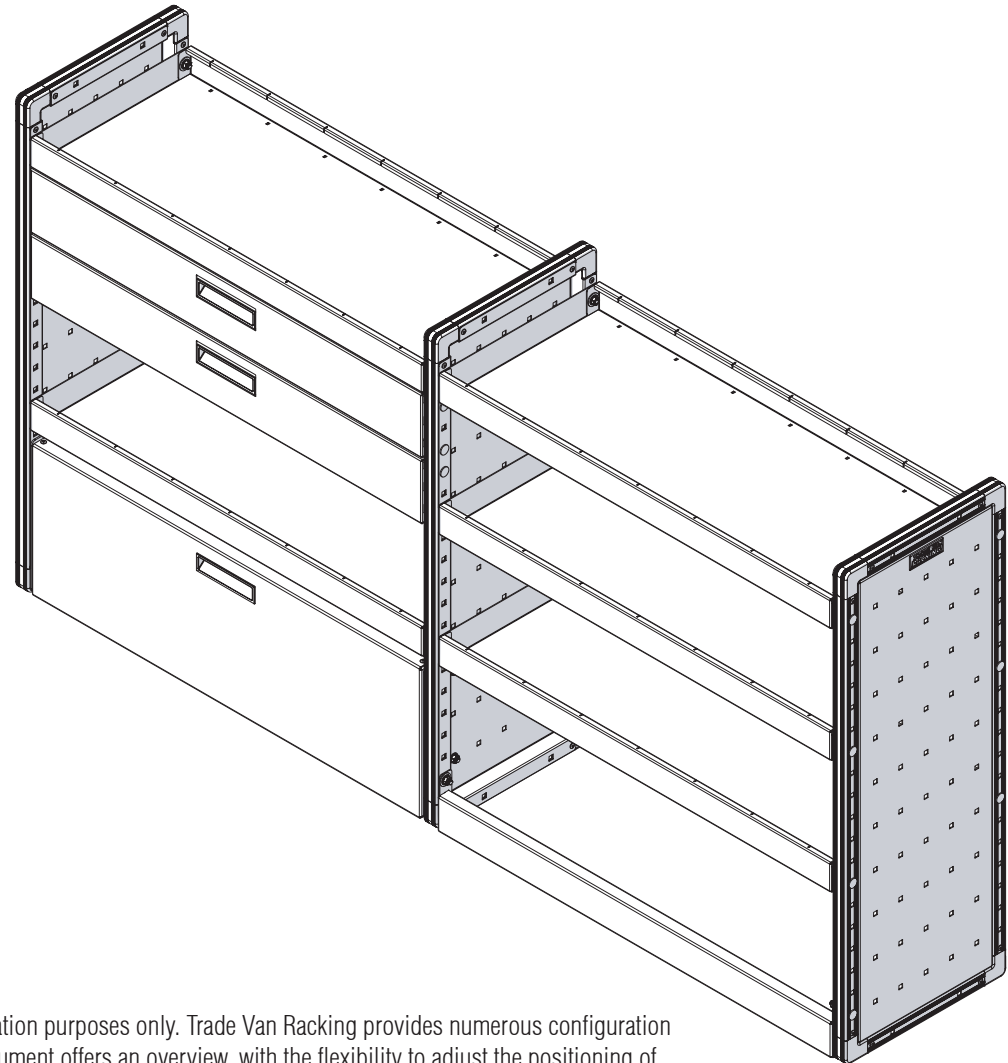


Attention:

For customers installing one of our vehicle-specific bronze, silver or gold packages, please firstly consult instruction document IN8378 which showcases the recommended racking layout and indicates the specific positioning of each unit size.

Once you have identified the layout, refer back to this manual for instructions on assembling your racking system.

Customers installing universal or bespoke units do not need to consult IN8378 and should proceed directly to this instruction for assembly and installation instructions.



*Image for illustration purposes only. Trade Van Racking provides numerous configuration options. This document offers an overview, with the flexibility to adjust the positioning of items according to your preferences.



Customercare@van-guard.co.uk
UK +44 (0) 1392 368 351

This FITTING INSTRUCTION is the property of VAN GUARD ACCESSORIES LTD. and must not be used for manufacturing purposes, copied nor communicated in any way to third parties without written permission from VAN GUARD ACCESSORIES LTD.
IN8377_A (CN:NR)

Van Guard Accessories Ltd
Fair Oak Close, Exeter Airport Business Park,
Exeter, Devon, EX5 2UL
www.van-guard.co.uk

NOTICE

Van Guard Accessories Ltd and/or its distributors does not accept liability for products which have not been fitted in accordance with the fitting instructions provided.

Please refer to the vehicle manufacturers handbook to establish the maximum payload capacity for your vehicle. Do not exceed this limit.

FITTING (A)

A.01. Please be aware that the responsibility for drilling holes into your vehicle to install fixings lies with the installer(s). It is crucial to exercise caution to avoid damaging components such as the fuel line, tyres, fuel tank, wiring loom, exhaust, batteries, bodywork, and brake lines.

A.02. You must exercise extra caution when installing racking in electric or hybrid vehicles. For these vehicles, it is highly recommended to engage an experienced installer to ensure secure attachment of the racking. Additionally, do not under any circumstances drill through the vehicle flooring if there are batteries or wires beneath.

A.03. When attaching the racking unit to the side of a vehicle, it is recommended that the fixing brackets are securely fastened to the inner steel skin of the vehicle. Relying solely on a plywood lining for fixing is insufficient.

A.04. Take care when affixing to the side of a vehicle to ensure there is ample space between the inner and outer layers to avoid puncturing the outer skin of the vehicle. When drilling, use as short a drill bit as possible to prevent damaging the vehicle.

A.05. This product must only be fitted to vehicles with a full bulkhead present.

A.06. Always use corrosion protection when drilling holes to prevent rust and maintain the vehicle's structural integrity.

A.07. This product must be fixed in place, even if it is not to be fitted inside a vehicle.

A.08. Wear the appropriate protective equipment (safety glasses & gloves) while fitting this product to ensure your safety during the installation process.

DRIVING (B)

B.01. Be aware that the addition of the racking system may affect the van's center of gravity, potentially impacting its handling characteristics. Drive cautiously and adapt to any changes in vehicle dynamics.

B.02. After first fitting of the van racking and whenever the van racking is refitted to the vehicle, racking, accessories and loads shall be checked the first time after a short period of driving, 50 km or 30 minutes maximum, for tight fit and function ability and tightened if necessary.

LOADING/SECURING (C)

C.01. Do not exceed the specified load limits of the racking system.

C.02. Do not exceed the vehicle's maximum payload capacity, remembering to factor in the weight of the racking system in your calculations.

C.03. Do not climb or stand on any part of the racking system.

C.04. Exercise caution when loading and unloading items from the racking system to prevent personal injury and damage to the product.

LOADING/SECURING (C)

C.05. Personal injury and damage to property can occur when cargo is not properly secured during various driving maneuvers such as braking, accelerating, taking turns, or making sudden swerves. Inadequate load securing may lead to cargo tipping or shifting, which can have serious consequences. To mitigate these risks, follow these guidelines:

- Ensure all objects in the load area are properly secured to prevent tipping and sliding.
- Prior to each journey, thoroughly inspect and confirm that the load is securely fastened.
- Incorporate dividers and rubber mats within shelves to prevent movement.

When it comes to load securing, it's crucial to adhere to relevant laws and road traffic regulations to promote safety and ensure compliance with the law.

MAINTENANCE (D)

D.01. Regularly check all fixings for tightness.

D.02. Regularly inspect all components for signs of wear or damage. Replace lost, damaged, or worn parts immediately.

D.03. Any changes made to the product as well as the use of spare parts or accessories other than those supplied by the manufacturer will lead to the lapsing of the manufacturer's warranty and liability for any material damage or accidents.

FINISHING (E)

E.01. The fitter, end user and anyone using the product must receive and read both this document and the supplied fitting instructions. Retain both the fitting instructions and this document for future use.

E.02. Ensure all packaging is disposed of responsibly.

E.03. Ensure product is disposed of responsibly at its end of life.

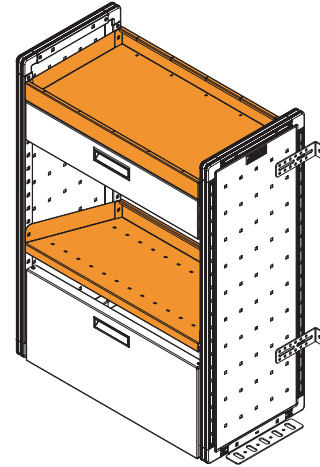
E.04. Always comply with applicable safety rules and regulations when fitting and using this product.

INTRODUCTION

Trade Van Racking provides numerous configuration options. This document offers an overview, with the flexibility to adjust the positioning of items according to your preferences.

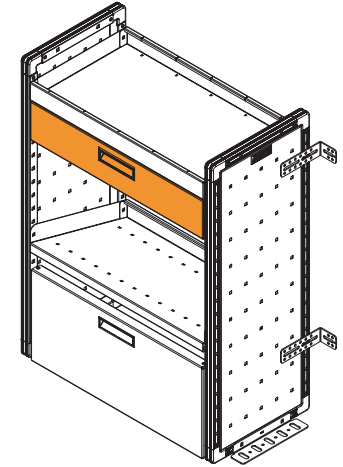
01. Thoroughly read this document, as well as the instructions for any drawers, drop-down doors, or kick plates, before proceeding with assembly.
02. Commence assembly outside of the vehicle starting with the shelves. If you are then fitting a drawer, drop-down door, or kick plate, consult the specific instructions included with those products.
03. Once you have assembled the racking unit, proceed to the sections on 'Vehicle Fixing - Floor' and 'Vehicle Fixing - Sides' for vehicle installation.

SHELVES



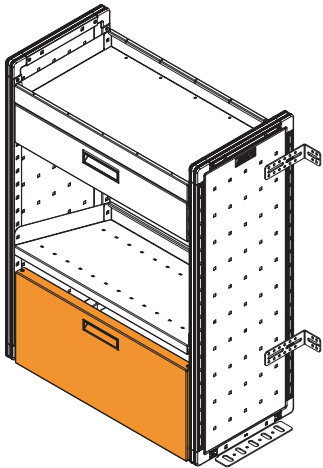
PAGES 04 > 06
(THIS DOCUMENT)

DRAWERS



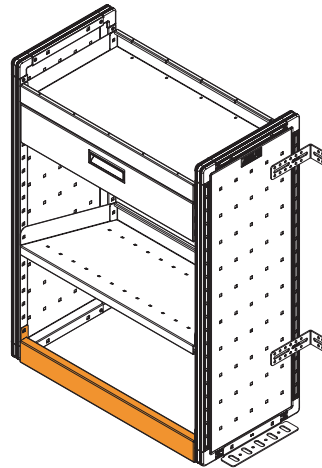
SEE INSTRUCTION IN8270
(SUPPLIED WITH PRODUCT)

DROP-DOWN DOORS



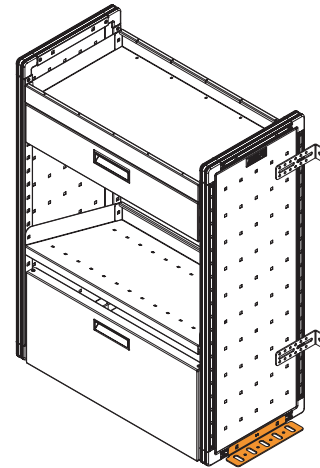
SEE INSTRUCTION IN8259
(SUPPLIED WITH PRODUCT)

KICK PLATES



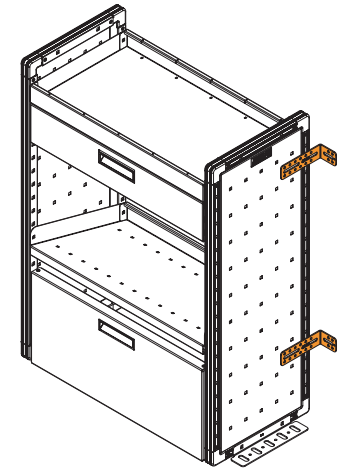
SEE INSTRUCTION IN8421
(SUPPLIED WITH PRODUCT)

VEHICLE FIXING - FLOOR



PAGES 07 > 09
(THIS DOCUMENT)

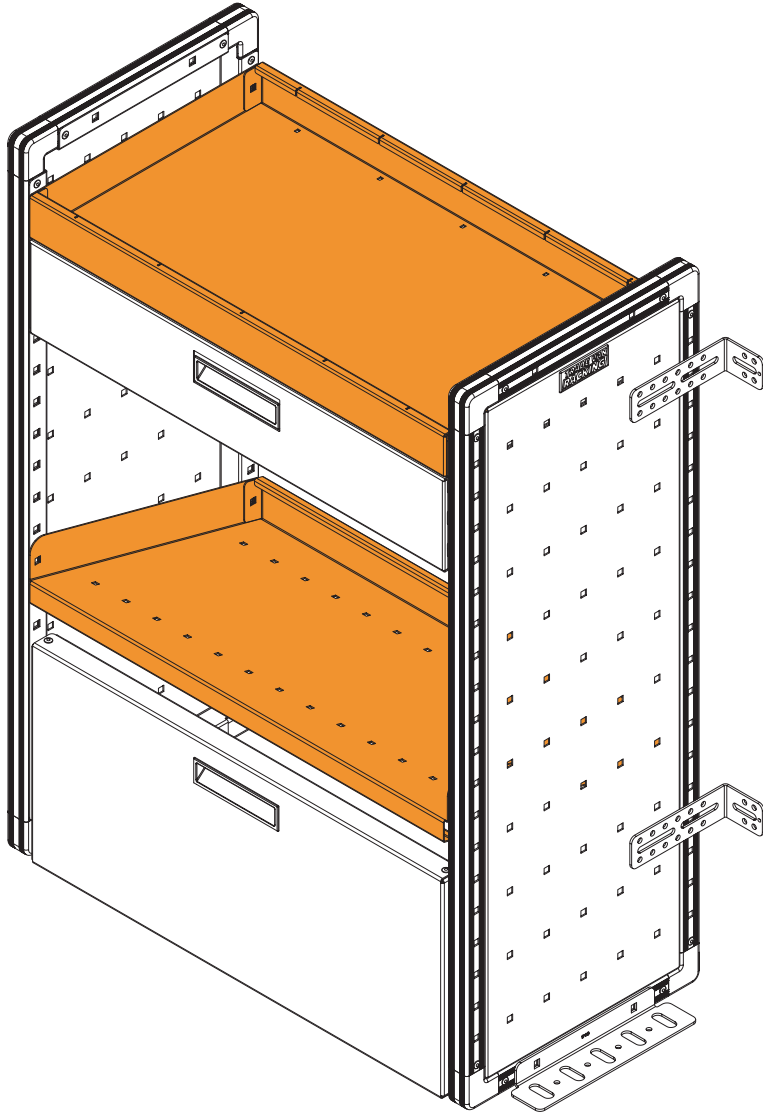
VEHICLE FIXING - SIDES



PAGES 10 > 12
(THIS DOCUMENT)

SHELF FIXING METHOD (1 OF 3)

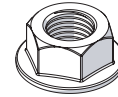
 The following pages detail how to secure the shelves of your racking system.



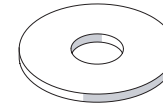
SUPPLIED COMPONENTS

Open the KT5447 shelf fixing kit – it will be packed in the same box as the shelf (one kit per shelf). This kit provides the fixings required to assemble the shelves to the side panels. Quantities shown below are to suit one shelf.

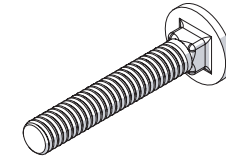
FX4011 X4
(M8 FLANGE NUT)



FX4040 X4
(M8 WASHER)

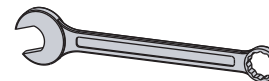


FX4138 X4
(M8X50 COACH BOLT)



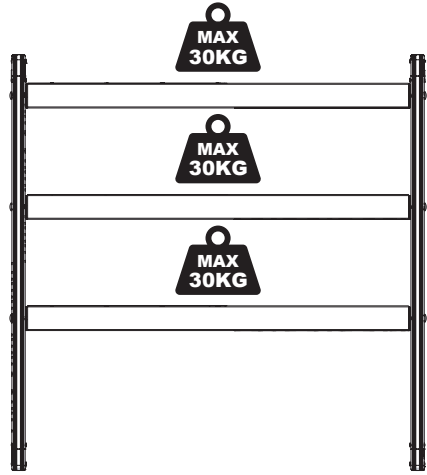
TOOLS REQUIRED

13MM X1

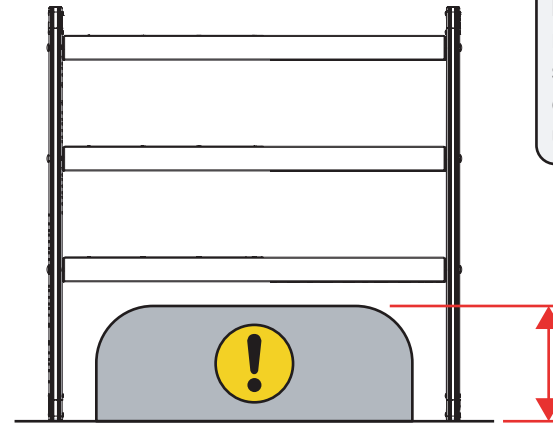


SHELF FIXING METHOD (2 OF 3)

- 01** Maximum weight load per shelf is 30kg. Do not exceed this limit.
This limit is the same for both straight and angled shelves.

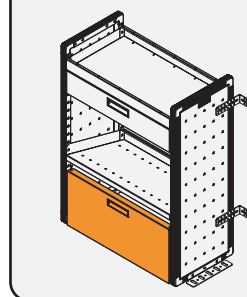
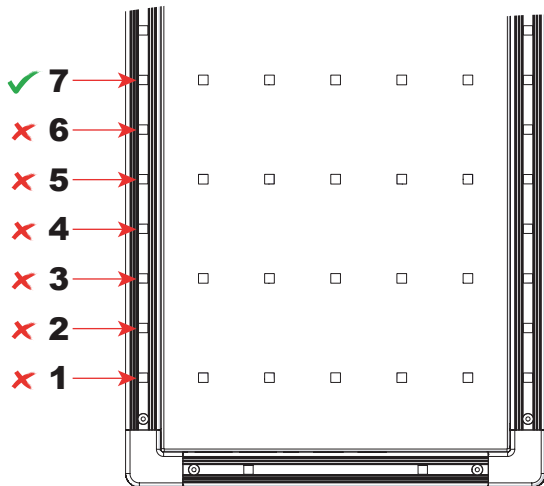


- 02** When assembling a unit to go over a vehicle's wheel arch, ensure you leave enough space for the bottom of the shelf to clear the wheel arch. In some instances, it may be beneficial to remove wheel arch covers.

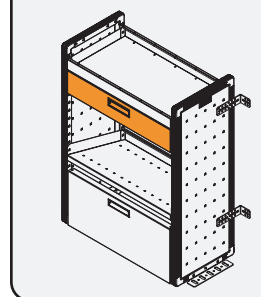
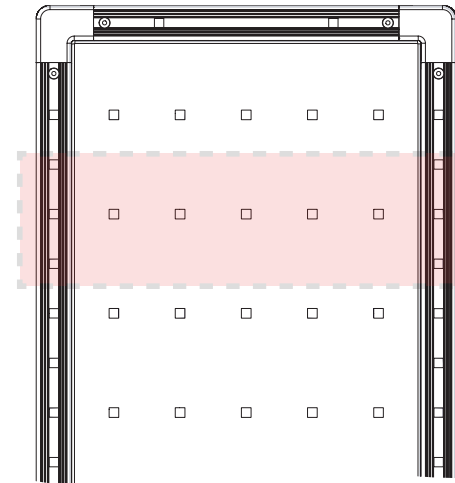


TIP! Each side panel shelf fixing hole is spaced 45mm apart. As a reference, if you attach a straight shelf to the 7th fixing hole up, the distance from the floor to the shelf's underside will be 339mm.

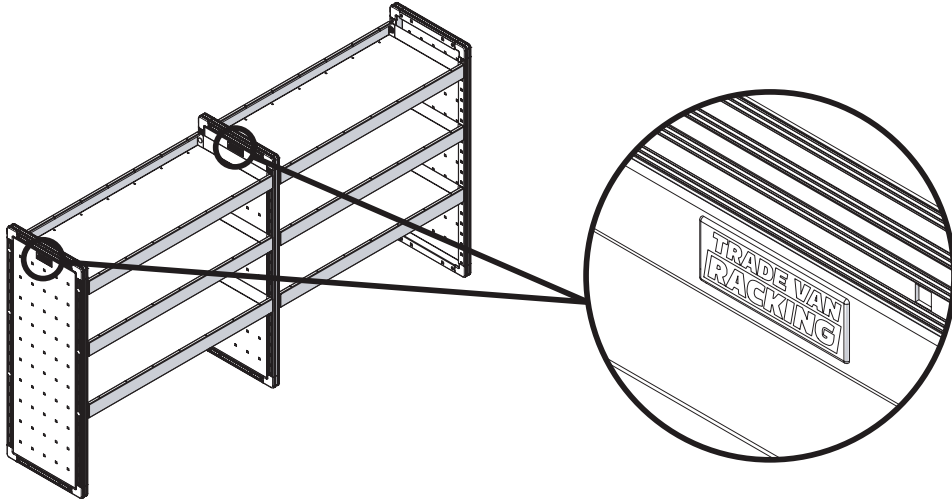
- 03** If you are also installing a drop-down door, do not position a shelf below the 7th fixing hole. You can install the drop-down door once the shelves are fully assembled.



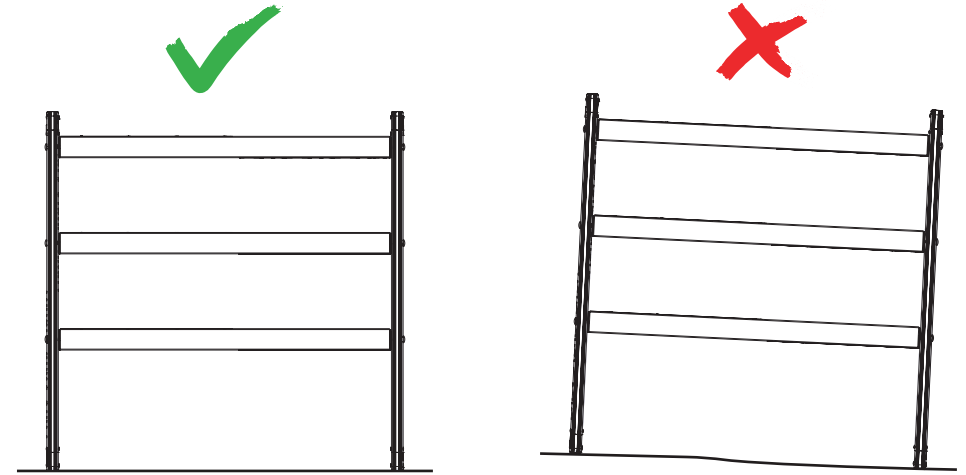
- 04** If you are also installing a drawer, ensure that you plan to leave enough space. Drawers can be positioned anywhere on the unit and one drawer requires the space of three side fixing holes as illustrated. You can install the drawer once the shelves are fully assembled.



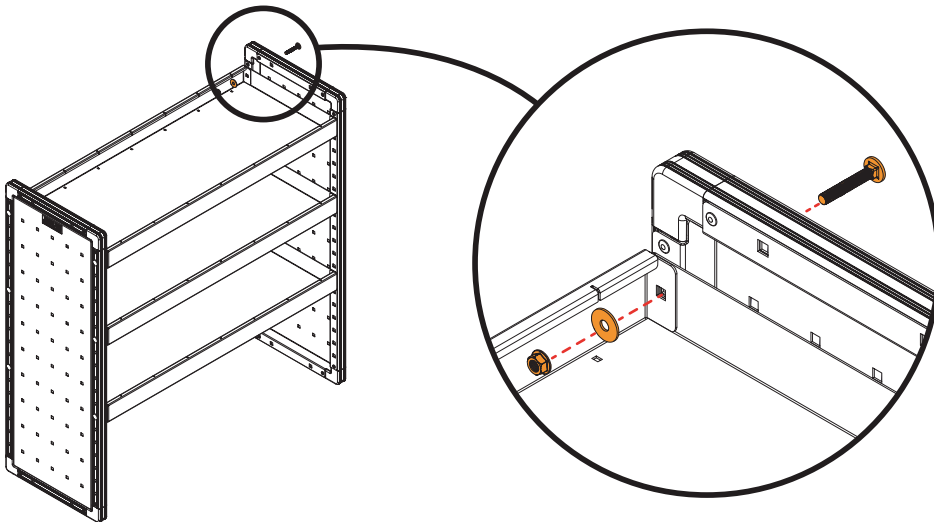
- 05** When assembling a unit with multiple bays, the middle side panel(s) act as a divider for two adjacent shelves. For multiple bay units, ensure the middle side panel(s) label faces as depicted in the illustration.




- 06** Ensure assembly is carried out on a flat surface.

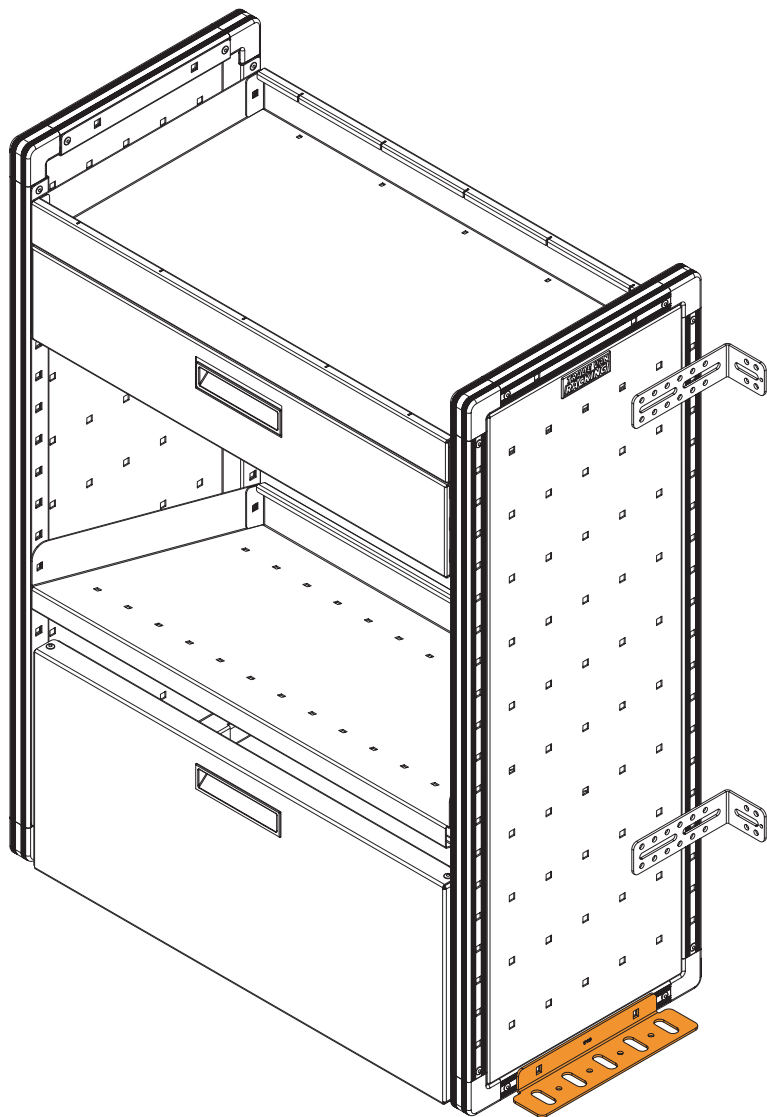


- 07** Adjust the position of your shelves to suit your requirements and then secure the shelves to the side panels using M8x50 coach bolts, M8 washers, and M8 flange nuts. Tighten all fixings to 5Nm. Take care not to damage the unit by over tightening.



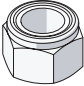

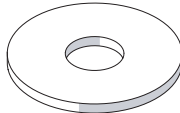
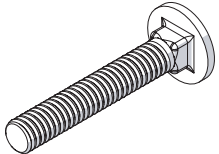
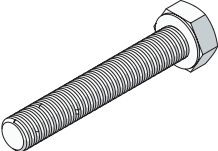
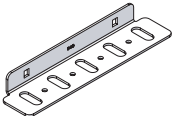
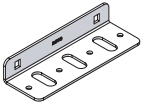
RECOMMENDED VEHICLE FLOOR FIXING METHOD (1 OF 3)

 Trade Van Racking can be attached to a vehicle using various methods, including rivets, nuts and bolts, self-tapping screws, and riv-nuts. The following steps outline our recommended and crash-test approved method for securing the racking unit to the floor of a vehicle.



SUPPLIED COMPONENTS

This section will require the following parts. All side panels must be secured to the floor. Quantities shown below are to suit one side panel.

<p>FX4002 X3 (M8 NYLOC NUT)</p> 	<p>FX4011 X2 (M8 FLANGE NUT)</p> 	<p>FX4040 X8 (M8 WASHER)</p> 	<p>FX4048 X2 (M8X50 COACH BOLT)</p> 
<p>FX4140 X3 (M8X50 HEX BOLT)</p> 	<p>ME0918 X1 (SUITS STRAIGHT PANELS)</p> 	<p>ME2058 X1 (SUITS TAPERED PANELS)</p> 	<p>?</p>

TOOLS REQUIRED

<p>13MM X2</p> 	<p>DRILL (Ø8.5mm) X1</p> 	<p>TAPE MEASURE X1</p> 
---	---	---

01 Prior to proceeding past this point please take the time to read through the important note below.



CAUTION



It is important that care is taken when drilling and fixing to your vehicle.

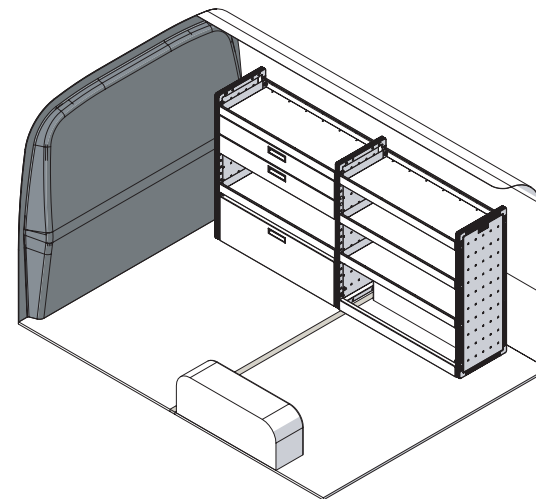
You should note that it is the responsibility of the installer/s to ensure that when drilling holes into your vehicle to take fixings, care must be taken to ensure that the fuel line, tyres, fuel tank, wiring loom, exhaust, batteries, bodywork, and brake lines etc. are not damaged.

We advise customers to be extra cautious when fitting racking to electric or hybrid vehicles. For these vehicles, we strongly recommend employing an experienced installer to ensure the racking is properly affixed. Additionally, it is essential that you do not drill through the vehicle flooring if there are batteries or wires present underneath.

If in doubt refer to the vehicle manufacturer's dealership.

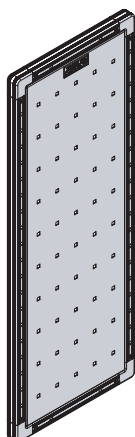
02 Position the unit inside the vehicle in desired position.

Before proceeding, ensure that the rear doors can open and close without any interference from the racking unit.

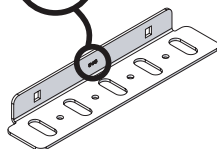


03 If you are fixing a straight side panel, use floor bracket ME0918. If you are fixing a tapered side panel, use floor bracket ME2058.

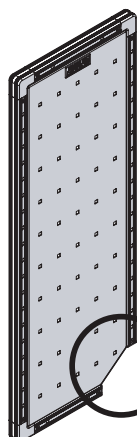
STRAIGHT



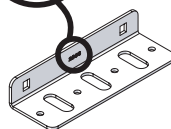
918



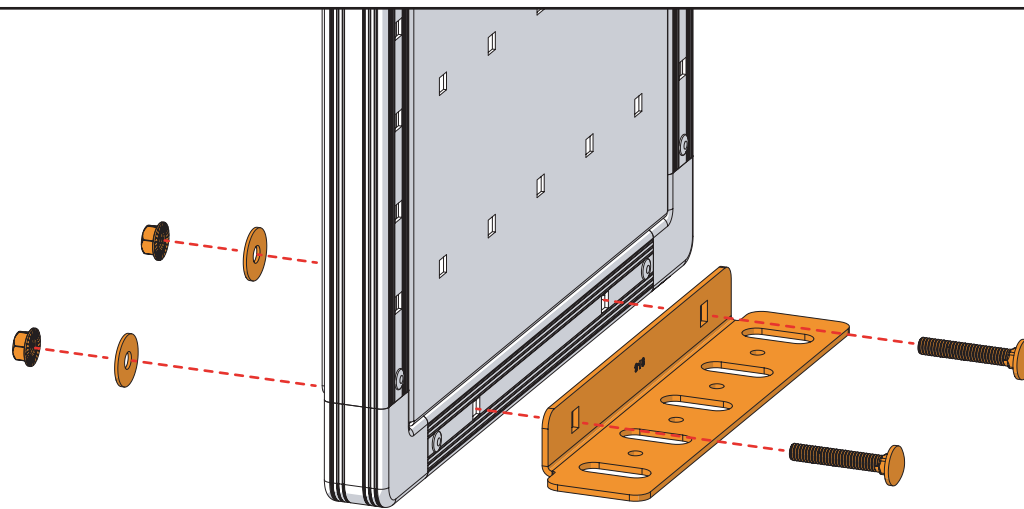
TAPERED



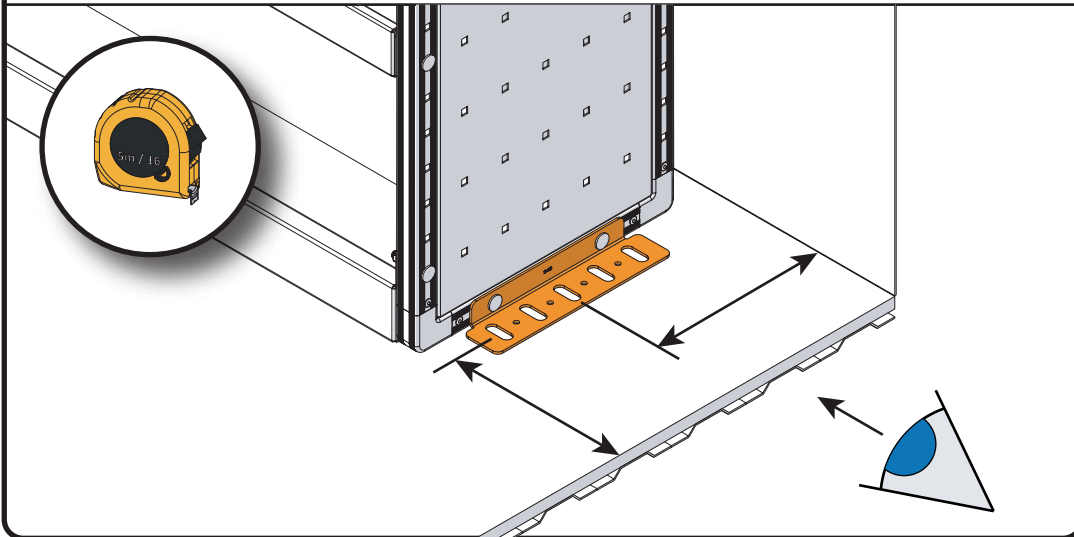
2058



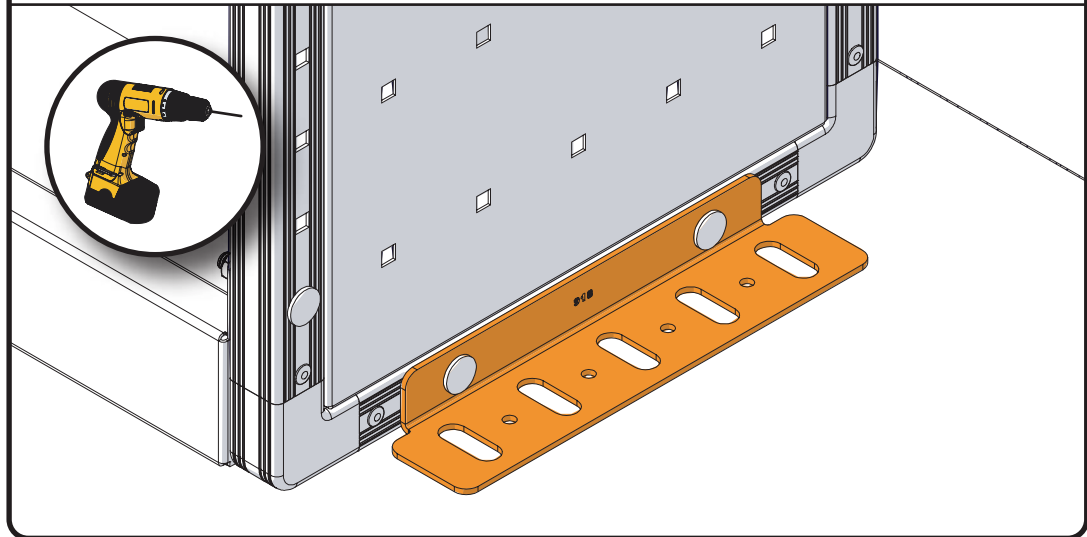
04 Secure the floor brackets to the side panels using M8x50 coach bolts, M8 washers and M8 flange nuts. Tighten all fixings to 5Nm. Take care not to damage the unit by over tightening.



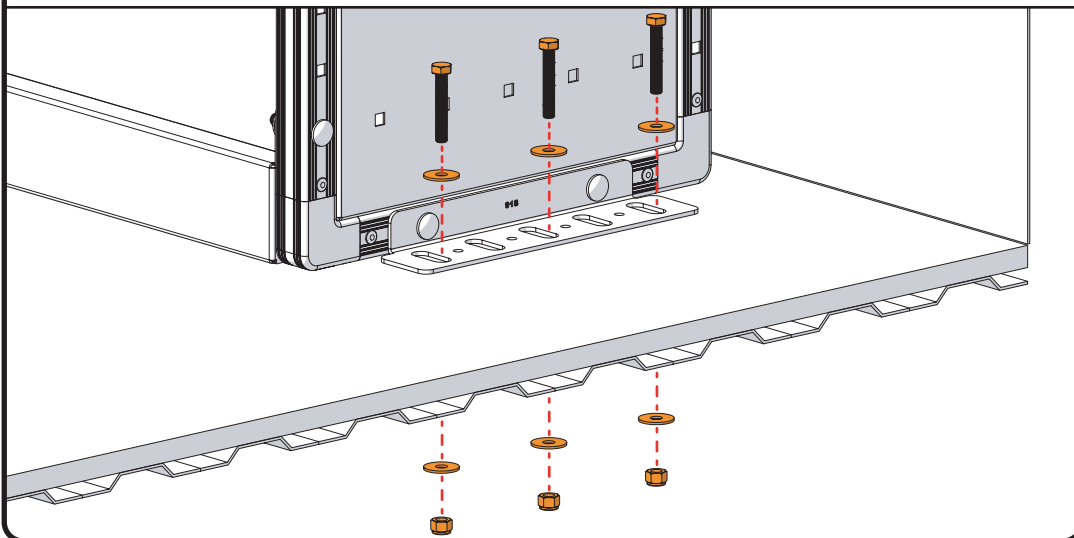
05 Measure from the side and rear of the vehicle and note down the positions of the floor brackets. Use the same measurements underneath the vehicle to check that the underside is clear of any obstructions so drilling can take place.




06 After ensuring the area under the floor bracket / vehicle floor is free from obstruction, mark the hole centres of the fixing slots you have chosen to use. Move the unit to one side and drill $\text{\O}8.5\text{mm}$ through the floor of the vehicle (three positions for each bracket).

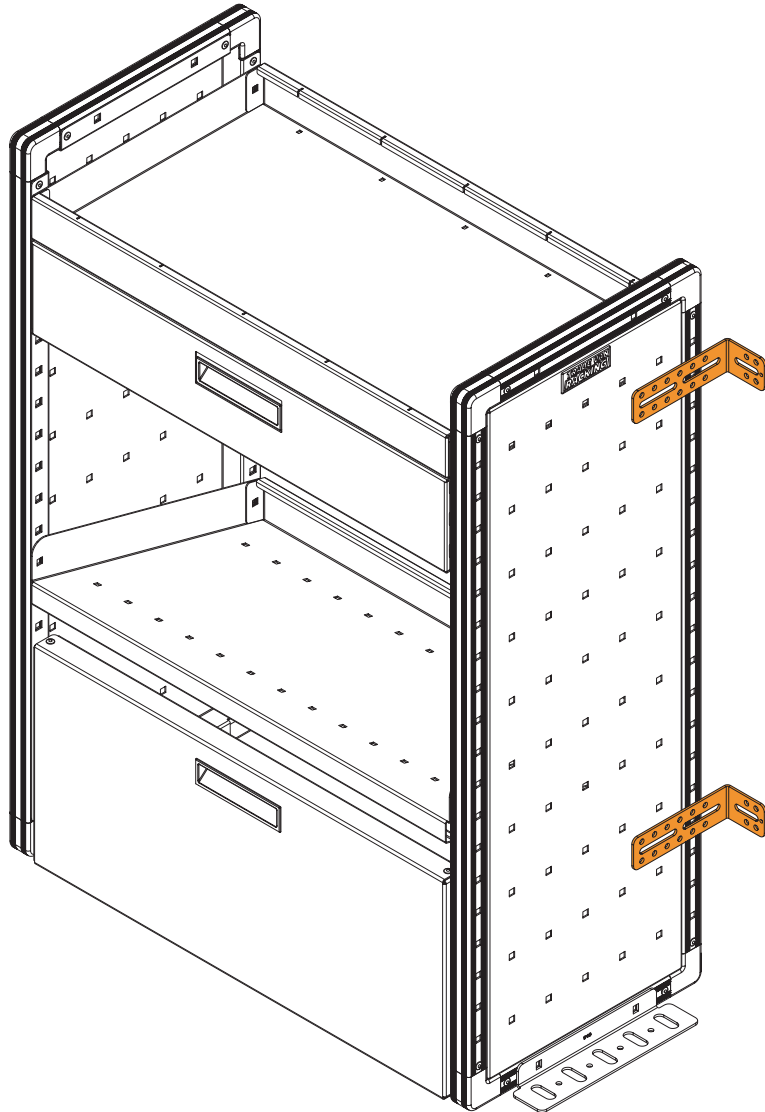


07 Bolt down through the floor brackets using M8x50 hex bolts and M8 washers, secure under the vehicle using M8 washers and M8 nyloc nuts. Repeat process for each side panel.



RECOMMENDED SIDE FIXING METHOD (1 OF 3)

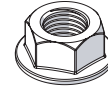
 Trade Van Racking can be attached to a vehicle using various methods, including rivets, nuts and bolts, self-tapping screws, and riv-nuts. The following steps outline our recommended and crash-test approved method for securing the racking unit to the side of a vehicle.



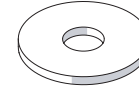
SUPPLIED COMPONENTS

This section will require the following parts. All side panels must be secured to the side of a vehicle. Quantities shown below are to suit one side panel.

FX4011 X4
(M8 FLANGE NUT)



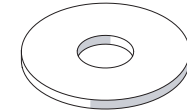
FX4013 X4
(M6 WASHER)



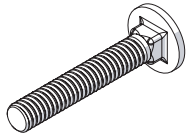
FX4016 X4
(M6 FLANGE NUT)



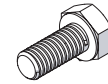
FX4040 X8
(M8 WASHER)



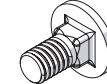
FX4048 X2
(M8X50 COACH BOLT)



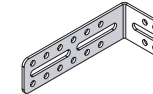
FX4061 X4
(M6X14 HEX BOLT)



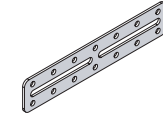
FX4141 X2
(M8X16 COACH BOLT)



ME0919 X2
(SIDE BRACKET)



ME0920 X2
(SIDE BRACKET EXTENSION)

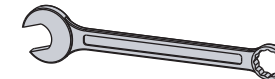


TOOLS REQUIRED

10MM X2



13MM X2



DRILL X1



01 Prior to proceeding past this point please take the time to read through the important note below.

CAUTION

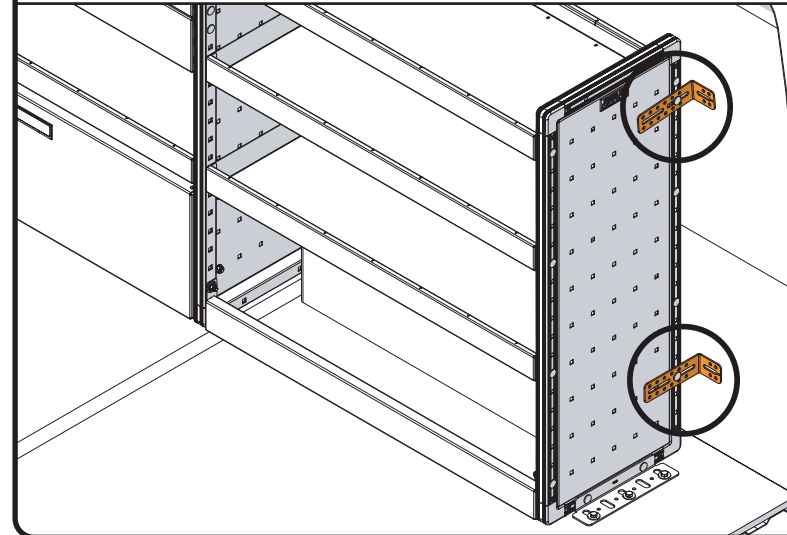
It is important that care is taken when drilling and fixing to your vehicle.

You should note that it is the responsibility of the installer/s to ensure that when drilling holes into your vehicle to take fixings, care must be taken to ensure that the fuel line, tyres, fuel tank, wiring loom, exhaust, batteries, bodywork, and brake lines etc. are not damaged.

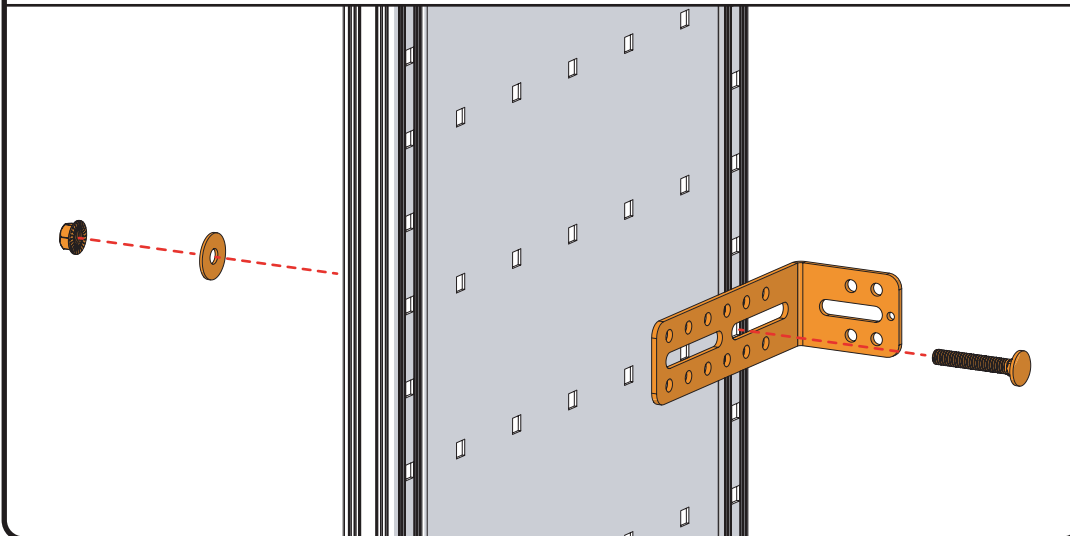
We advise customers to be extra cautious when fitting racking to electric or hybrid vehicles. For these vehicles, we strongly recommend employing an experienced installer to ensure the racking is properly affixed. Additionally, it is essential that you do not drill through the vehicle flooring if there are batteries or wires present underneath.

If in doubt refer to the vehicle manufacturer's dealership.

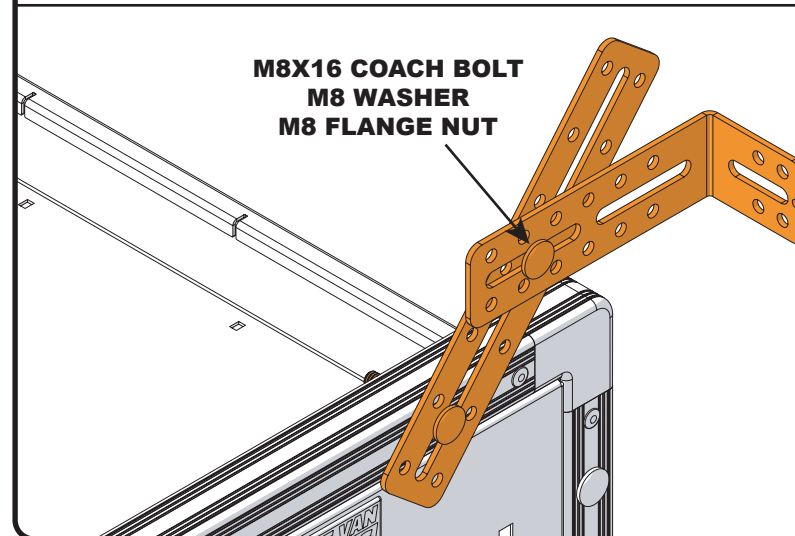
02 Each side panel requires two fixing brackets. Try to position one bracket towards the top of the unit, and the other bracket towards the bottom of the unit. Ensure the fixing brackets are positioned to pick up on the inner steel skin of the vehicle and are not against the outer skin.



03 Secure the fixing brackets (ME0919) to the unit in the required positions using M8x50 coach bolts, M8 washers and M8 flange nuts. If required, an extension bracket can be used as shown in step four.

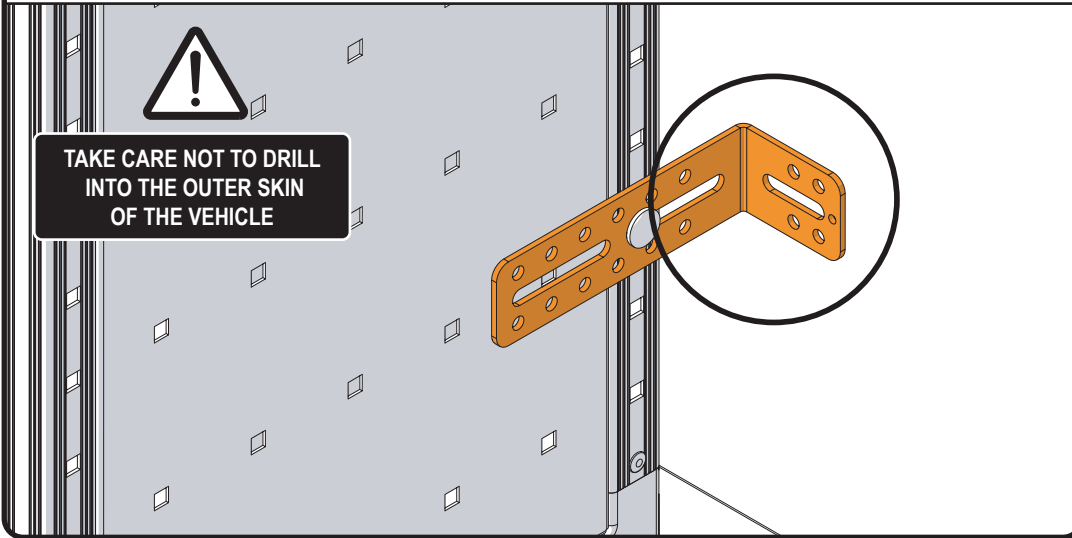


04 If required, an extension bracket can be used as shown.



05

Check the positions behind the fixing brackets are free from obstruction (wiring looms / electrical wires etc.). Once checked carefully drill through the fixing bracket holes using a suitable drill bit for the fixing.



06

Secure the fixing brackets to the side of the vehicle using M6x14 hex bolts, M6 washers and M6 flange nuts. Repeat process for each side panel.

