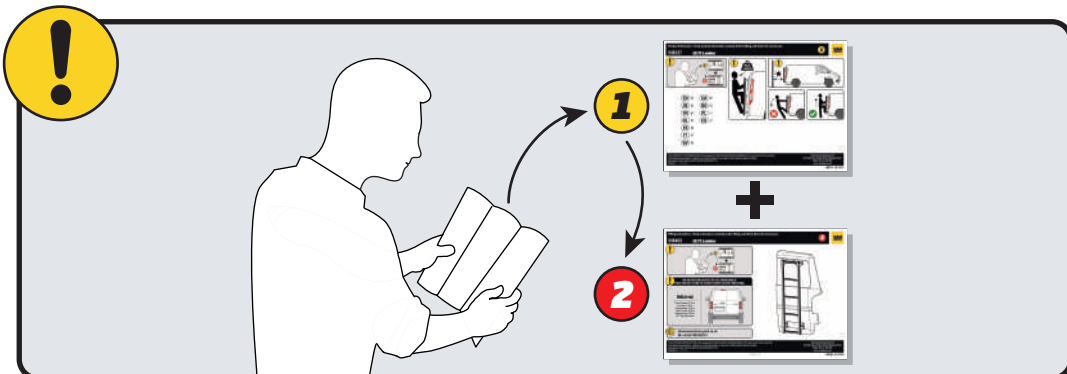


# IN8406

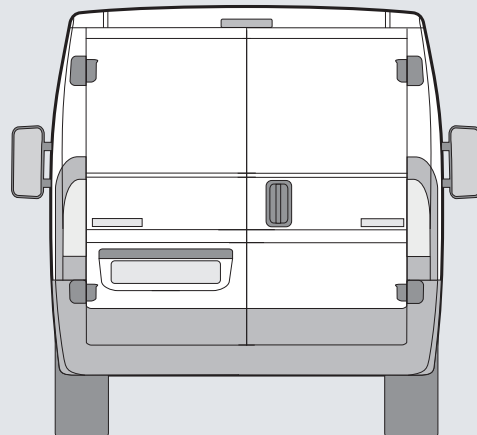
## ULTI Ladder



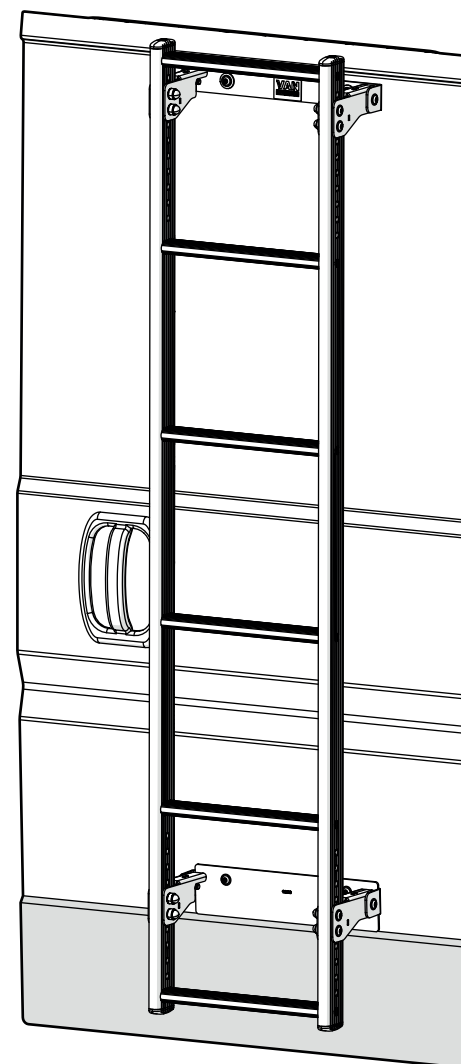
**THIS INSTRUCTION COVERS THE FOLLOWING MODELS  
CHECK YOU ARE FITTING THE CORRECT MODEL BEFORE PROCEEDING**

### VGL6-02

Citroen Relay: 2006 on  
Fiat Ducato: 2006 on  
Peugeot Boxer: 2006 on  
Vauxhall Movano: 2022 on  
H1 - Twin Rear Doors



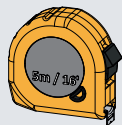
**Customercare@van-guard.co.uk**  
**UK +44 (0) 1392 368 351**



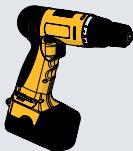
**SUPPLIED COMPONENTS - CHECK ALL PARTS ARE PRESENT AND CORRECT BEFORE PROCEEDING**

**TOOLS REQUIRED**

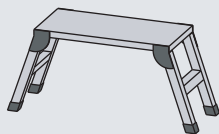
**13MM X1**



**4MM X1**



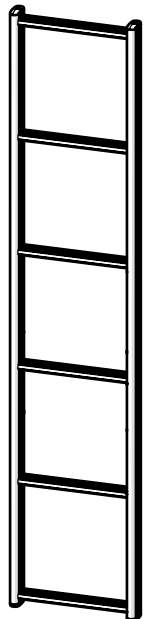
**9MM X1**



**X1**

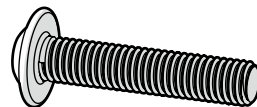


**AS3593 X1**



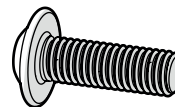
**FX4249 X8**

(M8X40)



**FX4250 X10**

(M8X25)



**ME1946 X1**

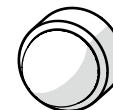


**FX4240 X18**

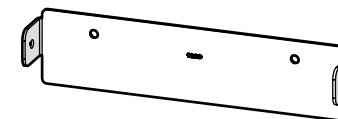
(M8)



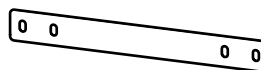
**FX4241 X8**



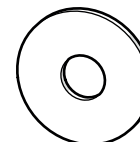
**ME1909 X1**



**MA6200 X3**



**FX4252 X2**



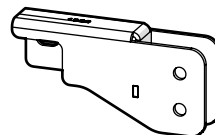
**ME1633 X1**



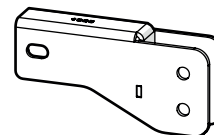
**FX4008 X1**



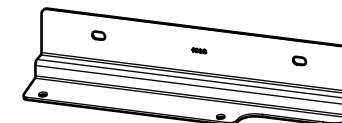
**ME1906 X2**



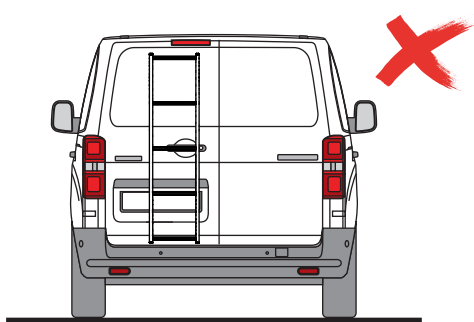
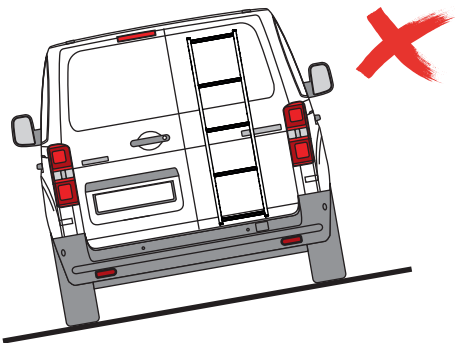
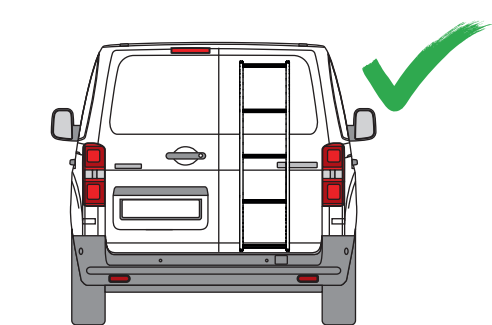
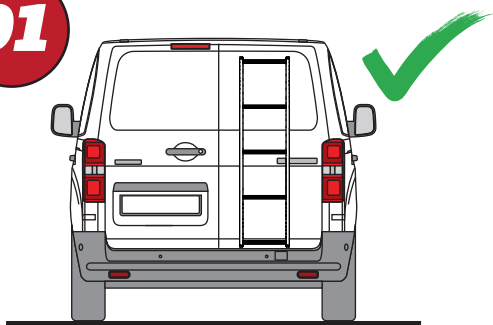
**ME1905 X2**



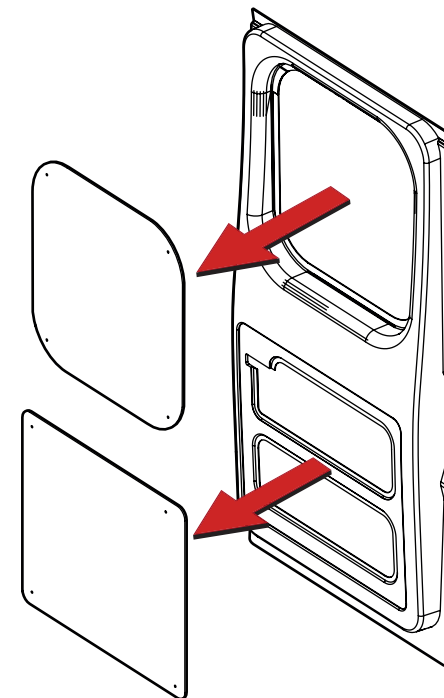
**ME1908 X1**



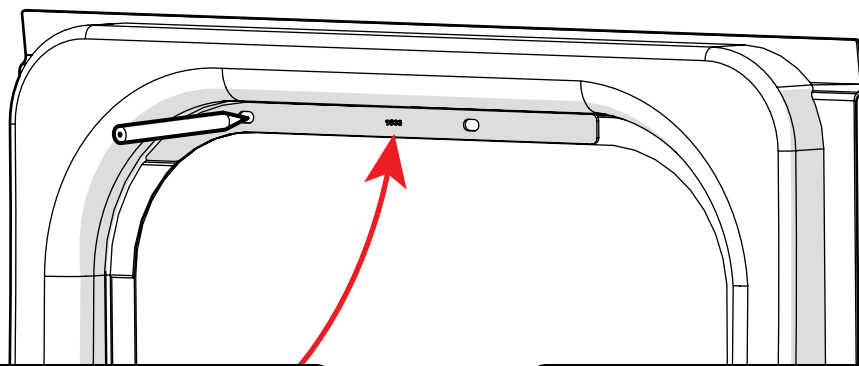
01



02



03



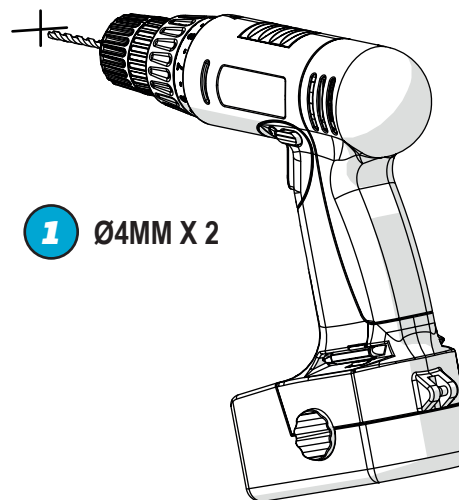
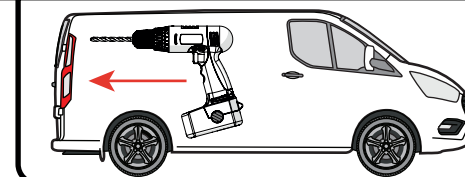
ME1633



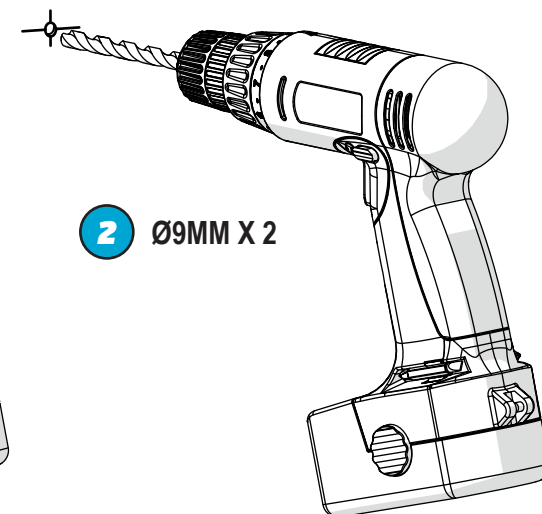
X2



04



1 Ø4MM X 2

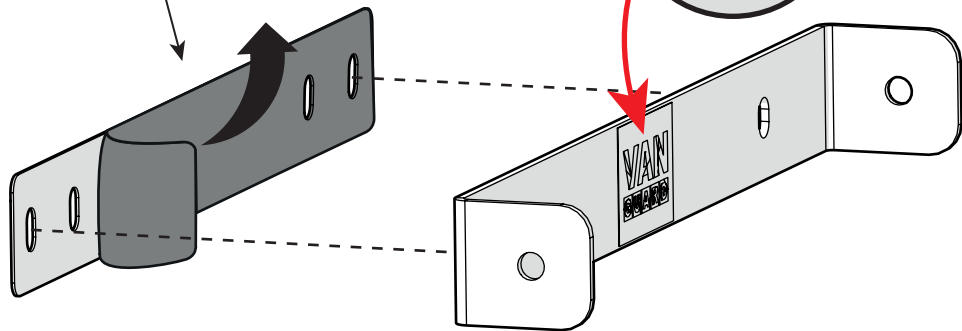


2 Ø9MM X 2

05

MA6200

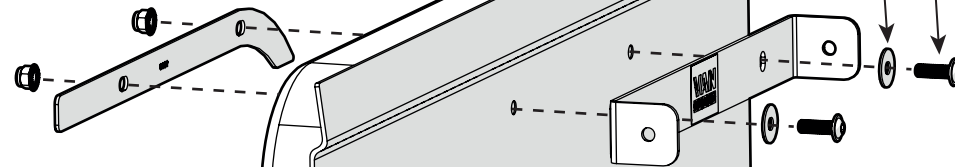
VAN  
GUARD



06

FX4250

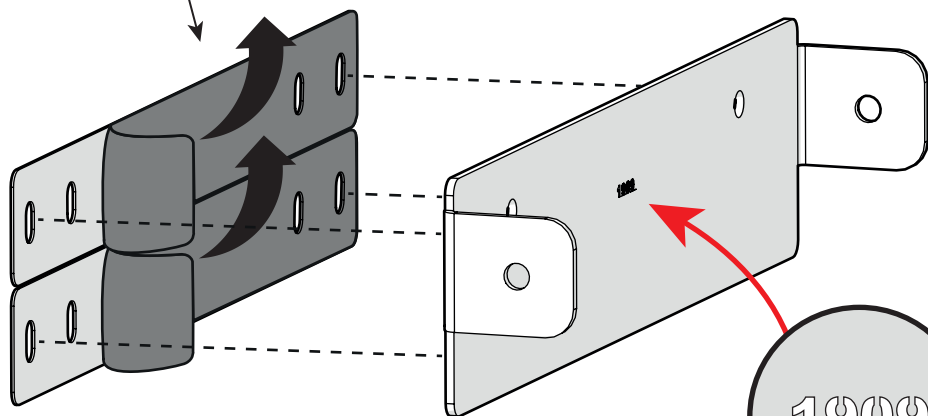
FX4252



07

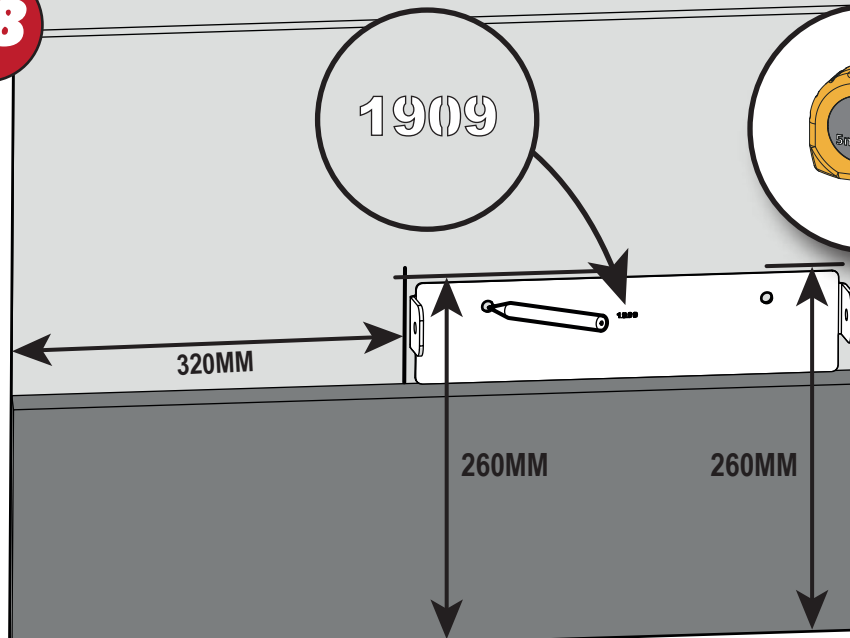
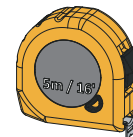
MA6200

1909

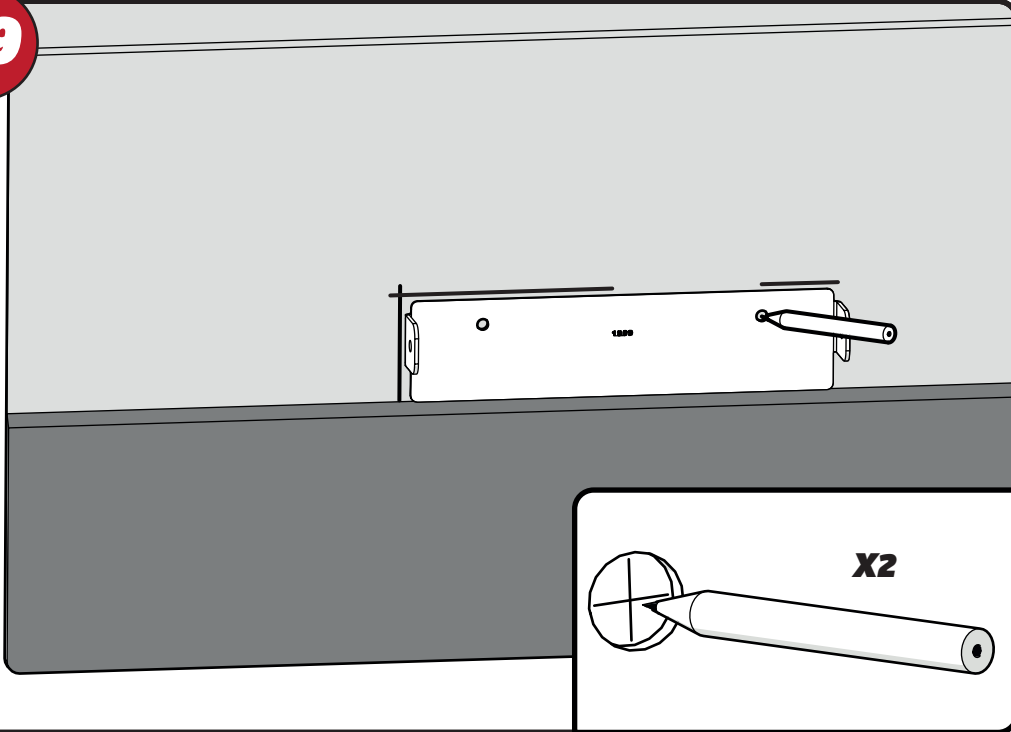


08

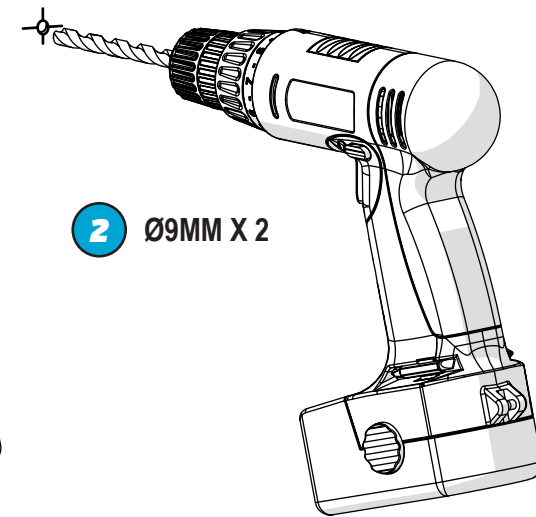
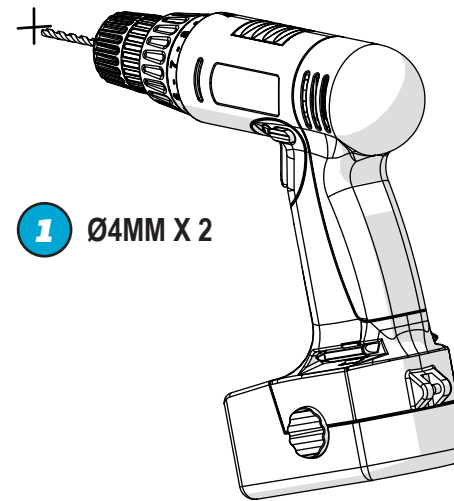
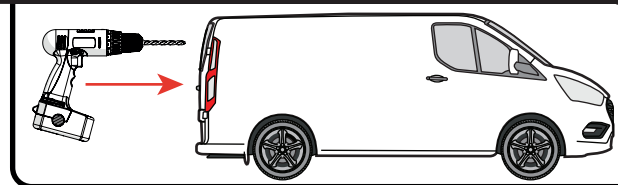
1909



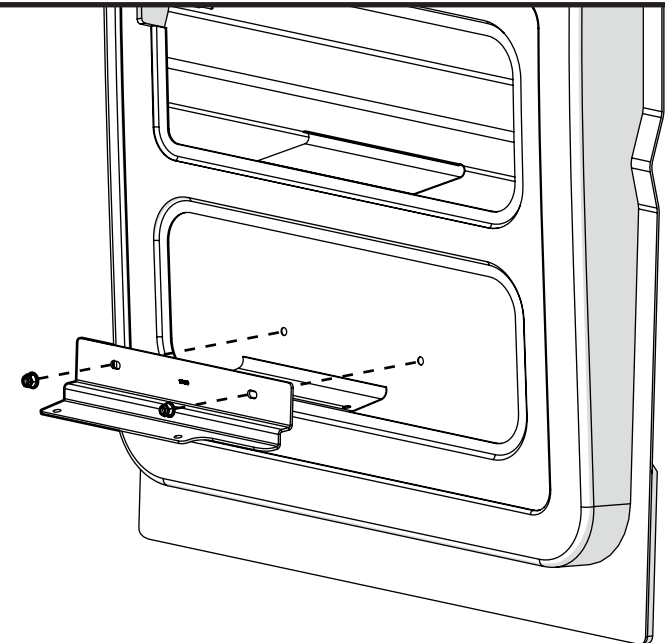
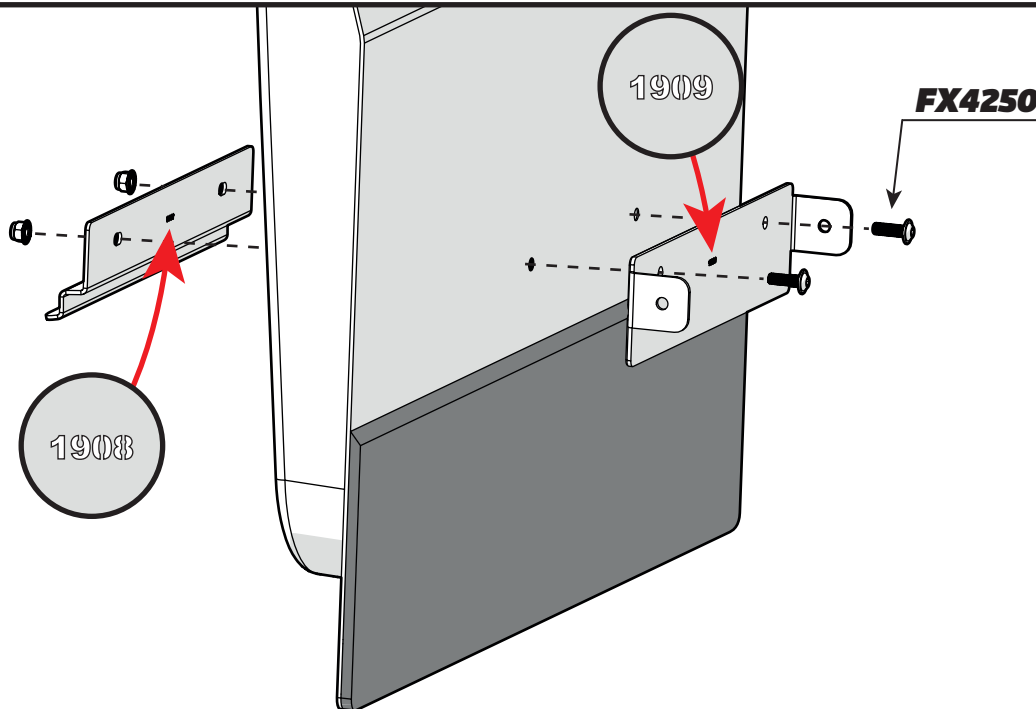
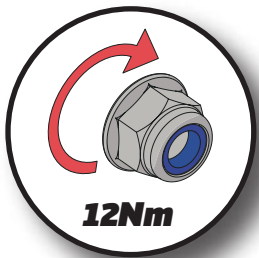
09



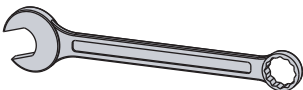
10



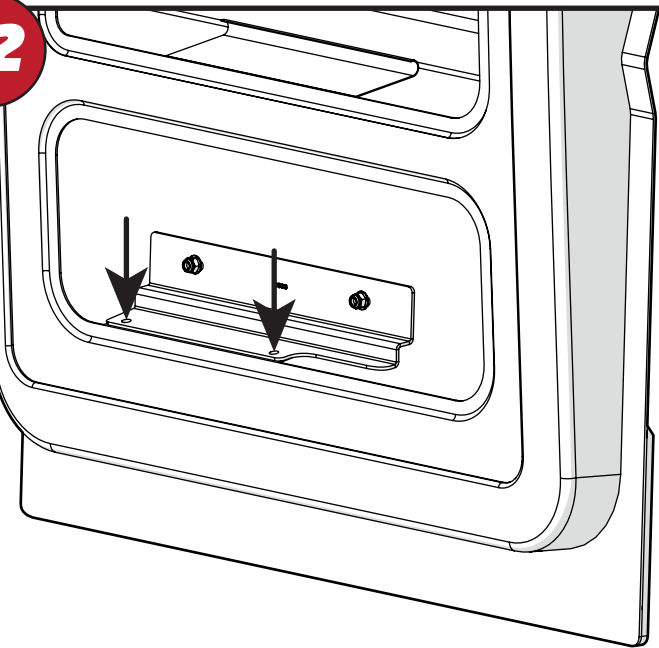
11



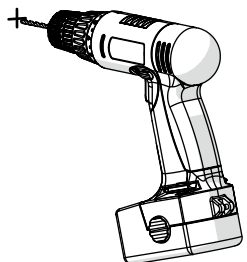
FX4008



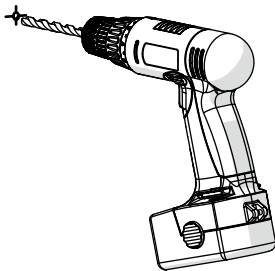
12



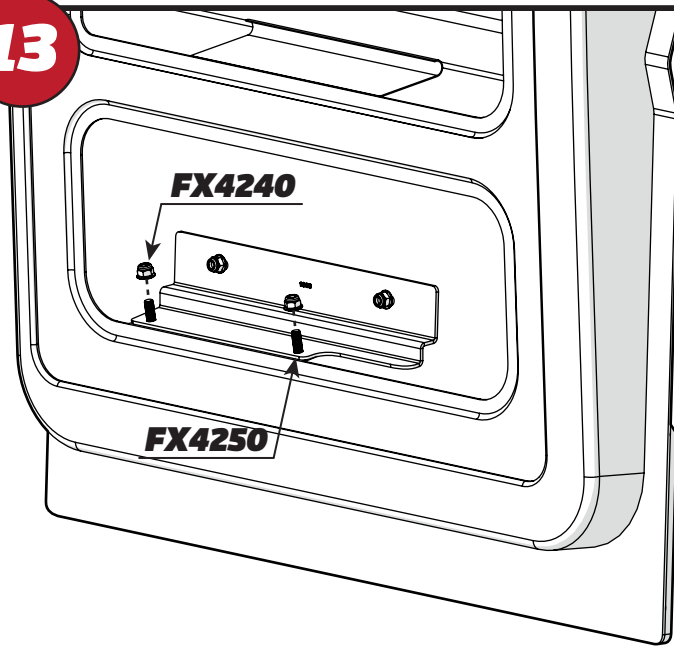
1 Ø4MM X 2



2 Ø9MM X 2

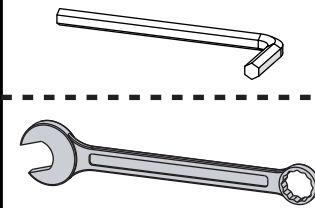


13

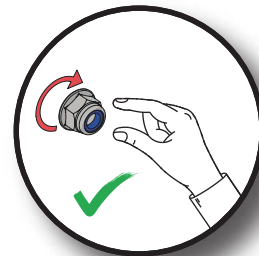
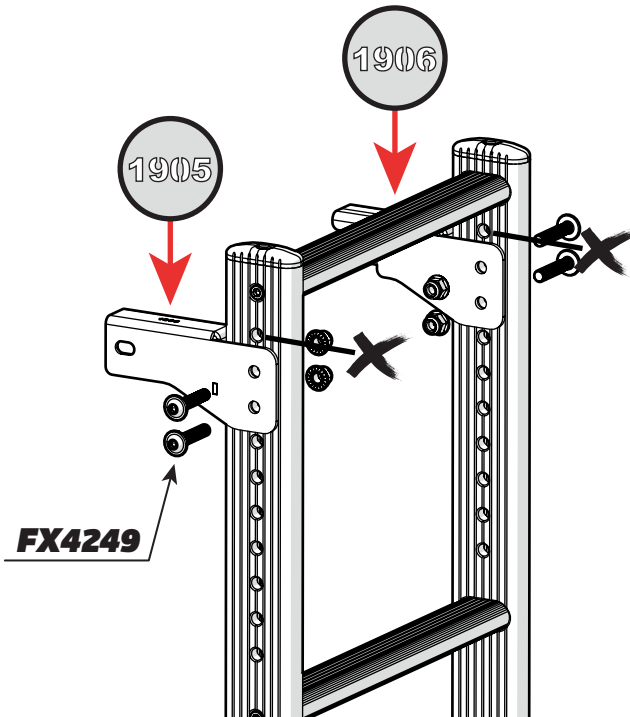


12Nm

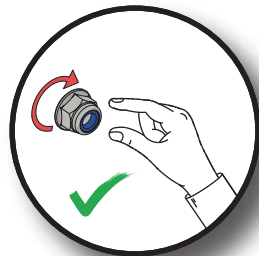
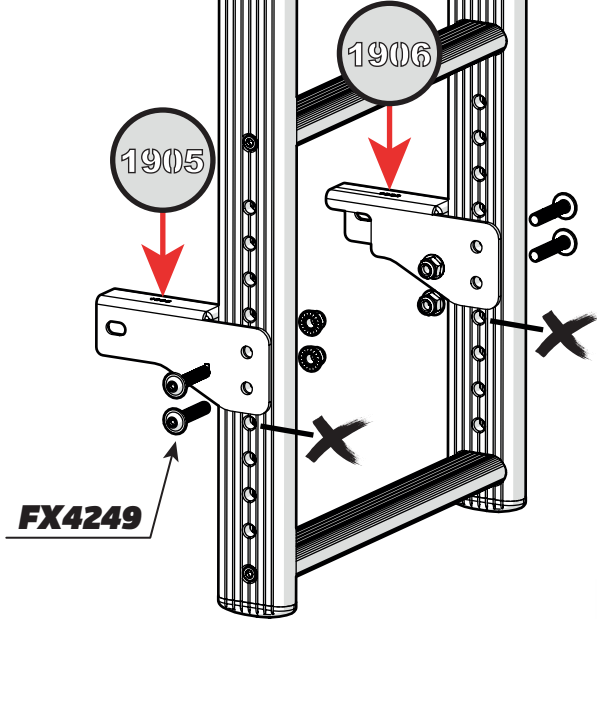
FX4008



14

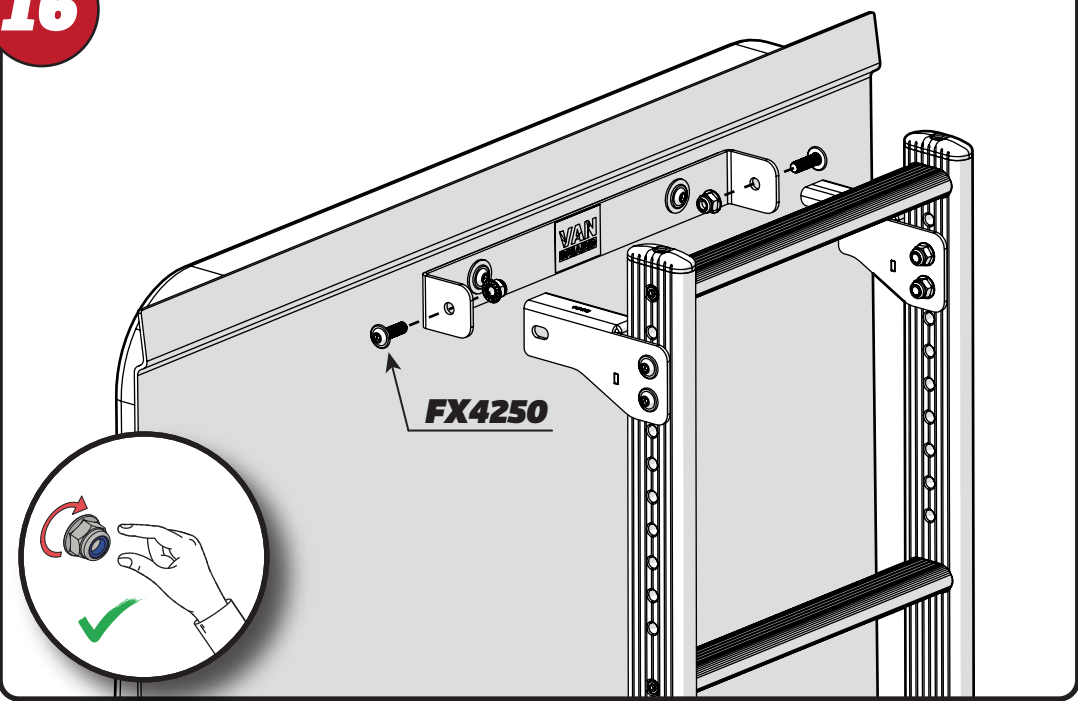


15

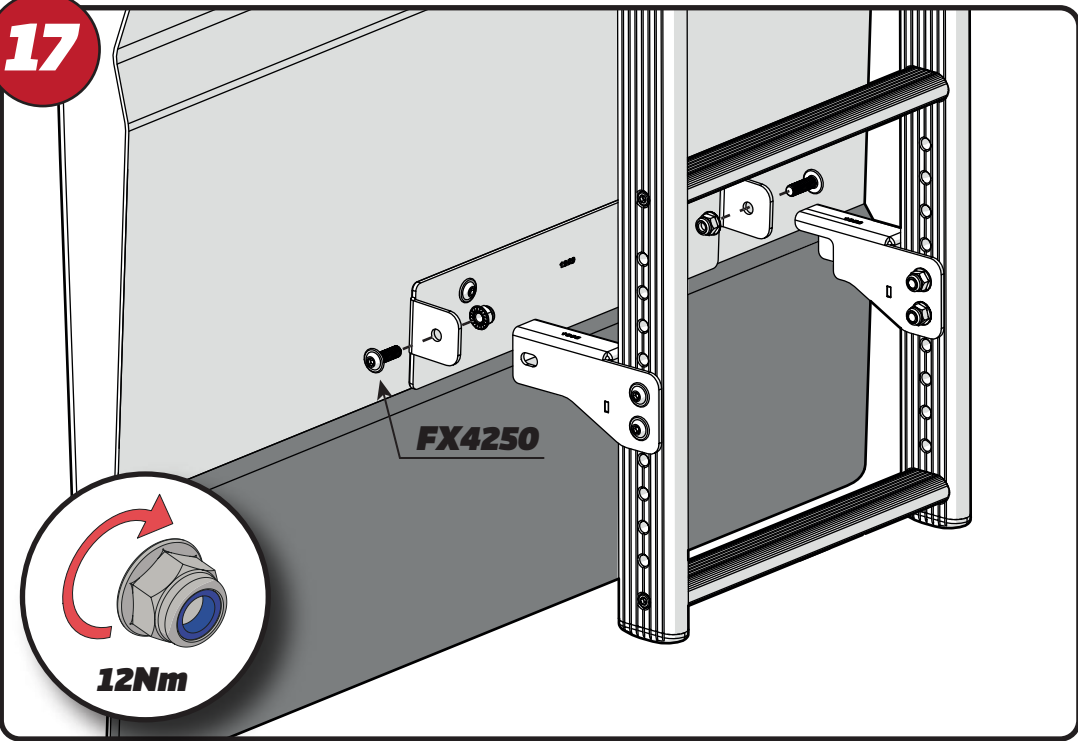




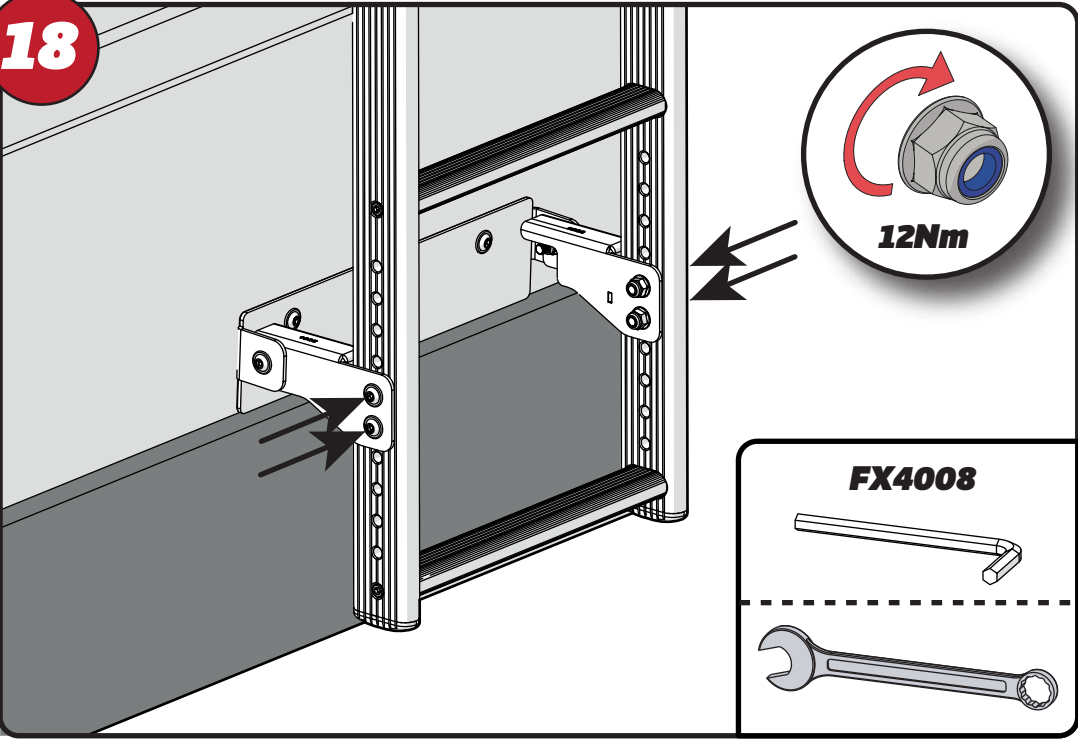
16



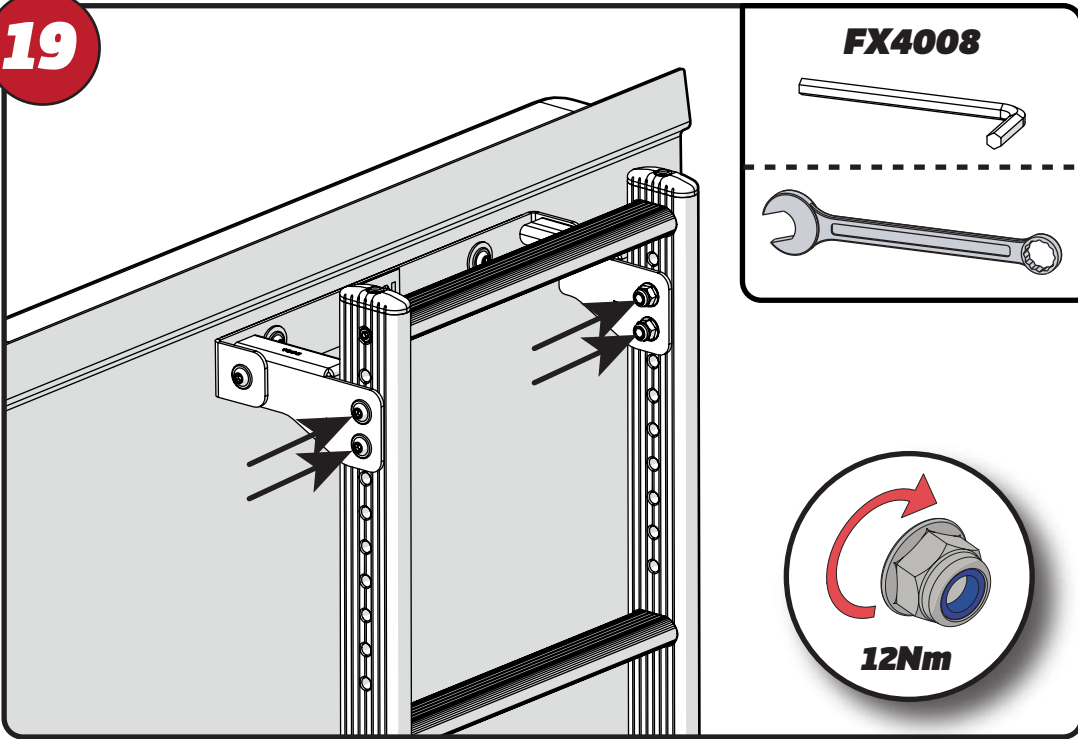
17



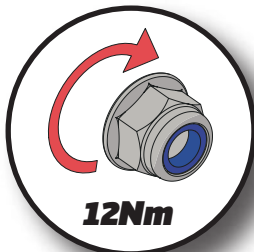
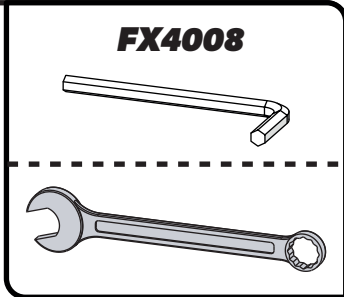
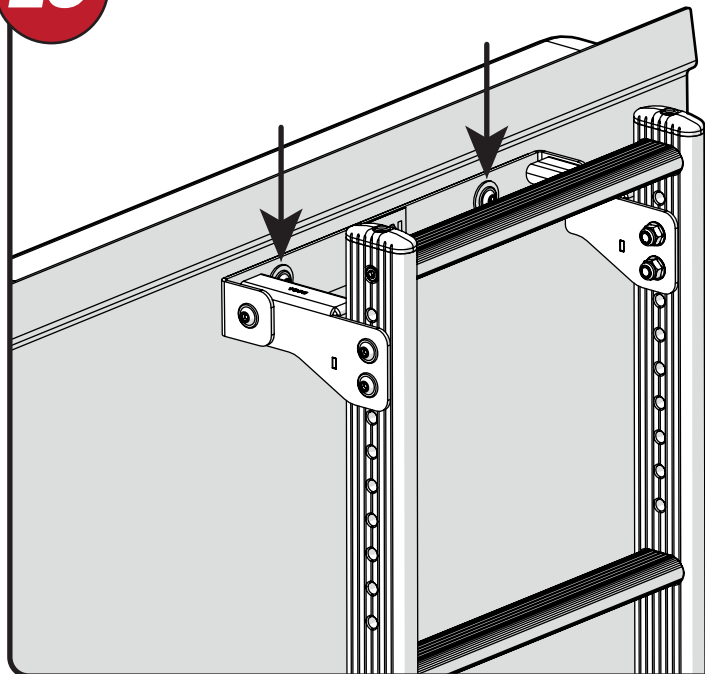
18



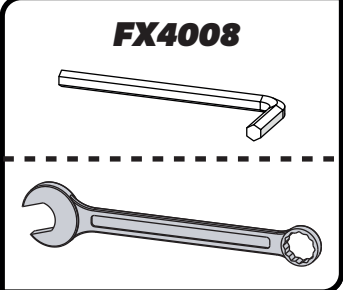
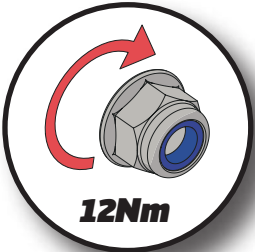
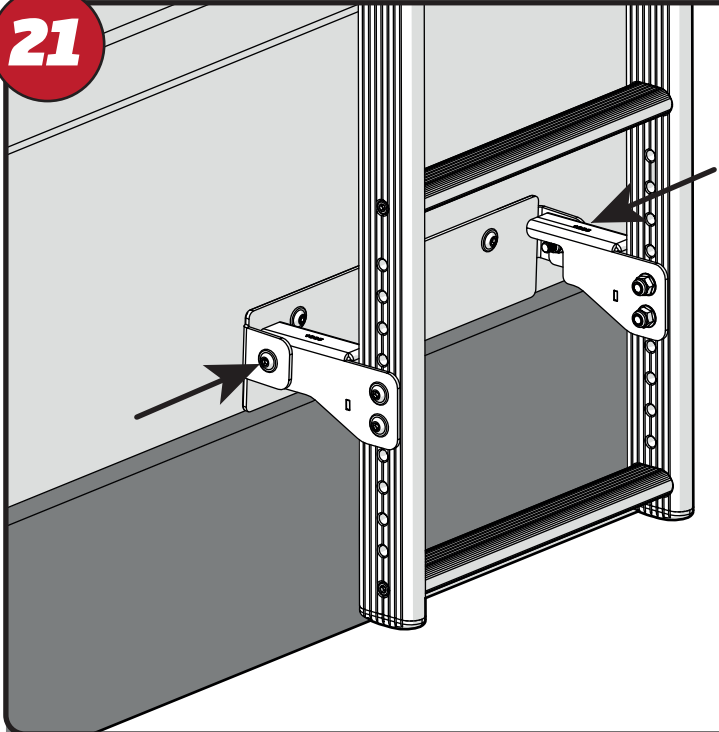
19



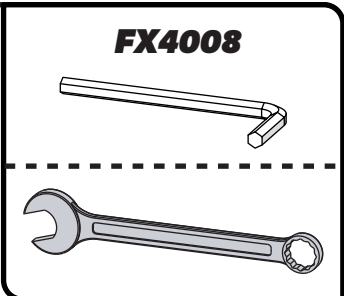
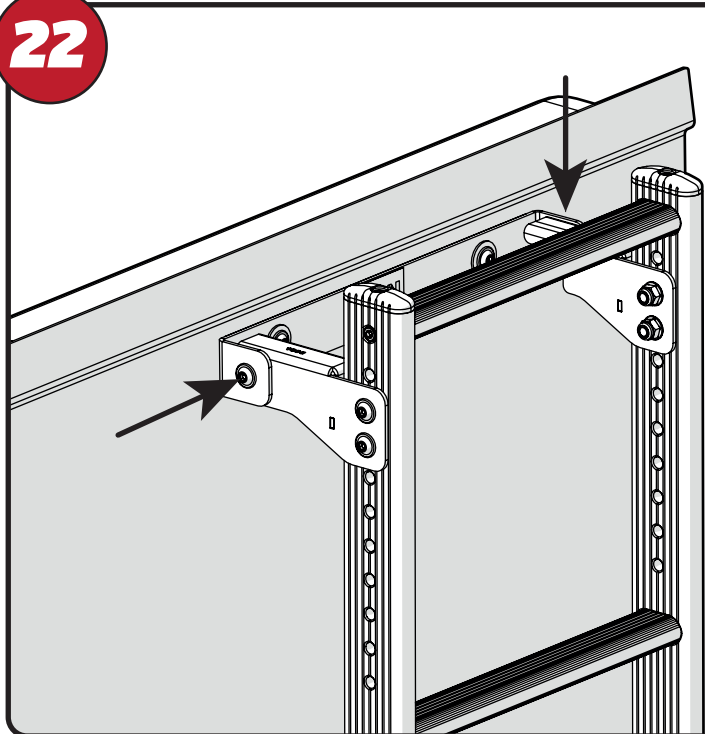
20



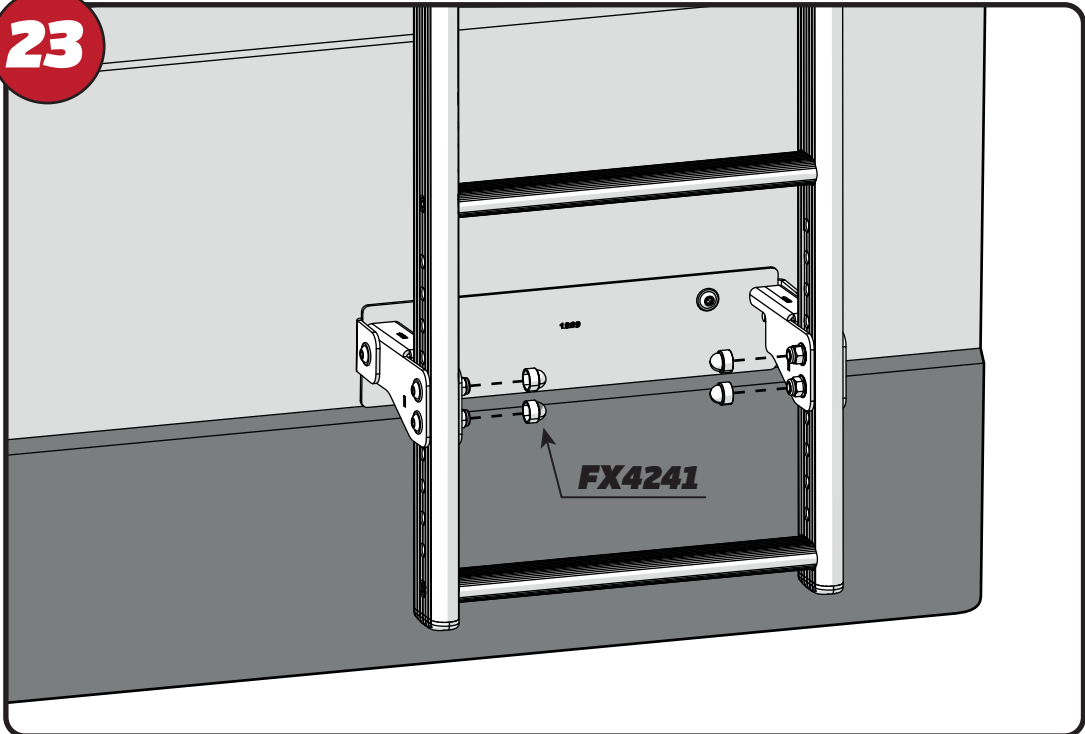
21



22

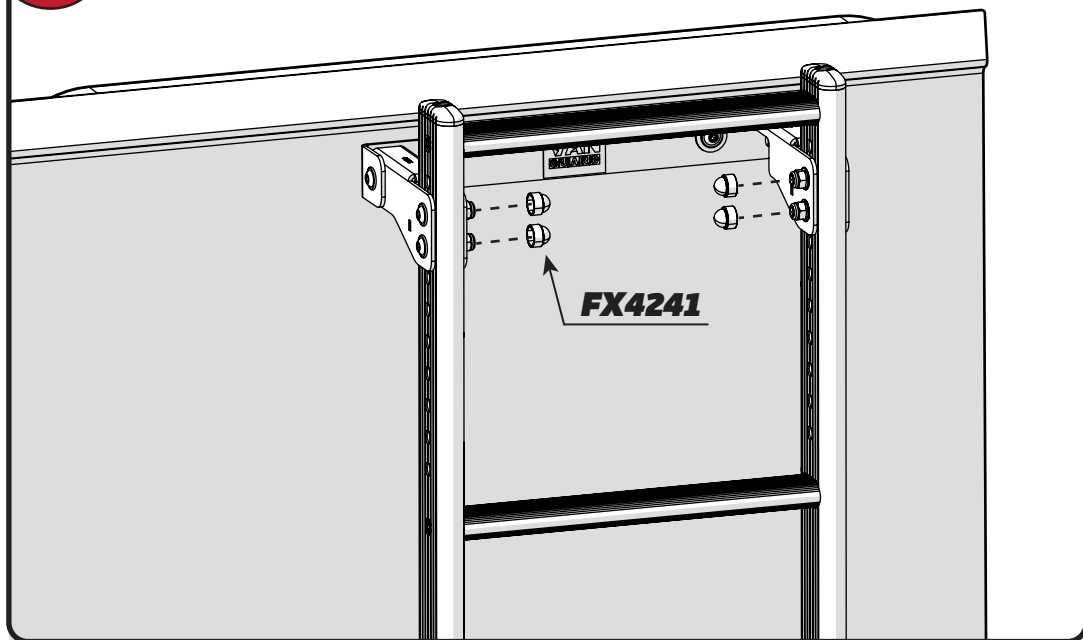


23





24



25

