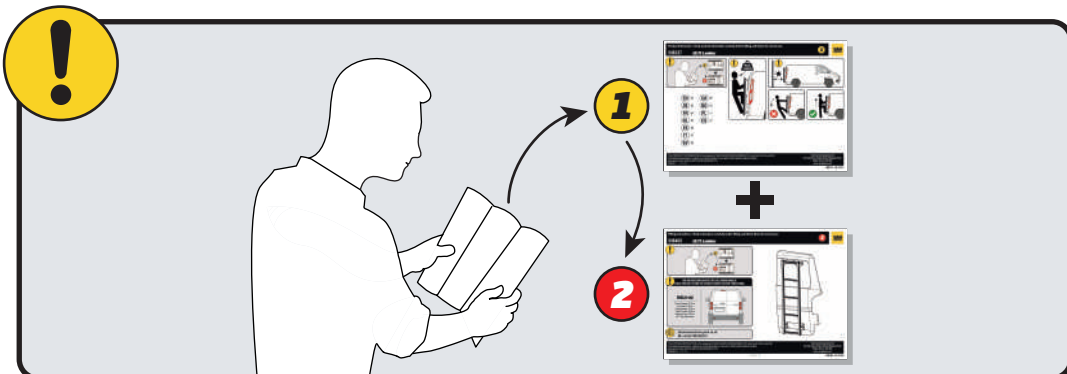


IN8412

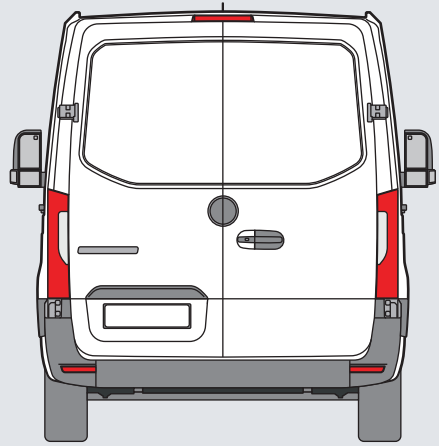
ULTI Ladder



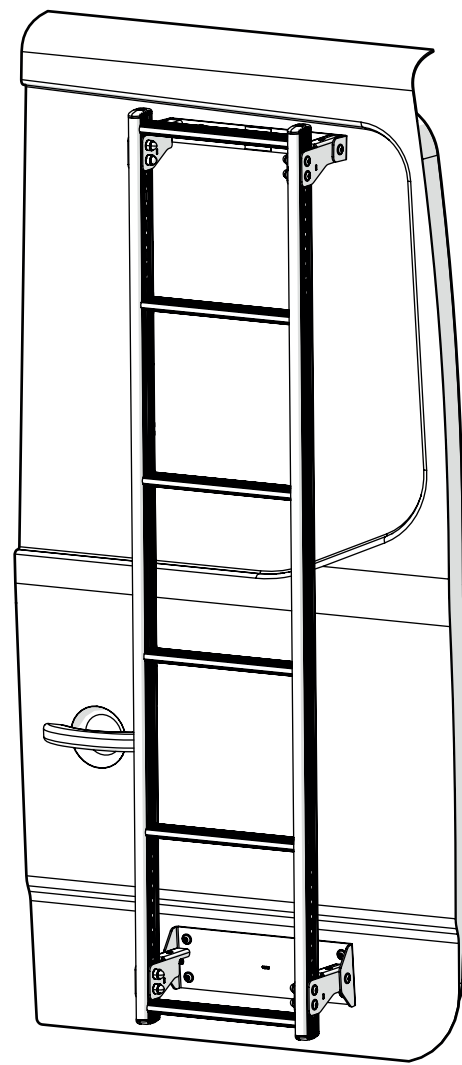
**! THIS INSTRUCTION COVERS THE FOLLOWING MODELS
CHECK YOU ARE FITTING THE CORRECT MODEL BEFORE PROCEEDING**

VGL6-08

Mercedes Sprinter: 2006 on
Volkswagen Crafter: 2006-2017
H1 - Twin Rear Doors



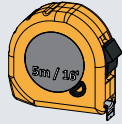
**Customercare@van-guard.co.uk
UK +44 (0) 1392 368 351**



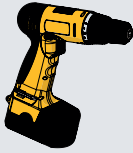
SUPPLIED COMPONENTS - CHECK ALL PARTS ARE PRESENT AND CORRECT BEFORE PROCEEDING

TOOLS REQUIRED

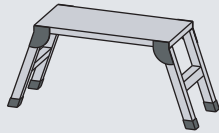
13MM X1



4MM X1



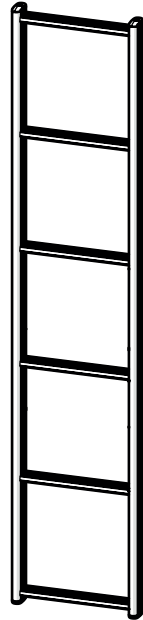
9MM X1



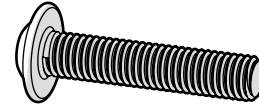
X1



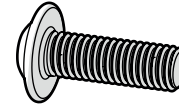
AS3593 X1



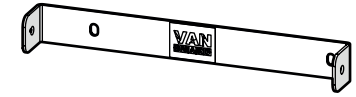
FX4249 X8
(M8X40)



FX4250 X10
(M8X25)



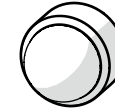
ME1948 X1



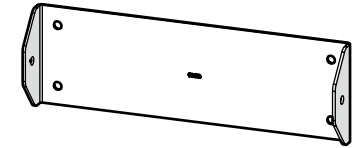
FX4240 X18
(M8)



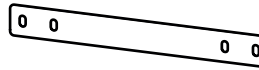
FX4241 X8



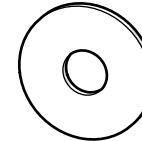
ME1920 X1



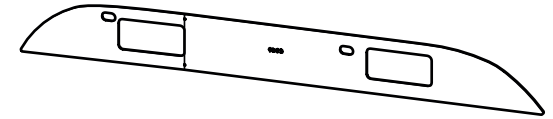
MA6200 X3



FX4252 X2



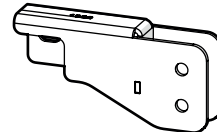
ME1913 X1



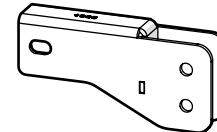
FX4008 X1



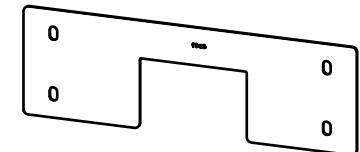
ME1906 X2



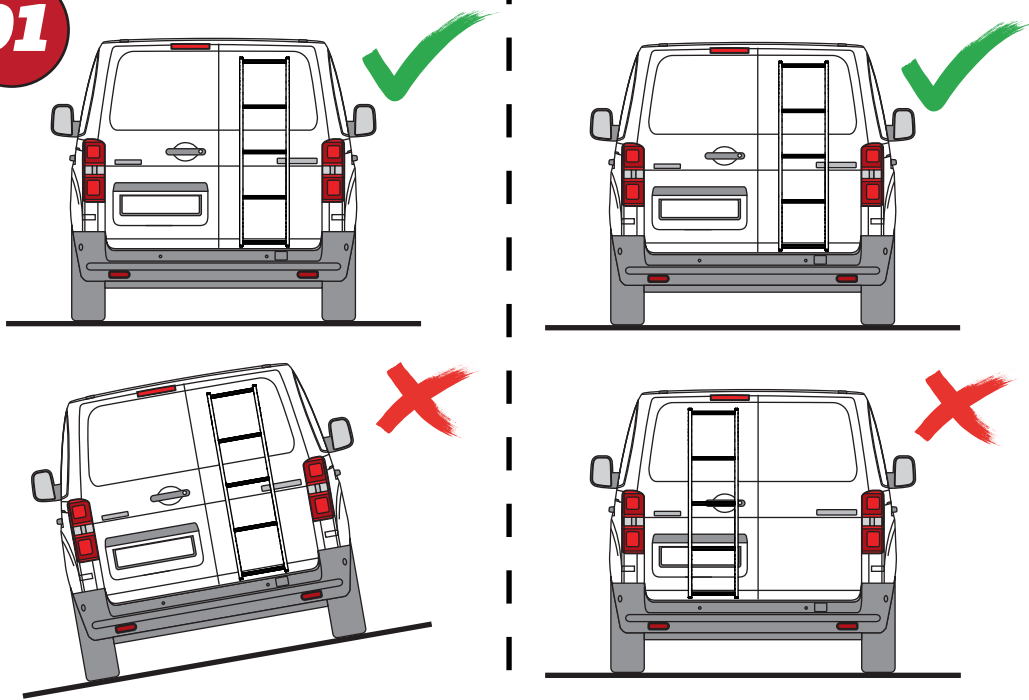
ME1905 X2



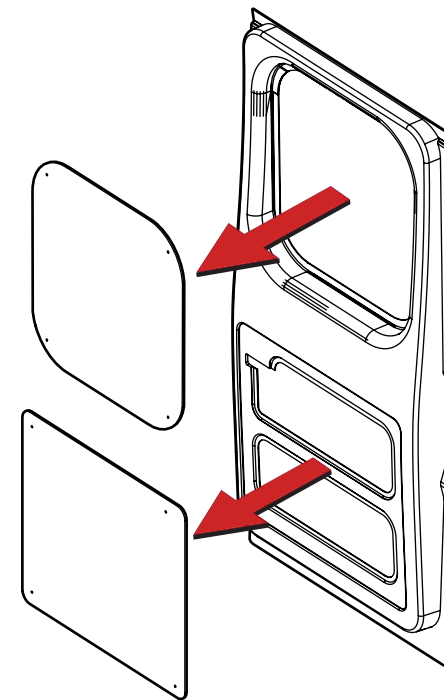
ME1935 X1



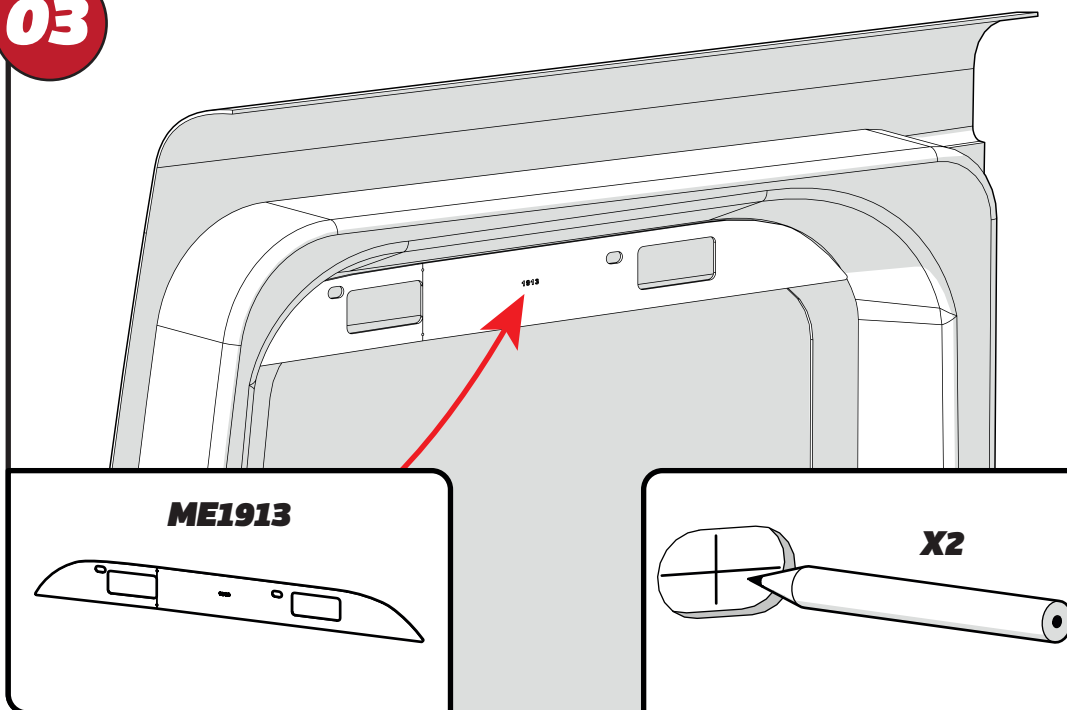
01



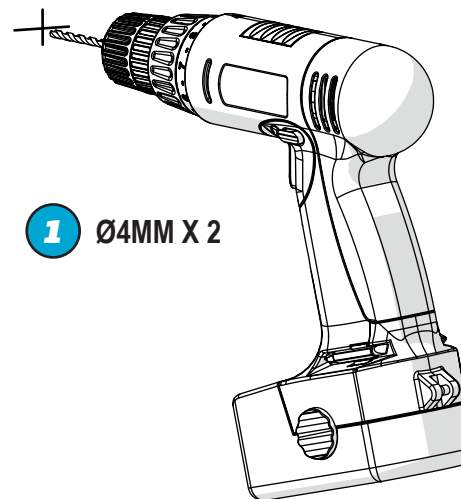
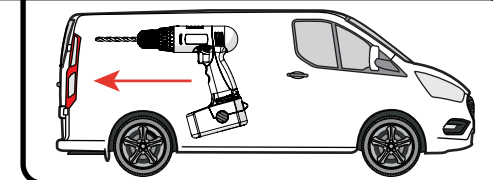
02



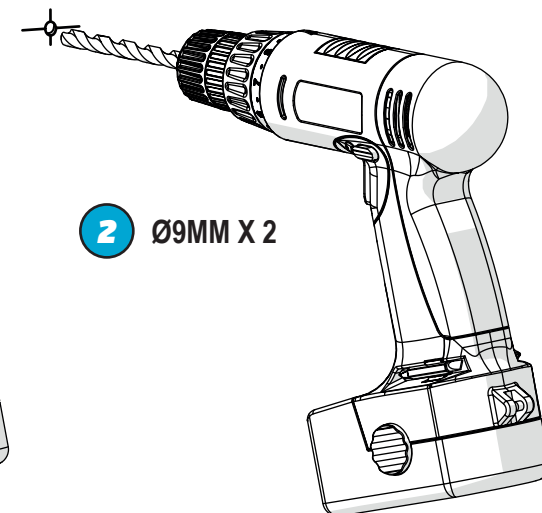
03



04



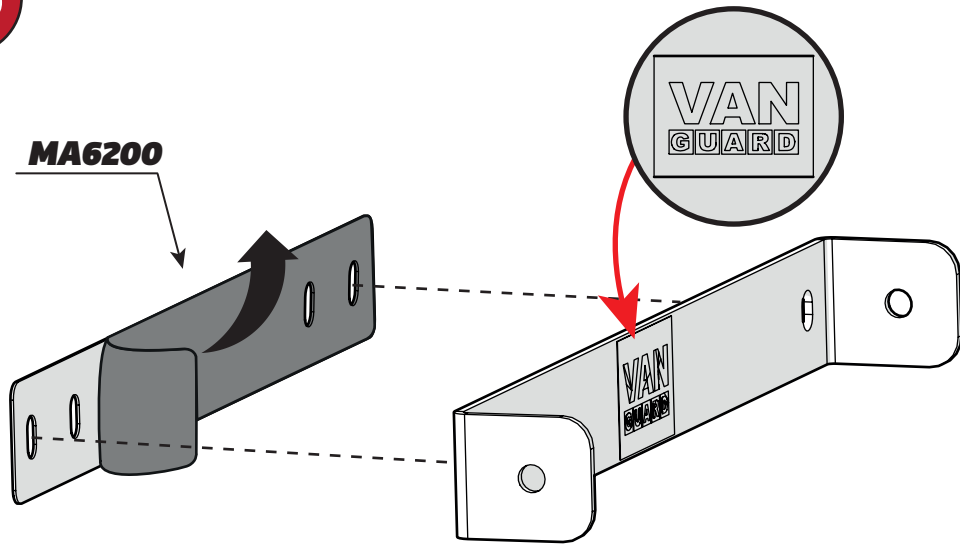
1 Ø4MM X 2



2 Ø9MM X 2

05

MA6200



06

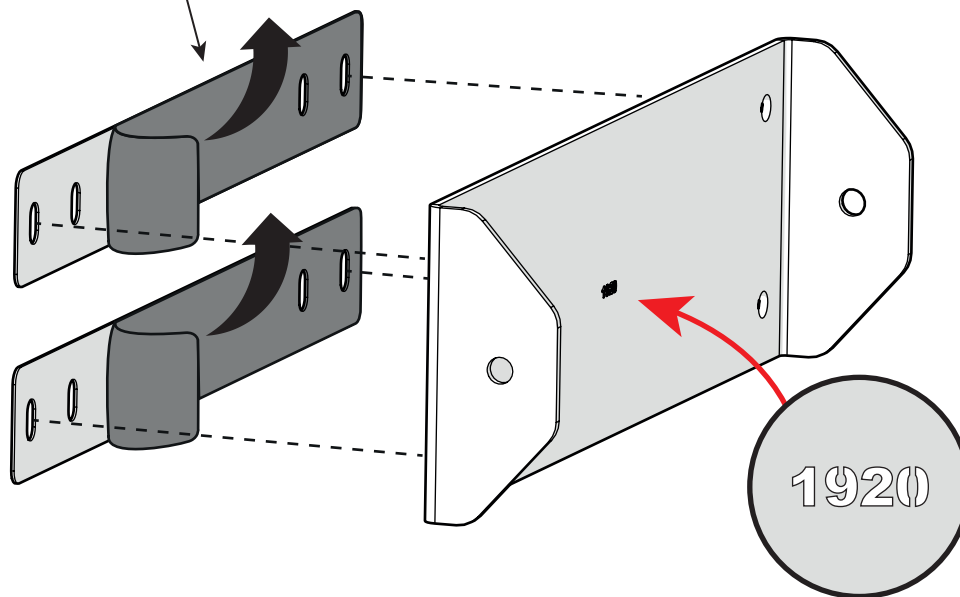
FX4250

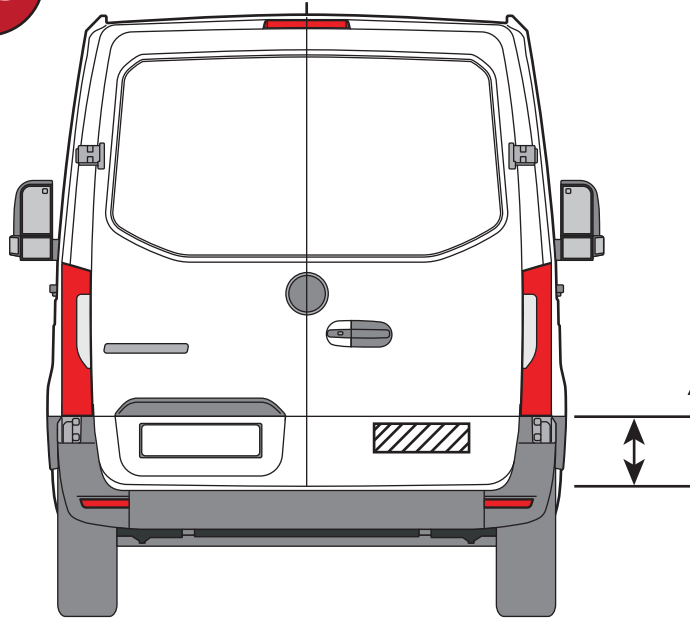
FX4252



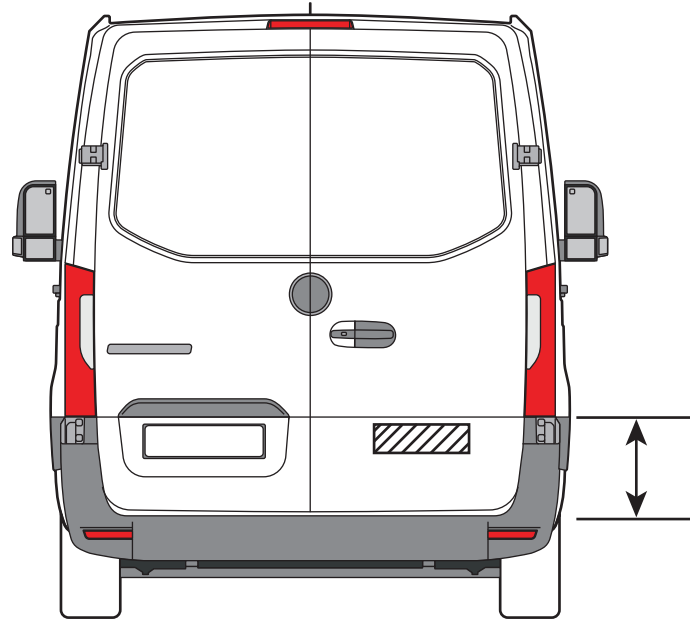
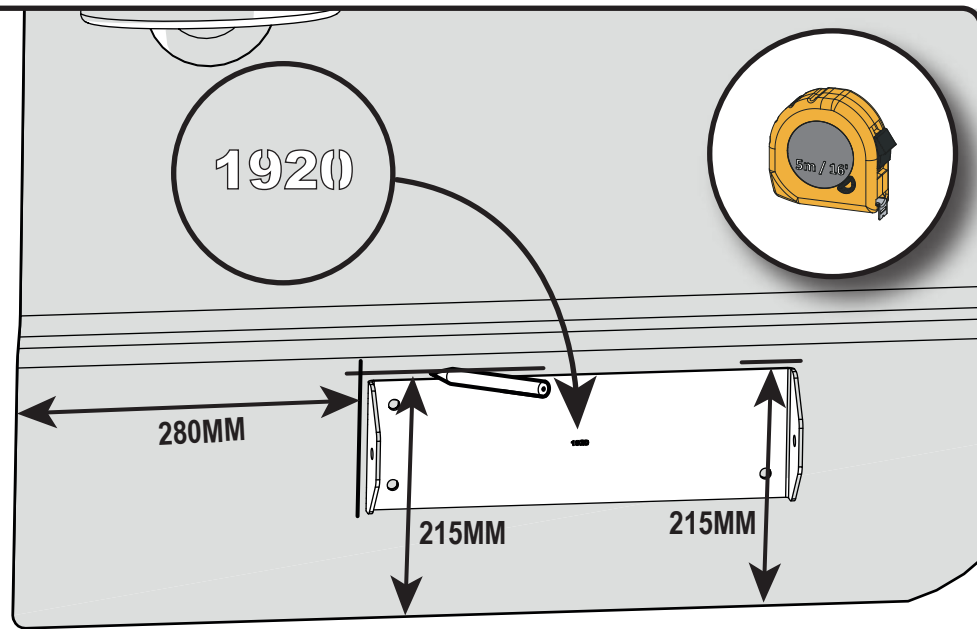
07

MA6200

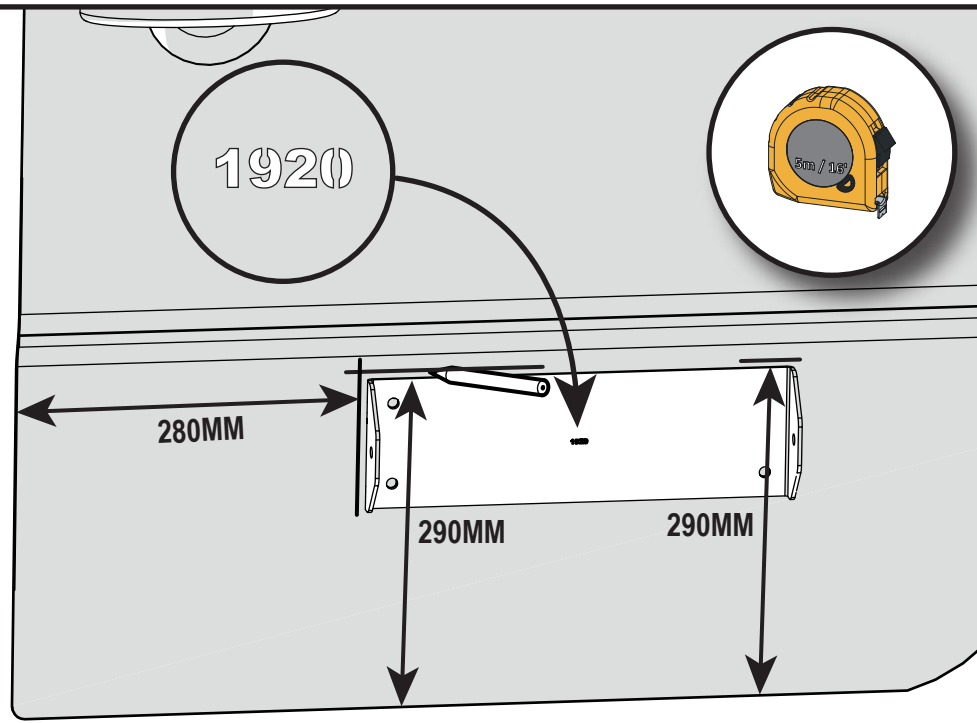




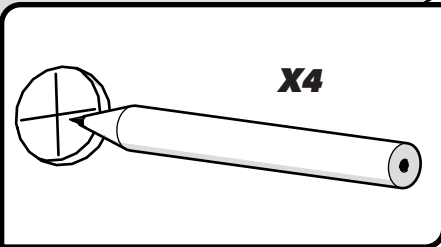
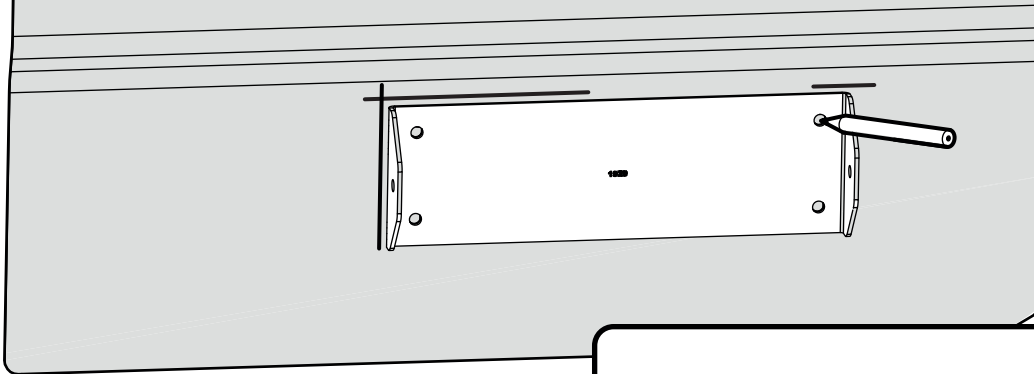

RWD
AWD



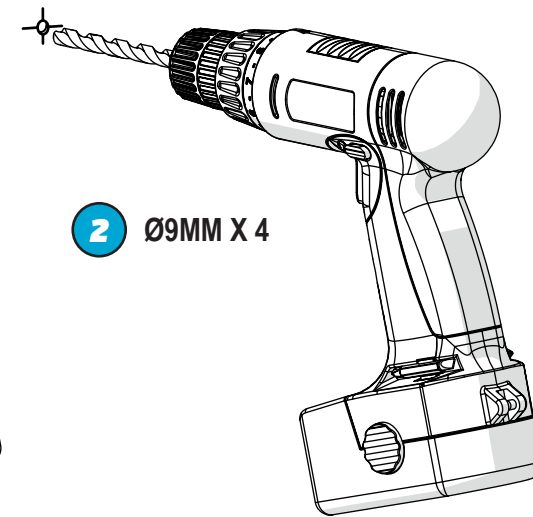
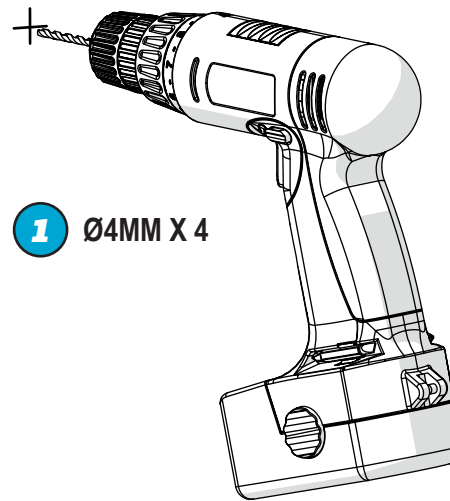
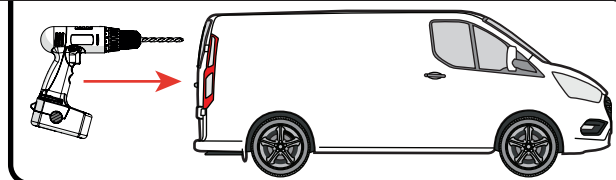

FWD



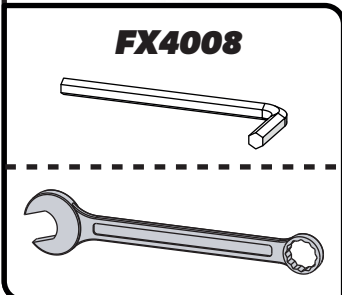
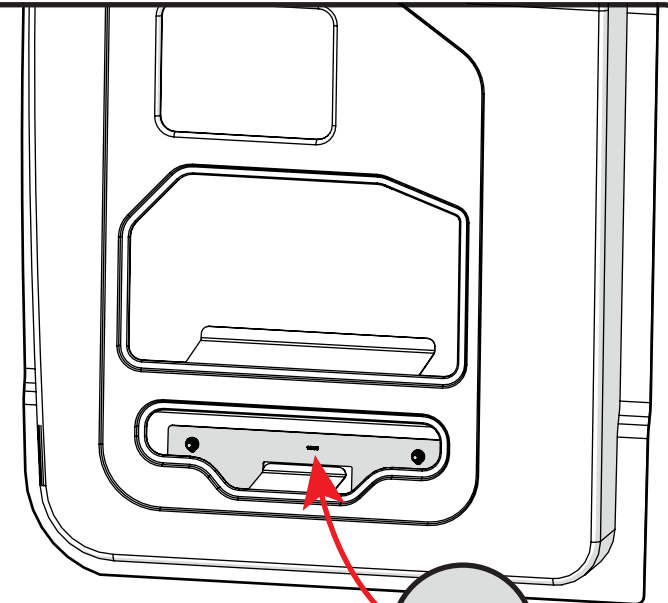
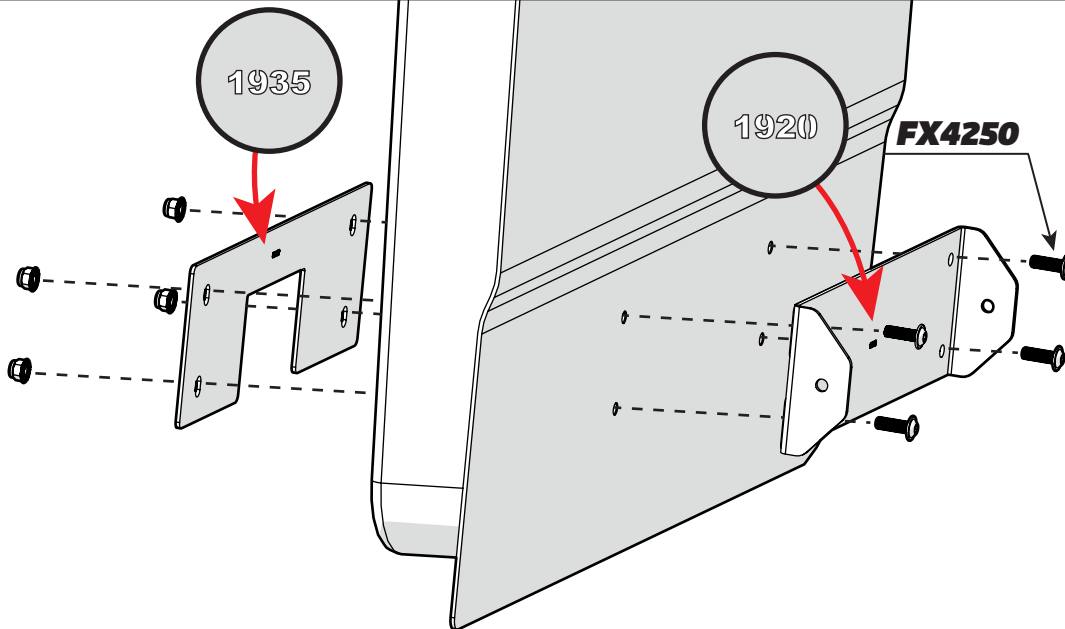
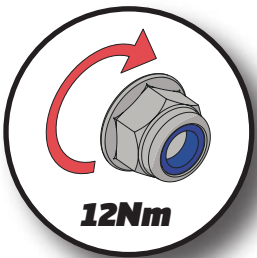
09



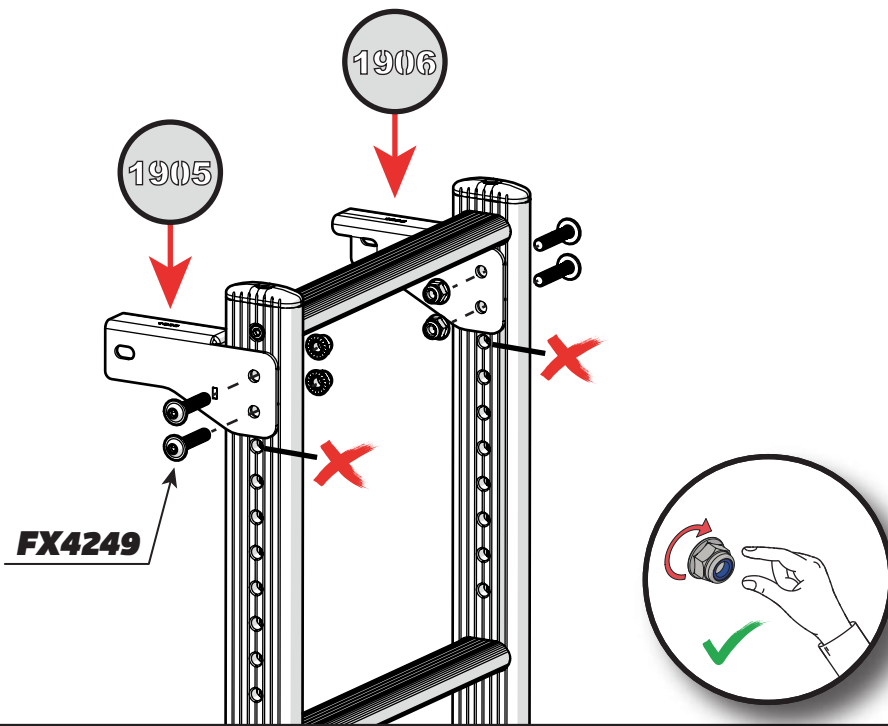
10



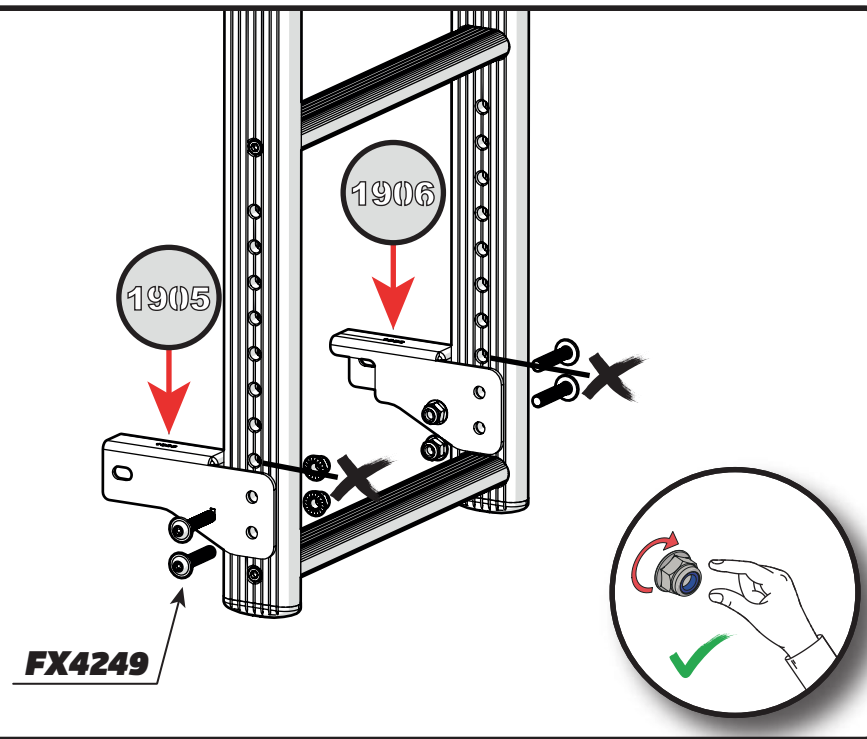
11



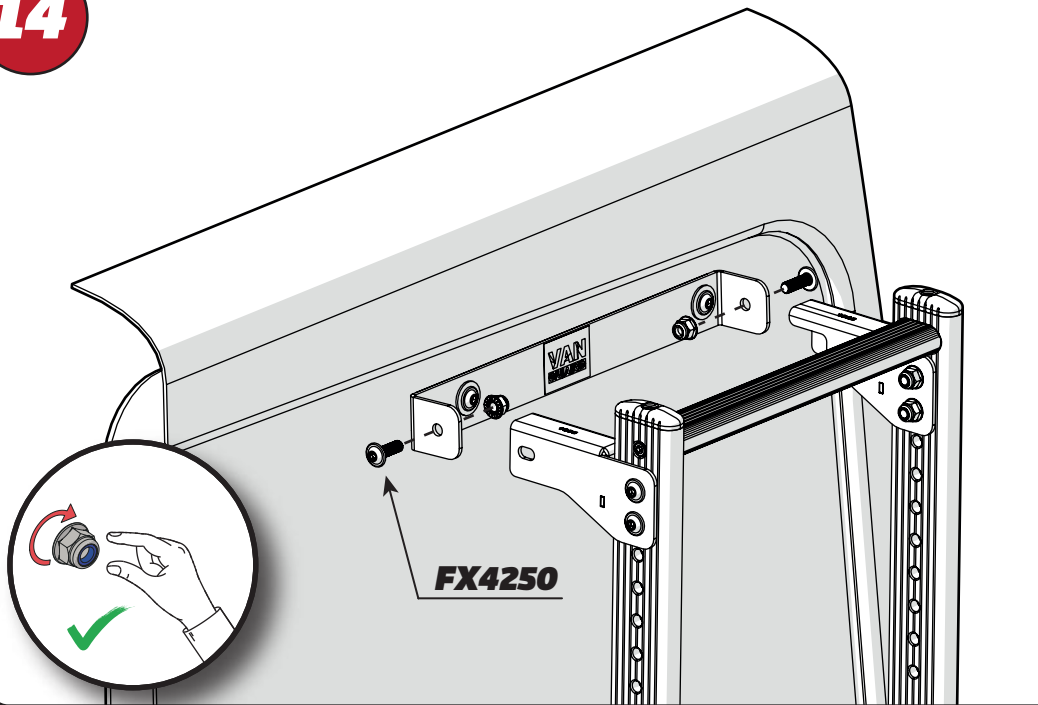
12



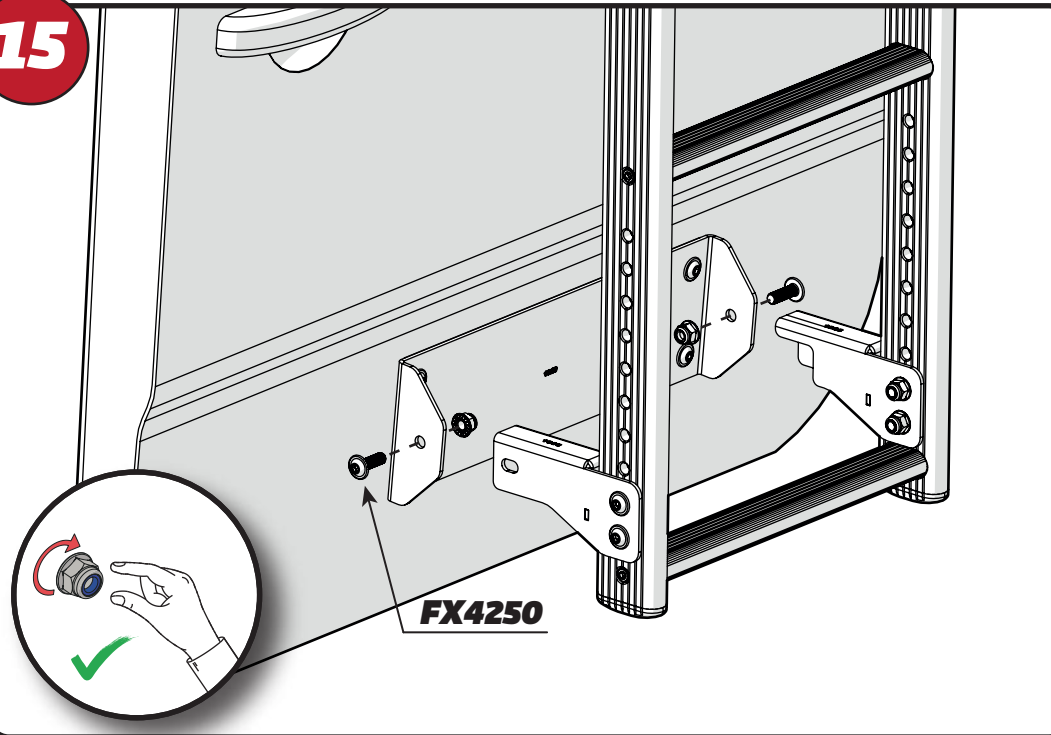
13



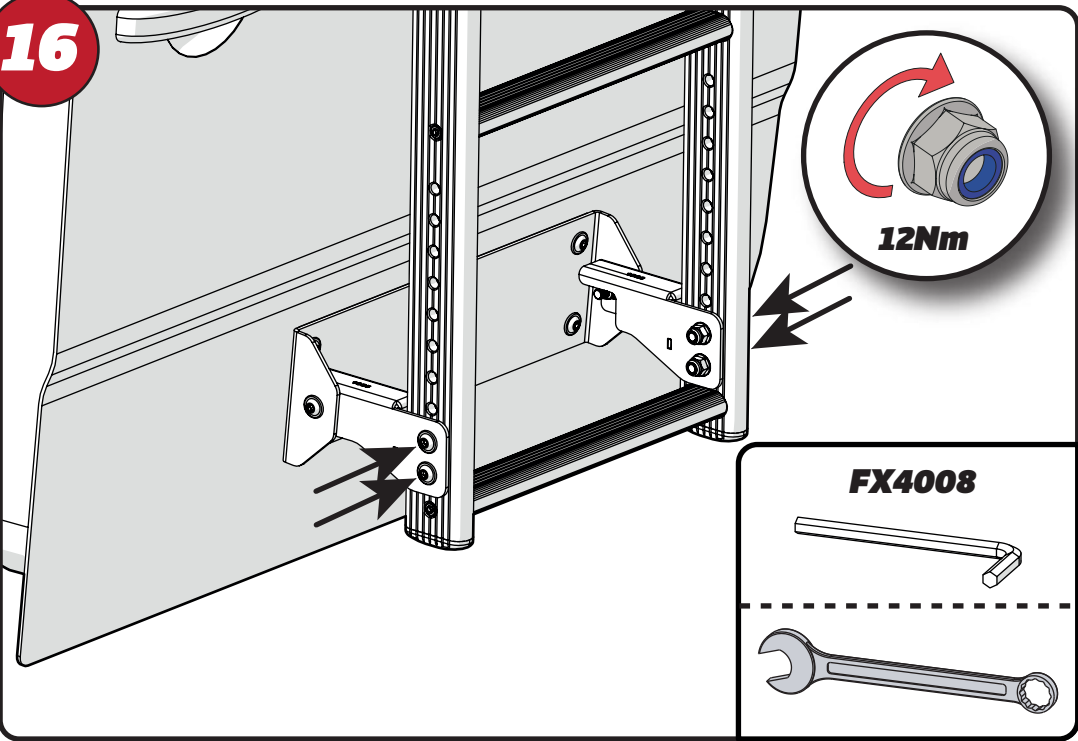
14



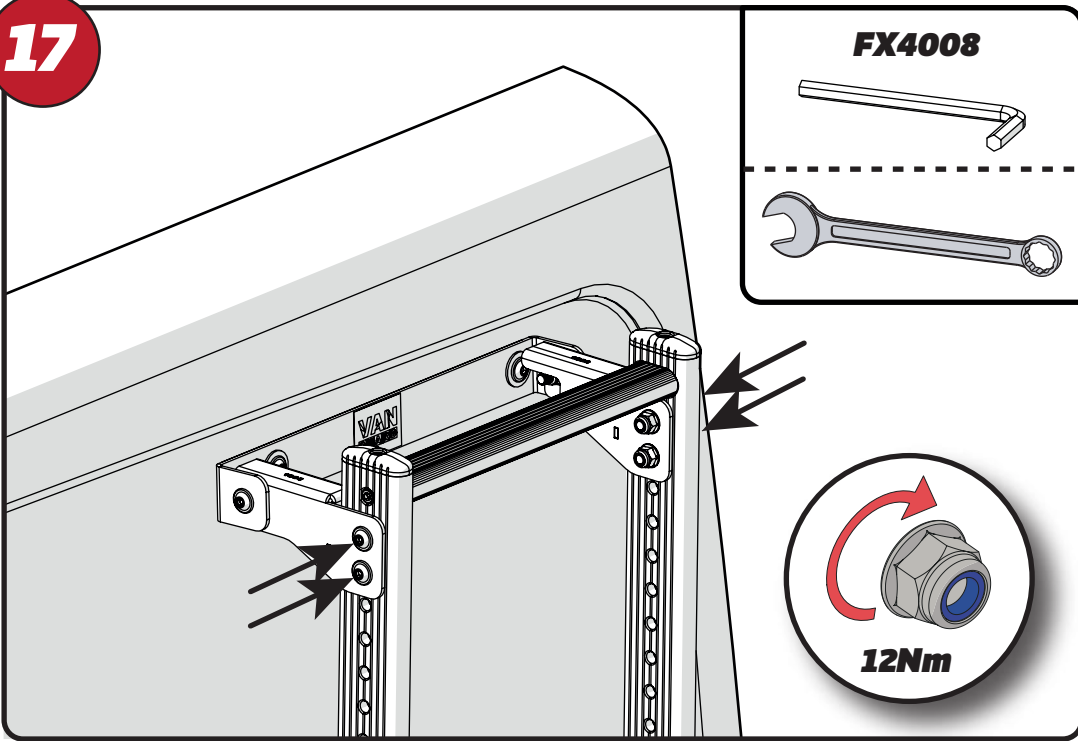
15



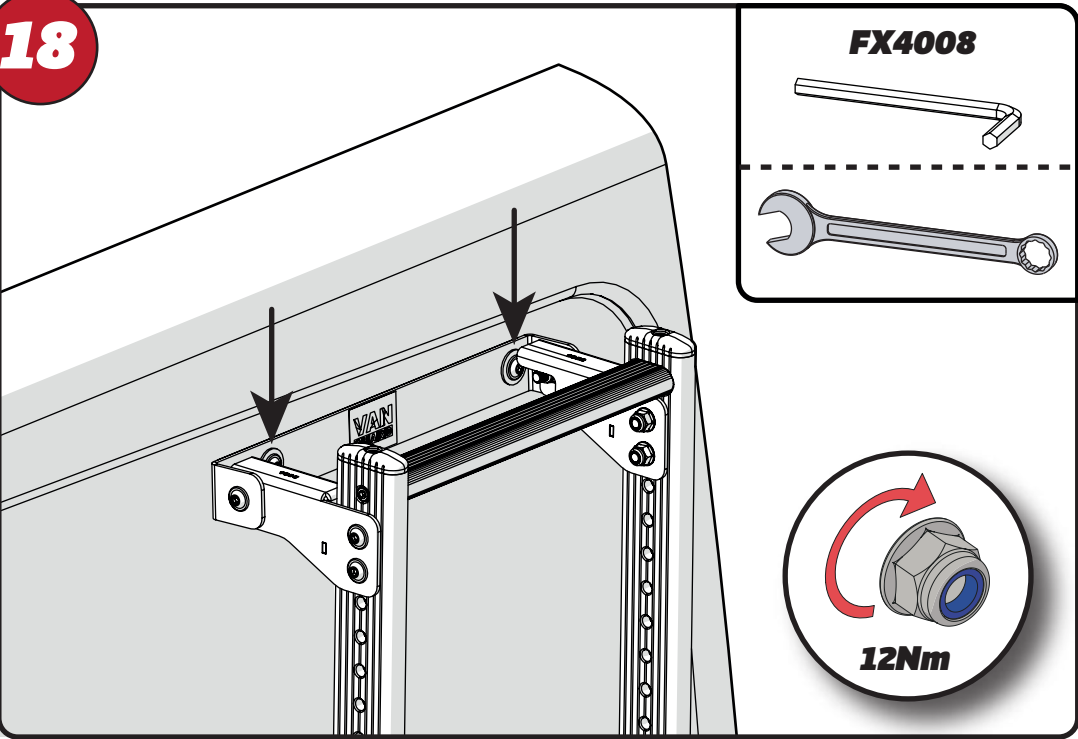
16



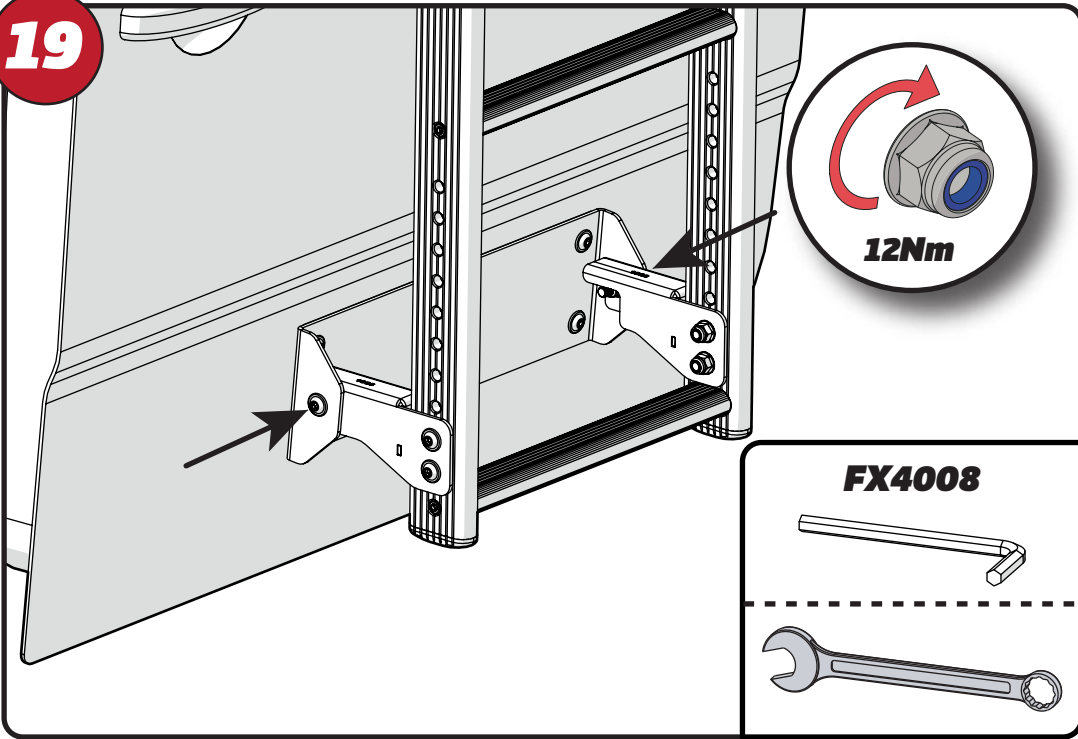
17



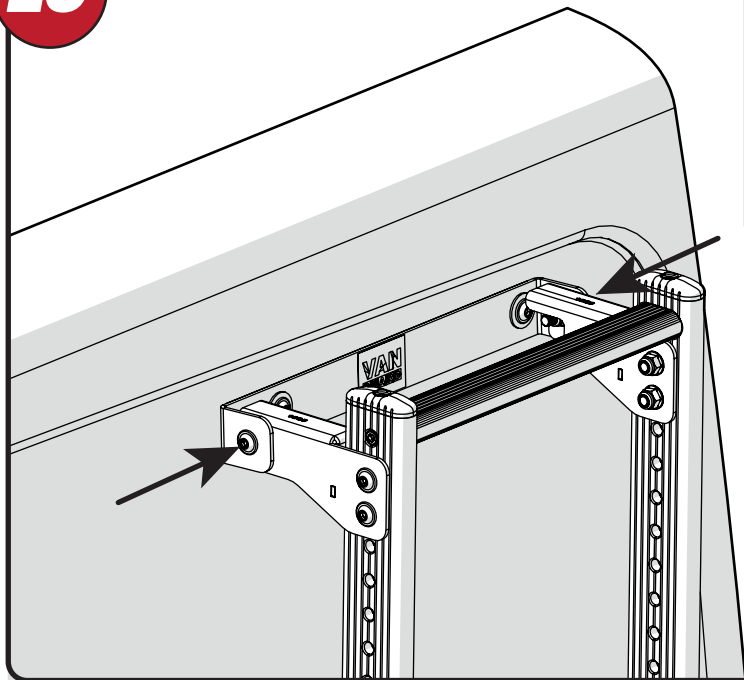
18



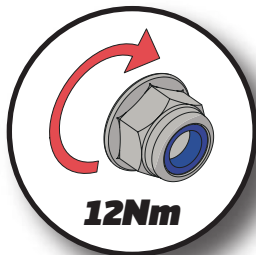
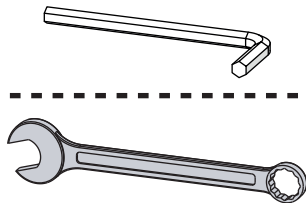
19



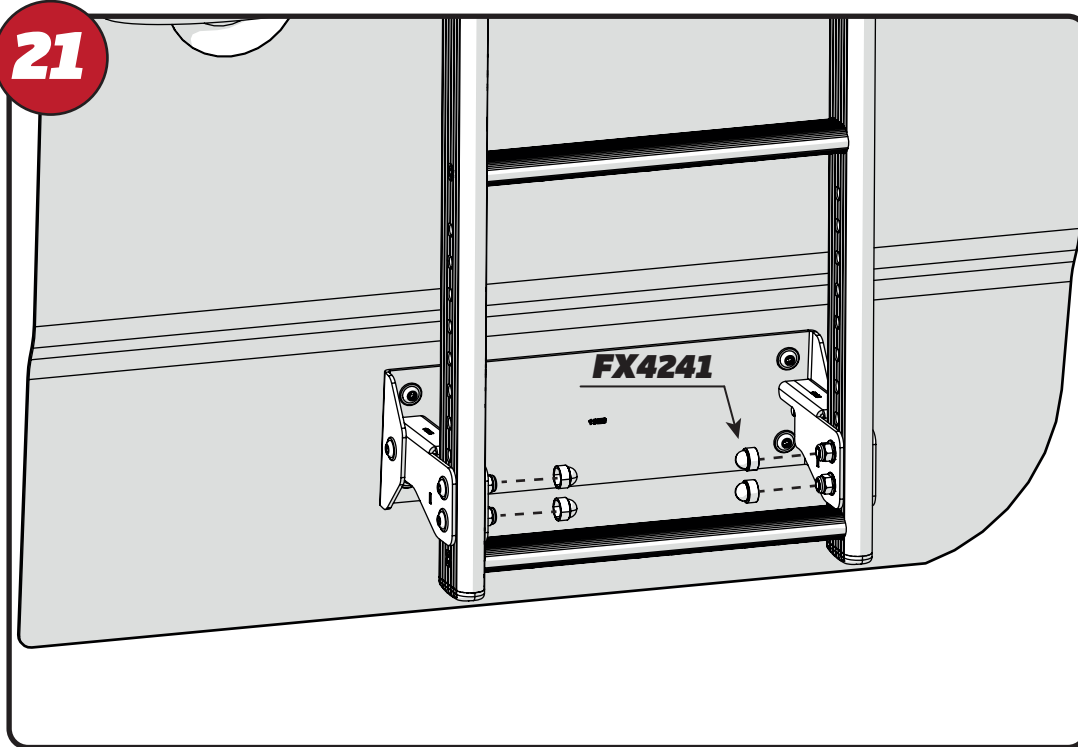
20



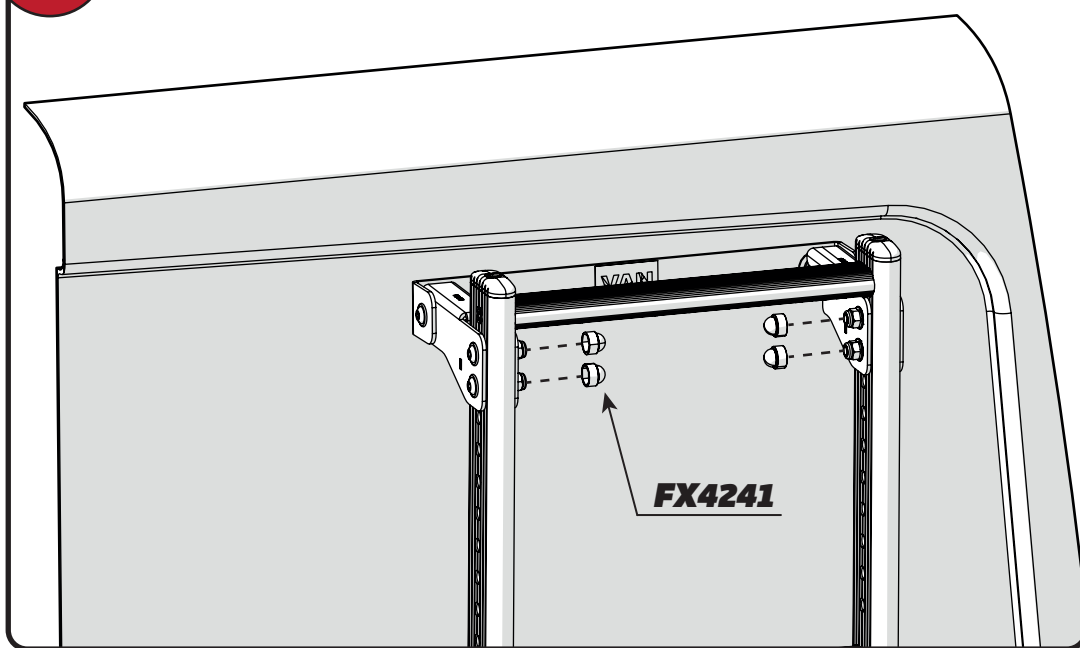
FX4008



21



22



23

