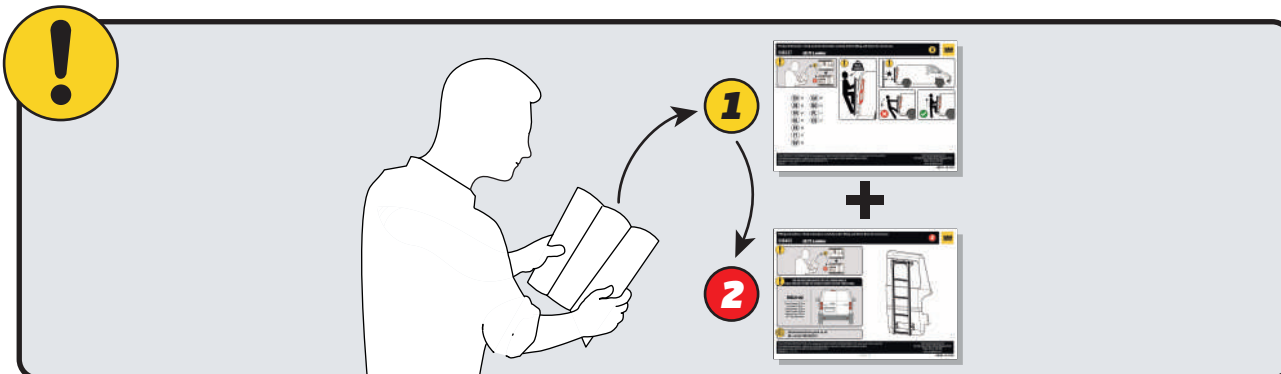


IN8415

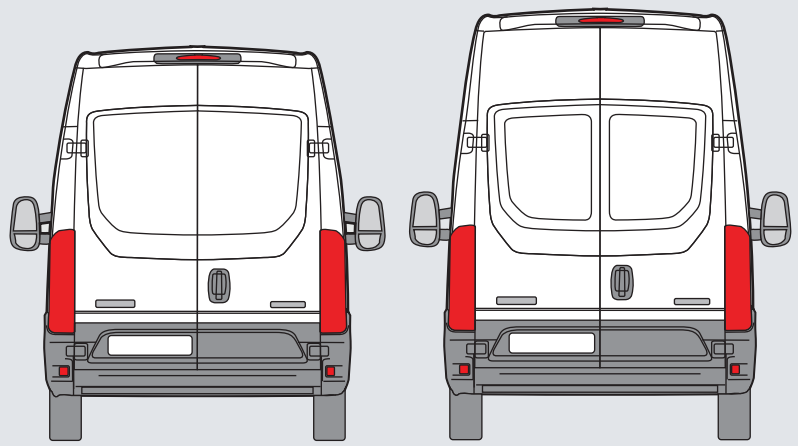
ULTI Ladder



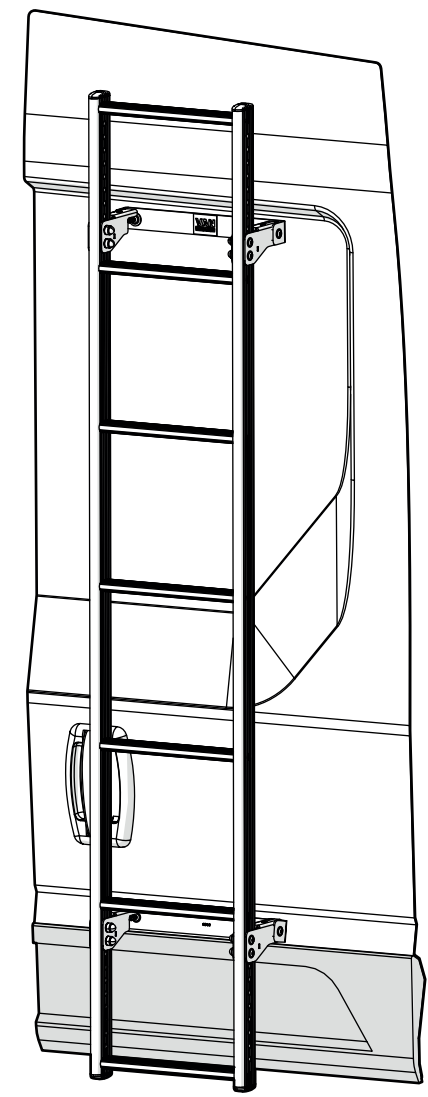
**THIS INSTRUCTION COVERS THE FOLLOWING MODELS
CHECK YOU ARE FITTING THE CORRECT MODEL BEFORE PROCEEDING**

VGL7-04

Iveco Daily: 2014 on
H2 / H3 - Twin Rear Doors



Customercare@van-guard.co.uk
UK +44 (0) 1392 368 351



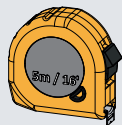
This FITTING INSTRUCTION is the property of VAN GUARD ACCESSORIES LTD. and must not be used for manufacturing purposes, copied nor communicated in any way to third parties without written permission from VAN GUARD ACCESSORIES LTD.
IN8415_A (CN:NR)

Van Guard Accessories Ltd
Fair Oak Close, Exeter Airport Business Park,
Exeter, Devon, EX5 2UL
www.van-guard.co.uk

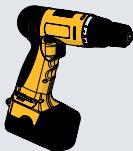
SUPPLIED COMPONENTS - CHECK ALL PARTS ARE PRESENT AND CORRECT BEFORE PROCEEDING

TOOLS REQUIRED

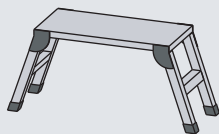
13MM X1



4MM X1



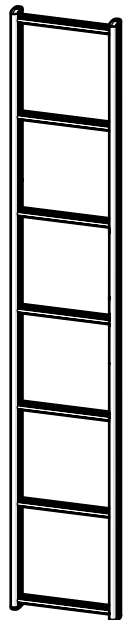
9MM X1



X1

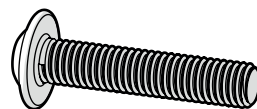


AS3594 X1



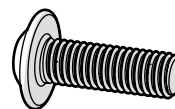
FX4249 X8

(M8X40)



FX4250 X10

(M8X25)



ME1944 X1

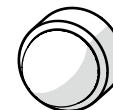


FX4240 X18

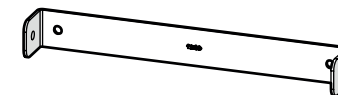
(M8)



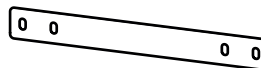
FX4241 X8



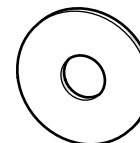
ME1950 X1



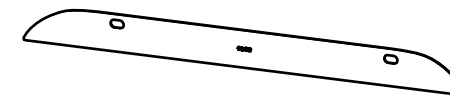
MA6200 X2



FX4252 X2



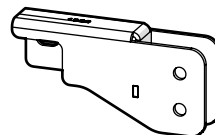
ME1932 X1



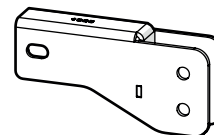
FX4008 X1



ME1906 X2



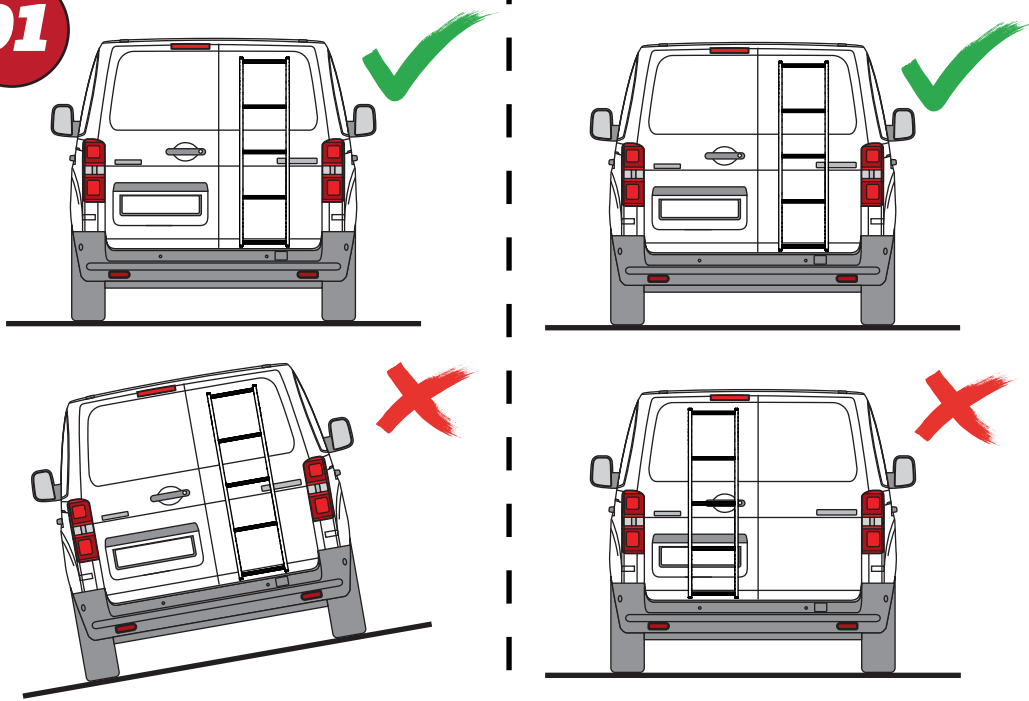
ME1905 X2



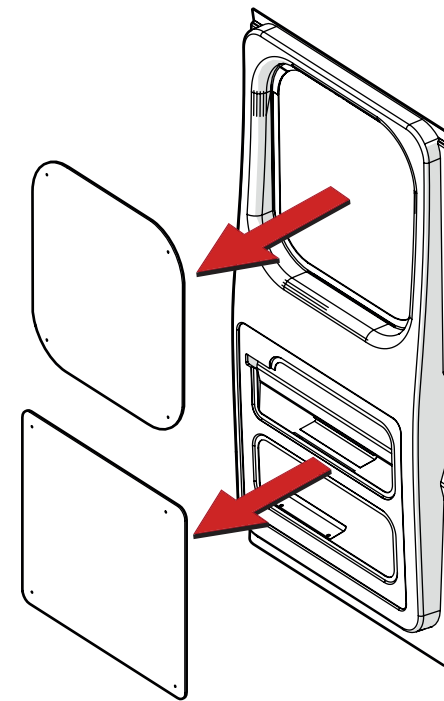
ME1901 X1



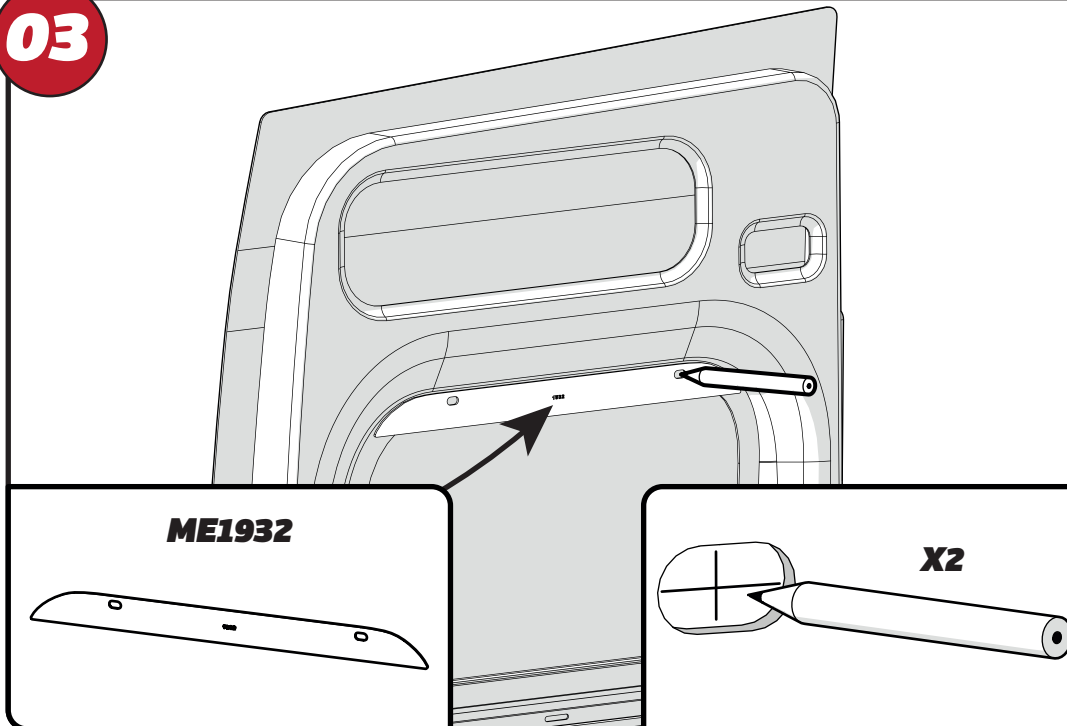
01



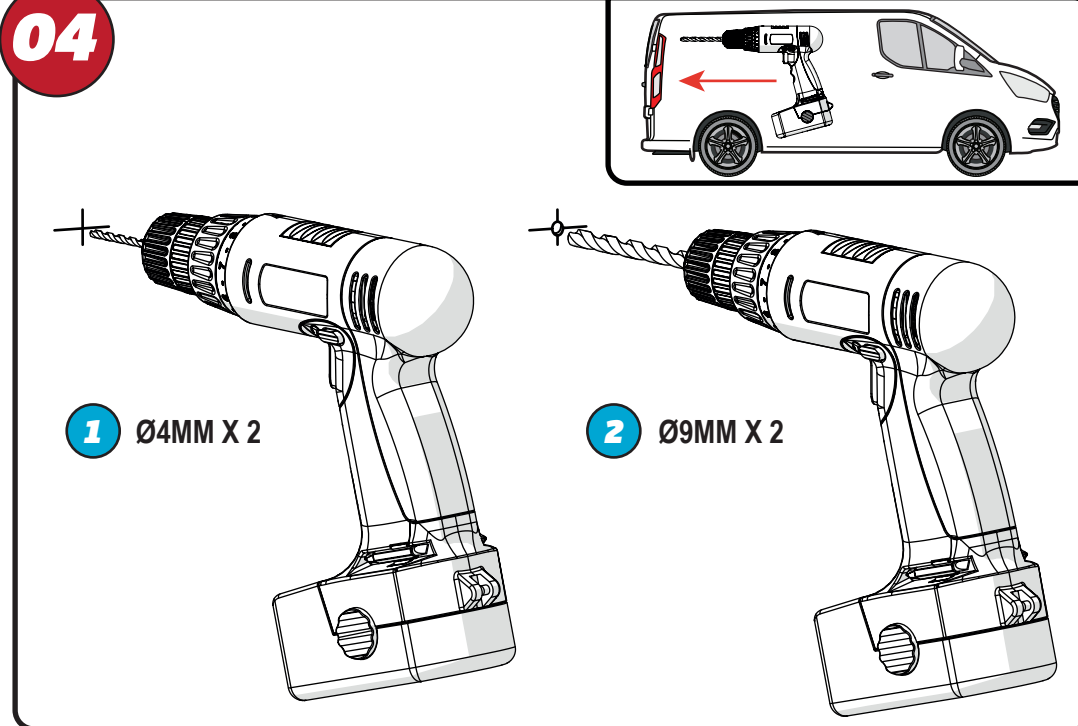
02



03



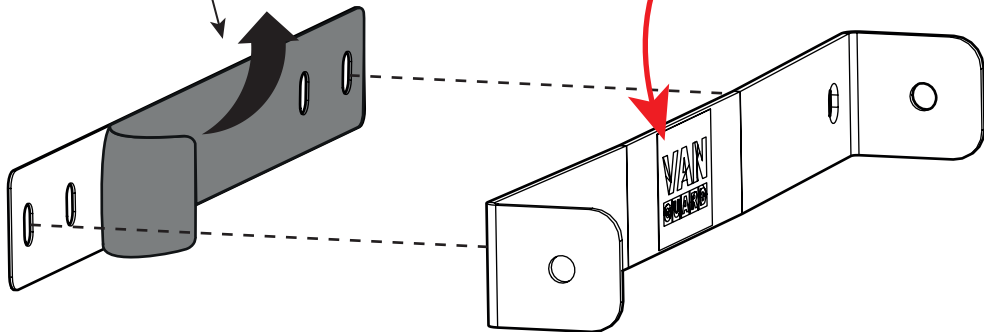
04



05

MA6200

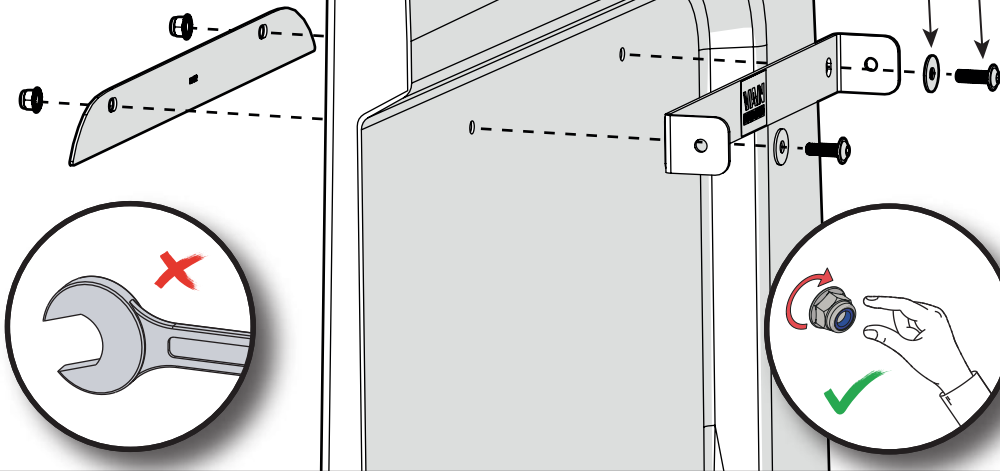
VAN
GUARD



06

FX4250

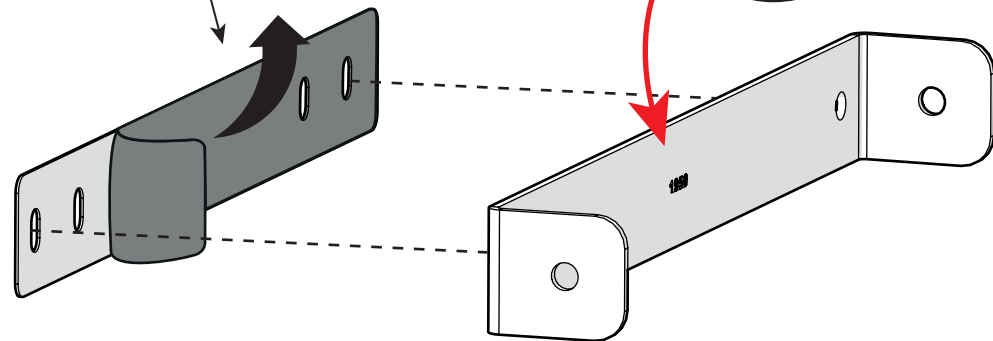
FX4252



07

MA6200

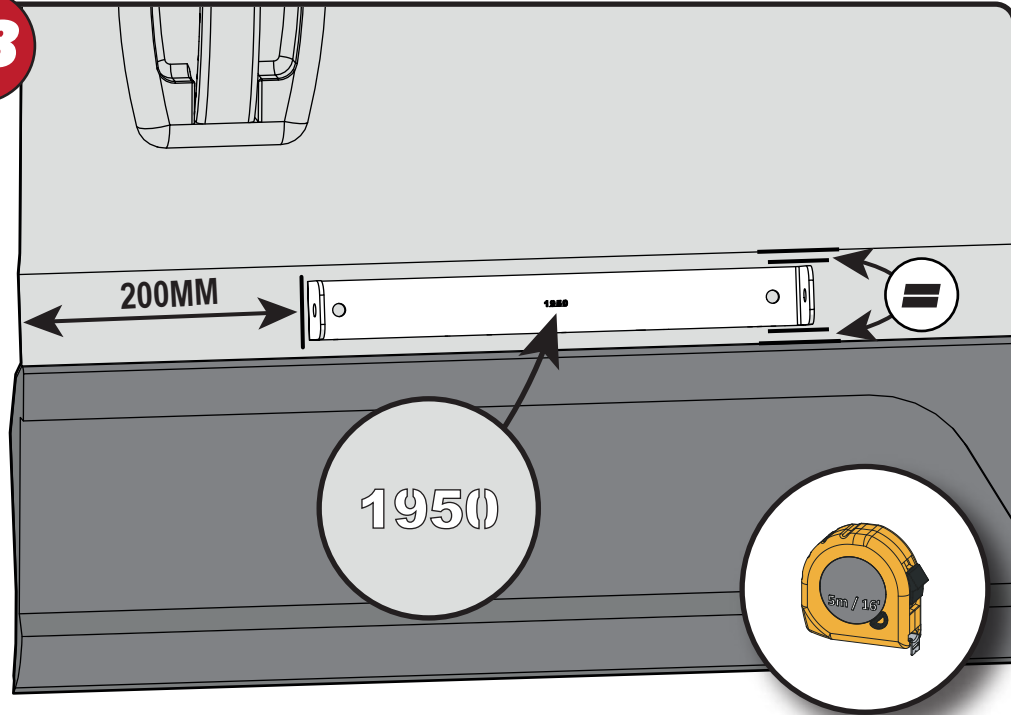
1950



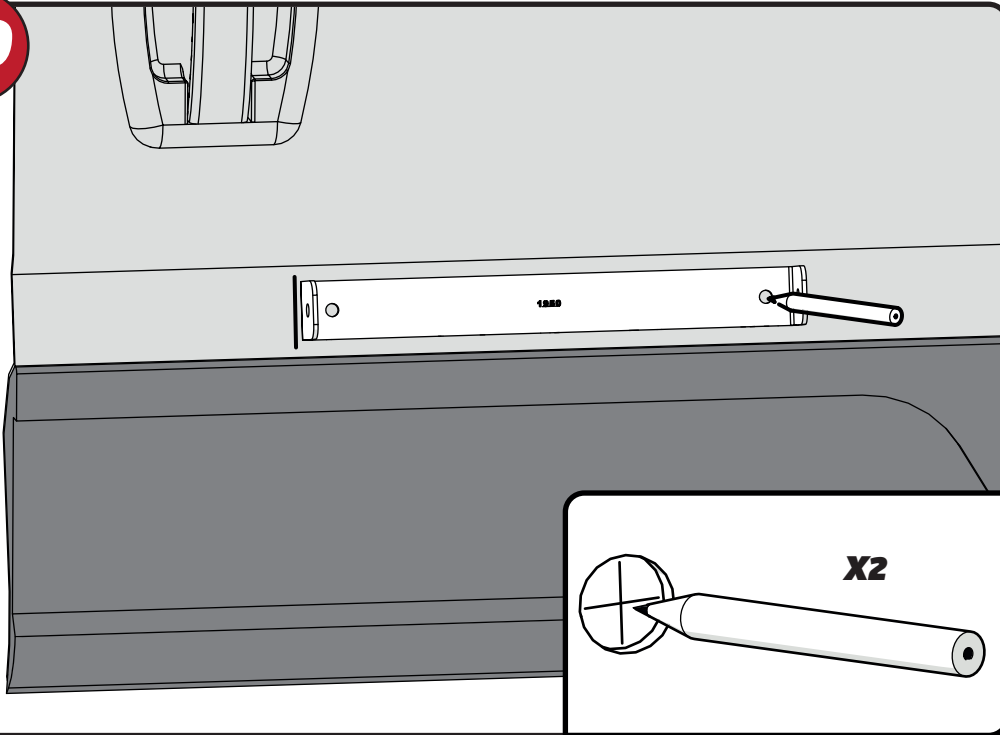
08

200MM

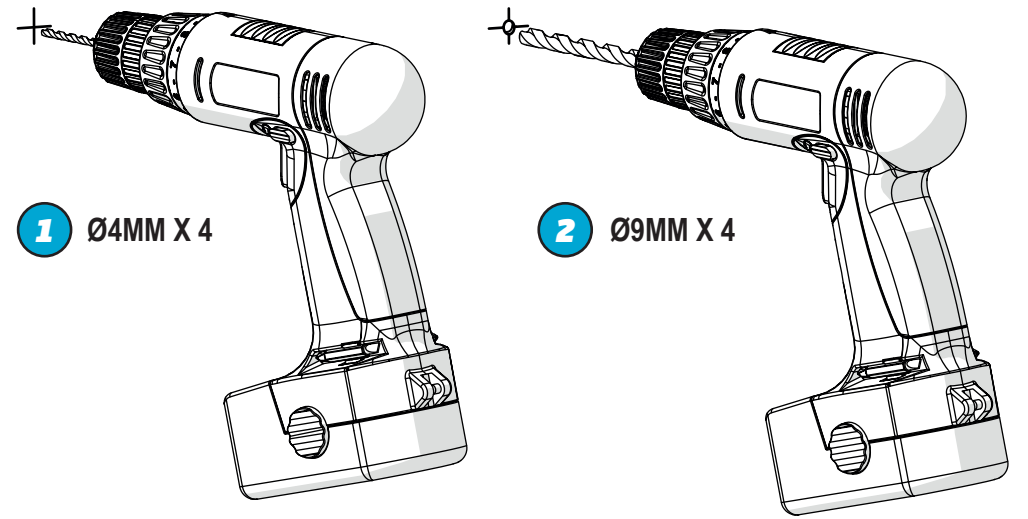
1950



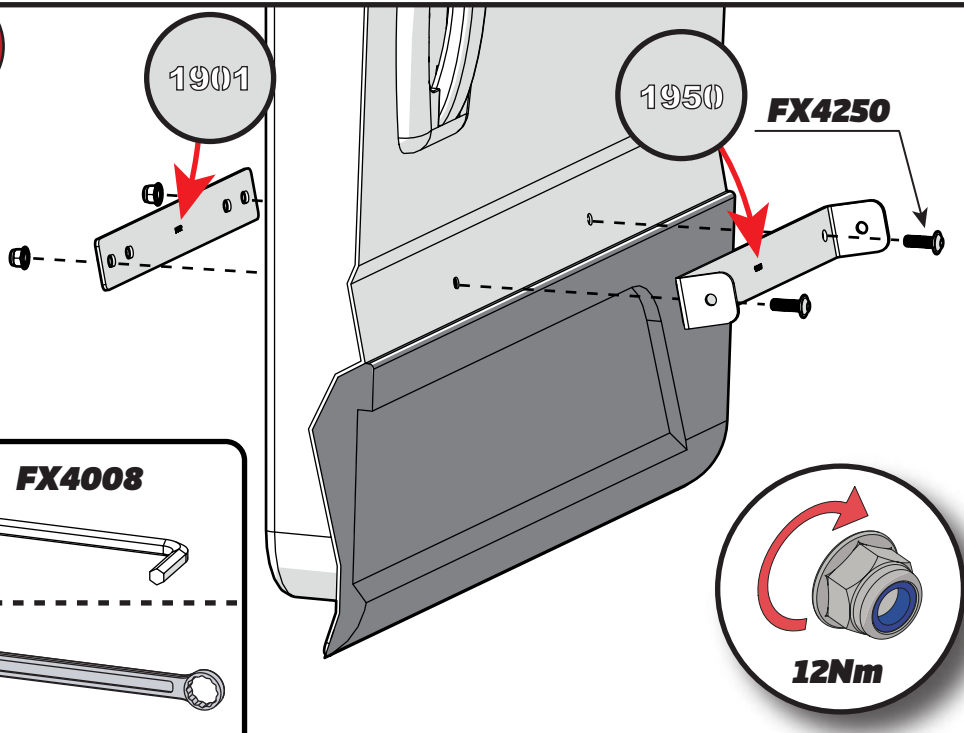
09



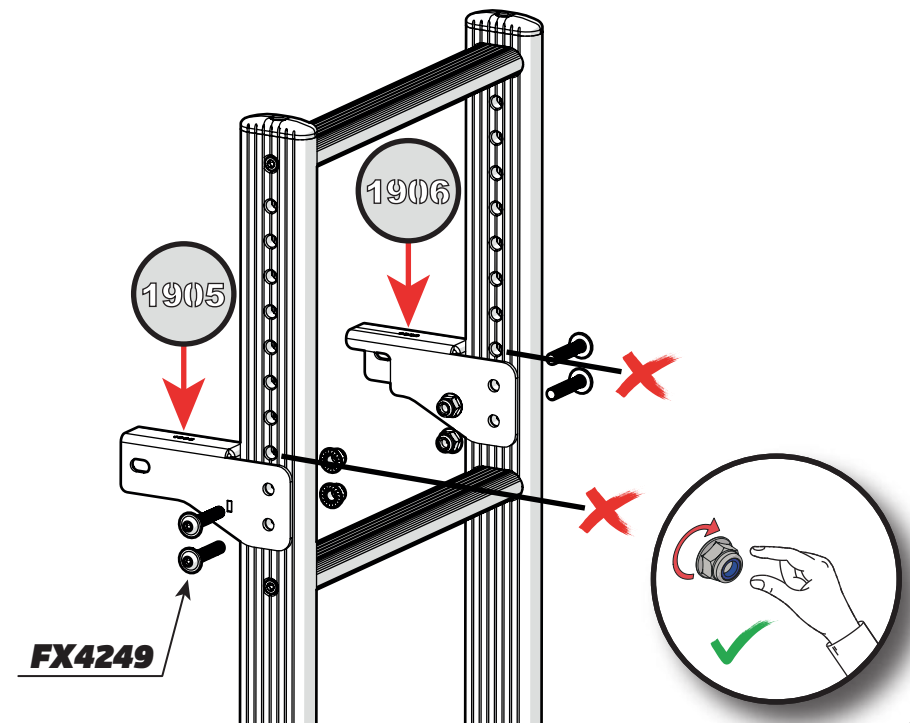
10



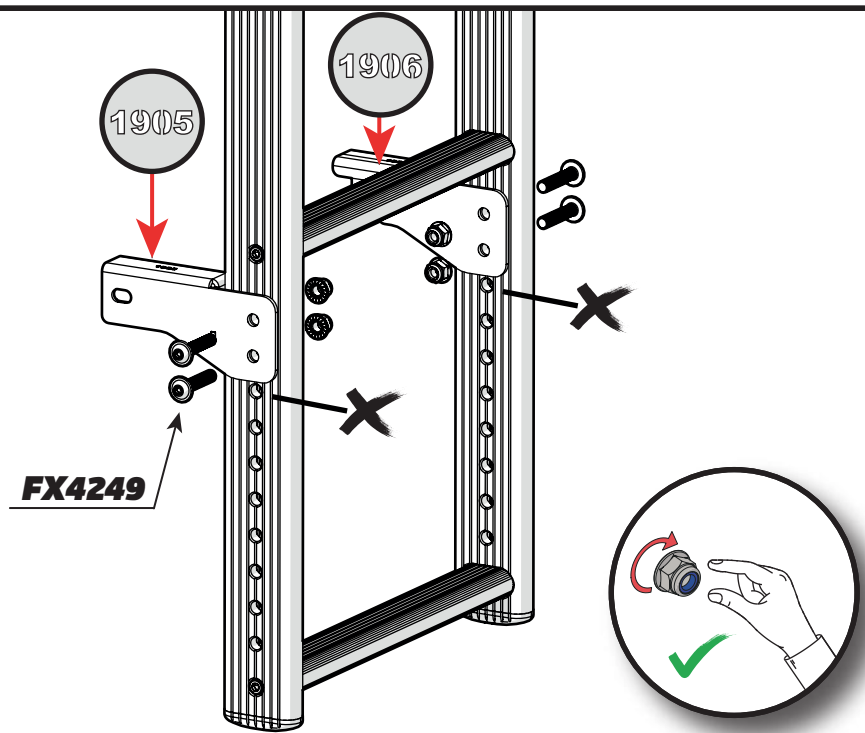
11



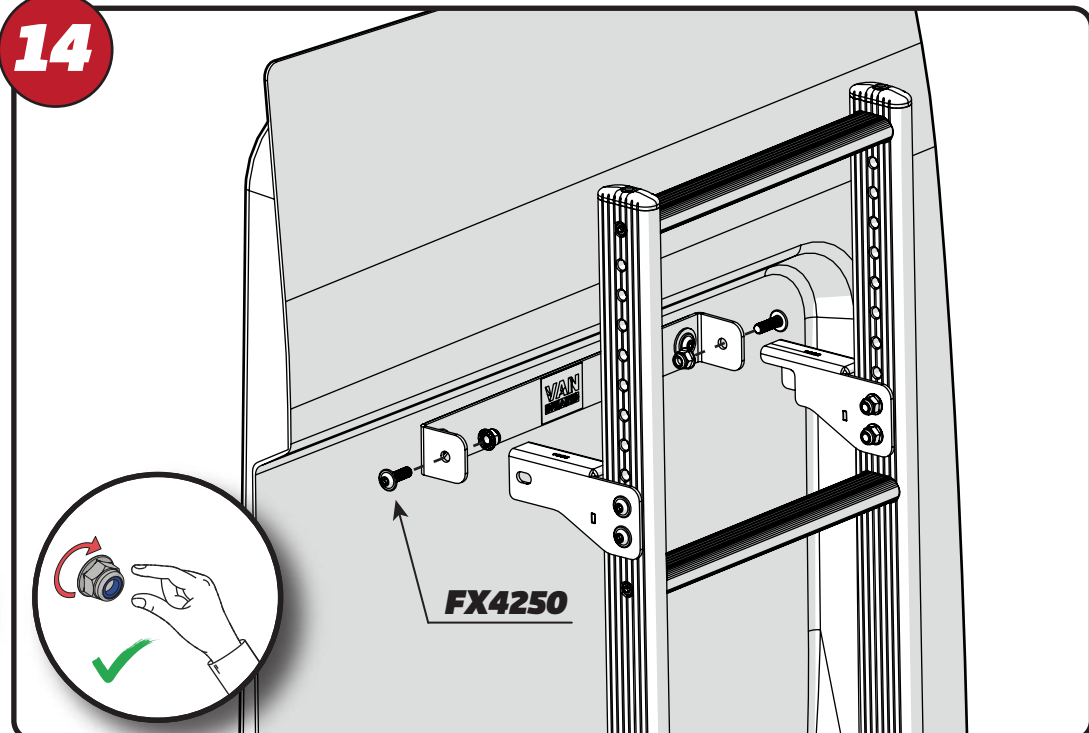
12



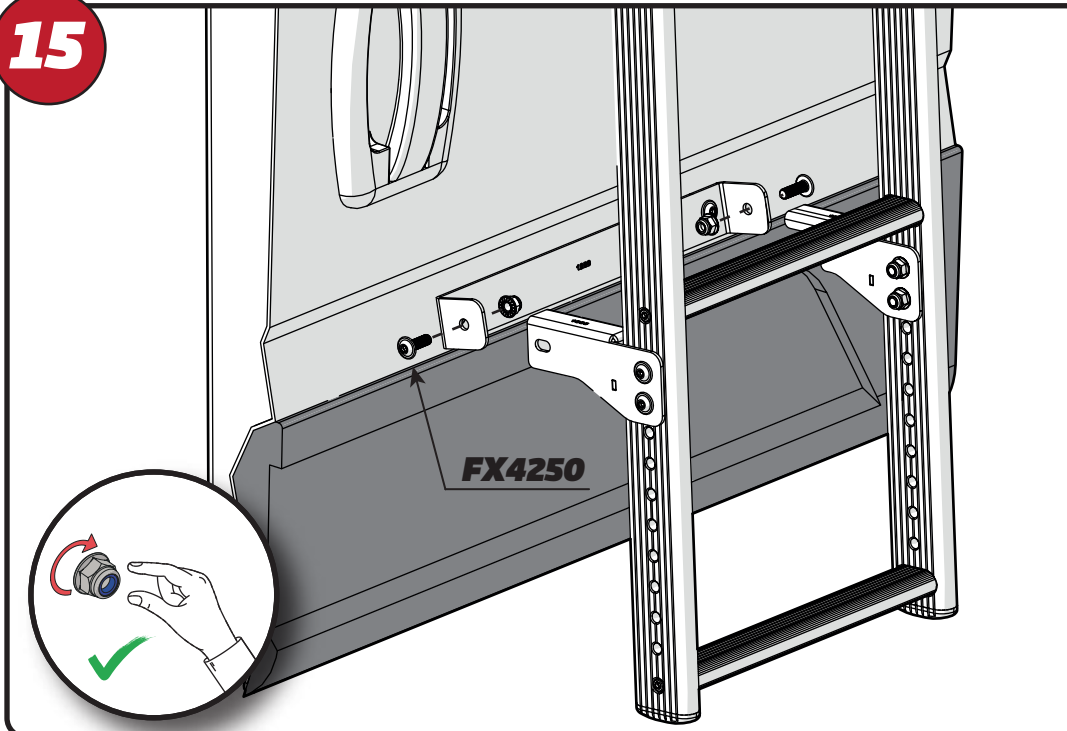
13



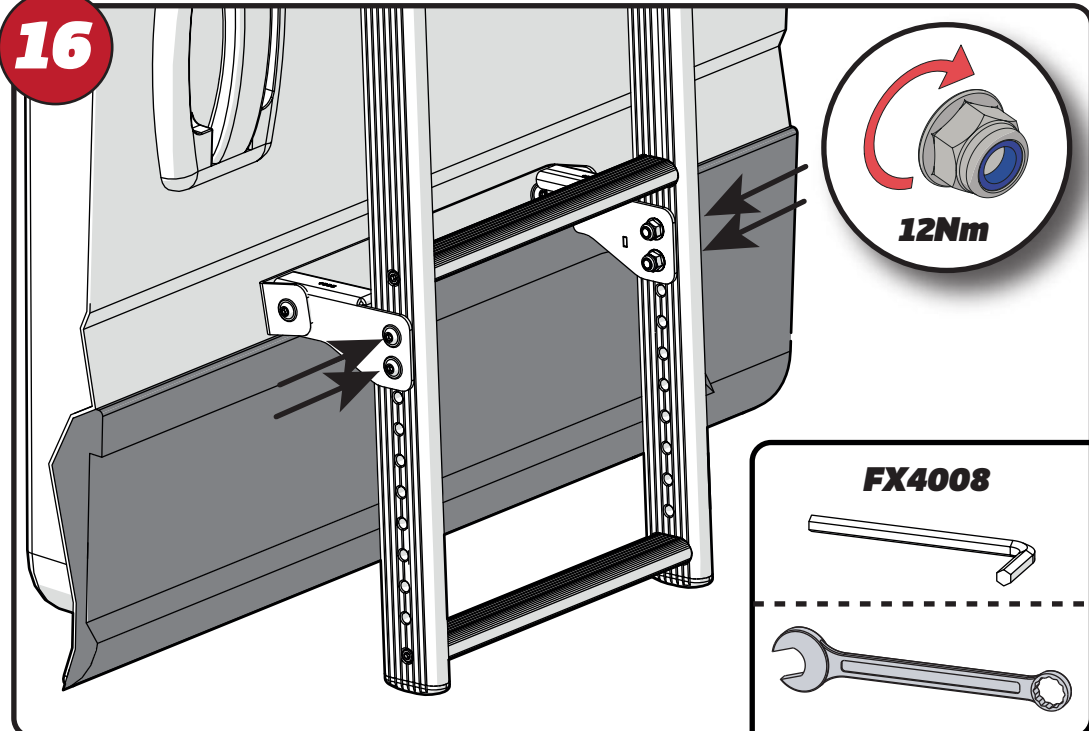
14



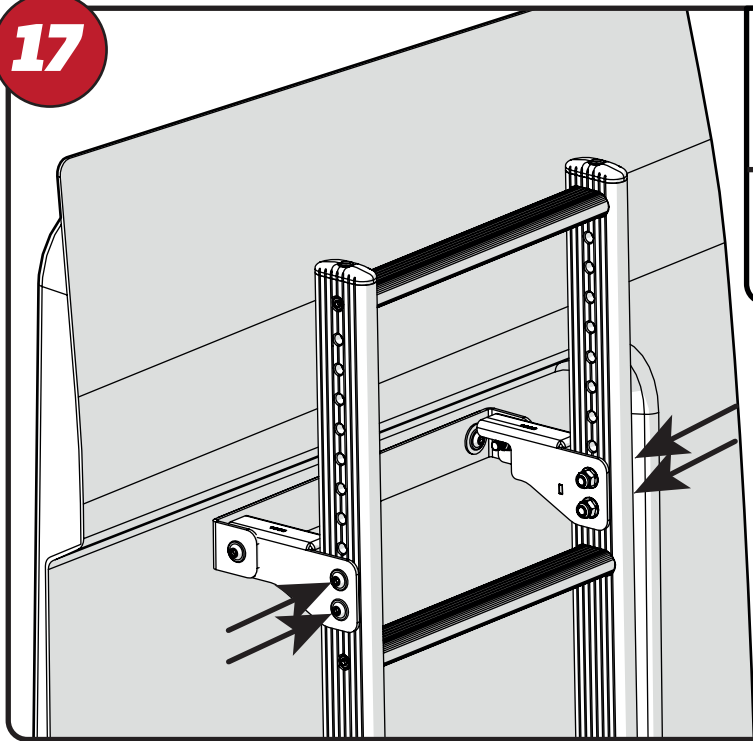
15



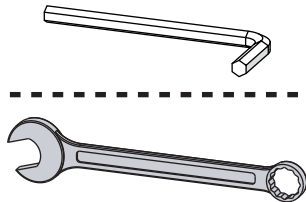
16



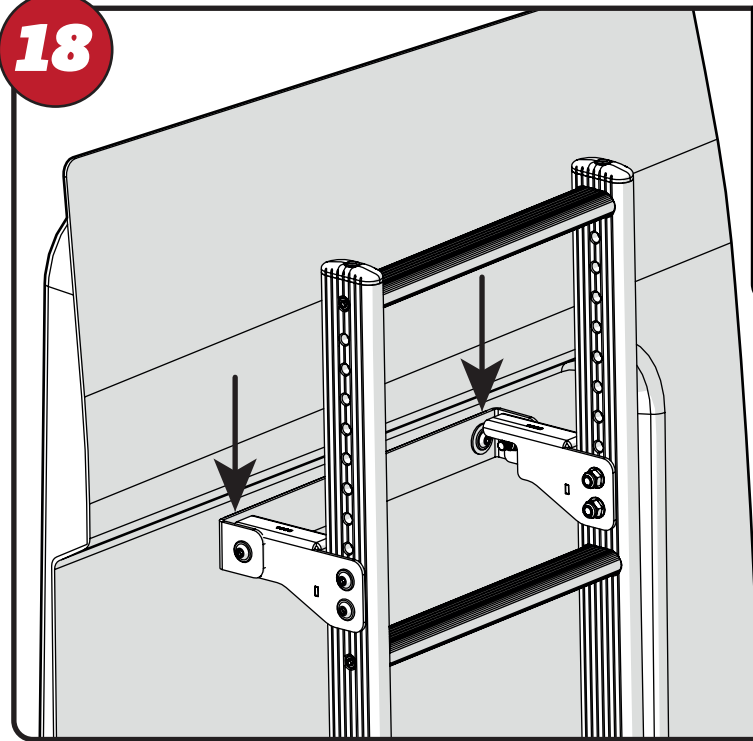
17



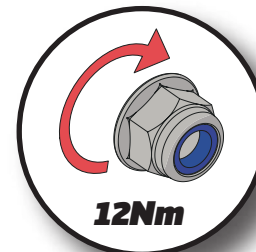
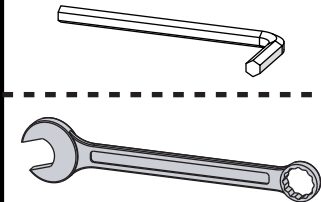
FX4008



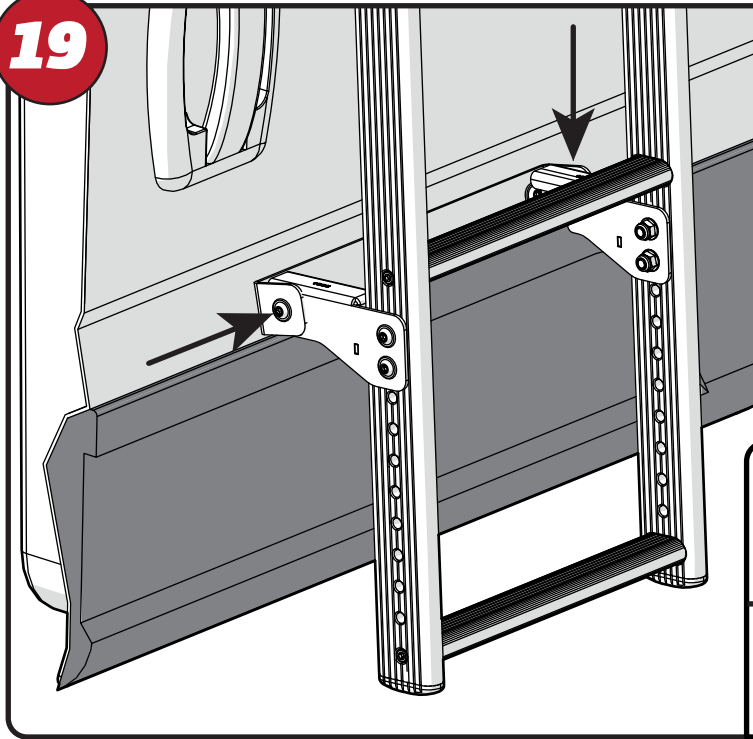
18



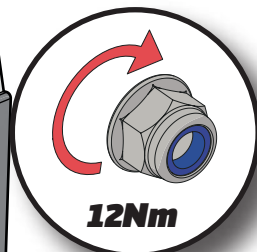
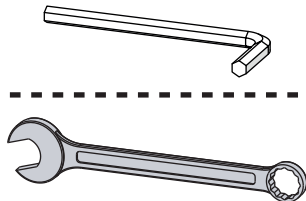
FX4008



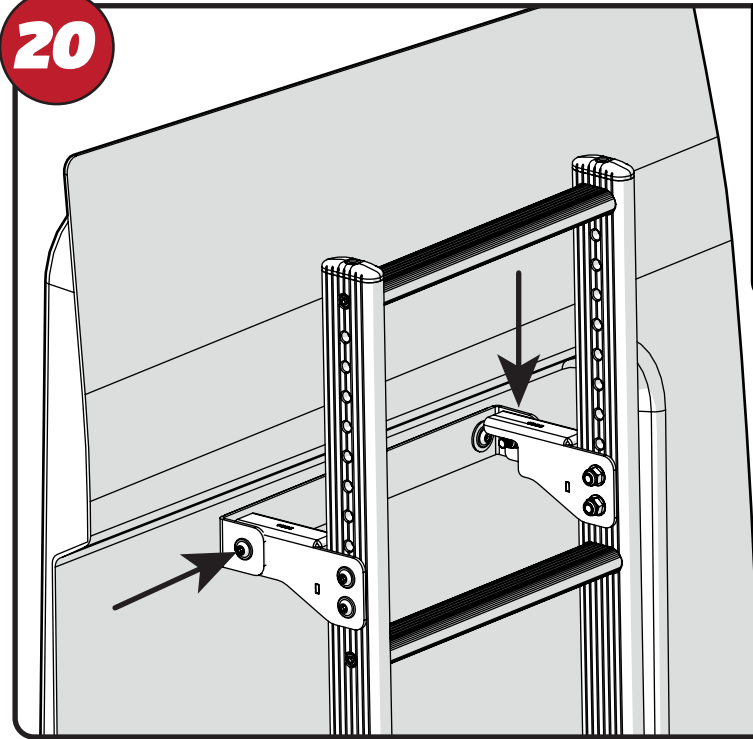
19



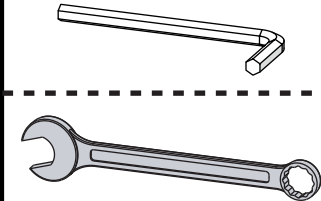
FX4008



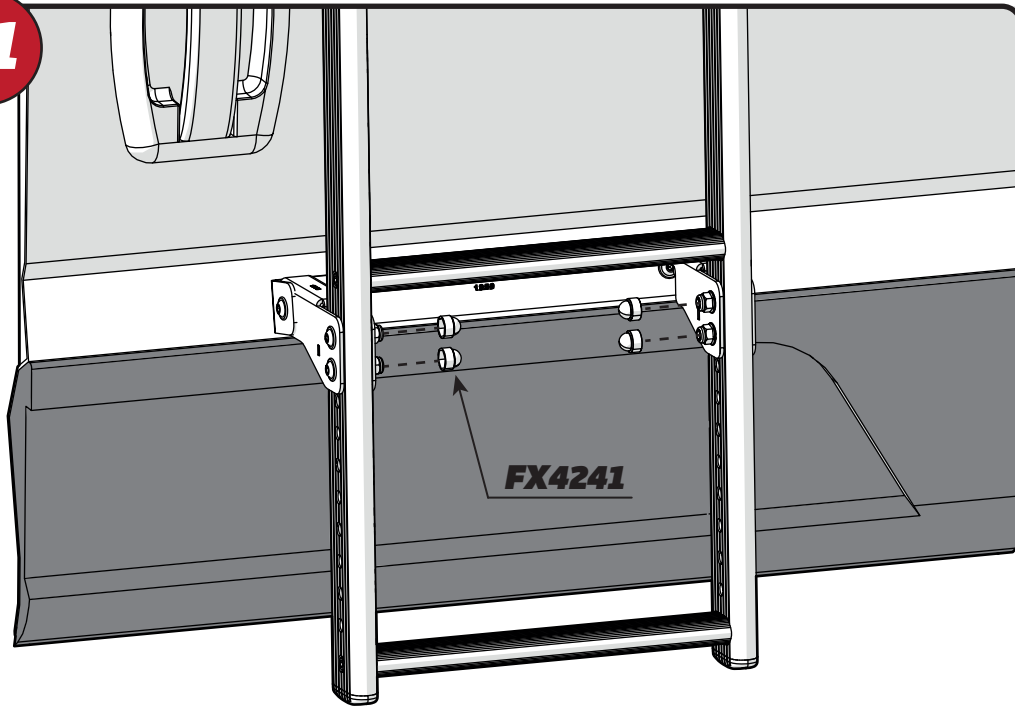
20



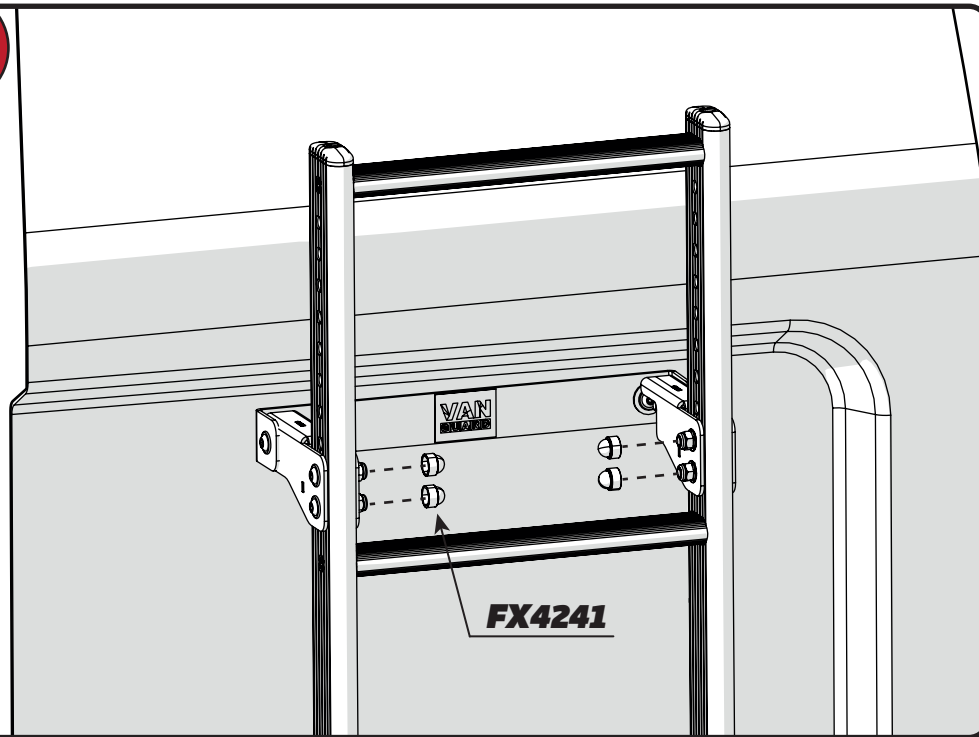
FX4008



21



22



23

