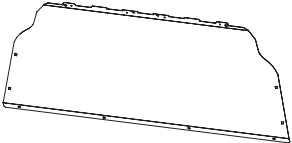
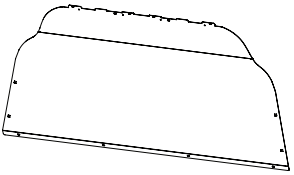
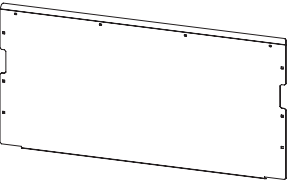
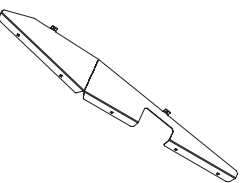
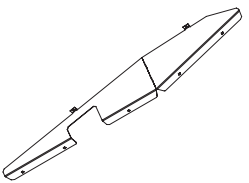
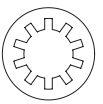
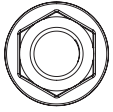
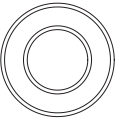
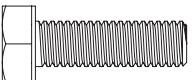
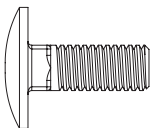
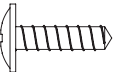


**IN8163**

**Bulkhead - VG202/SWB/S / VG202/LWB/S**

<p><b>ME0372 X1*</b> (TOP) (*SWB / L1 ONLY)</p> 	<p><b>ME0373 X1*</b> (TOP) (*LWB / L2 ONLY)</p> 	<p><b>ME0369 X1</b> (BOTTOM)</p> 	<p><b>ME0375 X1</b> (SIDE - RIGHT)</p> 	<p><b>ME0376 X1</b> (SIDE - LEFT)</p> 	<p><b>FX4010 X4</b> (M6)</p> 	<p><b>FX4016 X14</b> (M6)</p> 
<p><b>FX4020 X14</b> (M8)</p> 	<p><b>FX4026 X4</b> (M6X20)</p> 	<p><b>FX4042 X14</b> (M6X16)</p> 	<p><b>FX4090 X12</b> (No8 x 1/2")</p> 			

**CAUTION - IMPORTANT NOTES**

1. You should note that it is the responsibility of the installer/s to ensure that when drilling holes in to your vehicle to take fixings, care must be taken to ensure that the fuel line, tyres, fuel tank, wiring loom, exhaust, bodywork and brake lines etc. are not damaged. Whilst every effort has been made to ensure our products can be safely fitted, changes to vehicles sometimes occur so it's always necessary to check before drilling.

**If in doubt refer to the vehicle manufacturer's dealership.**

2. When drilling, use as short a drill bit as possible to prevent damage to the vehicle. Use corrosion protection when drilling the vehicle.

3. Wear the appropriate protective equipment (safety glasses & gloves) while fitting this product.

4. Regularly inspect all fixings and parts. Any damaged or worn parts should be immediately removed the vehicle and replaced.

5. Retain instructions for future use. It is important that the end user receives this document.

**TOOLS REQUIRED**

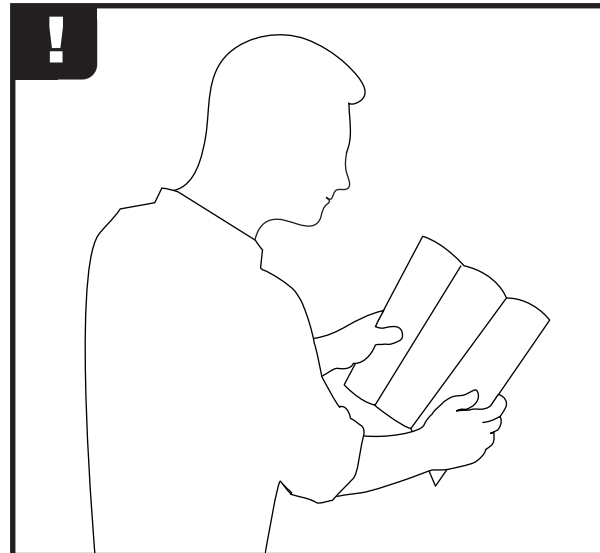
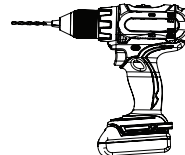
SPANNER (10MM) X1



PH SCREW DRIVER X1



DRILL (Ø3.2MM) X1



This FITTING INSTRUCTION is the property of VAN GUARD ACCESSORIES LTD. and must not be used for manufacturing purposes, copied nor communicated in any way to third parties without written permission from VAN GUARD ACCESSORIES LTD.

IN8163\_B

Van Guard Accessories Ltd  
Fair Oak Close, Exeter Airport Business Park,  
Exeter, Devon, EX5 2UL  
www.van-guard.co.uk

## INSTRUCTIONS

1. Please read the important notes on page 1 before fitting this product.
  2. Remove the vehicles existing frame.
  3. Place the bottom section of the bulkhead into place with the bottom return towards the cab area.
  4. Secure the bottom return in place by bolting into the vehicles existing inserts (offside) using 2X M6x20 hex bolts (FX4026) and M6 shakeproof washers (FX4010). If these inserts are not present see the note at the bottom.
  5. Carefully drill through two holes 3.2mm on the nearside of the bottom sections return and secure in place using 2X No8x1/2" self-tap screws (FX4090).
  6. Secure the top in place by bolting into the vehicles existing inserts (offside) using M6x20 hex bolts (FX4026) and M6 shakeproof washers (FX4010). If these inserts are not present see the note at the bottom.
  7. Secure the top and bottom sections together using 4X M6x16 coach bolts (FX4042), M8 washers (FX4020) and M6 flange nuts (FX4016).
  8. Carefully drill through two holes 3.2mm on the nearside of the top section and secure in place using 2X No8x1/2" self-tap screws (FX4090).
  9. Secure the side cheeks to the bulkhead using 5X (each side) M6x16 coach bolts (FX4042), M8 washers (FX4020) and M6 flange nuts (FX4016).
  10. Carefully drill two holes 3.2mm through the side tabs and secure to the door pillars using No8x1/2" self-tap screws (X2 fixings per side).
- Note** - If the inserts are not present carefully drill 3.2mm and secure in place using No8x1/2" self-tap screws (FX4090).

## EXAMPLE IMAGE - SHOWS THE LWB VERSION

