

**IN8171**

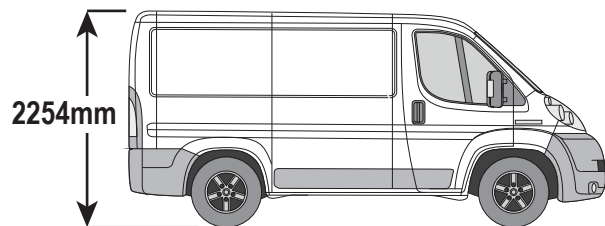
**Bulkhead - VG244S**



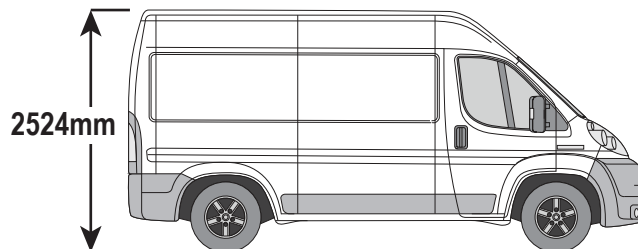
**THIS INSTRUCTION IS FOR H1 MODELS ONLY**  
**PLEASE SEE INSTRUCTION IN8234 IF FITTING TO A H2 / H3 MODEL**



**H1 / LOW ROOF**  
(MODELS WITHOUT A PARCEL SHELF)

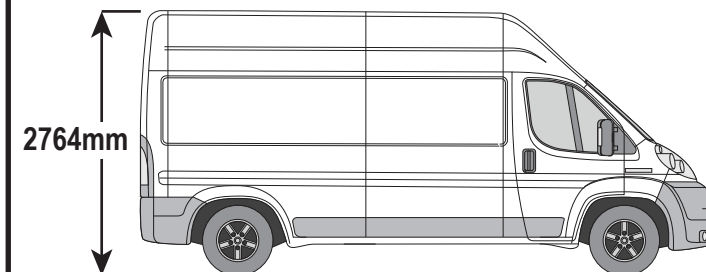


**H2 / HIGH ROOF**  
(MODELS WITH A PARCEL SHELF)



**(SEE IN8234)**

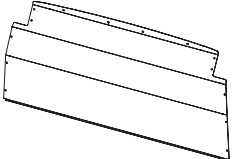
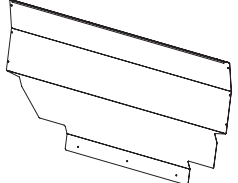
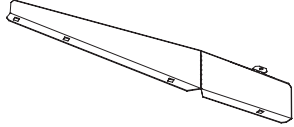
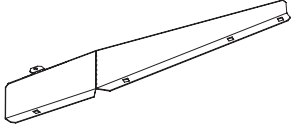
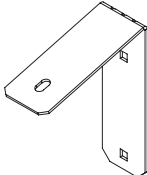
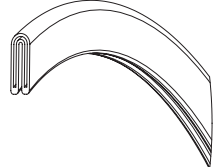

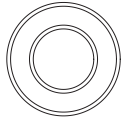
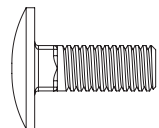
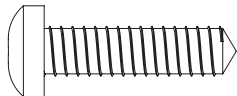
**H3 / EXTRA HIGH ROOF**  
(MODELS WITH A PARCEL SHELF)



**(SEE IN8234)**

# IN8171


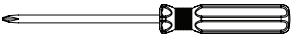
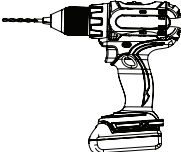
## Bulkhead - VG244S

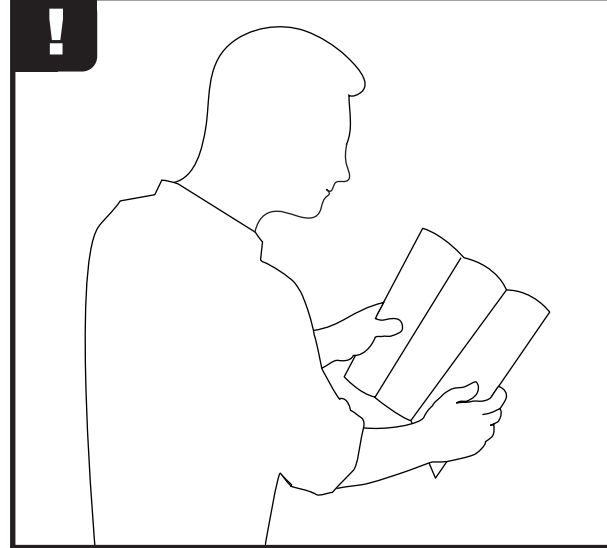
<p><b>ME0384 X1</b> (TOP)</p> 	<p><b>ME0385 X1</b> (BOTTOM)</p> 	<p><b>ME0386 X1</b> (SIDE - RIGHT)</p> 	<p><b>ME0387 X1</b> (SIDE - LEFT)</p> 	<p><b>ME0388 X2</b> (FIXING BRACKET)</p> 	<p><b>MA6030 X1</b> (RUBBER EDGING 1440MM)</p> 	<p><b>FX4016 X18</b> (M6)</p> 
<p><b>FX4020 X18</b> (M8)</p> 	<p><b>FX4042 X18</b> (M6X16)</p> 	<p><b>FX4085 X9</b> (No14 x 1")</p> 	<p>NOTE: ADDITIONAL FIXINGS THAT ARE SUPPLIED (NOT SHOWN) ARE USED WHEN FITTING THE PRODUCT TO A H2 / H3 MODEL AND ARE NOT REQUIRED WHEN FITTING TO A H1 / LOW ROOF MODEL.</p>			

**CAUTION - IMPORTANT NOTES**

1. You should note that it is the responsibility of the installer/s to ensure that when drilling holes in to your vehicle to take fixings, care must be taken to ensure that the fuel line, tyres, fuel tank, wiring loom, exhaust, bodywork and brake lines etc. are not damaged. Whilst every effort has been made to ensure our products can be safely fitted, changes to vehicles sometimes occur so it's always necessary to check before drilling.  
**If in doubt refer to the vehicle manufacturer's dealership.**
2. When drilling, use as short a drill bit as possible to prevent damage to the vehicle. Use corrosion protection when drilling the vehicle.
3. Wear the appropriate protective equipment (safety glasses & gloves) while fitting this product.
4. Regularly inspect all fixings and parts. Any damaged or worn parts should be immediately removed the vehicle and replaced.
5. Retain instructions for future use. It is important that the end user receives this document.

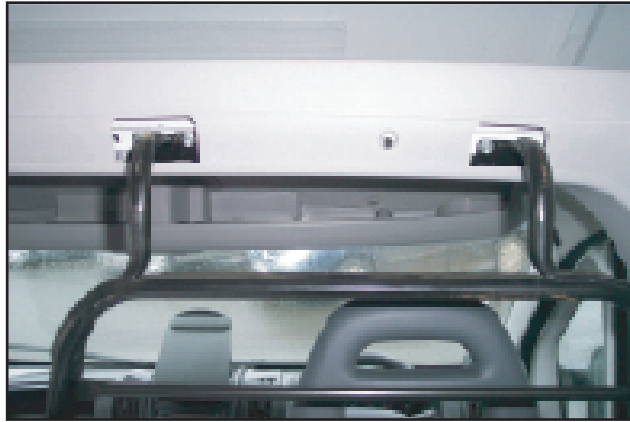
**TOOLS REQUIRED**

- SPANNER (10MM) X1  

- PH SCREW DRIVER X1  

- DRILL (Ø4.5MM) X1  


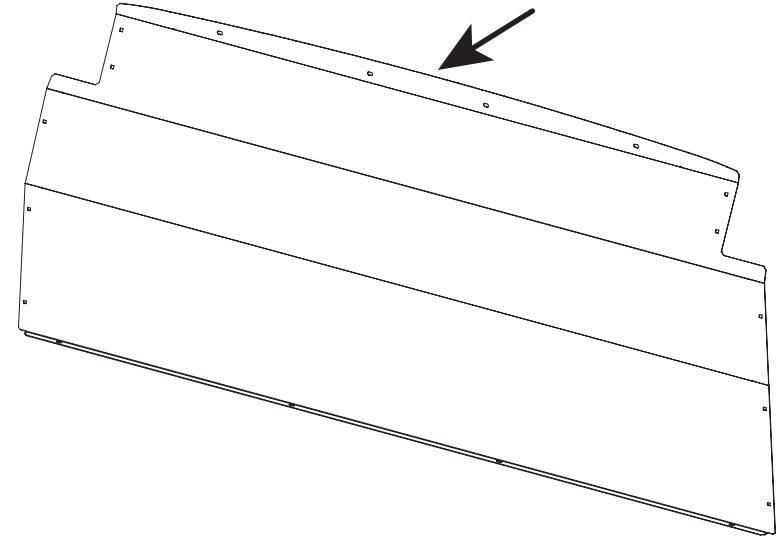


**1** Please read the important notes on page 2 before fitting this product. This instruction is for H1 models only (models without a parcel shelf), if fitting to a H2 / H3 model (models with a parcel shelf) please see instruction IN8234.

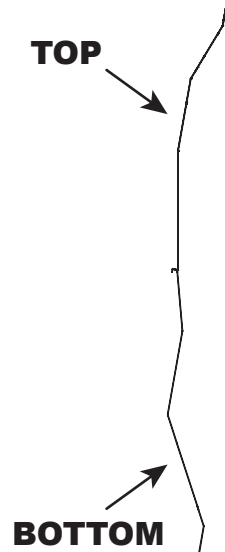
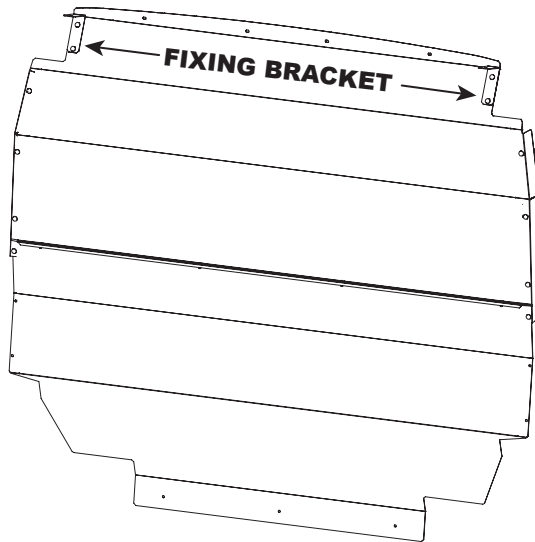
**Remove the vehicles existing drivers seat tubular frame.**



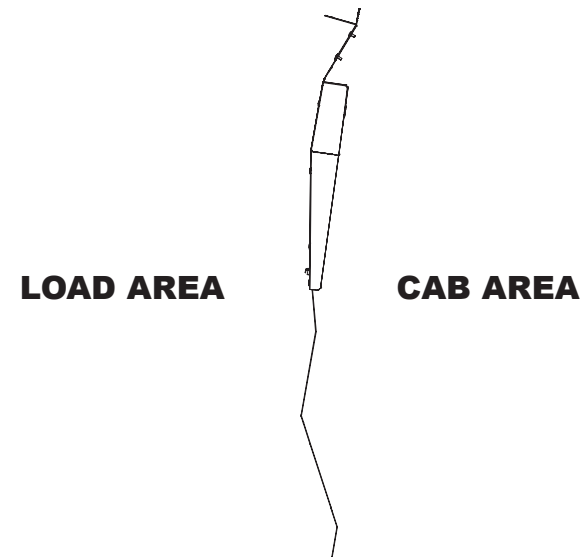
**2** Fit rubber edging (MA6030) to the top bulkheads top edge.



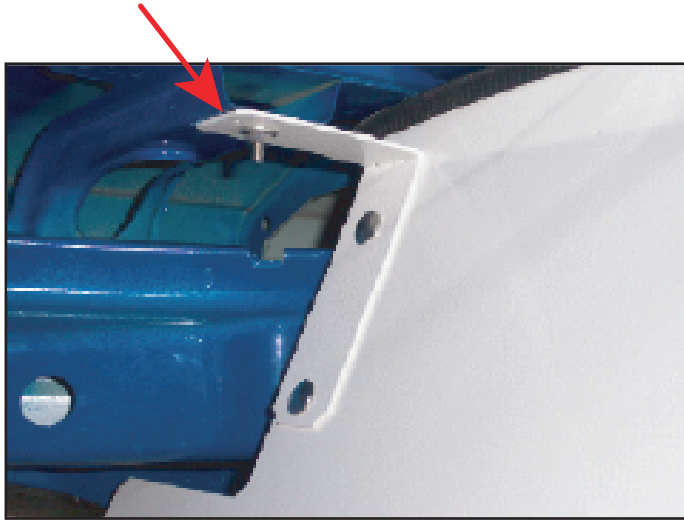
**3** Assemble the top, bottom, fixing brackets and sides together outside of the vehicle using M6x16 coach bolts (FX4042), M8 washers (FX4020) and M6 flange nuts (FX4016).



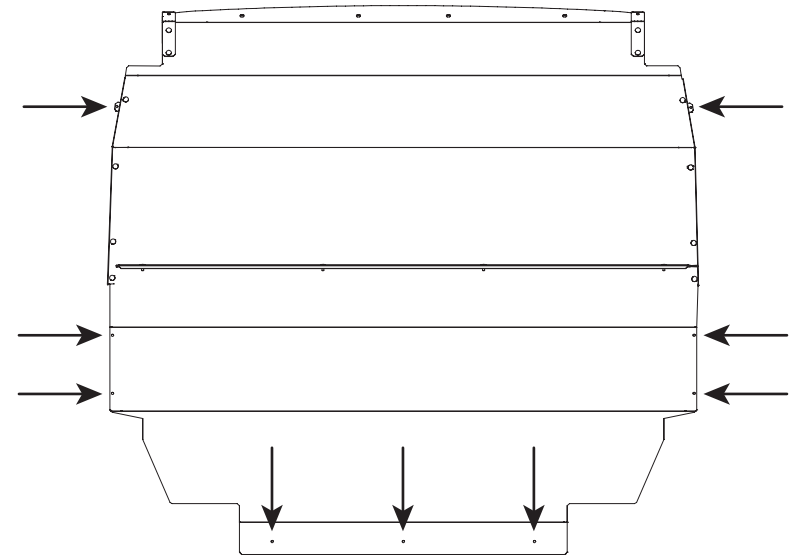
**4** Lift the complete bulkhead assembly (two man lift) into the vehicle and position as shown below.



**5** Secure the bulkhead to the vehicle as shown below by bolting to the fixing brackets using M6x16 coach bolts (FX4042), M8 washers (FX4020) and M6 flange nuts (FX4016).



**6** Carefully drill 4.5mm through the bulkhead holes (highlighted below), through the trim and into the vehicles 'B' pillars. Secure in place using No14x1" self-tap screws. 3 into each pillar and 3 into the bottom staging.



**EXAMPLE IMAGE**

