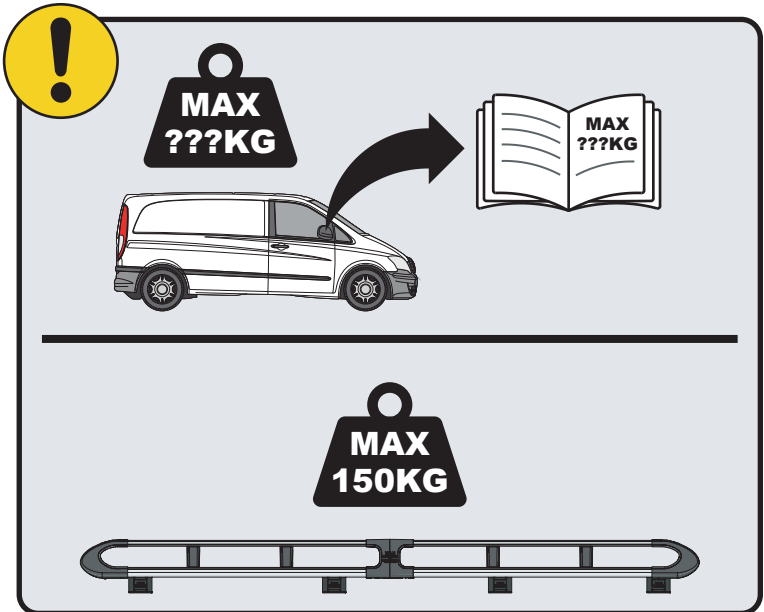
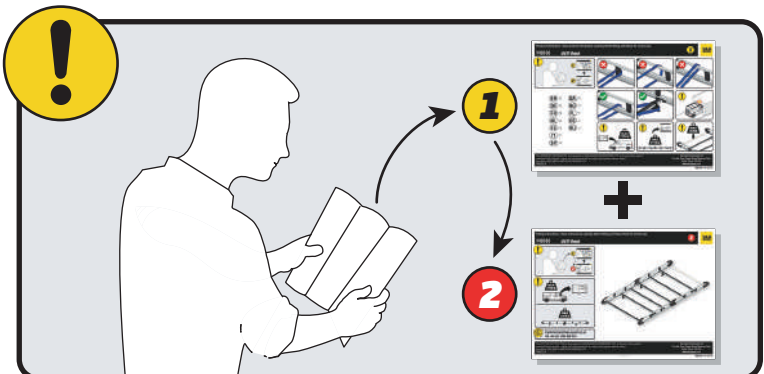


# IN8299

## ULTI Rack+



 [Customercare@van-guard.co.uk](mailto:Customercare@van-guard.co.uk)  
UK +44 (0) 1392 368 351



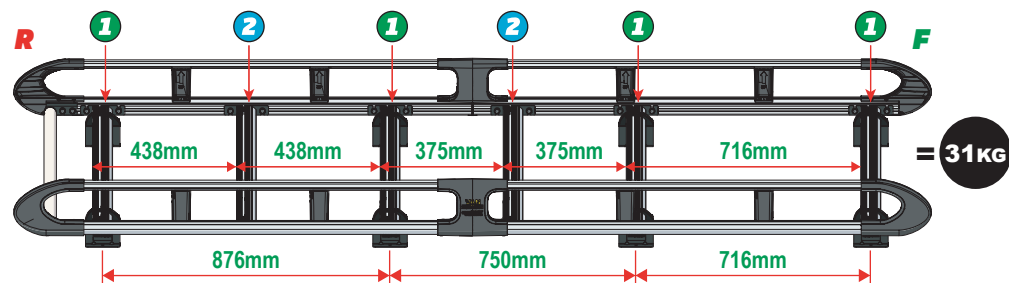
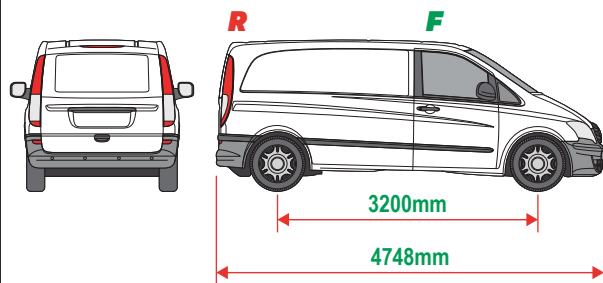
This FITTING INSTRUCTION is the property of VAN GUARD ACCESSORIES LTD. and must not be used for manufacturing purposes, copied nor communicated in any way to third parties without written permission from VAN GUARD ACCESSORIES LTD.  
IN8299\_B (CN:00356)

Van Guard Accessories Ltd  
Fair Oak Close, Exeter Airport Business Park,  
Exeter, Devon, EX5 2UL  
[www.van-guard.co.uk](http://www.van-guard.co.uk)

THIS INSTRUCTION COVERS THE FOLLOWING MODELS - CHECK YOU ARE FITTING THE CORRECT MODEL BEFORE PROCEEDING

# VGUR-228

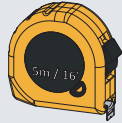
Mercedes Vito: 2003 on  
L1H1  
Tailgate



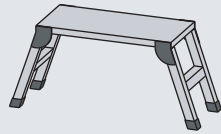
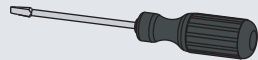
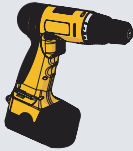
**SUPPLIED COMPONENTS - CHECK ALL PARTS ARE PRESENT AND CORRECT BEFORE PROCEEDING (1 OF 2)**

**TOOLS REQUIRED**

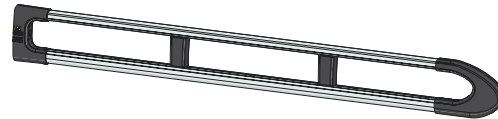
**10MM X2**



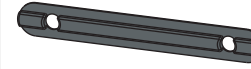
**13MM X1**



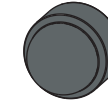
**AS3537 X2**  
(2600 / A)



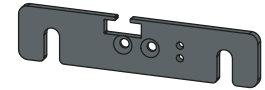
**MA6118 X12**



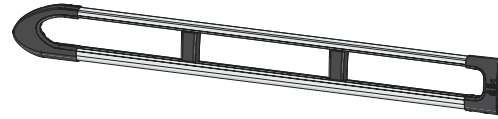
**FX4241 X28**



**ME1622 X2**



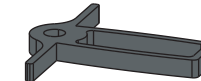
**AS3536 X2**  
(2600 / B)



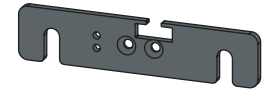
**FX4008 X1**



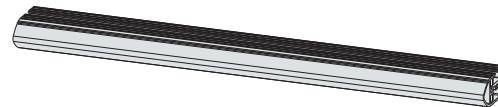
**MA6145 X1**



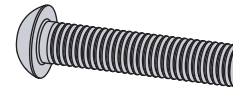
**ME1623 X2**



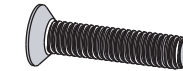
**ME1627 X6**  
(1354mm)



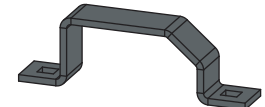
**FX4001 X2**  
(M8X40)



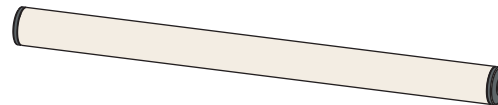
**FX4235 X24**  
(M5X25)



**ME0203 X8**



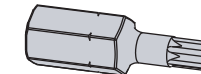
**AS3159 X1**  
(1340mm)



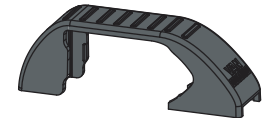
**MA6007 X4**



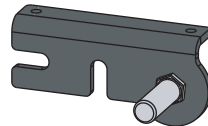
**FX4248 X1**  
(T25)



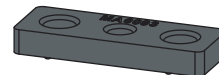
**MA6065 X8**



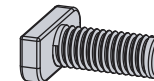
**AS3590 X1**



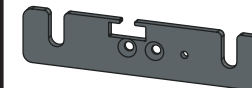
**MA6093 X12**



**FX4239 X28**  
(M8X20)



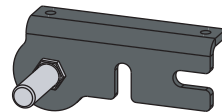
**ME1620 X4**



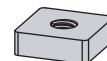
**FX4016 X32**  
(M6)



**AS3591 X1**



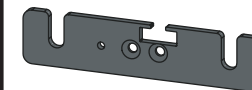
**ME0316 X12**



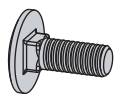
**FX4240 X28**  
(M8)



**ME1621 X4**

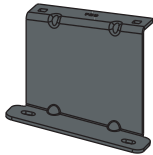


**FX4042 X16**  
(M6X16)



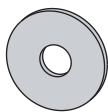
SUPPLIED COMPONENTS - CHECK ALL PARTS ARE PRESENT AND CORRECT BEFORE PROCEEDING (2 OF 2)

ME0729 X1

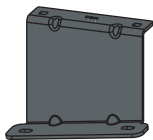


FX4013 X24

(M6)



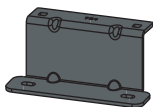
ME0730 X1



FX4014 X24



ME0731 X4

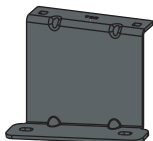


FX4021 X16

(M6X25)



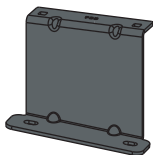
ME0732 X1



MA6019 X2



ME0733 X1

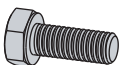


MA6020 X8



FX4012 X16

(M6X16)



**01**

**1L**



**X4**

**1R**



**X4**



**2L**



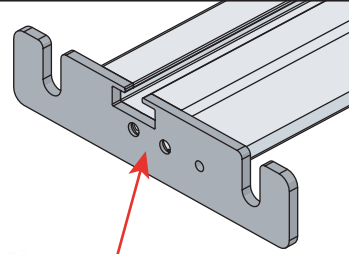
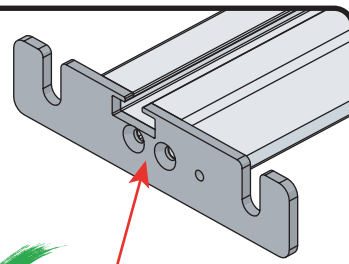
**X2**

**2R**



**X2**

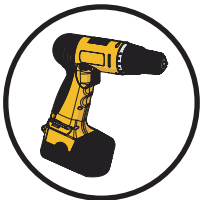
**02**



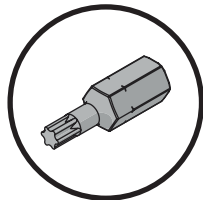
**03**

**01**

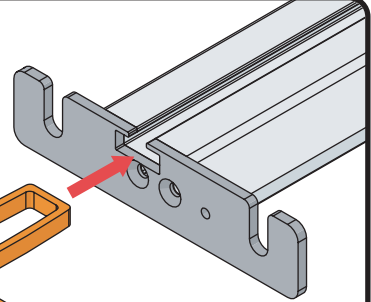
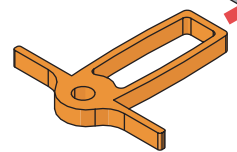
**FX4248**



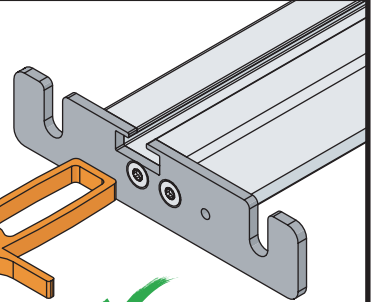
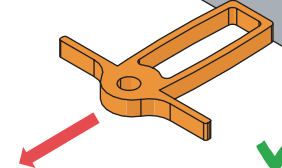
**+**



**02**



**04**

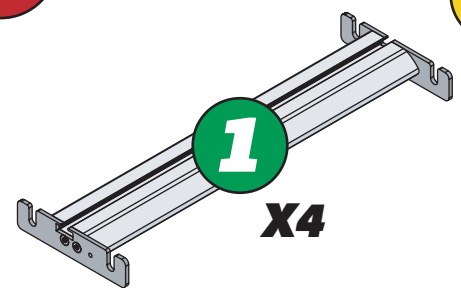


**04**



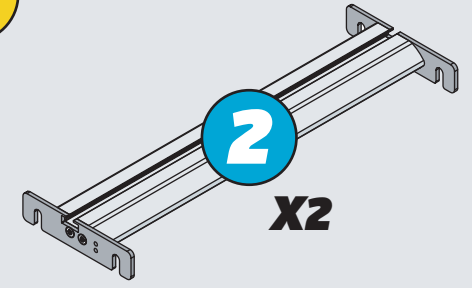
**1**

**X4**



**2**

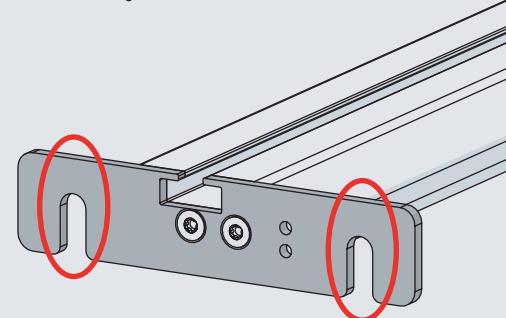
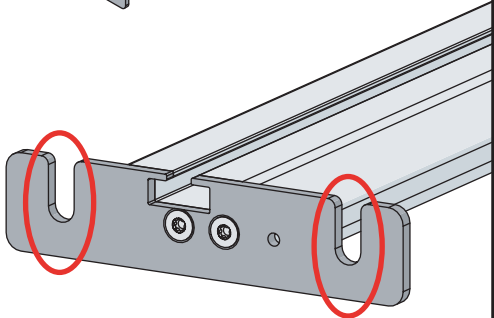
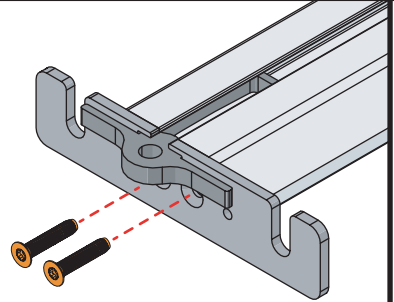
**X2**

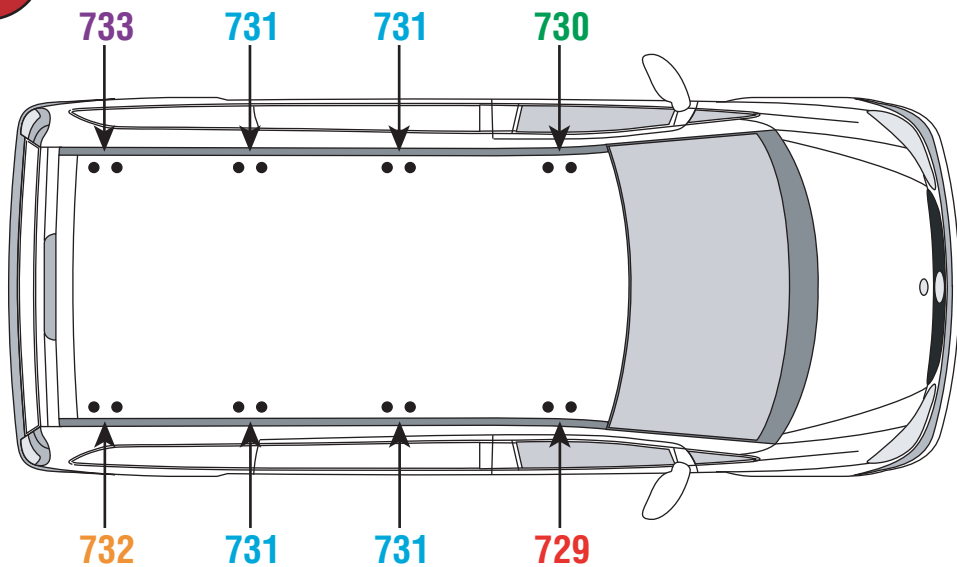
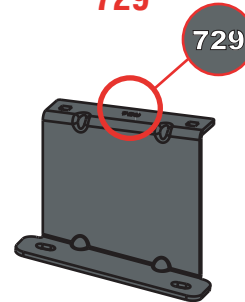
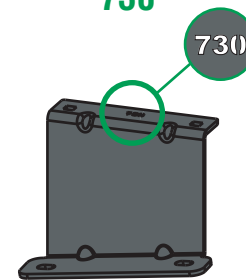
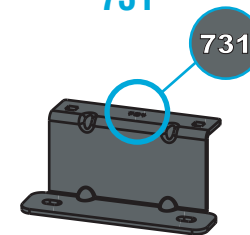
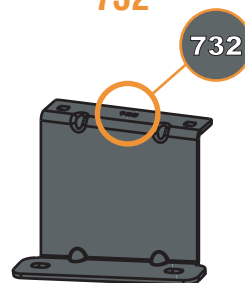
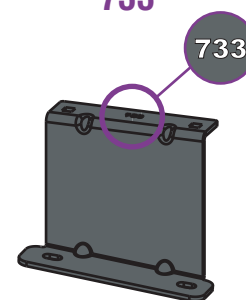
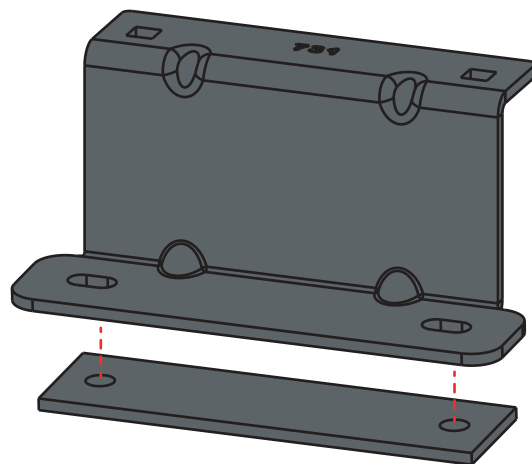
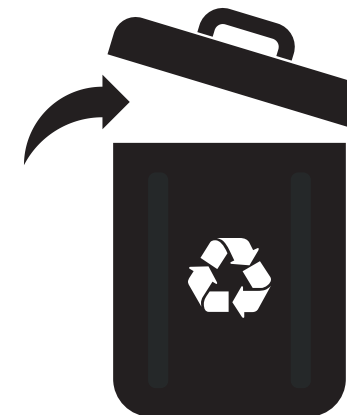
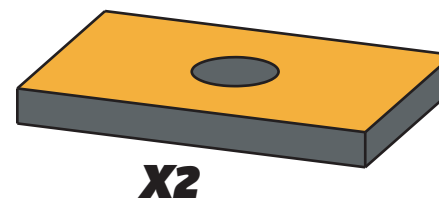


**03**



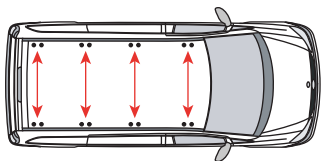
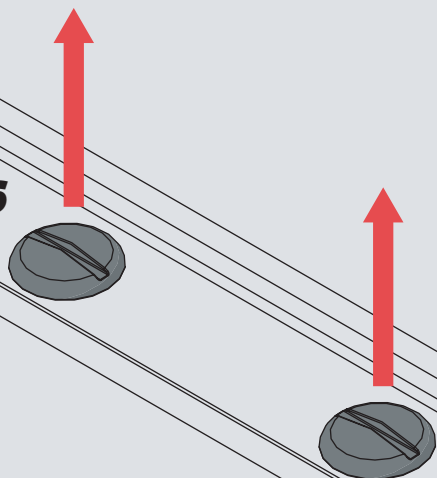
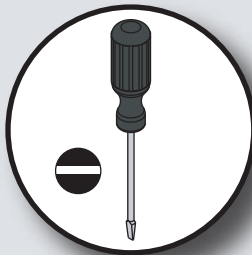
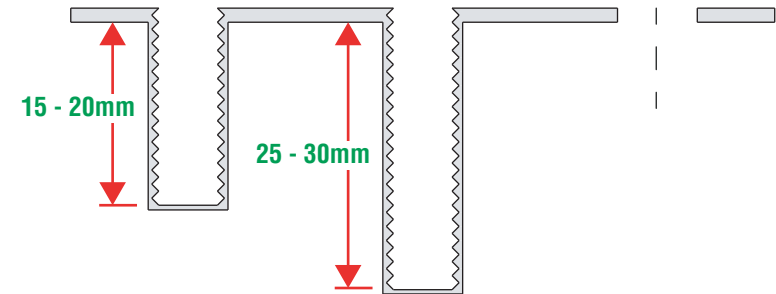
**11Nm**



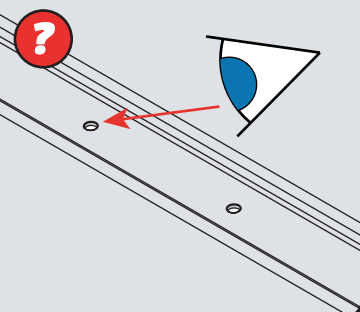
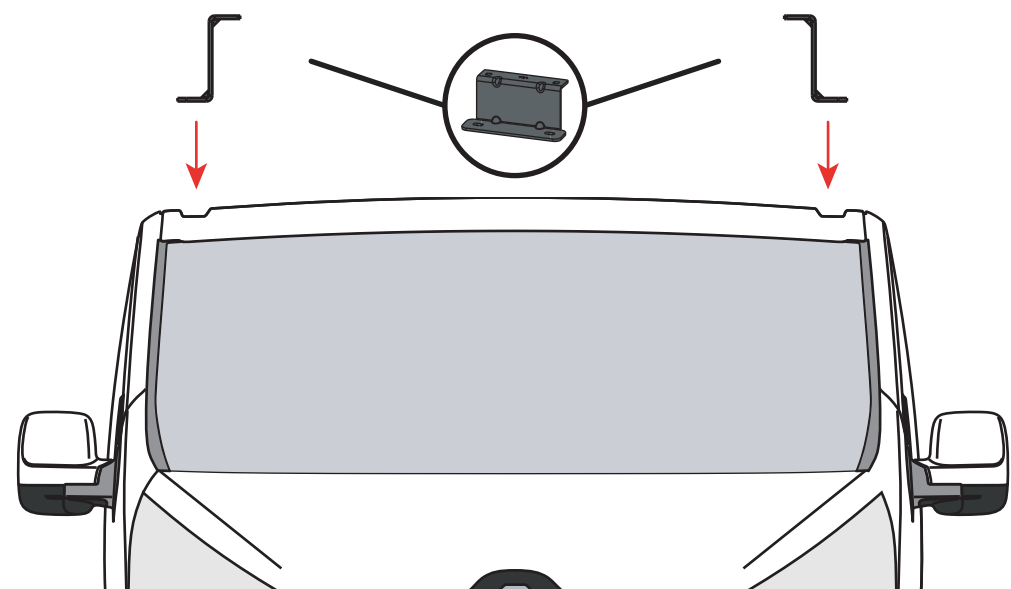
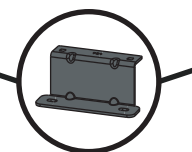
**05****729****730****731****732****733****06****07**

EN - STICK GASKETS TO ALL BRACKETS  
 DE - KLEBEN SIE DIE DICHTUNG AN ALLEN HALTERUNGEN  
 FR - COUSSINETS ADHÉSIFS À TOUS LES SUPPORTS  
 NL - PLAK PAKKING OP ALLE BEUGELS  
 ES - PEGA LAS ALMOHADILLAS A TODOS LOS SOPORTES  
 IT - ADESIVI GUARNIZIONI A TUTTE LE STAFFE

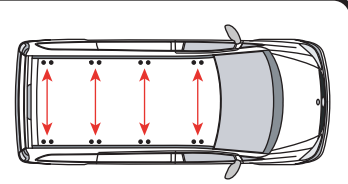
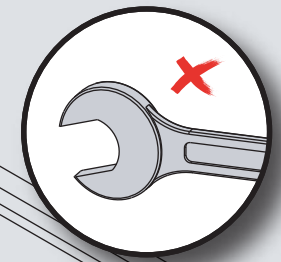
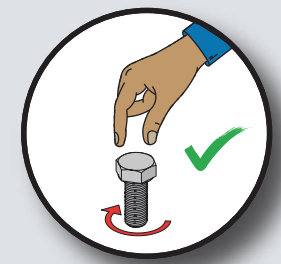
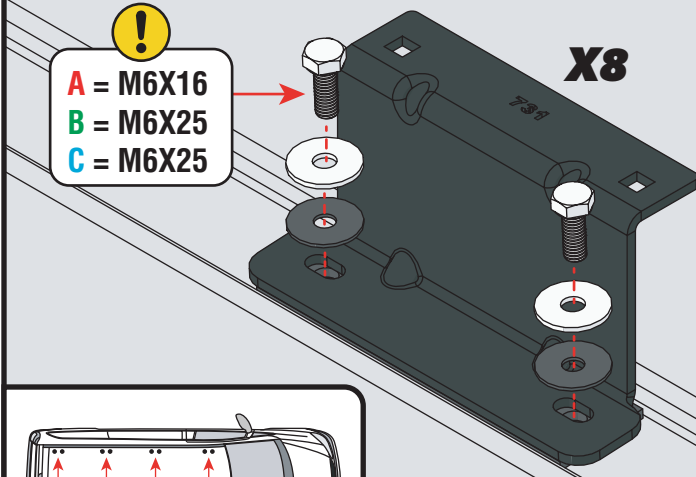
SV - FÄST GUMMI PÅ ALLA FÄSTEN  
 DA - KLÆB GUMMI PÅ ALLE BESLAG  
 NO - PLIST GUMMI PÅ ALLE BRACKETTER  
 PL - NAKLEJ USZCZELKI DO WSZYSTKICH WSPORNIKÓW  
 CS - PŘILEPTE TĚSNĚNÍ NA VŠECHNY DRŽÁKY

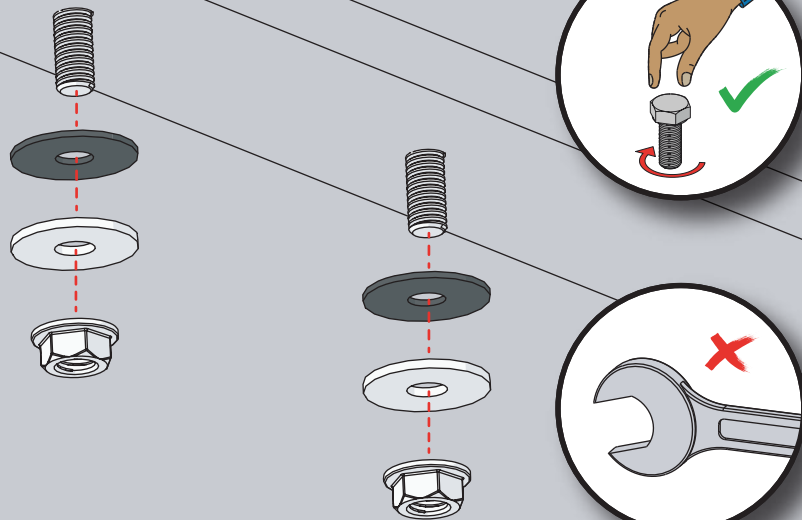
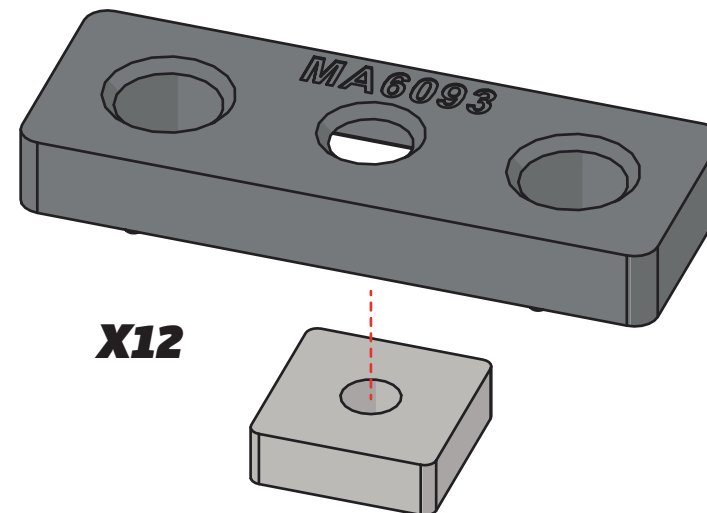
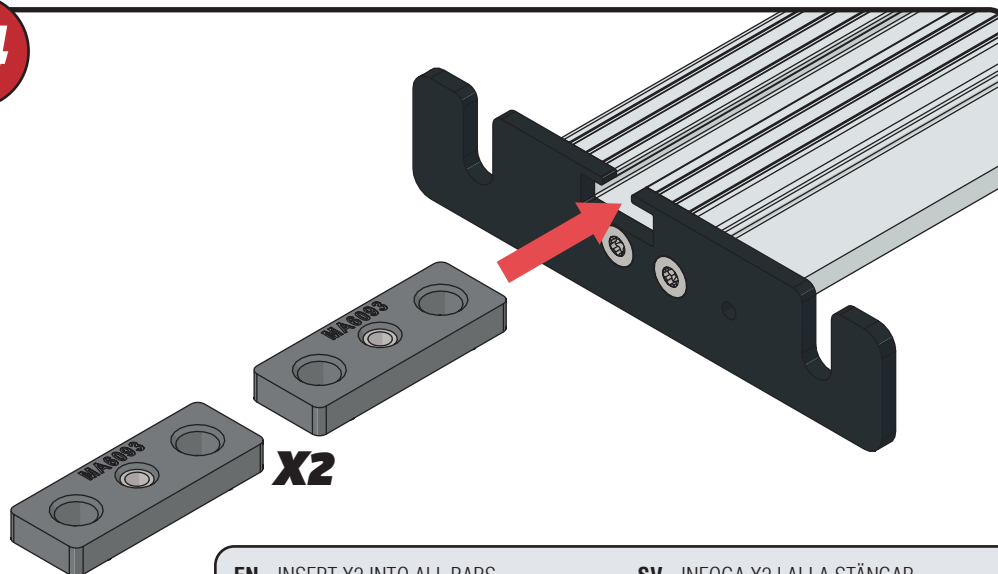
**08****X16****09****A**  
(10 & 11)**B**  
(10 & 11)**C**  
(10, 11 & 12)

**EN:** CHECK THE VEHICLE FIXING POINTS AND FOLLOW THE RELEVANT STEPS  
**DE:** ÜBERPRÜFEN SIE DIE BEFESTIGUNGSPUNKTE UND BEFOLGEN SIE DIE RELEVANTEN SCHRITTE  
**FR:** VÉRIFIER LES POINTS DE FIXATION ET SUIVRE LES ÉTAPES PERTINENTES  
**NL:** CONTROLEER DE BEVESTIGINGSPUNTEN VAN HET VOERTUIG EN VOLG RELEVANTE STAPPEN  
**ES:** CONSULTE LOS PUNTOS DE FIJACIÓN DEL VEHÍCULO Y SIGA LOS PASOS CORRESPONDIENTES  
**IT:** CONTROLLARE I PUNTI DI FISSAGGIO DEL VEICOLO E SEGUIRE I PASSAGGI RELATIVI  
**SV:** KONTROLLERA FORDONS FASTPUNKT OCH FÖLJ RELEVANTA STEG  
**DA:** KONTROLLER KØRETØJETS FASTSÆTNINGSPUNKTER, OG FØLG RELEVANTE TRIN  
**NO:** KONTROLLER KJØRETØYETS FESTEPUNKTER OG FØLG RELEVANTE TRINN  
**PL:** SPRAWDŹ PUNKTY MOCOWANIA POJAZDU I WYKONAJ ODPOWIEDNIE KROKI  
**CS:** ZKONTROLUJTE UPEVNŔOVACÍ BODY VOZIDLA A DODRŔUJTE PŘÍSLUŠNÉ KROKY

**10****A, B, C****11****A, B, C**

**!**  
**A = M6X16**  
**B = M6X25**  
**C = M6X25**

**X8**

**12****C****13****14**

EN - INSERT X2 INTO ALL BARS

DE - X2 IN ALLE STANGEN EINFÜGEN

FR - INSÉRER X2 DANS TOUTES LES BARRES

NL - PLAATS X2 IN ALLE BARS

ES - INSERTAR X2 EN TODAS LAS BARRAS

IT - INSERIRE X2 IN TUTTE LE BARRE

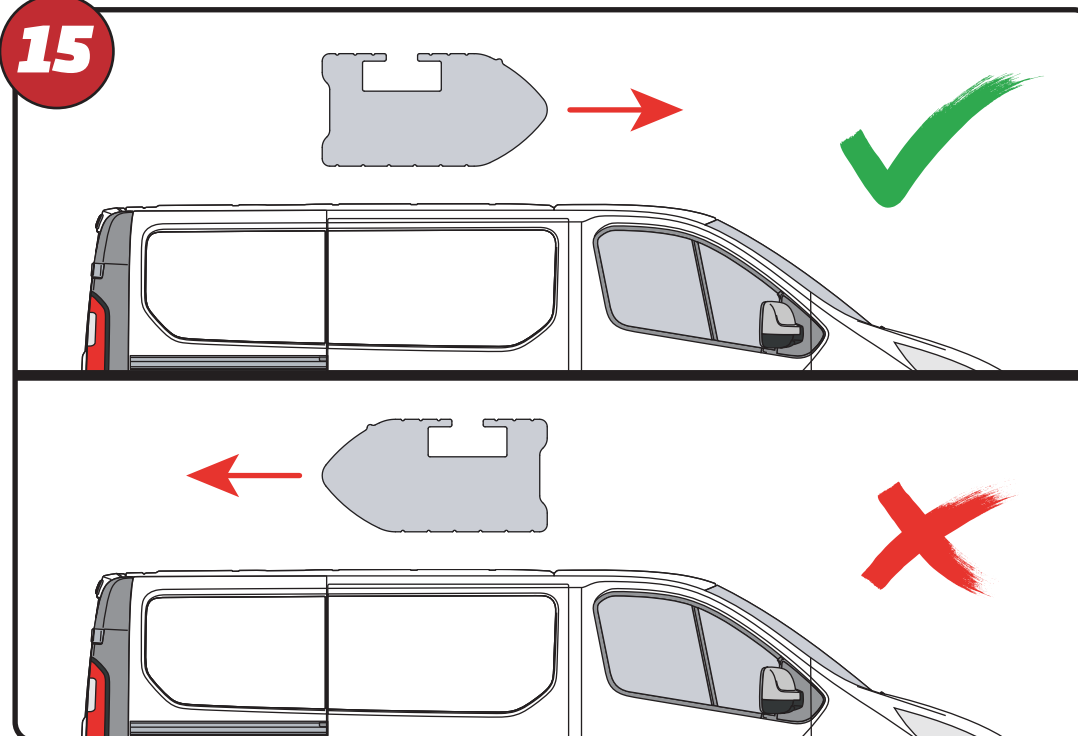
SV - INFOGA X2 I ALLA STÄNGAR

DA - INDSÆT X2 I ALLE STÆNGER

NO - SETT X2 INN I ALLE TAKSTENGER

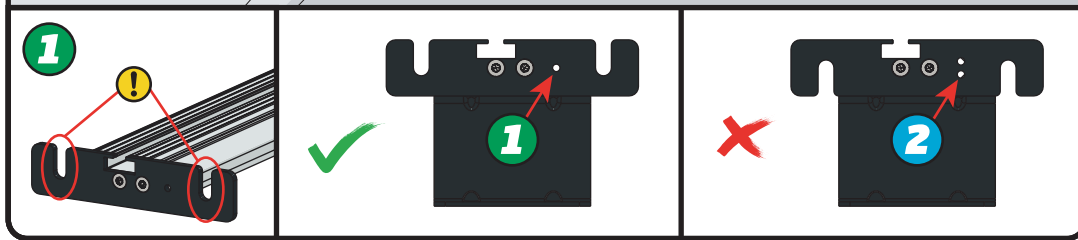
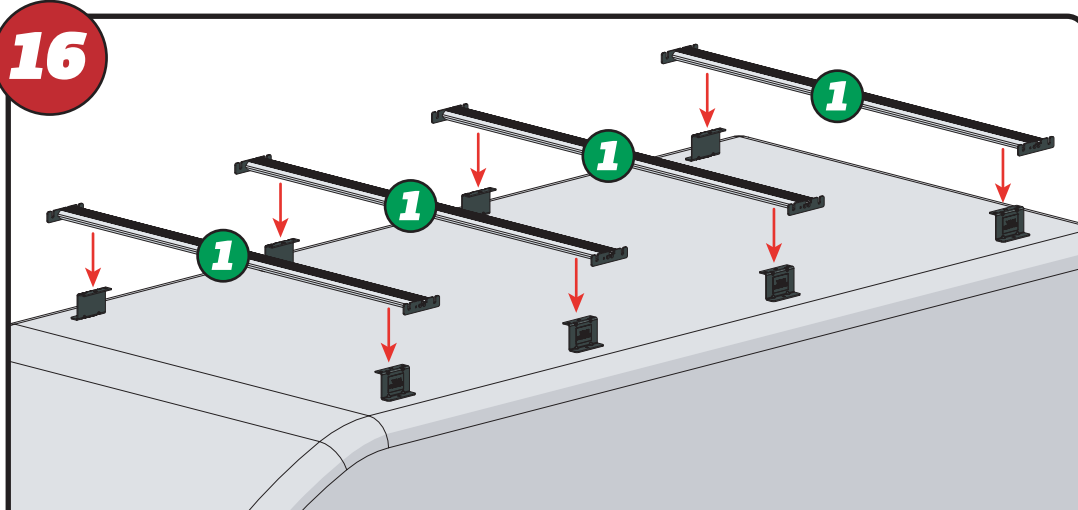
PL - WSTAW X2 DO WSZYSTKICH PRĘTÓW

CS - VLOŽTE X2 DO VŠECH TYČÍ

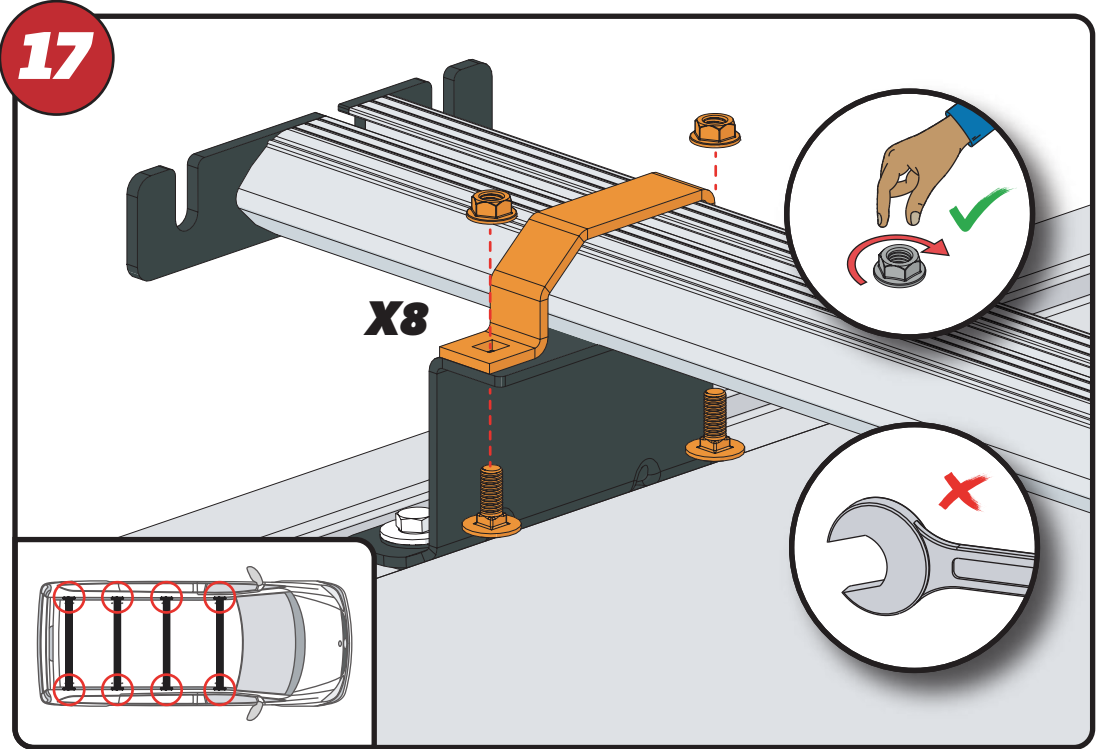
**15**



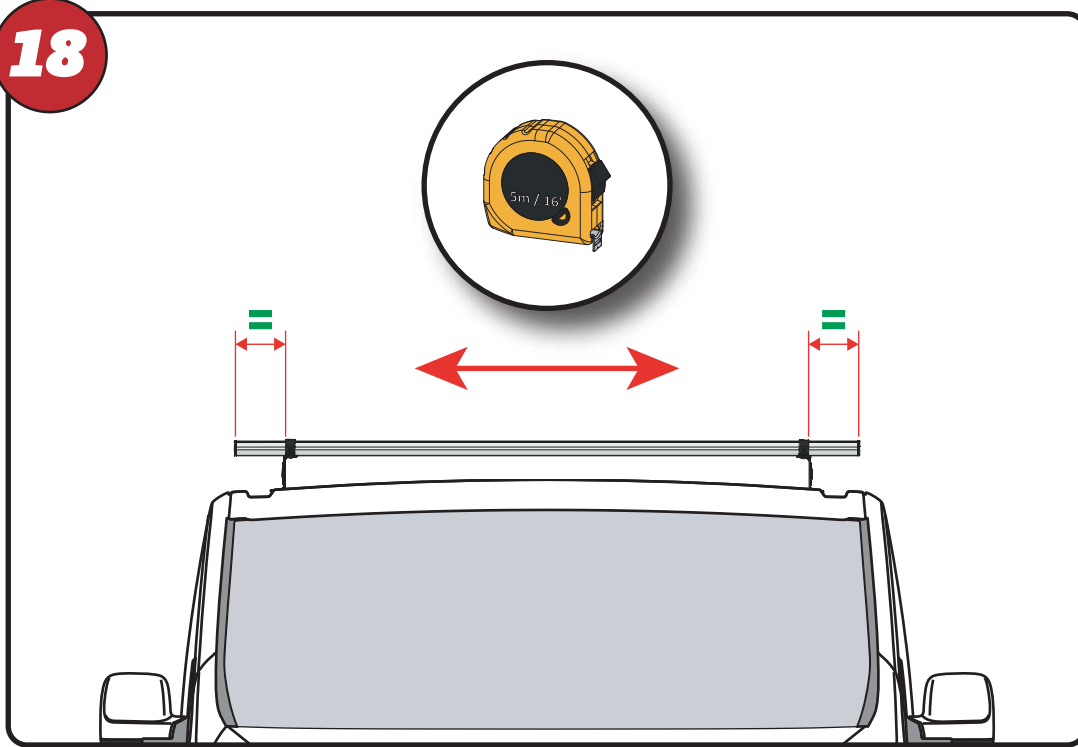
16



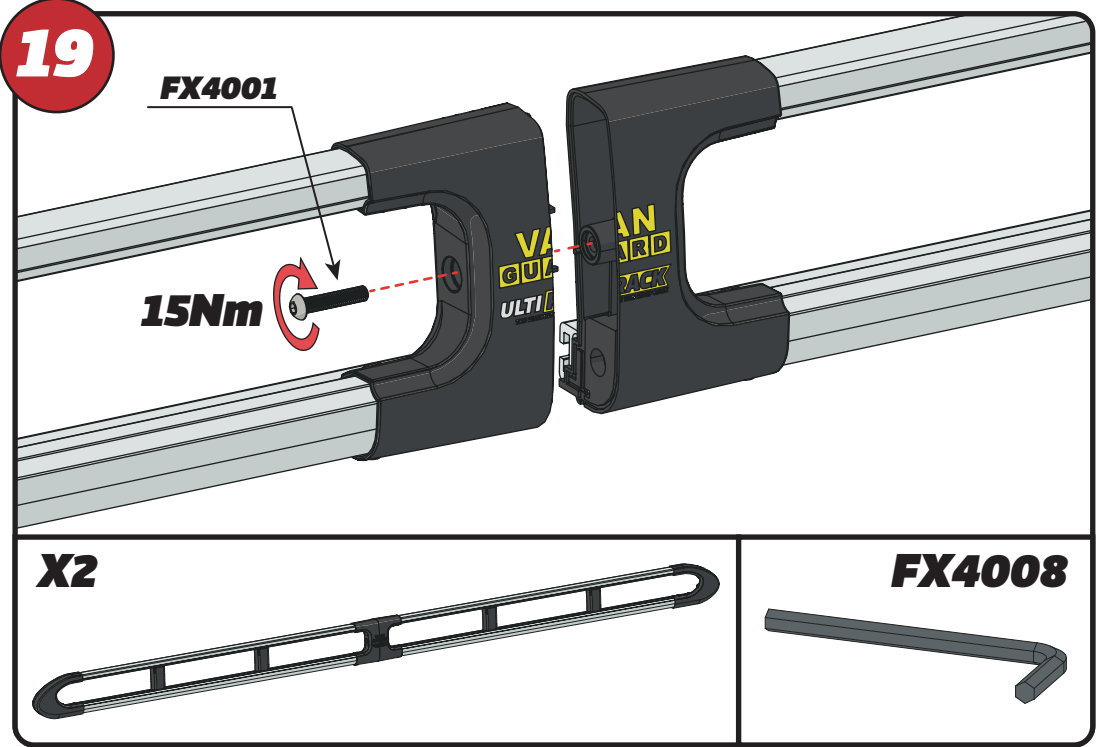
17



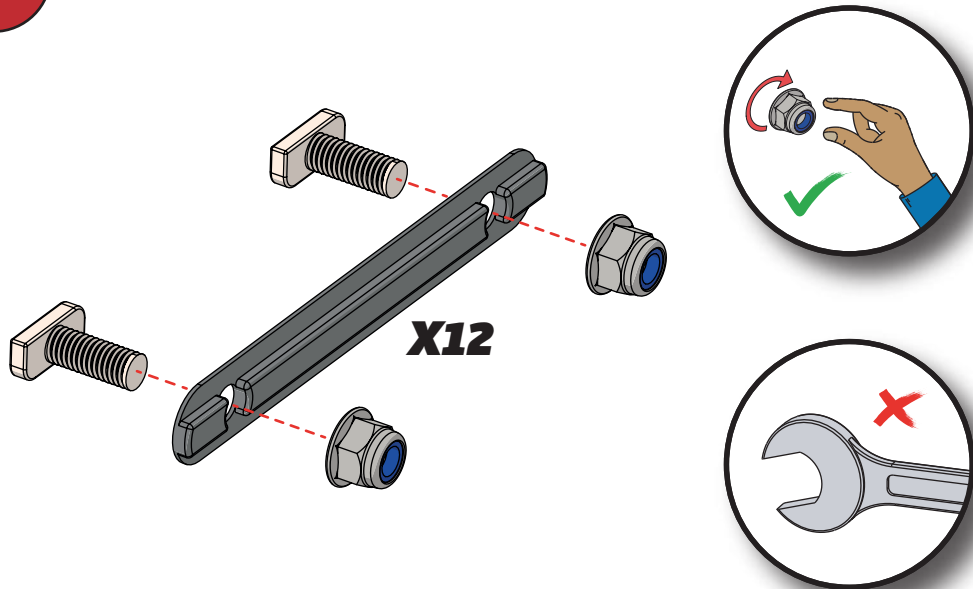
18



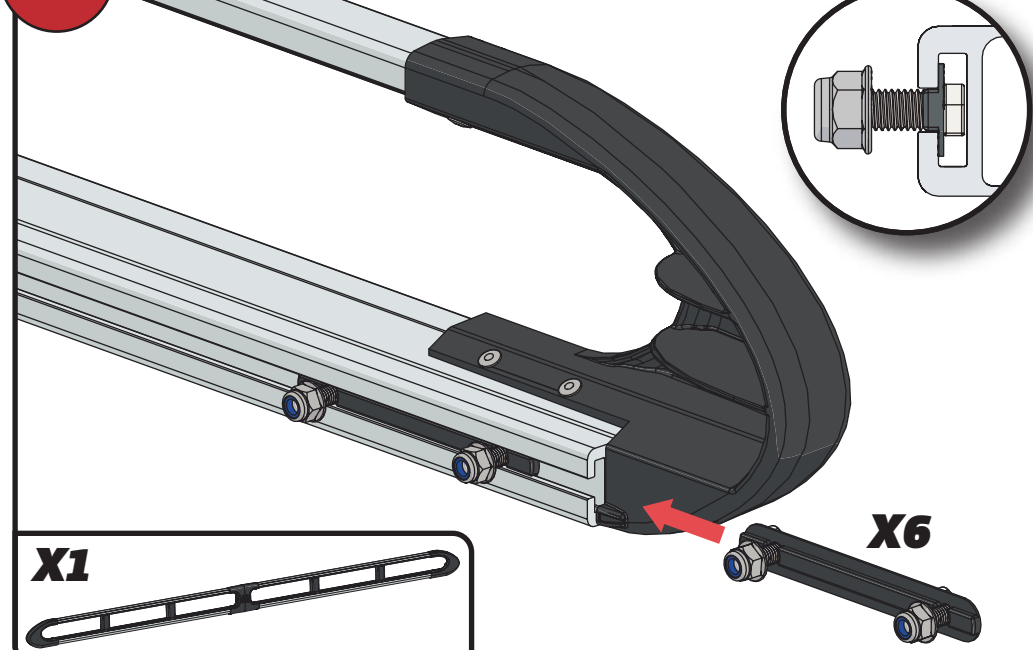
19



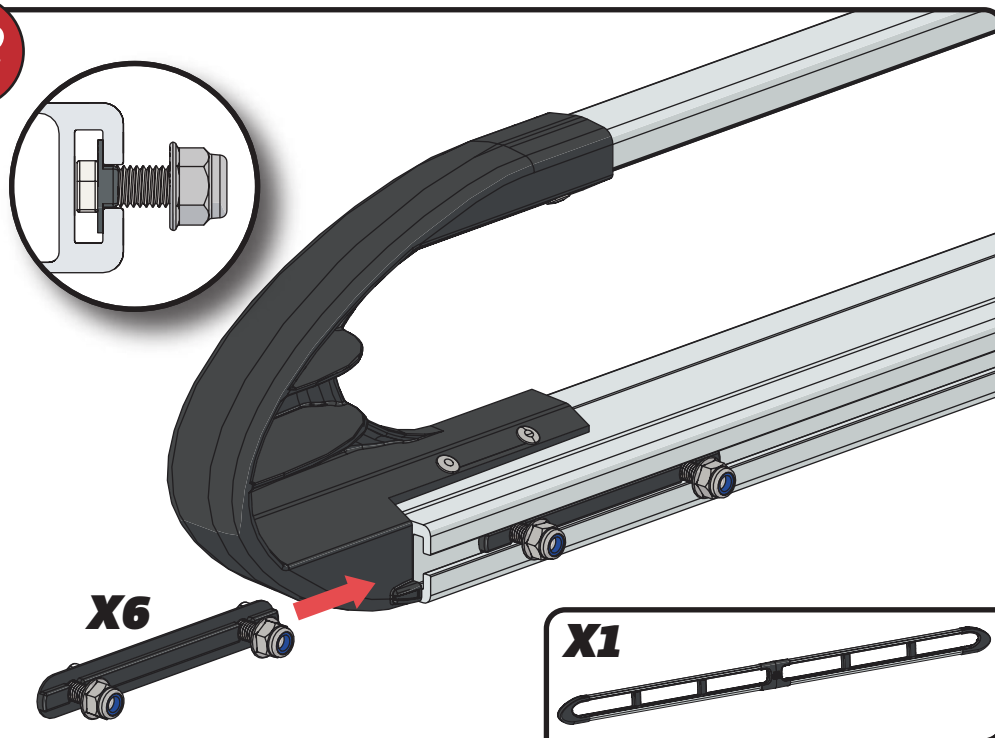
20



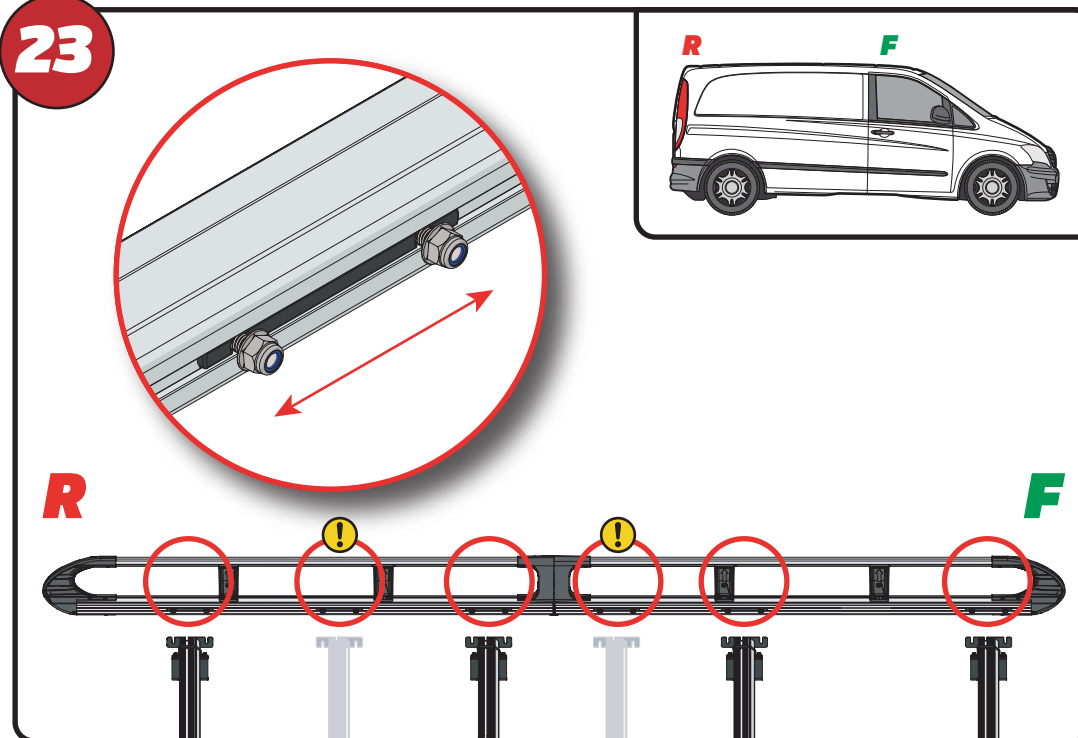
21



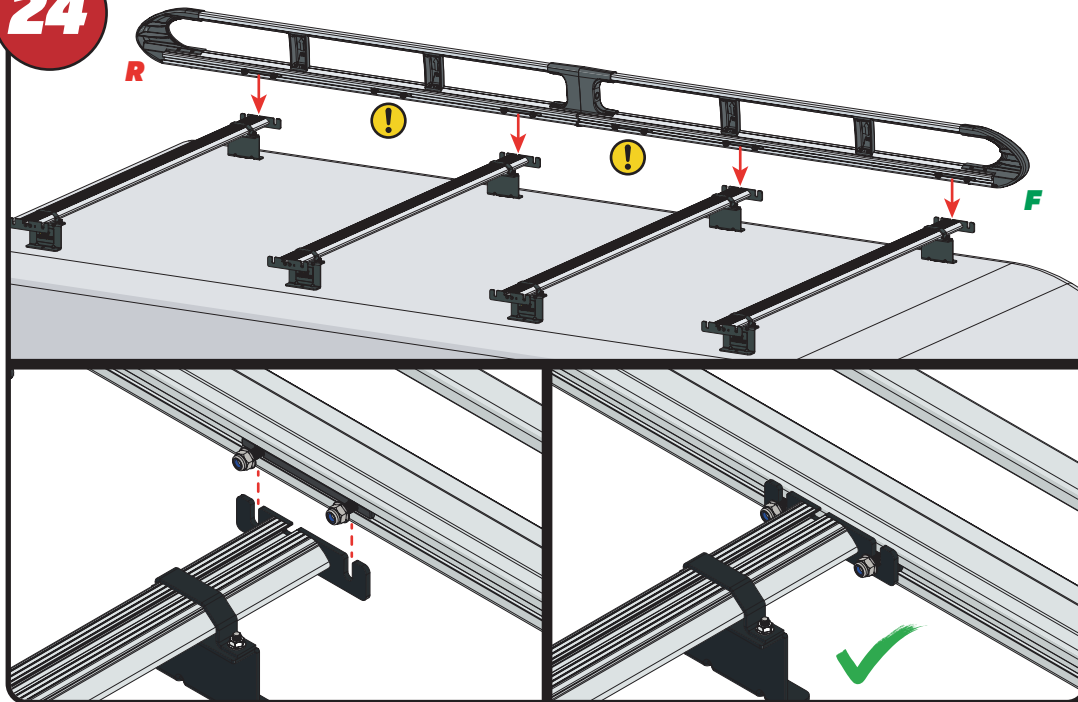
22



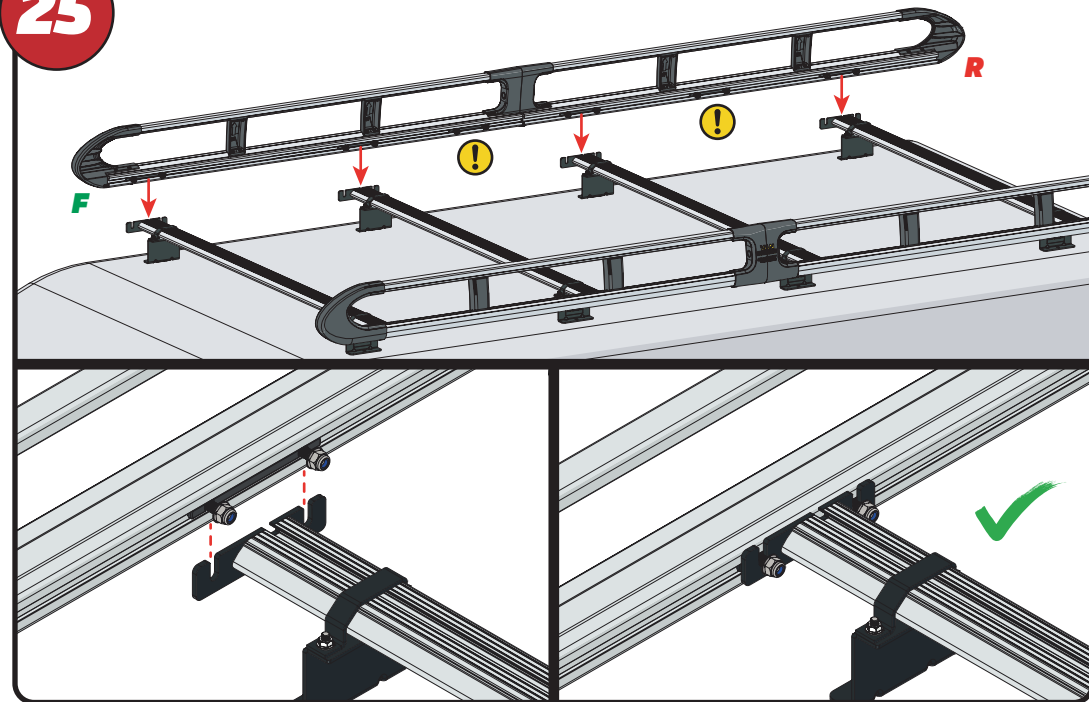
23



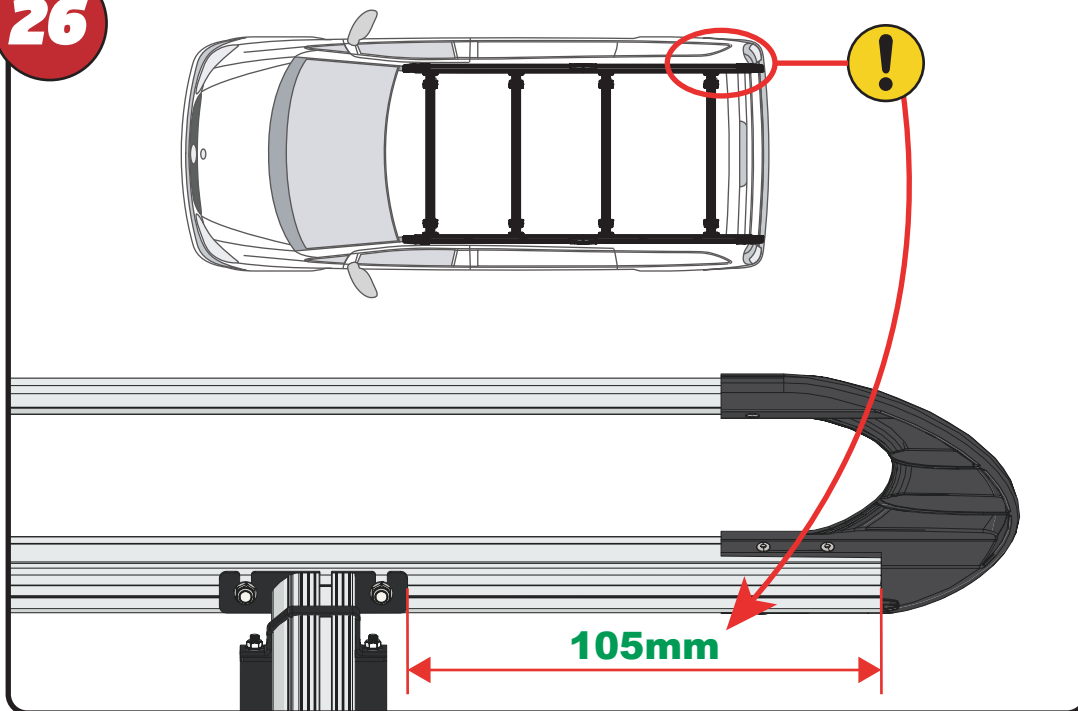
24



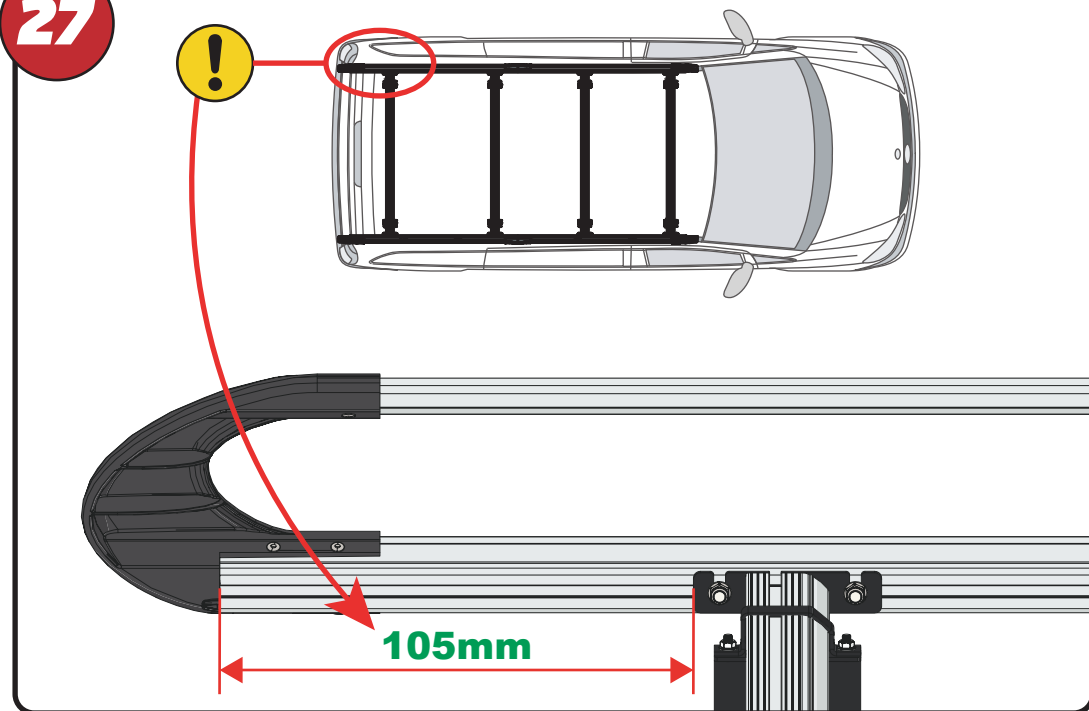
25

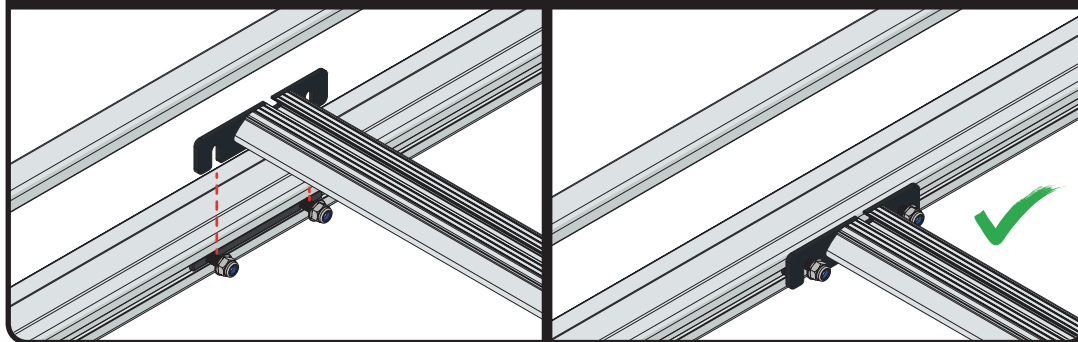
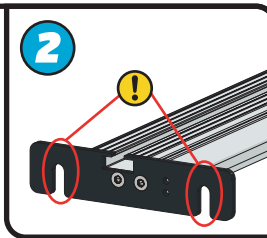
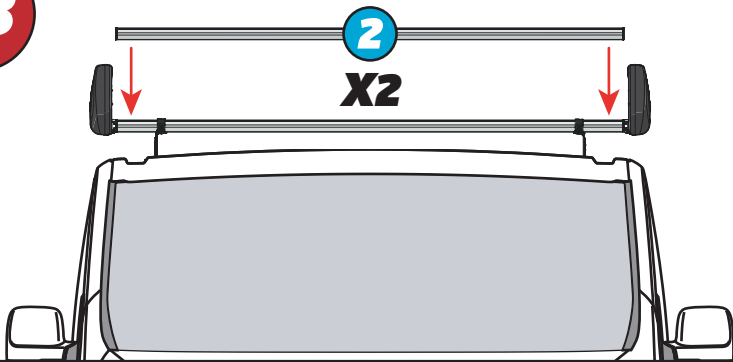


26

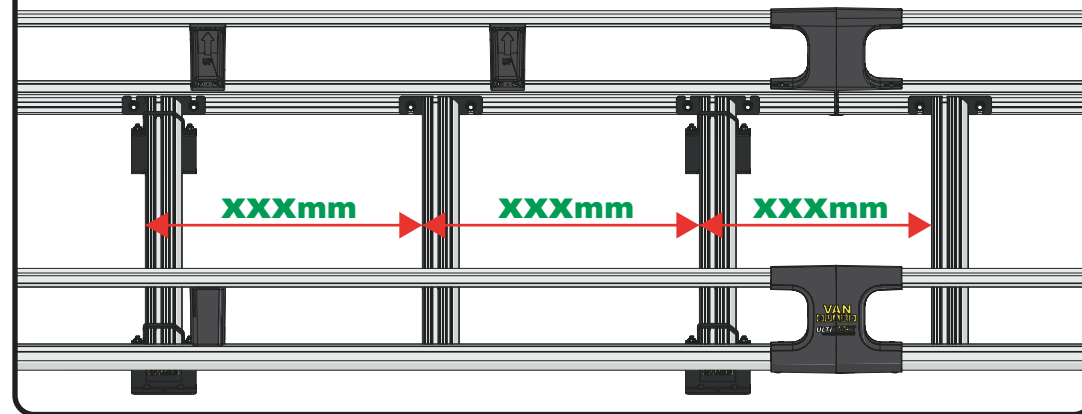
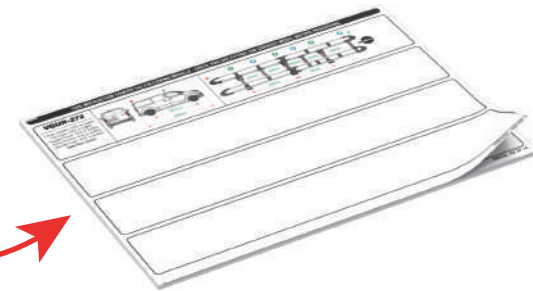
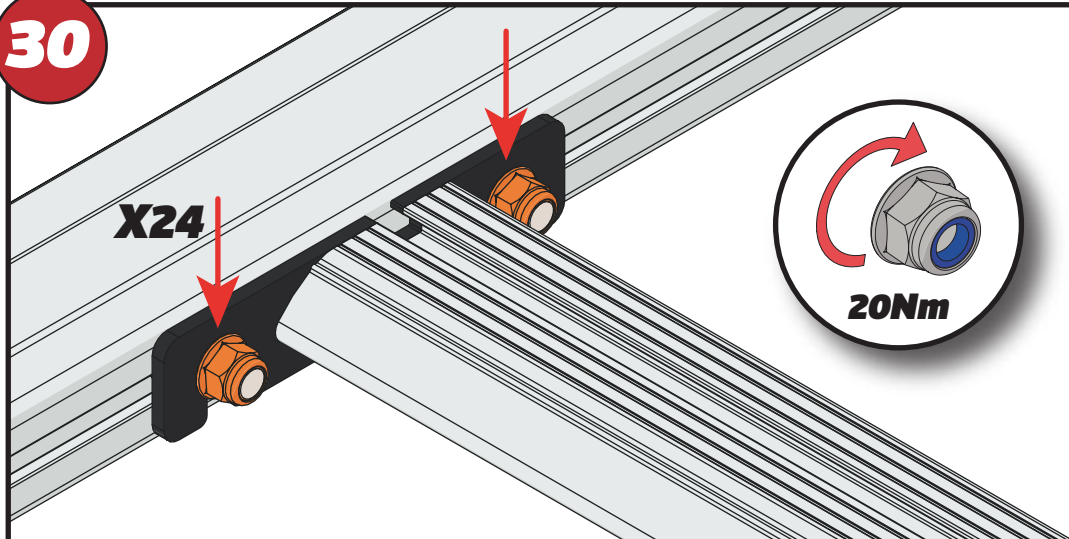


27



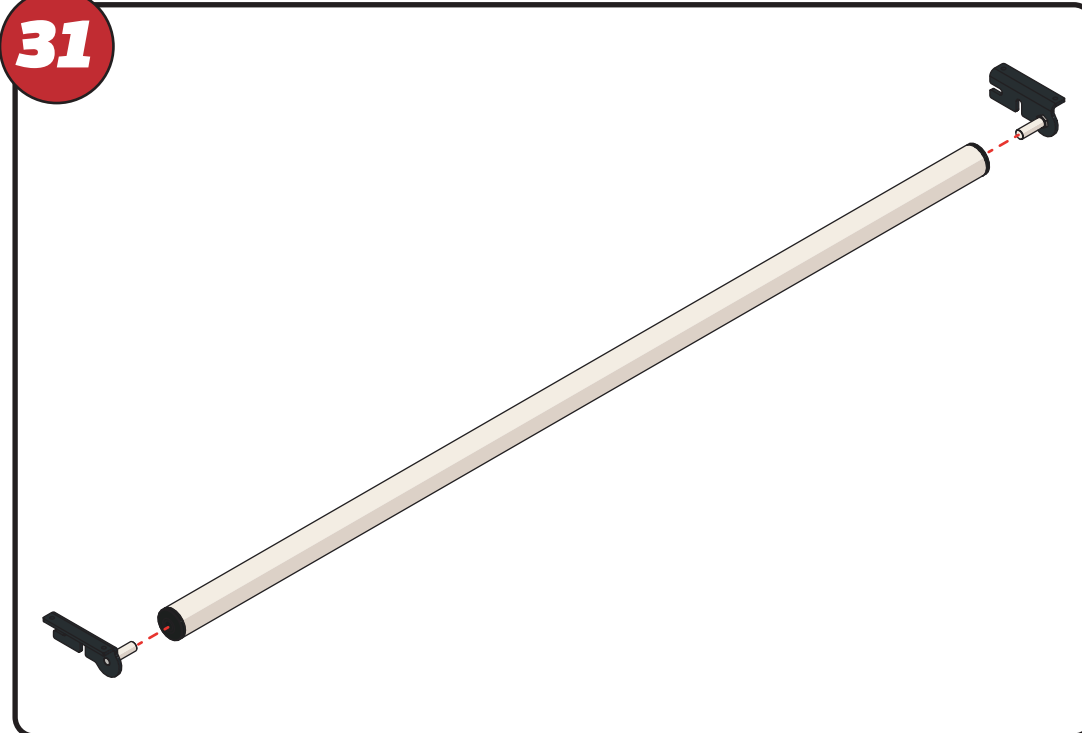
**28****29**

XXX =  
PAGE 2 OF 15

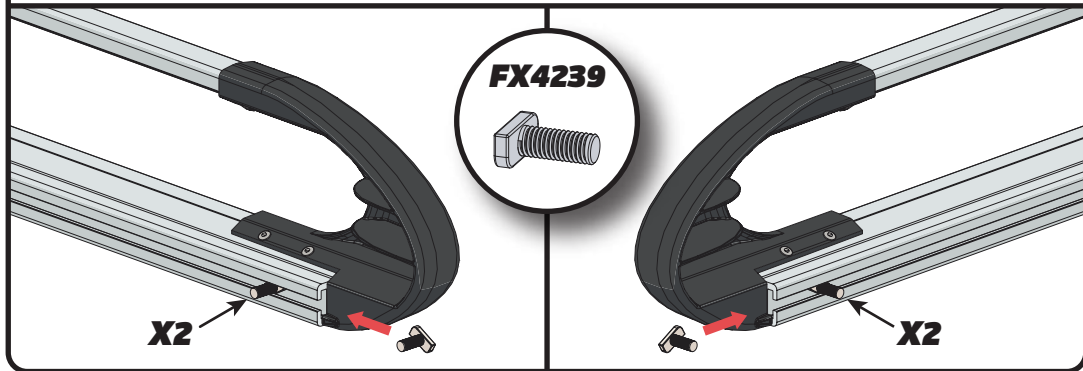
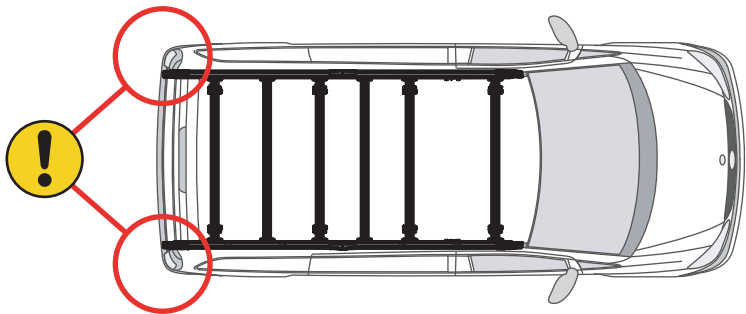
**30**

EN - TIGHTEN ALL OF THE CROSS BARS  
 DE - ALLE QUERSTANGEN FESTZIEHEN  
 FR - SERREZ TOUTES LES BARRES TRANSVERSALES  
 NL - DRAAI ALLE DWARSBALK VAN HET DAK AAN  
 ES - APRIETE TODAS LAS BARRAS TRANSVERSALES  
 IT - STRINGERE TUTTE LE BARRE TRASVERSALI

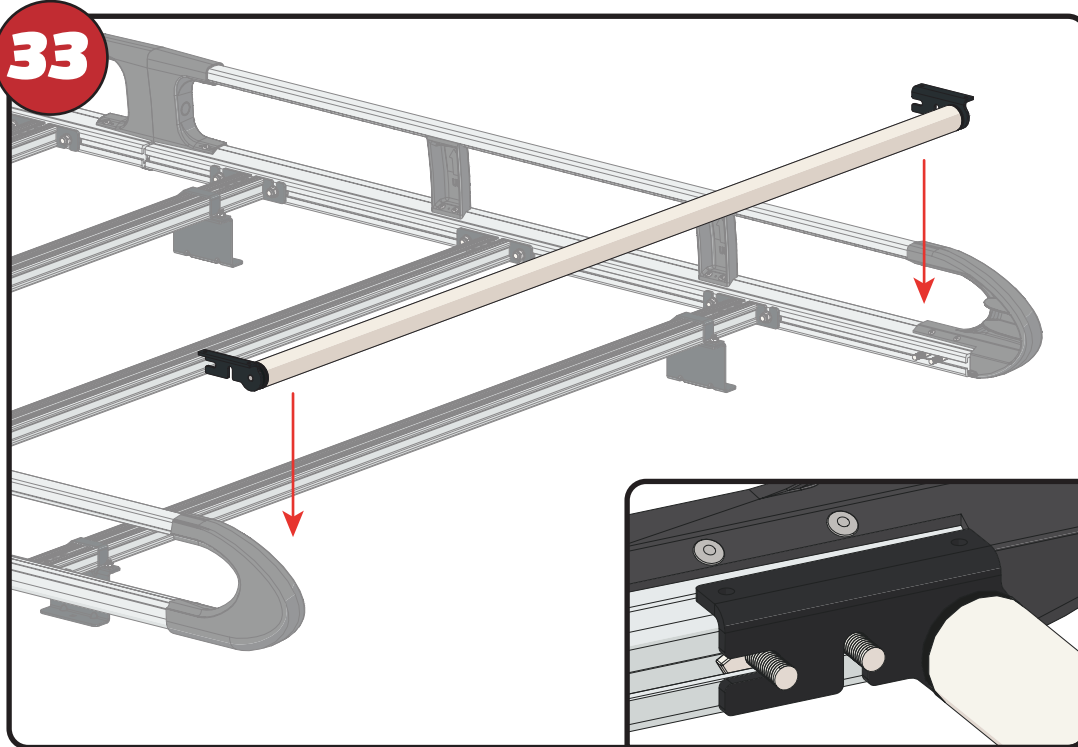
SV - SKRU UPP ALLA KORSSTANGAR  
 DA - SKRU ALLE TAGBØJLER OP  
 NO - SKRU OPP ALLE TVERRSTENGER  
 PL - DOKRĘCIĆ WSZYSTKIE POPRZECZKI  
 CS - VŠECHNY PŘÍČNÉ TYČE SEŠROUJTE

**31**

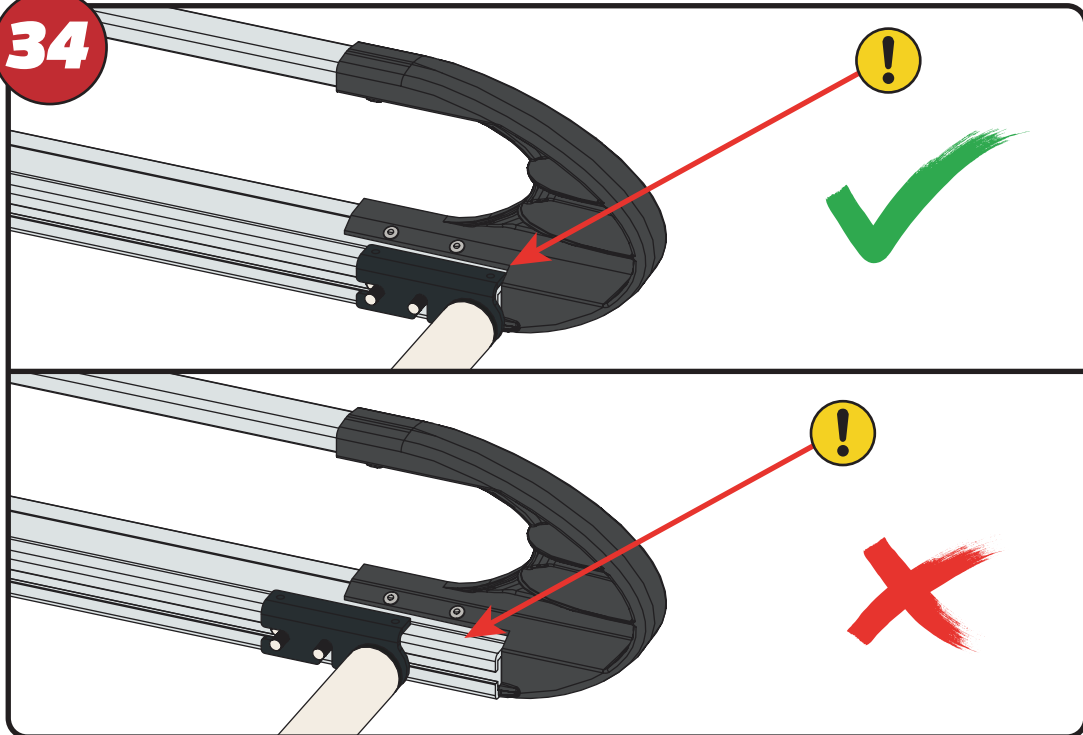
32



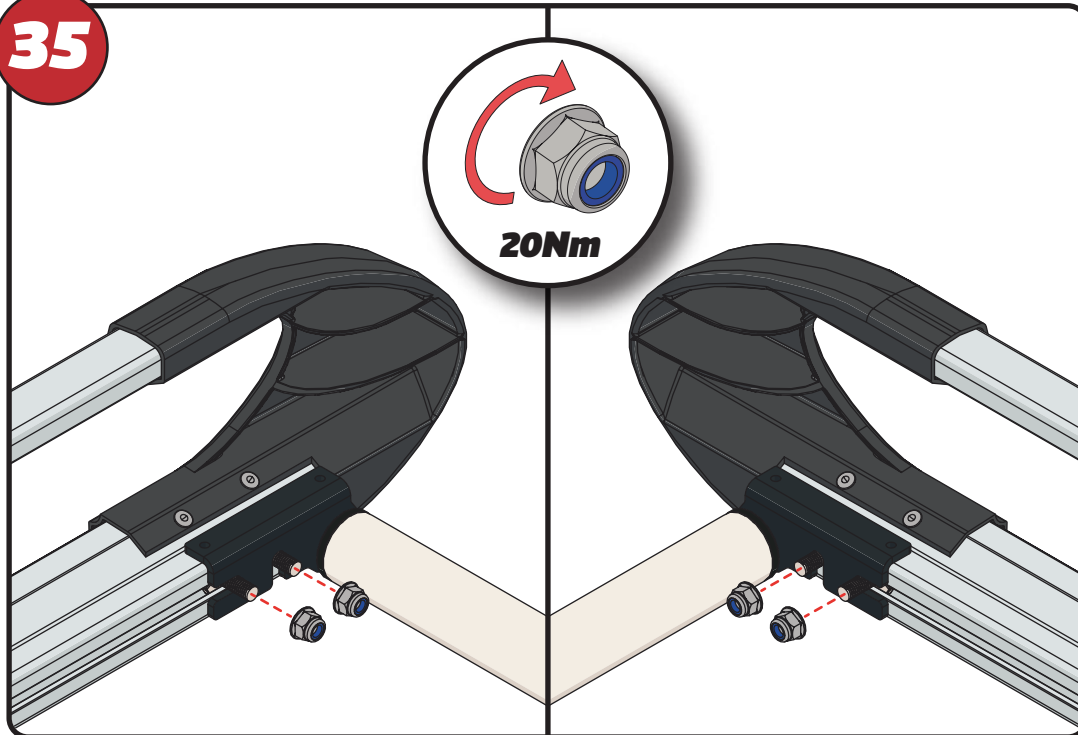
33



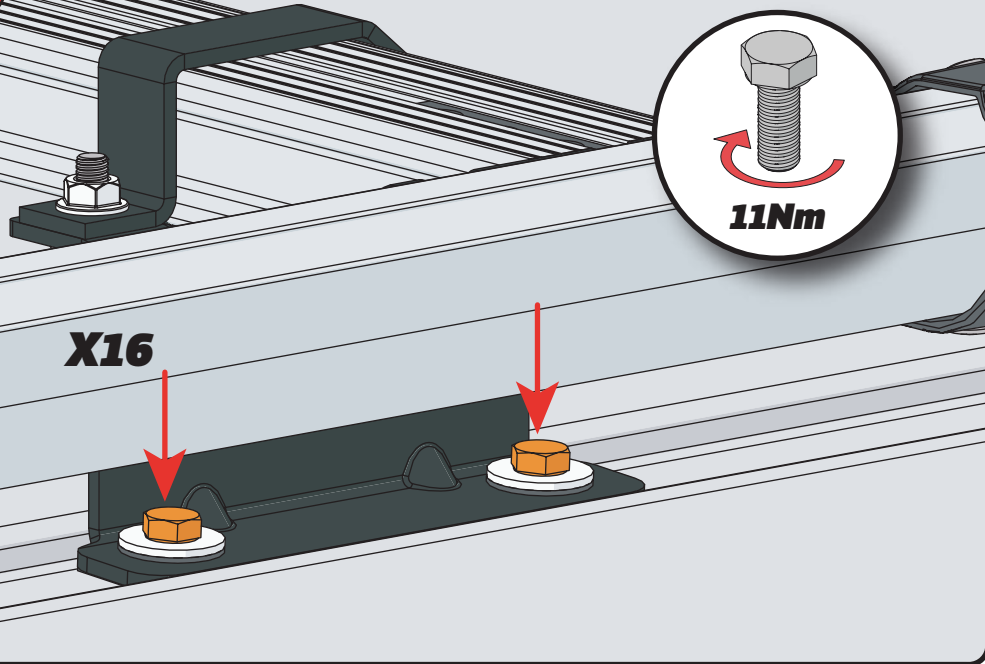
34



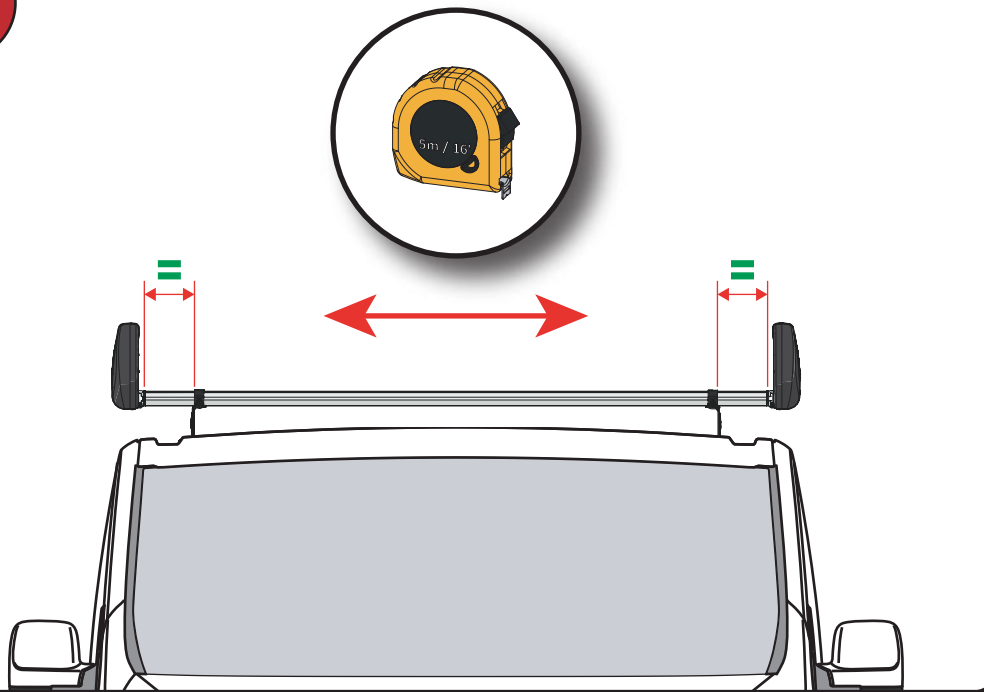
35



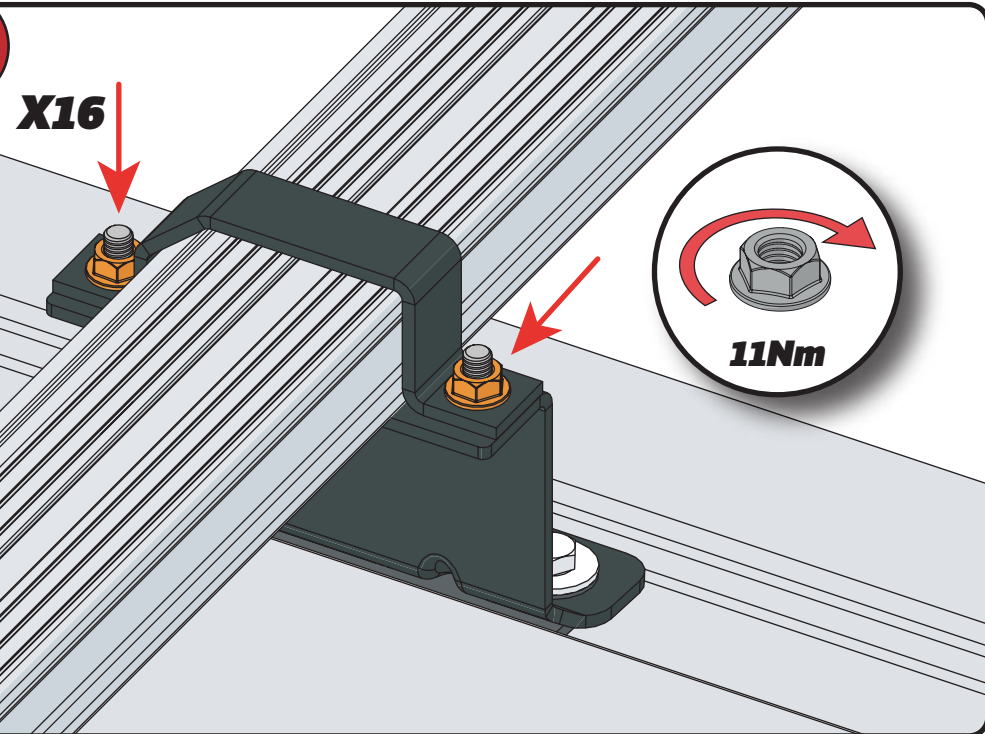
**36**



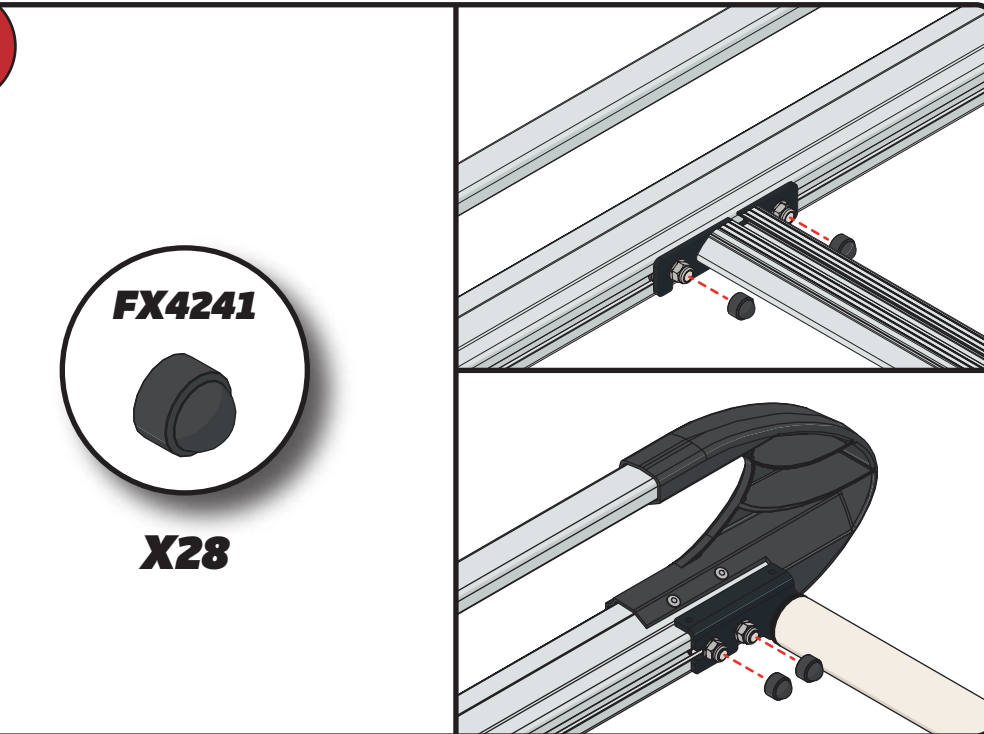
**37**



**38**

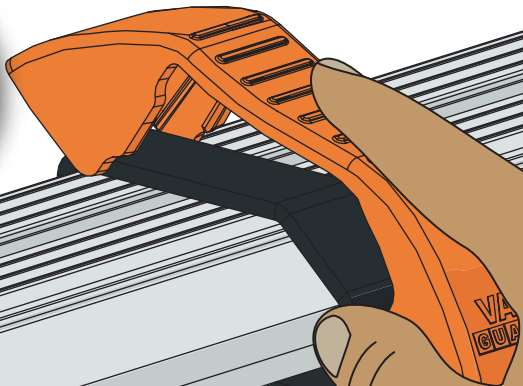


**39**



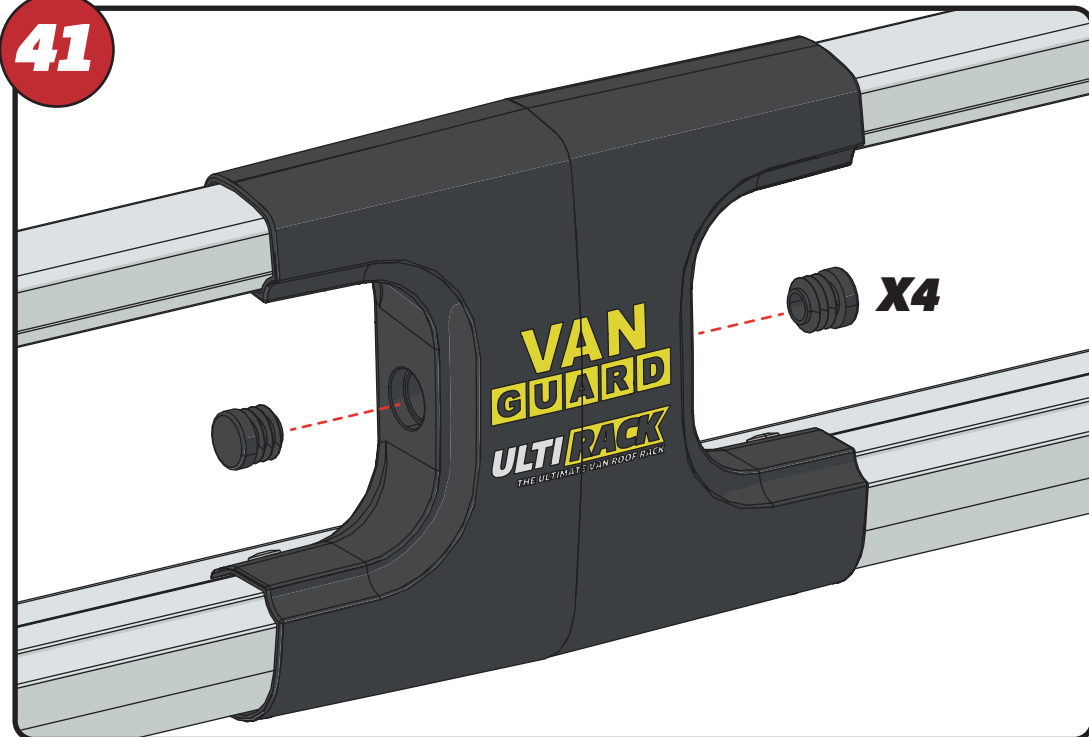
40

X8



41

X4



42

