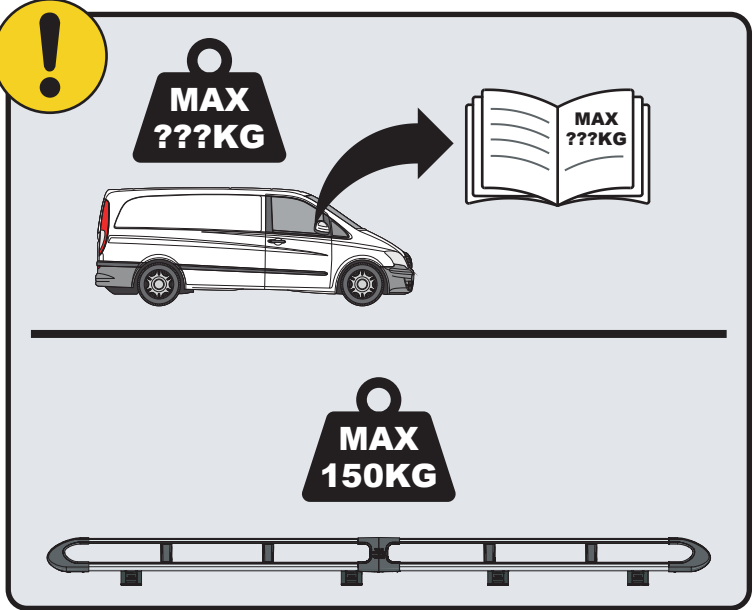
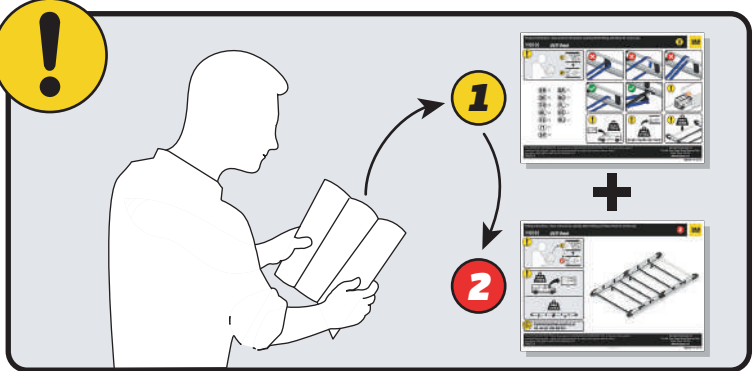


# IN8300

## ULTI Rack+



 [Customercare@van-guard.co.uk](mailto:Customercare@van-guard.co.uk)  
UK +44 (0) 1392 368 351



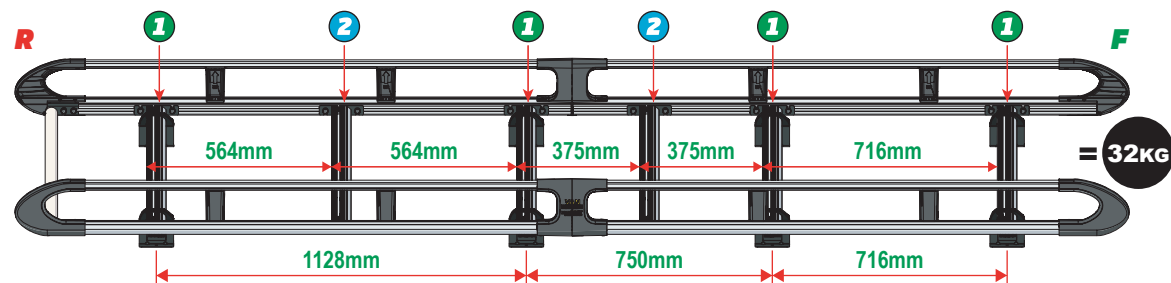
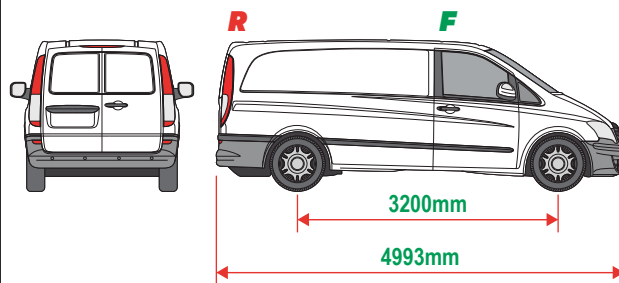
This FITTING INSTRUCTION is the property of VAN GUARD ACCESSORIES LTD. and must not be used for manufacturing purposes, copied nor communicated in any way to third parties without written permission from VAN GUARD ACCESSORIES LTD.  
IN8300\_B (CN:00356)

Van Guard Accessories Ltd  
Fair Oak Close, Exeter Airport Business Park,  
Exeter, Devon, EX5 2UL  
[www.van-guard.co.uk](http://www.van-guard.co.uk)

THIS INSTRUCTION COVERS THE FOLLOWING MODELS - CHECK YOU ARE FITTING THE CORRECT MODEL BEFORE PROCEEDING

# VGUR-229

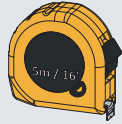
Mercedes Vito: 2003 on  
L2H1  
Twin Rear Doors



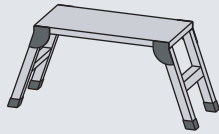
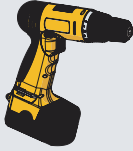
**SUPPLIED COMPONENTS - CHECK ALL PARTS ARE PRESENT AND CORRECT BEFORE PROCEEDING (1 OF 2)**

**TOOLS REQUIRED**

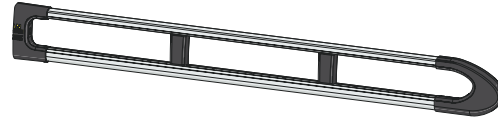
**10MM X2**



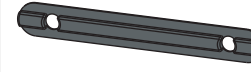
**13MM X1**



**AS3543 X2**  
(3200 / A)



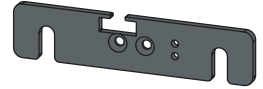
**MA6118 X12**



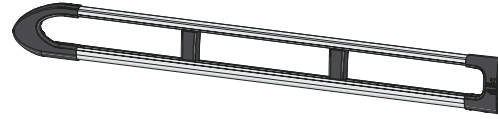
**FX4241 X28**



**ME1622 X2**



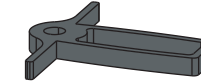
**AS3542 X2**  
(3200 / B)



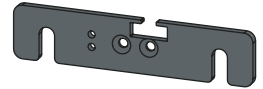
**FX4008 X1**



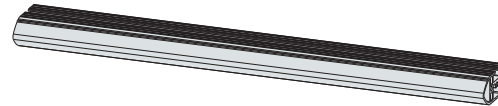
**MA6145 X1**



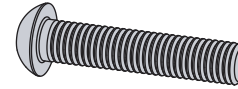
**ME1623 X2**



**ME1627 X6**  
(1354mm)



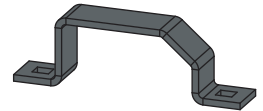
**FX4001 X2**  
(M8X40)



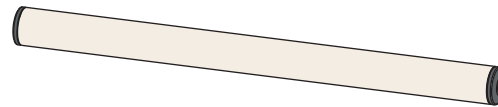
**FX4235 X24**  
(M5X25)



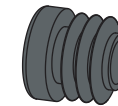
**ME0203 X8**



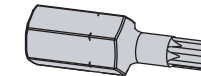
**AS3159 X1**  
(1340mm)



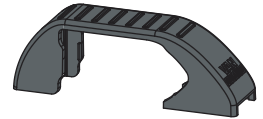
**MA6007 X4**



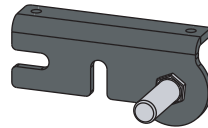
**FX4248 X1**  
(T25)



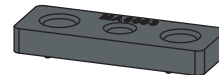
**MA6065 X8**



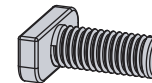
**AS3590 X1**



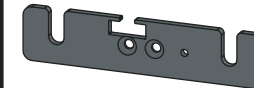
**MA6093 X12**



**FX4239 X28**  
(M8X20)



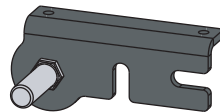
**ME1620 X4**



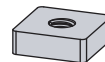
**FX4016 X32**  
(M6)



**AS3591 X1**



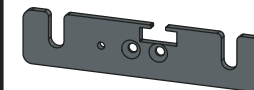
**ME0316 X12**



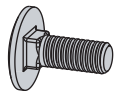
**FX4240 X28**  
(M8)



**ME1621 X4**

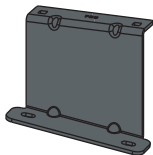


**FX4042 X16**  
(M6X16)



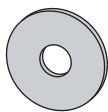
SUPPLIED COMPONENTS - CHECK ALL PARTS ARE PRESENT AND CORRECT BEFORE PROCEEDING (2 OF 2)

**ME0729 X1**

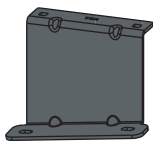


**FX4013 X24**

(M6)



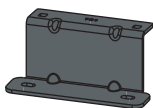
**ME0730 X1**



**FX4014 X24**



**ME0731 X4**

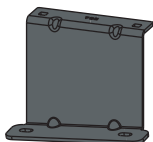


**FX4021 X16**

(M6X25)



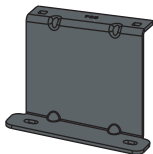
**ME0732 X1**



**MA6019 X2**



**ME0733 X1**

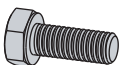


**MA6020 X8**



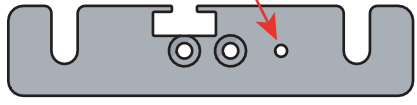
**FX4012 X16**

(M6X16)



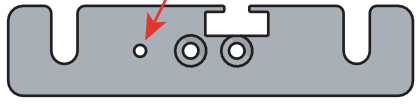
**01**

**1L**



**X4**

**1R**



**X4**

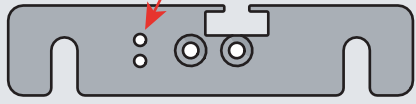


**2L**



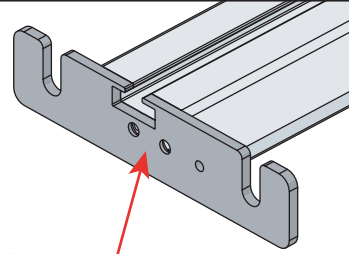
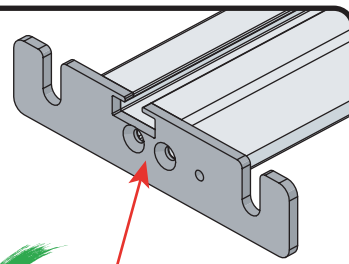
**X2**

**2R**



**X2**

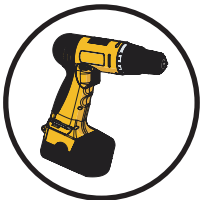
**02**



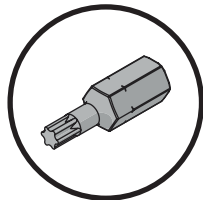
**03**

**01**

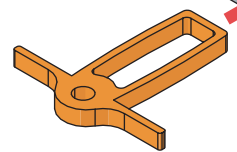
**FX4248**



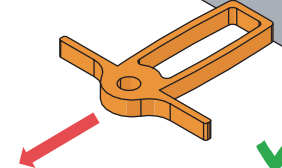
**+**



**02**



**04**

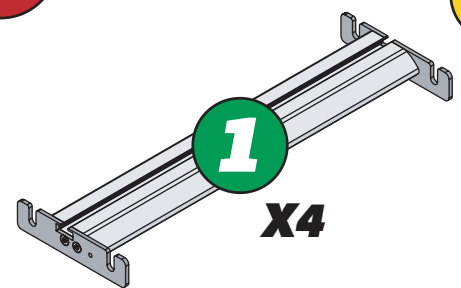


**04**



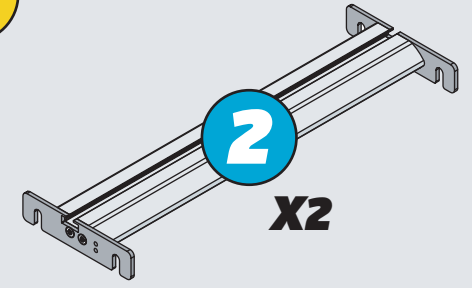
**1**

**X4**



**2**

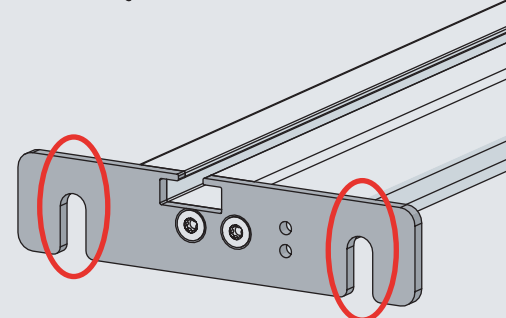
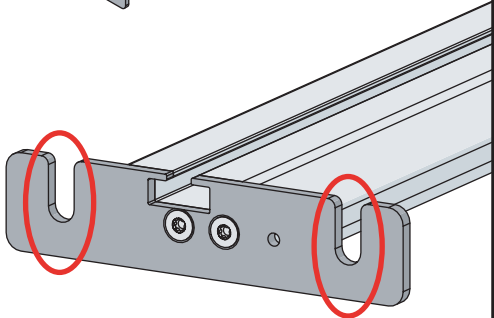
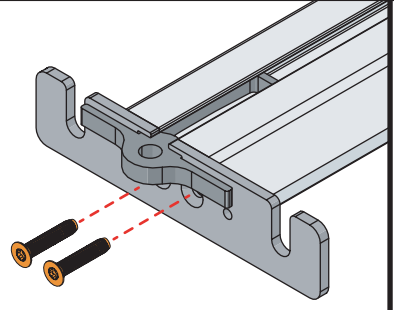
**X2**

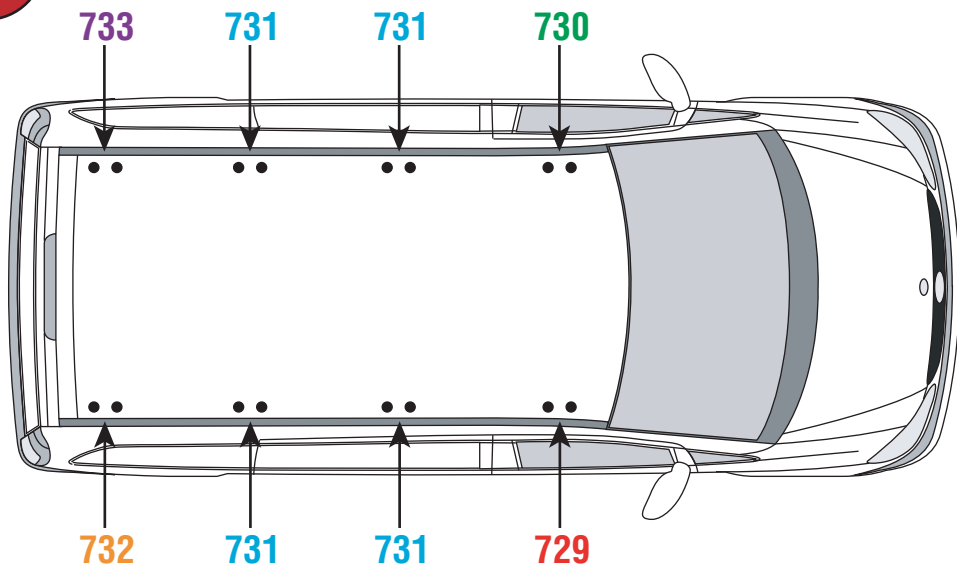
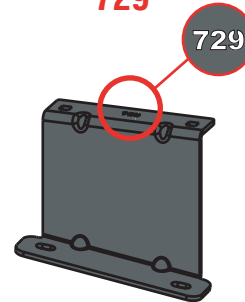
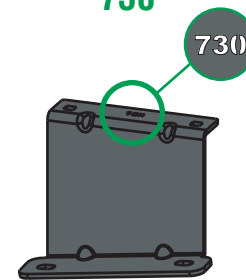
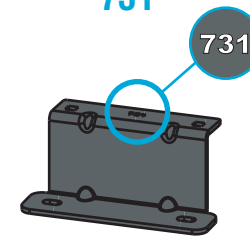
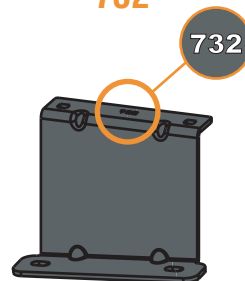
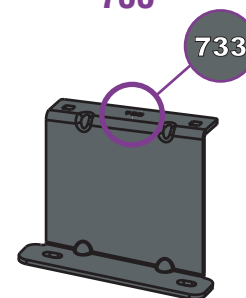
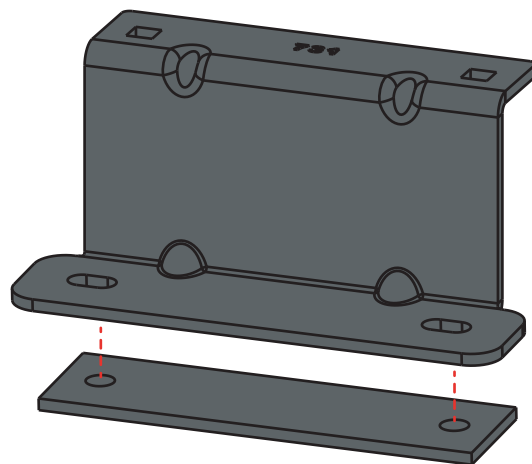
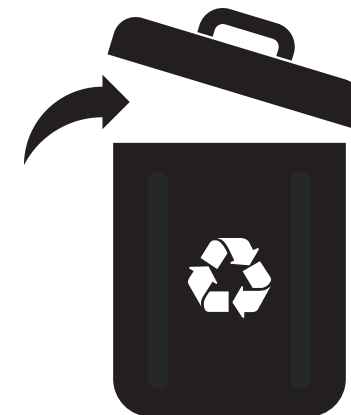
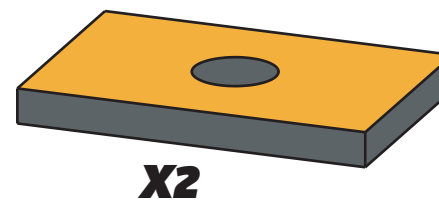


**03**



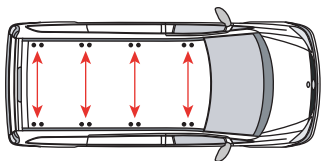
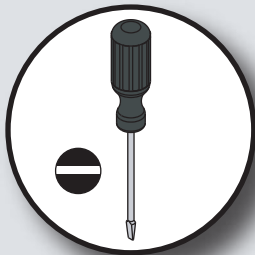
**11Nm**



**05****729****730****731****732****733****06****07**

EN - STICK GASKETS TO ALL BRACKETS  
 DE - KLEBEN SIE DIE DICHTUNG AN ALLEN HALTERUNGEN  
 FR - COUSSINETS ADHÉSIFS À TOUS LES SUPPORTS  
 NL - PLAK PAKKING OP ALLE BEUGELS  
 ES - PEGA LAS ALMOHADILLAS A TODOS LOS SOPORTES  
 IT - ADESIVI GUARNIZIONI A TUTTE LE STAFFE

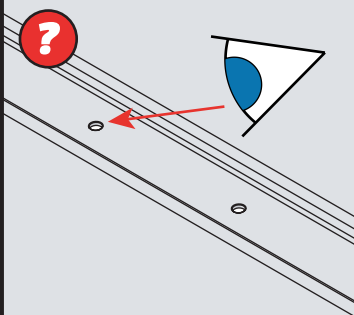
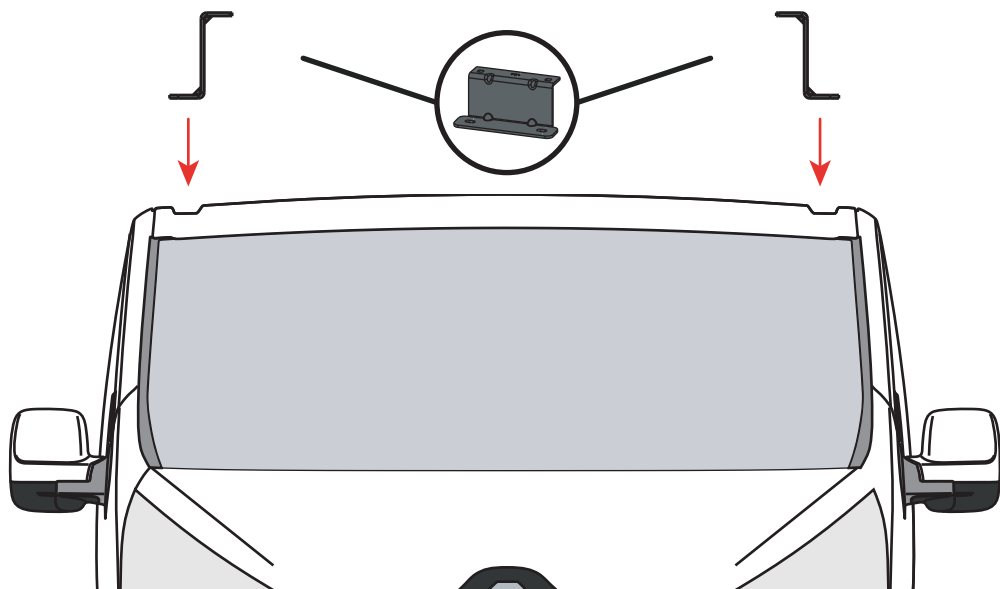
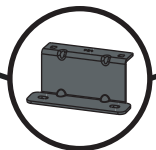
SV - FÄST GUMMI PÅ ALLA FÄSTEN  
 DA - KLÆB GUMMI PÅ ALLE BESLAG  
 NO - PLIST GUMMI PÅ ALLE BRACKETTER  
 PL - NAKLEJ USZCZELKI DO WSZYSTKICH WSPORNIKÓW  
 CS - PŘILEPTE TĚSNĚNÍ NA VŠECHNY DRŽÁKY

**08****X16****09****A**  
(10 & 11)**B**  
(10 & 11)**C**  
(10, 11 & 12)

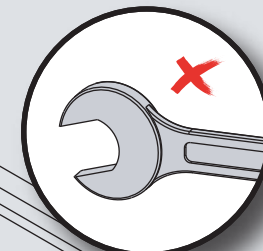
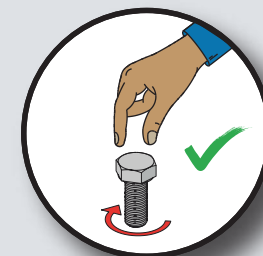
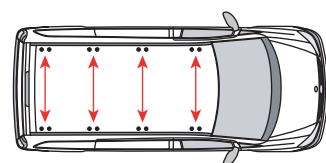
15 - 20mm

25 - 30mm

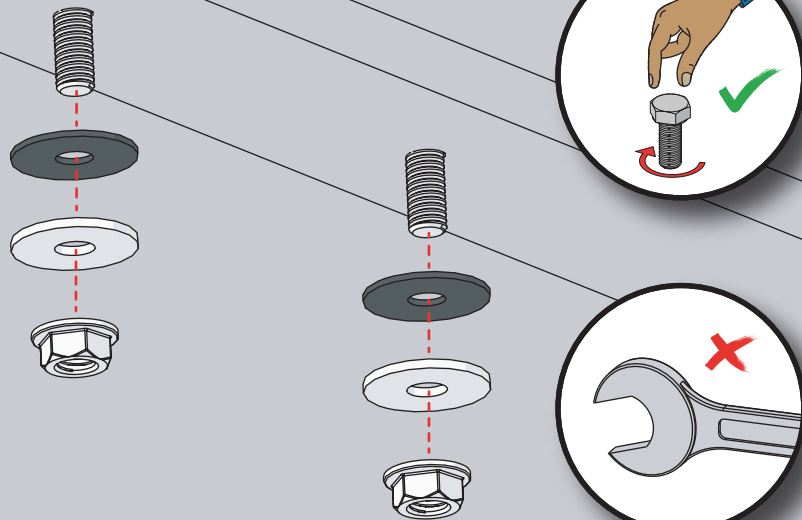
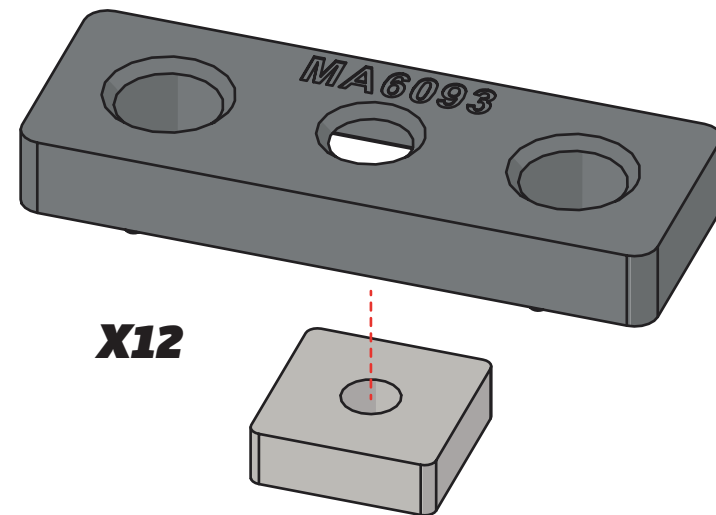
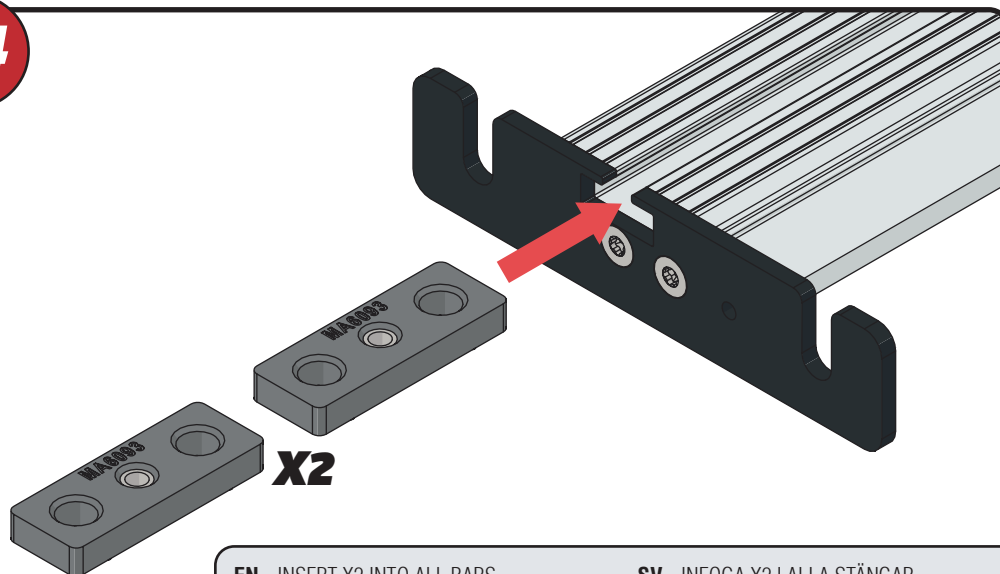
EN: CHECK THE VEHICLE FIXING POINTS AND FOLLOW THE RELEVANT STEPS  
 DE: ÜBERPRÜFEN SIE DIE BEFESTIGUNGSPUNKTE UND BEFOLGEN SIE DIE RELEVANTEN SCHRITTE  
 FR: VÉRIFIER LES POINTS DE FIXATION ET SUIVRE LES ÉTAPES PERTINENTES  
 NL: CONTROLEER DE BEVESTIGINGSPUNTEN VAN HET VOERTUIG EN VOLG RELEVANTE STAPPEN  
 ES: CONSULTE LOS PUNTOS DE FIJACIÓN DEL VEHÍCULO Y SIGA LOS PASOS CORRESPONDIENTES  
 IT: CONTROLLARE I PUNTI DI FISSAGGIO DEL VEICOLO E SEGUIRE I PASSAGGI RELATIVI  
 SV: KONTROLLERA FORDONS FASTPUNKT OCH FÖLJ RELEVANTA STEG  
 DA: KONTROLLER KØRETØJETS FASTSÆTNINGSPUNKTER, OG FØLG RELEVANTE TRIN  
 NO: KONTROLLER KJØRETØYETS FESTEPUNKTER OG FØLG RELEVANTE TRINN  
 PL: SPRAWDŹ PUNKTY MOCOWANIA POJAZDU I WYKONAJ ODPOWIEDNIE KROKI  
 CS: ZKONTROLUJTE UPEVNŔOVACÍ BODY VOZIDLA A DODRŔUJTE PŘÍSLUŠNÉ KROKY

**10****A, B, C****11****A, B, C****X8**

**A** = M6X16  
**B** = M6X25  
**C** = M6X25

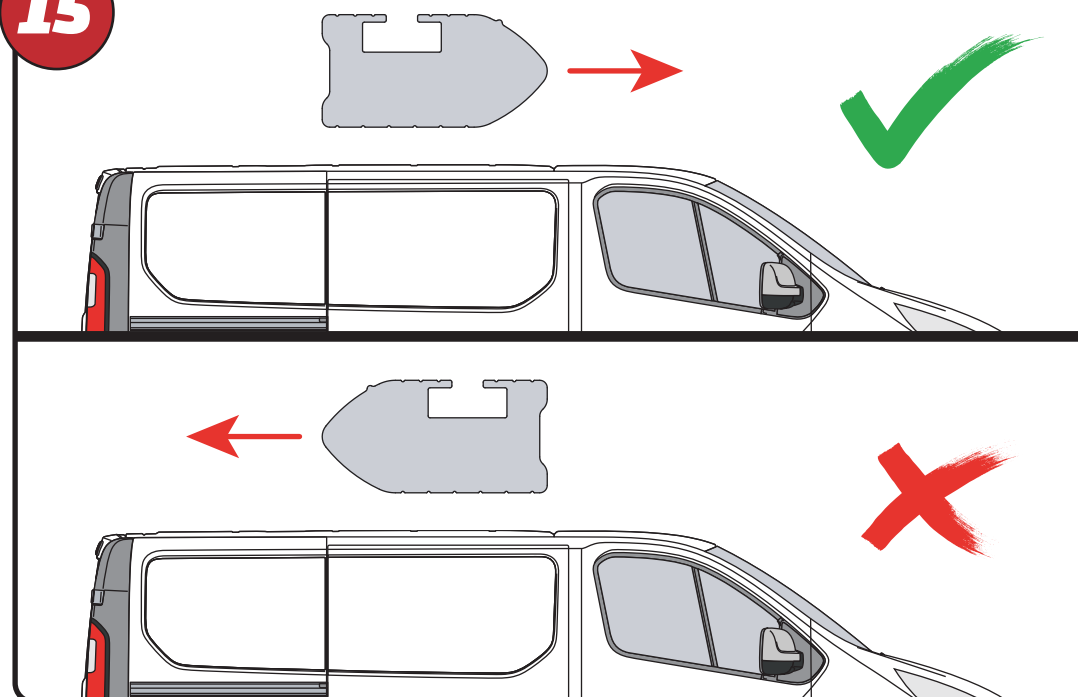




**12****C****13****14**

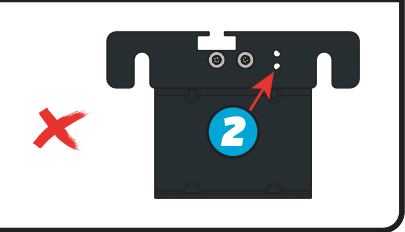
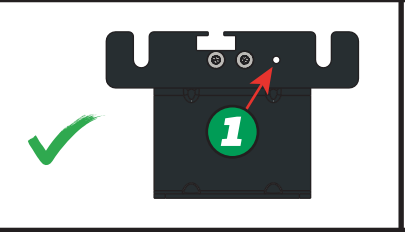
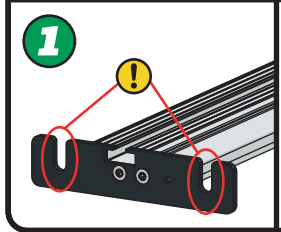
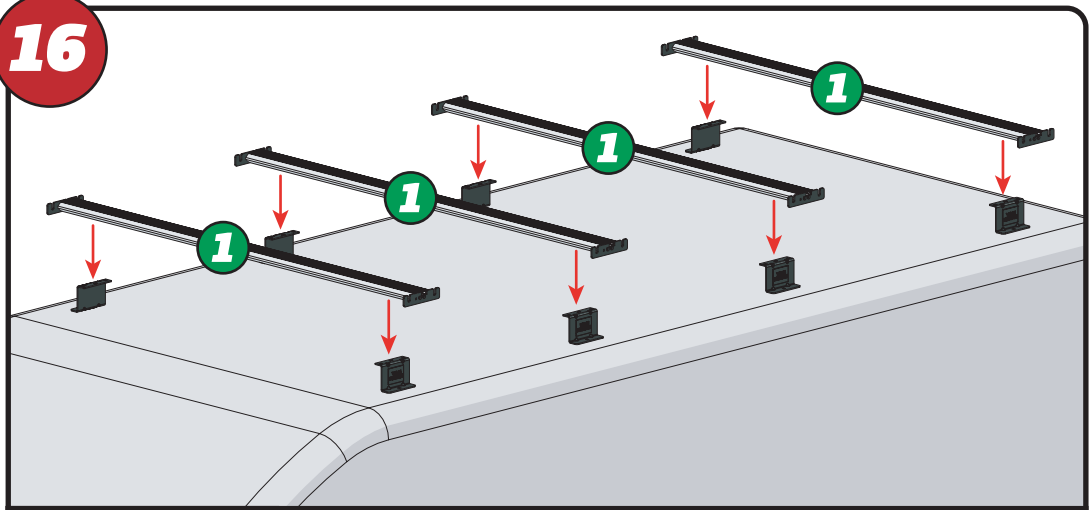
EN - INSERT X2 INTO ALL BARS  
 DE - X2 IN ALLE STANGEN EINFÜGEN  
 FR - INSÉRER X2 DANS TOUTES LES BARRES  
 NL - PLAATS X2 IN ALLE BARS  
 ES - INSERTAR X2 EN TODAS LAS BARRAS  
 IT - INSERIRE X2 IN TUTTE LE BARRE

SV - INFOGA X2 I ALLA STÄNGAR  
 DA - INDSÆT X2 I ALLE STÆNGER  
 NO - SETT X2 INN I ALLE TAKSTENGER  
 PL - WSTAW X2 DO WSZYSTKICH PRĘTÓW  
 CS - VLOŽTE X2 DO VŠECH TYČÍ

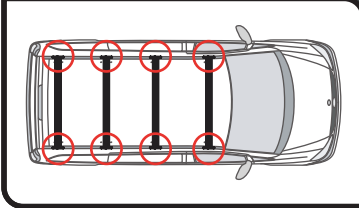
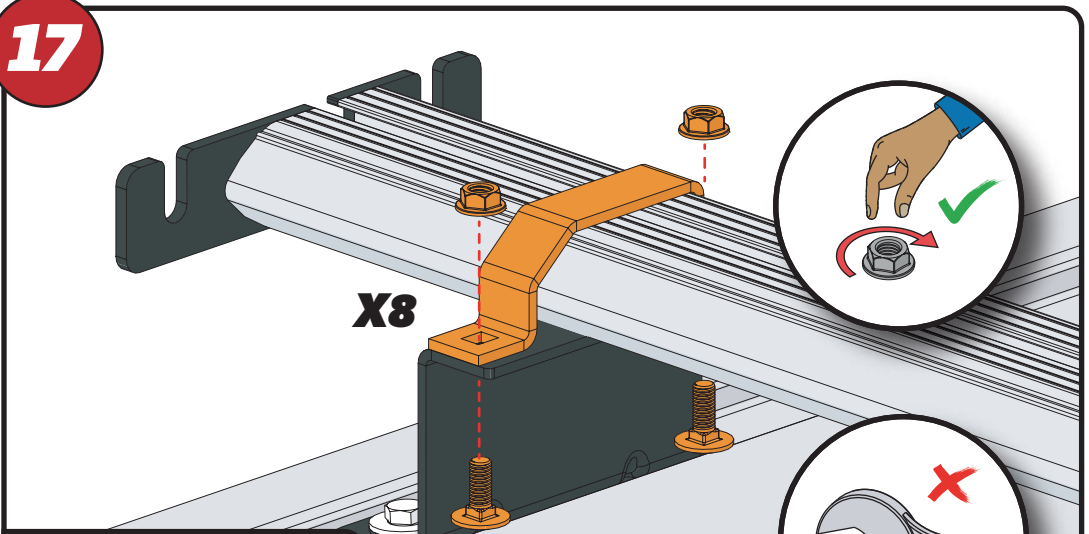
**15**



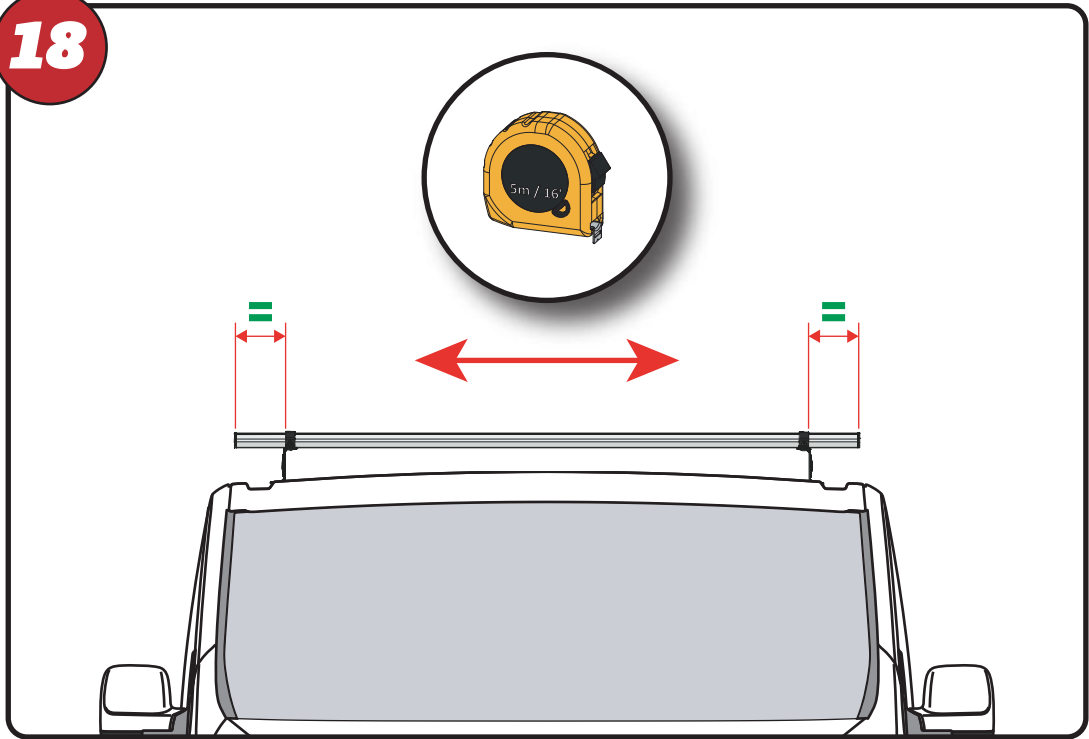
16



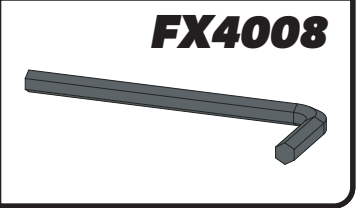
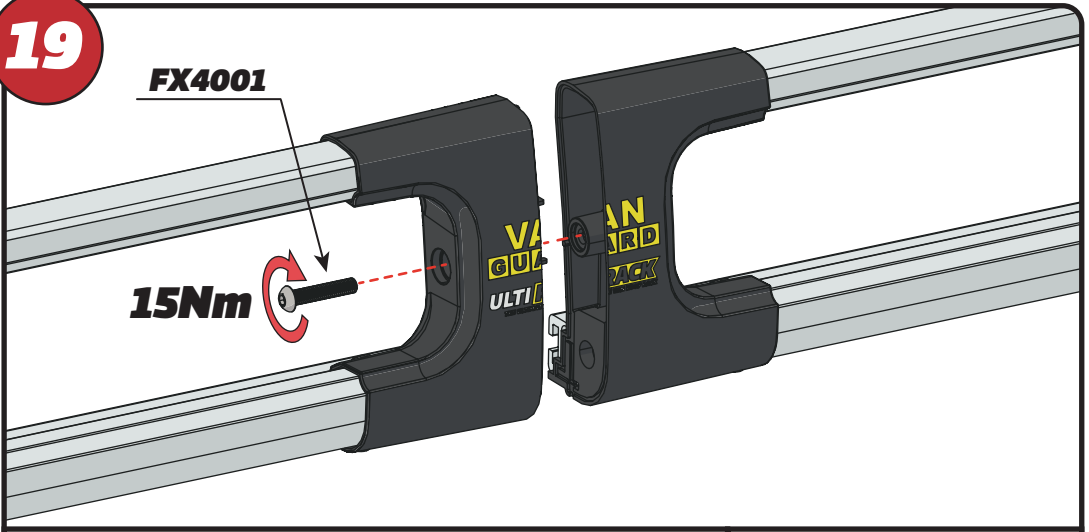
17



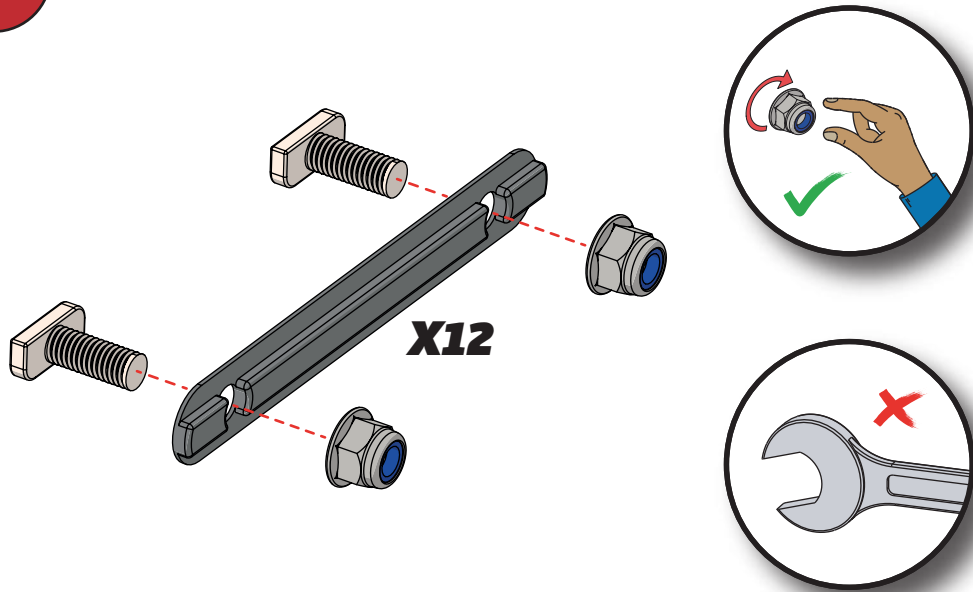
18



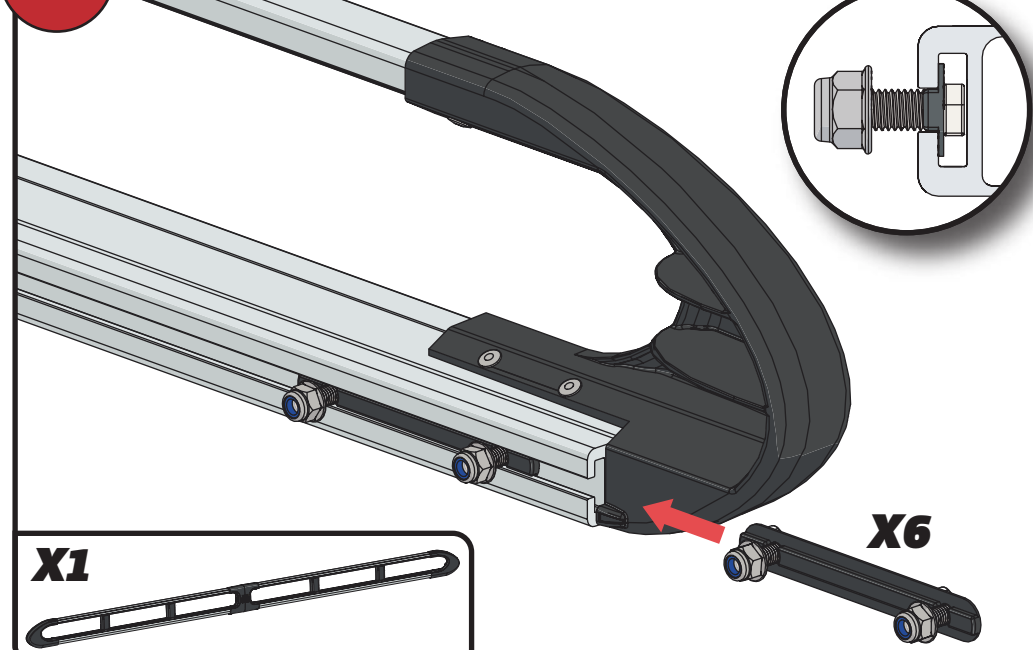
19



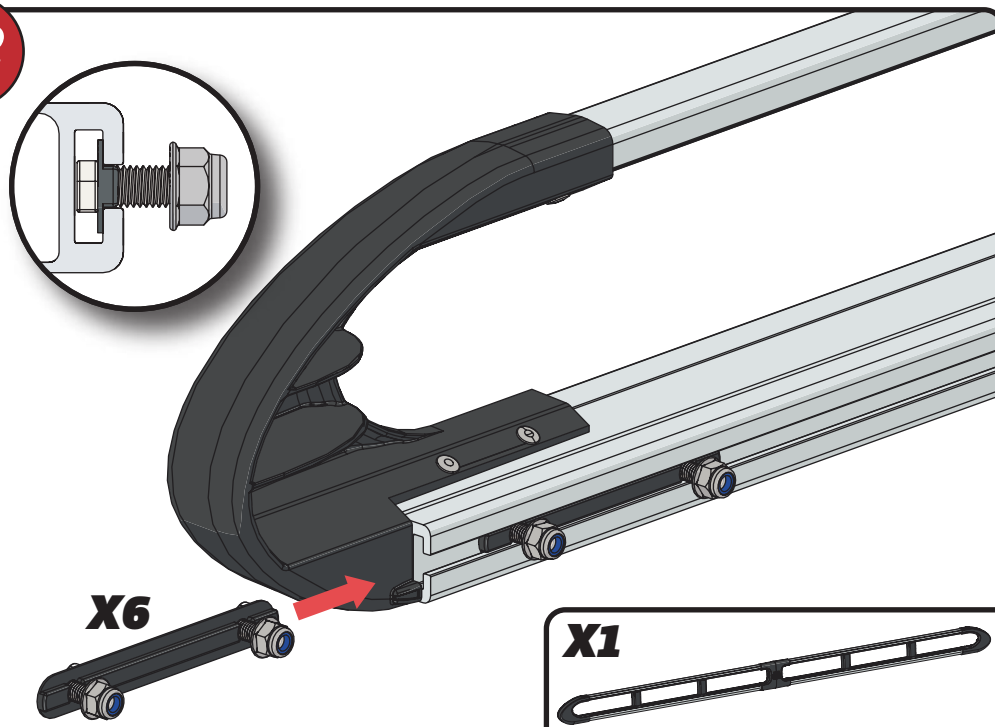
20



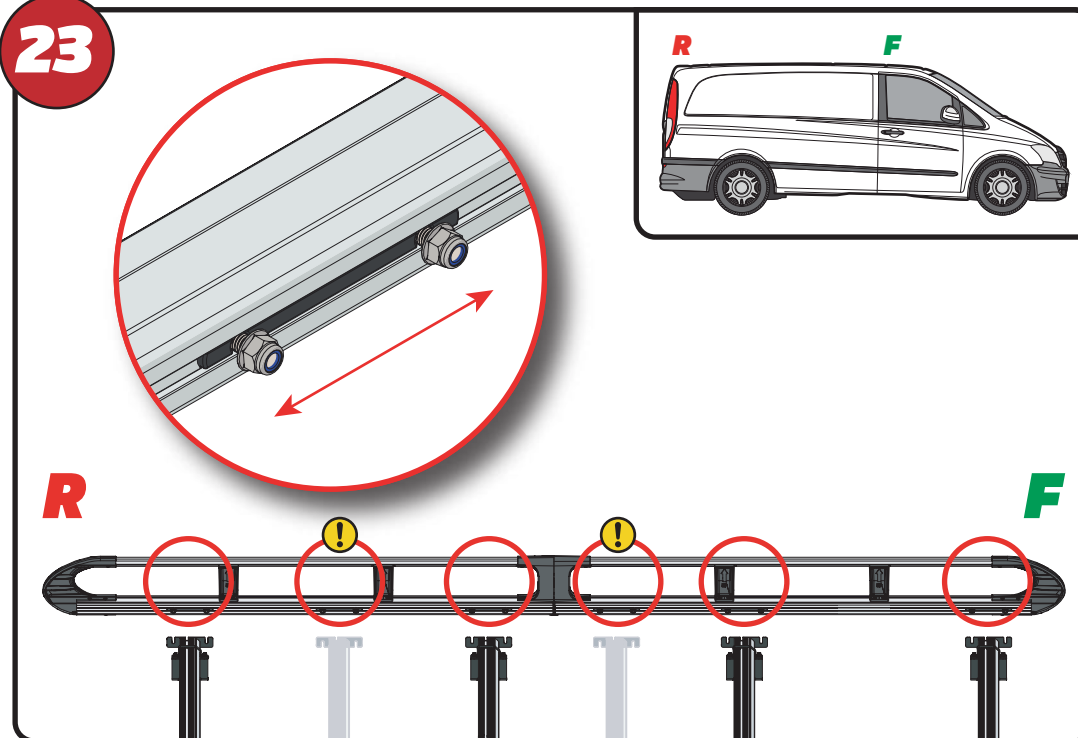
21



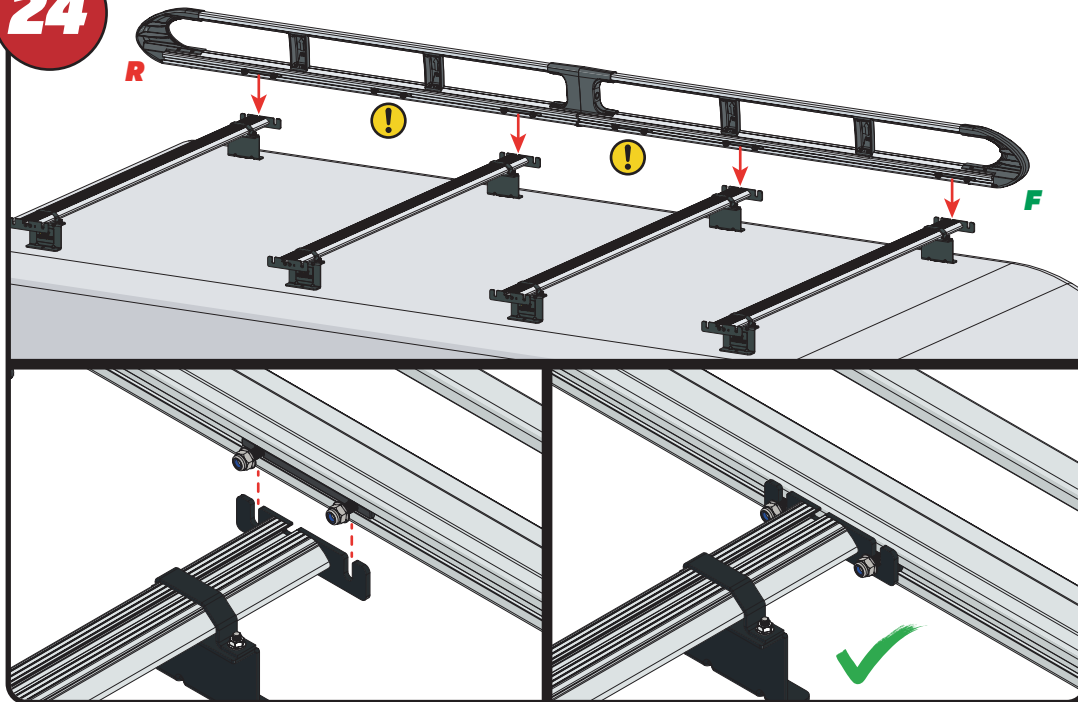
22



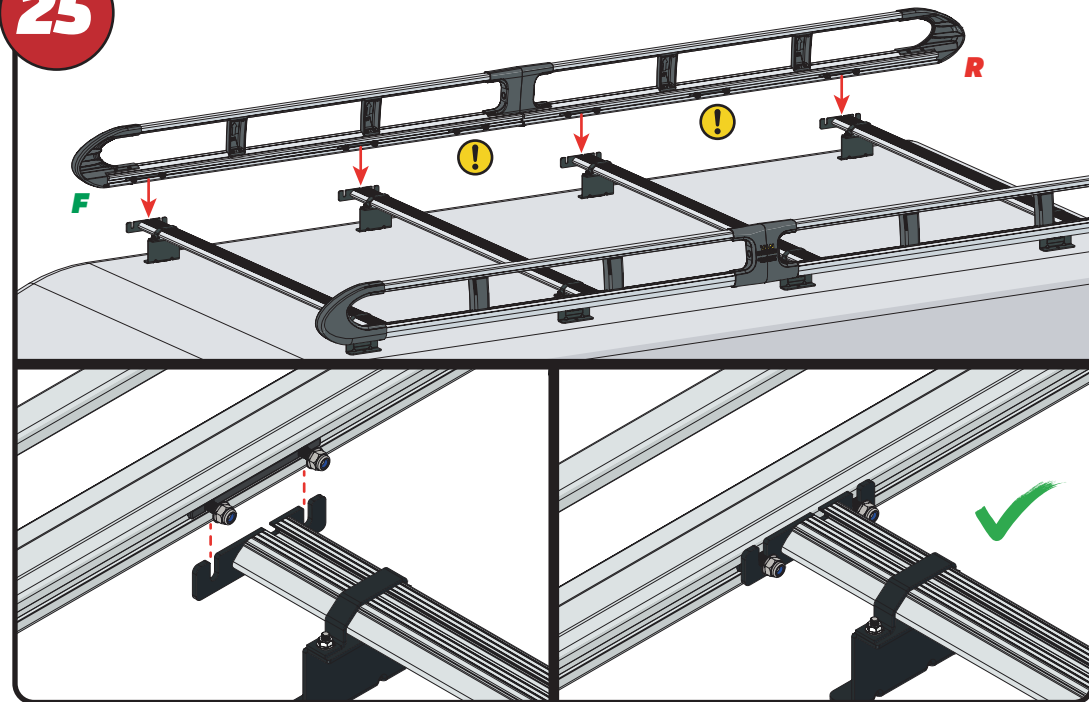
23



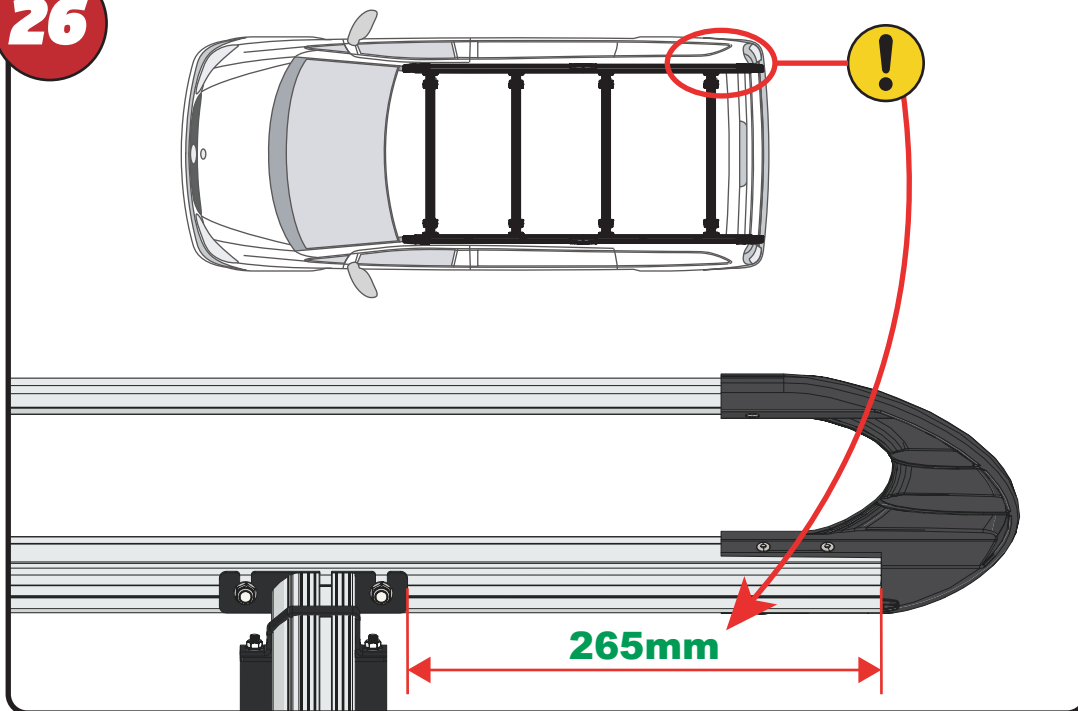
24



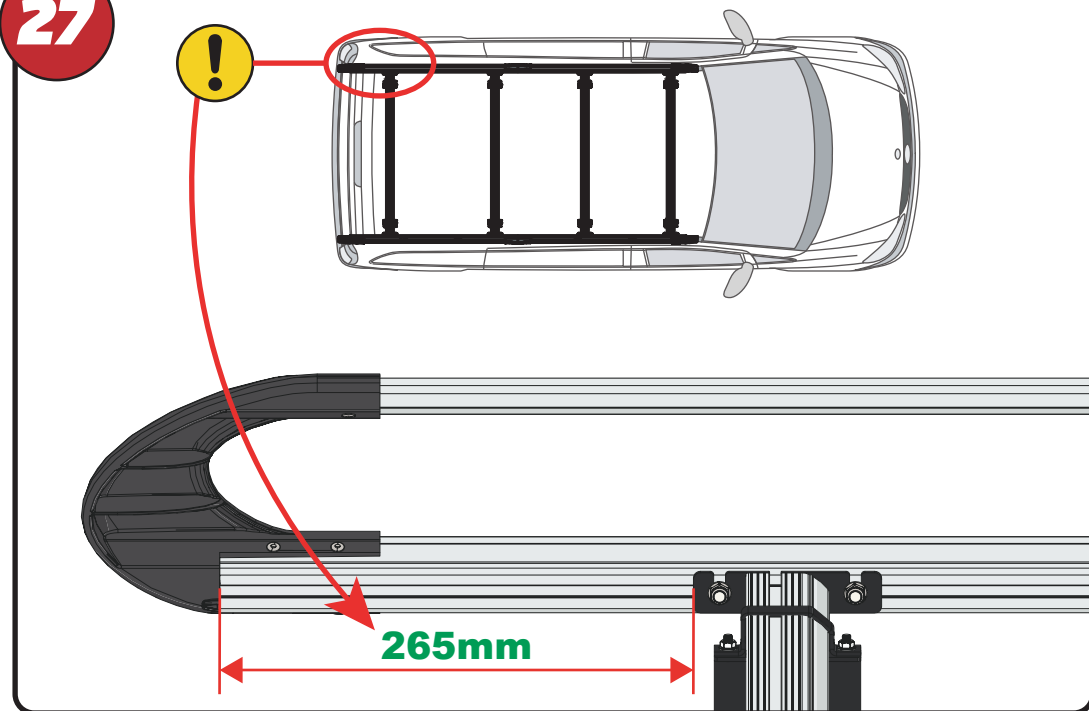
25

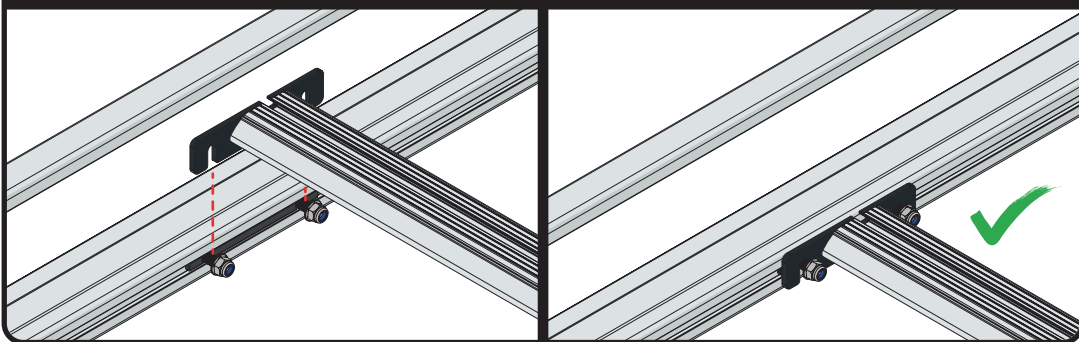
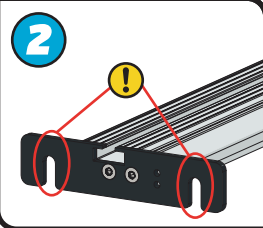
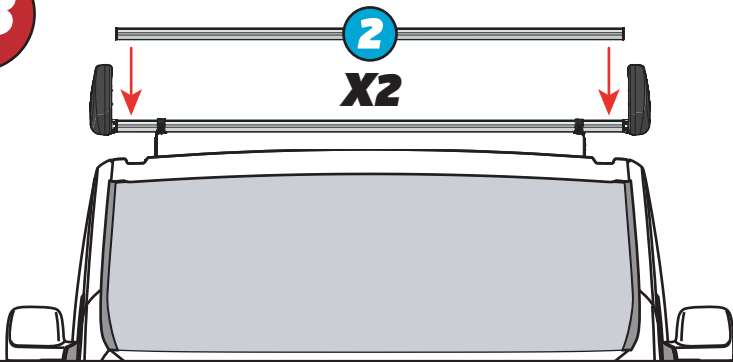


26

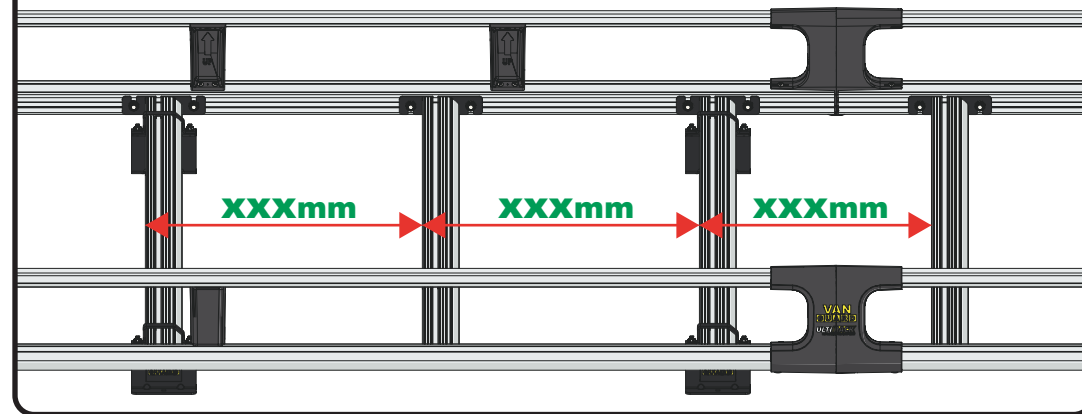
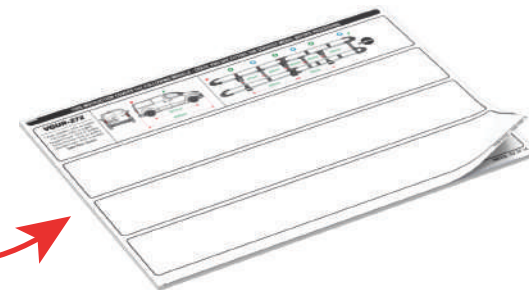
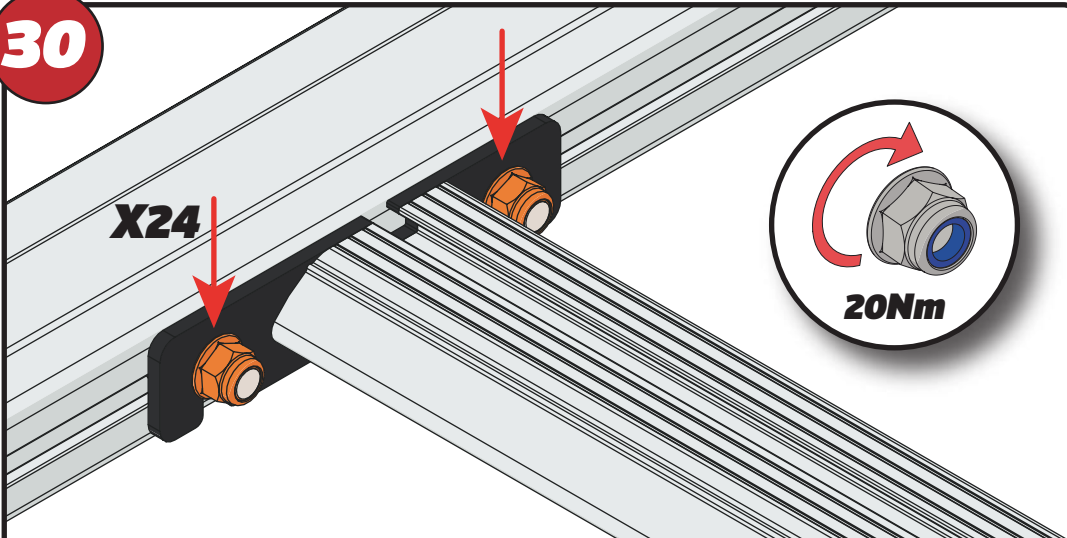


27



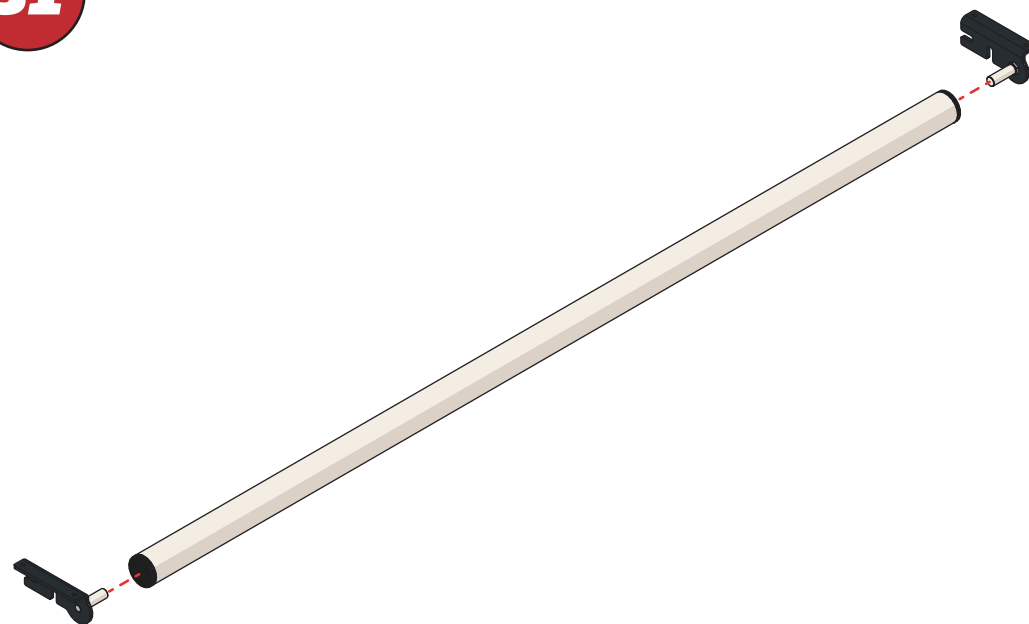
**28****29**

XXX =  
PAGE 2 OF 15

**30**

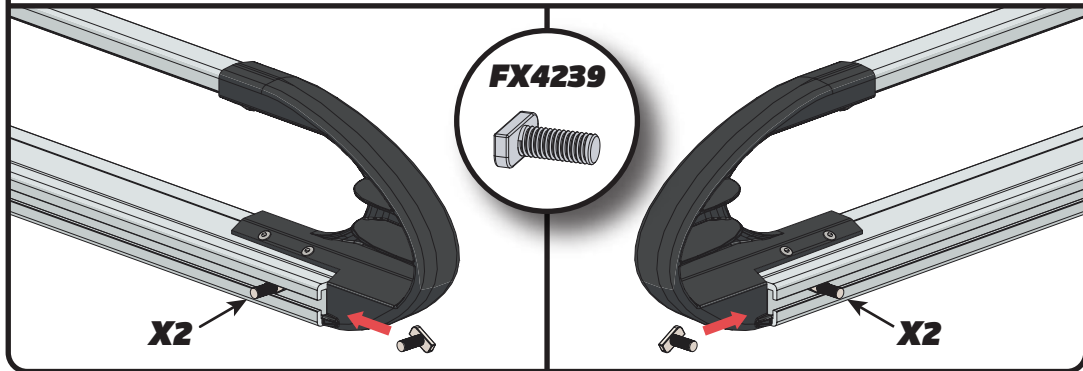
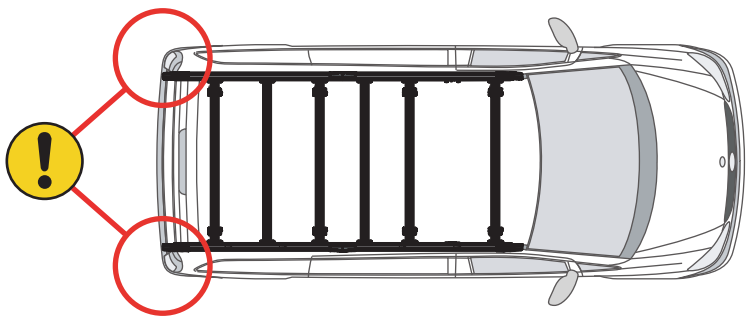
EN - TIGHTEN ALL OF THE CROSS BARS  
 DE - ALLE QUERSTANGEN FESTZIEHEN  
 FR - SERREZ TOUTES LES BARRES TRANSVERSALES  
 NL - DRAAI ALLE DWARSBALK VAN HET DAK AAN  
 ES - APRIETE TODAS LAS BARRAS TRANSVERSALES  
 IT - STRINGERE TUTTE LE BARRE TRASVERSALI

SV - SKRU UPP ALLA KORSSTANGAR  
 DA - SKRU ALLE TAGBØJLER OP  
 NO - SKRU OPP ALLE TVERRSTENGER  
 PL - DOKRĘCIĆ WSZYSTKIE POPRZECZKI  
 CS - VŠECHNY PŘÍČNÉ TYČE SEŠROUJTE

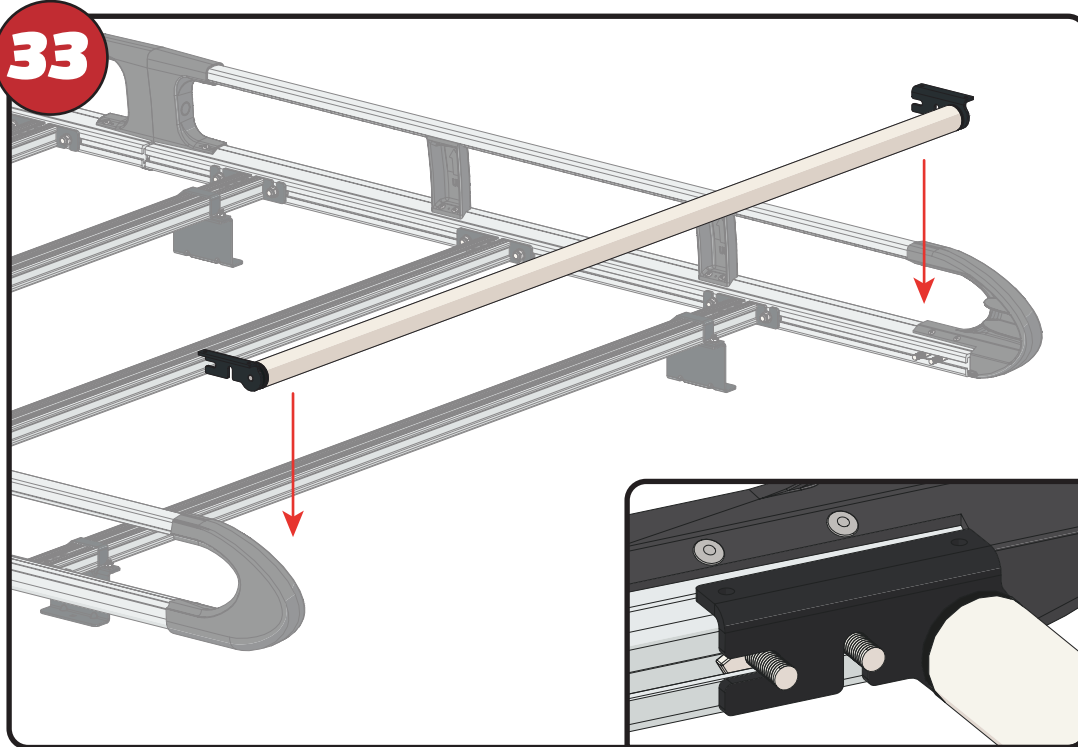
**31**



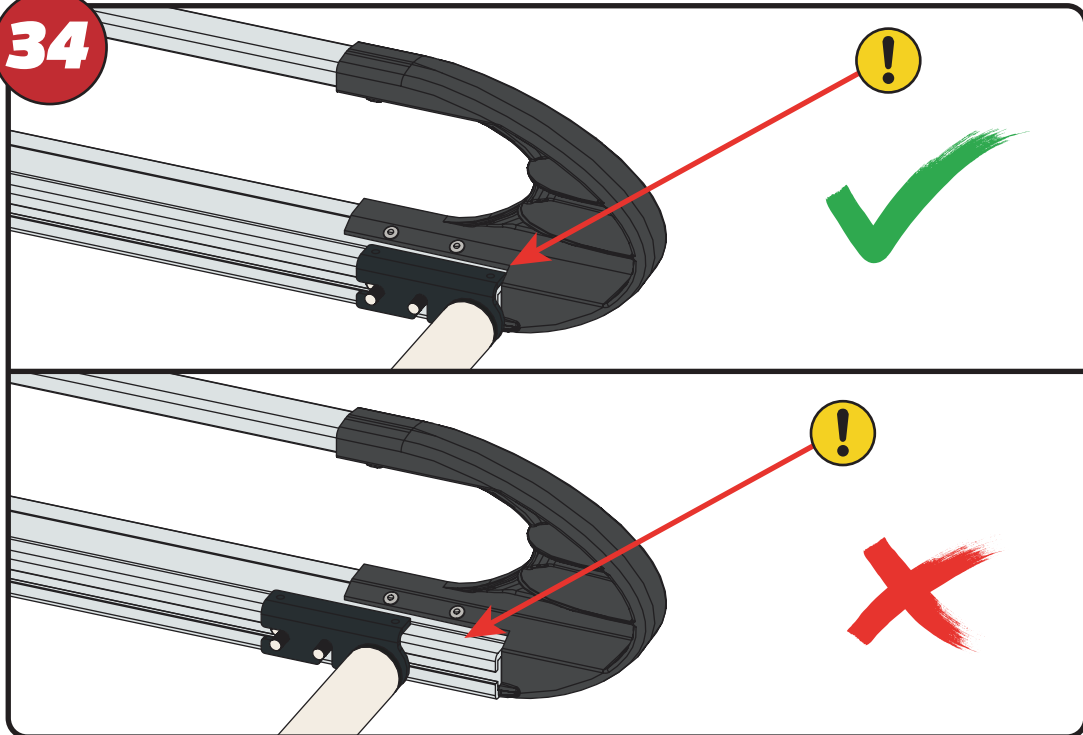
32



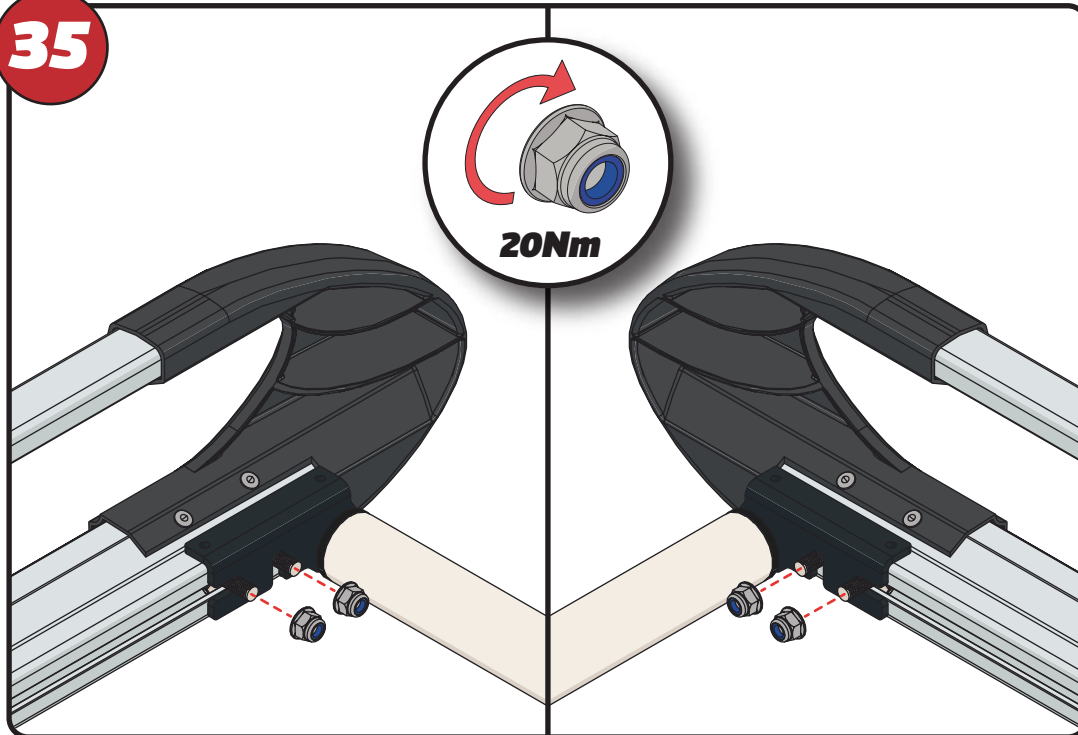
33



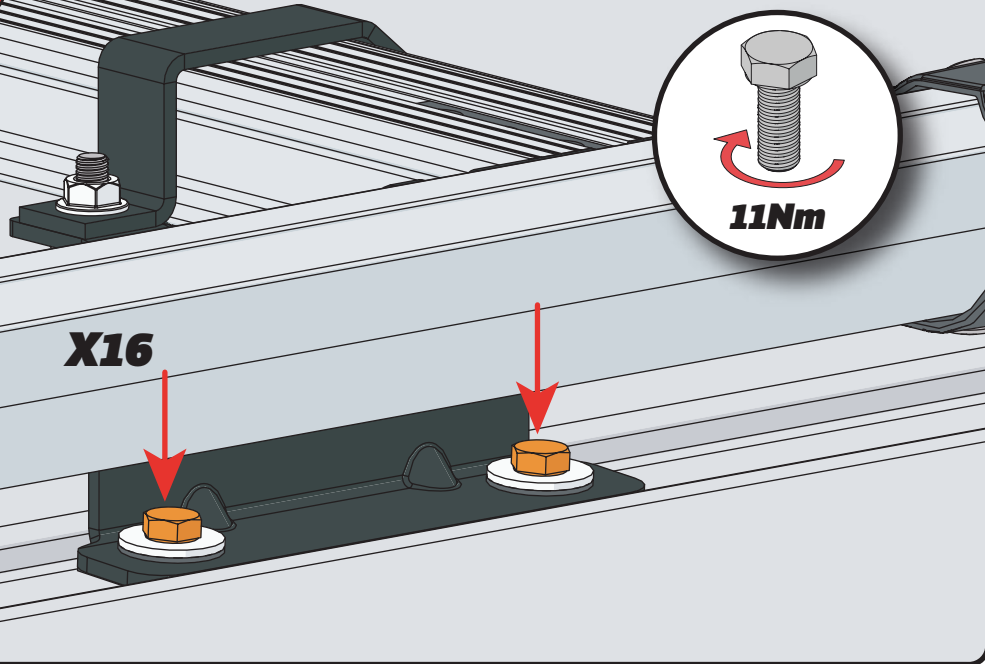
34



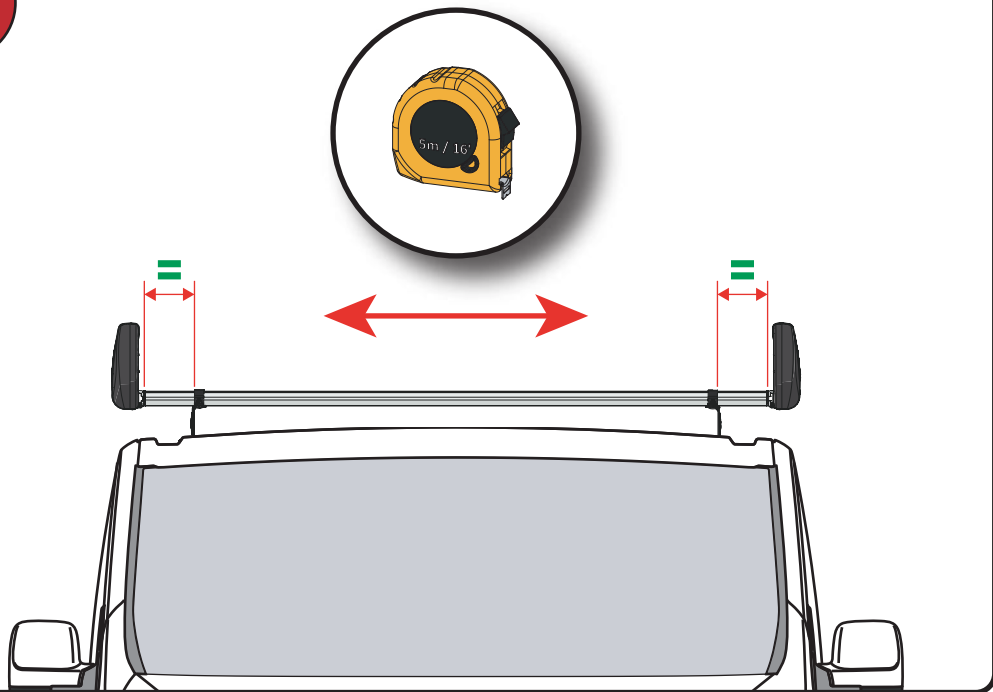
35



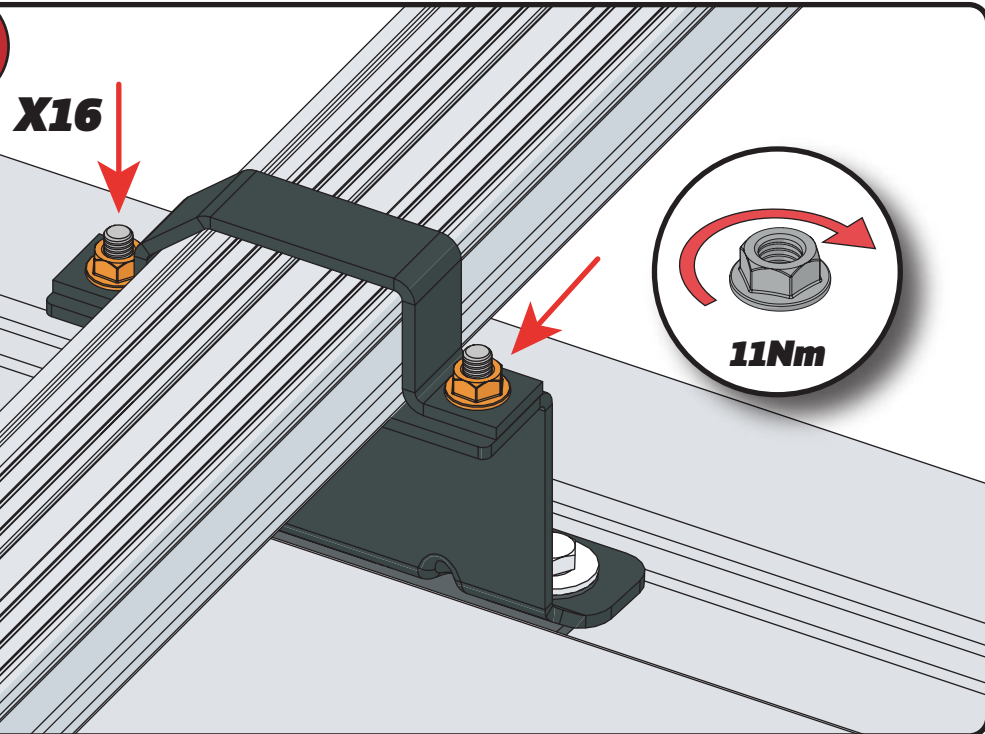
36



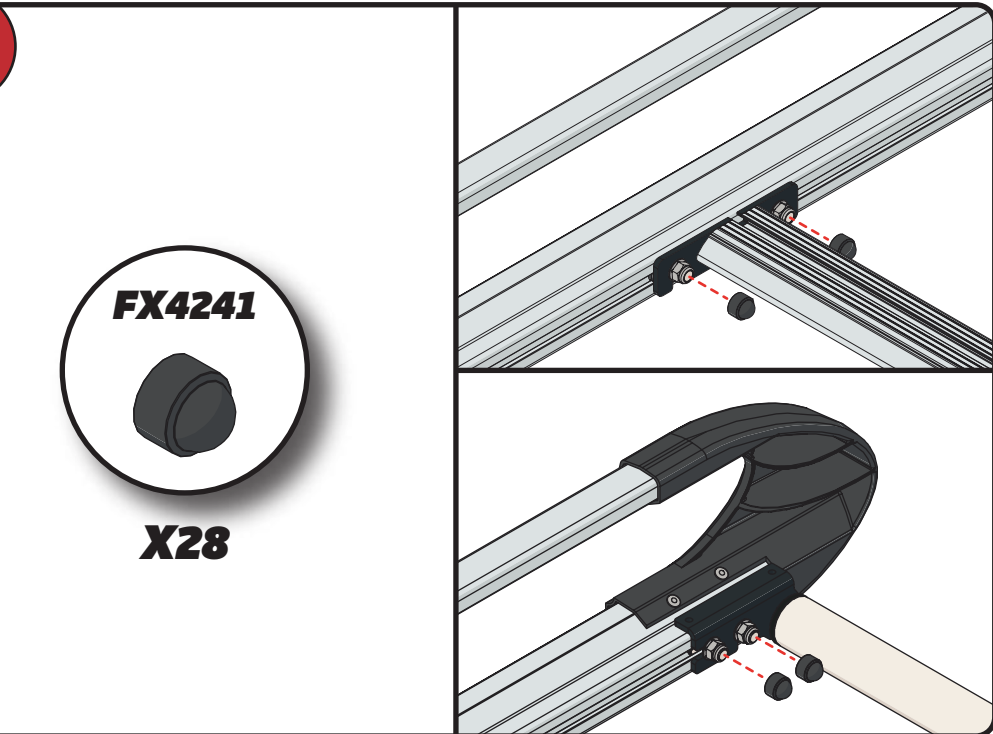
37



38

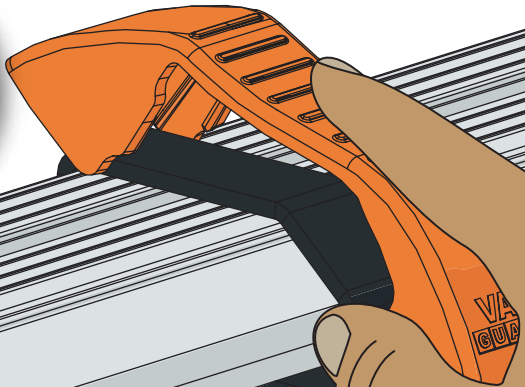


39



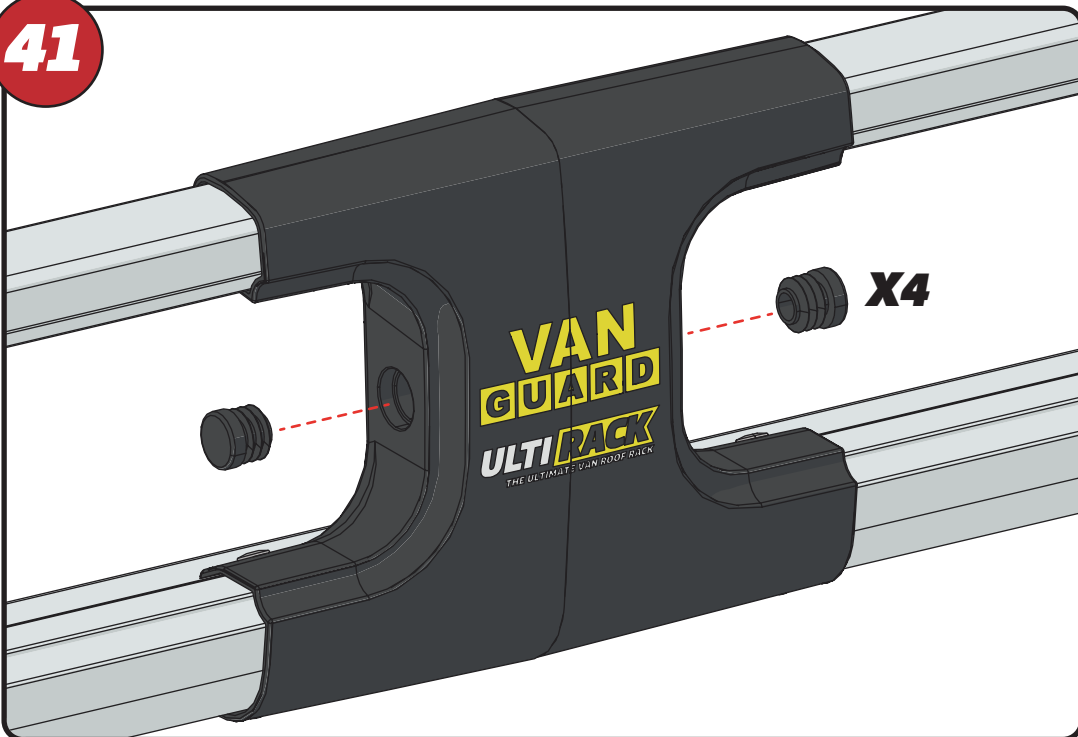
40

X8



41

X4



42

