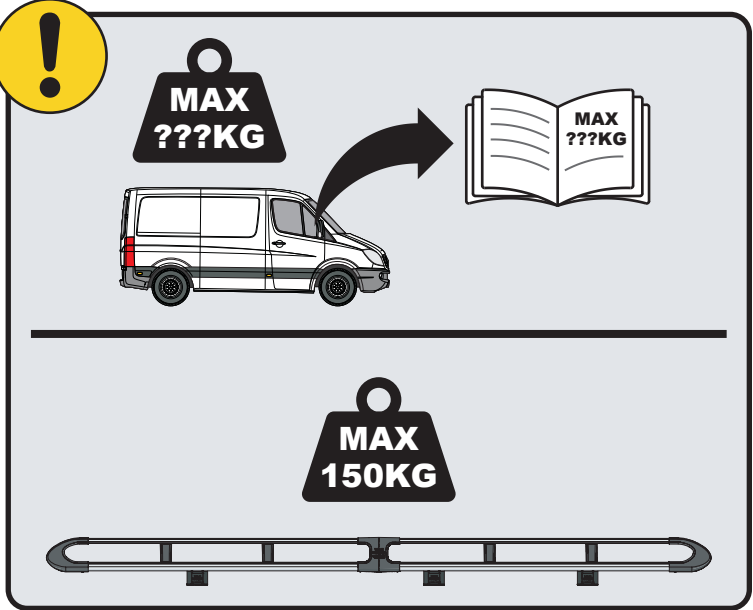
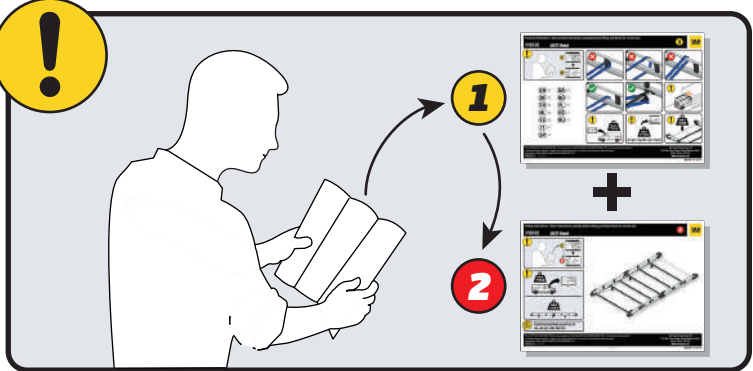


IN8307

ULTI Rack+



 Customercare@van-guard.co.uk
UK +44 (0) 1392 368 351



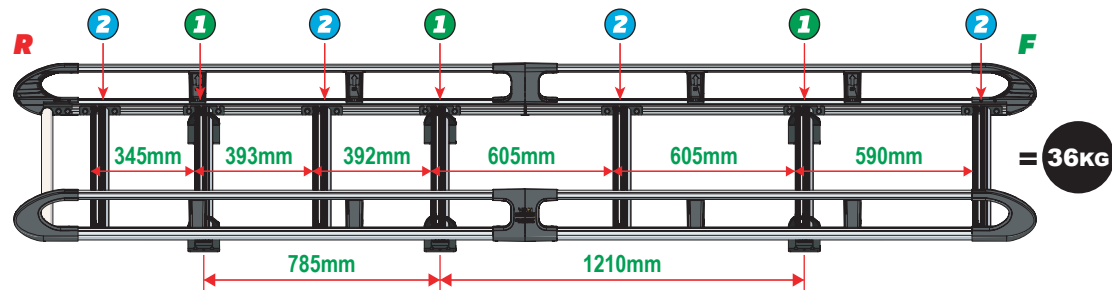
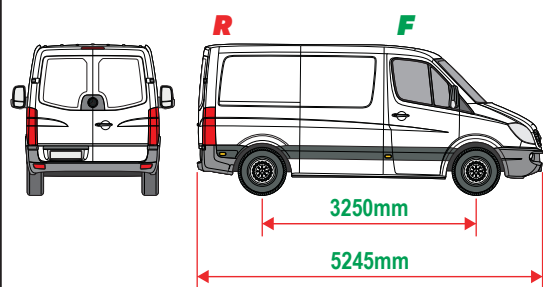
This FITTING INSTRUCTION is the property of VAN GUARD ACCESSORIES LTD. and must not be used for manufacturing purposes, copied nor communicated in any way to third parties without written permission from VAN GUARD ACCESSORIES LTD.
IN8307_B (CN:00356)

Van Guard Accessories Ltd
Fair Oak Close, Exeter Airport Business Park,
Exeter, Devon, EX5 2UL
www.van-guard.co.uk

THIS INSTRUCTION COVERS THE FOLLOWING MODELS - CHECK YOU ARE FITTING THE CORRECT MODEL BEFORE PROCEEDING

VGUR-236

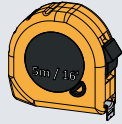
Mercedes Sprinter: 2006 on
Volkswagen Crafter: 2007-2017
L1H1 (SWB)
Twin Rear Doors



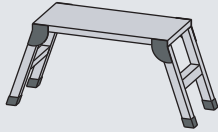
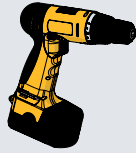
SUPPLIED COMPONENTS - CHECK ALL PARTS ARE PRESENT AND CORRECT BEFORE PROCEEDING (1 OF 2)

TOOLS REQUIRED

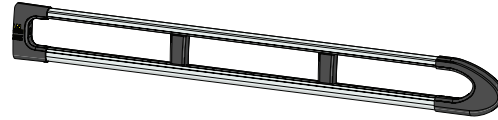
10MM X1



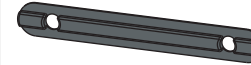
13MM X1



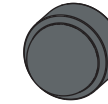
AS3543 X2
(3200 / A)



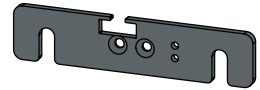
MA6118 X14



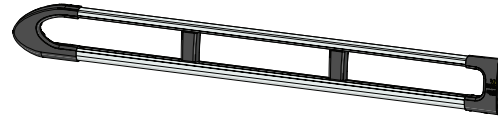
FX4241 X32



ME1622 X4



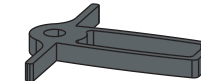
AS3542 X2
(3200 / B)



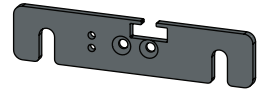
FX4008 X1



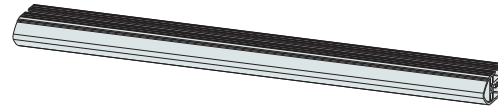
MA6145 X1



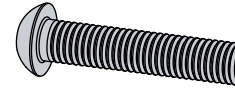
ME1623 X4



ME1628 X7
(1554mm)



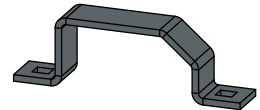
FX4001 X2
(M8X40)



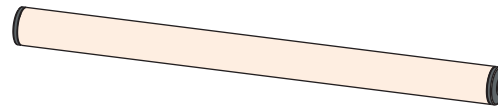
FX4235 X28
(M5X25)



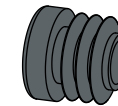
ME0203 X6



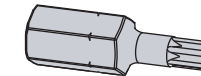
AS3160 X1
(1540mm)



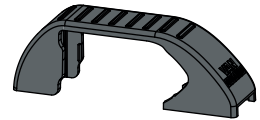
MA6007 X4



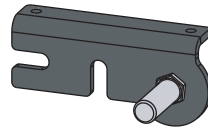
FX4248 X1
(T25)



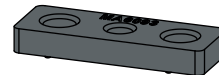
MA6065 X6



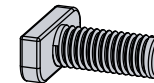
AS3590 X1



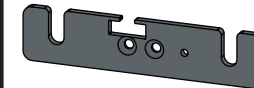
MA6093 X14



FX4239 X32
(M8X20)



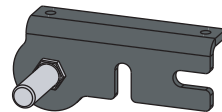
ME1620 X3



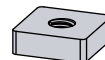
FX4016 X18
(M6)



AS3591 X1



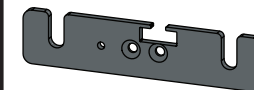
ME0316 X14



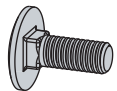
FX4240 X32
(M8)



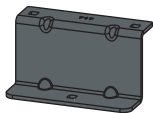
ME1621 X3



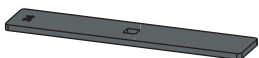
FX4042 X12
(M6X16)



ME0717 X6



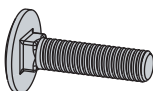
ME0034 X6



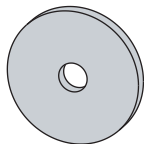
FX4014 X6



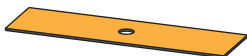
FX4022 X6
(M6X25)



FX4023 X6

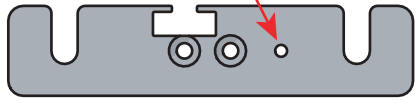


MA6018 X6



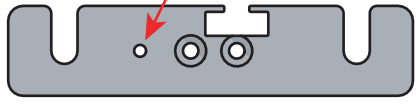
01

1L



X3

1R



X3

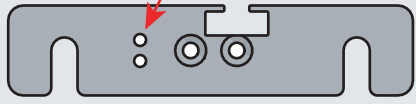


2L



X4

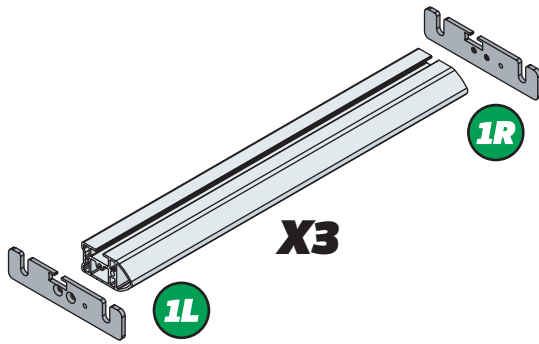
2R



X4

02

1R

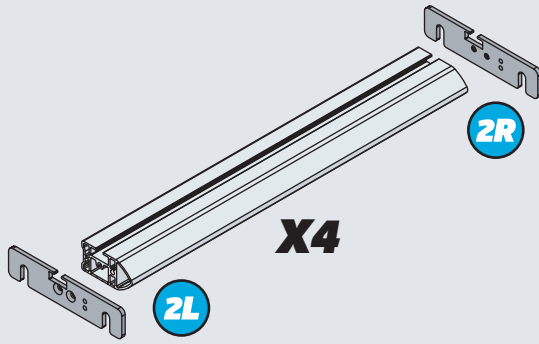


X3

1L



2R



X4

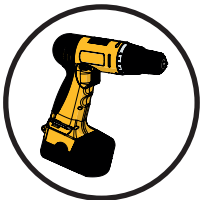
2L



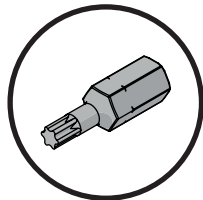
03

01

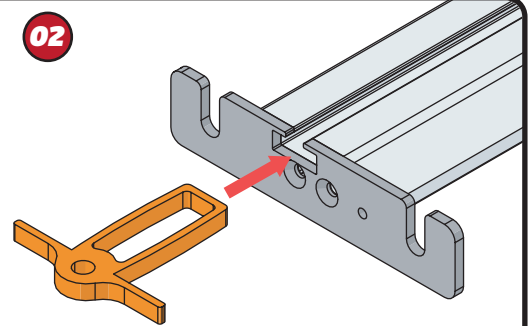
FX4248



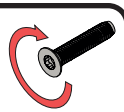
+



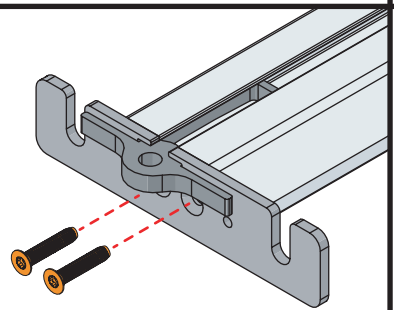
02



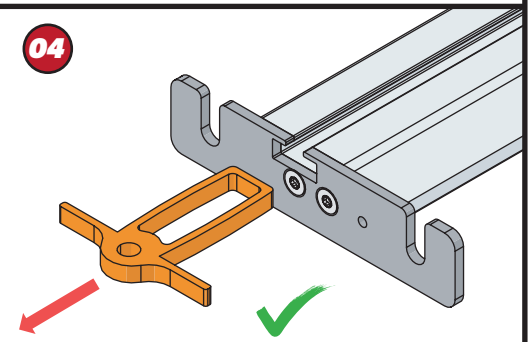
03



11Nm



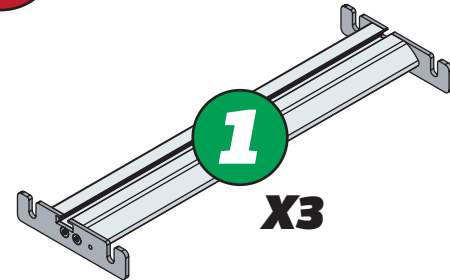
04



04

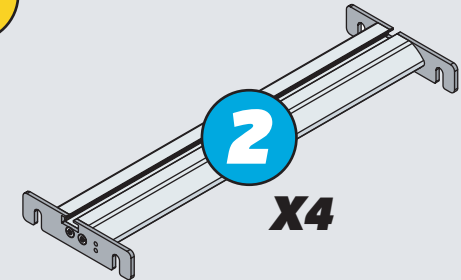


1

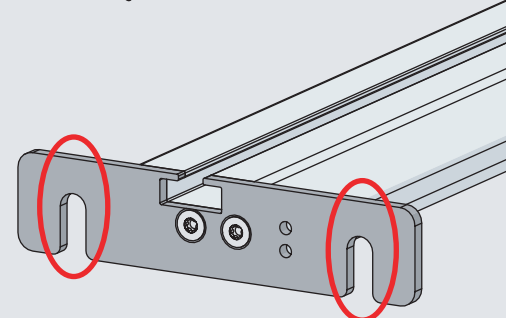
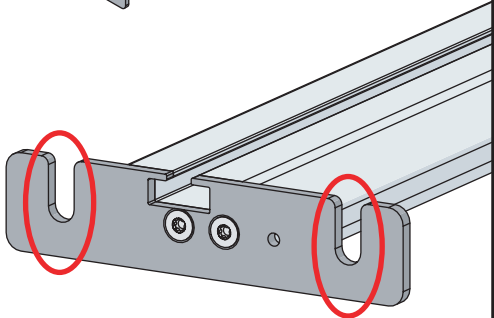


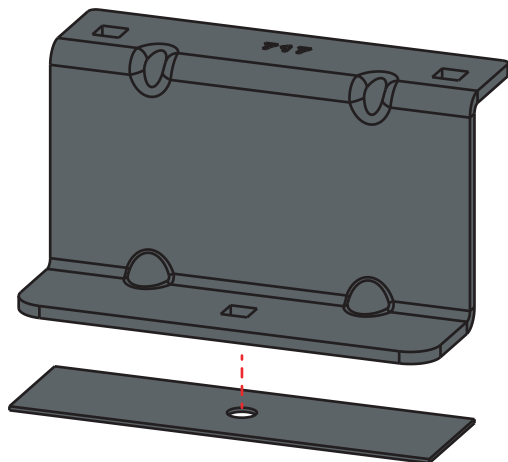
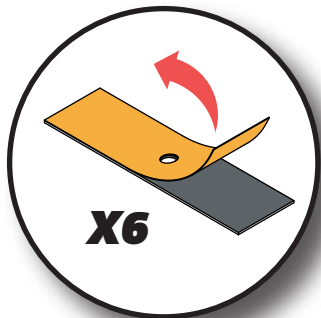
X3

2



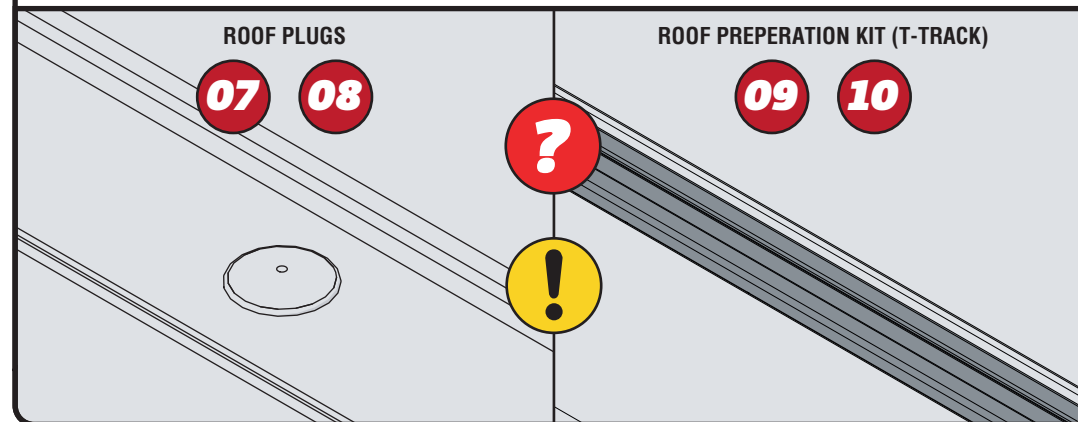
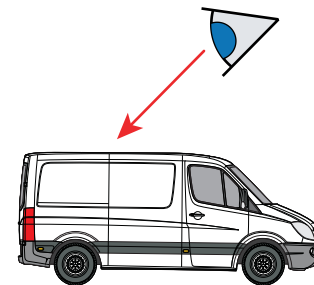
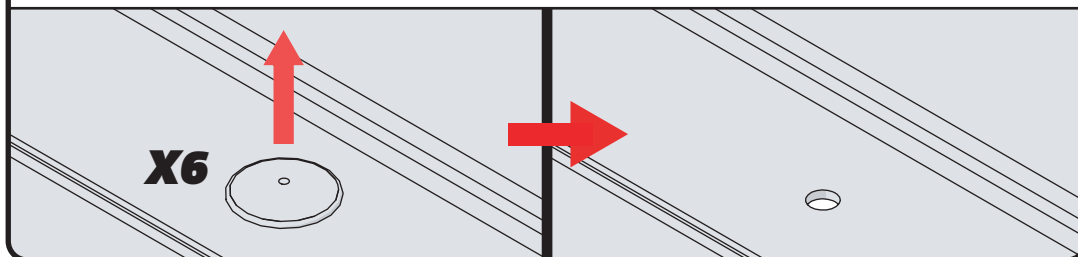
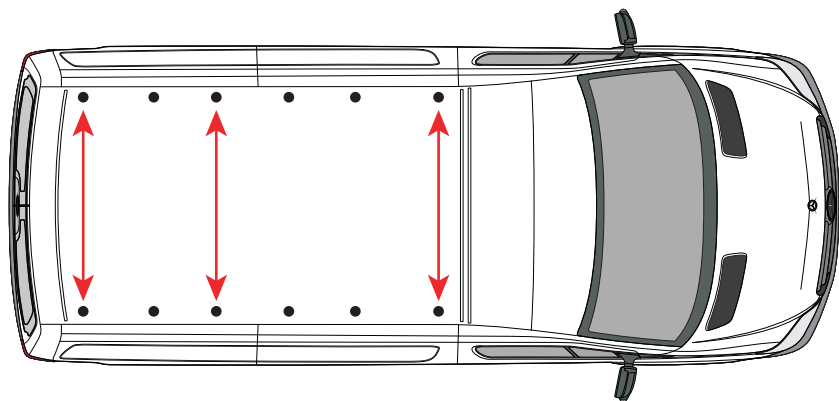
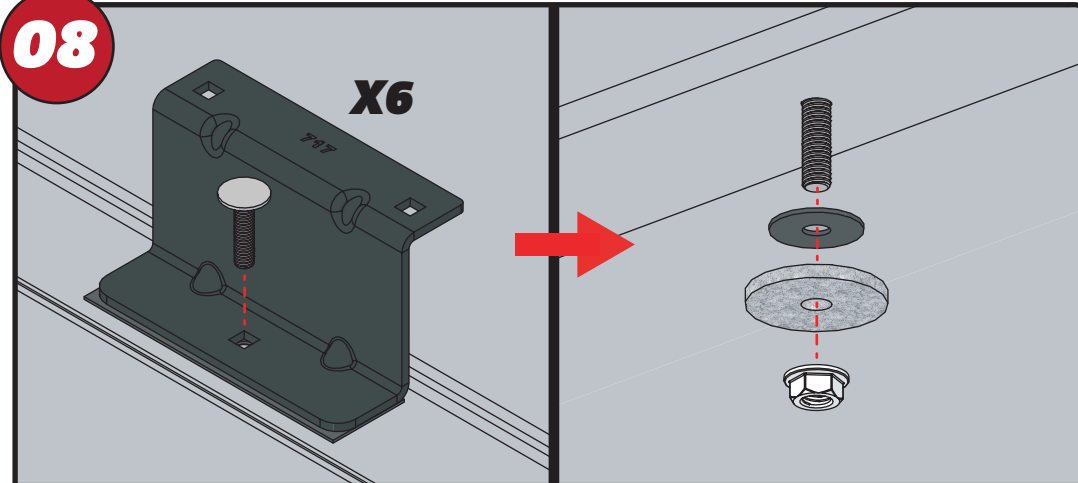
X4

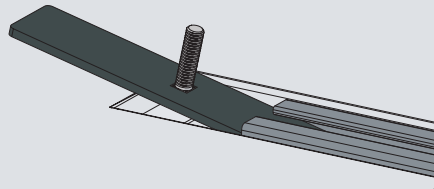
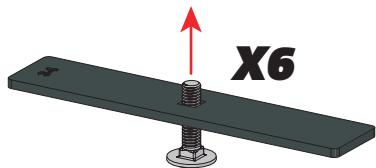
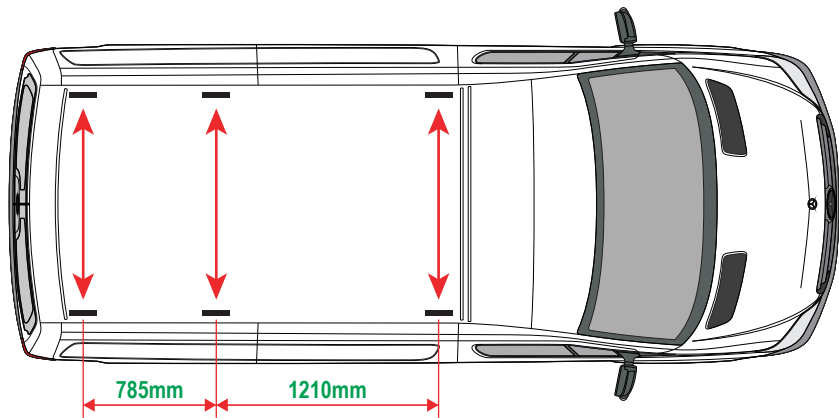
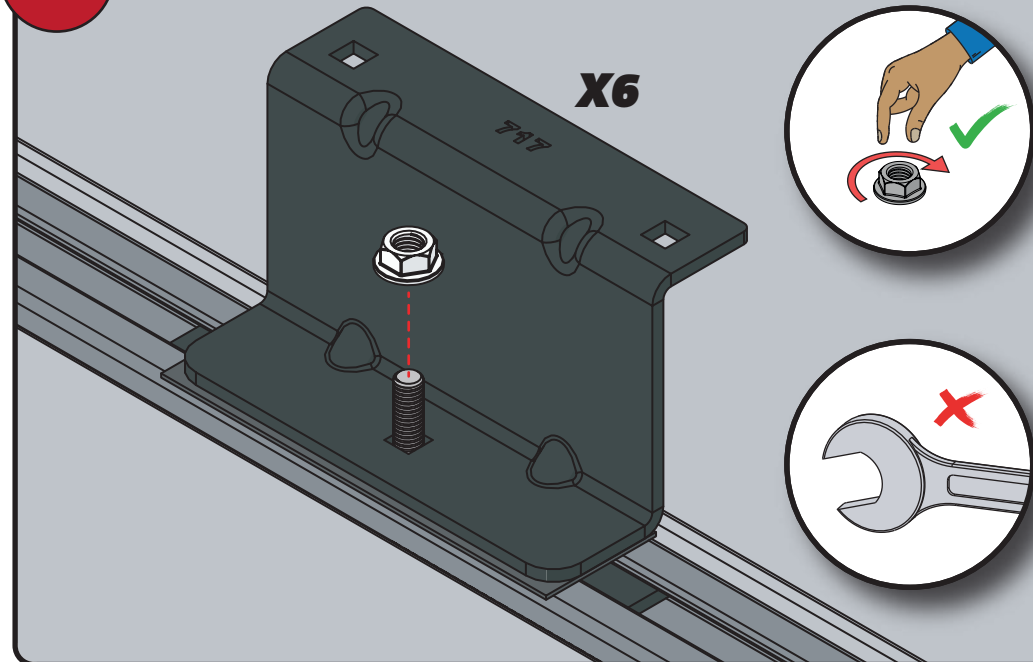
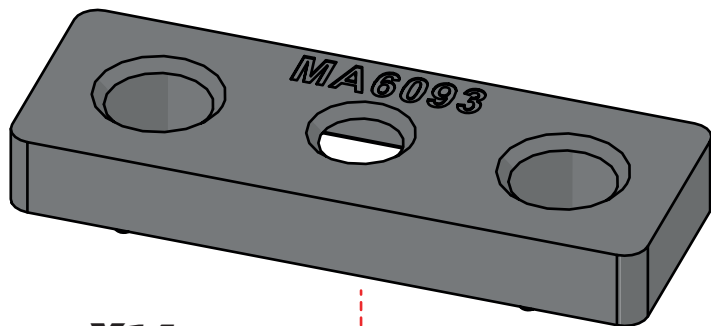
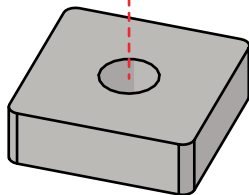
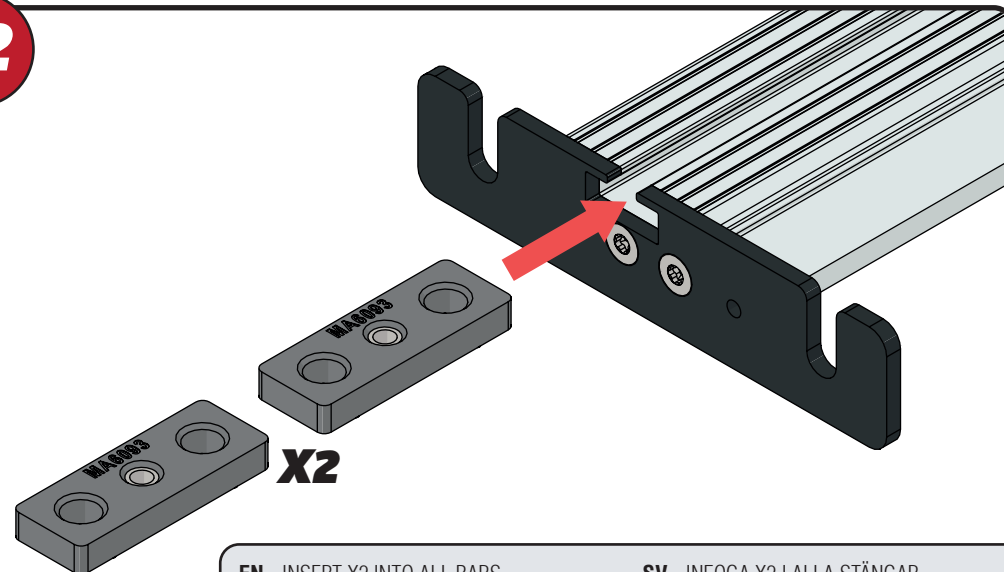


05

EN - STICK GASKETS TO ALL BRACKETS
 DE - KLEBEN SIE DIE DICHTUNG AN ALLEN HALTERUNGEN
 FR - COUSSINETS ADHÉSIFS À TOUS LES SUPPORTS
 NL - PLAK PAKKING OP ALLE BEUGELS
 ES - PEGA LAS ALMOHADILLAS A TODOS LOS SOPORTES
 IT - ADESIVI GUARNIZIONI A TUTTE LE STAFFE

SV - FÄST GUMMI PÅ ALLA FÄSTEN
 DA - KLÆB GUMMI PÅ ALLE BESLAG
 NO - PLIST GUMMI PÅ ALLE BRAKKETER
 PL - NAKLEJ USZCZELKI DO WSZYSTKICH WSPORNIKÓW
 CS - PŘILEPTE TĚSNĚNÍ NA VŠECHNY DRŽÁKY

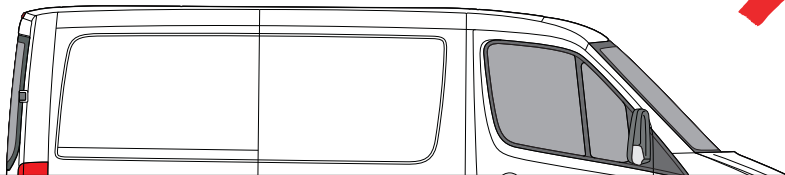
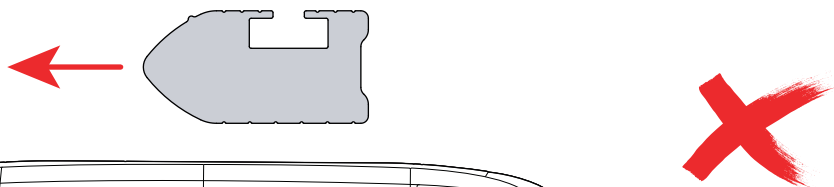
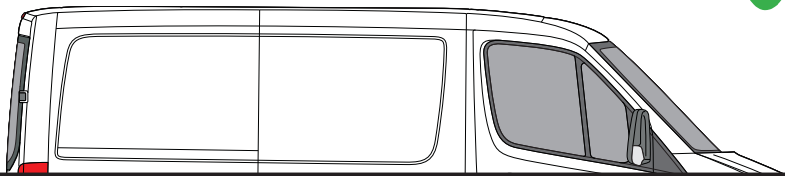
06**07****08**

09**10****11****X14****12**

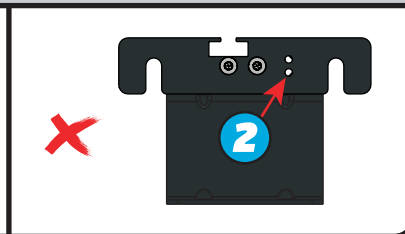
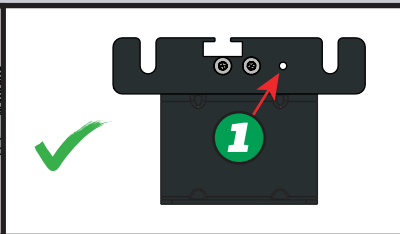
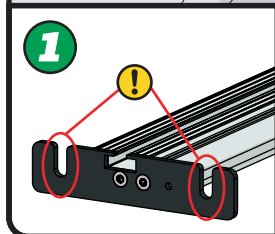
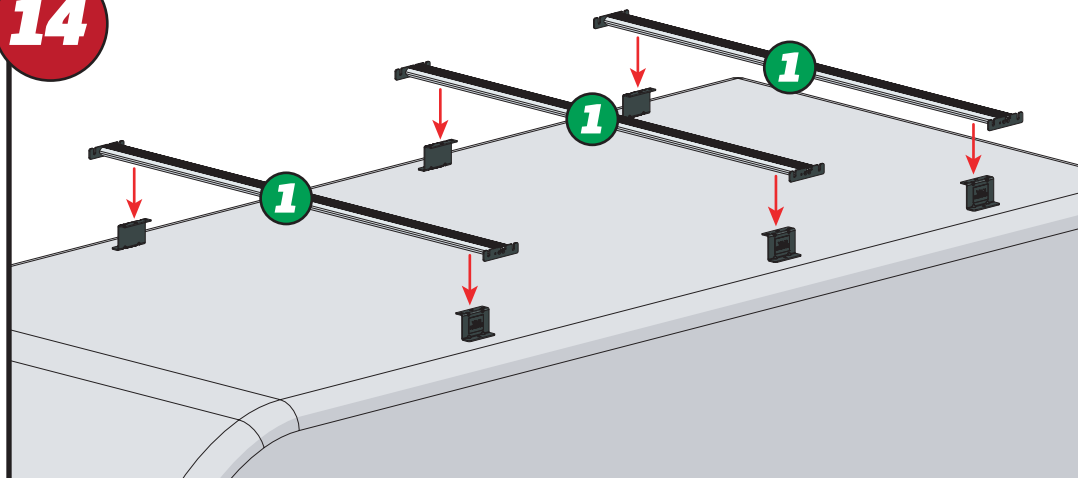
EN - INSERT X2 INTO ALL BARS
 DE - X2 IN ALLE STANGEN EINFÜGEN
 FR - INSÉRER X2 DANS TOUTES LES BARRES
 NL - PLAATS X2 IN ALLE BARS
 ES - INSERTAR X2 EN TODAS LAS BARRAS
 IT - INSERIRE X2 IN TUTTE LE BARRE

SV - INFOGA X2 I ALLA STÄNGAR
 DA - INDSÆT X2 I ALLE STÆNGER
 NO - SETT X2 INN I ALLE TAKSTENGER
 PL - WSTAW X2 DO WSZYSTKICH PRĘTÓW
 CS - VLOŽTE X2 DO VŠECH TYČÍ

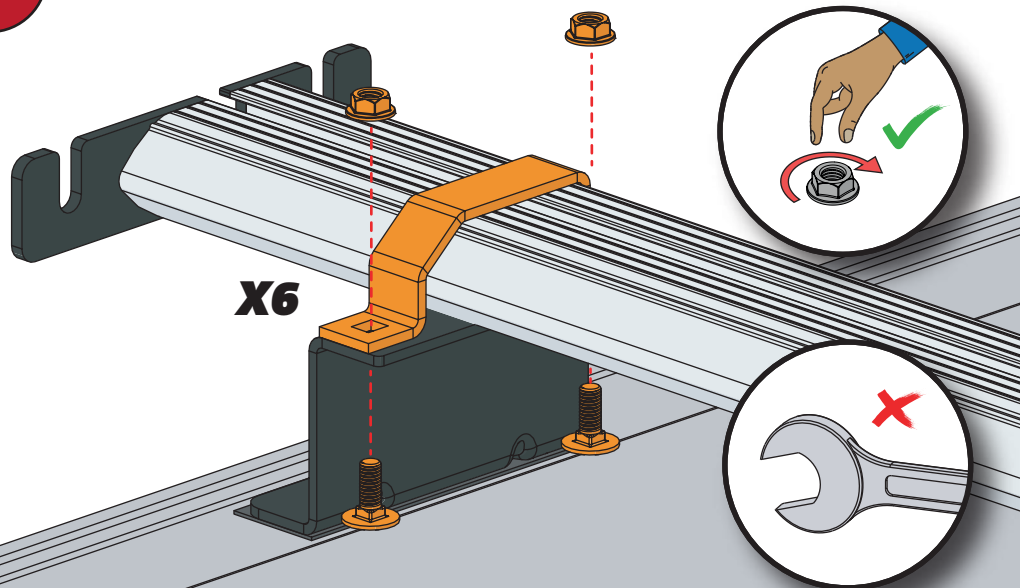
13



14

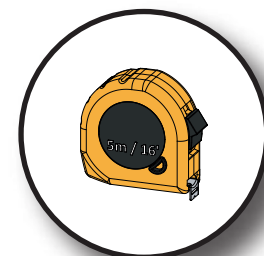


15



X6

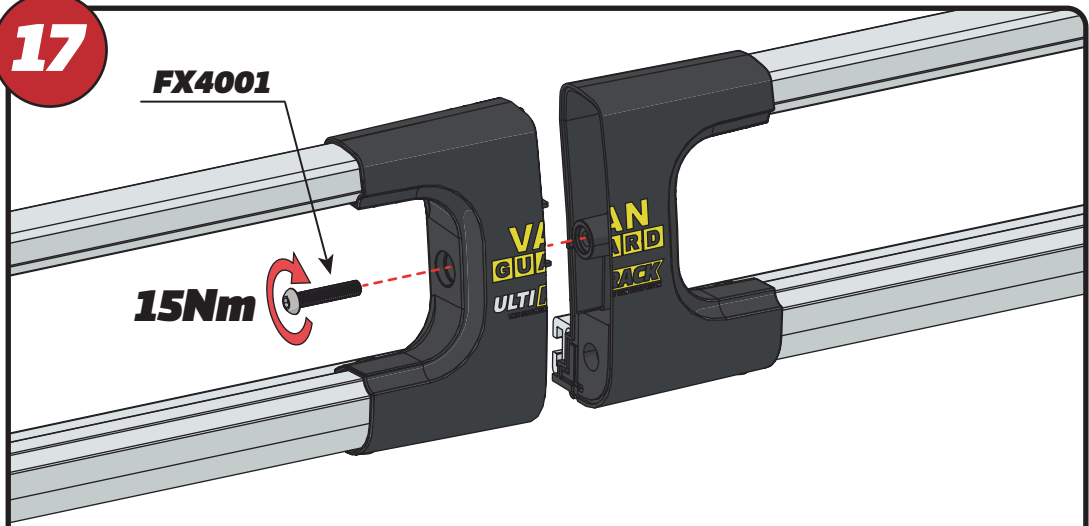
16



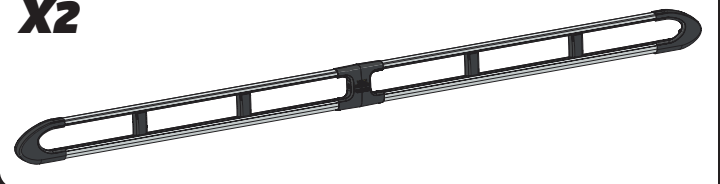
17

FX4001

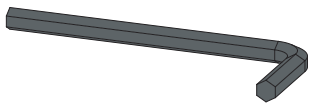
15Nm



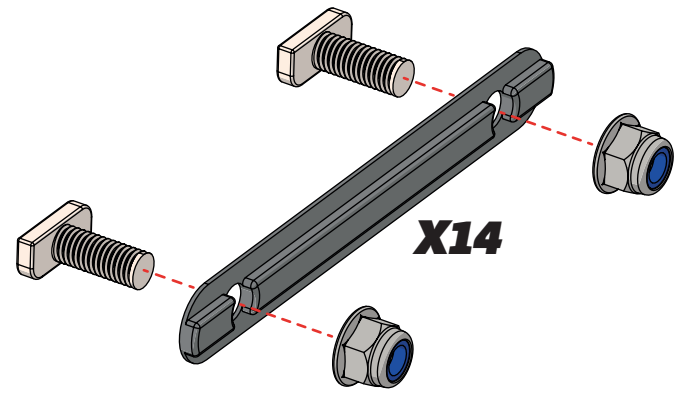
X2



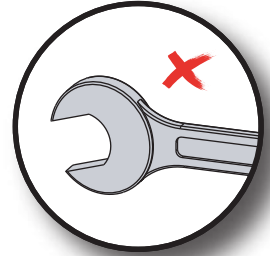
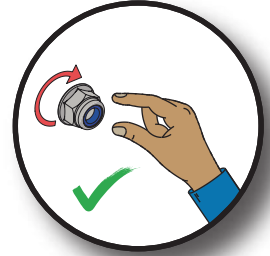
FX4008



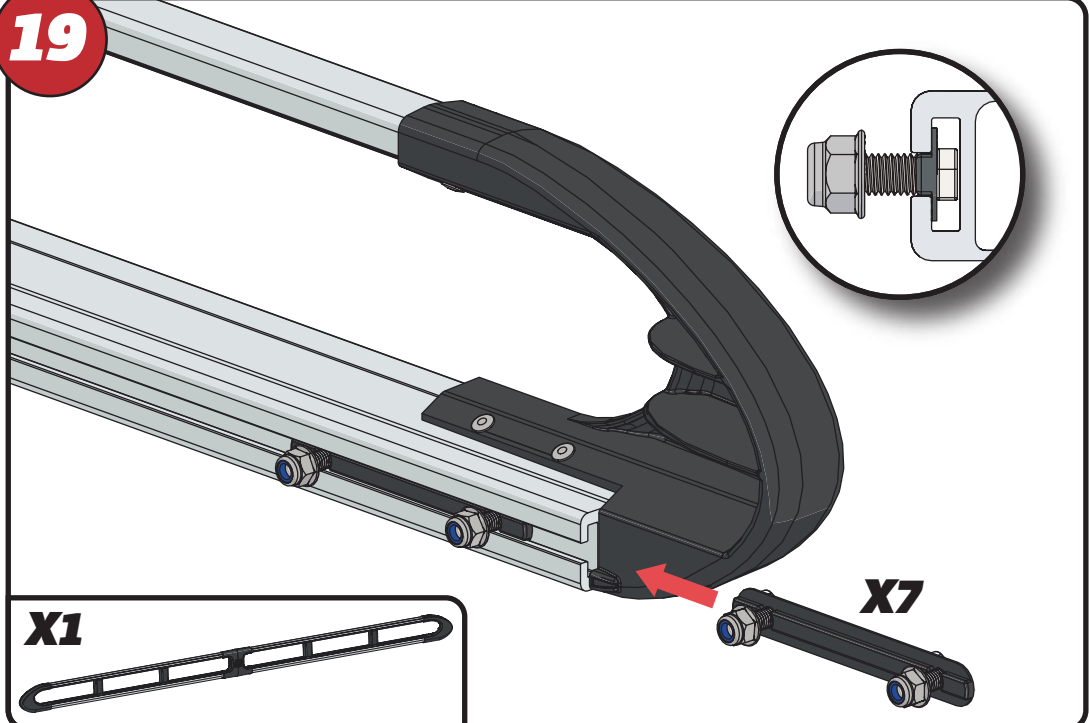
18



X14



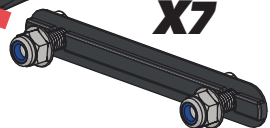
19



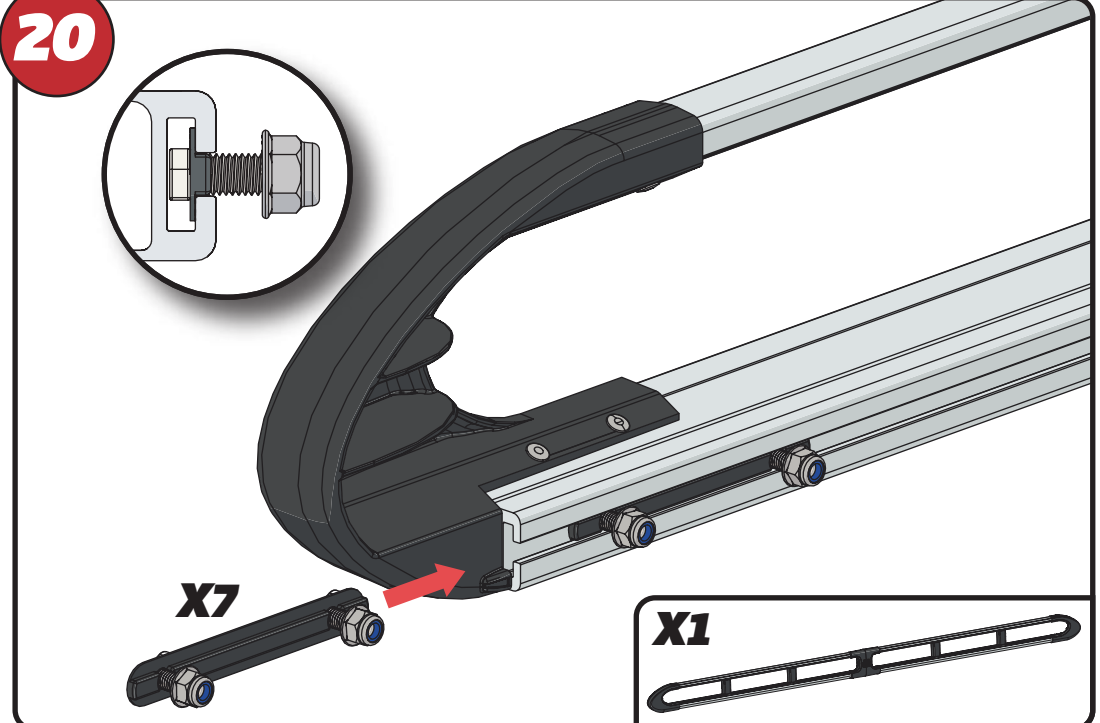
X1



X7



20



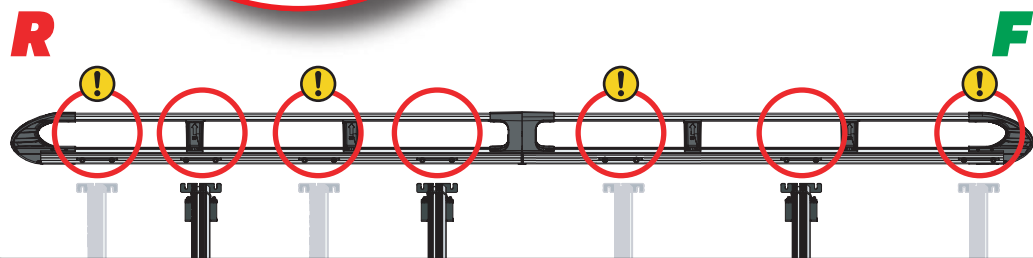
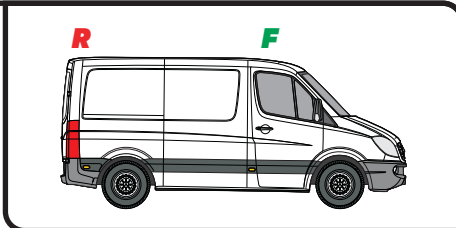
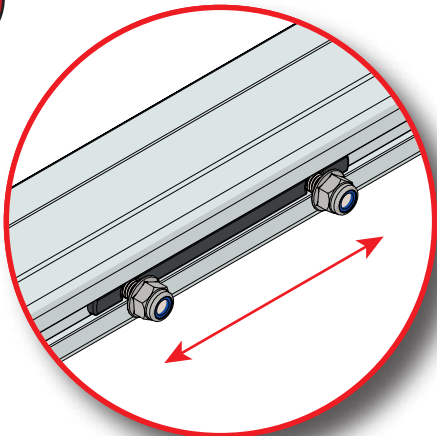
X7



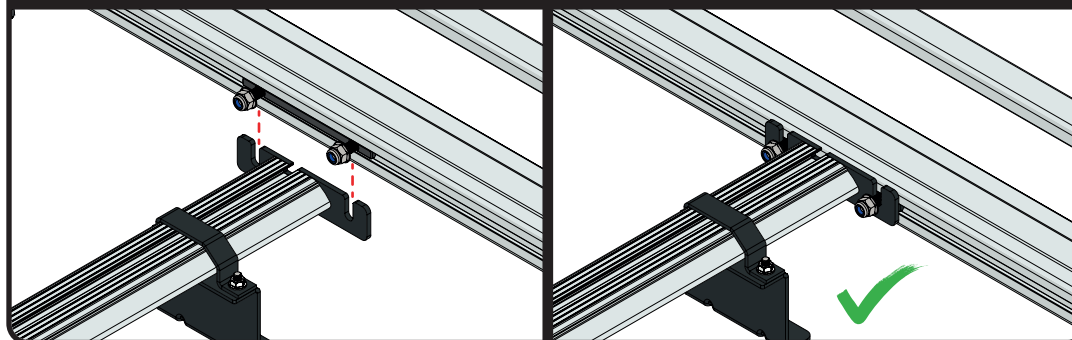
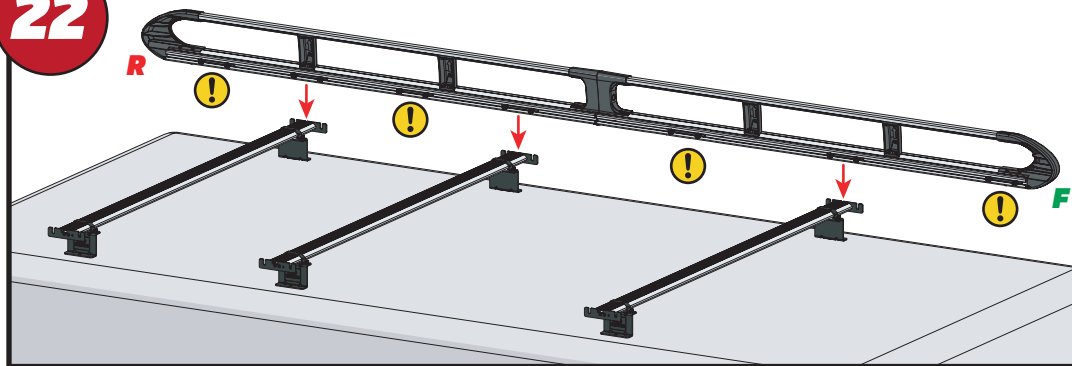
X1



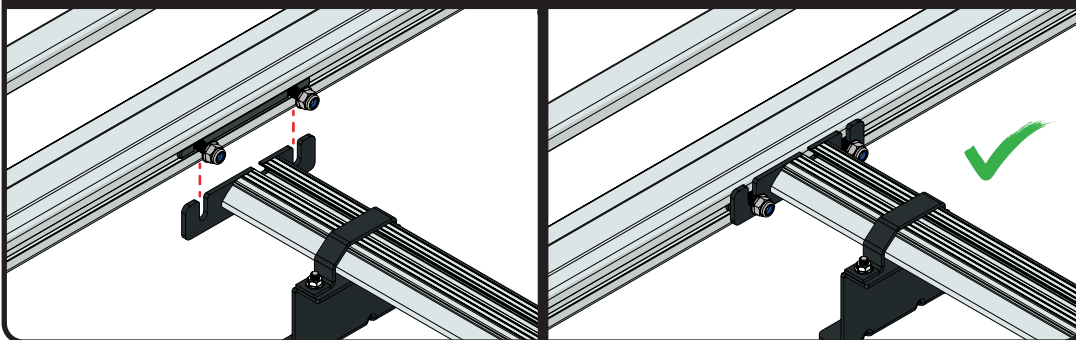
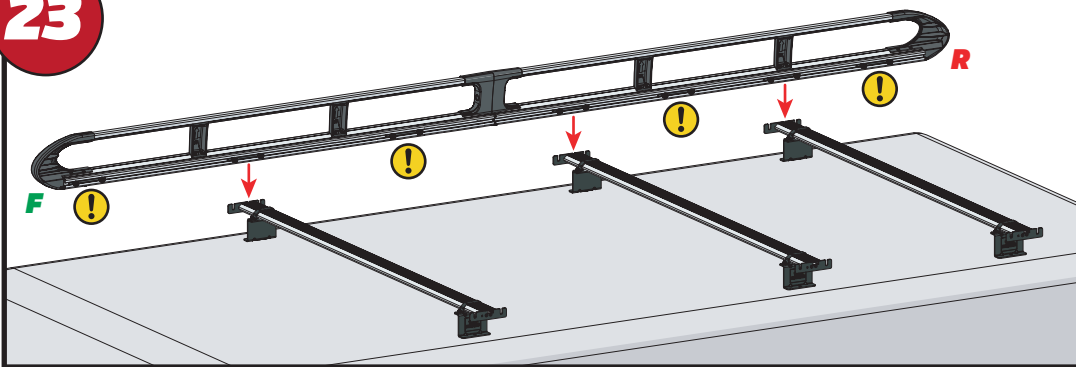
21



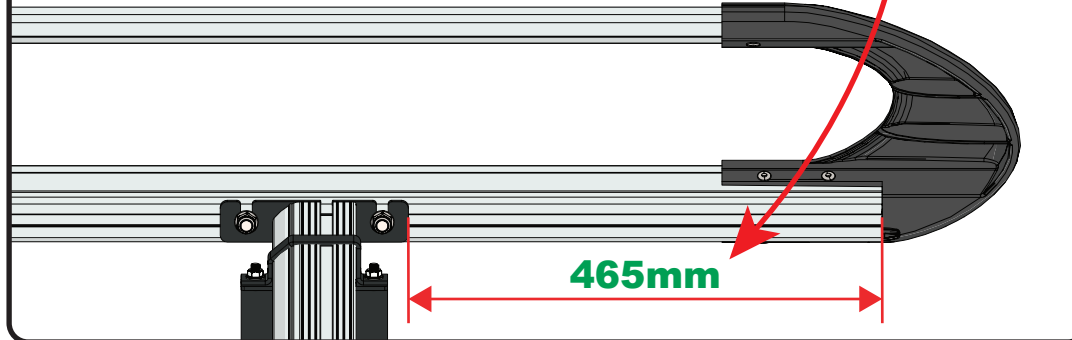
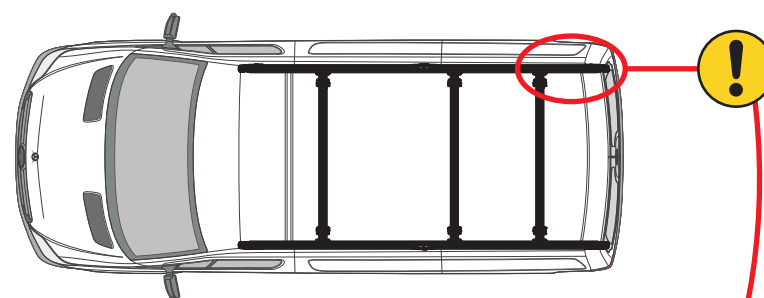
22

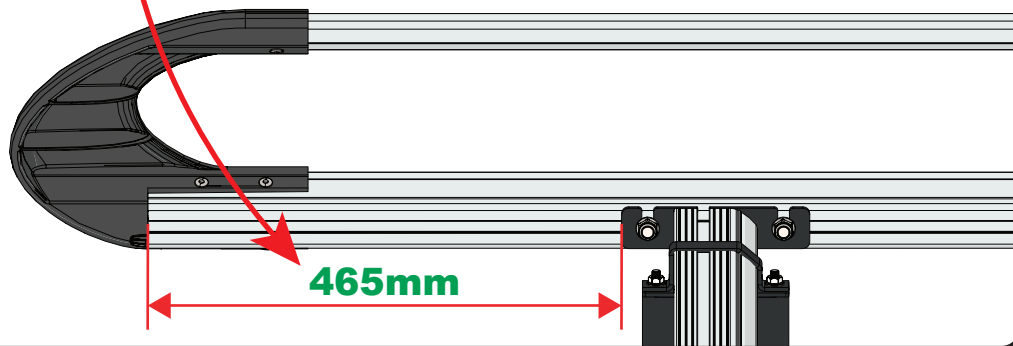
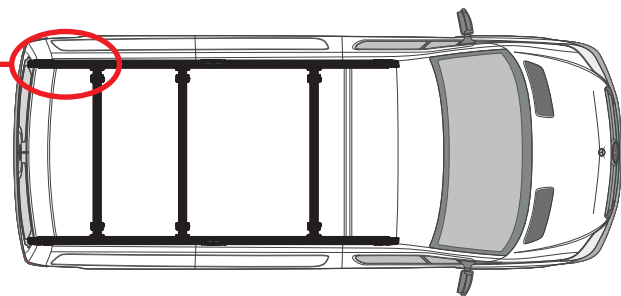
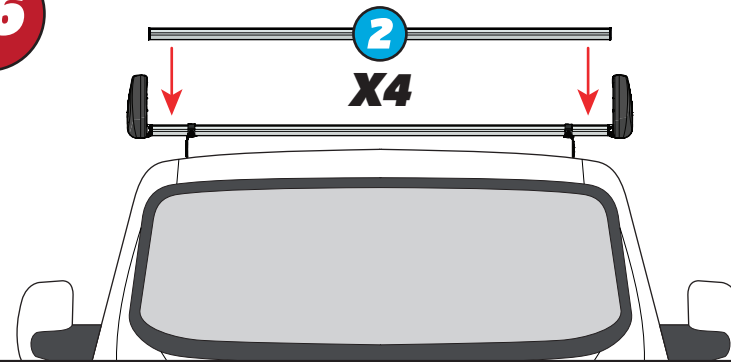
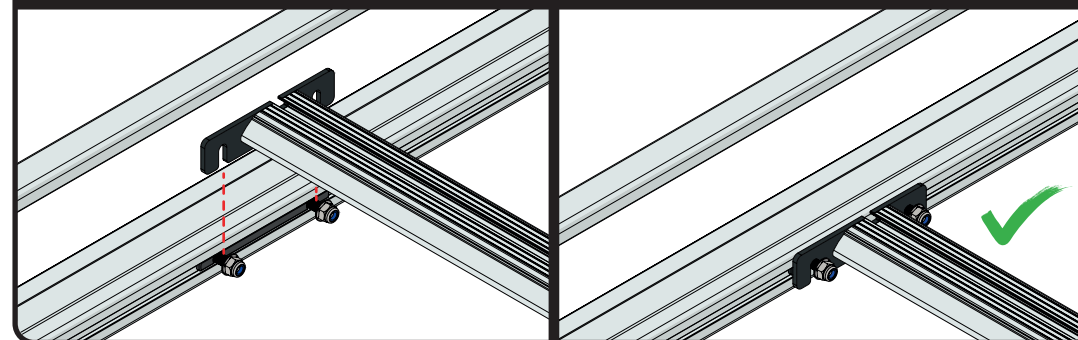
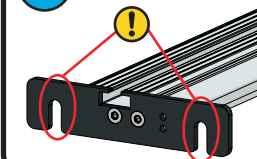
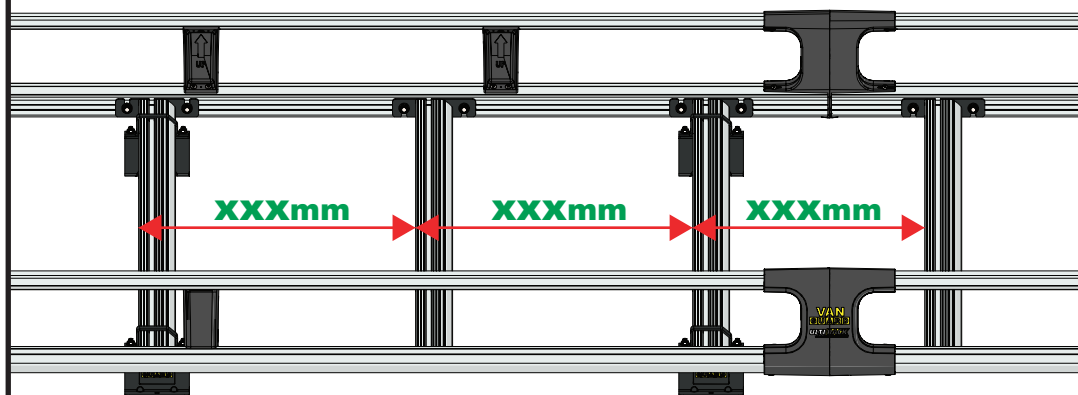
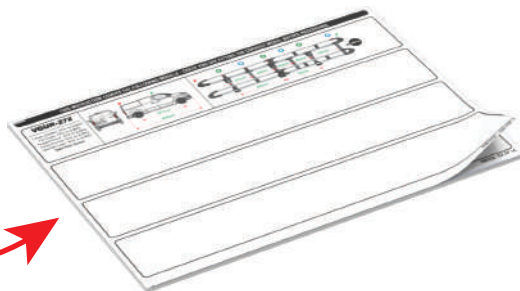
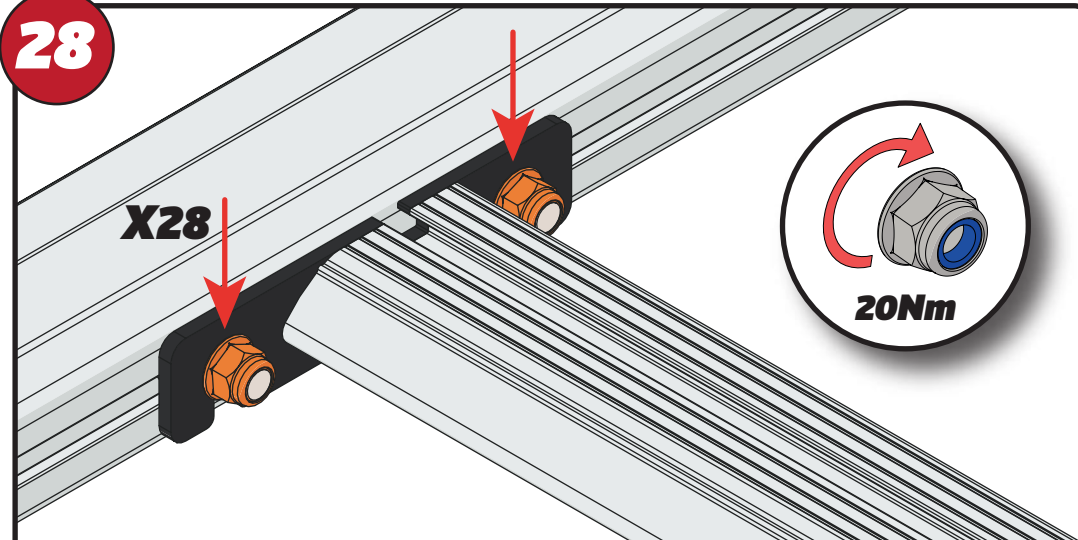


23



24

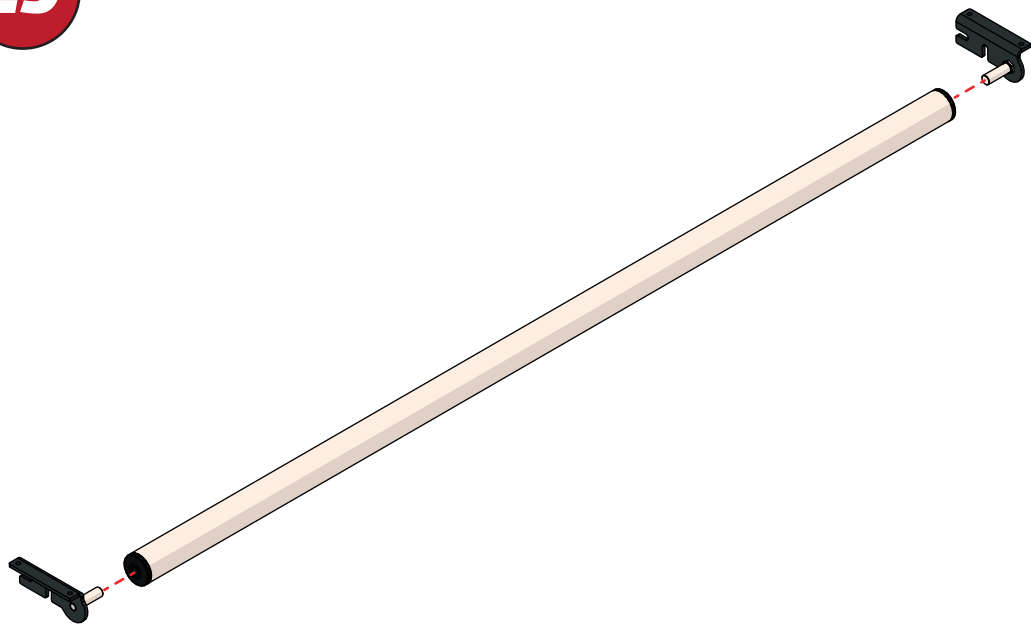


25**465mm****26****2****X4****2****27****XXX =
PAGE 2 OF 14****XXXmm****XXXmm****XXXmm****28****X28****20Nm**

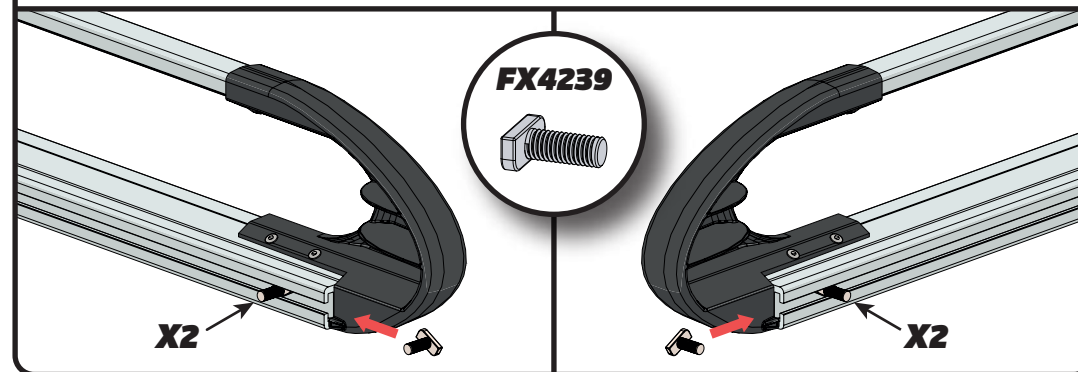
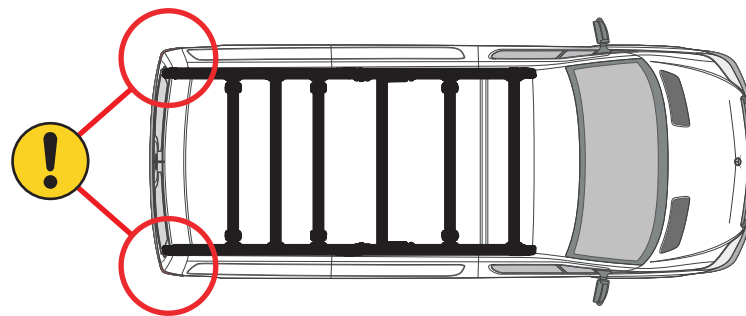
EN - TIGHTEN ALL OF THE CROSS BARS
DE - ALLE QUERSTANGEN FESTZIEHEN
FR - SERREZ TOUTES LES BARRES TRANSVERSALES
NL - DRAAI ALLE DWARSBALK VAN HET DAK AAN
ES - APRIETE TODAS LAS BARRAS TRANSVERSALES
IT - STRINGERE TUTTE LE BARRE TRASVERSALI

SV - SKRU UPP ALLA KORSSTANGAR
DA - SKRU ALLE TAGBØJLER OP
NO - SKRU OPP ALLE TVERRSTENGER
PL - DOKRĘCIĆ WSZYSTKIE POPRZECZKI
CS - VŠECHNY PŘÍČNÉ TYČE SEŠROUJTE

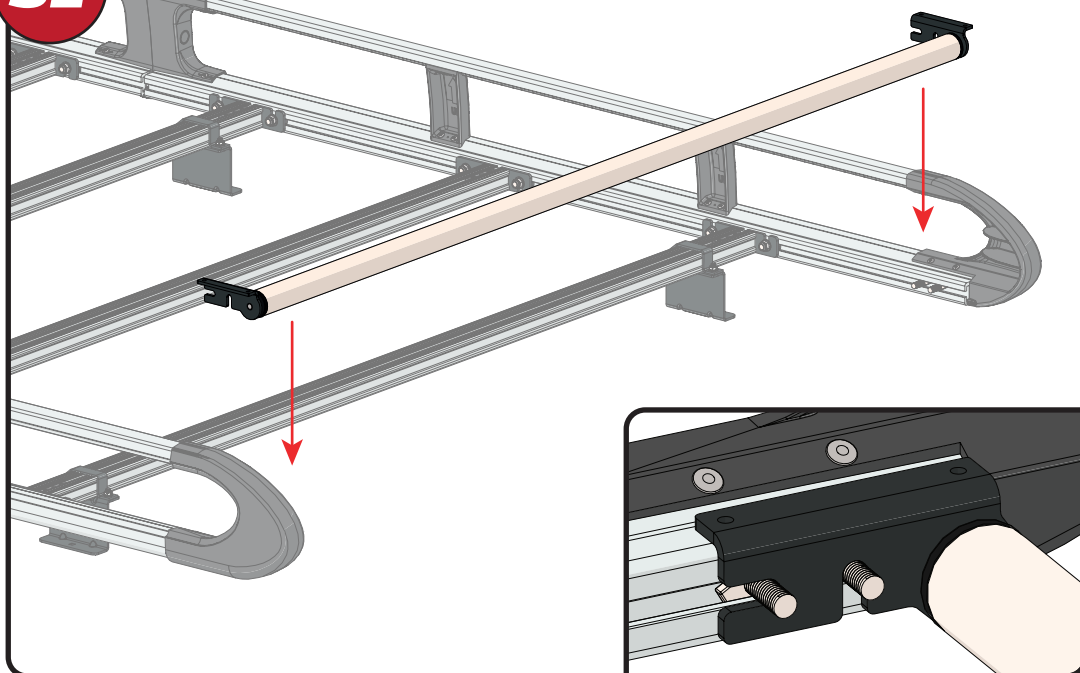
29



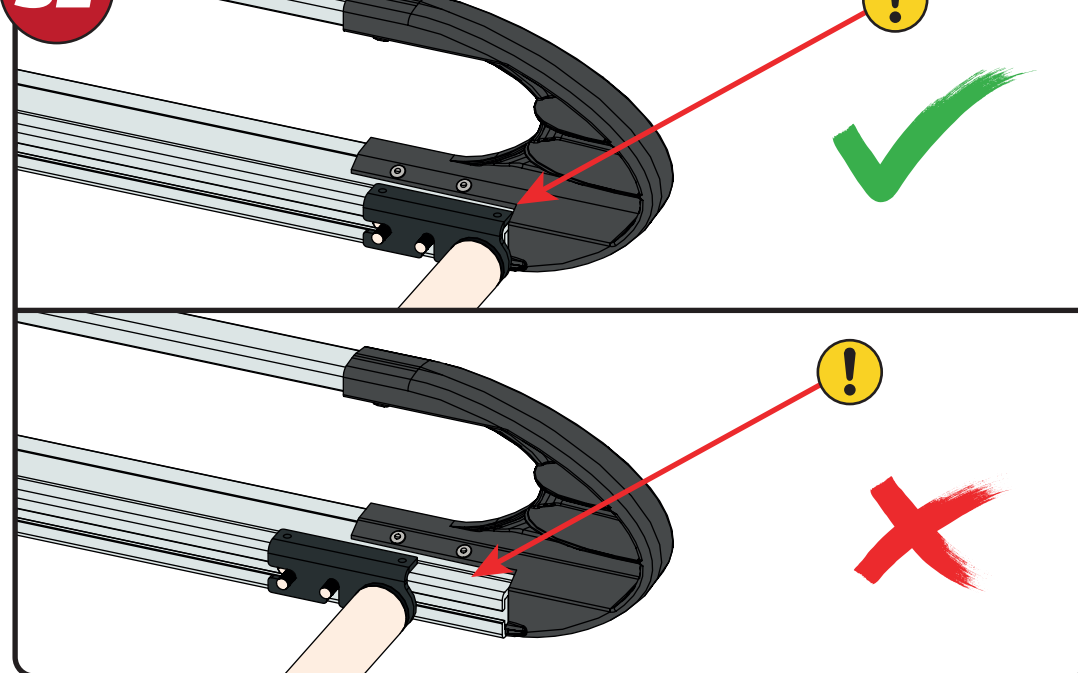
30



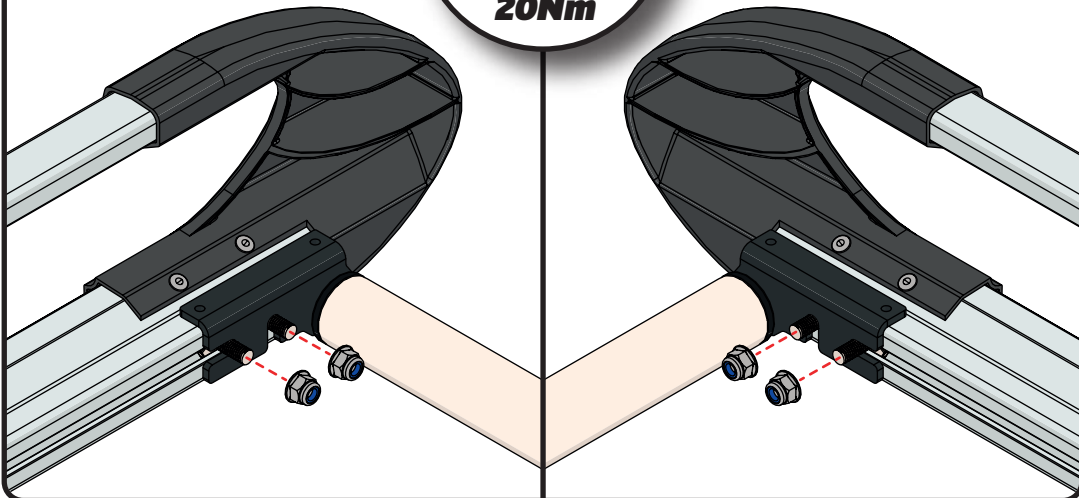
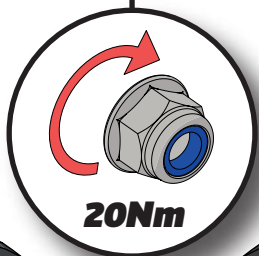
31



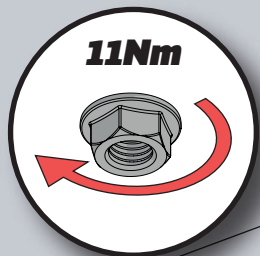
32



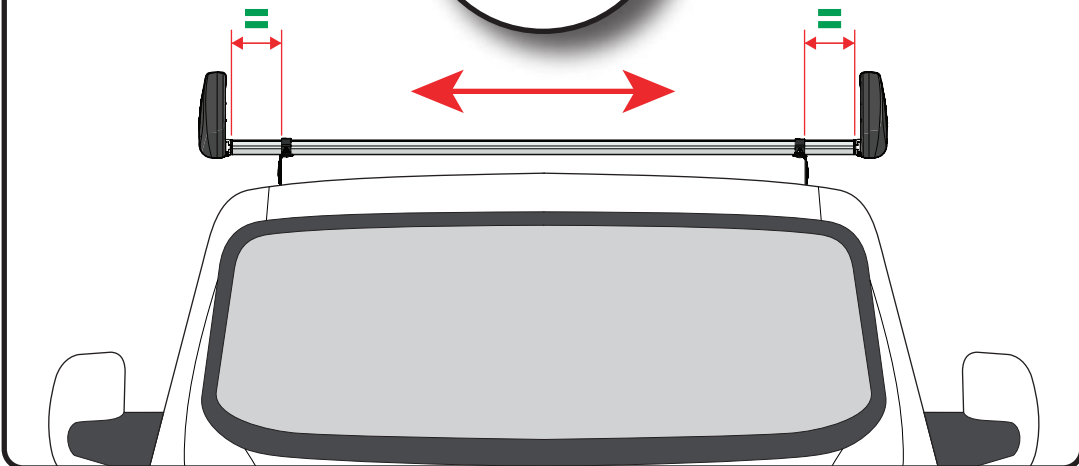
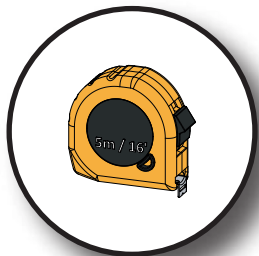
33



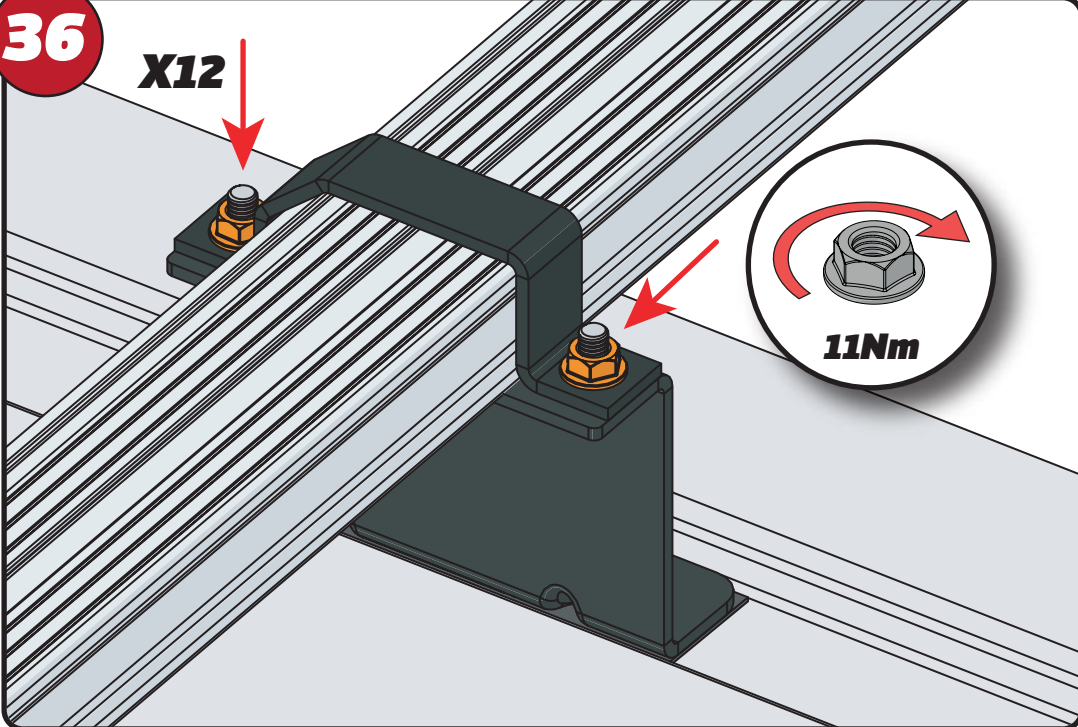
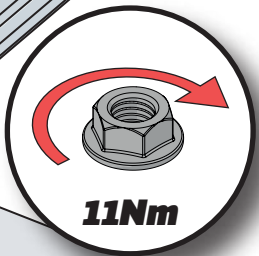
34



35



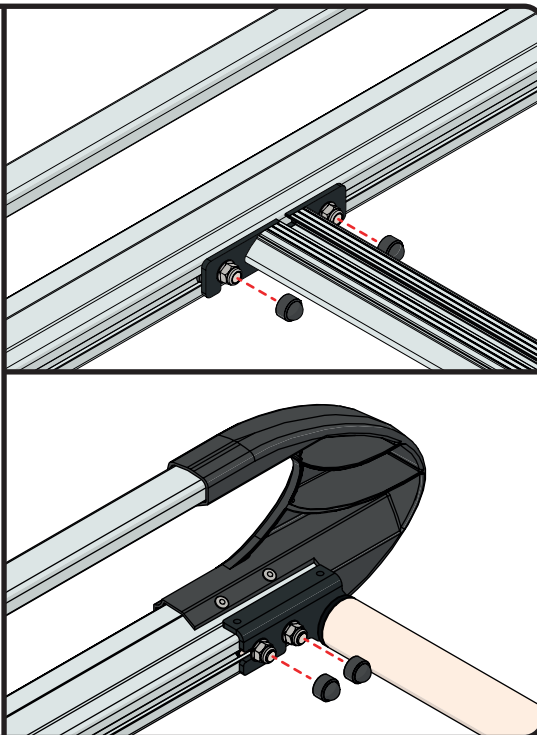
36



37



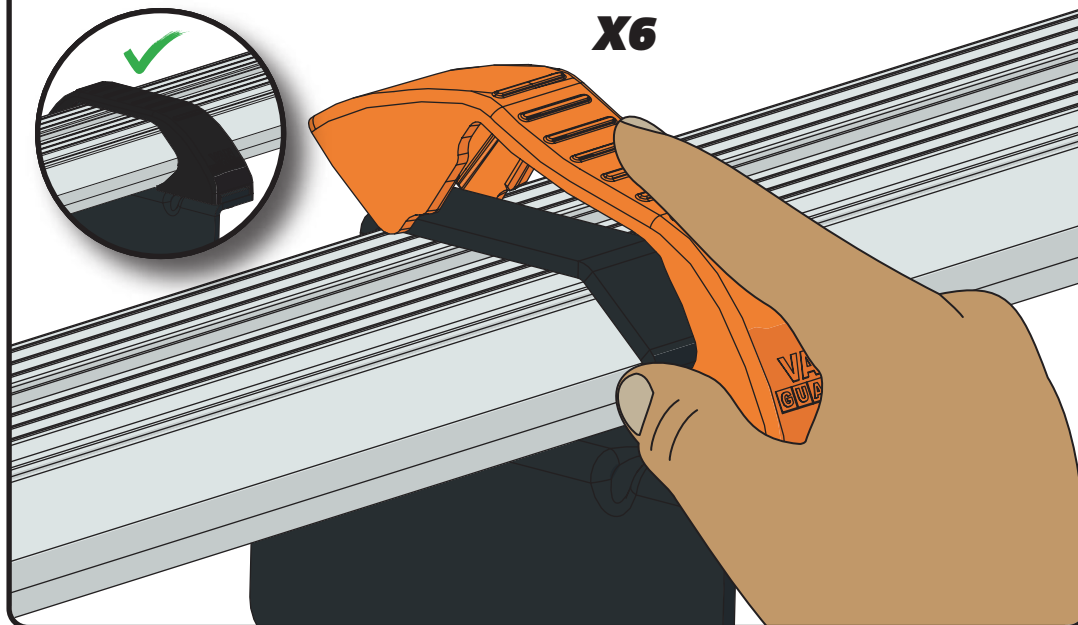
X32



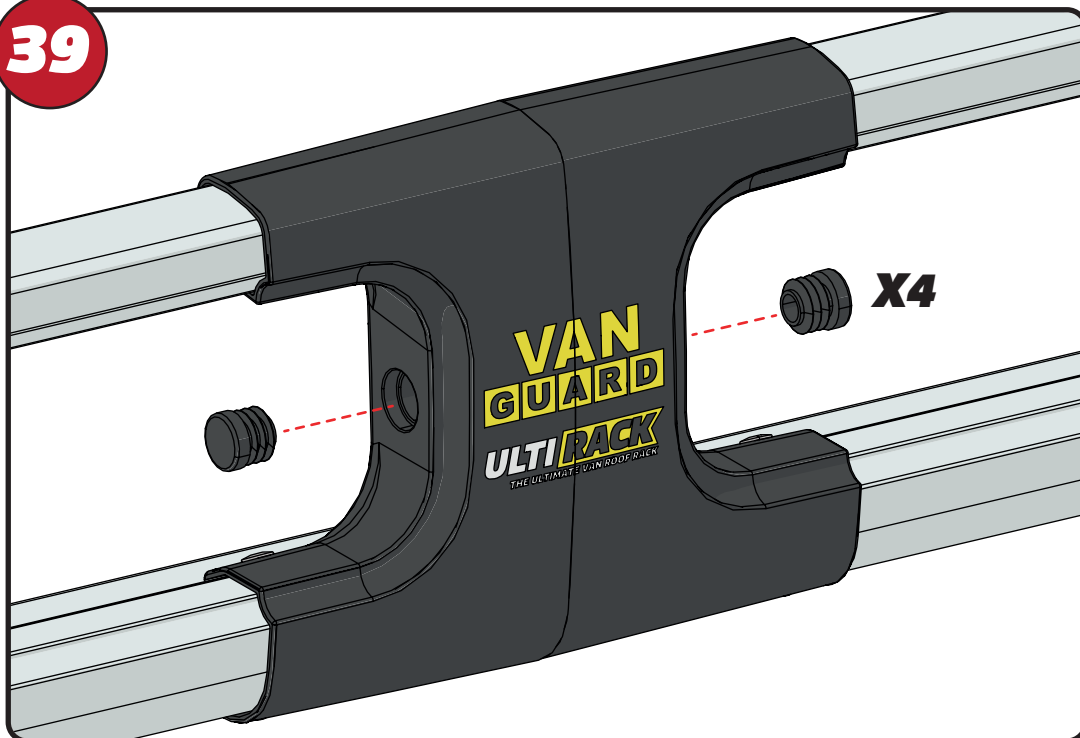
38



X6



39



40

