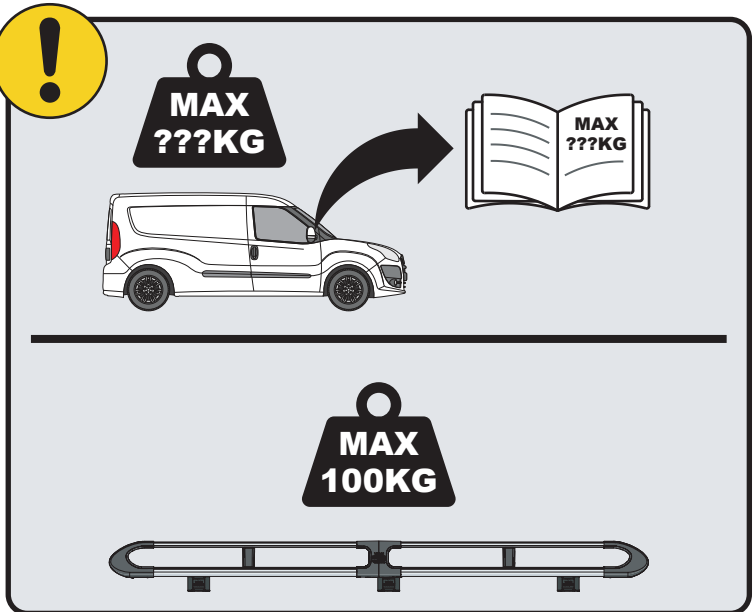
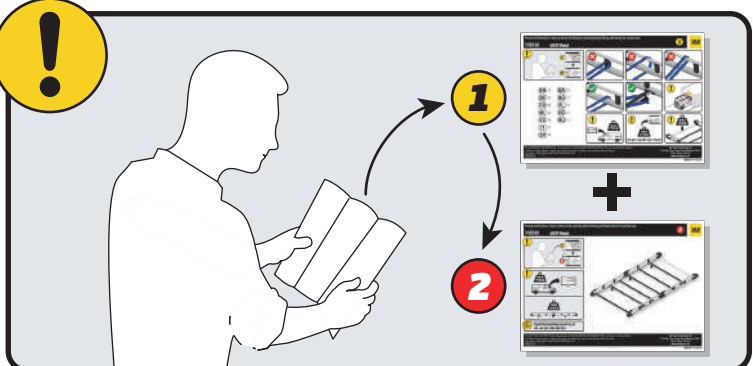


# IN8314

## ULTI Rack+



 [Customercare@van-guard.co.uk](mailto:Customercare@van-guard.co.uk)  
UK +44 (0) 1392 368 351

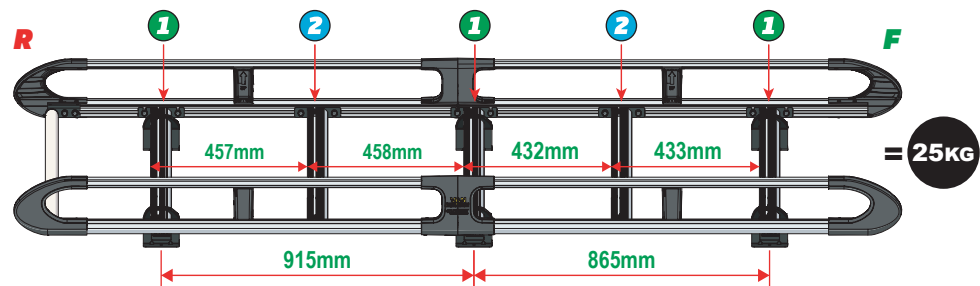
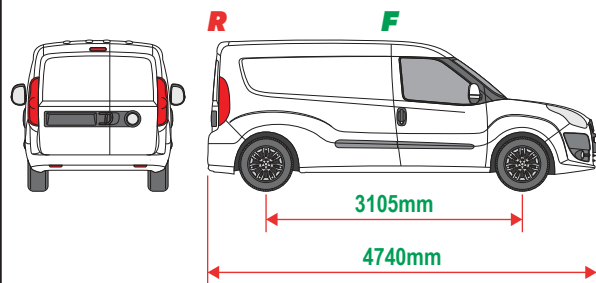


This FITTING INSTRUCTION is the property of VAN GUARD ACCESSORIES LTD. and must not be used for manufacturing purposes, copied nor communicated in any way to third parties without written permission from VAN GUARD ACCESSORIES LTD.  
IN8314\_B (CN:00356)

Van Guard Accessories Ltd  
Fair Oak Close, Exeter Airport Business Park,  
Exeter, Devon, EX5 2UL  
[www.van-guard.co.uk](http://www.van-guard.co.uk)

# VGUR-243

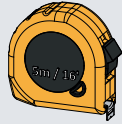
Fiat Doblo: 2010 on  
Vauxhall Combo 2012-2018  
L2H1 (MAXI)  
Twin Rear Doors



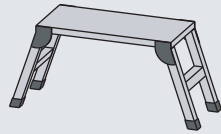
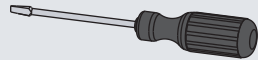
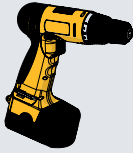
**SUPPLIED COMPONENTS - CHECK ALL PARTS ARE PRESENT AND CORRECT BEFORE PROCEEDING (1 OF 2)**

**TOOLS REQUIRED**

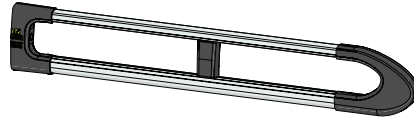
**10MM X1**



**13MM X1**



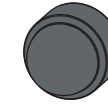
**AS3535 X2**  
(2400 / A)



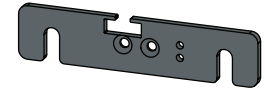
**MA6118 X10**



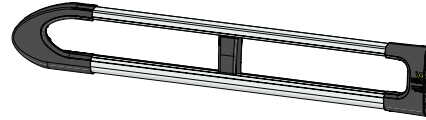
**FX4241 X24**



**ME1622 X2**



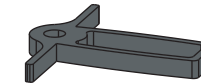
**AS3534 X2**  
(2400 / B)



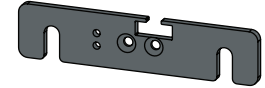
**FX4008 X1**



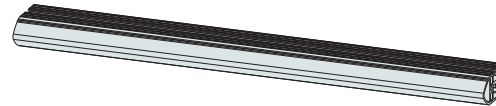
**MA6145 X1**



**ME1623 X2**



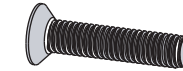
**ME1626 X5**  
(1264mm)



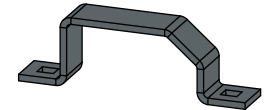
**FX4001 X2**  
(M8X40)



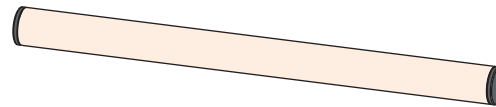
**FX4235 X20**  
(M5X25)



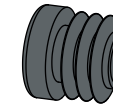
**ME0203 X6**



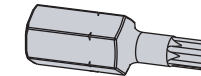
**AS3158 X1**  
(1250mm)



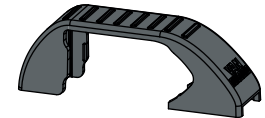
**MA6007 X4**



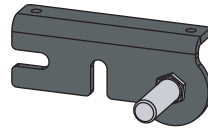
**FX4248 X1**  
(T25)



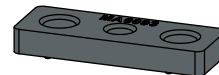
**MA6065 X6**



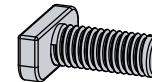
**AS3590 X1**



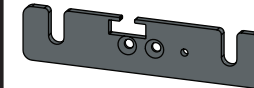
**MA6093 X10**



**FX4239 X24**  
(M8X20)



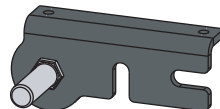
**ME1620 X3**



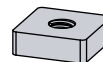
**FX4016 X12**  
(M6)



**AS3591 X1**



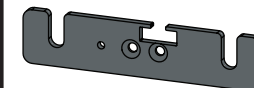
**ME0316 X10**



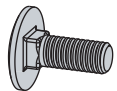
**FX4240 X24**  
(M8)



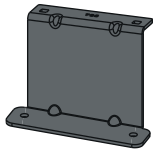
**ME1621 X3**



**FX4042 X12**  
(M6X16)



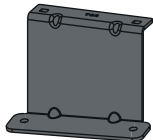
**ME0755 X1**



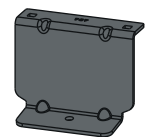
**FX4014 X10**



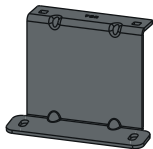
**ME0756 X1**



**ME0757 X2**



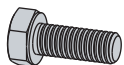
**ME0758 X2**



**FX4010 X10**  
(M6)

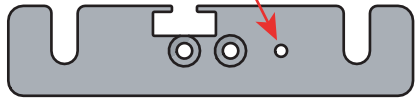


**FX4012 X10**  
(M6X16)



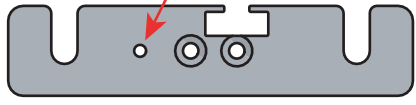
01

1L



X3

1R



X3

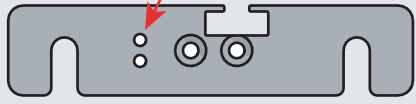


2L



X2

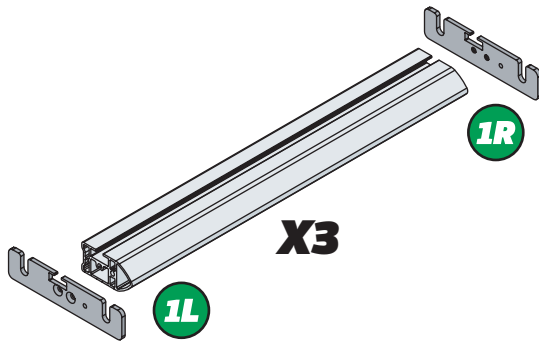
2R



X2

02

1R

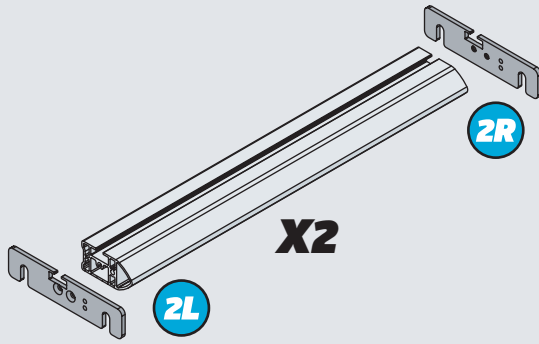


X3

1L



2R



X2

2L



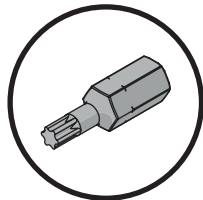
03

01

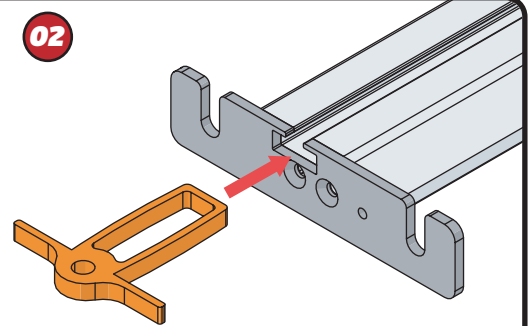
FX4248



+



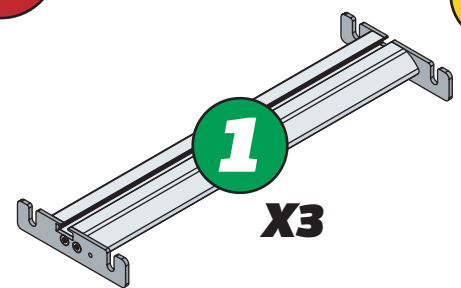
02



04

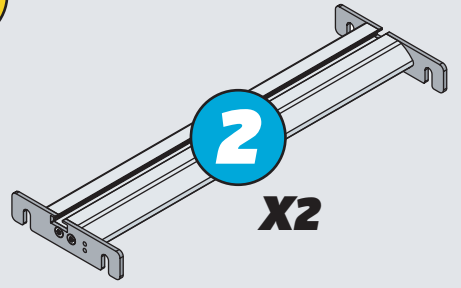
1

X3



2

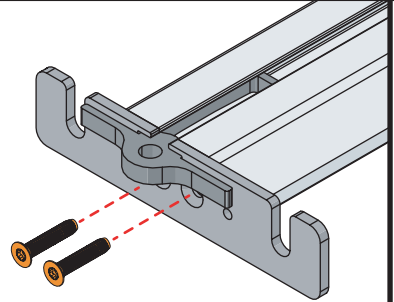
X2



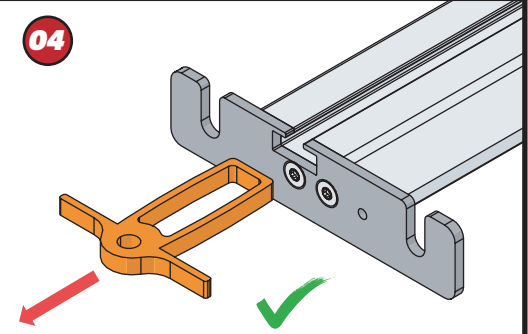
03



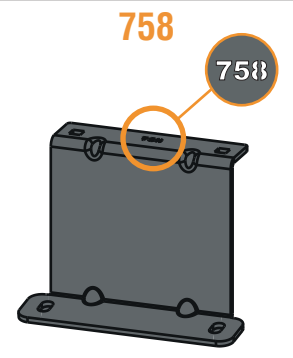
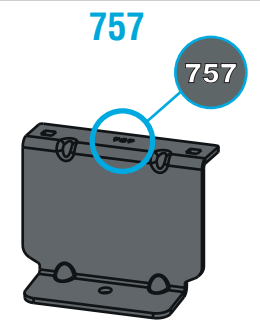
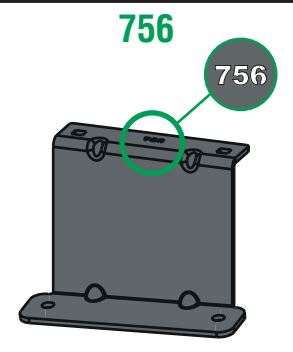
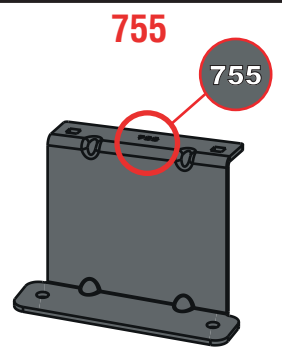
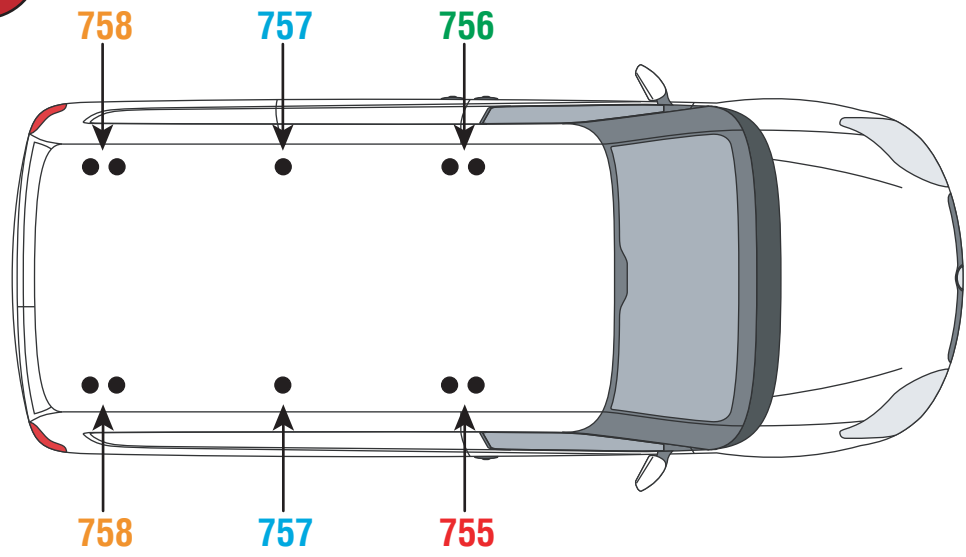
11Nm



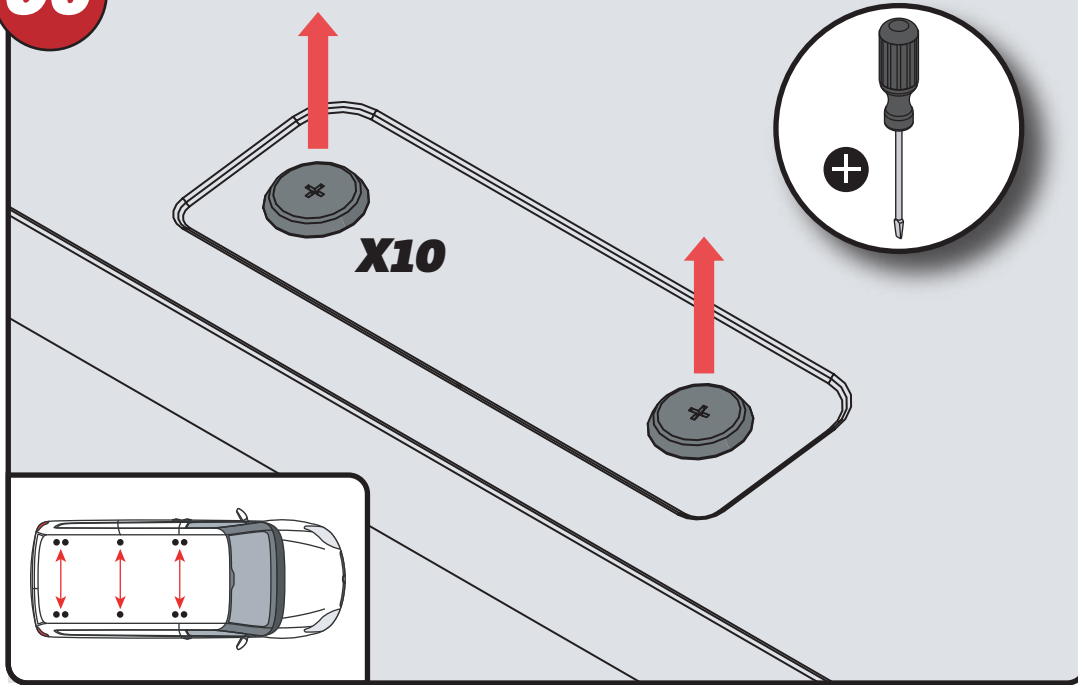
04



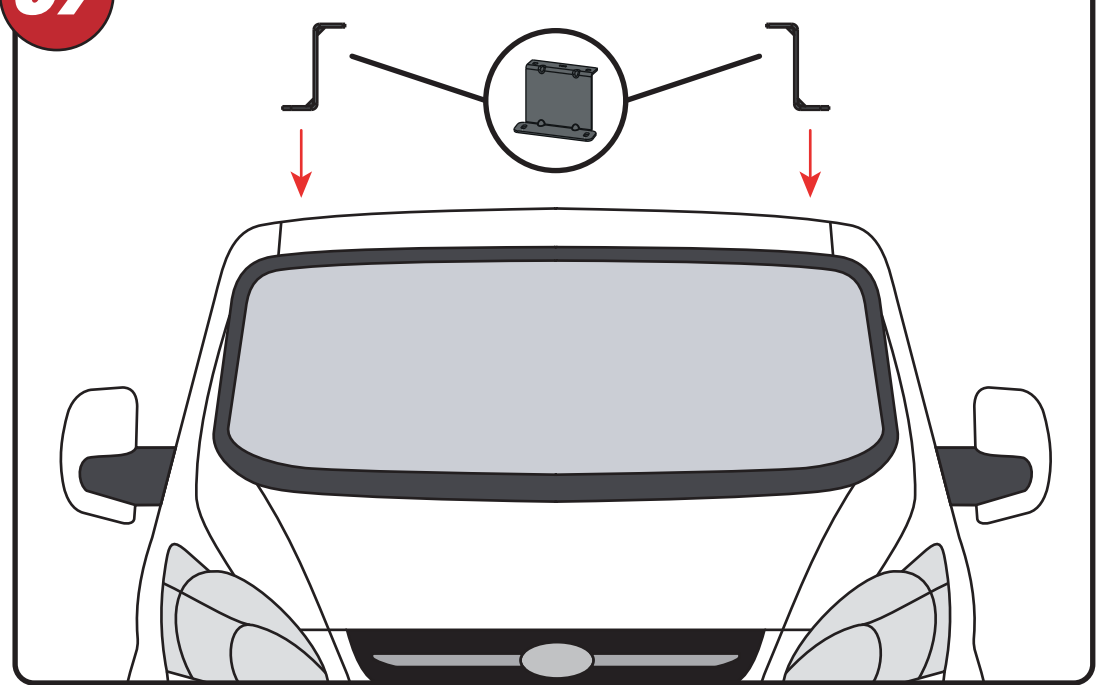
05



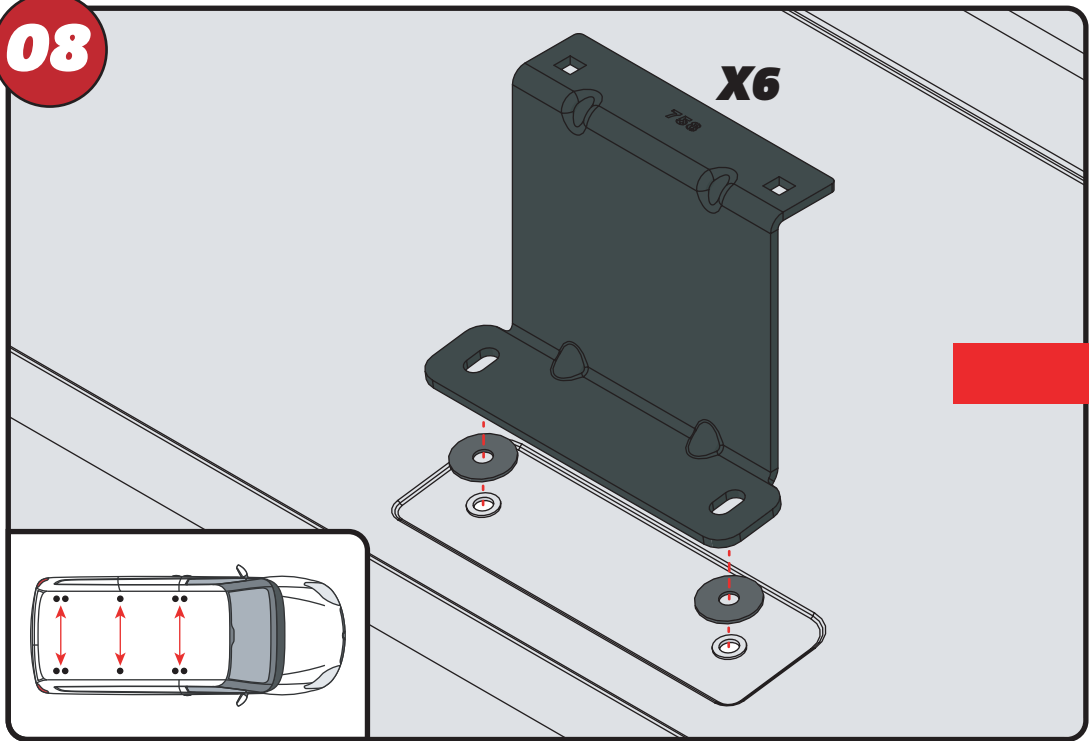
06



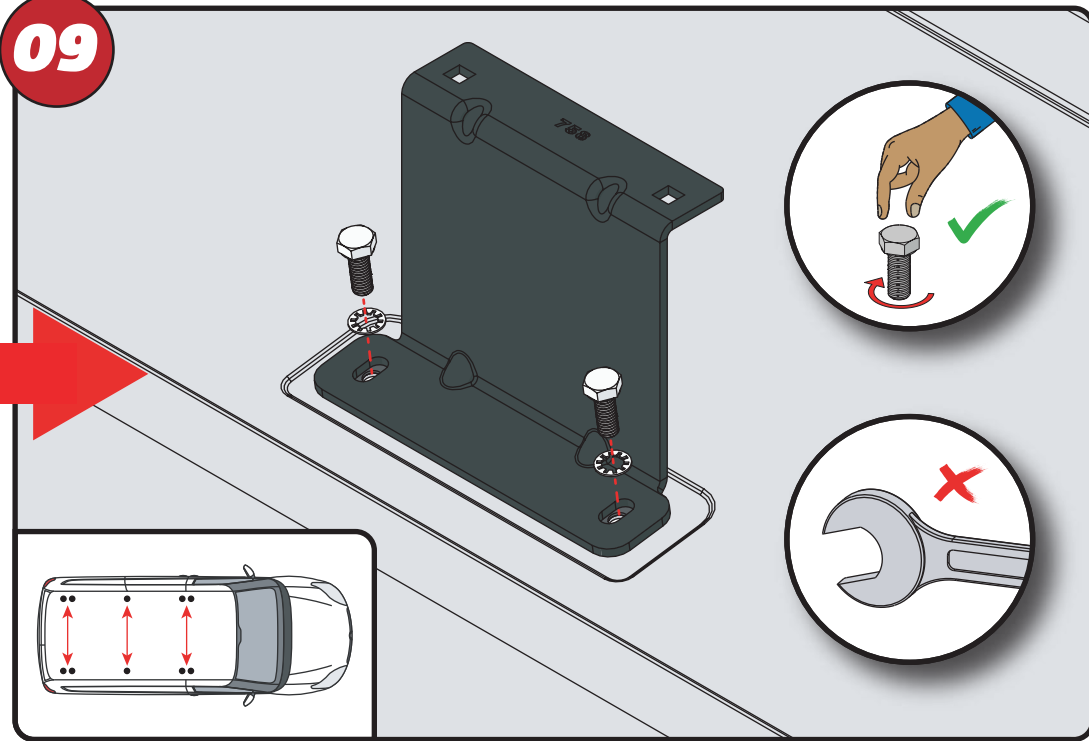
07



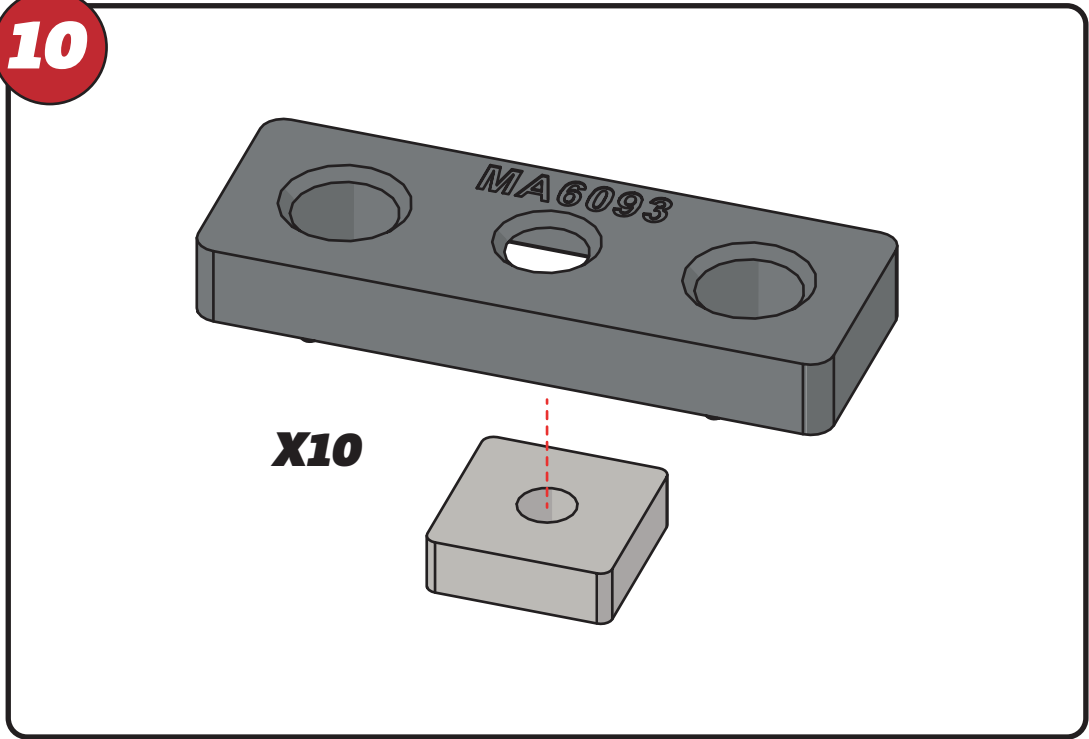
08



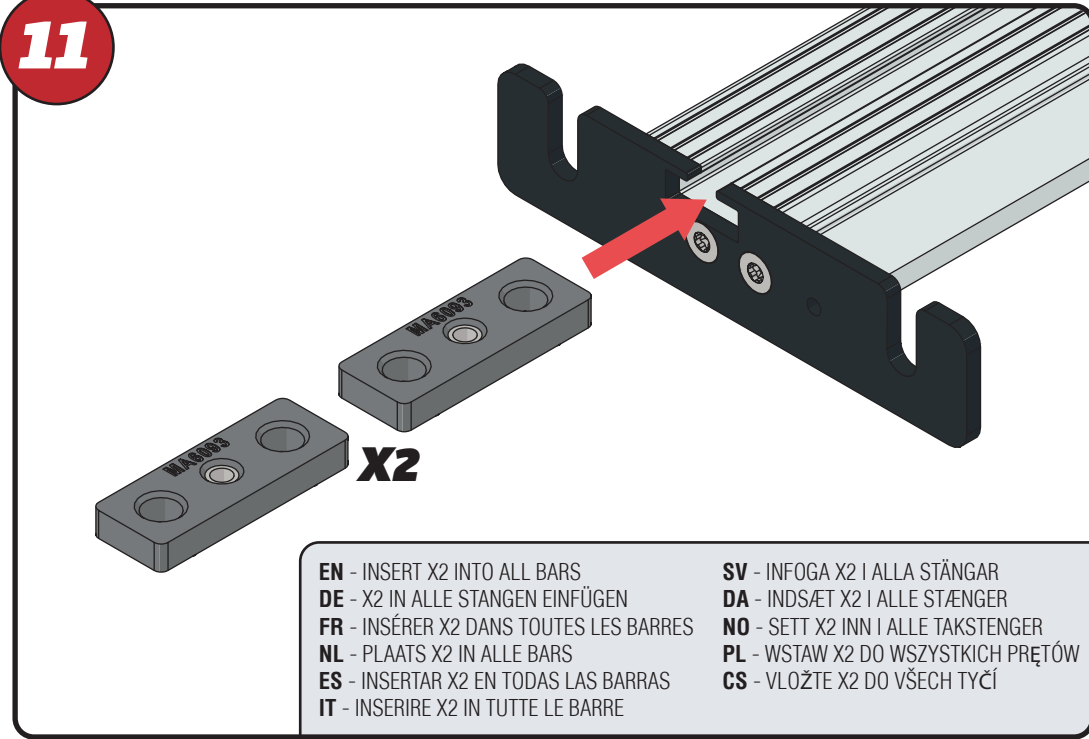
09



10

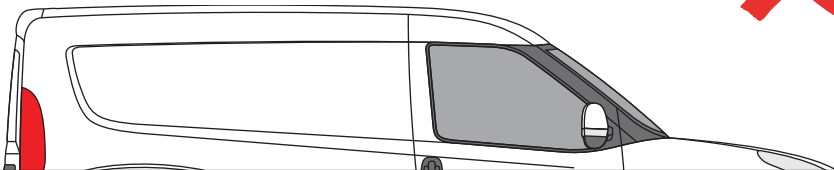
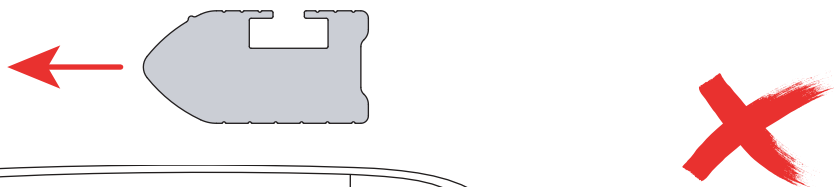
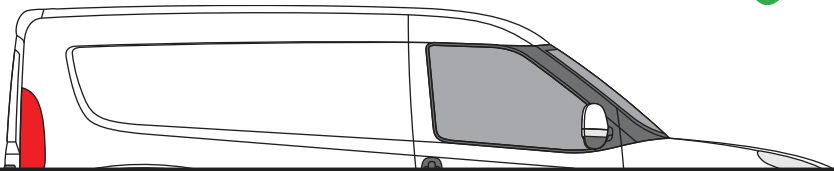
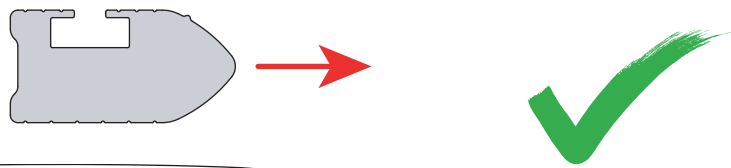


11

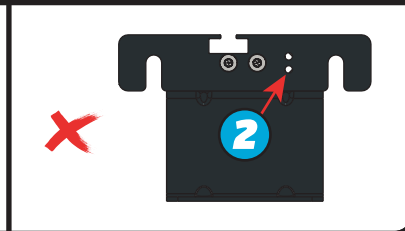
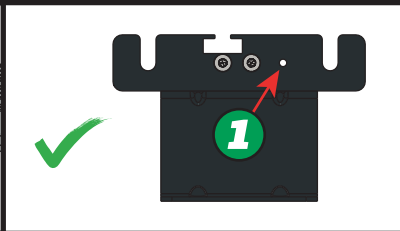
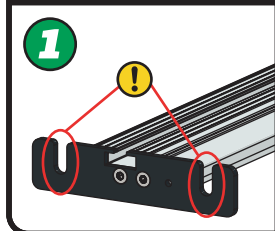
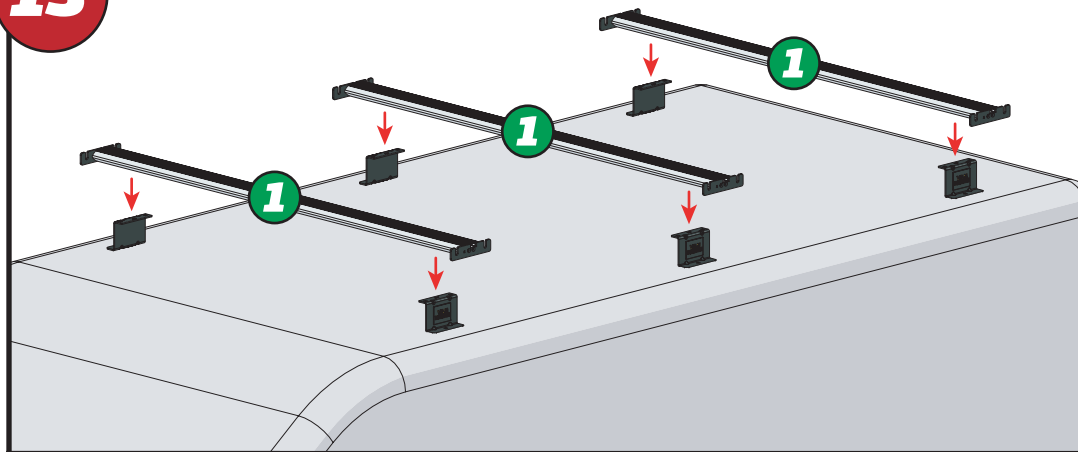


**EN** - INSERT X2 INTO ALL BARS  
**DE** - X2 IN ALLE STANGEN EINFÜGEN  
**FR** - INSÉRER X2 DANS TOUTES LES BARRES  
**NL** - PLAATS X2 IN ALLE BARS  
**ES** - INSERTAR X2 EN TODAS LAS BARRAS  
**IT** - INSERIRE X2 IN TUTTE LE BARRE  
**SV** - INFOGA X2 I ALLA STÄNGAR  
**DA** - INDSÆT X2 I ALLE STÆNGER  
**NO** - SETT X2 INN I ALLE TAKSTENGER  
**PL** - WSTAW X2 DO WSZYSTKICH PRĘTÓW  
**CS** - VLOŽTE X2 DO VŠECH TYČÍ

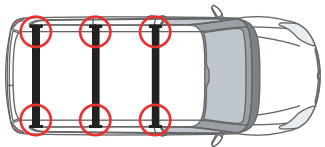
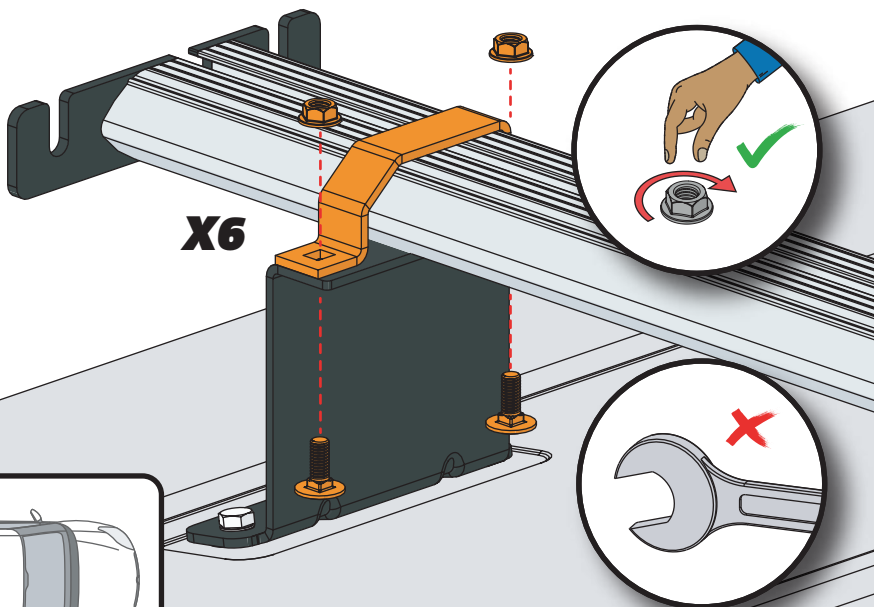
12



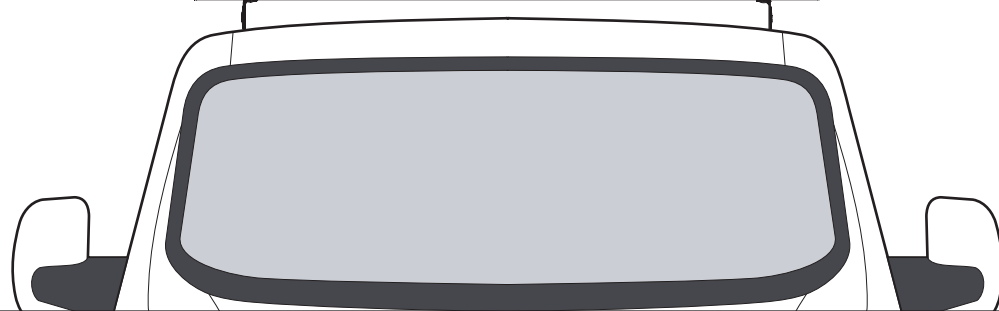
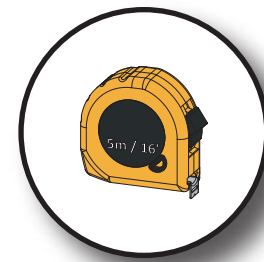
13



14



15

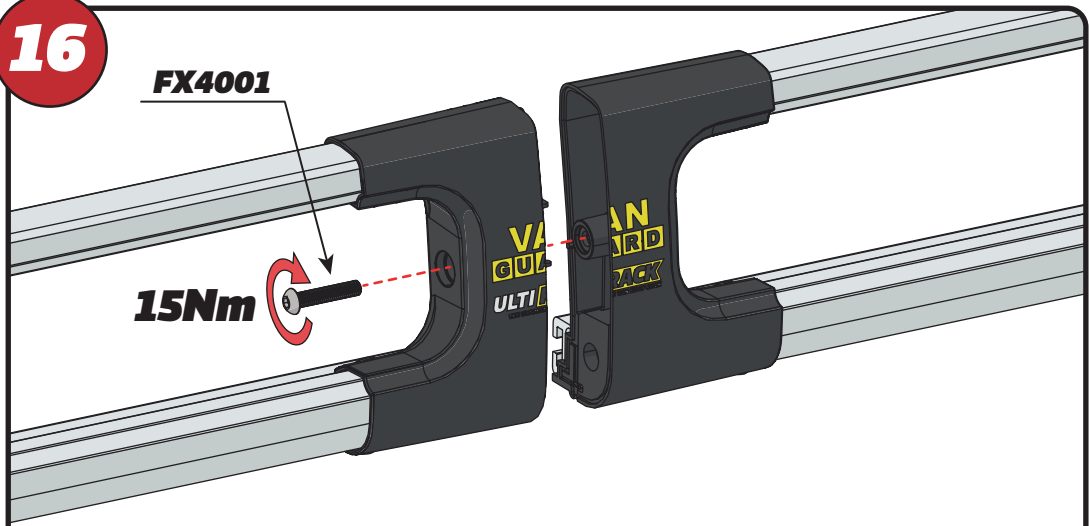




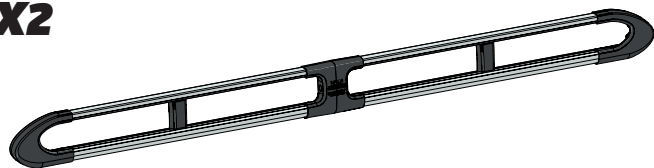
16

FX4001

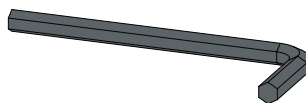
15Nm



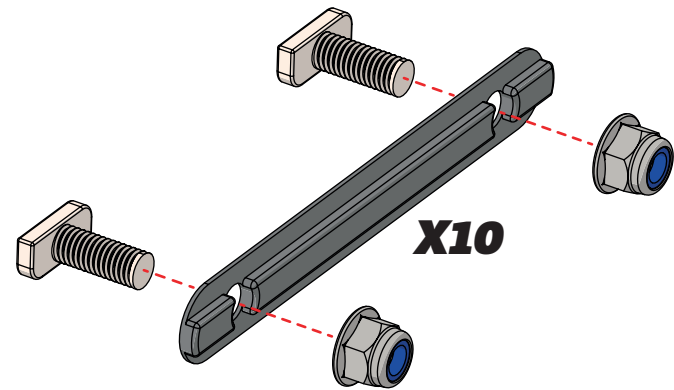
X2



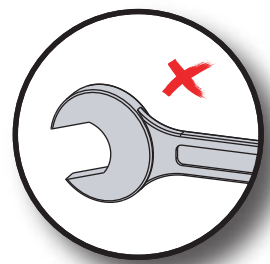
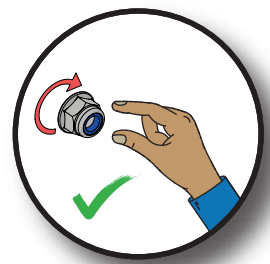
FX4008



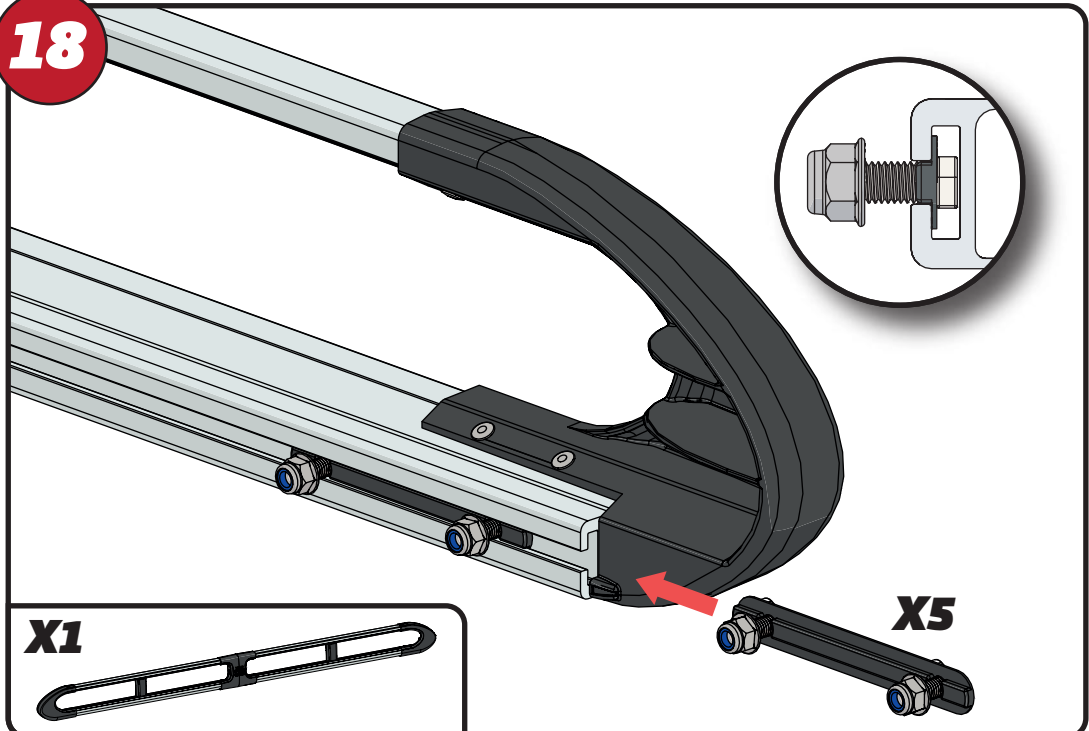
17



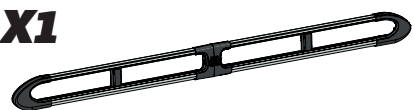
X10



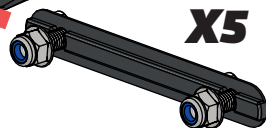
18



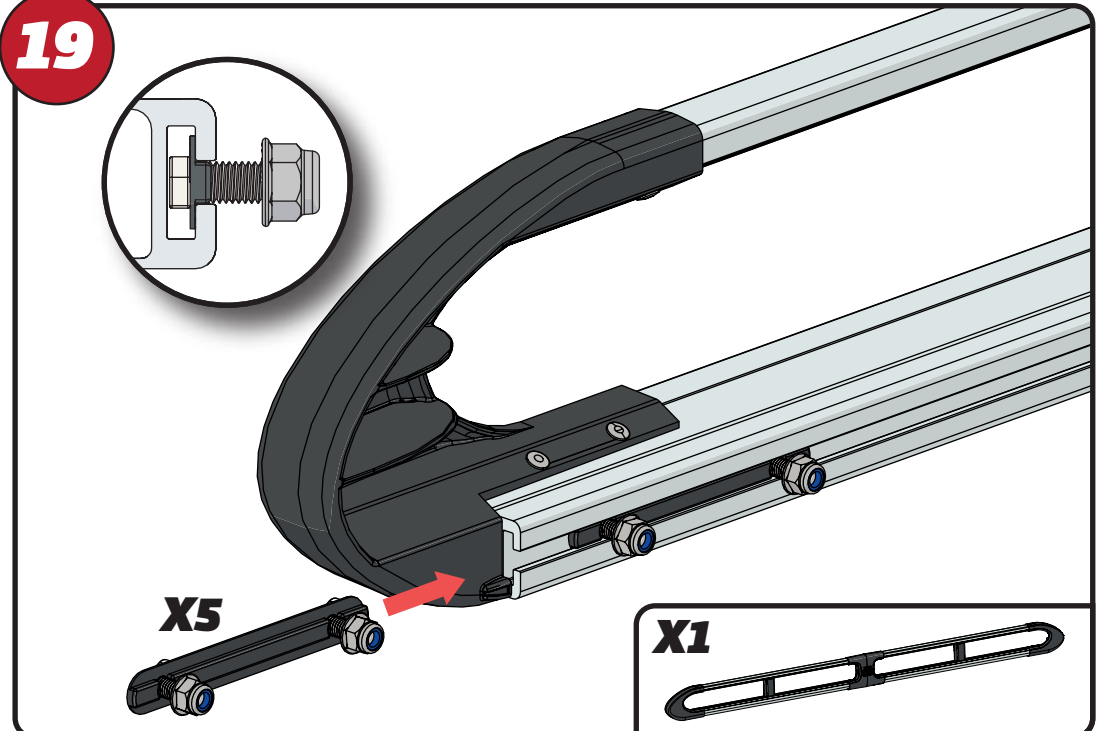
X1



X5



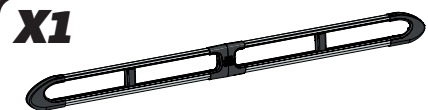
19



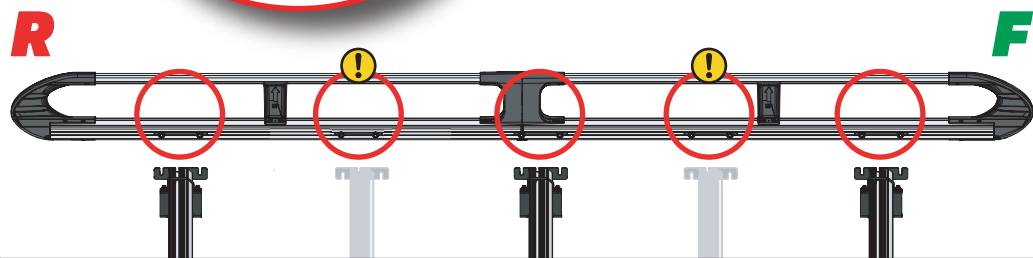
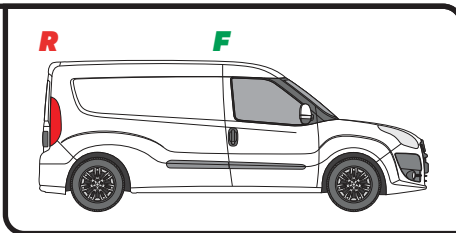
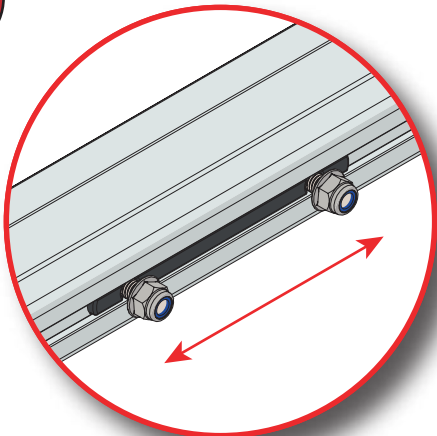
X5



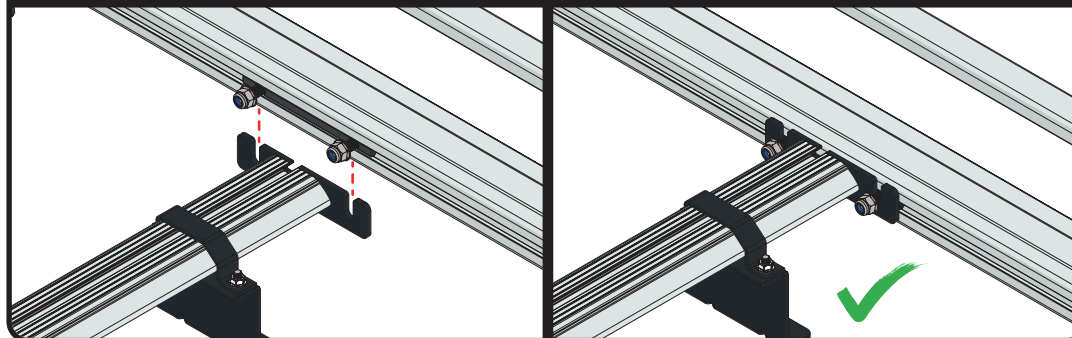
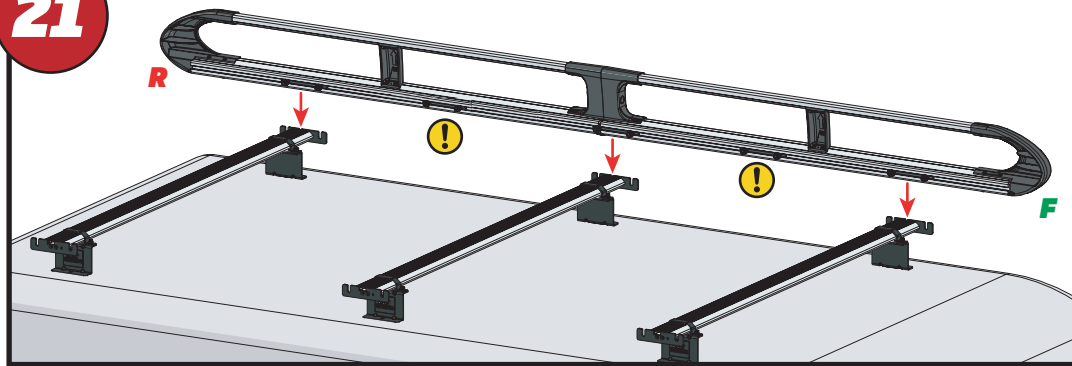
X1



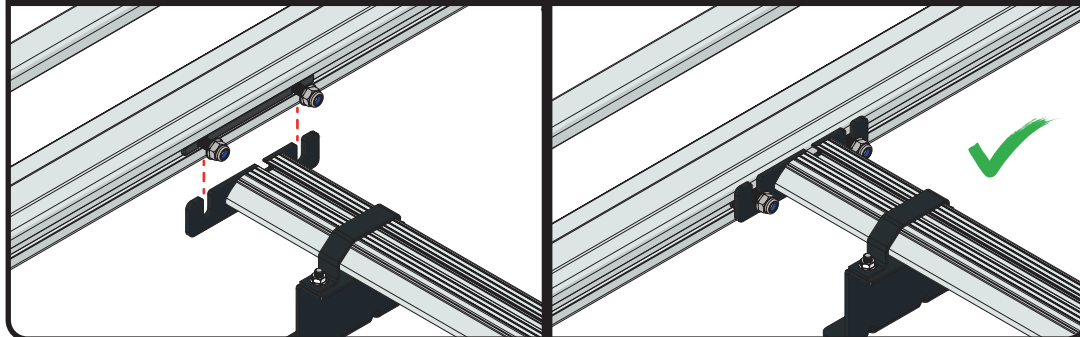
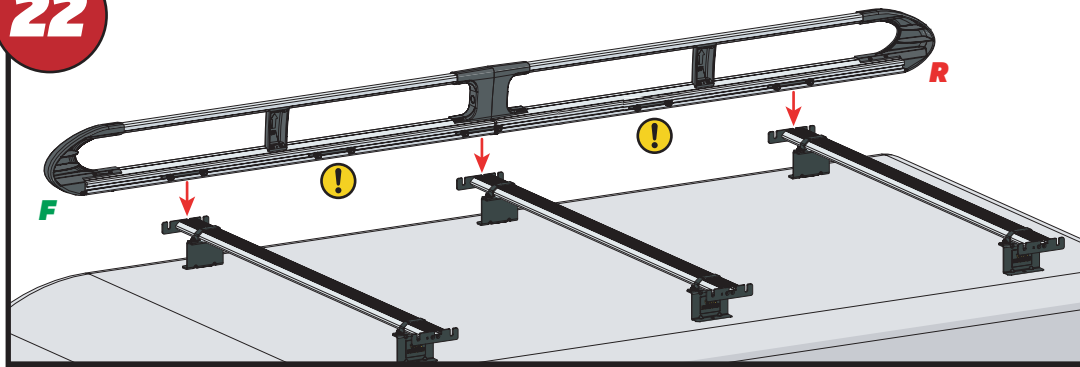
20



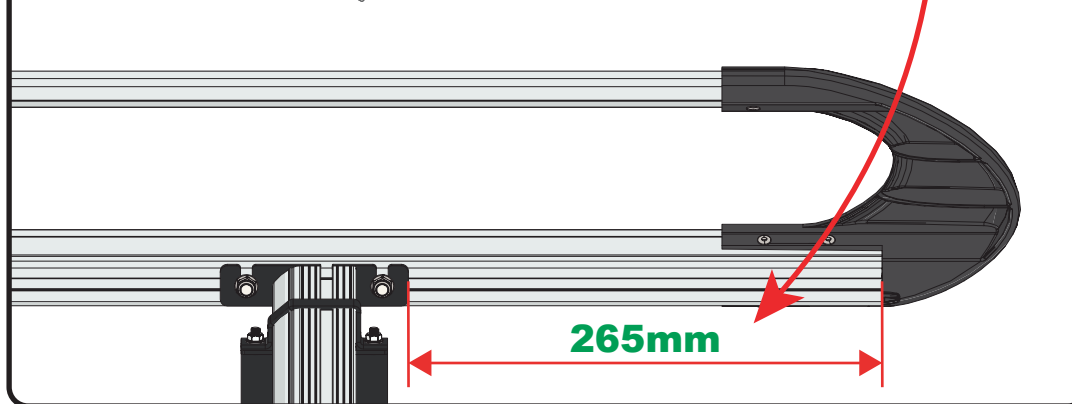
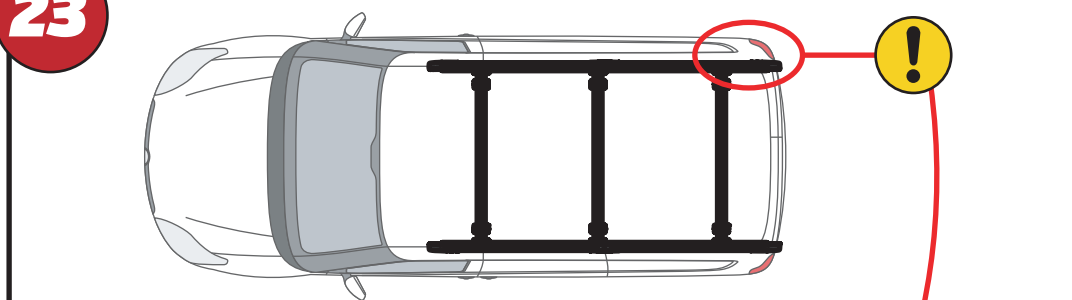
21

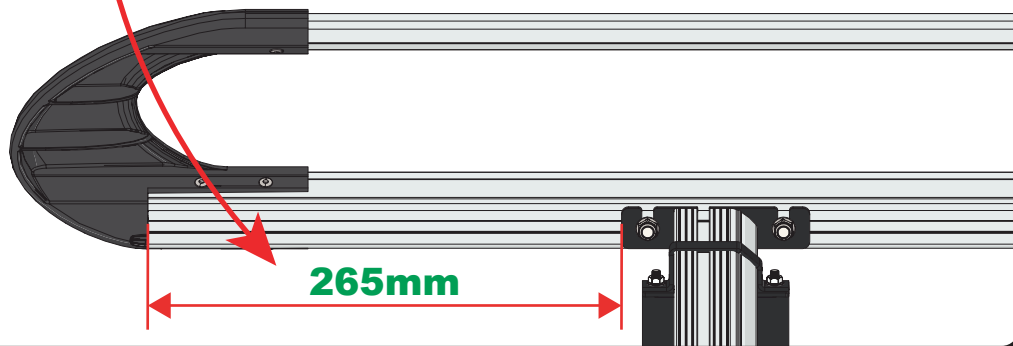
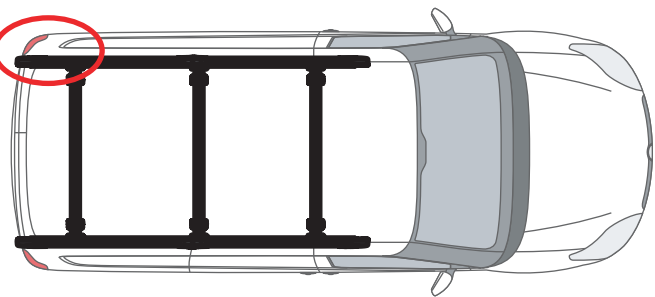
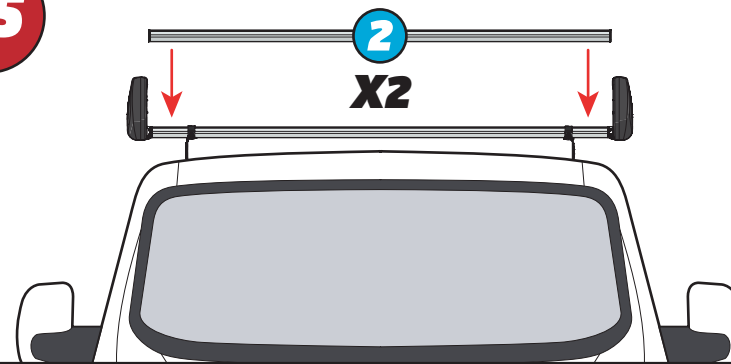
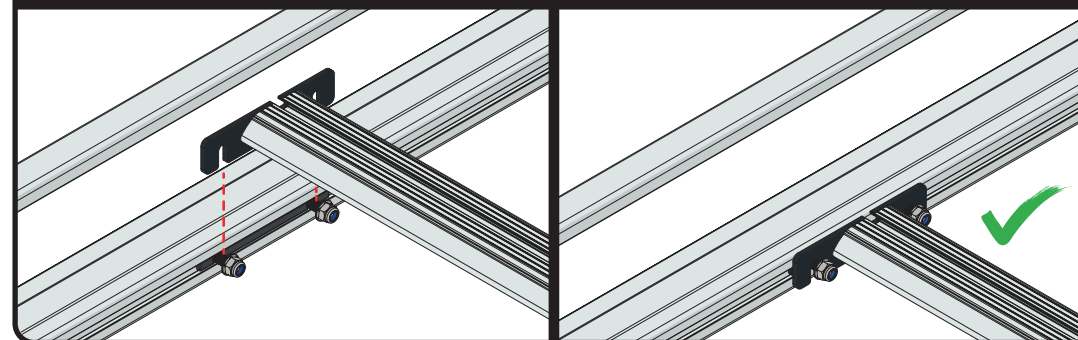
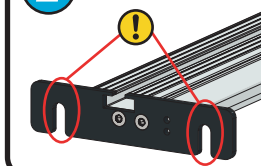
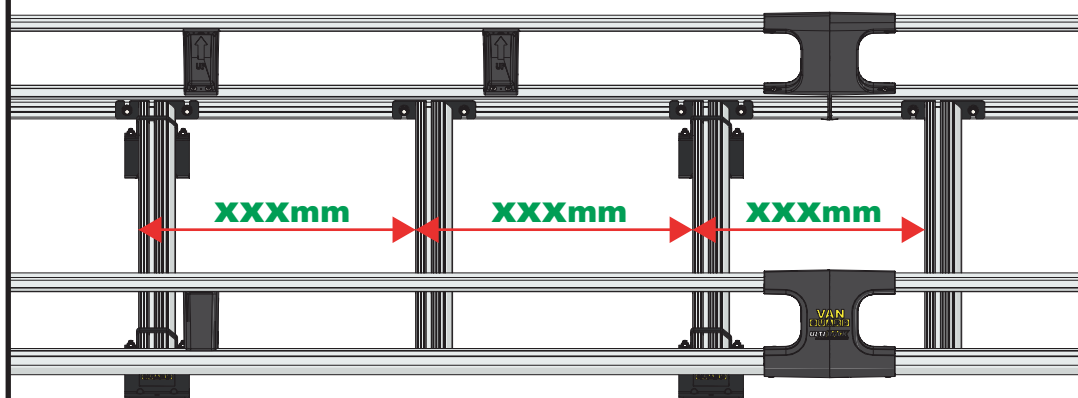
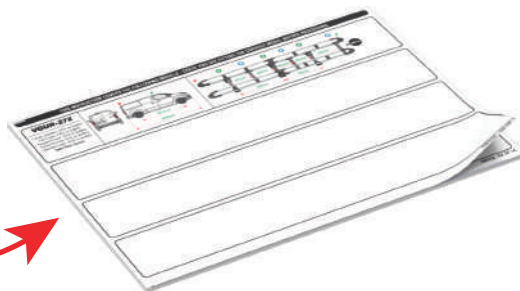
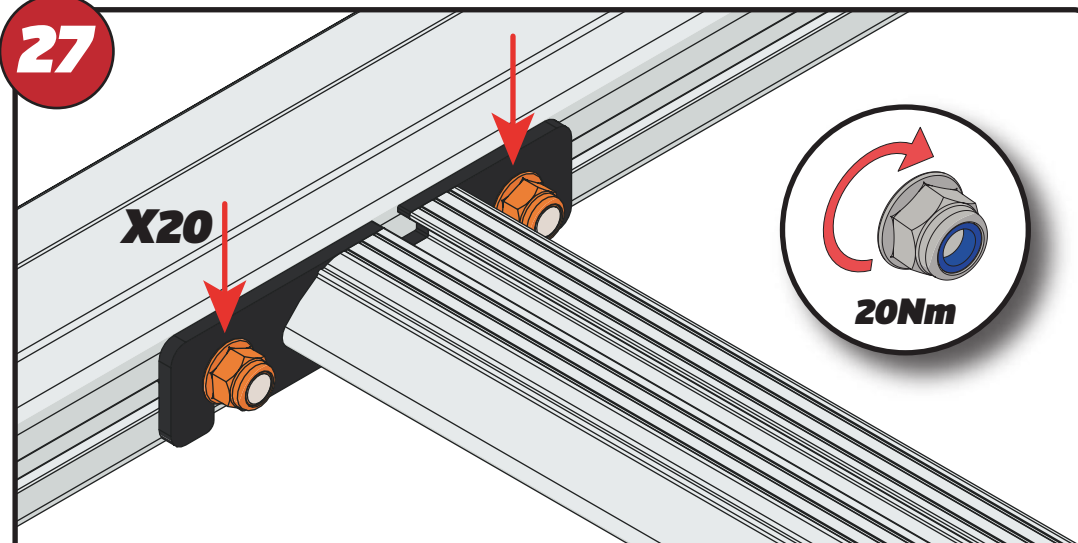


22



23

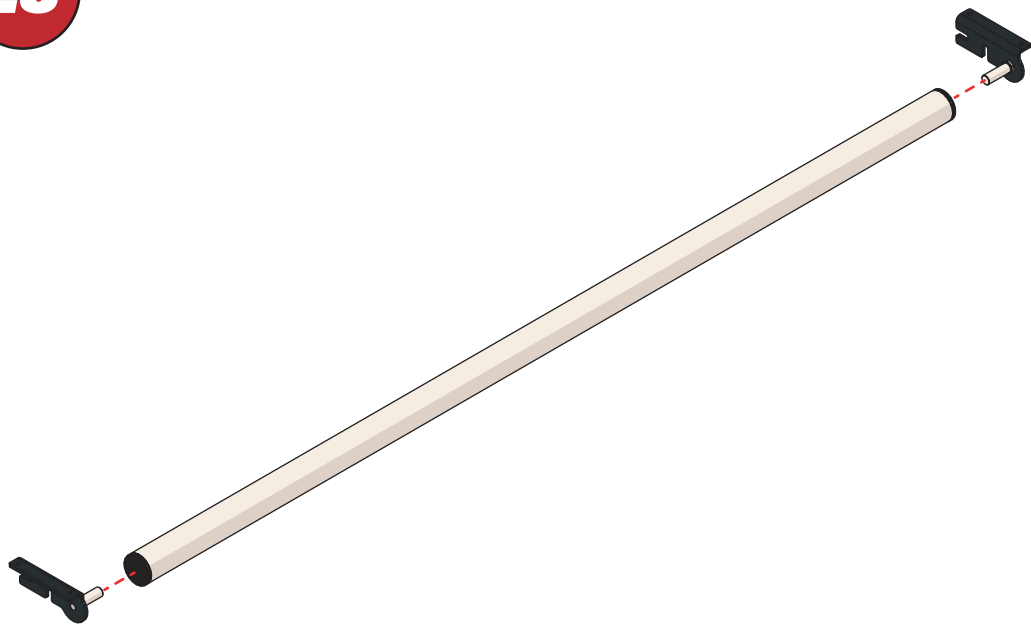


**24****265mm****25****2****2****X2****26****XXX =  
PAGE 2 OF 14****XXXmm****XXXmm****XXXmm****27****X20****20Nm**

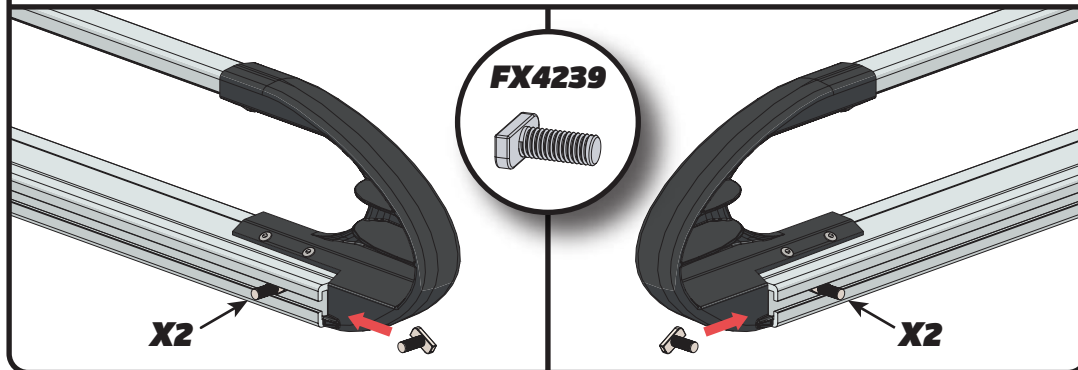
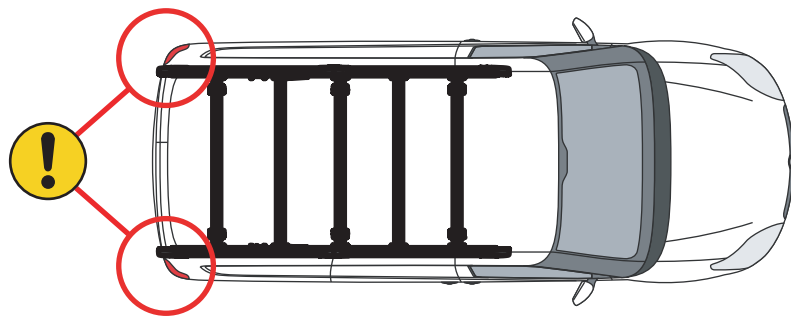
EN - TIGHTEN ALL OF THE CROSS BARS  
 DE - ALLE QUERSTANGEN FESTZIEHEN  
 FR - SERREZ TOUTES LES BARRES TRANSVERSALES  
 NL - DRAAI ALLE DWARSBAKKEN AAN  
 ES - APRIETE TODAS LAS BARRAS TRANSVERSALES  
 IT - STRINGERE TUTTE LE BARRE TRASVERSALI

SV - SPÅÅ ALLA KORSSTANGAR  
 DA - STRÆM ALLE Tværstængerne  
 NO - STREM ALLE TVERRSTENENE  
 PL - DOKRĘCIĆ WSZYSTKIE POPRZECZKI  
 CS - UTAHUJTE VŠECHNY PŘÍČNÉ TYČE

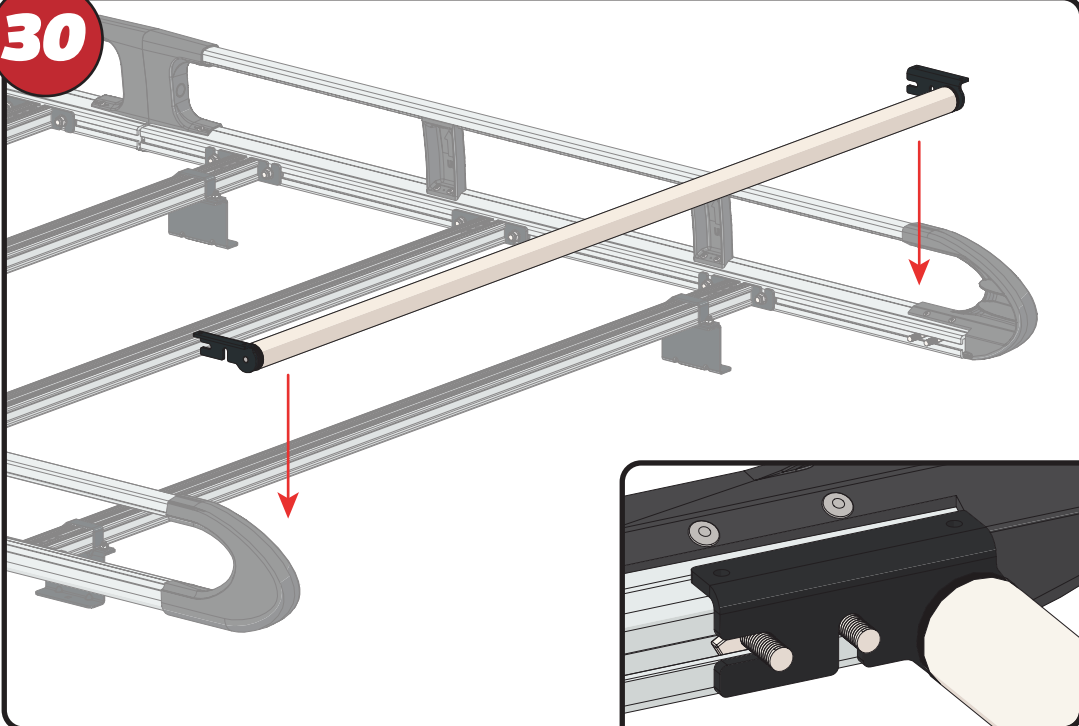
28



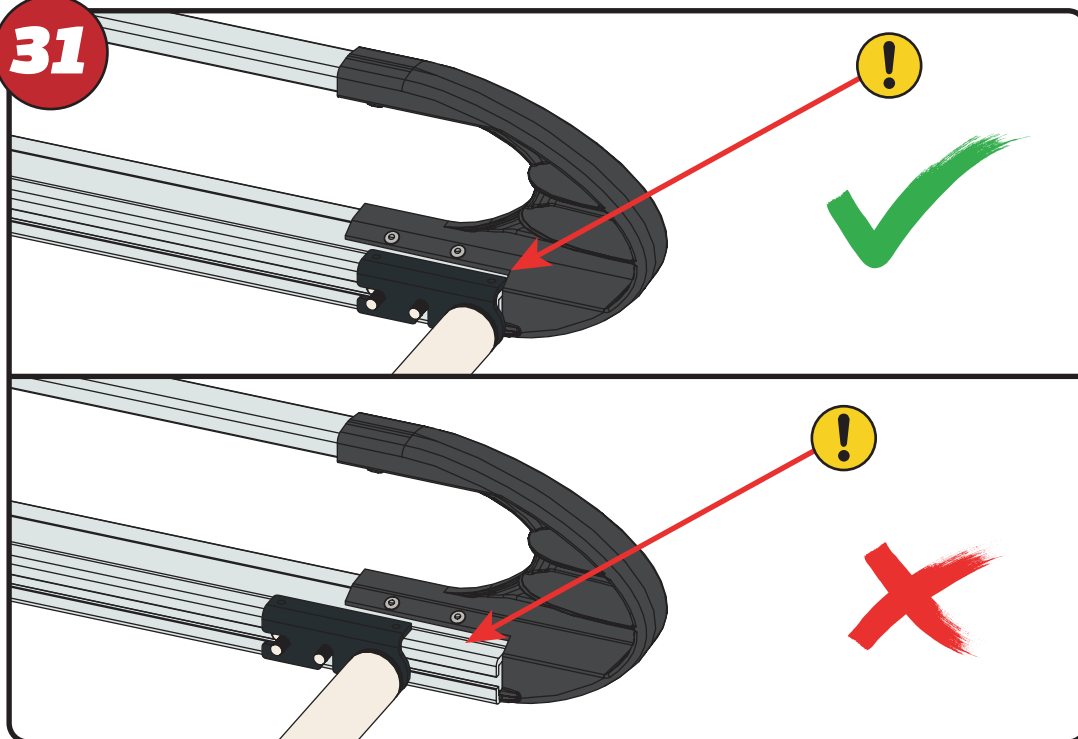
29



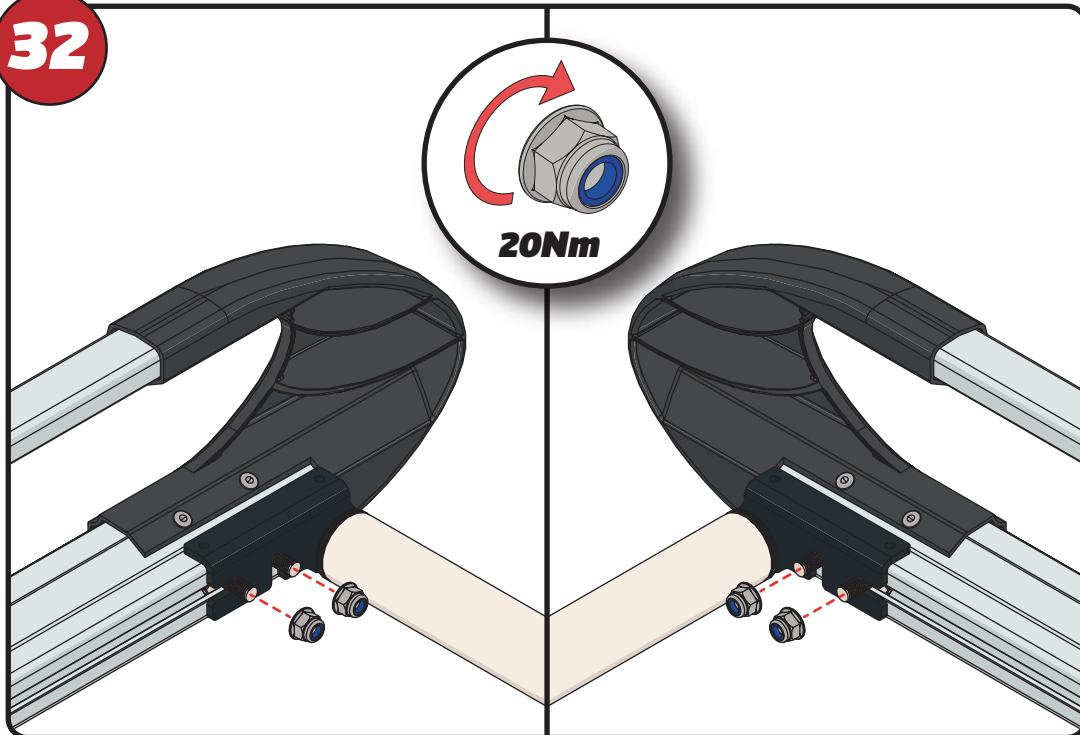
30



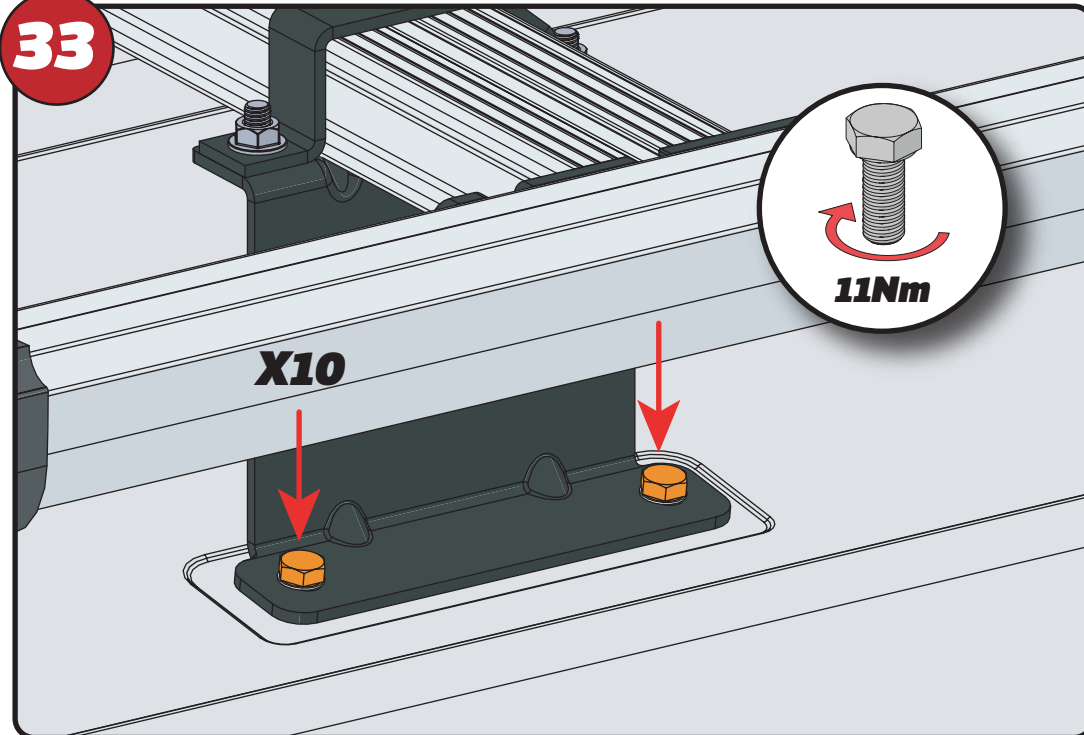
31



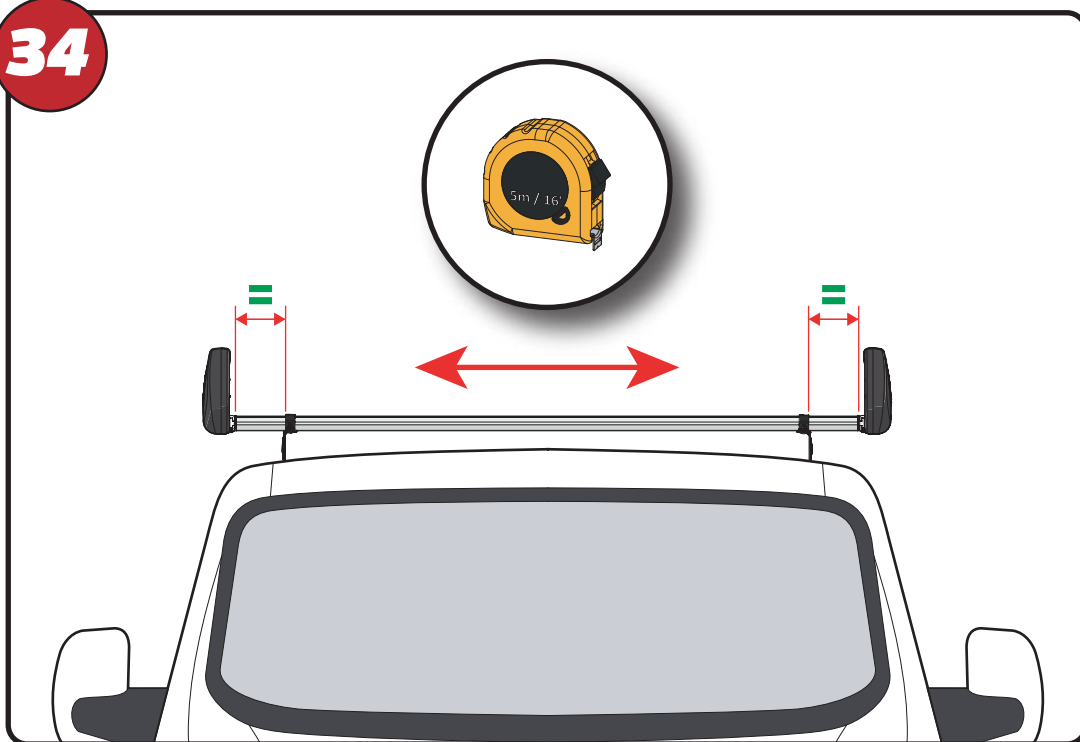
32



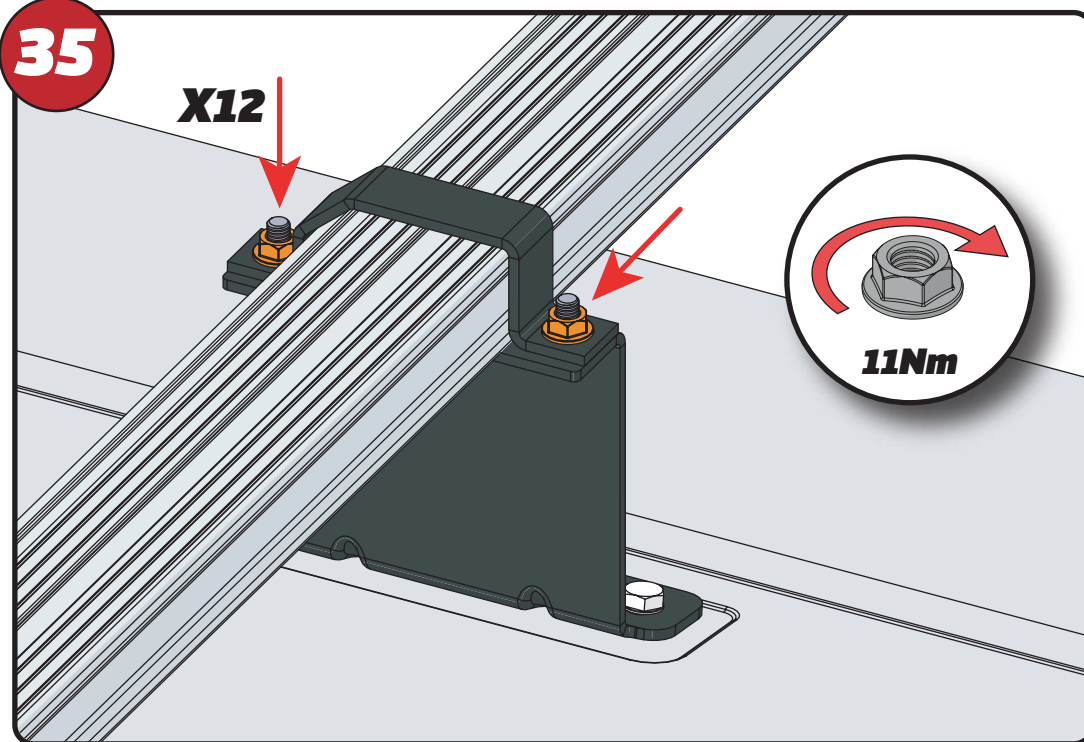
33



34



35

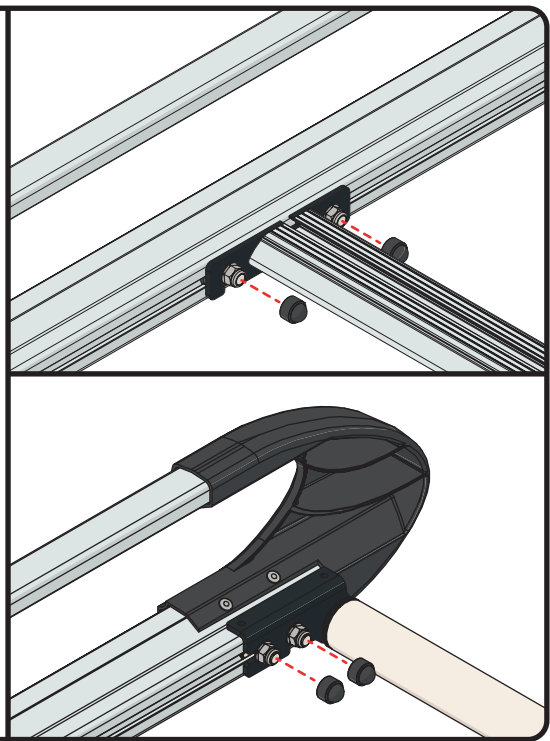


36



FX4241

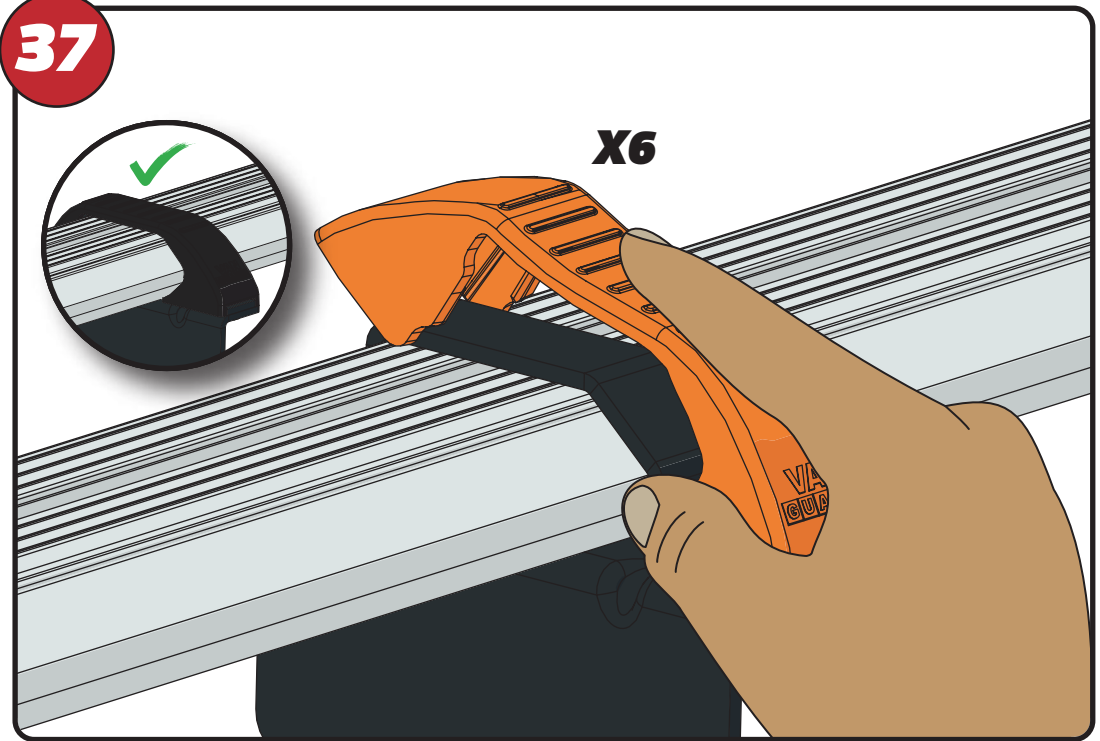
X24



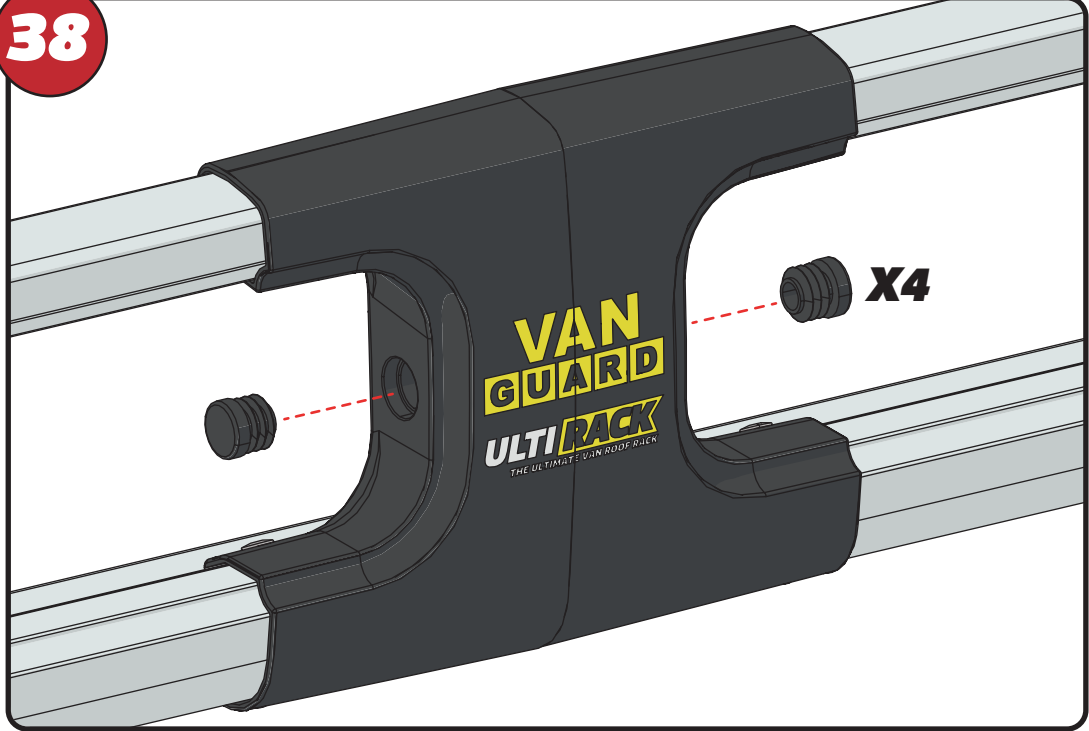
37



X6



38



VAN GUARD  
ULTIRACK  
THE ULTIMATE VAN ROOF RACK

X4

39

