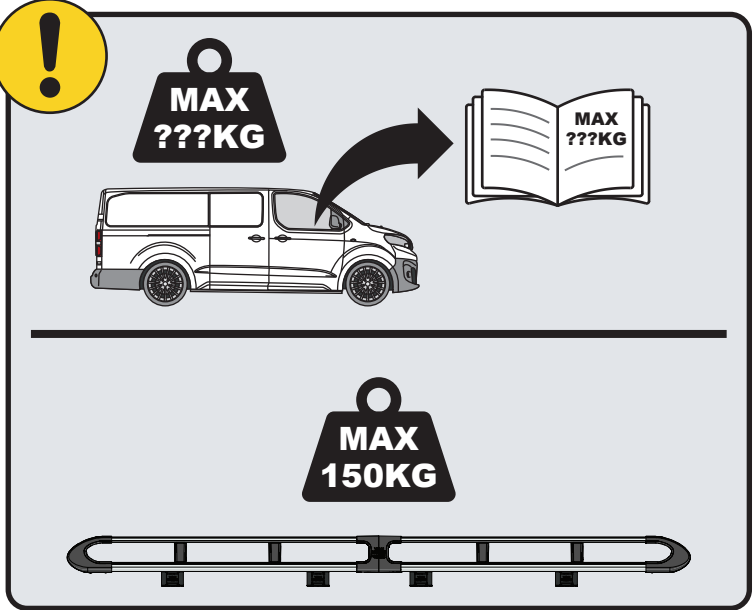
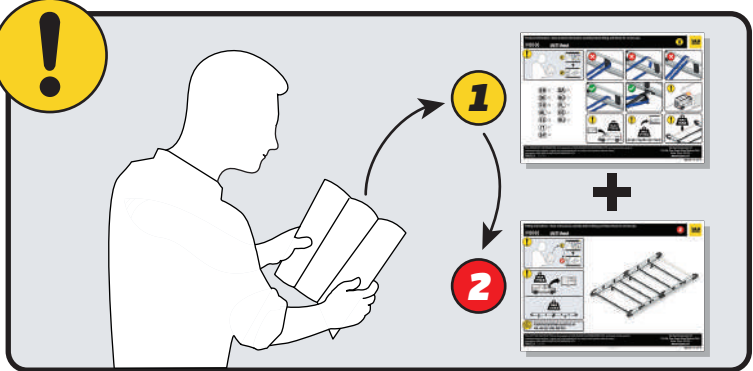


# IN8352

## ULTI Rack+



 [Customercare@van-guard.co.uk](mailto:Customercare@van-guard.co.uk)  
UK +44 (0) 1392 368 351



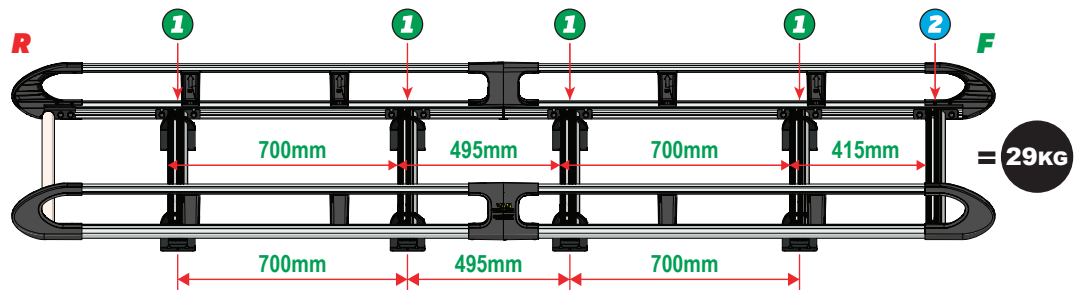
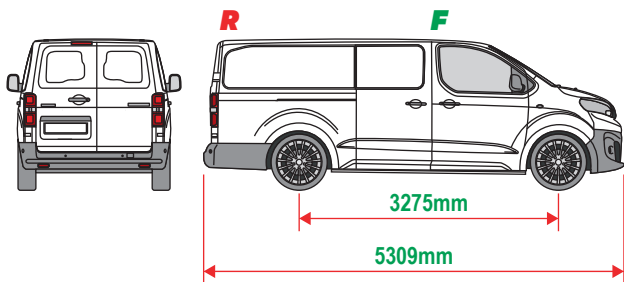
This FITTING INSTRUCTION is the property of VAN GUARD ACCESSORIES LTD. and must not be used for manufacturing purposes, copied nor communicated in any way to third parties without written permission from VAN GUARD ACCESSORIES LTD.  
IN8352\_B (CN:00356)

Van Guard Accessories Ltd  
Fair Oak Close, Exeter Airport Business Park,  
Exeter, Devon, EX5 2UL  
[www.van-guard.co.uk](http://www.van-guard.co.uk)

THIS INSTRUCTION COVERS THE FOLLOWING MODELS - CHECK YOU ARE FITTING THE CORRECT MODEL BEFORE PROCEEDING

# VGUR-273

Citroen Dispatch: 2016 on (L3H1)  
Fiat Scudo: 2022 on (L3H1)  
Peugeot Expert: 2016 on (L3H1)  
Toyota Pro-Ace: 2016 on (L3H1)  
Vauxhall Vivaro: 2019 on (L2H1)  
**Twin Rear Doors**



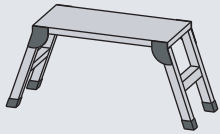
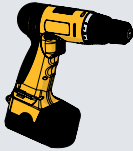
**SUPPLIED COMPONENTS - CHECK ALL PARTS ARE PRESENT AND CORRECT BEFORE PROCEEDING (1 OF 2)**

**TOOLS REQUIRED**

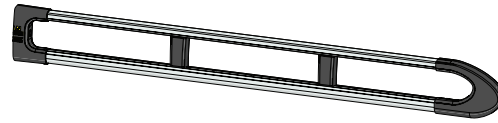
**10MM X1**



**13MM X1**



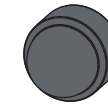
**AS3539 X2**  
(2800 / A)



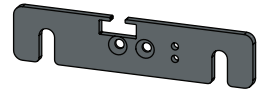
**MA6118 X10**



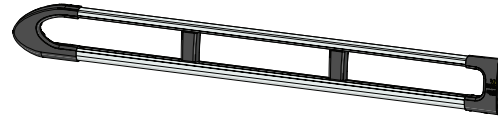
**FX4241 X24**



**ME1622 X1**



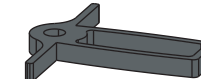
**AS3538 X2**  
(2800 / B)



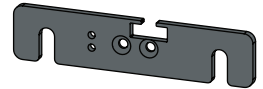
**FX4008 X1**



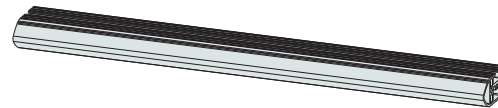
**MA6145 X1**



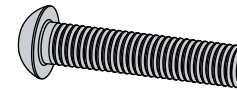
**ME1623 X1**



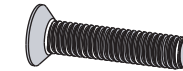
**ME1627 X5**  
(1354mm)



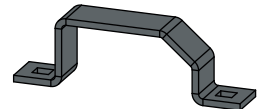
**FX4001 X2**  
(M8X40)



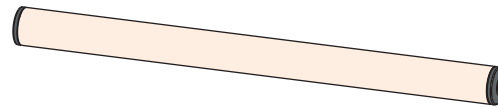
**FX4235 X20**  
(M5X25)



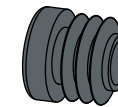
**ME0203 X8**



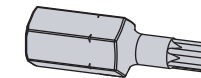
**AS3159 X1**  
(1340mm)



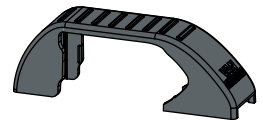
**MA6007 X4**



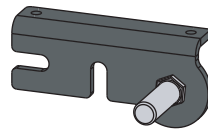
**FX4248 X1**  
(T25)



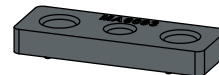
**MA6065 X8**



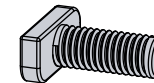
**AS3590 X1**



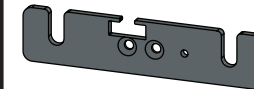
**MA6093 X10**



**FX4239 X24**  
(M8X20)



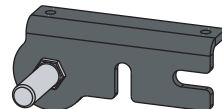
**ME1620 X4**



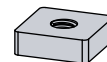
**FX4016 X16**  
(M6)



**AS3591 X1**



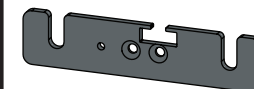
**ME0316 X10**



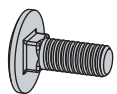
**FX4240 X24**  
(M8)



**ME1621 X4**

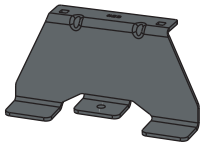


**FX4042 X16**  
(M6X16)



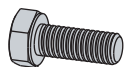
SUPPLIED COMPONENTS - CHECK ALL PARTS ARE PRESENT AND CORRECT BEFORE PROCEEDING (2 OF 2)

ME0823 X1

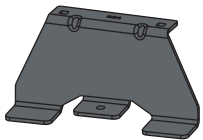


FX4012 X8

(M6X16)



ME0824 X1

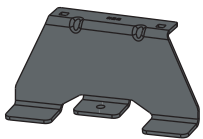


FX4017 X8

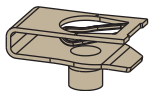
(M6)



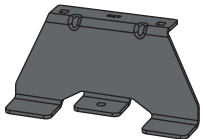
ME0826 X1



FX4126 X8



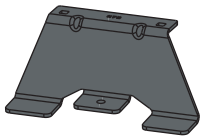
ME0827 X1



MA6081 X16



ME0872 X4



FX4010 X8

(M6)



**01**

**1L**



**X4**

**1R**



**X4**



**2L**



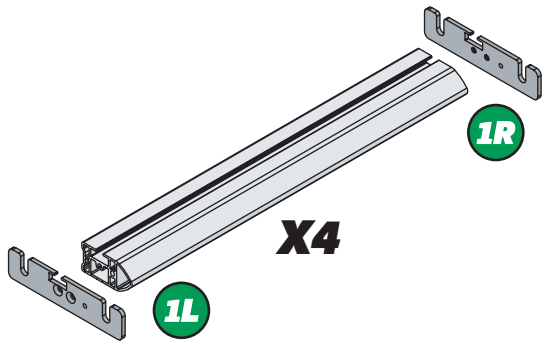
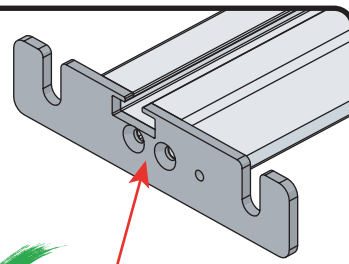
**X1**

**2R**



**X1**

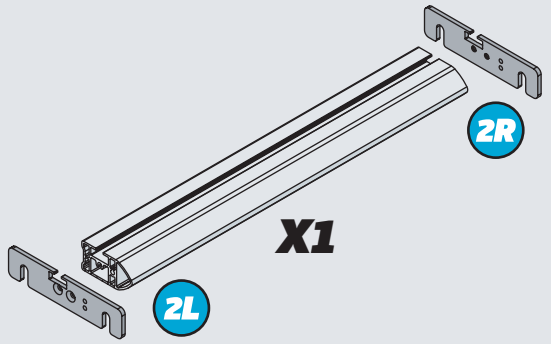
**02**



**1L**

**1R**

**X4**



**2L**

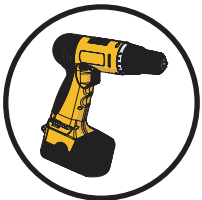
**2R**

**X1**

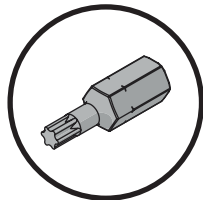


**03**

**01**

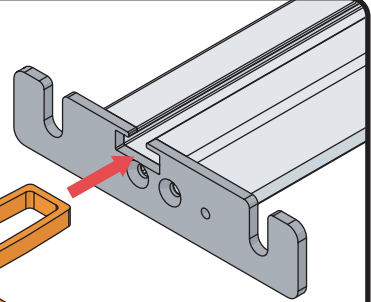
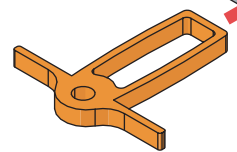


**+**



**FX4248**

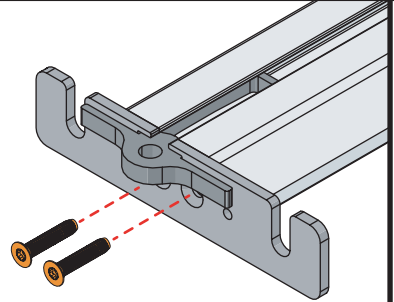
**02**



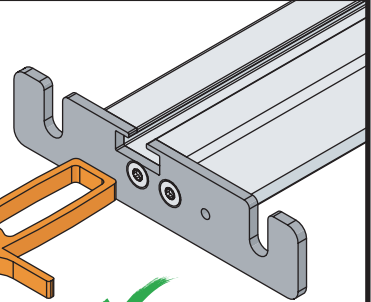
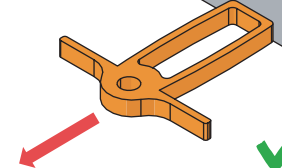
**03**



**11Nm**



**04**

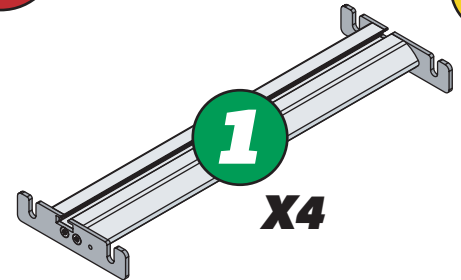


**04**



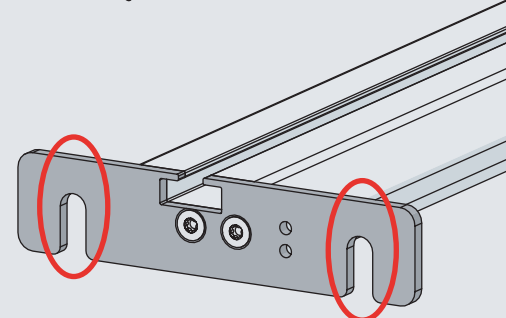
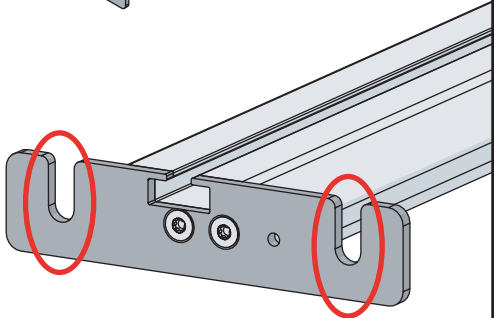
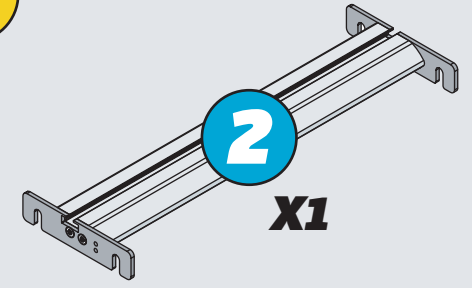
**1**

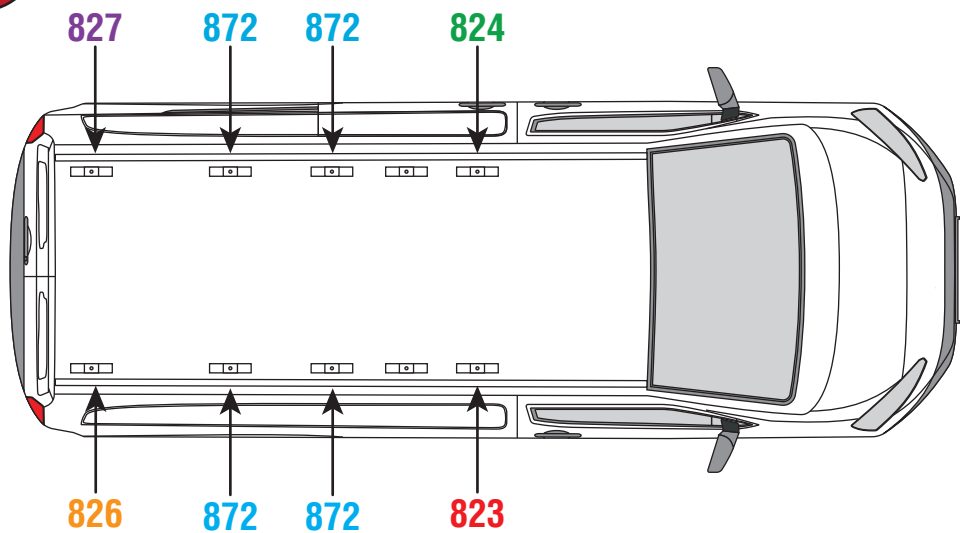
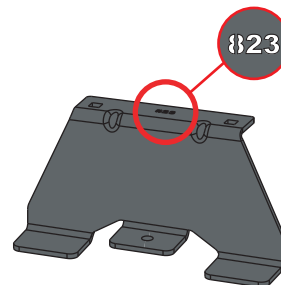
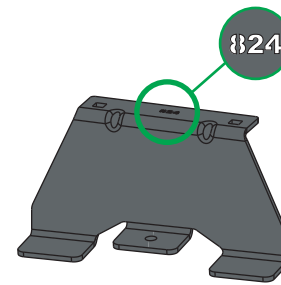
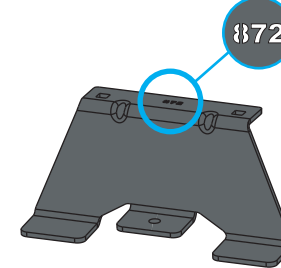
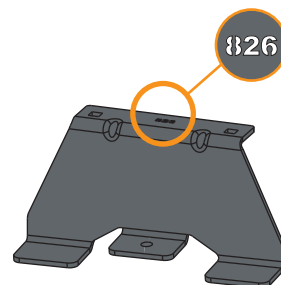
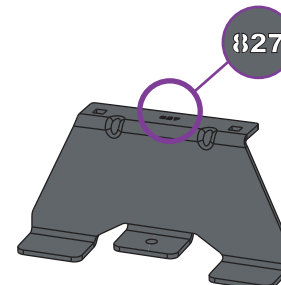
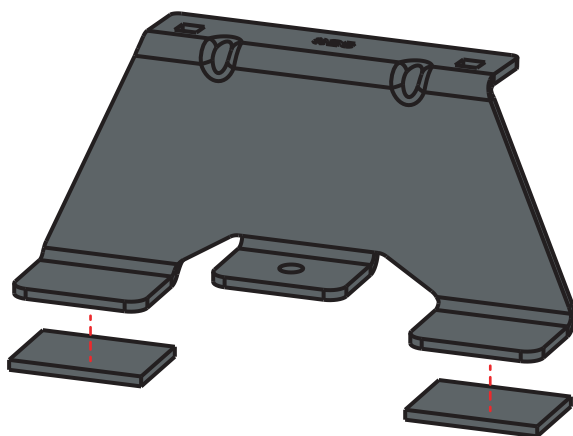
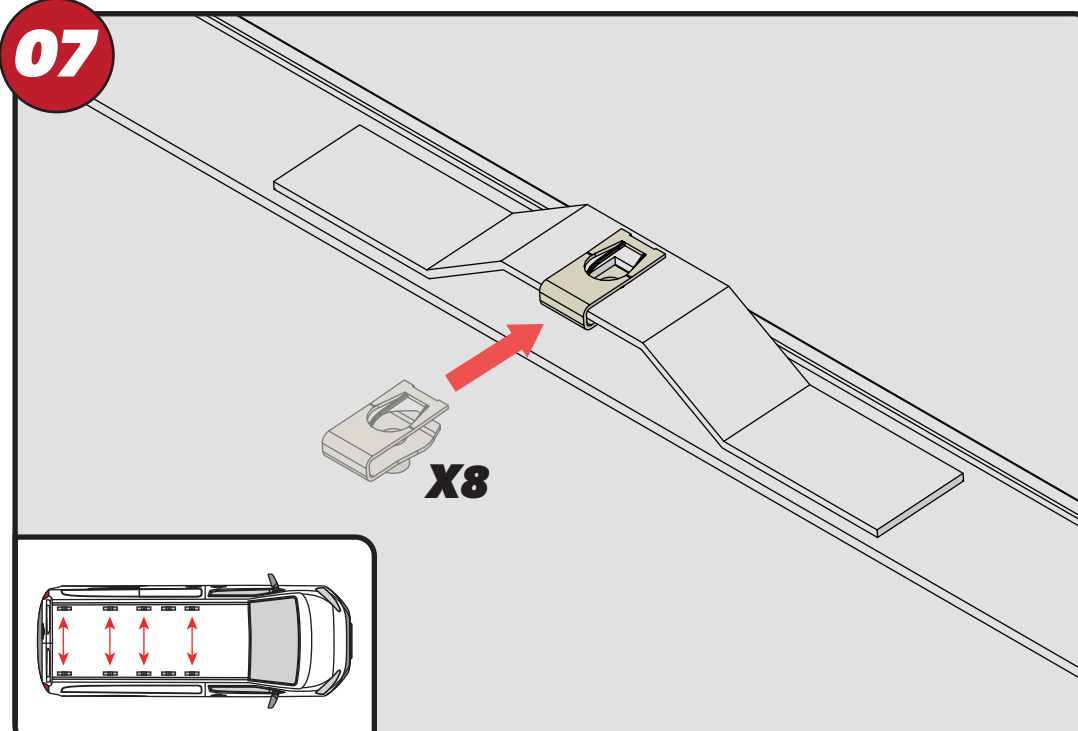
**X4**



**2**

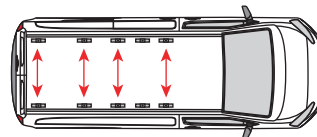
**X1**

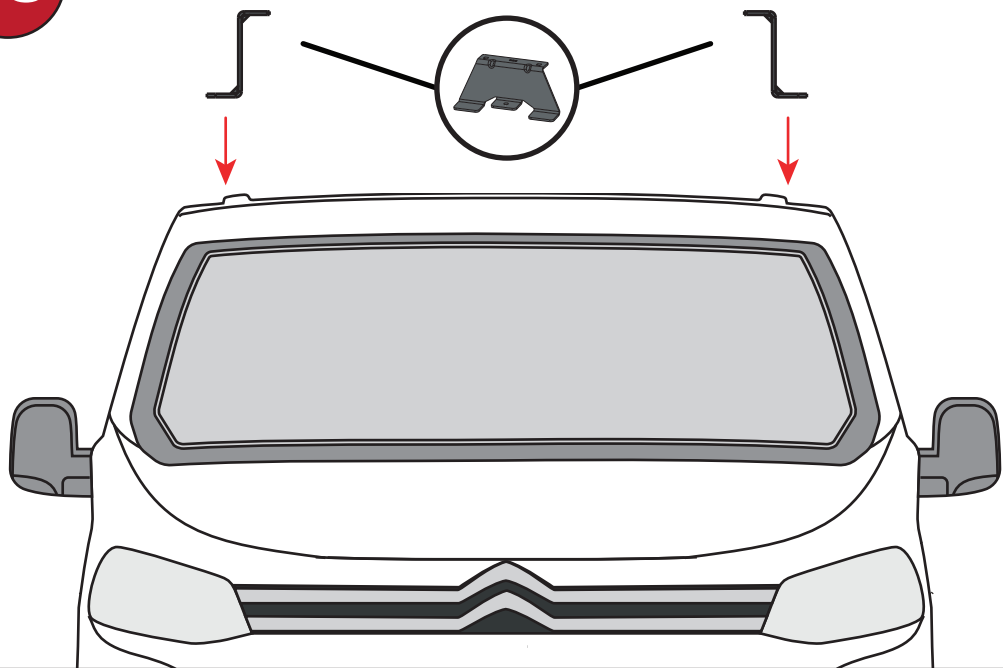
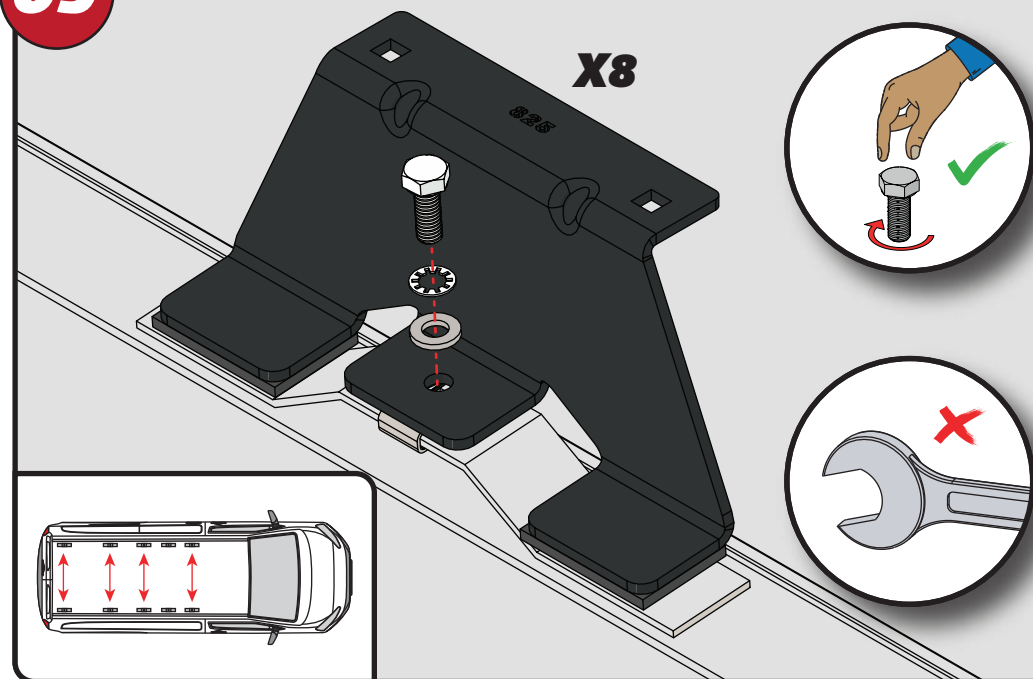
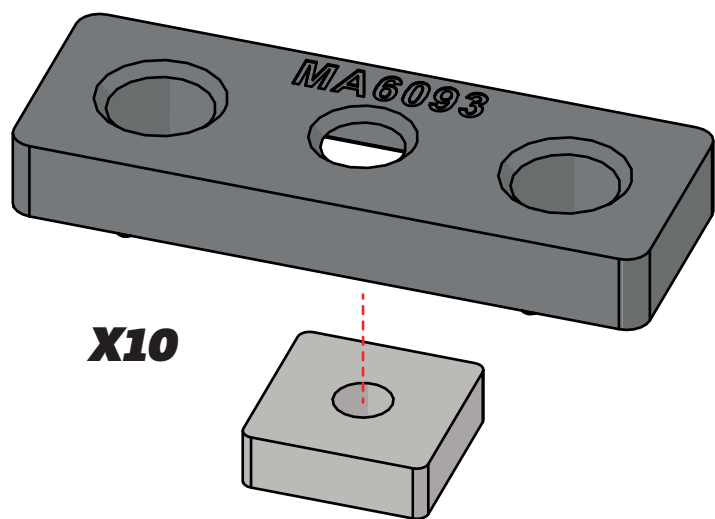
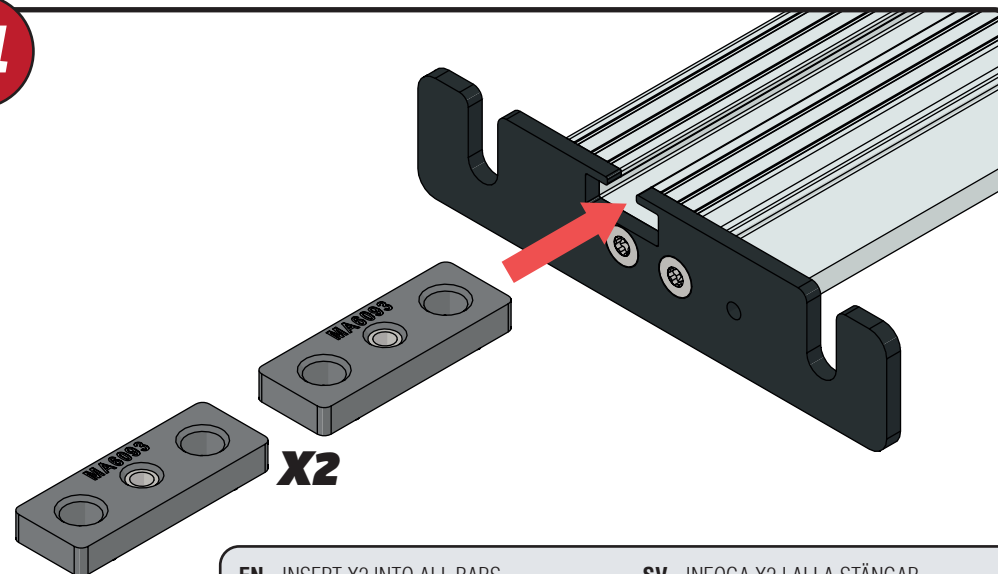


**05****823****824****872****826****827****06****07**

EN - STICK GASKETS TO ALL BRACKETS  
 DE - KLEBEN SIE DIE DICHTUNG AN ALLEN HALTERUNGEN  
 FR - COUSSINETS ADHÉSIFS À TOUS LES SUPPORTS  
 NL - PLAK PAKKING OP ALLE BEUGELS  
 ES - PEGA LAS ALMOHADILLAS A TODOS LOS SOPORTES  
 IT - ADESIVI GUARNIZIONI A TUTTE LE STAFFE

SV - FÄST GUMMI PÅ ALLA FÄSTEN  
 DA - KLÆB GUMMI PÅ ALLE BESLAG  
 NO - PLIST GUMMI PÅ ALLE BRAKKETTER  
 PL - NAKLEJ USZCZELKI DO WSZYSTKICH WSPORNIKÓW  
 CS - PŘILEPTE TĚSNĚNÍ NA VŠECHNY DRŽÁKY



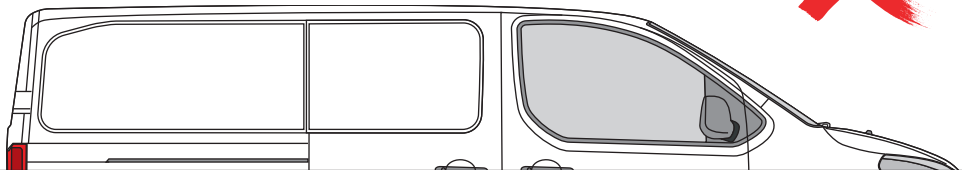
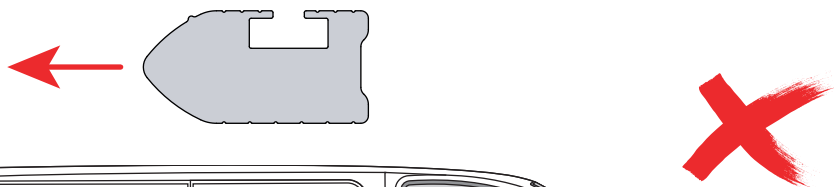
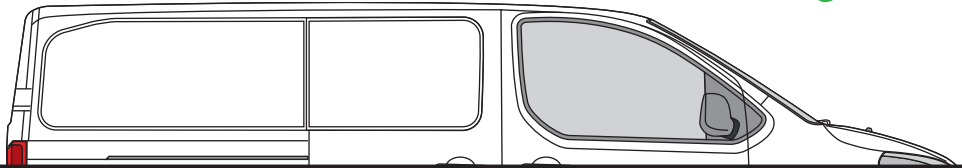
**08****09****10****11**

EN - INSERT X2 INTO ALL BARS  
 DE - X2 IN ALLE STANGEN EINFÜGEN  
 FR - INSÉRER X2 DANS TOUTES LES BARRES  
 NL - PLAATS X2 IN ALLE BARRAS  
 ES - INSERTAR X2 EN TODAS LAS BARRAS  
 IT - INSERIRE X2 IN TUTTE LE BARRE

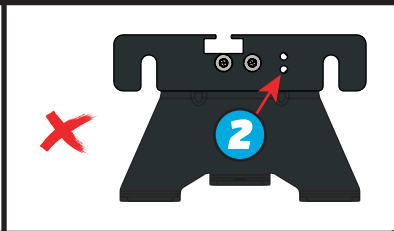
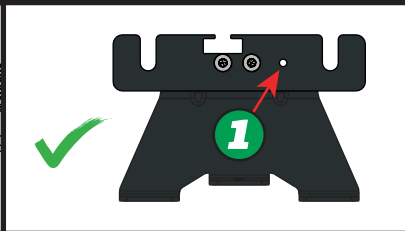
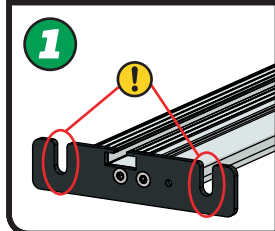
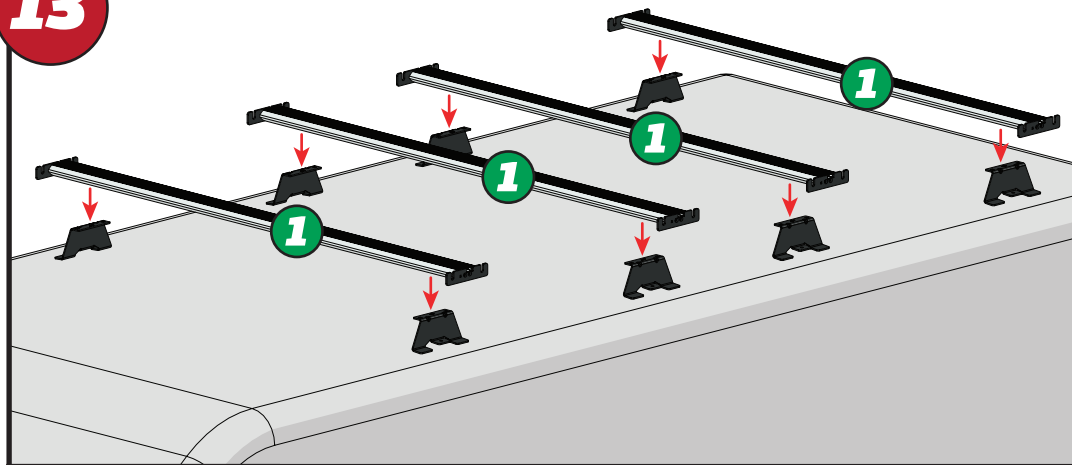
SV - INFOGA X2 I ALLA STÄNGAR  
 DA - INDSÆT X2 I ALLE STÆNGER  
 NO - SETT X2 INN I ALLE TAKSTENGER  
 PL - WSTAW X2 DO WSZYSTKICH PRĘTÓW  
 CS - VLOŽTE X2 DO VŠECH TYČÍ



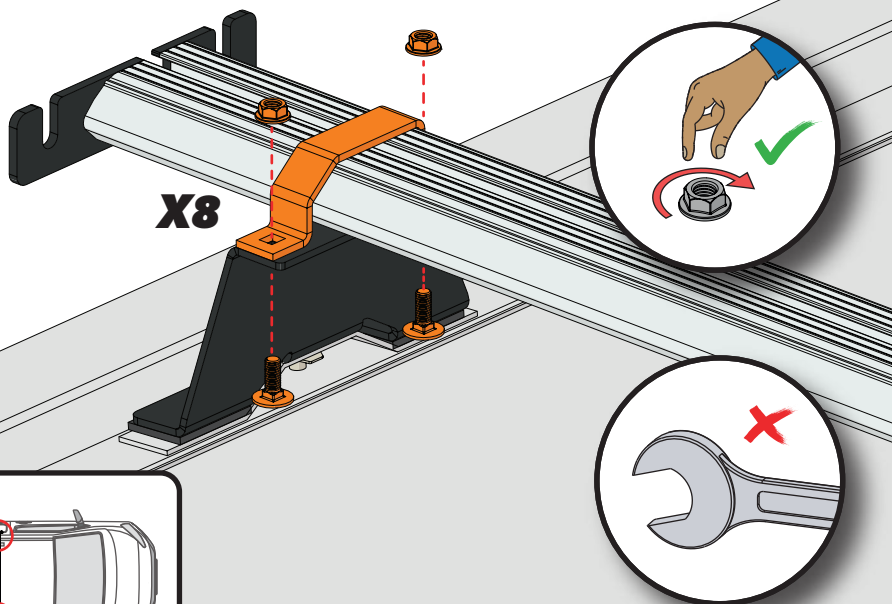
12



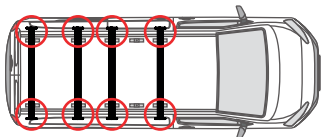
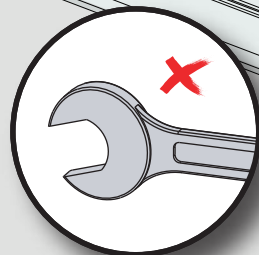
13



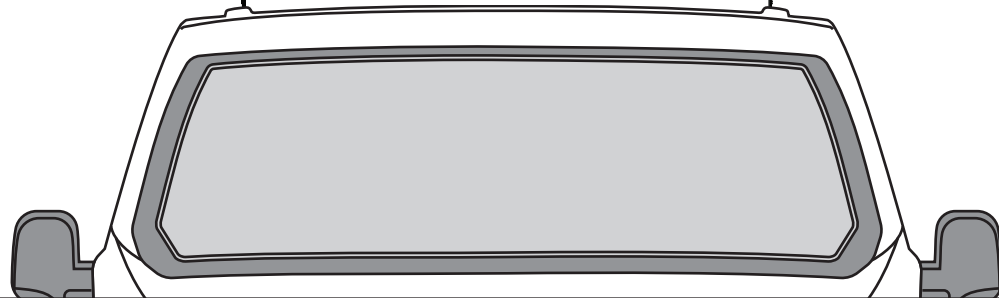
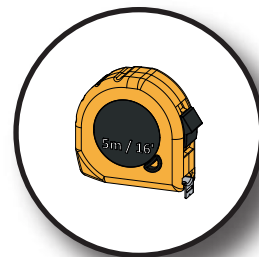
14



X8



15

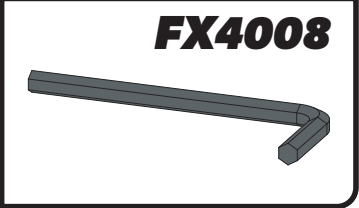
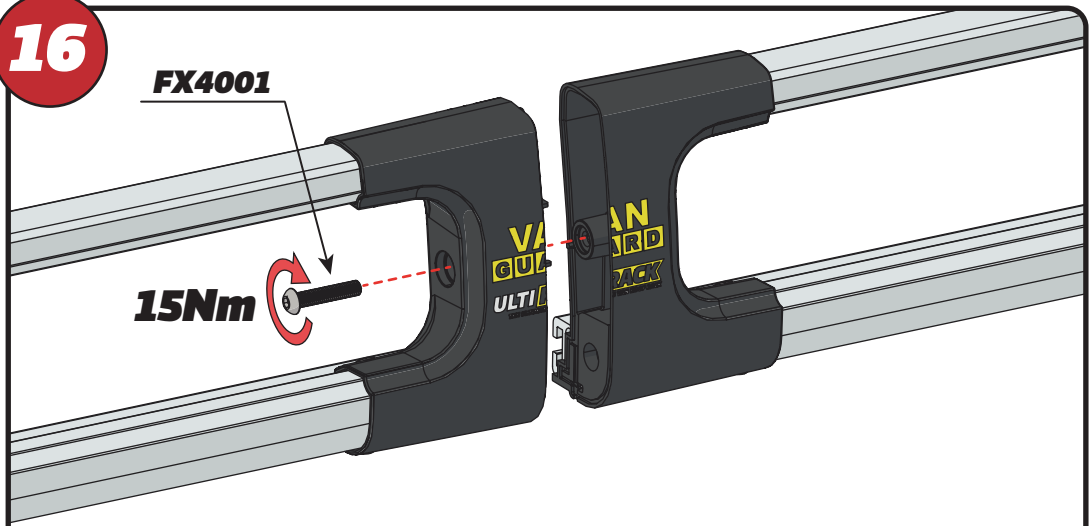




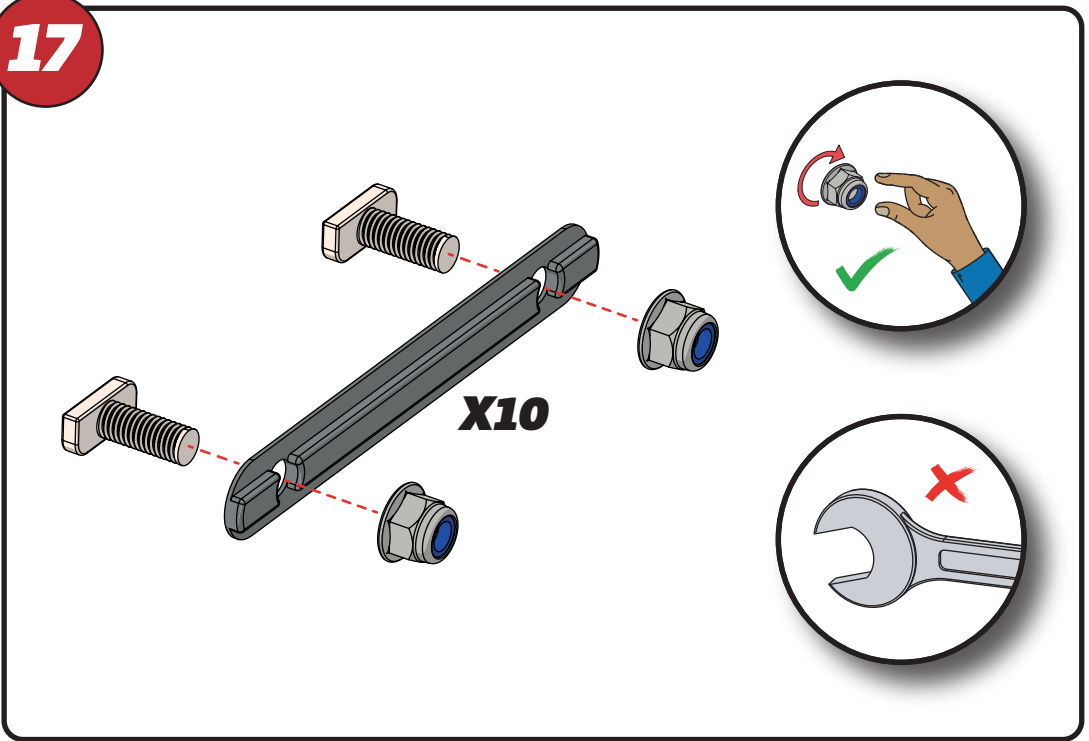
16

FX4001

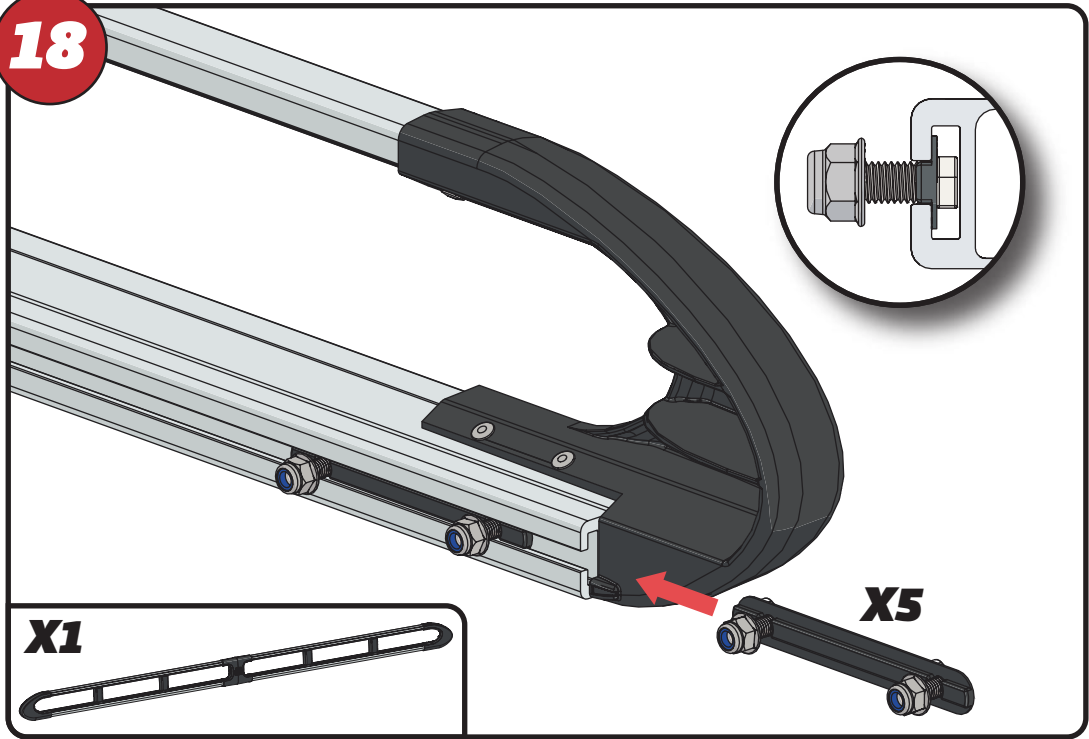
15Nm



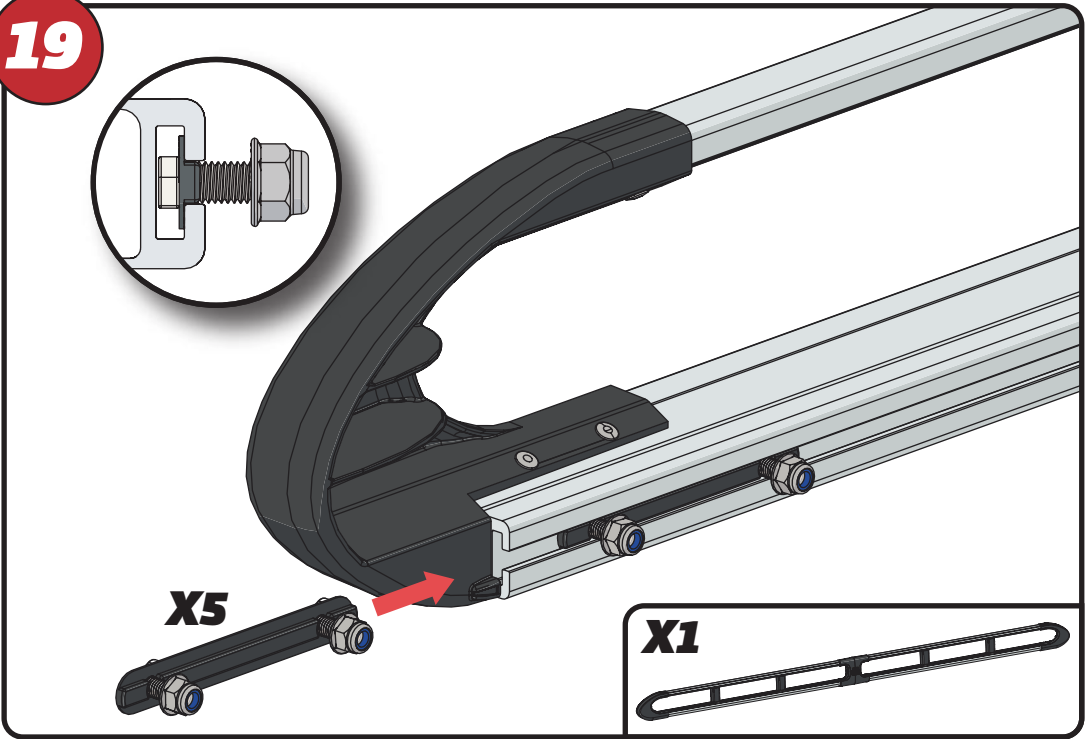
17



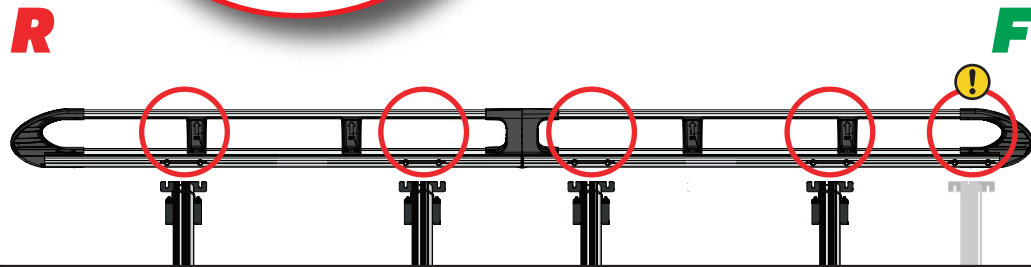
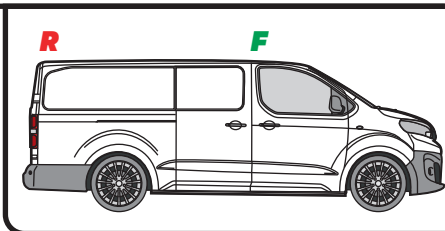
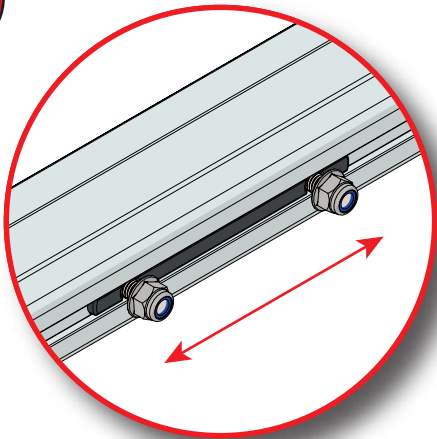
18



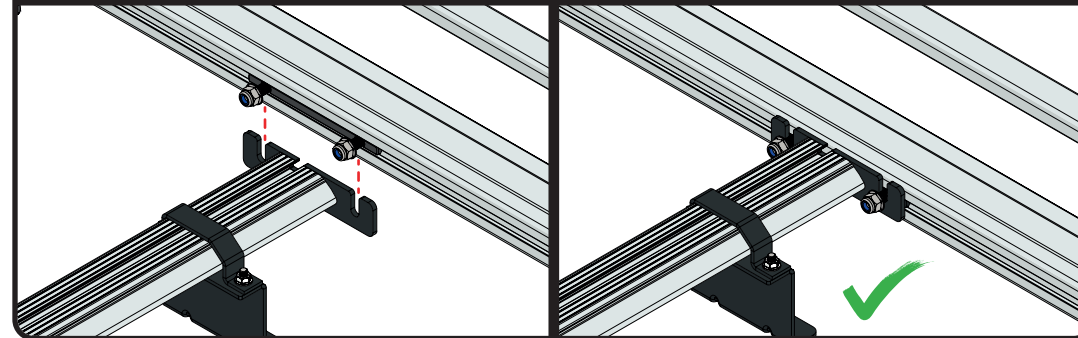
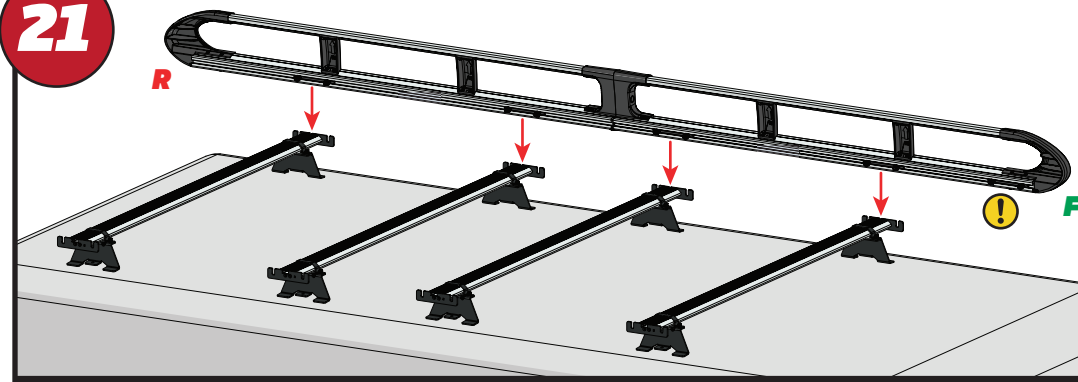
19



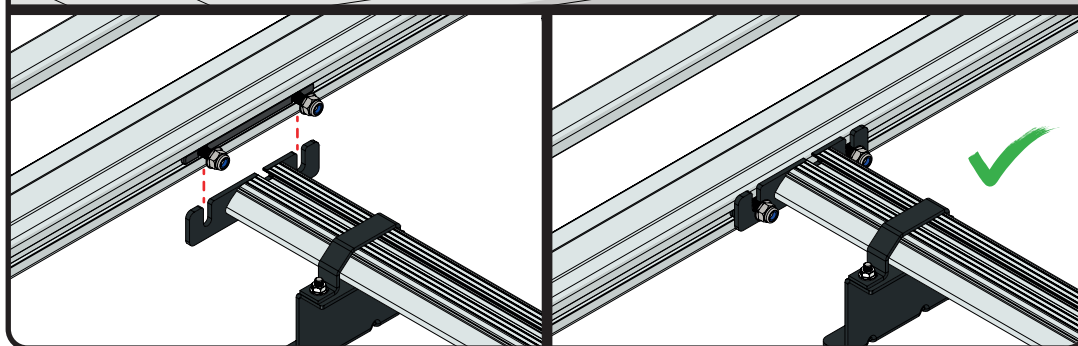
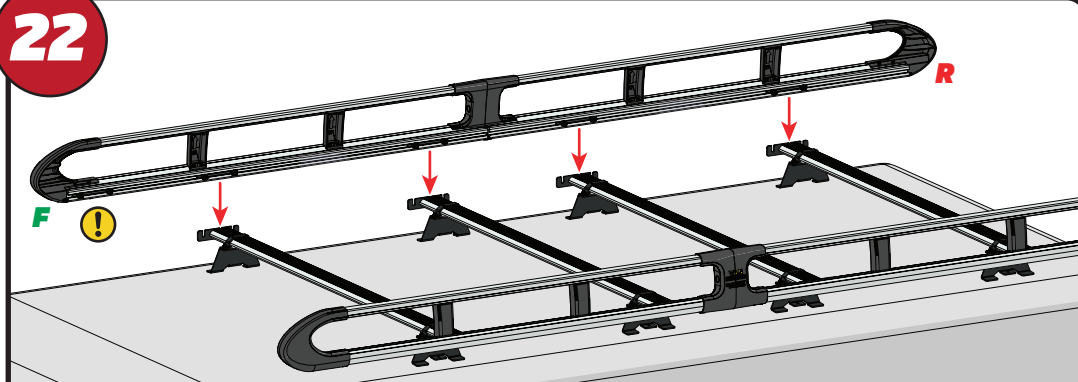
20



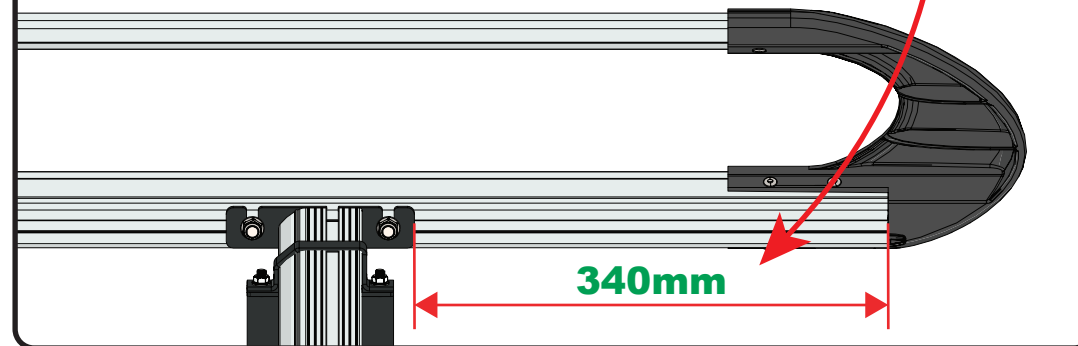
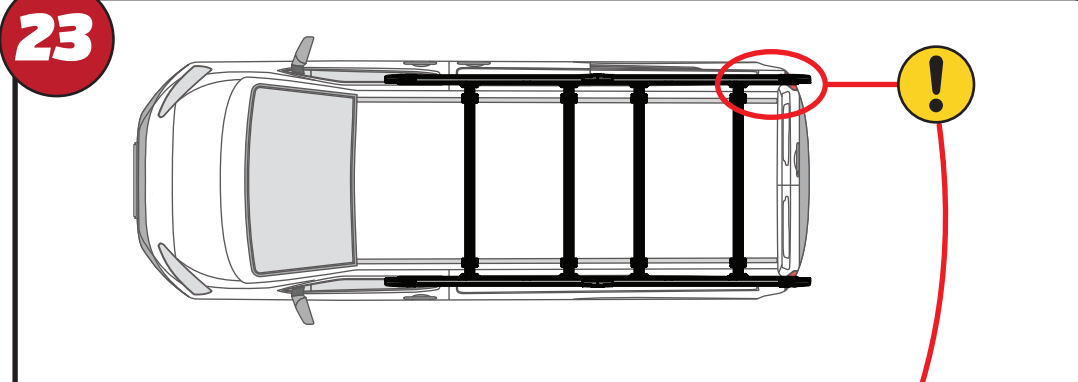
21

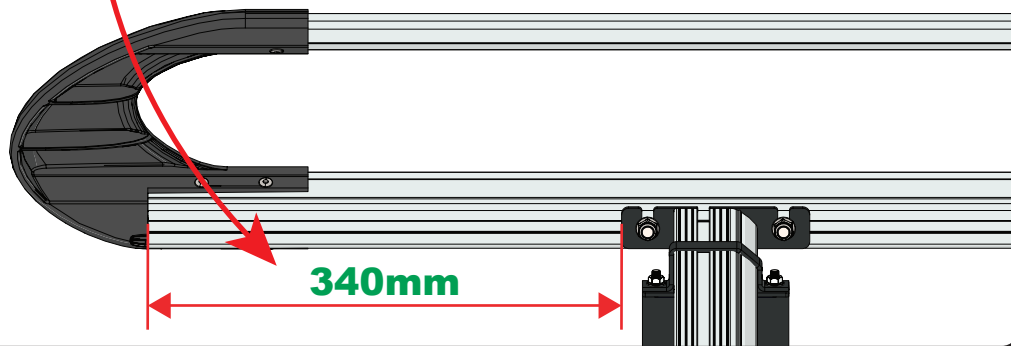
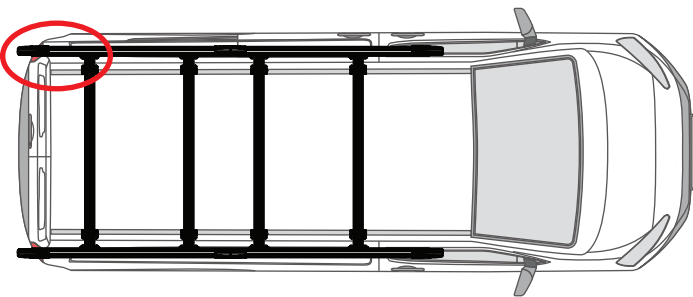
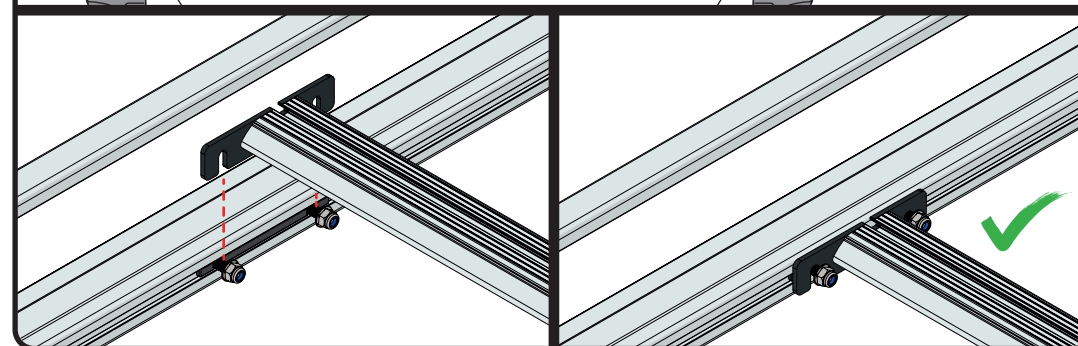
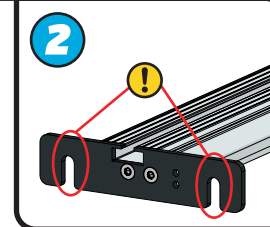
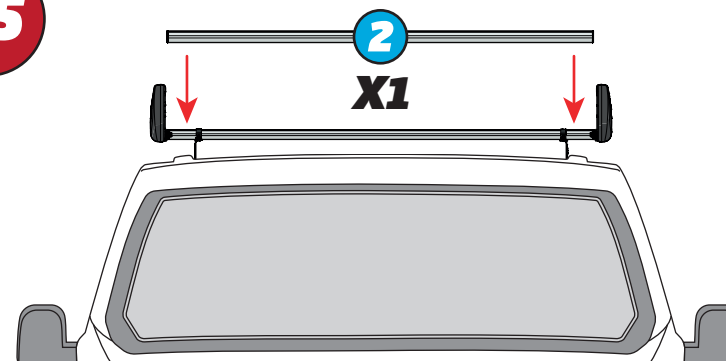


22

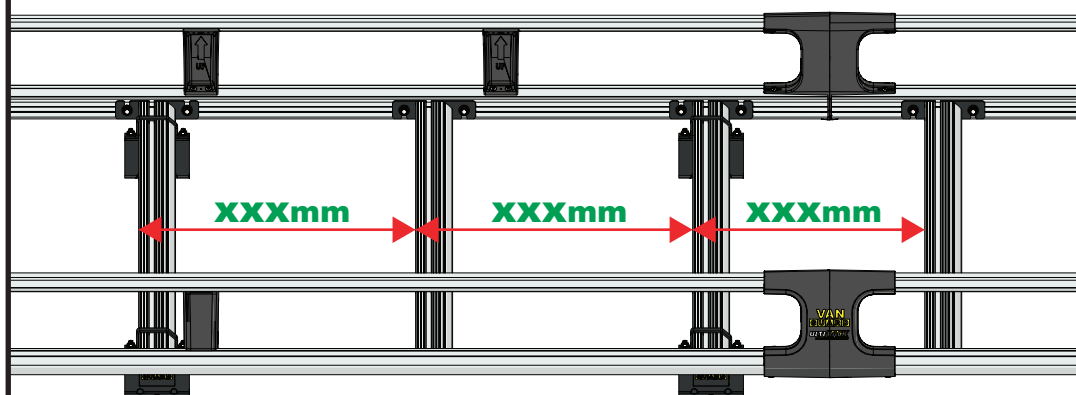
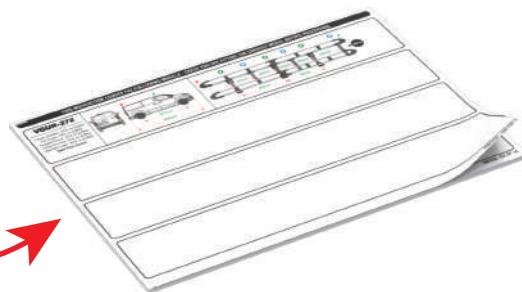
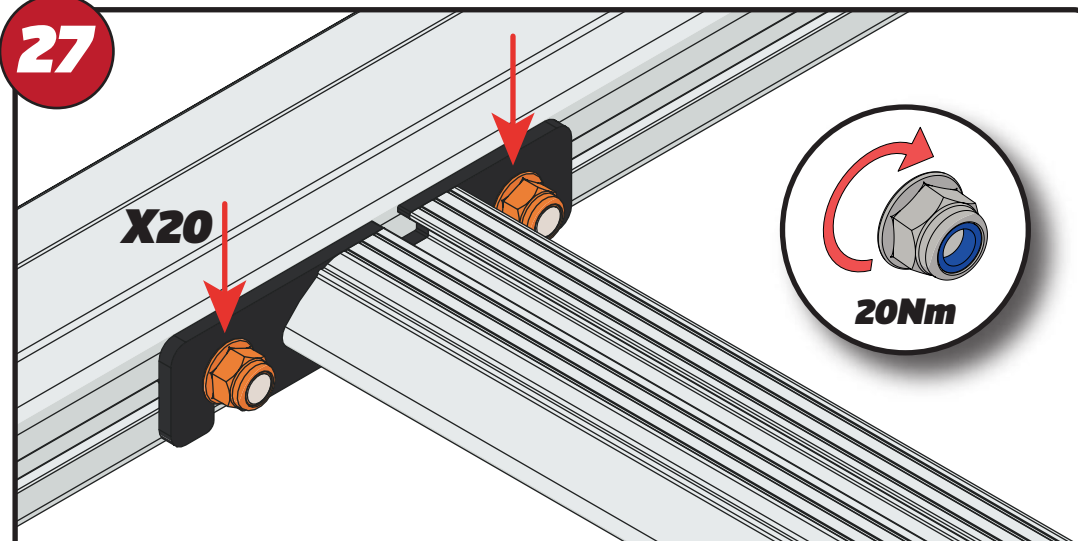


23



**24****25****26**

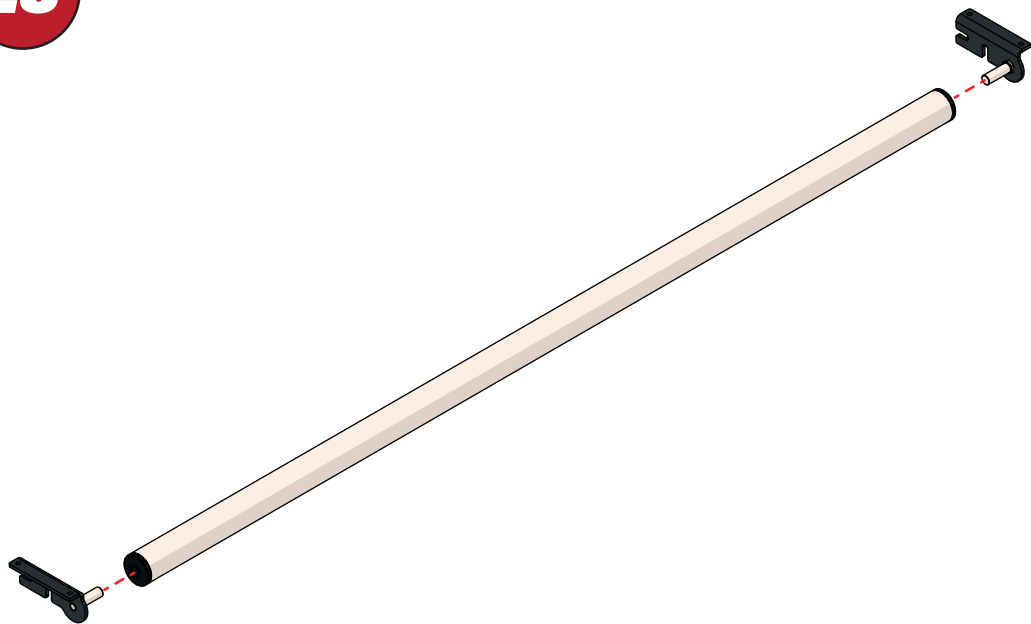
XXX =  
PAGE 2 OF 14

**27****X20****20Nm**

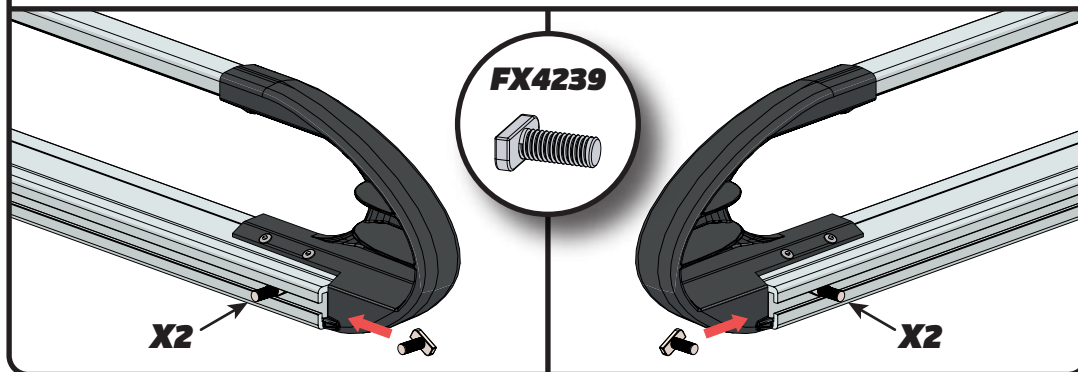
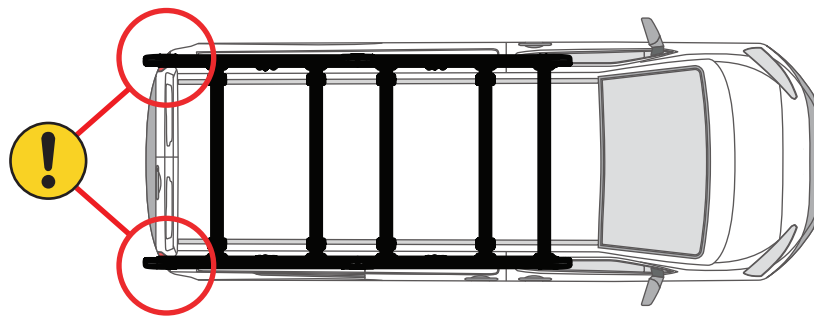
EN - TIGHTEN ALL OF THE CROSS BARS  
 DE - ALLE QUERSTANGEN FESTZIEHEN  
 FR - SERREZ TOUTES LES BARRES TRANSVERSALES  
 NL - DRAAI ALLE DWARSBALK VAN HET DAK AAN  
 ES - APRIETE TODAS LAS BARRAS TRANSVERSALES  
 IT - STRINGERE TUTTE LE BARRE TRASVERSALI

SV - SKRU UPP ALLA KORSSTANGAR  
 DA - SKRU ALLE TAGBØJLER OP  
 NO - SKRU OPP ALLE TVERRSTENGER  
 PL - DOKRĘCIĆ WSZYSTKIE POPRZECZKI  
 CS - VŠECHNY PŘÍČNÉ TYČE SEŠROUJTE

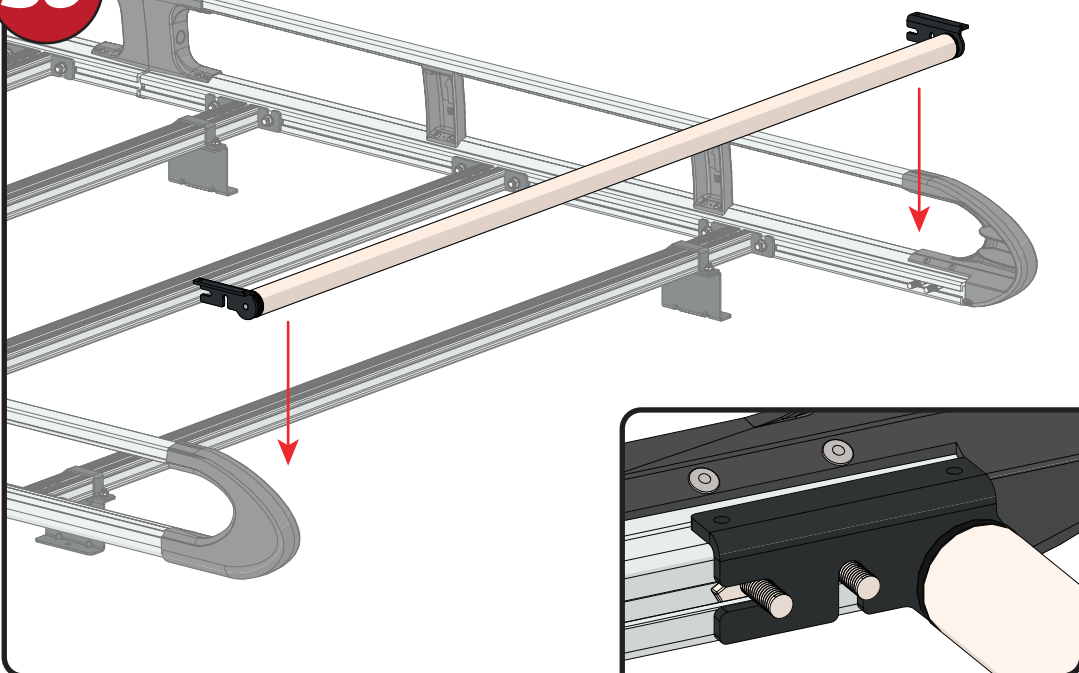
28



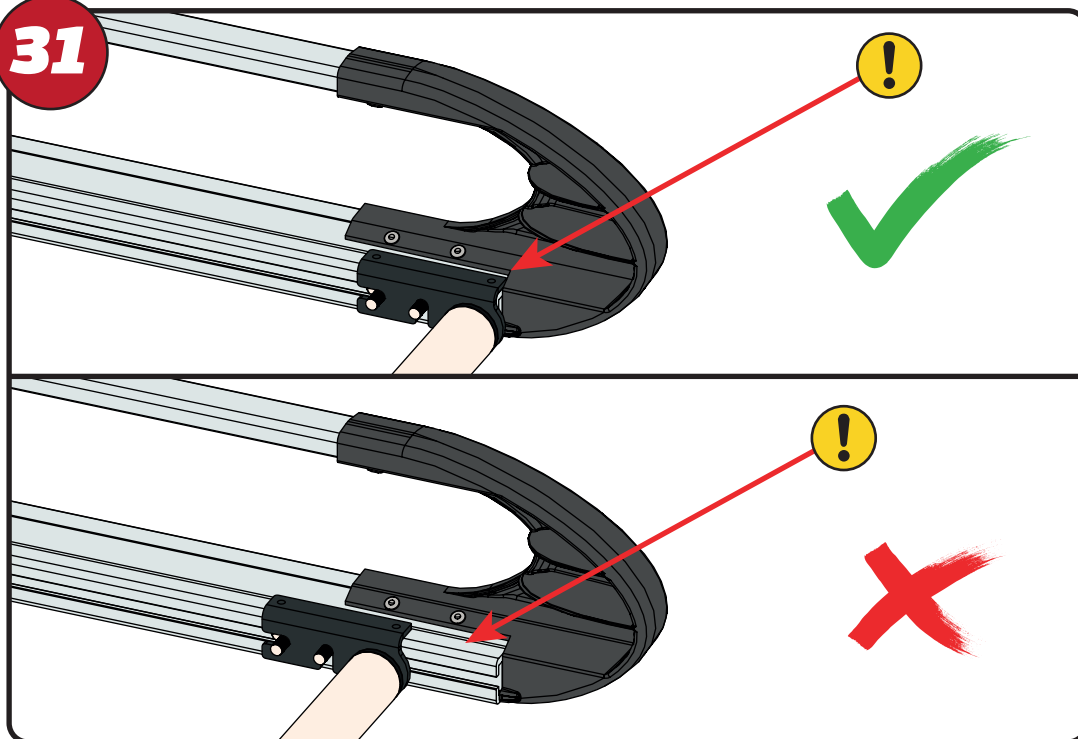
29



30

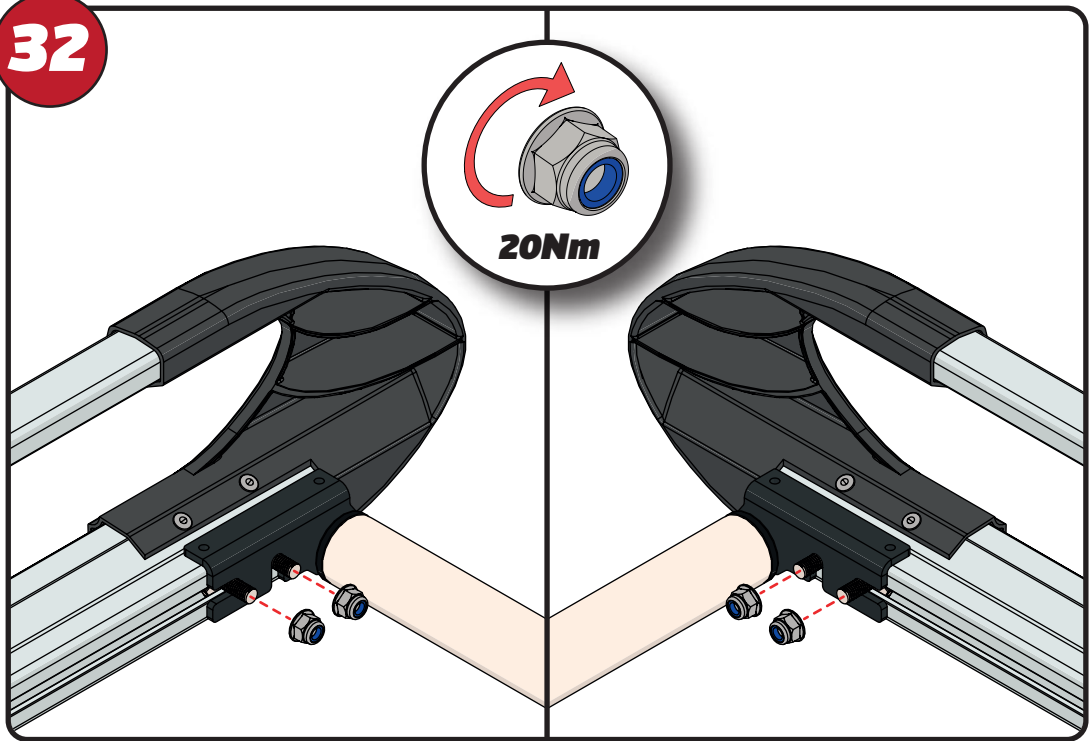


31

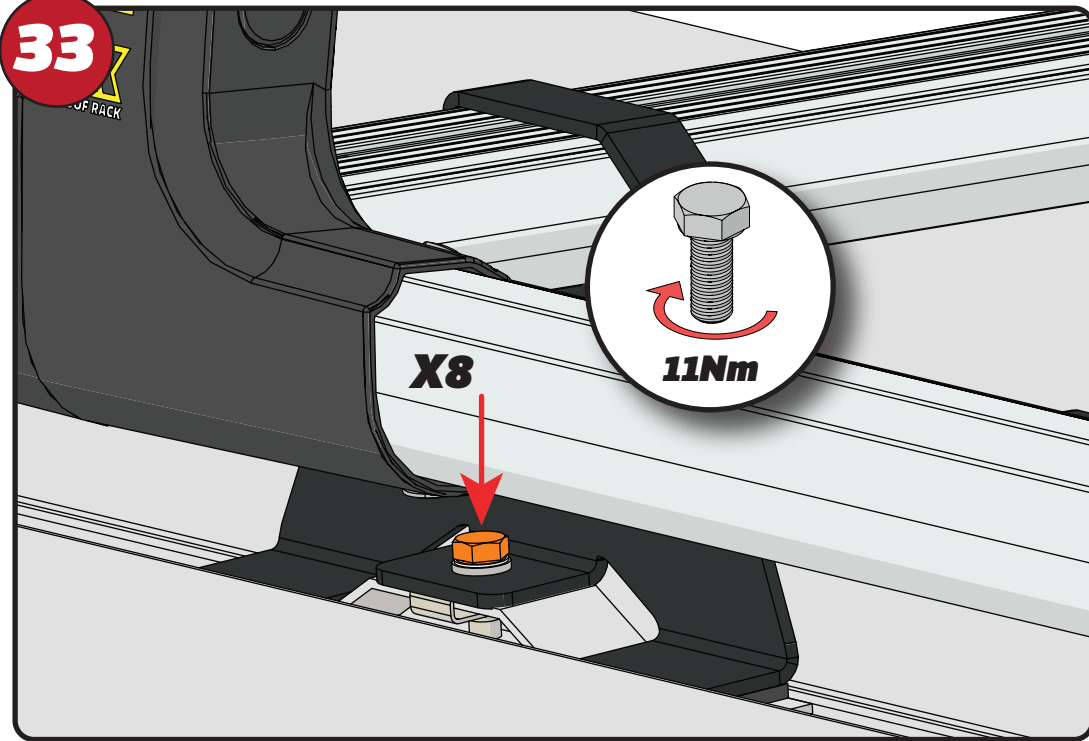




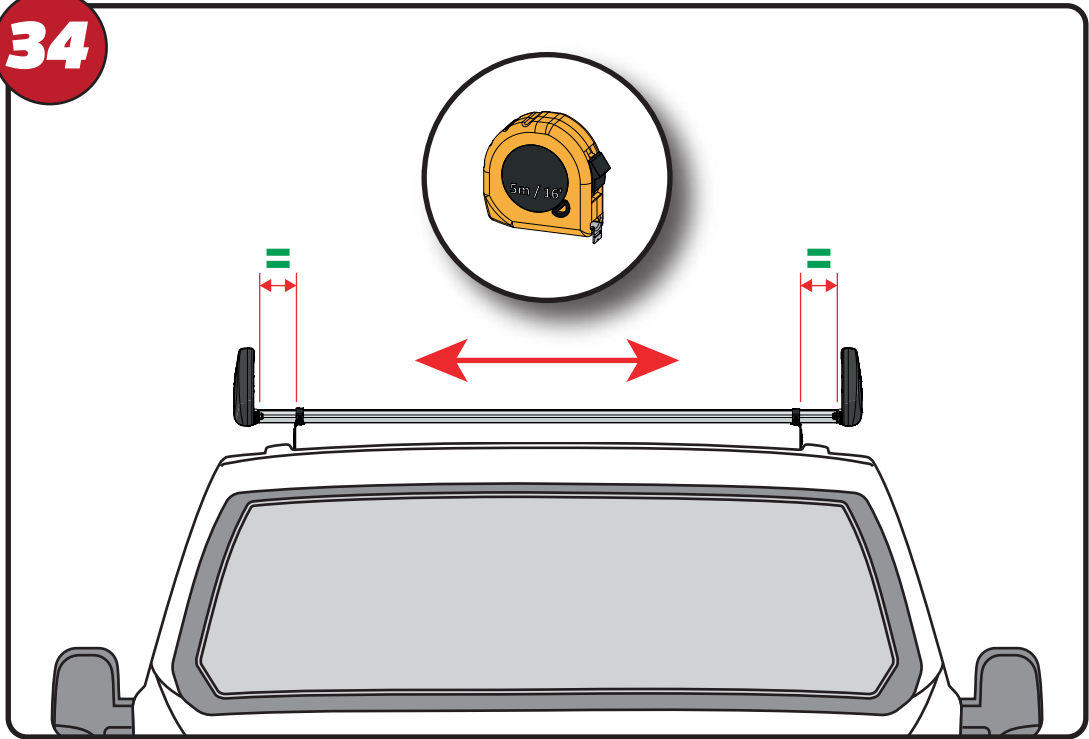
32



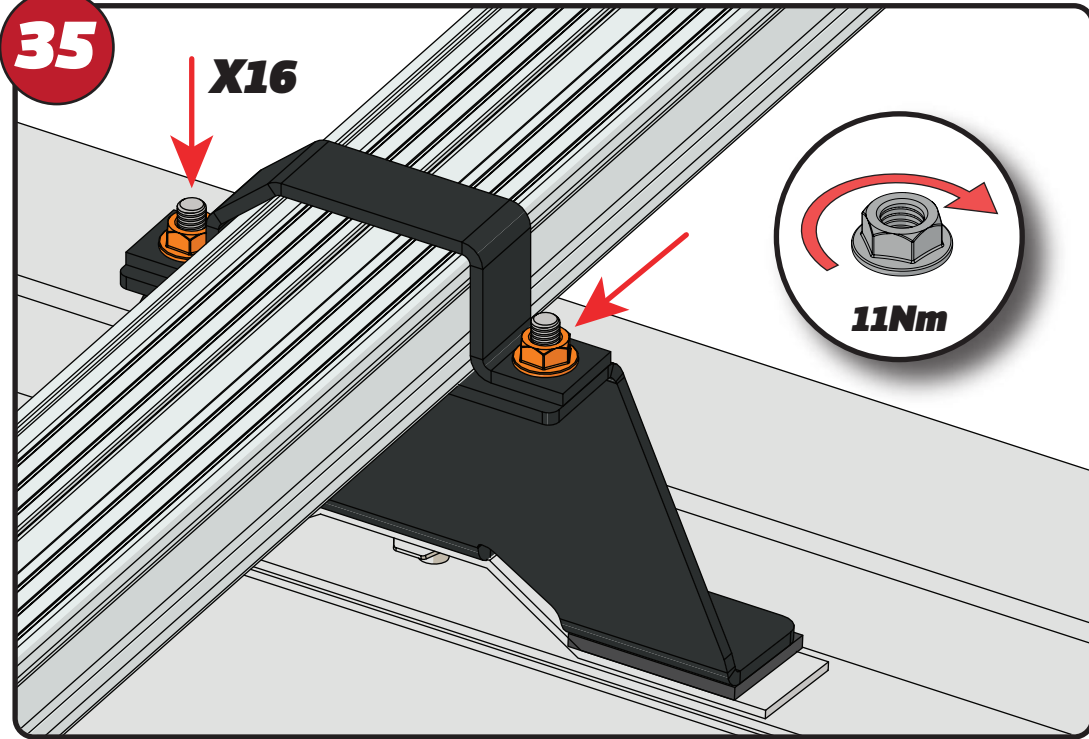
33



34



35

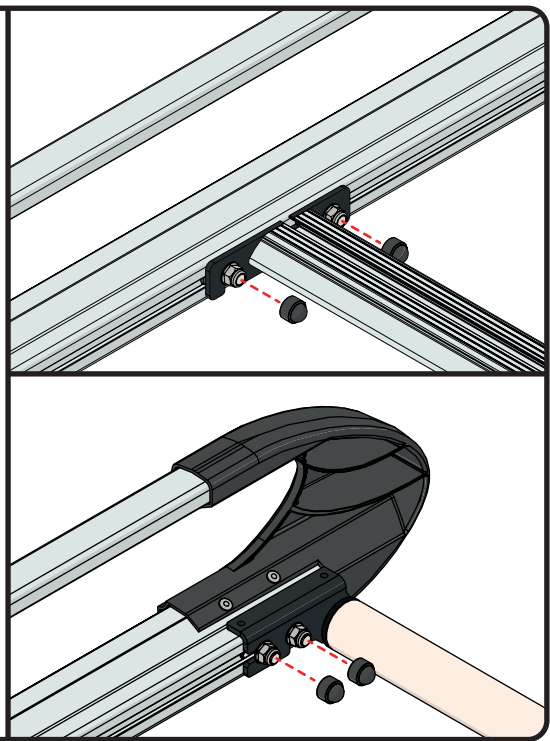


36



FX4241

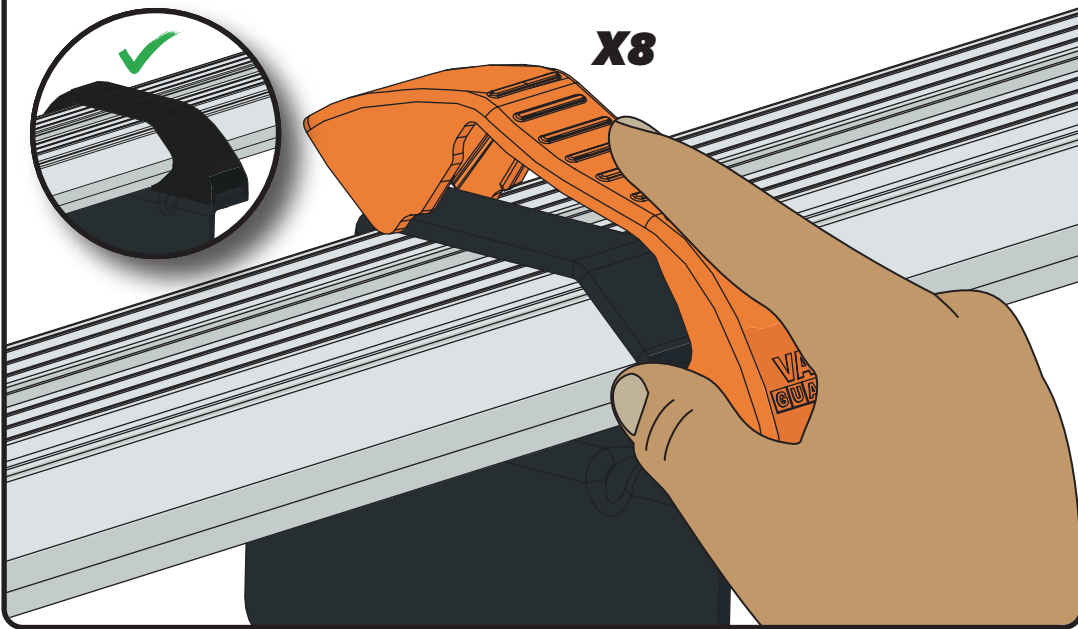
X24



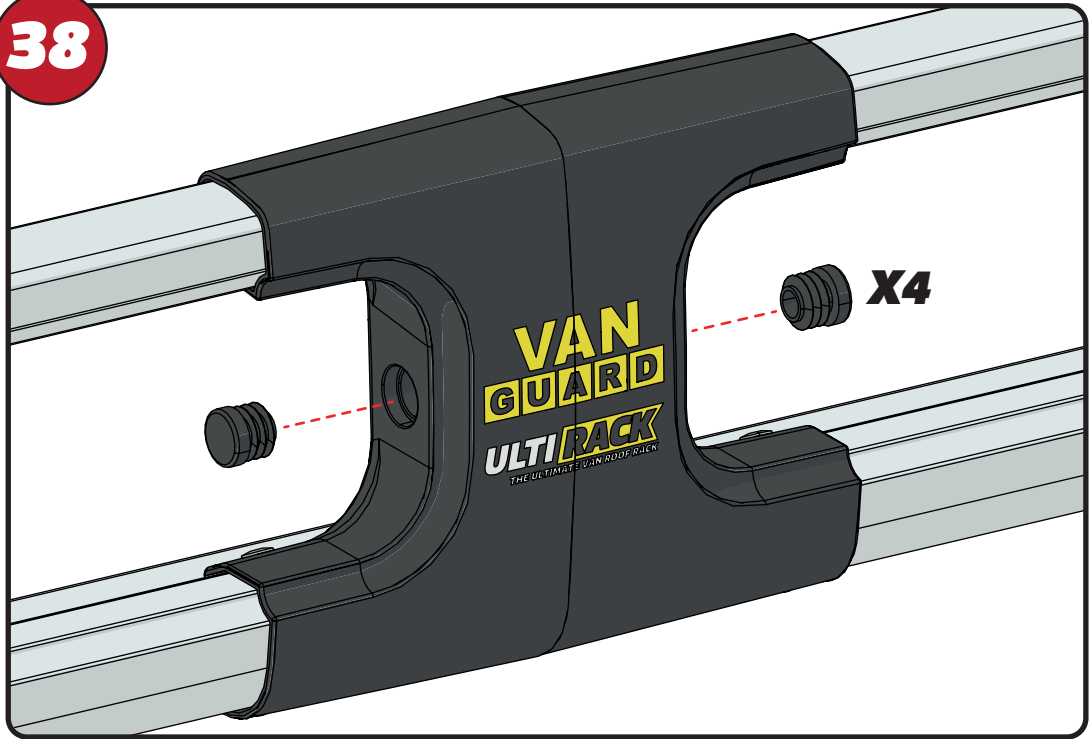
37



X8



38



VAN GUARD  
ULTRARACK  
THE ULTIMATE VAN ROOF RACK

X4

39

