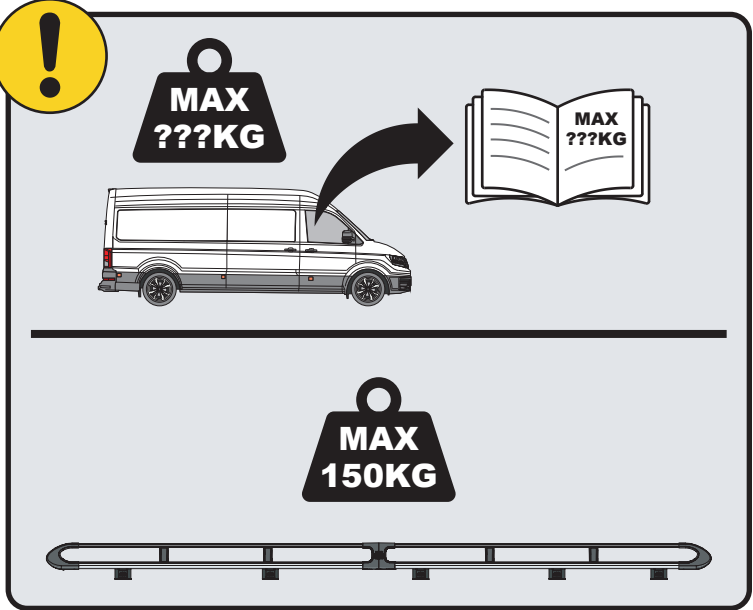
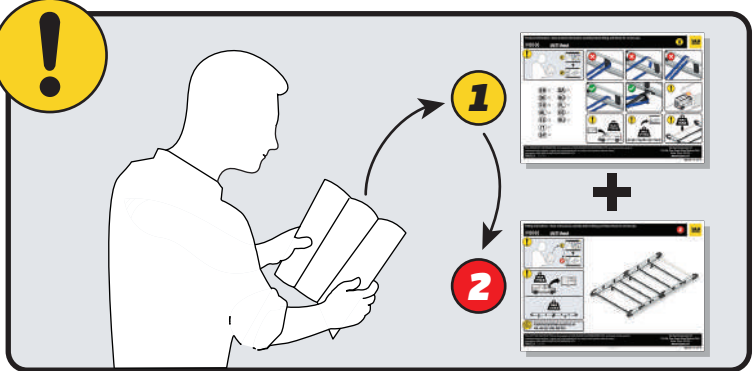


IN8360

ULTI Rack+



 Customercare@van-guard.co.uk
UK +44 (0) 1392 368 351



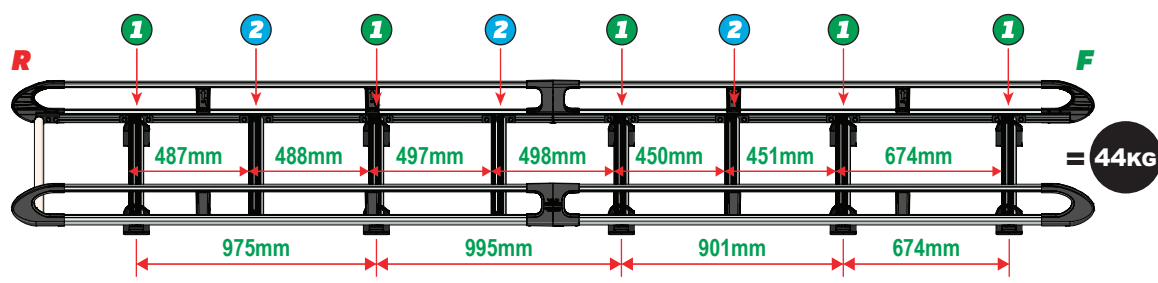
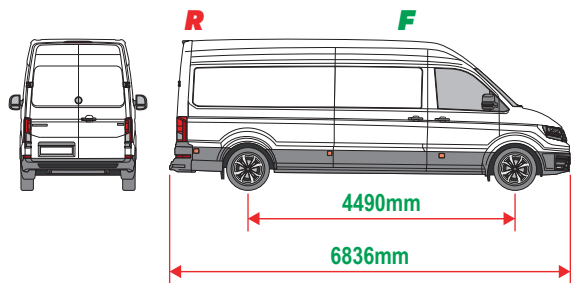
This FITTING INSTRUCTION is the property of VAN GUARD ACCESSORIES LTD. and must not be used for manufacturing purposes, copied nor communicated in any way to third parties without written permission from VAN GUARD ACCESSORIES LTD.
IN8360_B (CN:00356)

Van Guard Accessories Ltd
Fair Oak Close, Exeter Airport Business Park,
Exeter, Devon, EX5 2UL
www.van-guard.co.uk

THIS INSTRUCTION COVERS THE FOLLOWING MODELS - CHECK YOU ARE FITTING THE CORRECT MODEL BEFORE PROCEEDING

VGUR-281

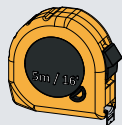
MAN TGE: 2017 on
 Volkswagen Crafter: 2017 on
 L4H3
 Twin Rear Doors



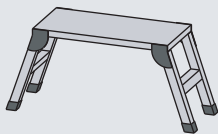
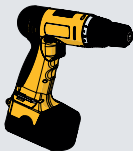
SUPPLIED COMPONENTS - CHECK ALL PARTS ARE PRESENT AND CORRECT BEFORE PROCEEDING (1 OF 2)

TOOLS REQUIRED

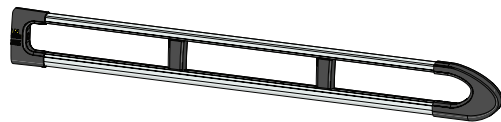
10MM X1



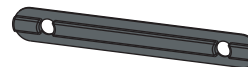
13MM X1



AS3553 X2
(4200 / A)



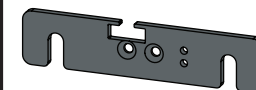
MA6118 X16



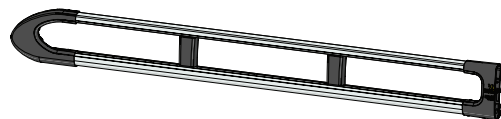
FX4241 X36



ME1622 X3



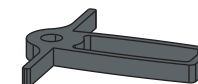
AS3552 X2
(4200 / B)



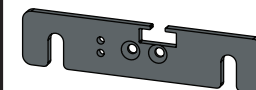
FX4008 X1



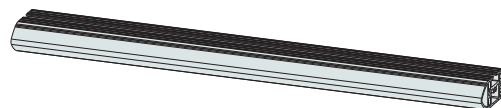
MA6145 X1



ME1623 X3



ME1628 X8
(1554mm)



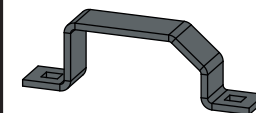
FX4001 X2
(M8X40)



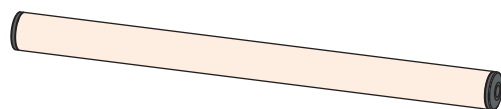
FX4235 X32
(M5X25)



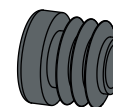
ME0203 X10



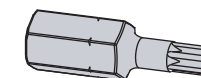
AS3160 X1
(1540mm)



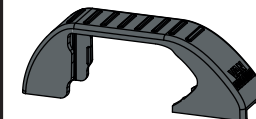
MA6007 X4



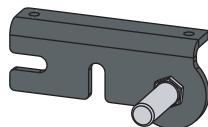
FX4248 X1
(T25)



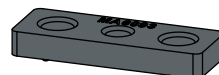
MA6065 X10



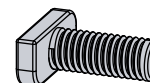
AS3590 X1



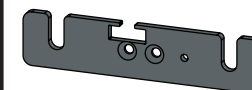
MA6093 X16



FX4239 X36
(M8X20)



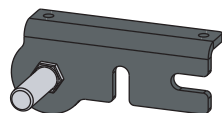
ME1620 X5



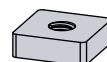
FX4016 X30
(M6)



AS3591 X1



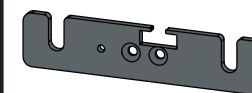
ME0316 X16



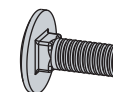
FX4240 X36
(M8)



ME1621 X5

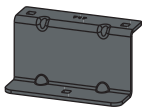


FX4042 X20
(M6X16)



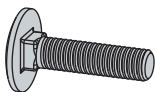
SUPPLIED COMPONENTS - CHECK ALL PARTS ARE PRESENT AND CORRECT BEFORE PROCEEDING (2 OF 2)

ME0717 X6

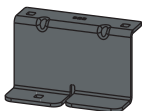


FX4022 X10

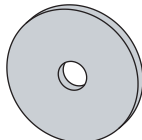
(M6X25)



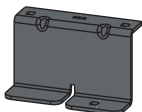
ME0922 X1



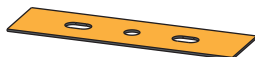
FX4023 X10



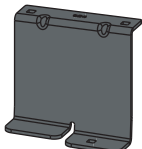
ME0923 X1



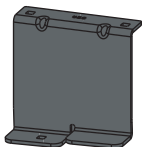
MA6091 X10



ME0924 X1



ME0925 X1



FX4014 X10



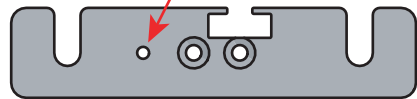
01

1L



X5

1R



X5



2L



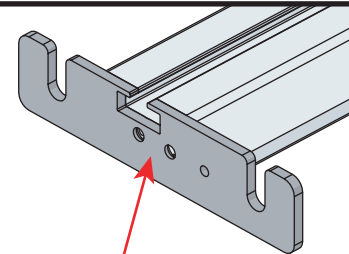
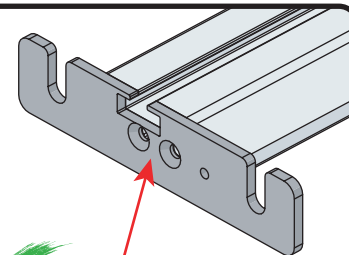
X3

2R



X3

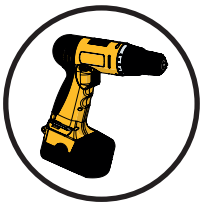
02



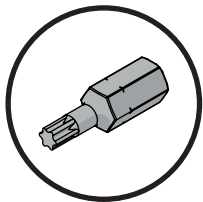
03

01

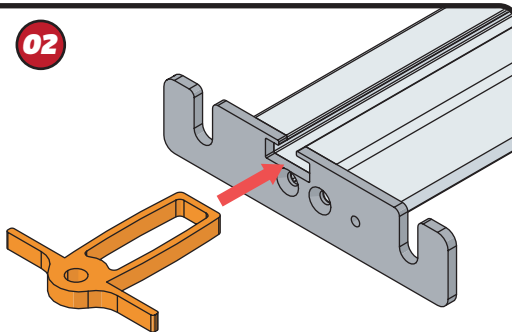
FX4248



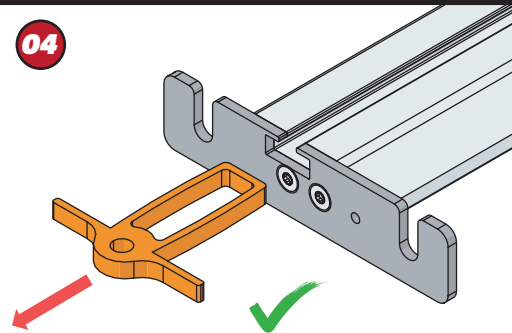
+



02



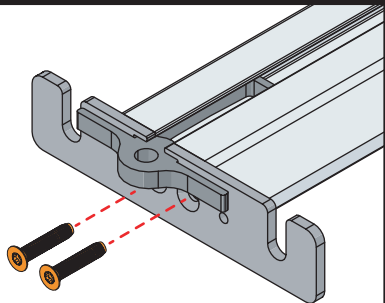
04



03



11Nm

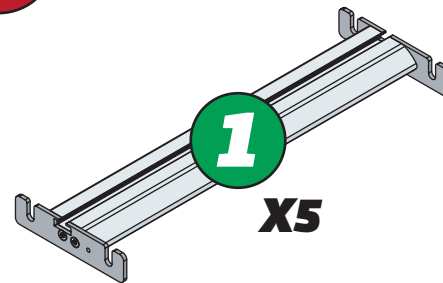


04



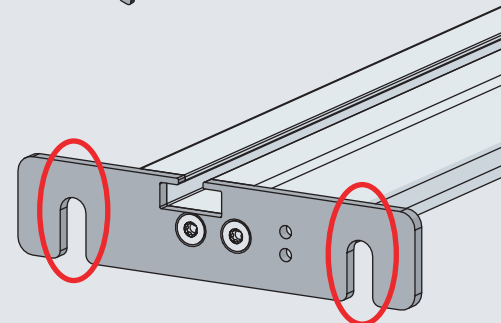
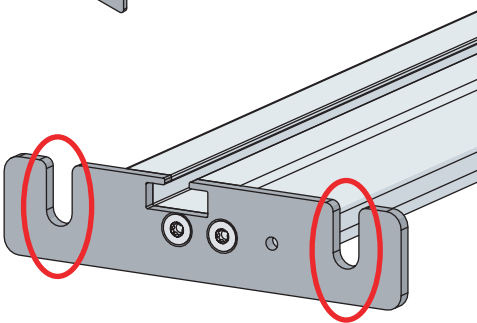
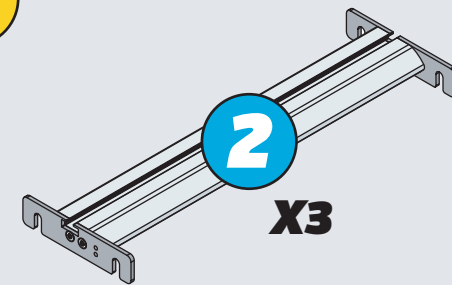
1

X5

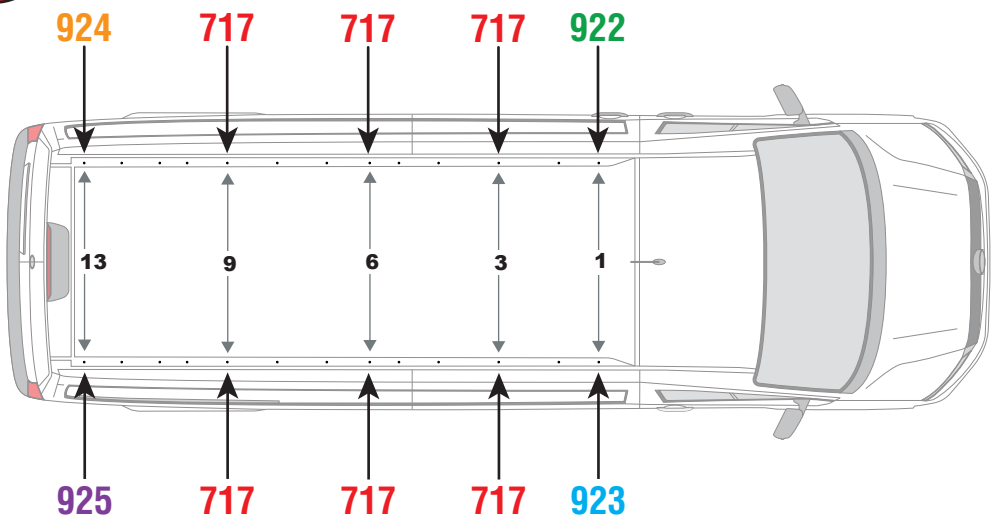


2

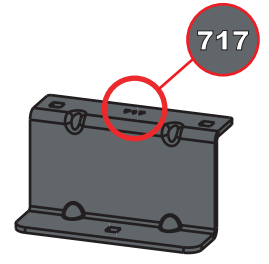
X3



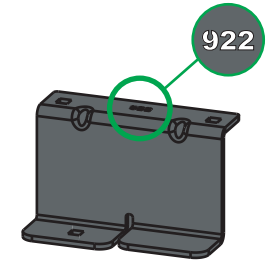
05



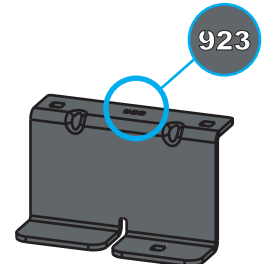
717



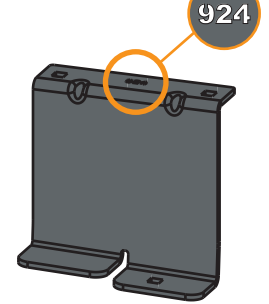
922



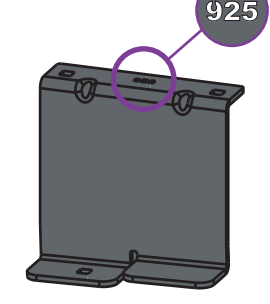
923



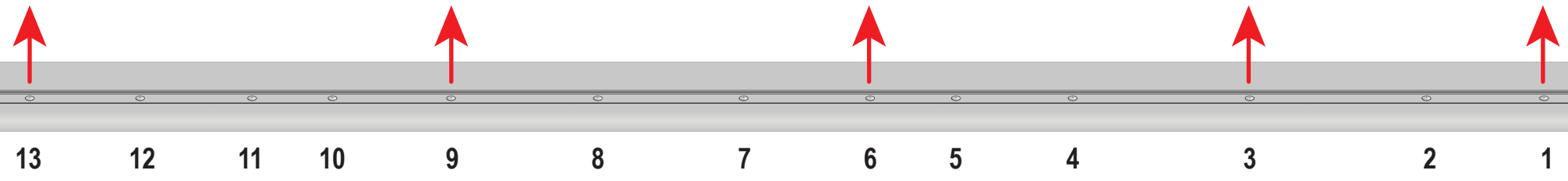
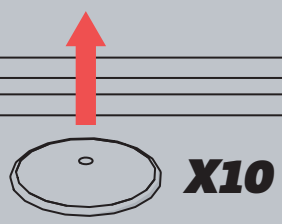
924

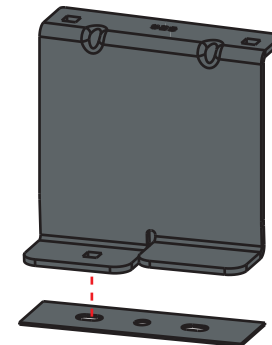
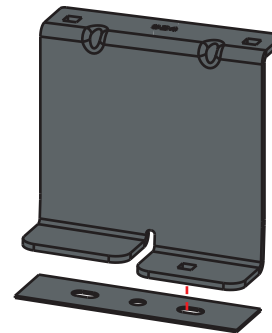
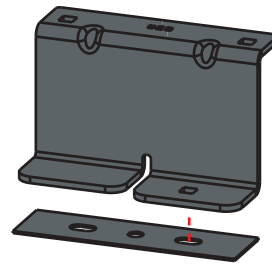
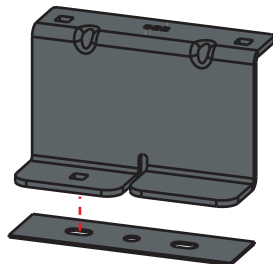
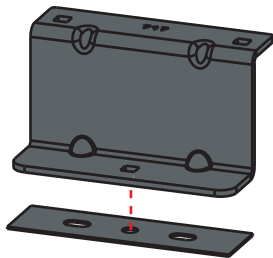


925



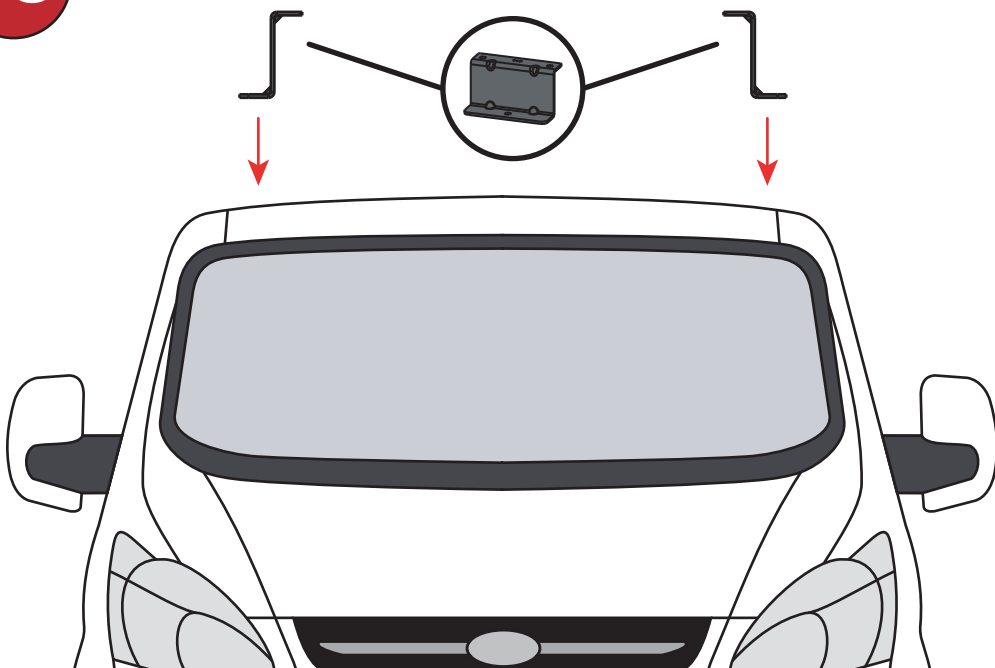
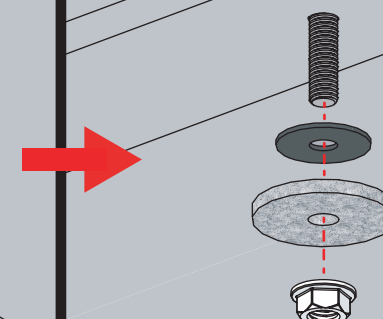
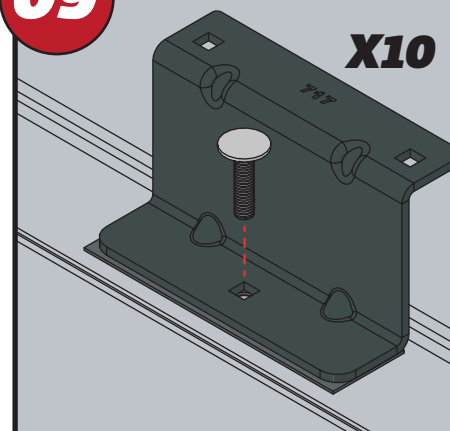
06

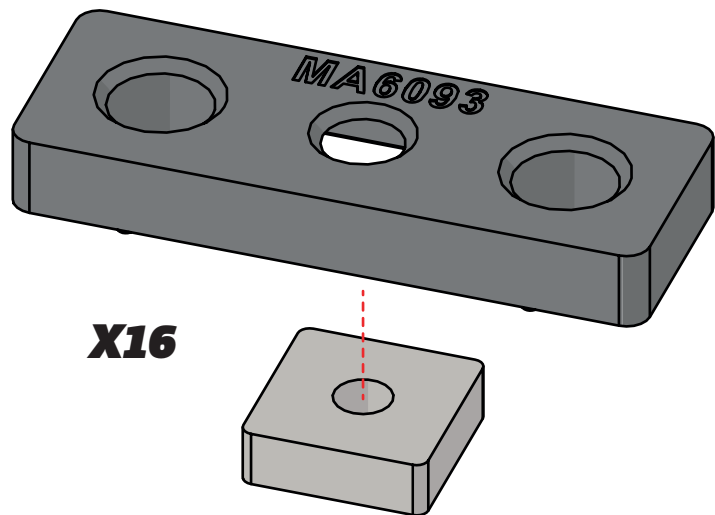
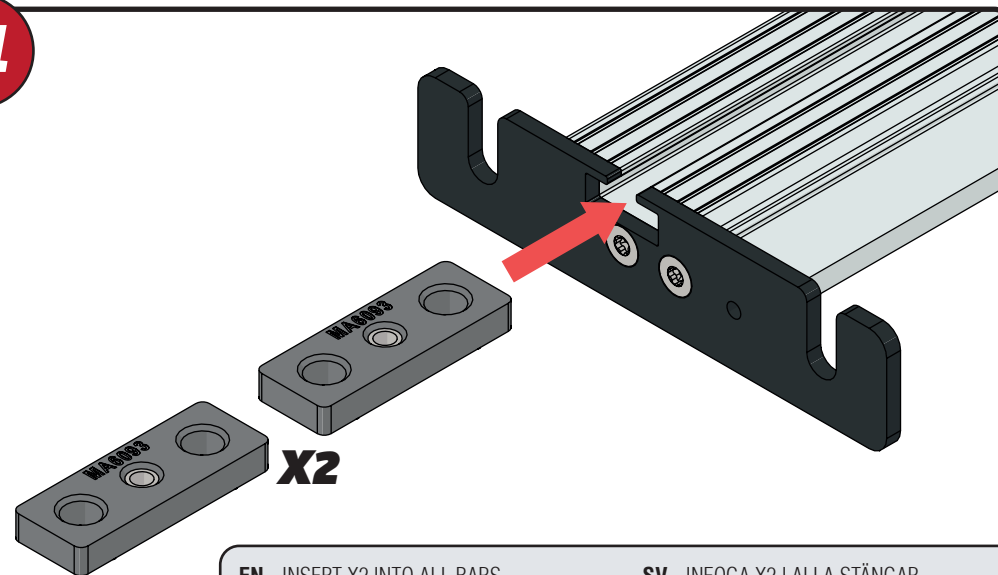
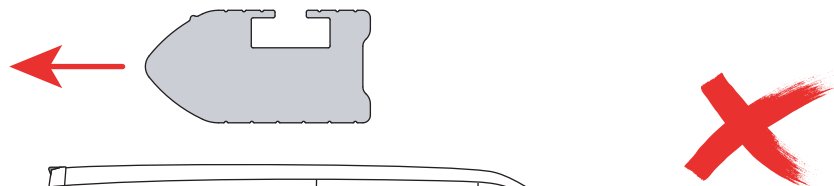
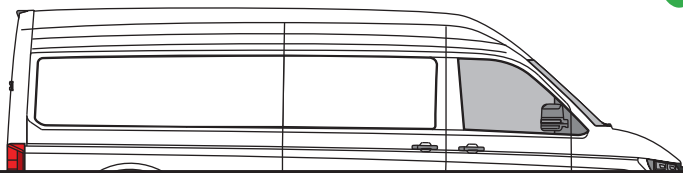
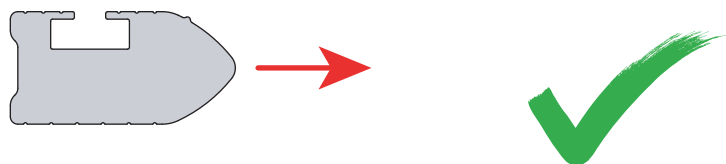
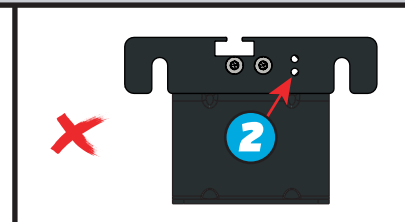
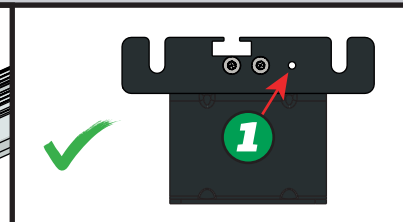
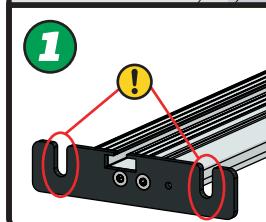
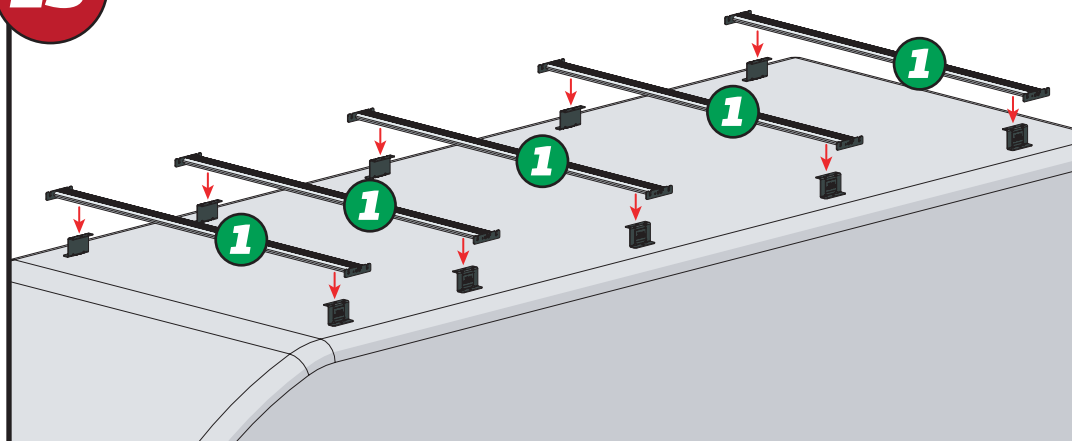


07

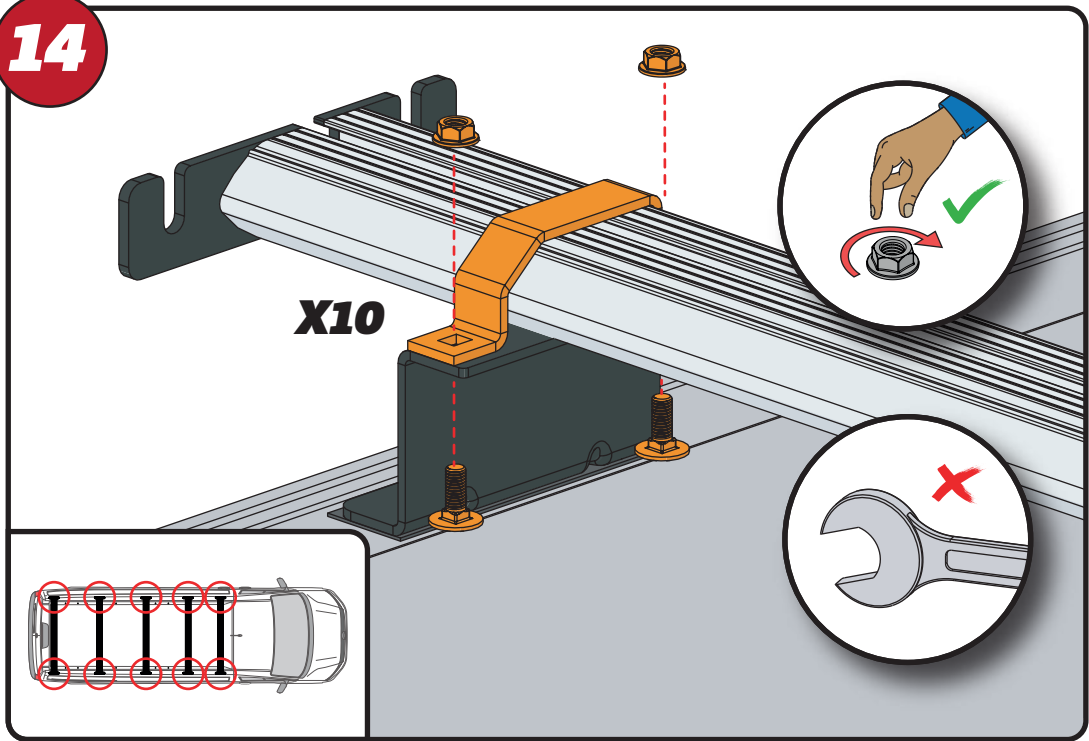
EN - STICK GASKETS TO ALL BRACKETS
 DE - KLEBEN SIE DIE DICHTUNG AN ALLEN HALTERUNGEN
 FR - COUSSINETS ADHÉSIFS À TOUS LES SUPPORTS
 NL - PLAK PAKKING OP ALLE BEUGELS
 ES - PEGA LAS ALMOHADILLAS A TODOS LOS SOPORTES
 IT - ADESIVI GUARNIZIONI A TUTTE LE STAFFE

SV - FÄST GUMMI PÅ ALLA FÄSTEN
 DA - KLÆB GUMMI PÅ ALLE BESLAG
 NO - PLIST GUMMI PÅ ALLE BRAKKETTER
 PL - NAKLEJ USZCZELKI DO WSZYSTKICH WSPORNIKÓW
 CS - PŘILEPTE TĚSNĚNÍ NA VŠECHNY DRŽÁKY

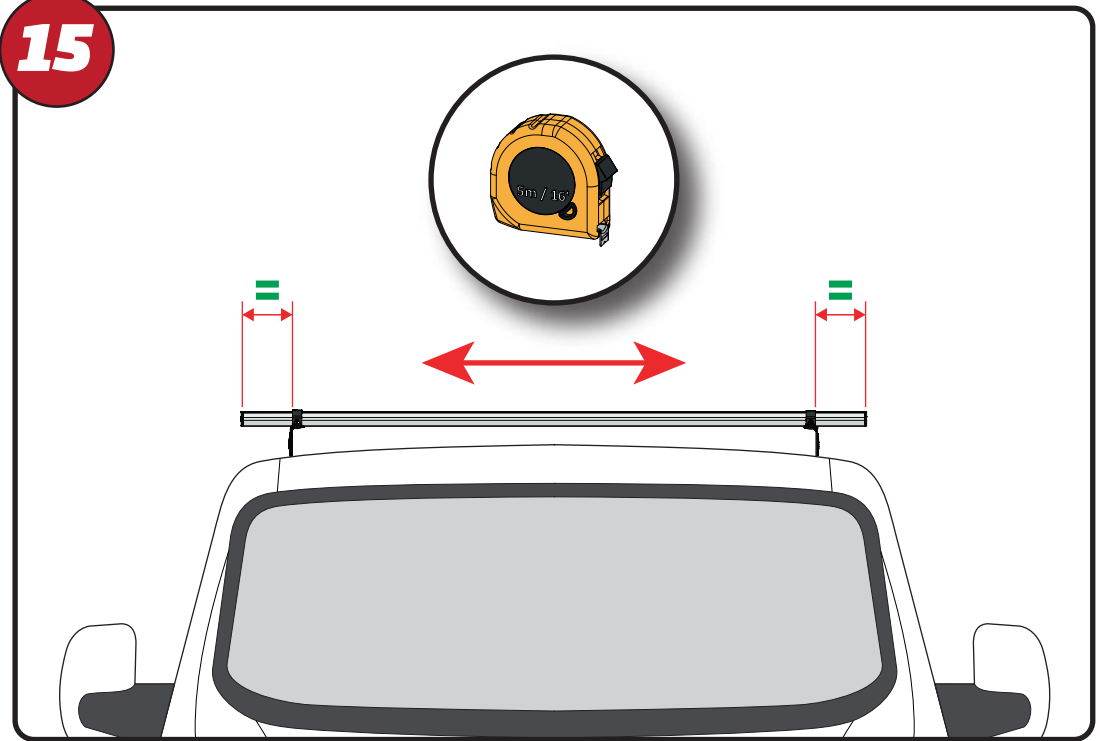
08**09**

10**X16****11****X2****EN** - INSERT X2 INTO ALL BARS**DE** - X2 IN ALLE STANGEN EINFÜGEN**FR** - INSÉRER X2 DANS TOUTES LES BARRES**NL** - PLAATS X2 IN ALLE BARS**ES** - INSERTAR X2 EN TODAS LAS BARRAS**IT** - INSERIRE X2 IN TUTTE LE BARRE**SV** - INFOGA X2 I ALLA STÄNGAR**DA** - INDSÆT X2 I ALLE STÆNGER**NO** - SETT X2 INN I ALLE TAKSTENGER**PL** - WSTAW X2 DO WSZYSTKICH PRĘTÓW**CS** - VLOŽTE X2 DO VŠECH TYČÍ**12****13**

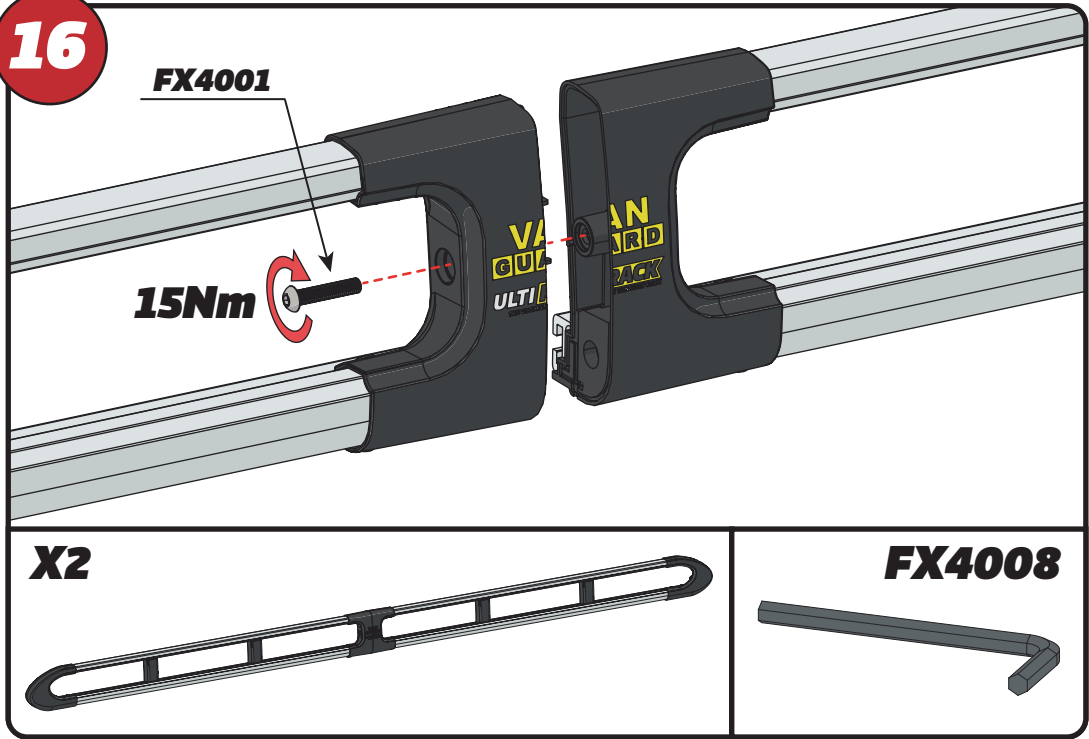
14



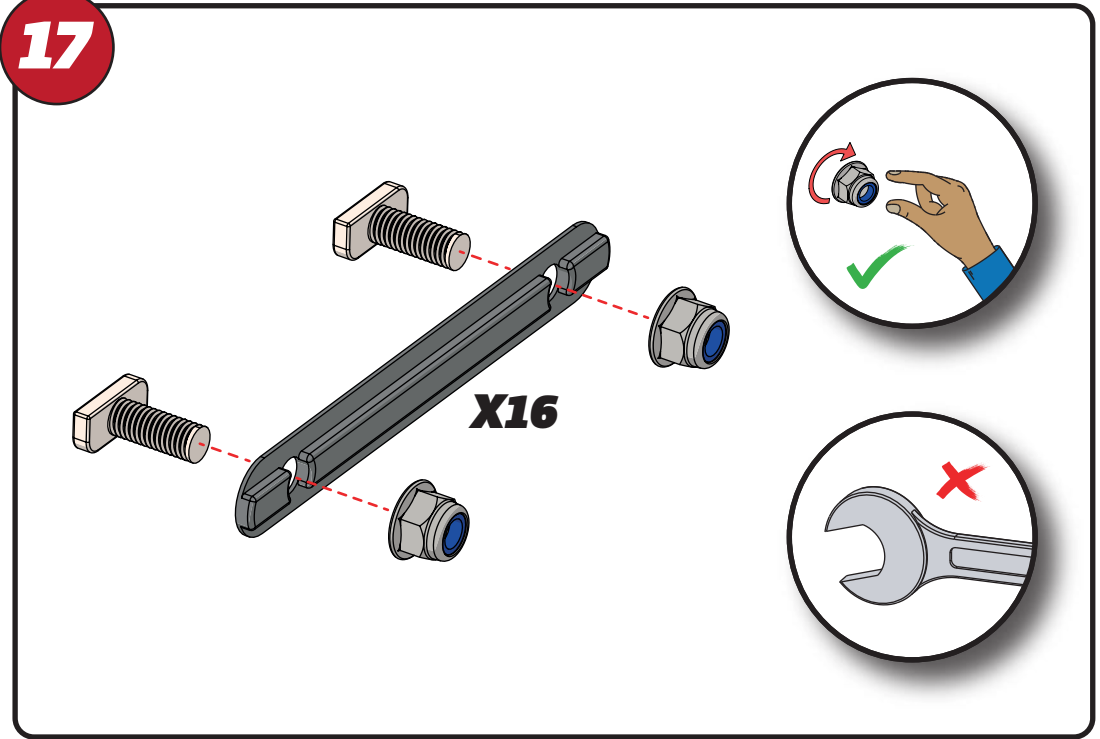
15



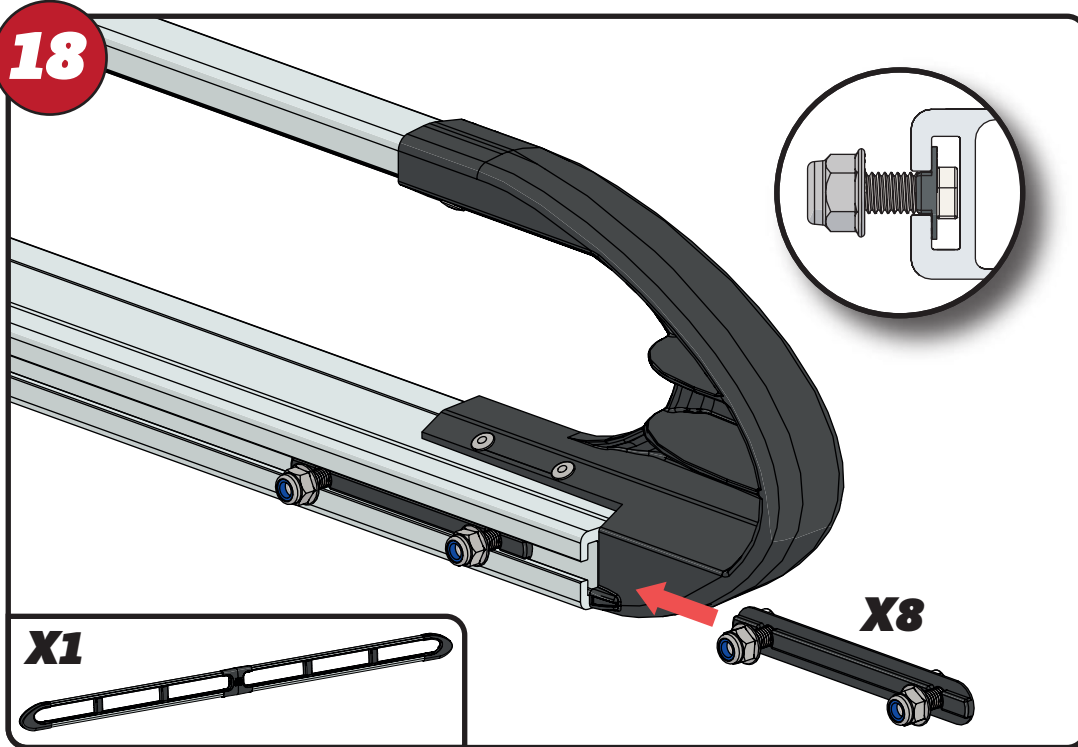
16



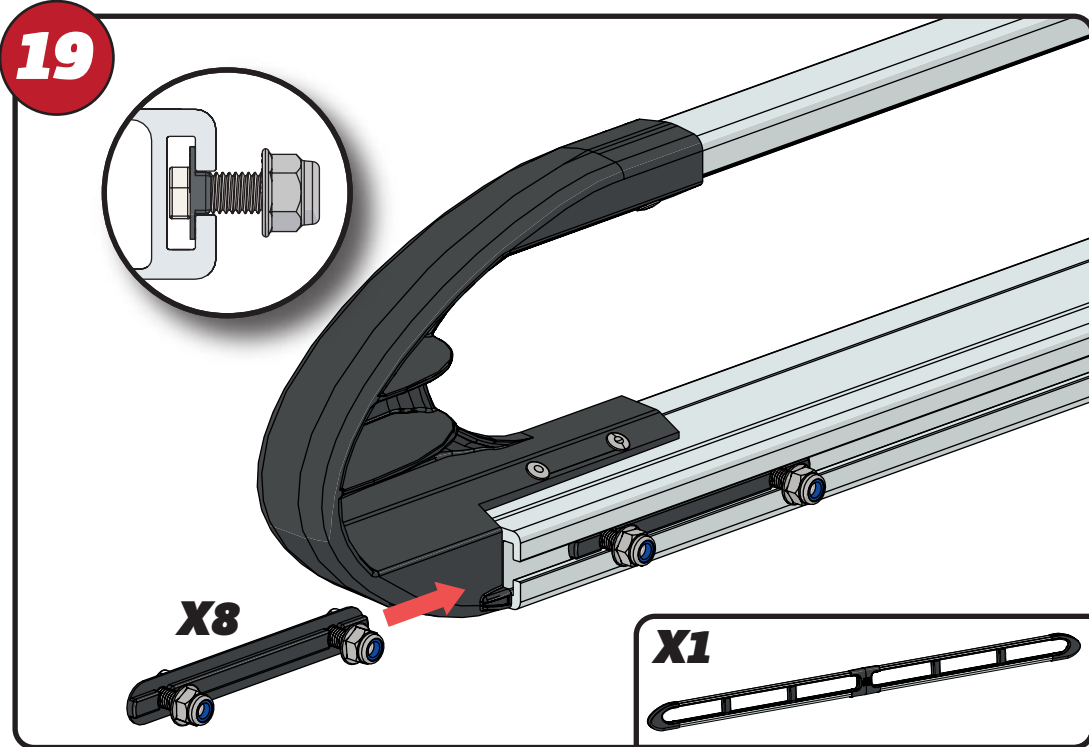
17



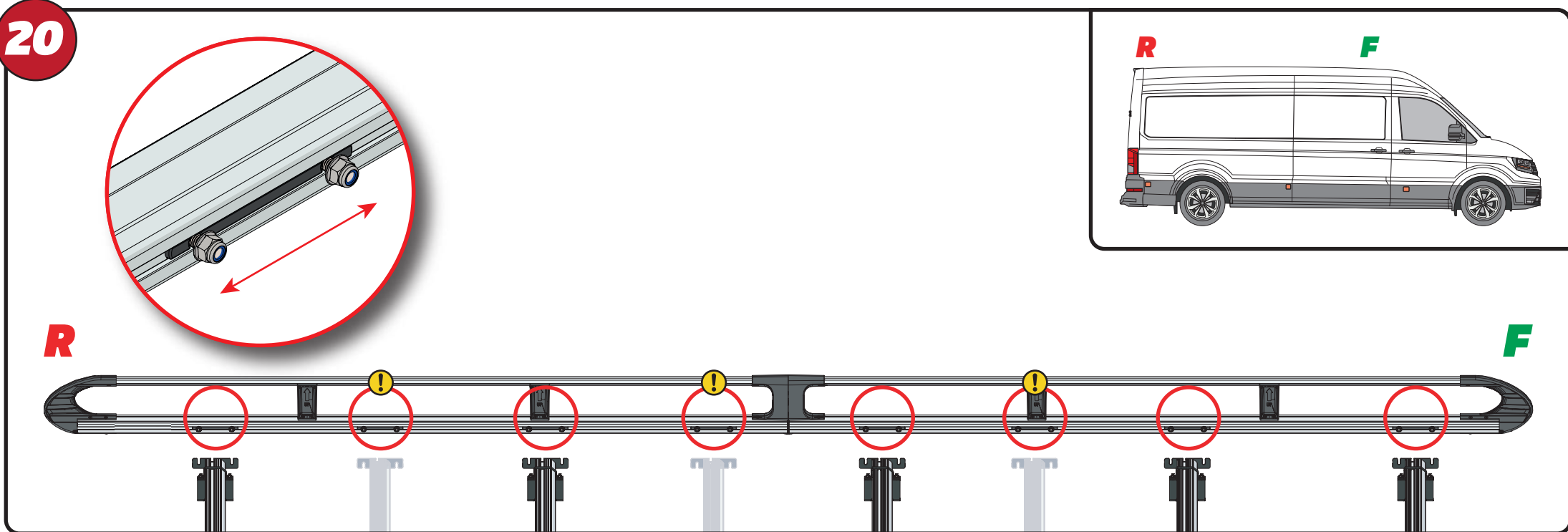
18



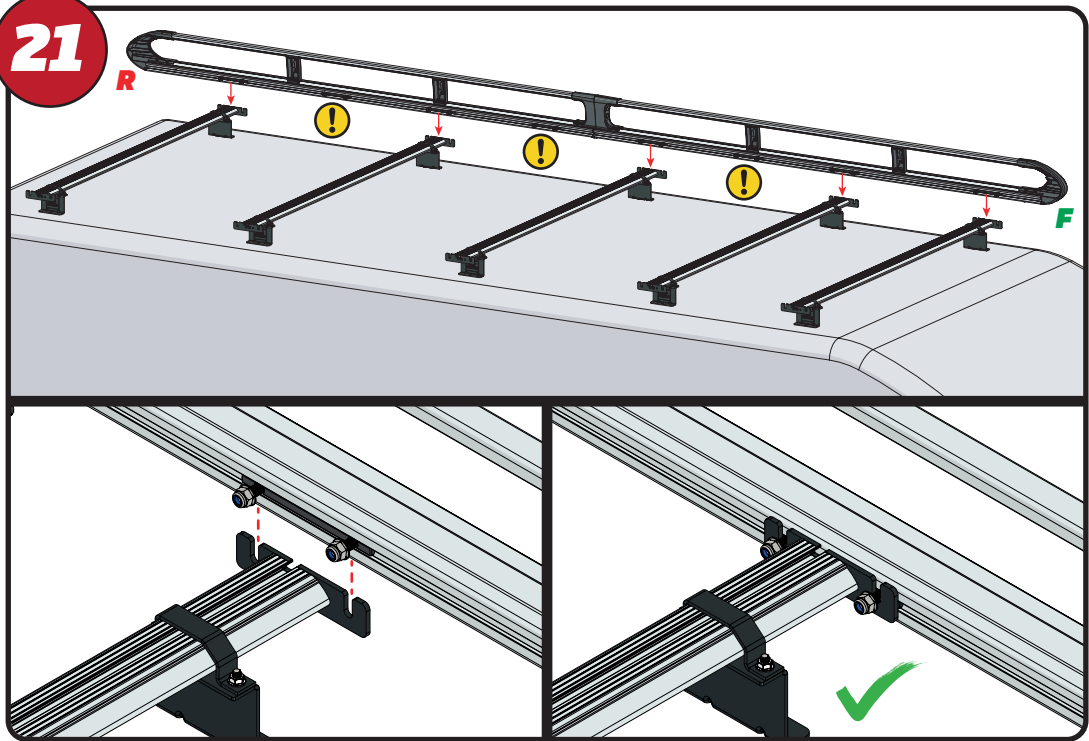
19



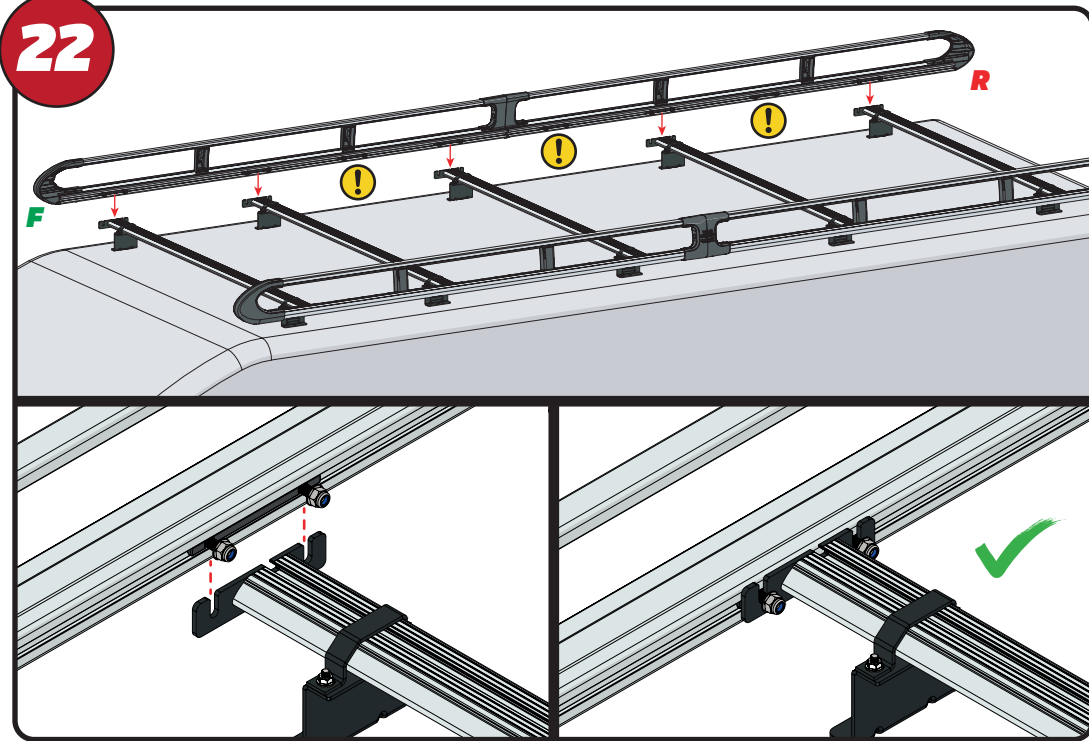
20



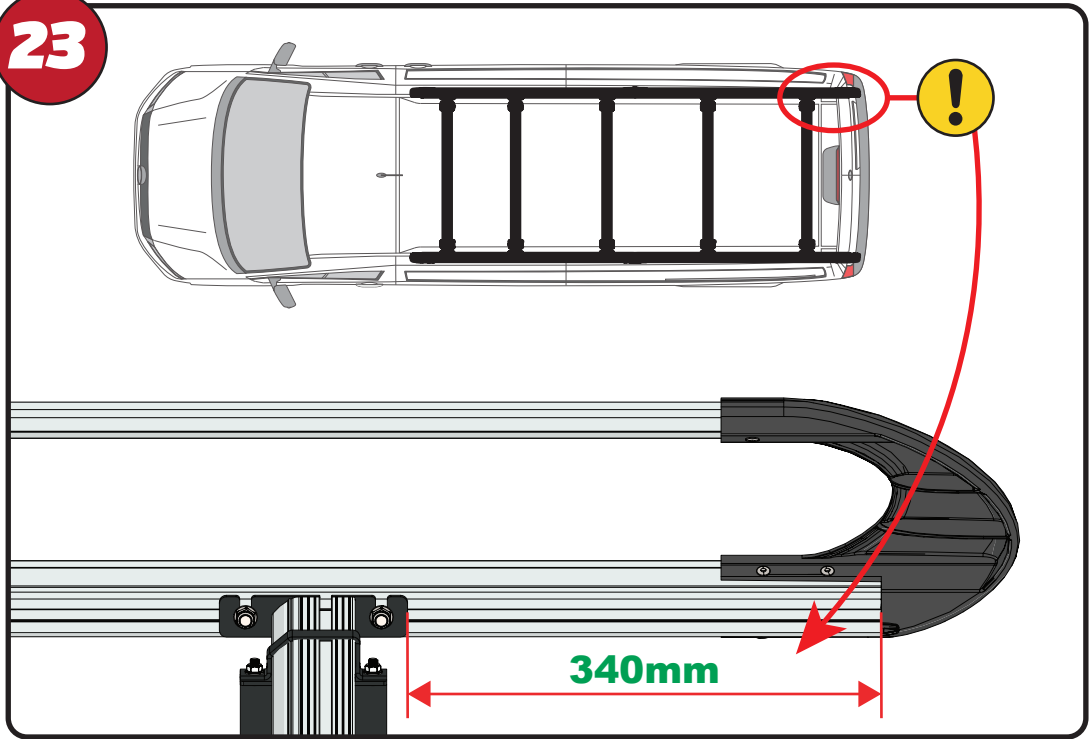
21



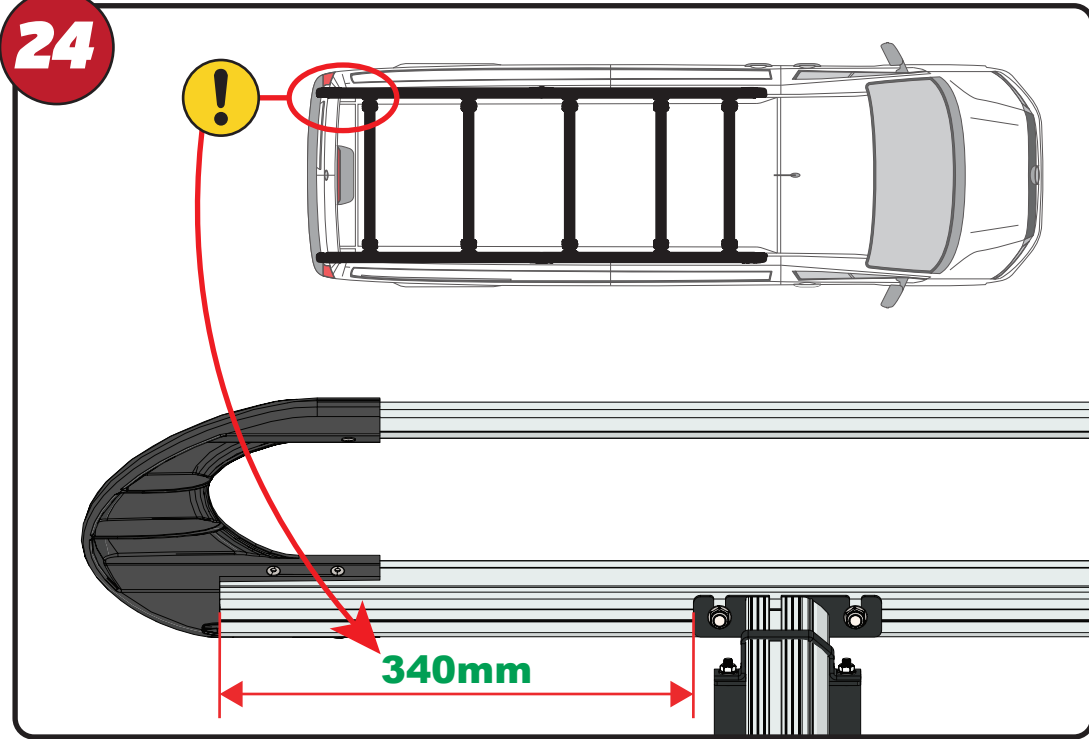
22

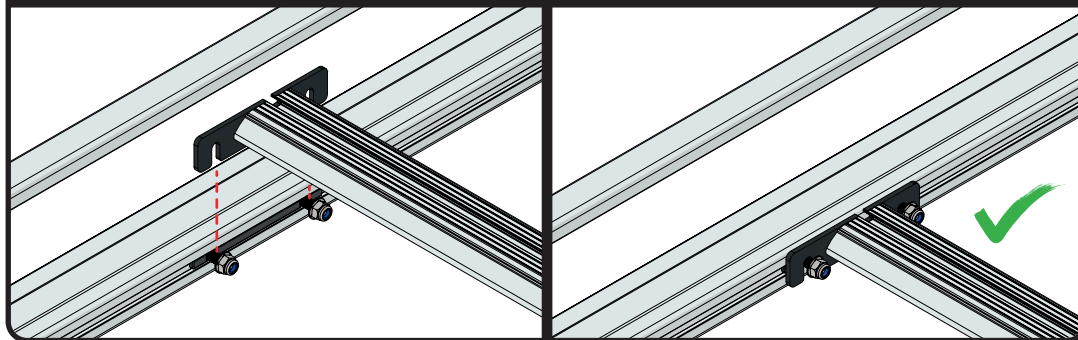
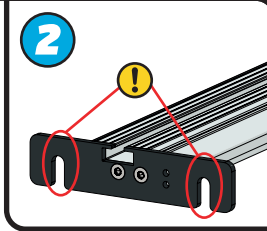
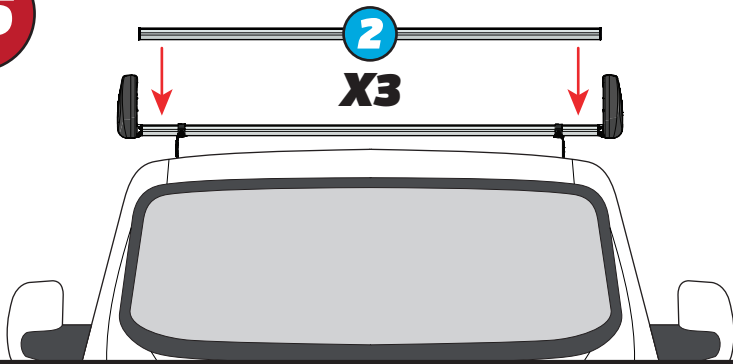


23

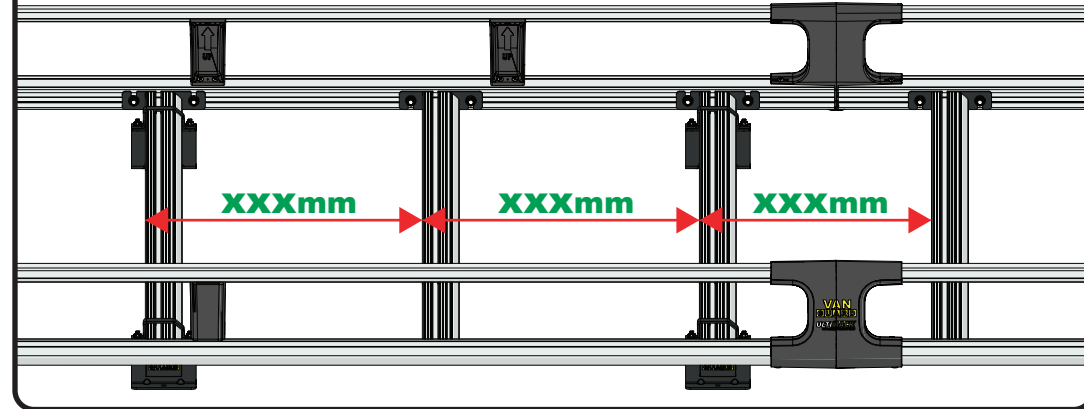
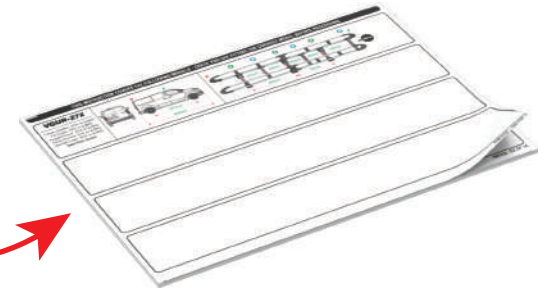
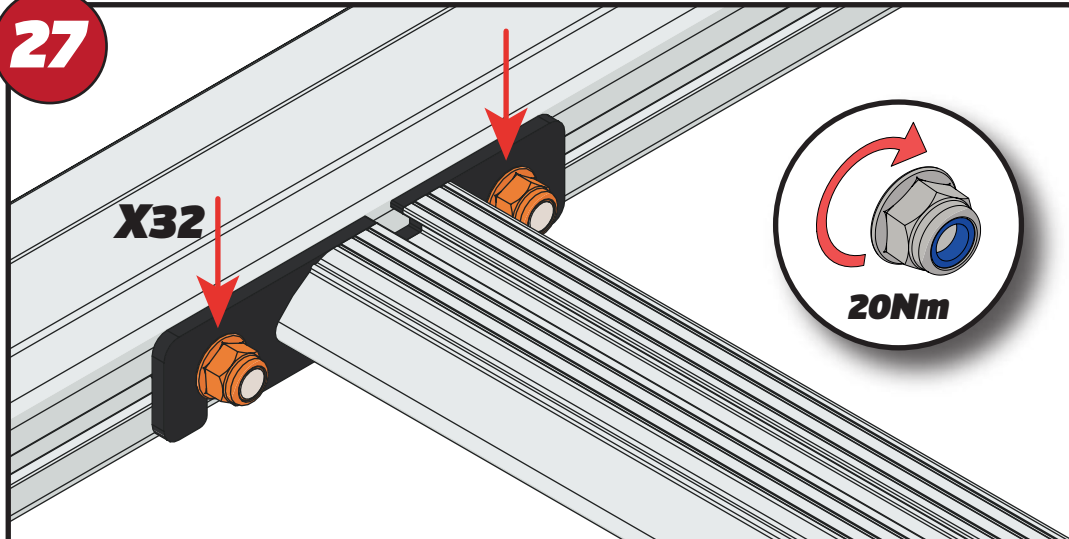


24



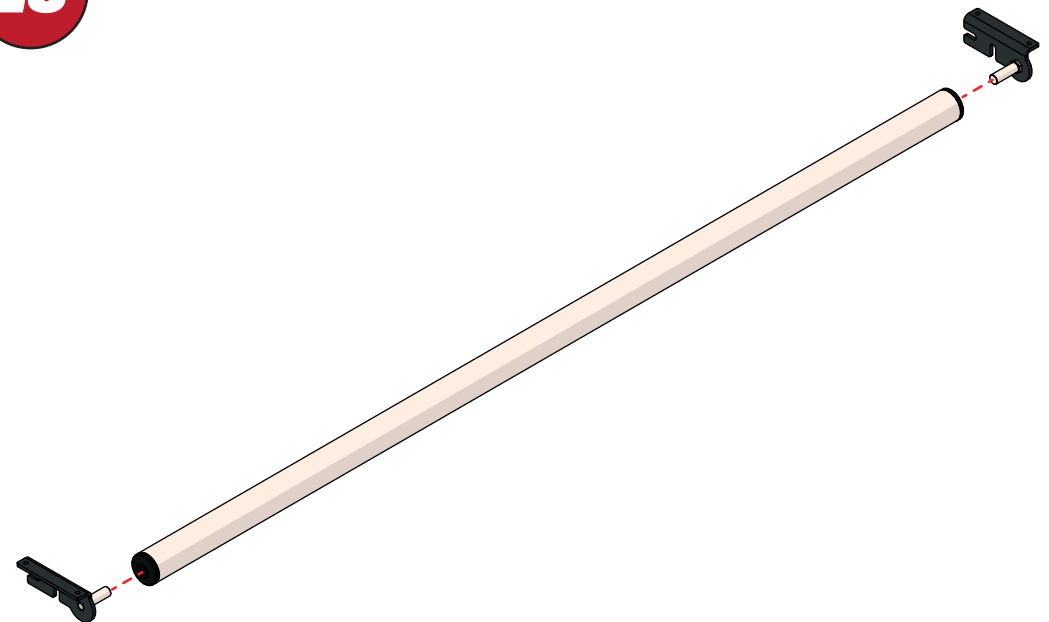
25**26**

XXX =
PAGE 2 OF 15

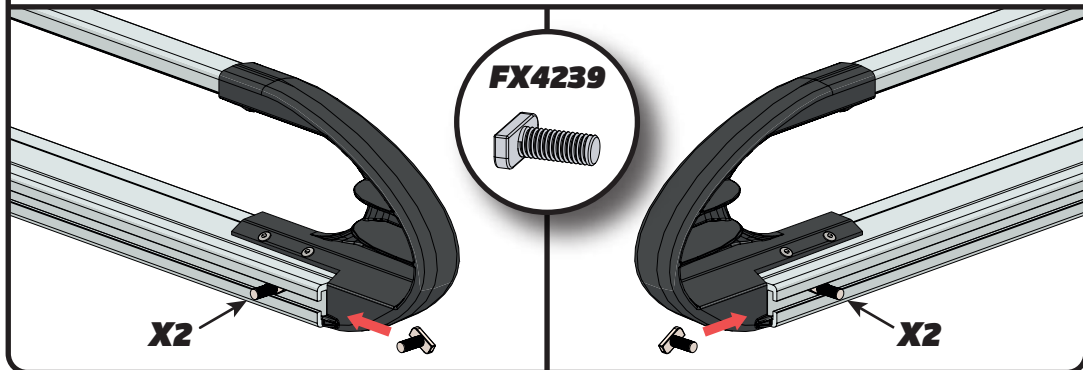
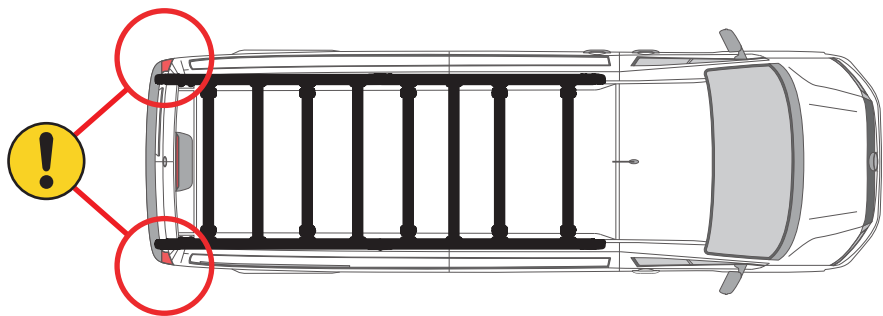
**27****X32****20Nm**

EN - TIGHTEN ALL OF THE CROSS BARS
 DE - ALLE QUERSTANGEN FESTZIEHEN
 FR - SERREZ TOUTES LES BARRES TRANSVERSALES
 NL - DRAAI ALLE DWARSBALK VAN HET DAK AAN
 ES - APRIETE TODAS LAS BARRAS TRANSVERSALES
 IT - STRINGERE TUTTE LE BARRE TRASVERSALI

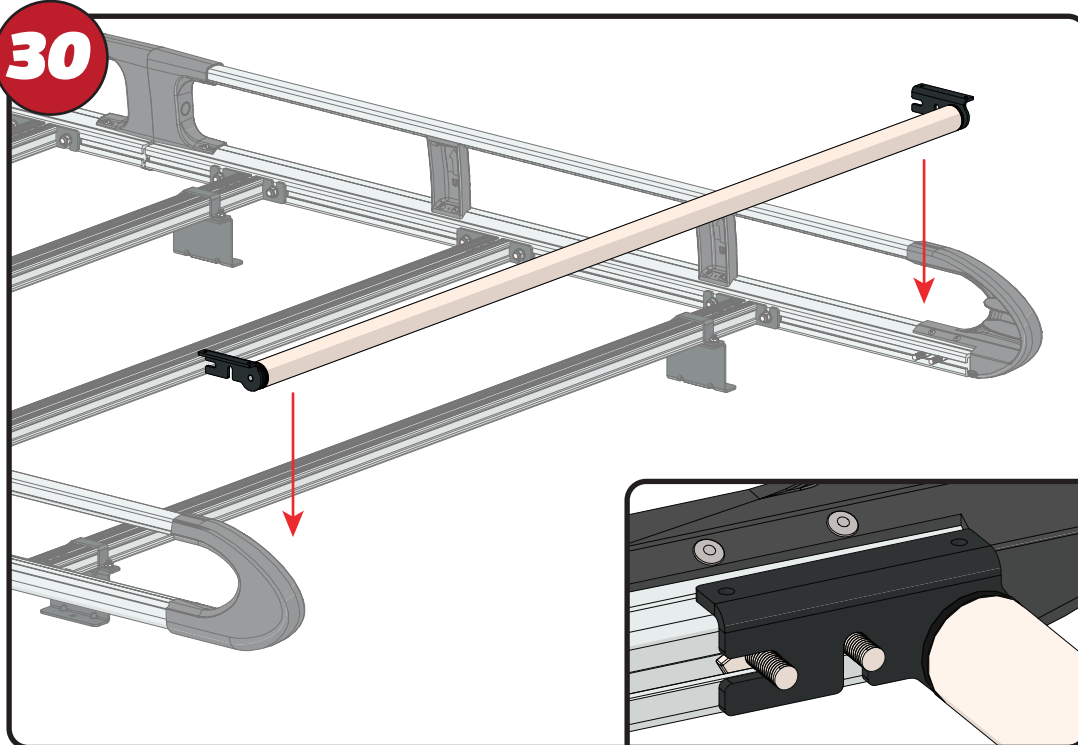
SV - SKRU UPP ALLA KORSSTANGAR
 DA - SKRU ALLE TAGBØJLER OP
 NO - SKRU OPP ALLE TVERRSTENGER
 PL - DOKRĘCIĆ WSZYSTKIE POPRZECZKI
 CS - VŠECHNY PŘÍČNÉ TYČE SEŠROUJTE

28

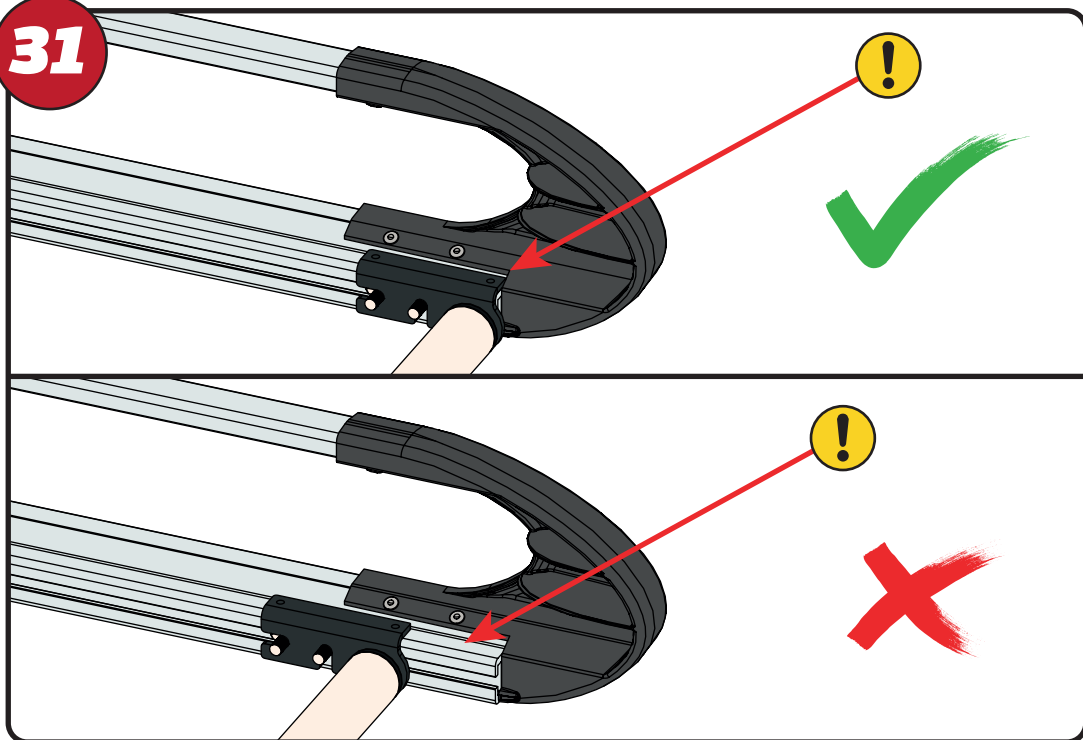
29



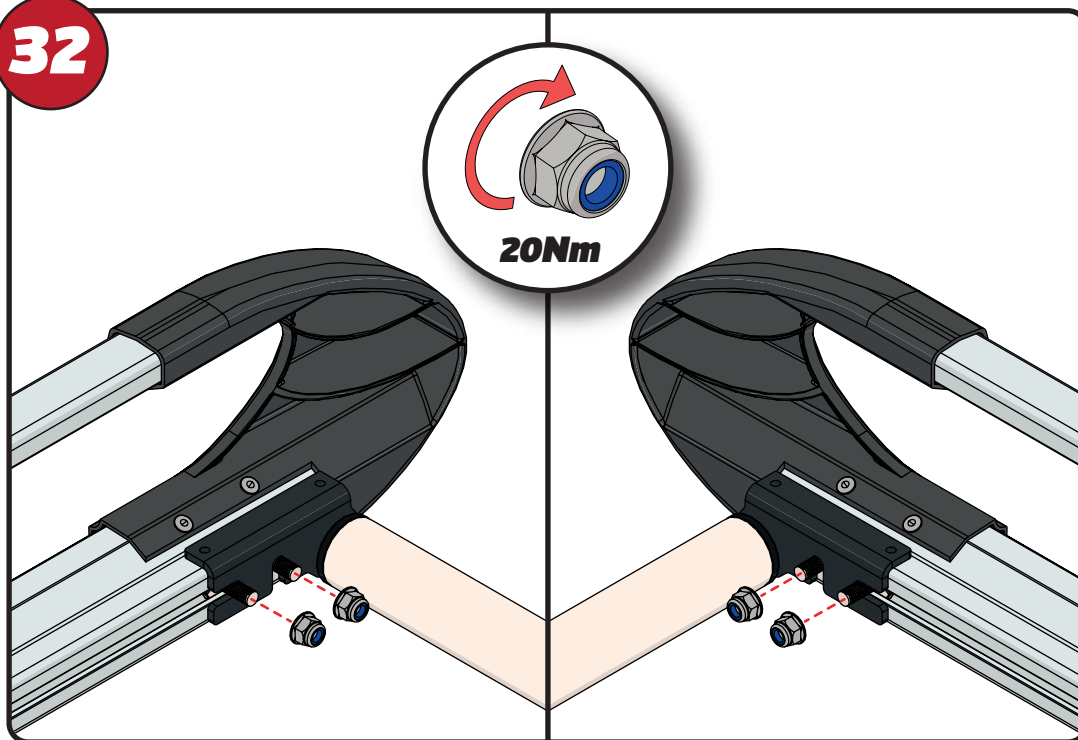
30



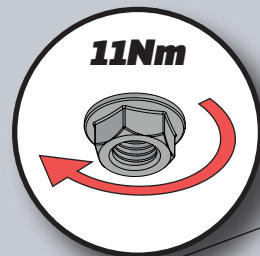
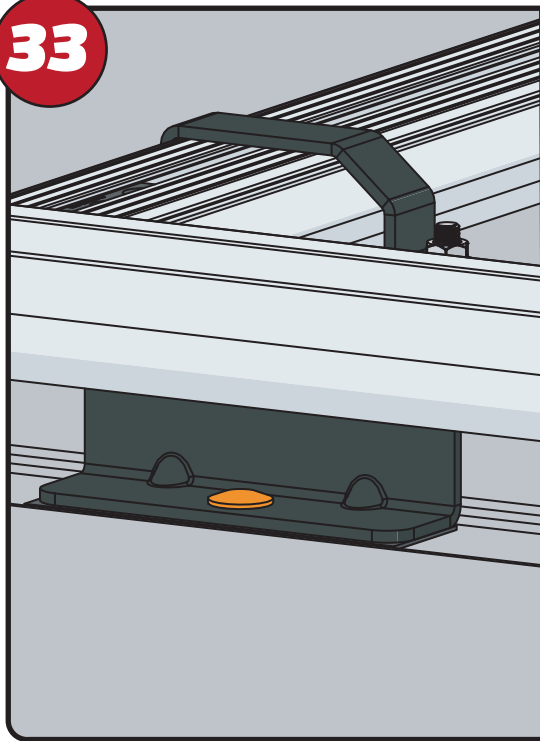
31



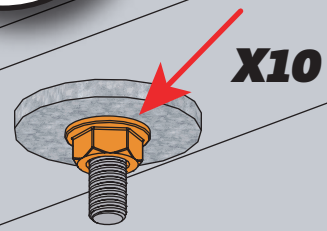
32



33

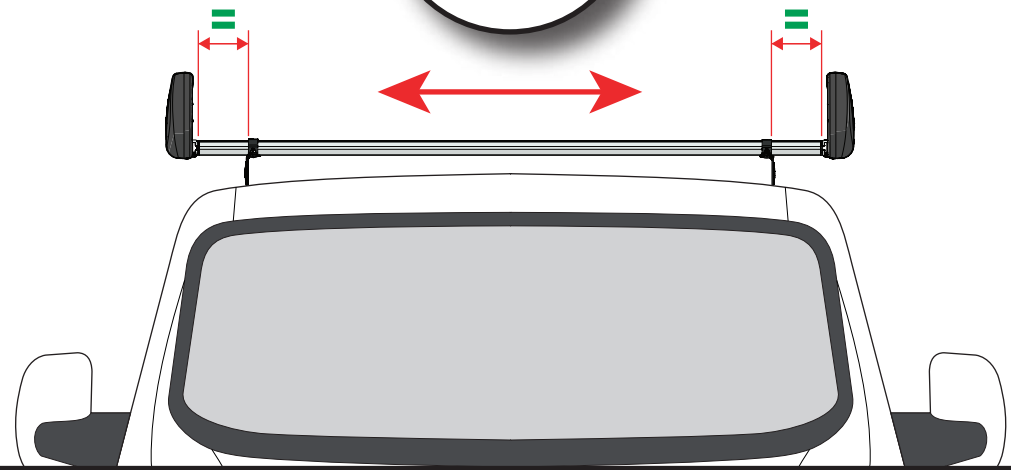
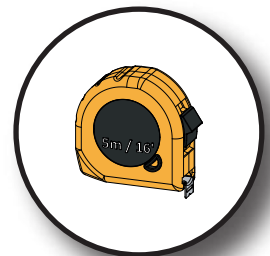


11Nm

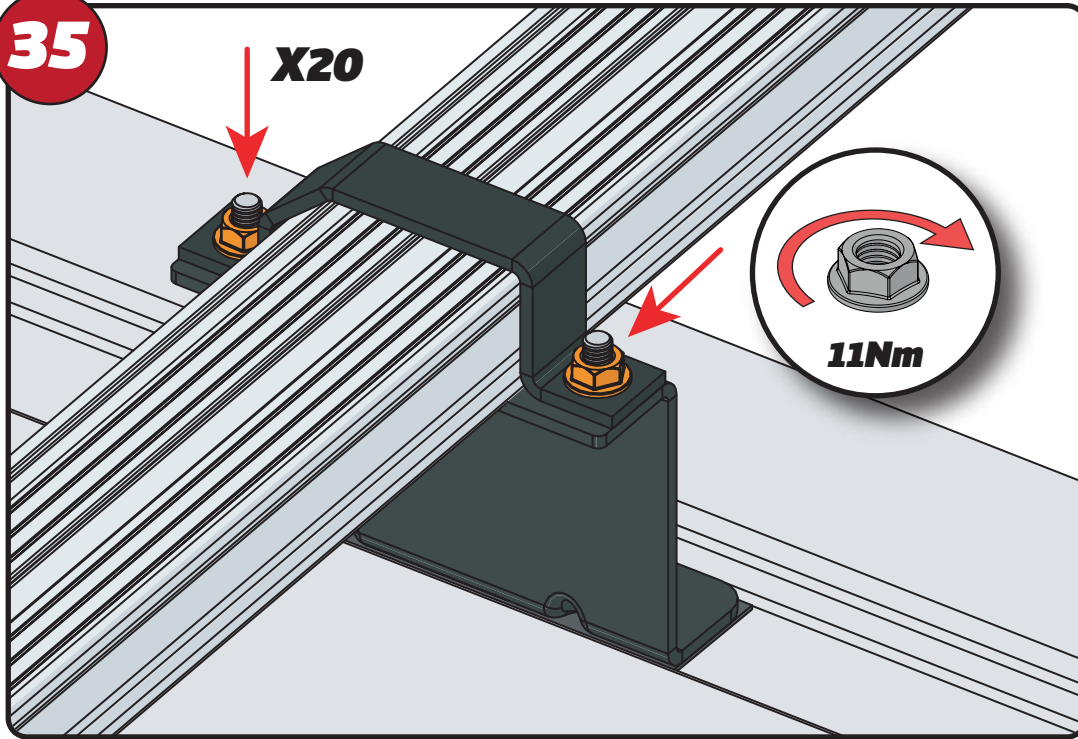


X10

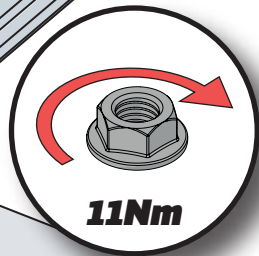
34



35



X20



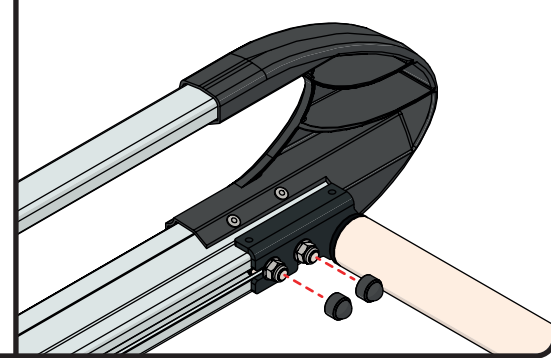
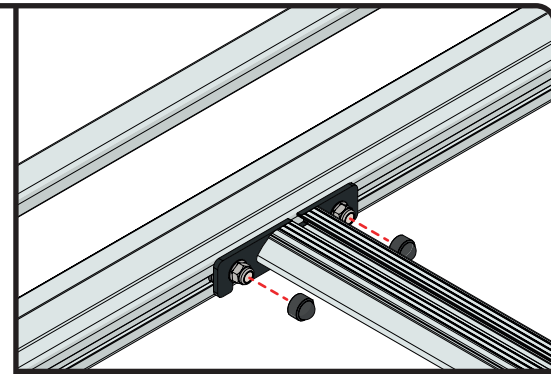
11Nm

36



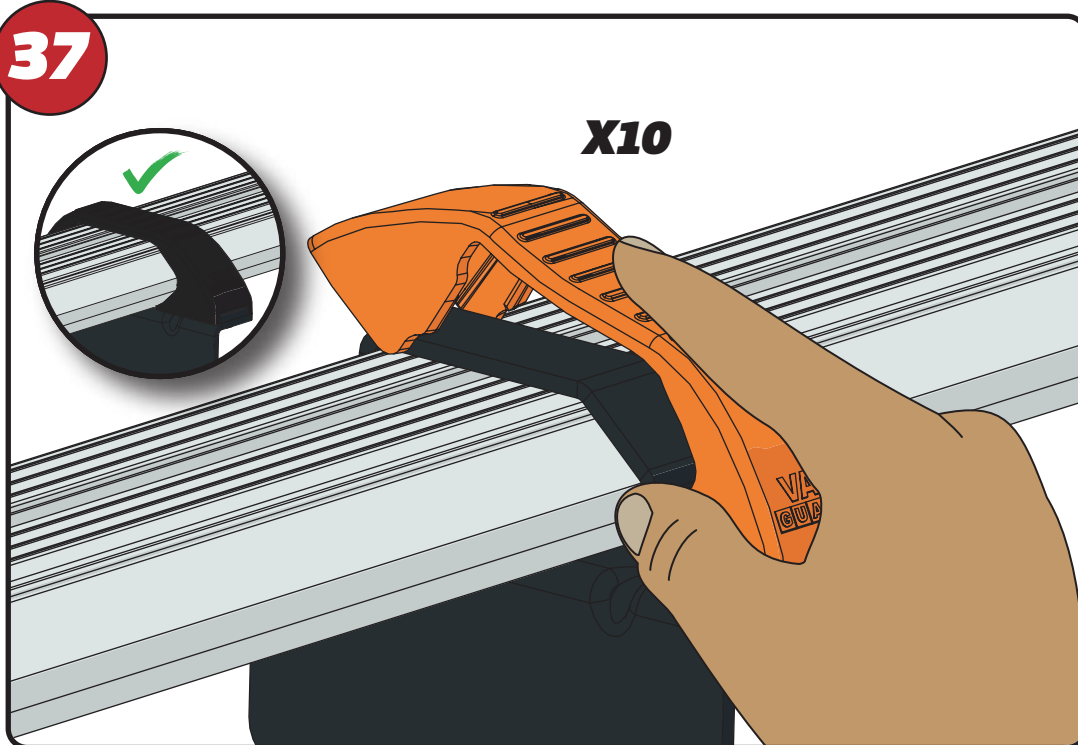
FX4241

X36



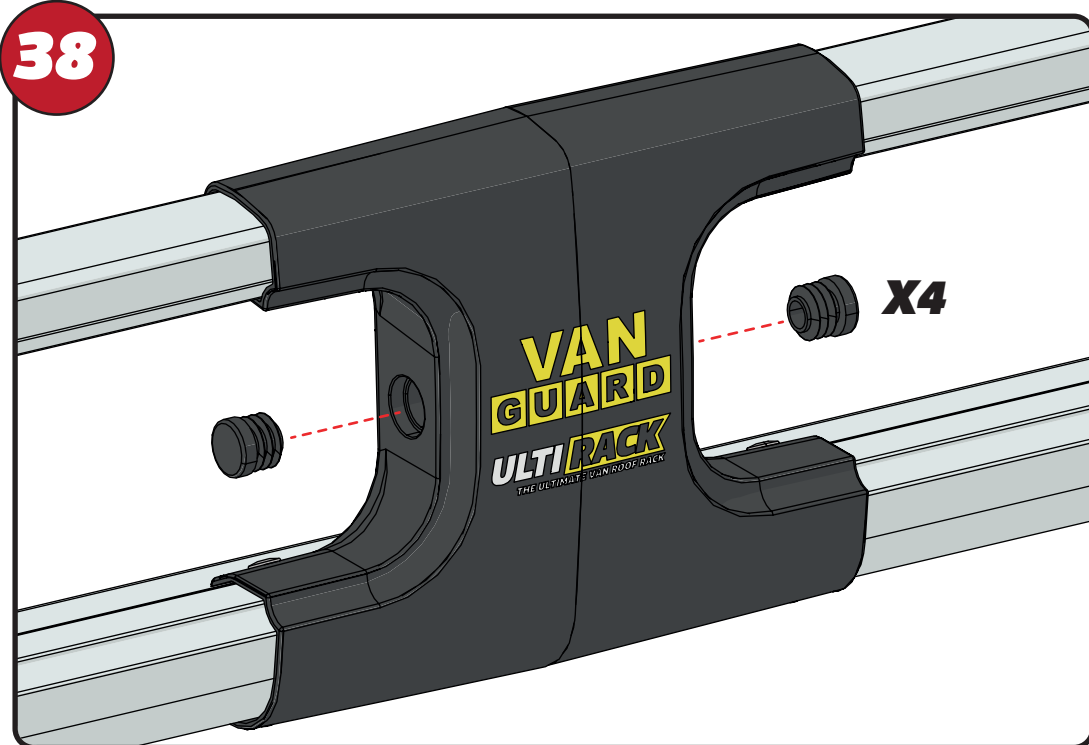
37

X10



38

X4



39

