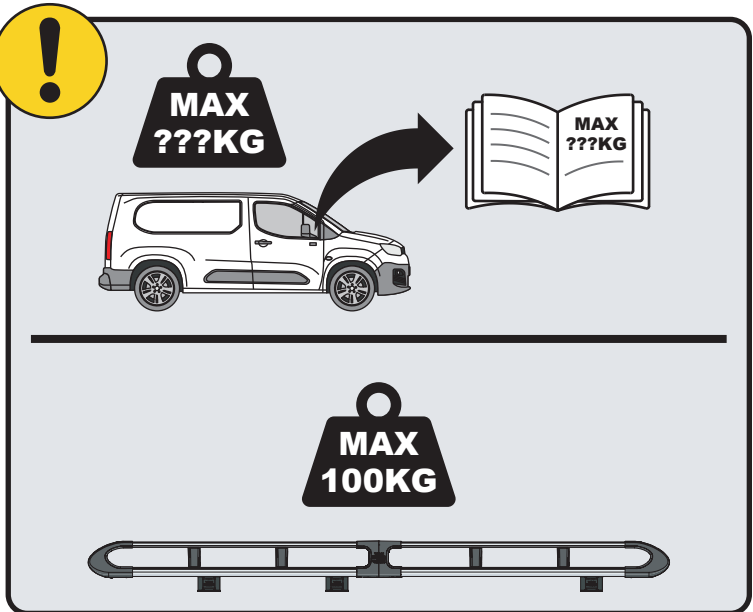
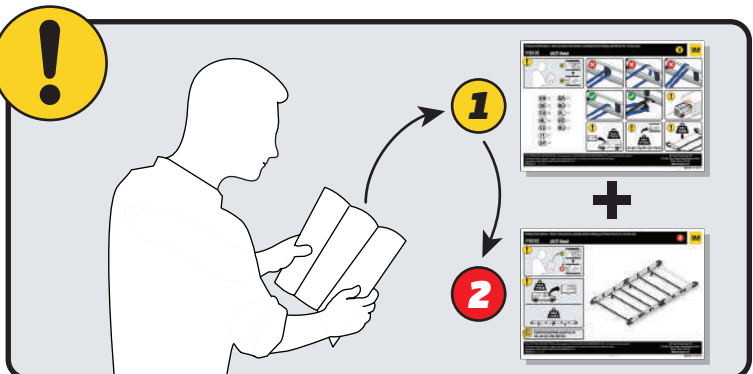


# IN8362

## ULTI Rack+



 [Customercare@van-guard.co.uk](mailto:Customercare@van-guard.co.uk)  
UK +44 (0) 1392 368 351



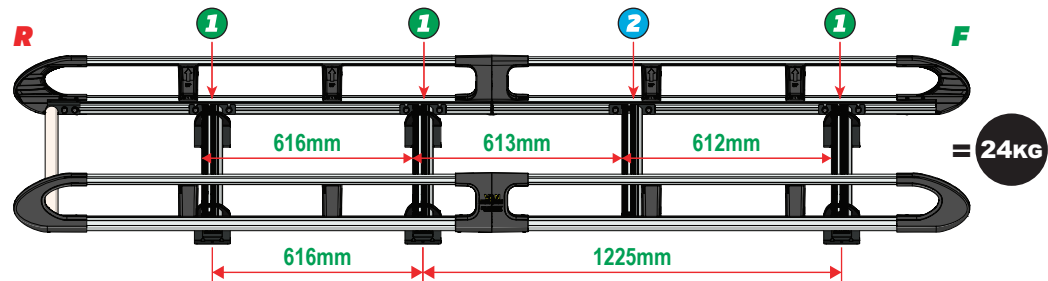
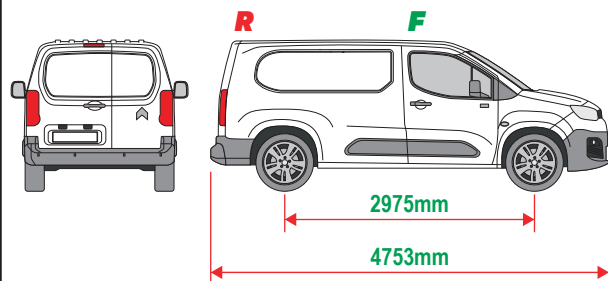
This FITTING INSTRUCTION is the property of VAN GUARD ACCESSORIES LTD. and must not be used for manufacturing purposes, copied nor communicated in any way to third parties without written permission from VAN GUARD ACCESSORIES LTD.  
IN8362\_B (CN:00356)

Van Guard Accessories Ltd  
Fair Oak Close, Exeter Airport Business Park,  
Exeter, Devon, EX5 2UL  
[www.van-guard.co.uk](http://www.van-guard.co.uk)

THIS INSTRUCTION COVERS THE FOLLOWING MODELS - CHECK YOU ARE FITTING THE CORRECT MODEL BEFORE PROCEEDING

### VGUR-283

Citroen Berlingo: 2019 on  
Peugeot Partner: 2019 on  
Vauxhall Combo: 2019 on  
**L2H1 (LWB)**  
Twin Rear Doors



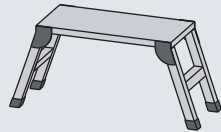
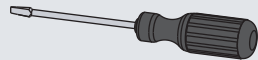
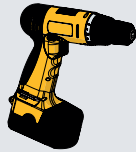
**SUPPLIED COMPONENTS - CHECK ALL PARTS ARE PRESENT AND CORRECT BEFORE PROCEEDING (1 OF 2)**

**TOOLS REQUIRED**

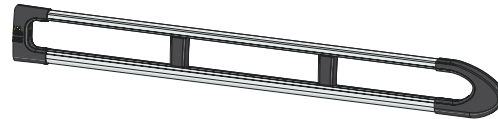
**10MM X1**



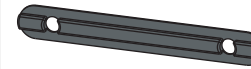
**13MM X1**



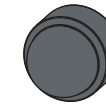
**AS3537 X2**  
(2600 / A)



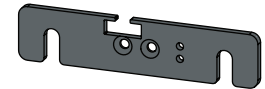
**MA6118 X8**



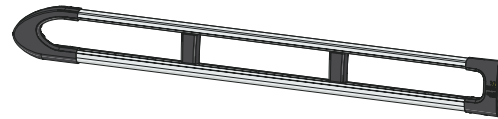
**FX4241 X20**



**ME1622 X1**



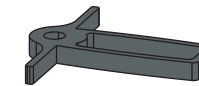
**AS3536 X2**  
(2600 / B)



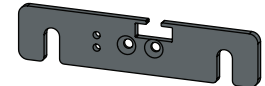
**FX4008 X1**



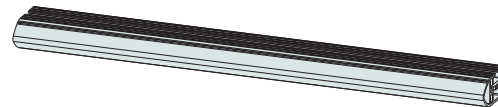
**MA6145 X1**



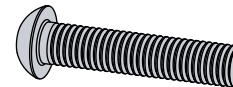
**ME1623 X1**



**ME1626 X4**  
(1264mm)



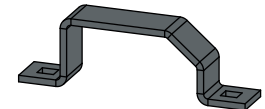
**FX4001 X2**  
(M8X40)



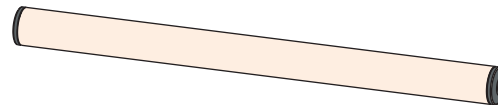
**FX4235 X16**  
(M5X25)



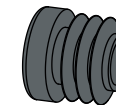
**ME0203 X6**



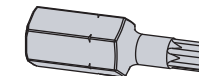
**AS3158 X1**  
(1250mm)



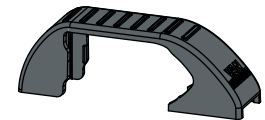
**MA6007 X4**



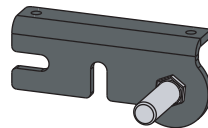
**FX4248 X1**  
(T25)



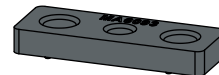
**MA6065 X6**



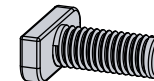
**AS3590 X1**



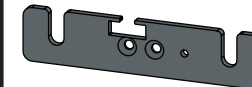
**MA6093 X8**



**FX4239 X20**  
(M8X20)



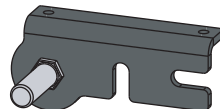
**ME1620 X3**



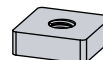
**FX4016 X12**  
(M6)



**AS3591 X1**



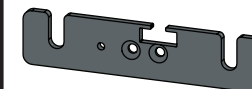
**ME0316 X8**



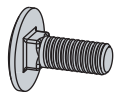
**FX4240 X20**  
(M8)



**ME1621 X3**

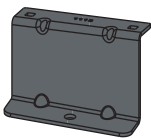


**FX4042 X12**  
(M6X16)



SUPPLIED COMPONENTS - CHECK ALL PARTS ARE PRESENT AND CORRECT BEFORE PROCEEDING (2 OF 2)

ME1113 X1

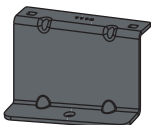


FX4019 X6

(M8)

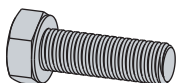


ME1114 X1

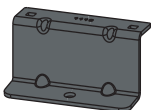


FX4028 X6

(M8X25)

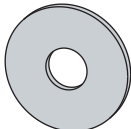


ME1115 X2



FX4040 X6

(M8)



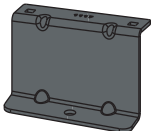
ME1116 X1



MA6092 X6



ME1117 X1

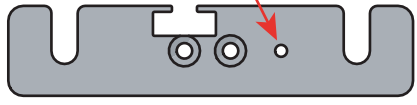


FX4014 X6



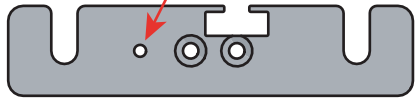
**01**

**1L**



**X3**

**1R**



**X3**

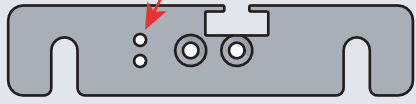


**2L**



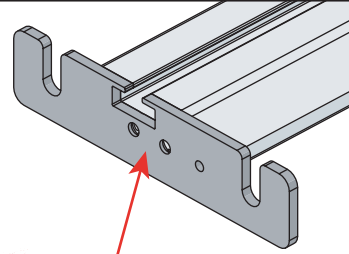
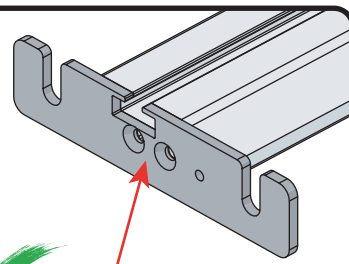
**X1**

**2R**



**X1**

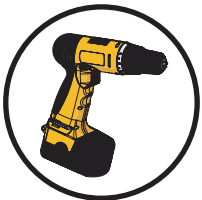
**02**



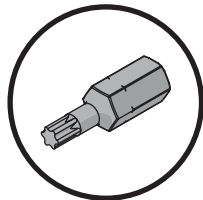
**03**

**01**

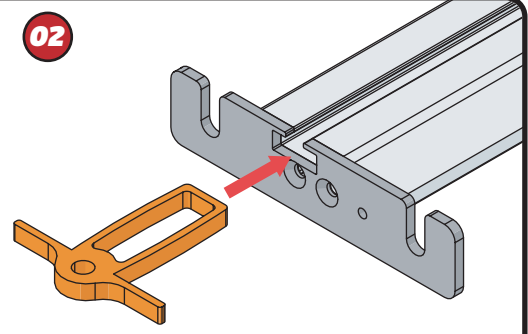
**FX4248**



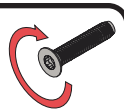
**+**



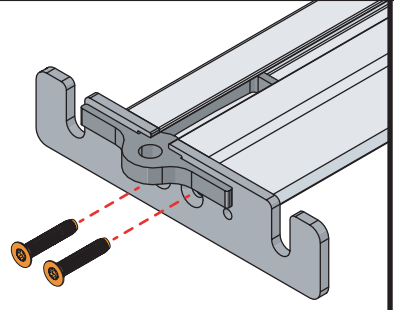
**02**



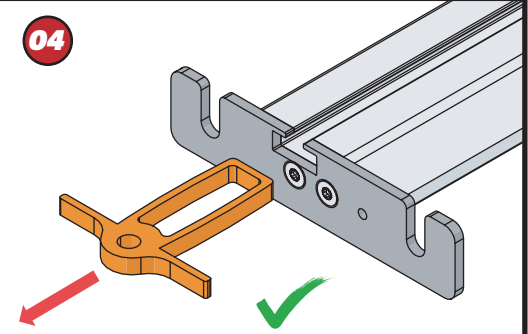
**03**



**11Nm**



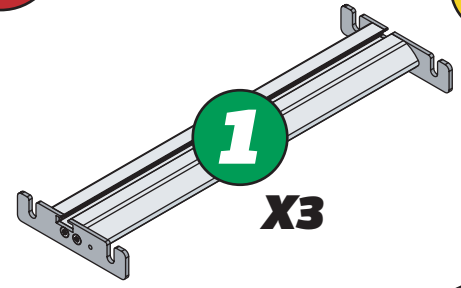
**04**



**04**

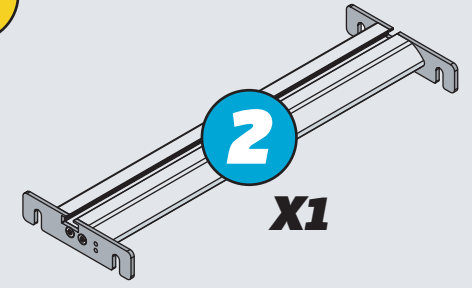


**1**

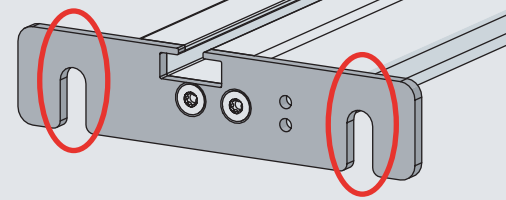
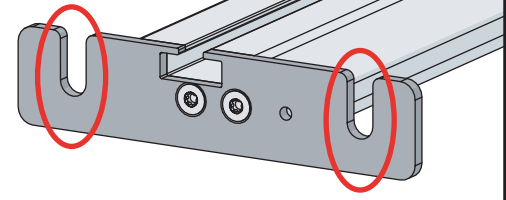


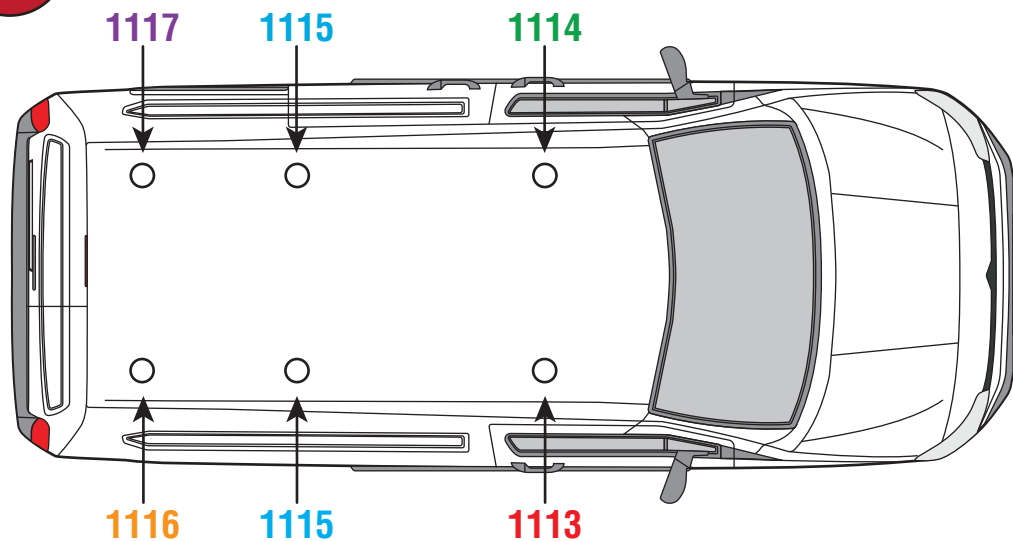
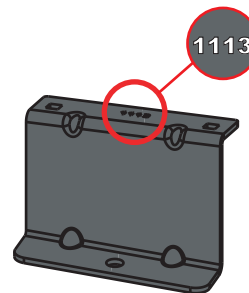
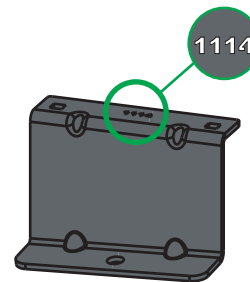
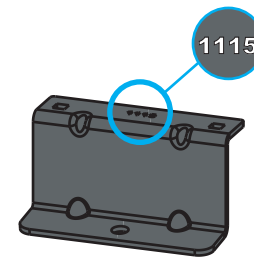
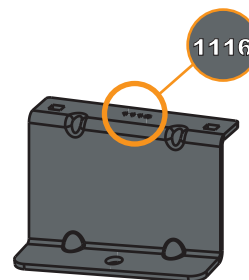
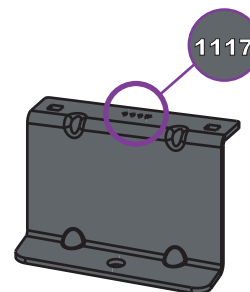
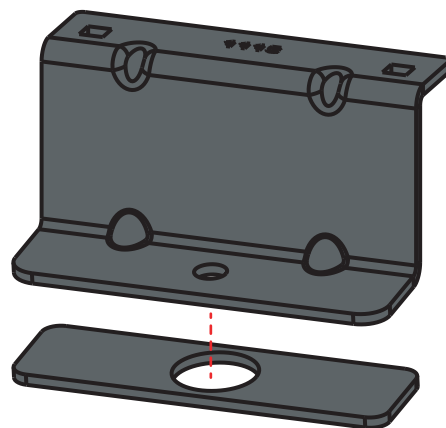
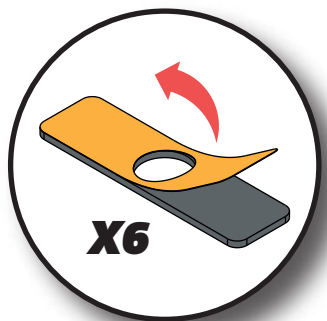
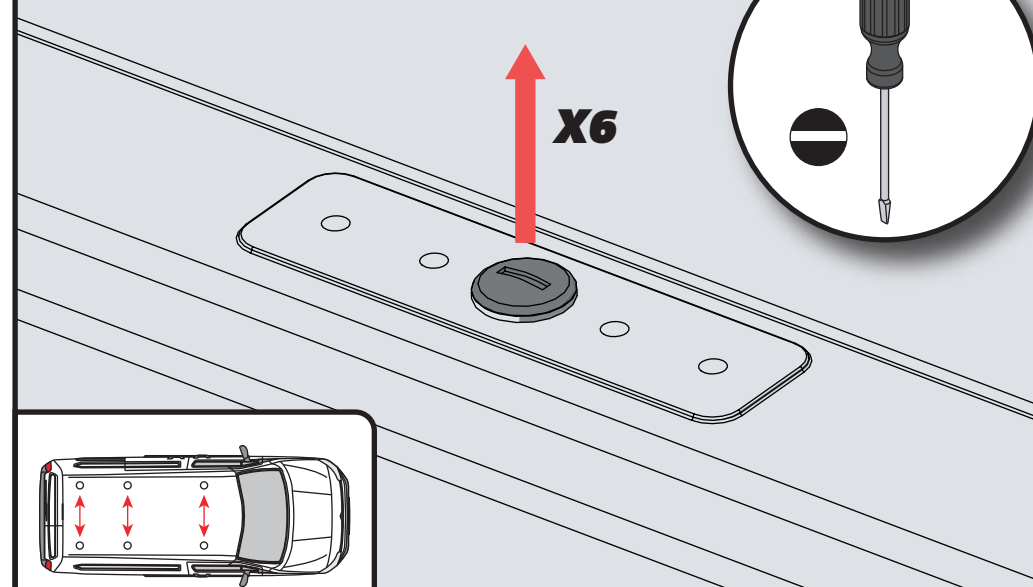
**X3**

**2**



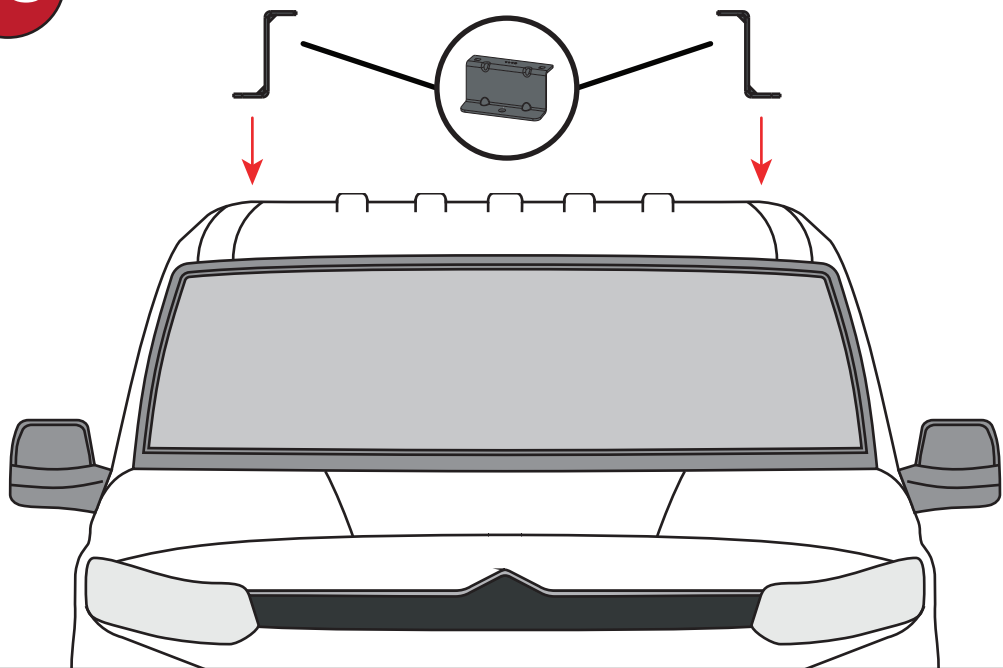
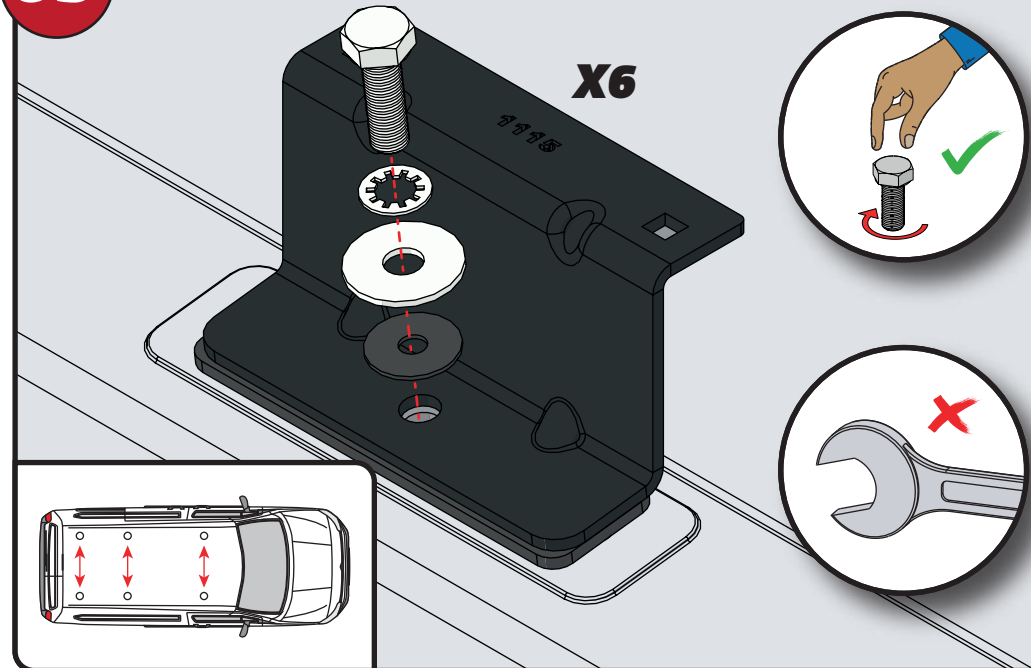
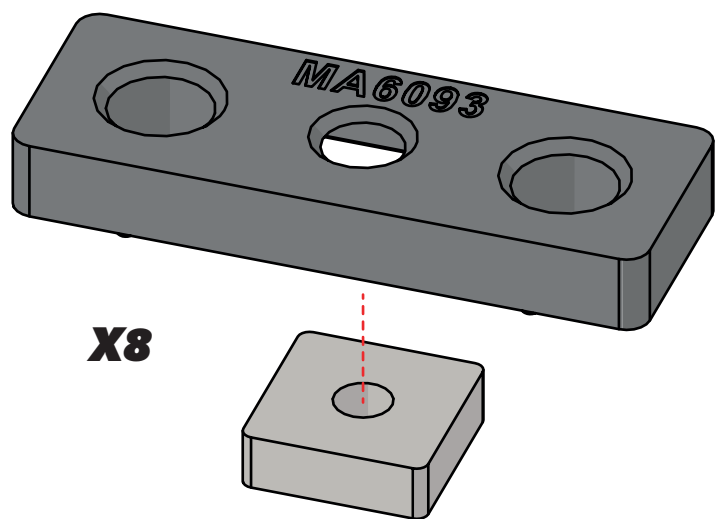
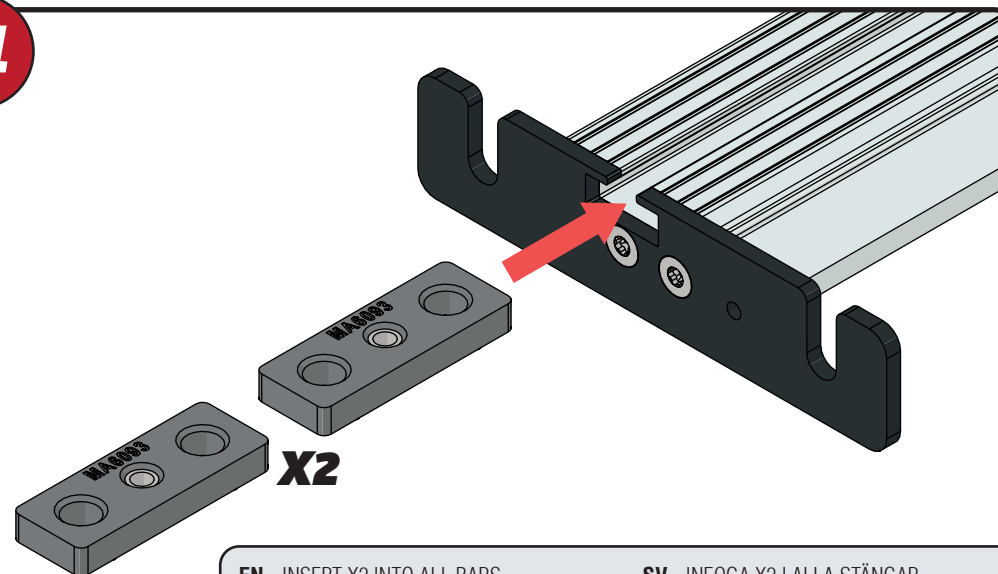
**X1**



**05****1113****1114****1115****1116****1117****06****07**

EN - STICK GASKETS TO ALL BRACKETS  
 DE - KLEBEN SIE DIE DICHTUNG AN ALLEN HALTERUNGEN  
 FR - COUSSINETS ADHÉSIFS À TOUS LES SUPPORTS  
 NL - PLAK PAKKING OP ALLE BEUGELS  
 ES - PEGA LAS ALMOHADILLAS A TODOS LOS SOPORTES  
 IT - ADESIVI GUARNIZIONI A TUTTE LE STAFFE

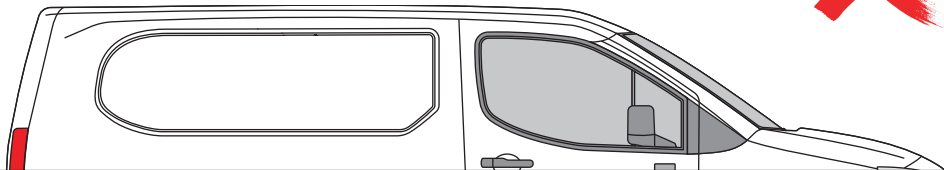
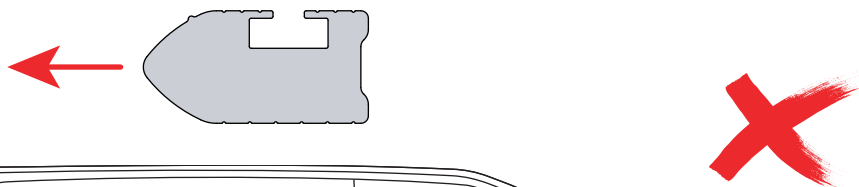
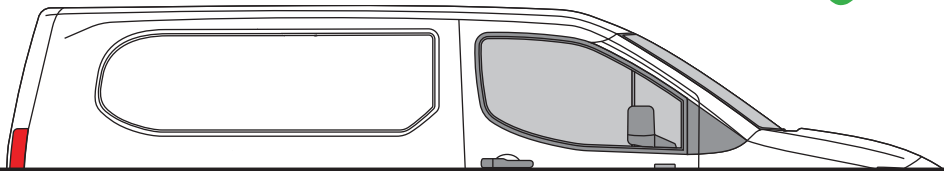
SV - FÄST GUMMI PÅ ALLA FÄSTEN  
 DA - KLÆB GUMMI PÅ ALLE BESLAG  
 NO - PLIST GUMMI PÅ ALLE BRAKKETTER  
 PL - NAKLEJ USZCZELKI DO WSZYSTKICH WSPORNIKÓW  
 CS - PŘILEPTE TĚSNĚNÍ NA VŠECHNY DRŽÁKY

**08****09****10****X8****11****X2**

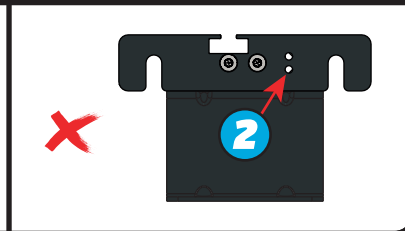
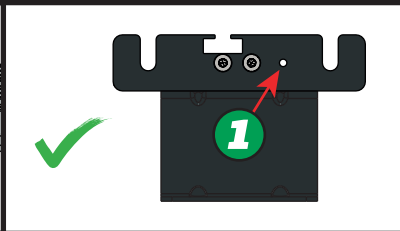
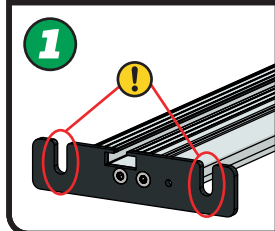
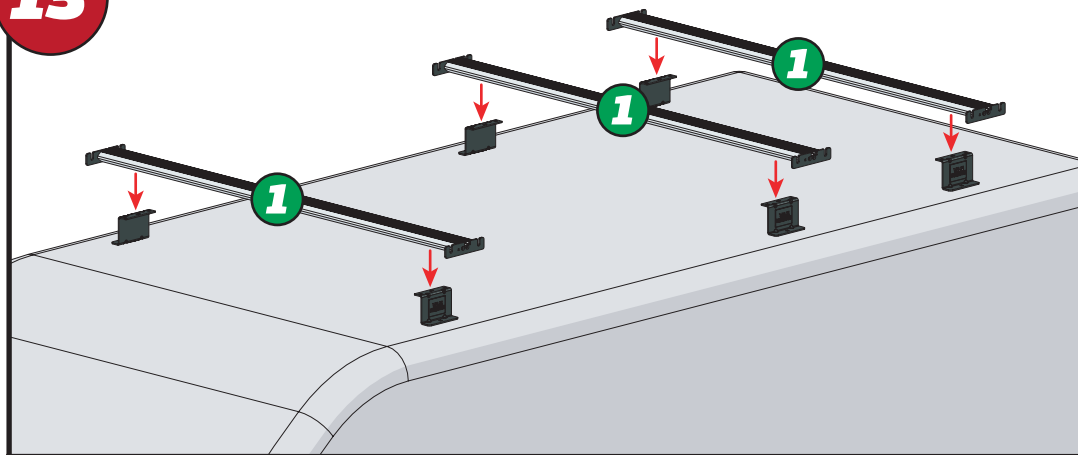
EN - INSERT X2 INTO ALL BARS  
 DE - X2 IN ALLE STANGEN EINFÜGEN  
 FR - INSÉRER X2 DANS TOUTES LES BARRES  
 NL - PLAATS X2 IN ALLE BARS  
 ES - INSERTAR X2 EN TODAS LAS BARRAS  
 IT - INSERIRE X2 IN TUTTE LE BARRE

SV - INFOGA X2 I ALLA STÄNGAR  
 DA - INDSÆT X2 I ALLE STÆNGER  
 NO - SETT X2 INN I ALLE TAKSTENGER  
 PL - WSTAW X2 DO WSZYSTKICH PRĘTÓW  
 CS - VLOŽTE X2 DO VŠECH TYČÍ

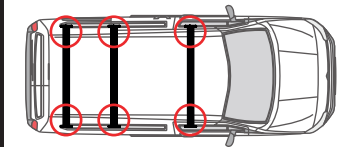
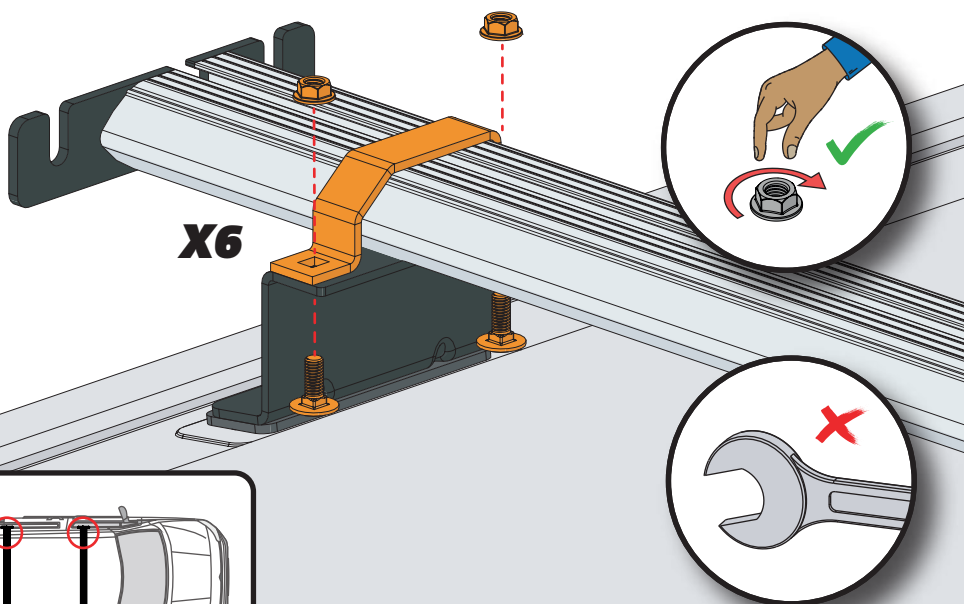
12



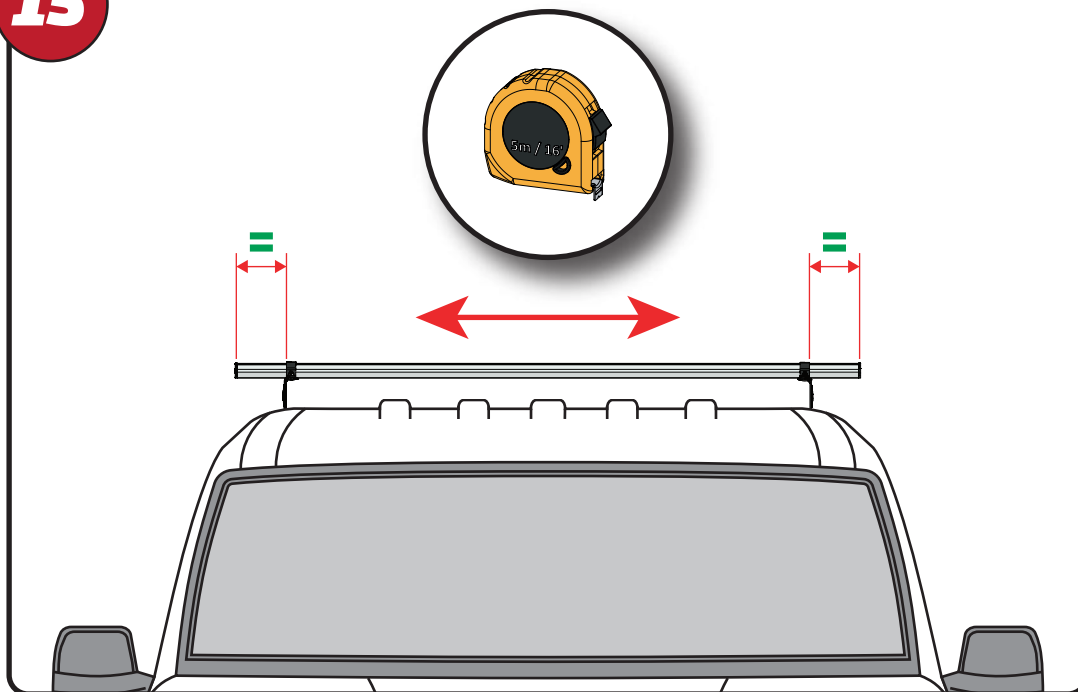
13



14



15

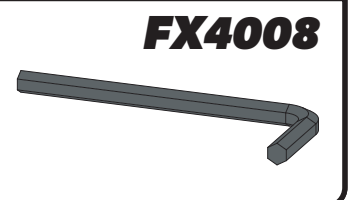
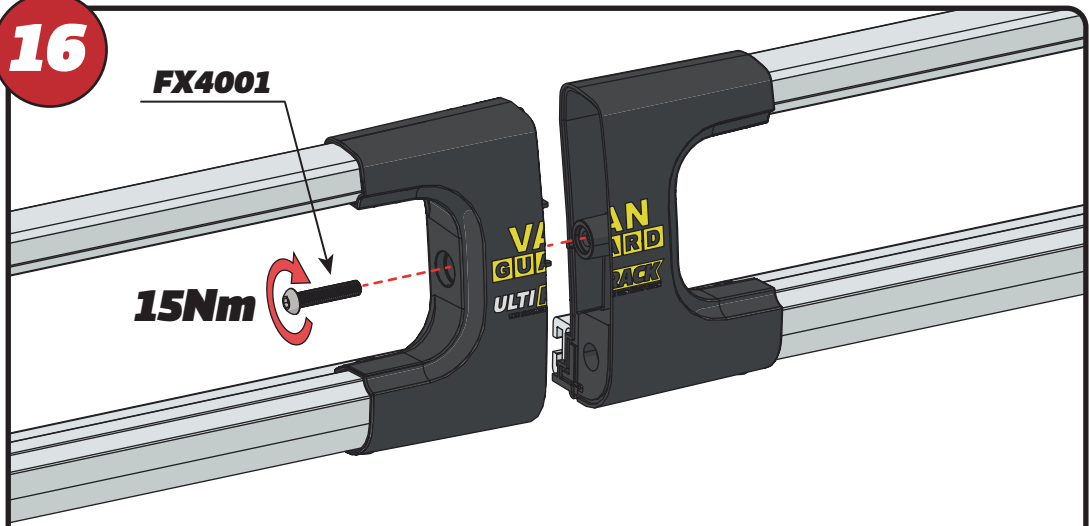




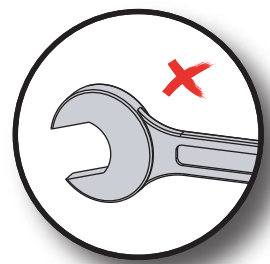
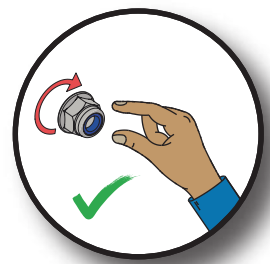
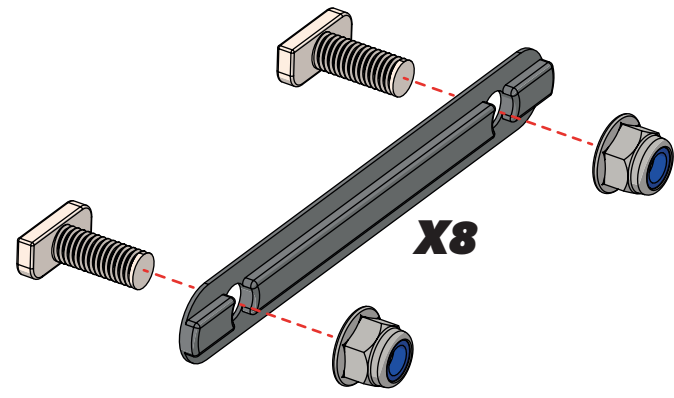
16

FX4001

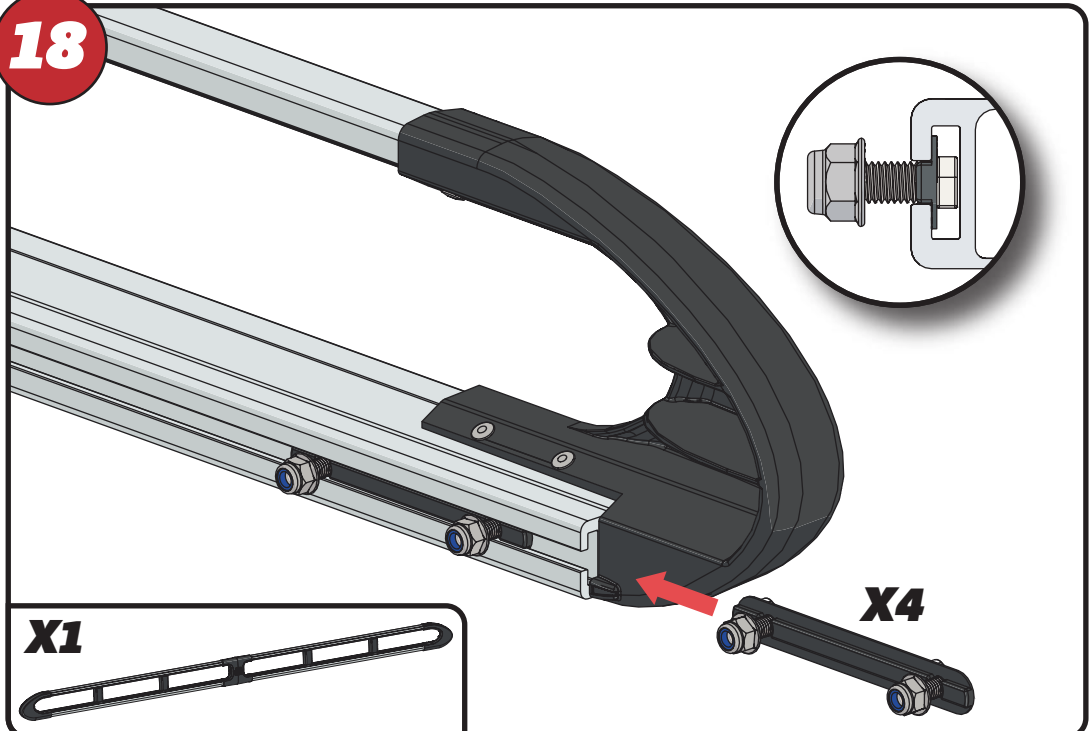
15Nm



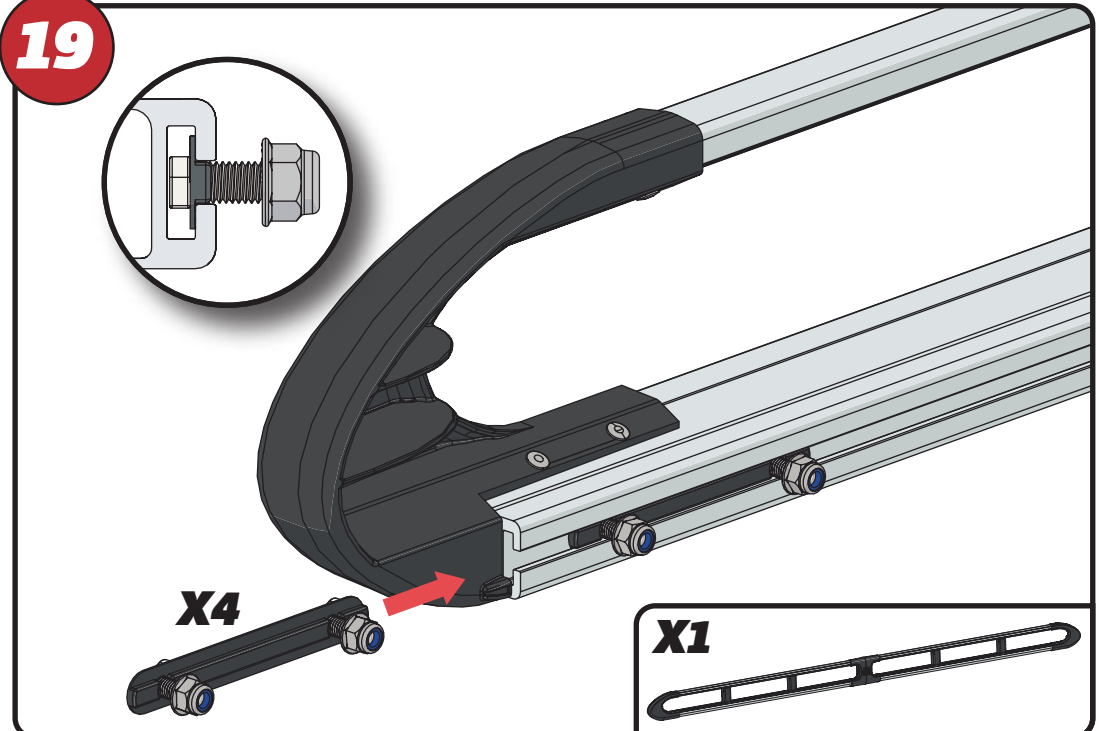
17



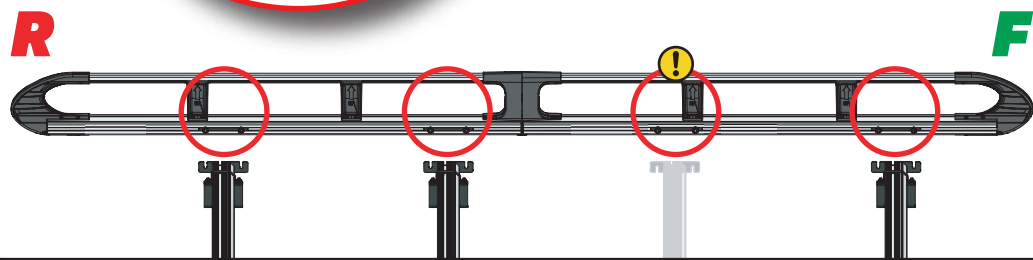
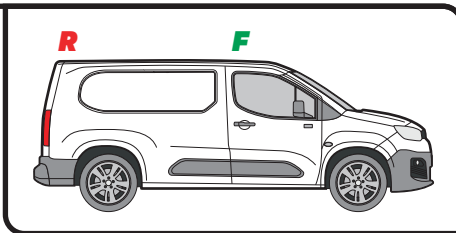
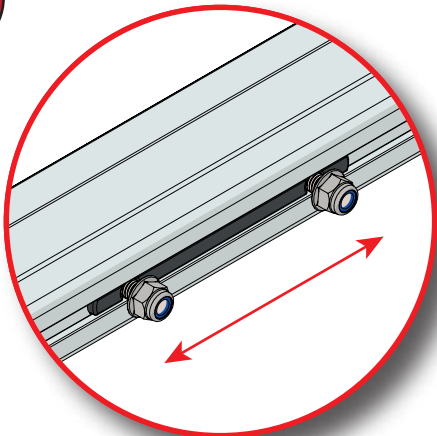
18



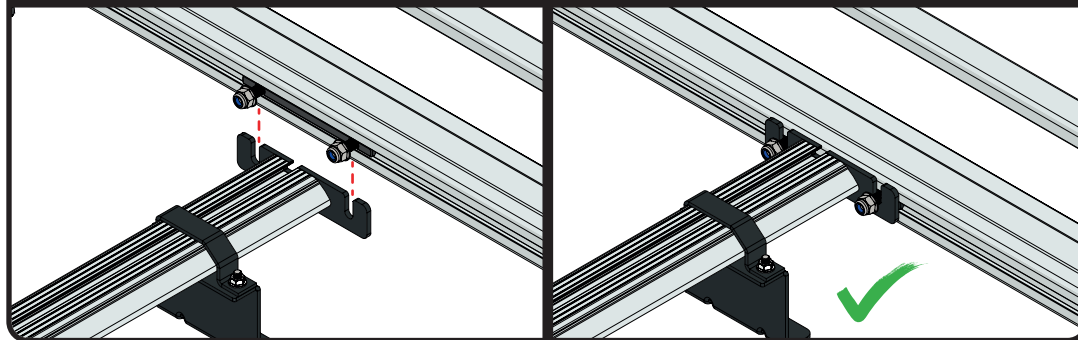
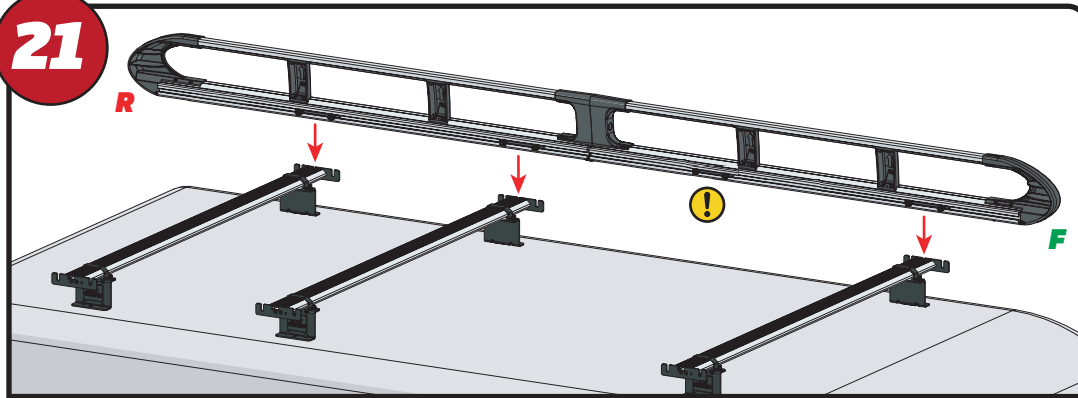
19



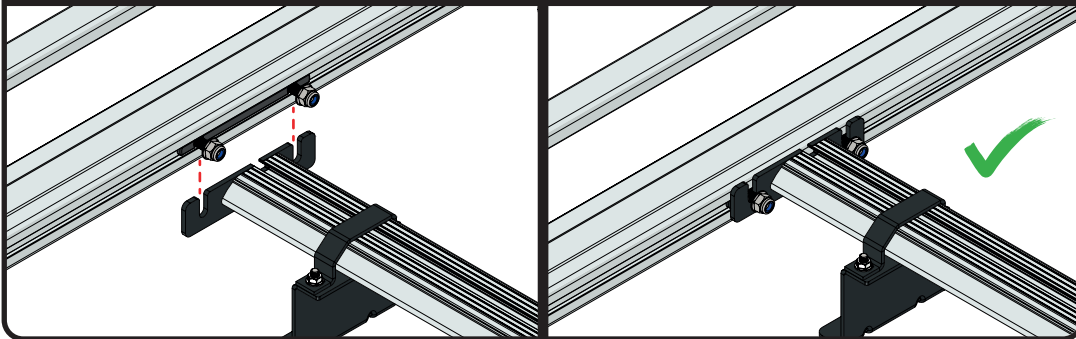
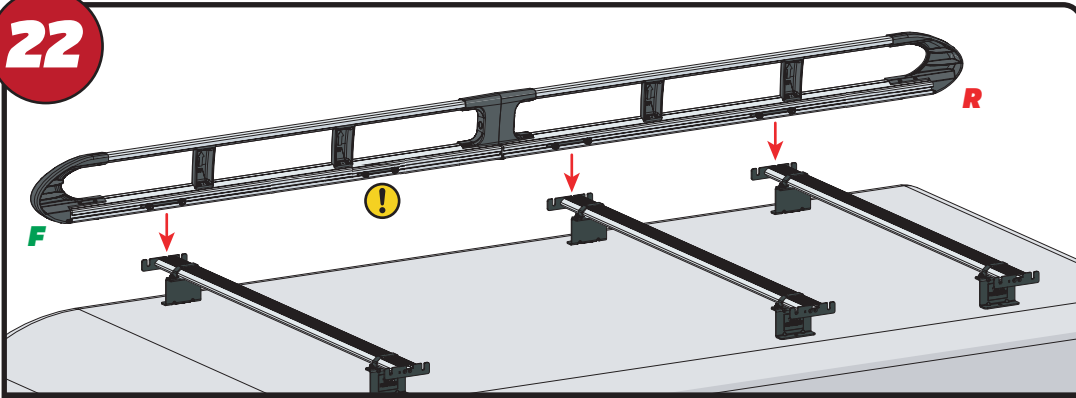
20



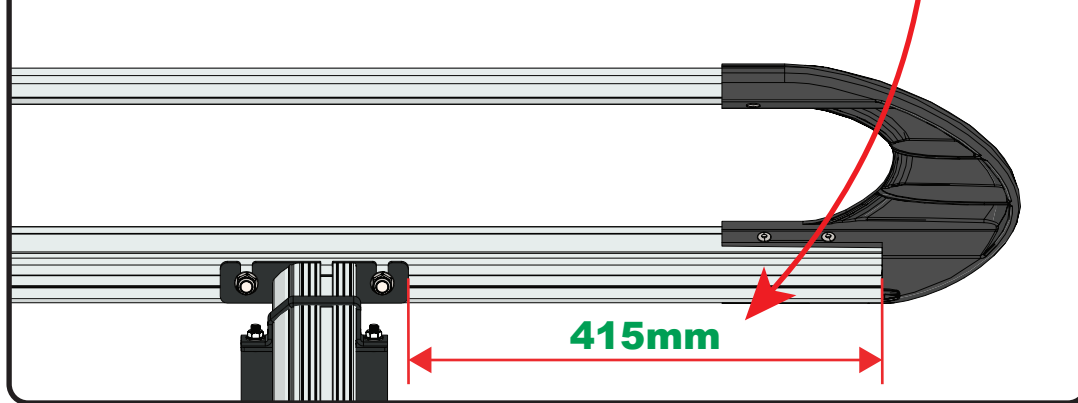
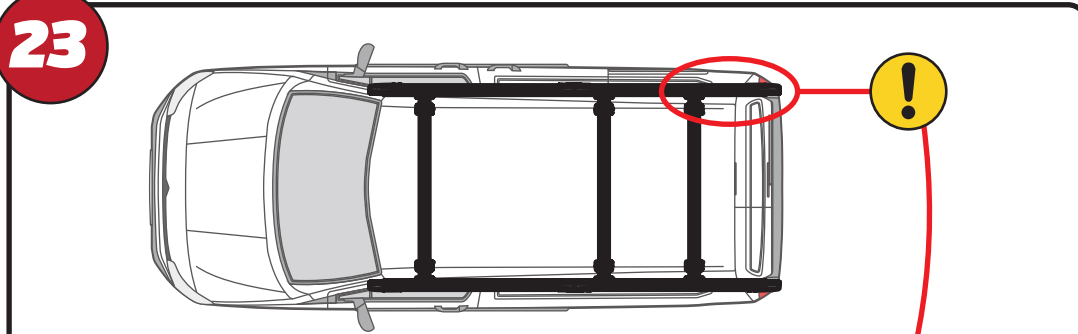
21

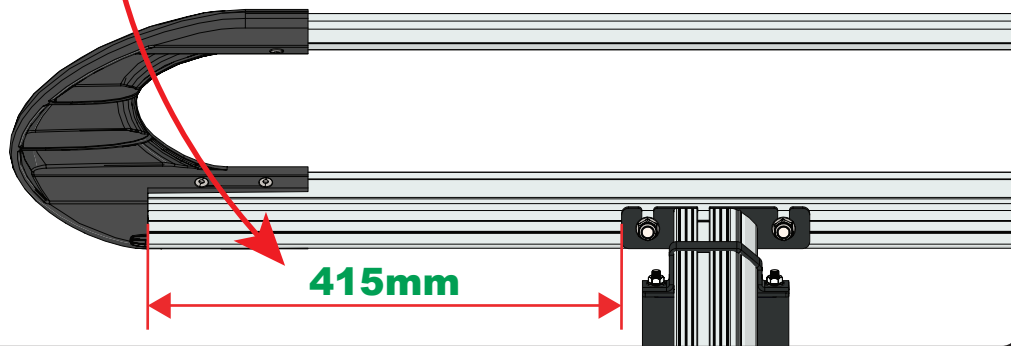
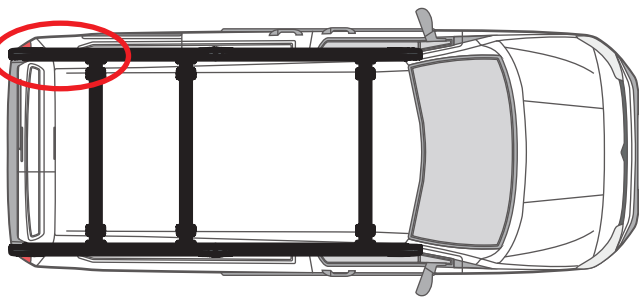
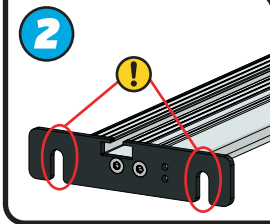
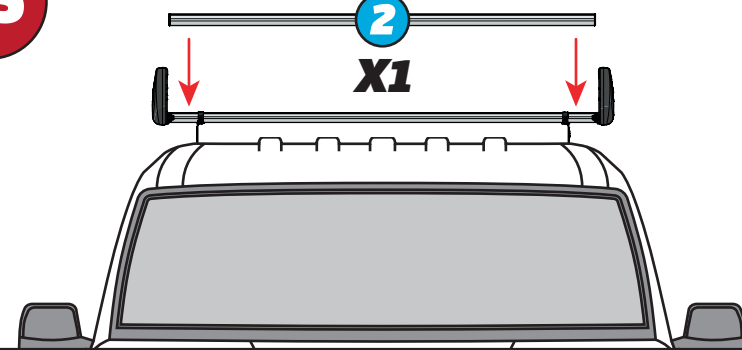
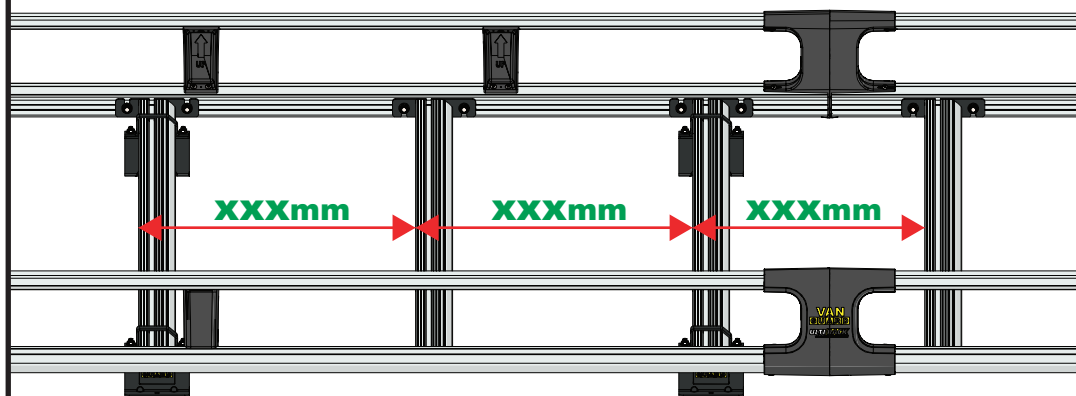
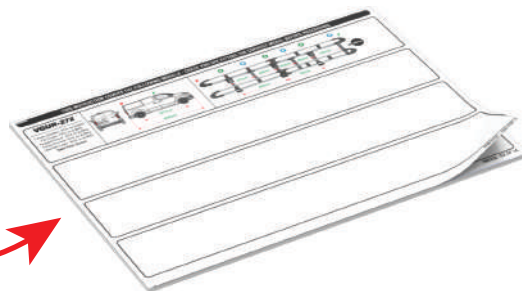
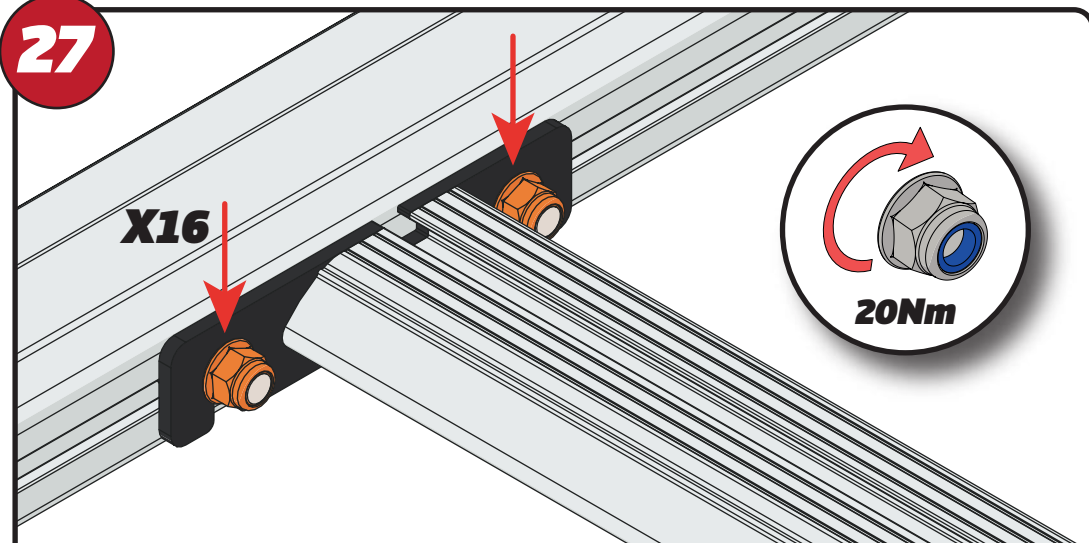


22



23

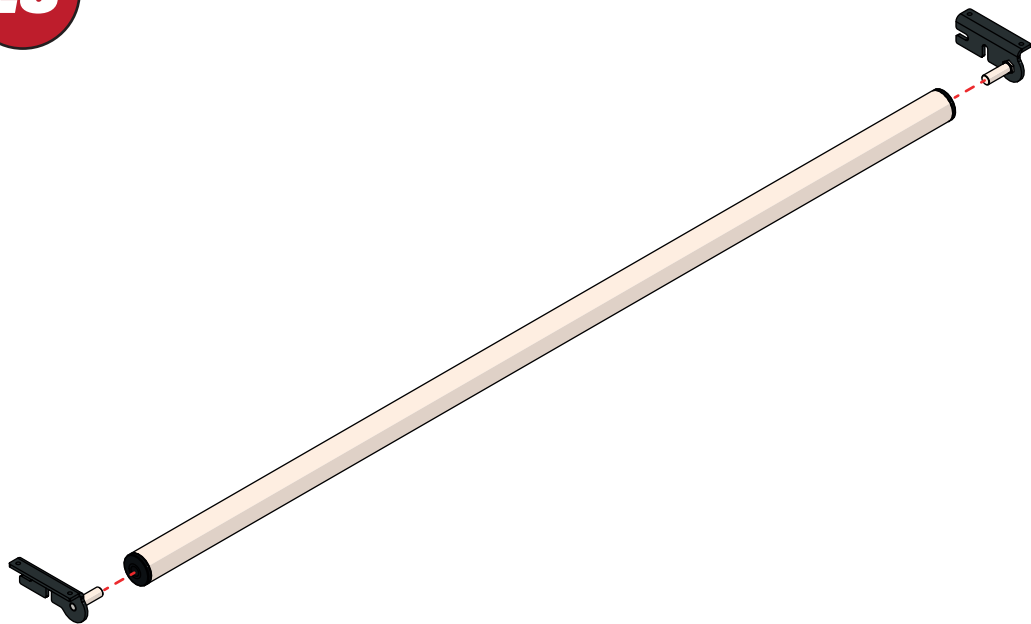


**24****415mm****25****2****X1****26**XXX =  
PAGE 2 OF 14**XXXmm****XXXmm****XXXmm****27****X16****20Nm**

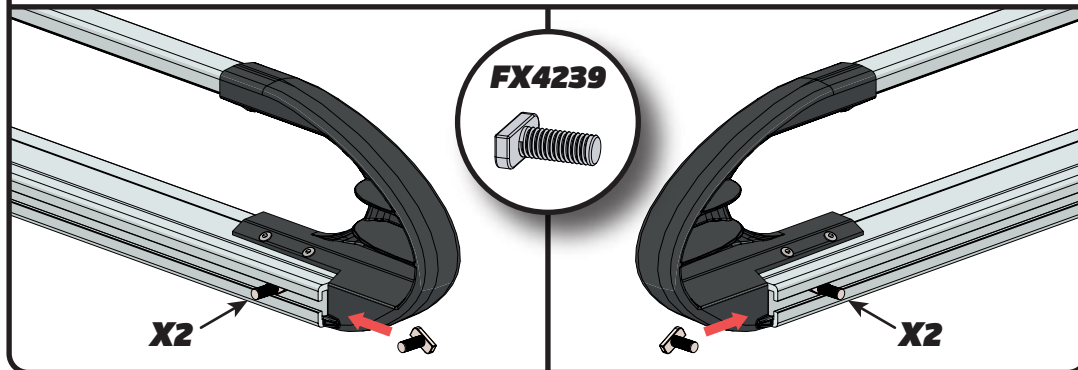
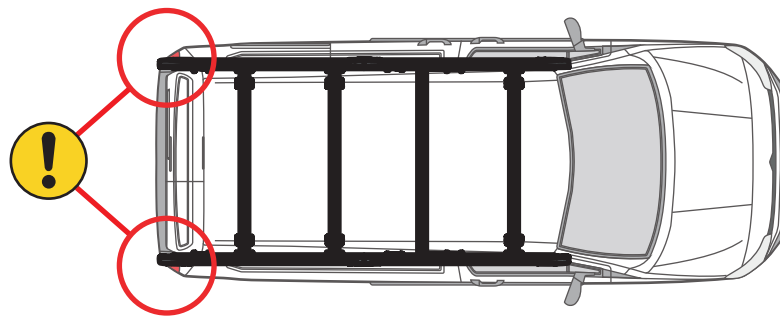
EN - TIGHTEN ALL OF THE CROSS BARS  
 DE - ALLE QUERSTANGEN FESTZIEHEN  
 FR - SERREZ TOUTES LES BARRES TRANSVERSALES  
 NL - DRAAI ALLE DWARSBALK VAN HET DAK AAN  
 ES - APRIETE TODAS LAS BARRAS TRANSVERSALES  
 IT - STRINGERE TUTTE LE BARRE TRASVERSALI

SV - SKRU UPP ALLA KORSSTANGAR  
 DA - SKRU ALLE TAGBØJLER OP  
 NO - SKRU OPP ALLE TVERRSTENGER  
 PL - DOKRĘCIĆ WSZYSTKIE POPRZECZKI  
 CS - VŠECHNY PŘÍČNÉ TYČE SEŠROUJTE

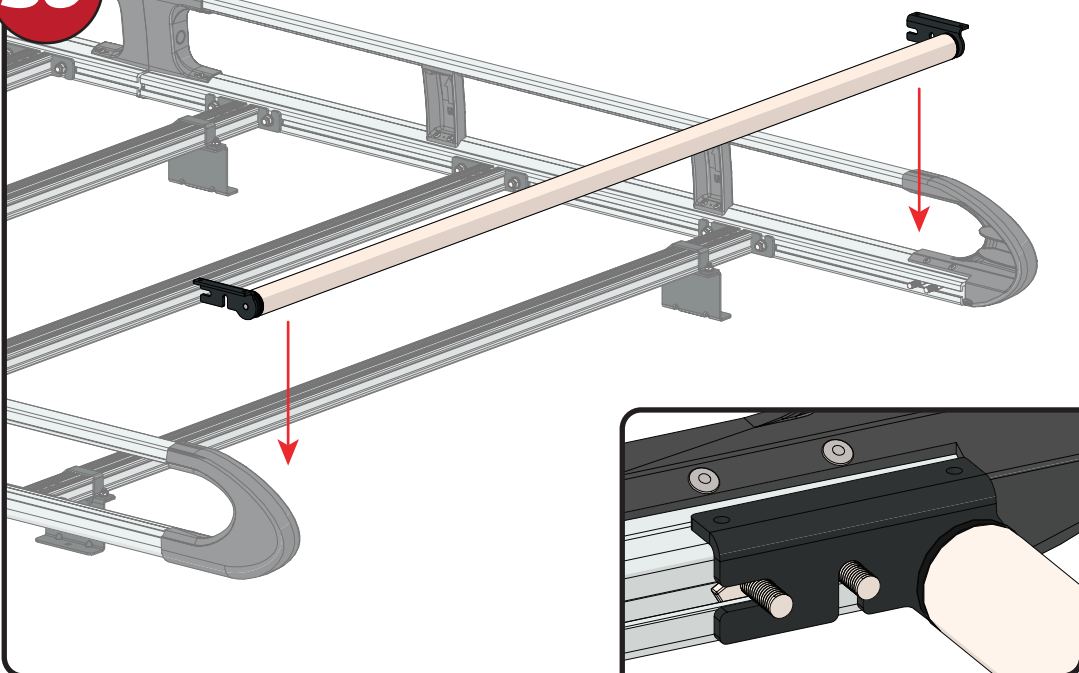
28



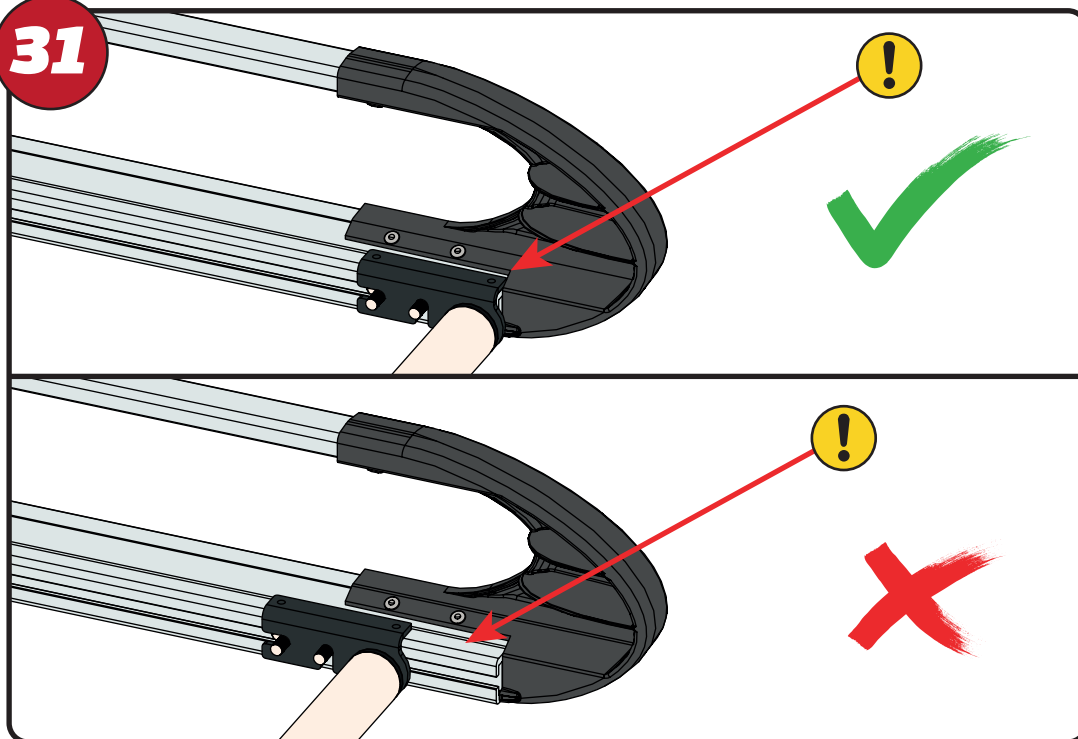
29



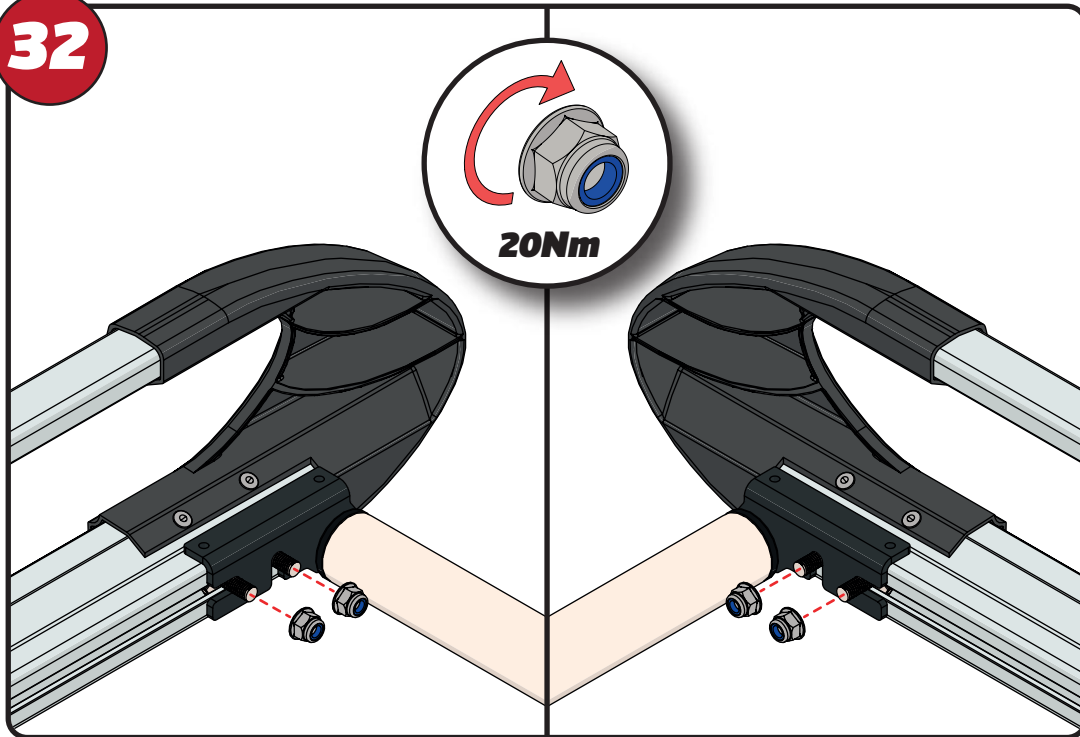
30



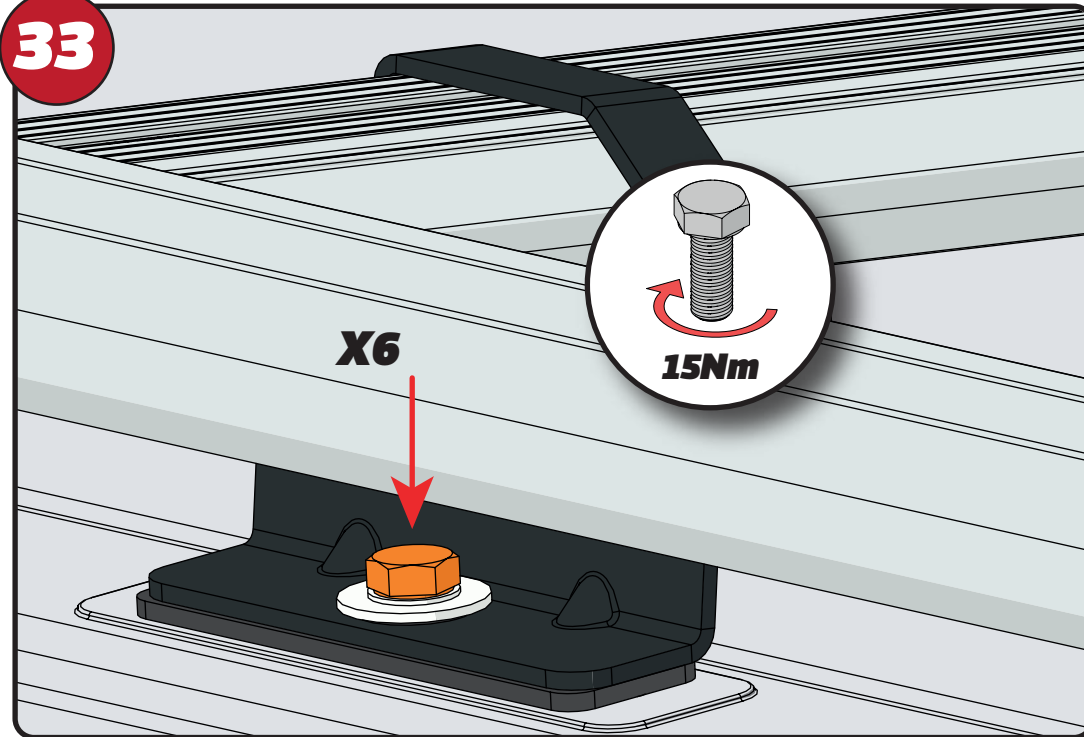
31



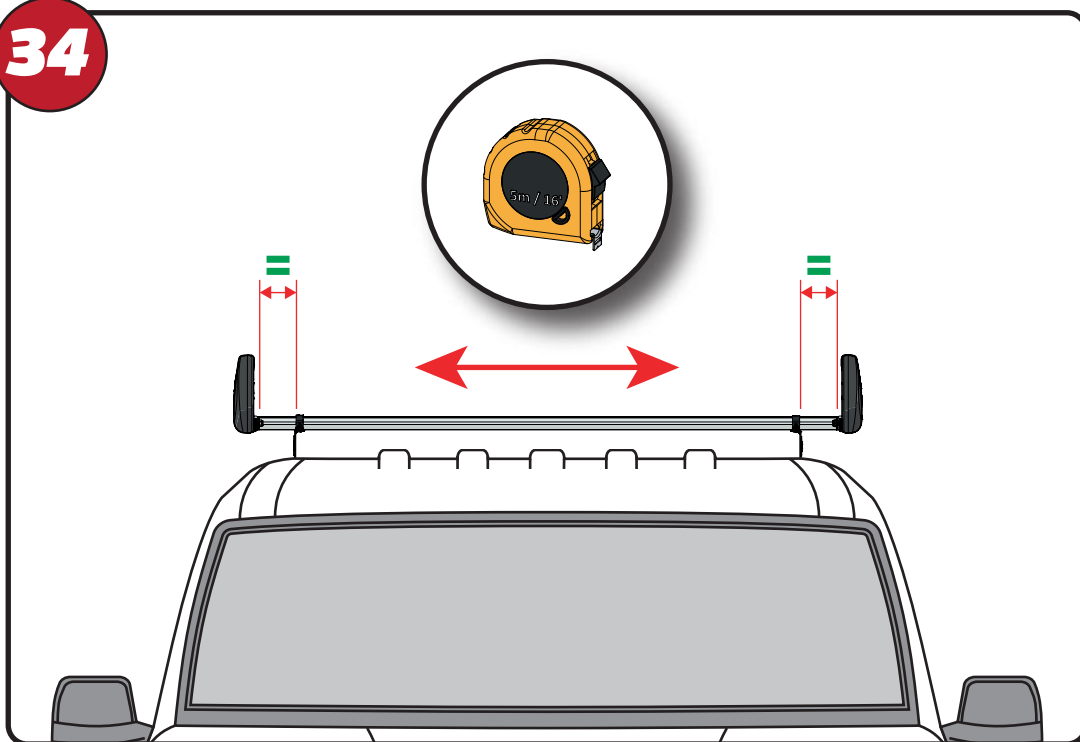
32



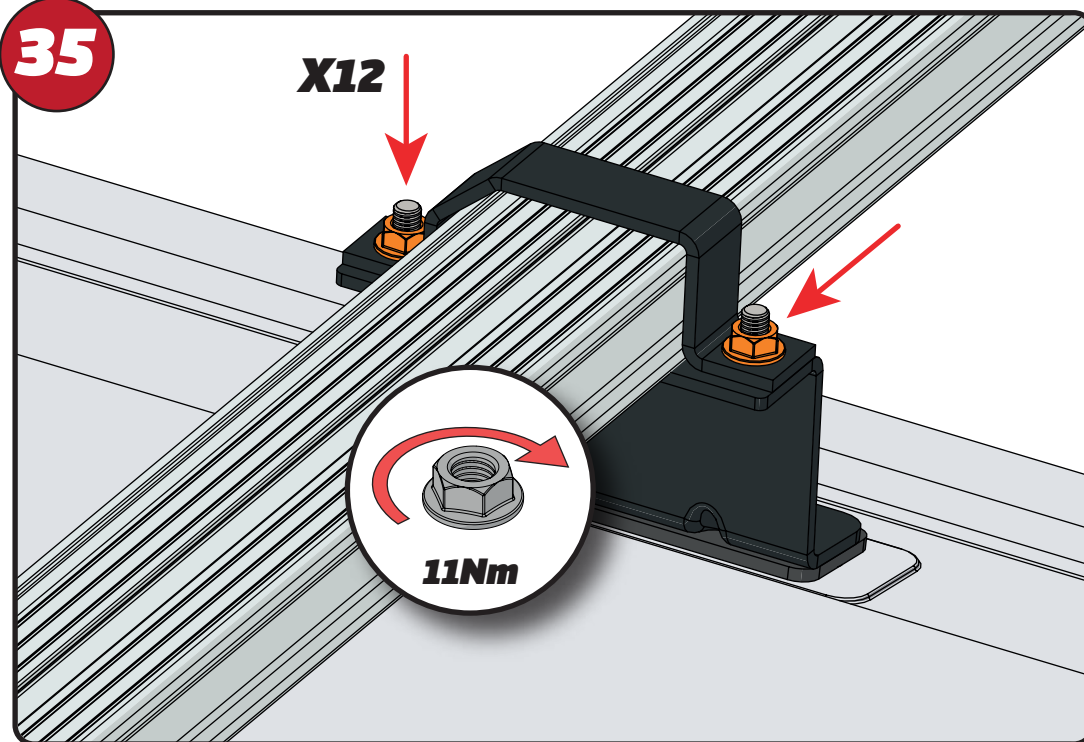
33



34



35

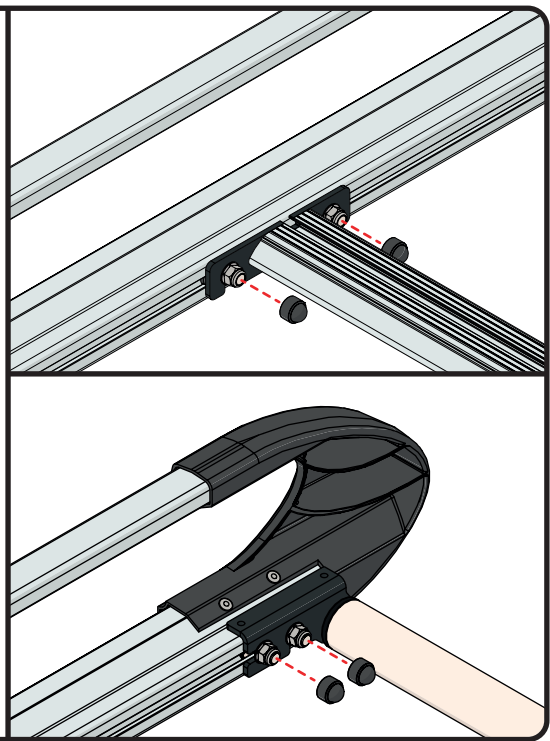


**36**



**FX4241**

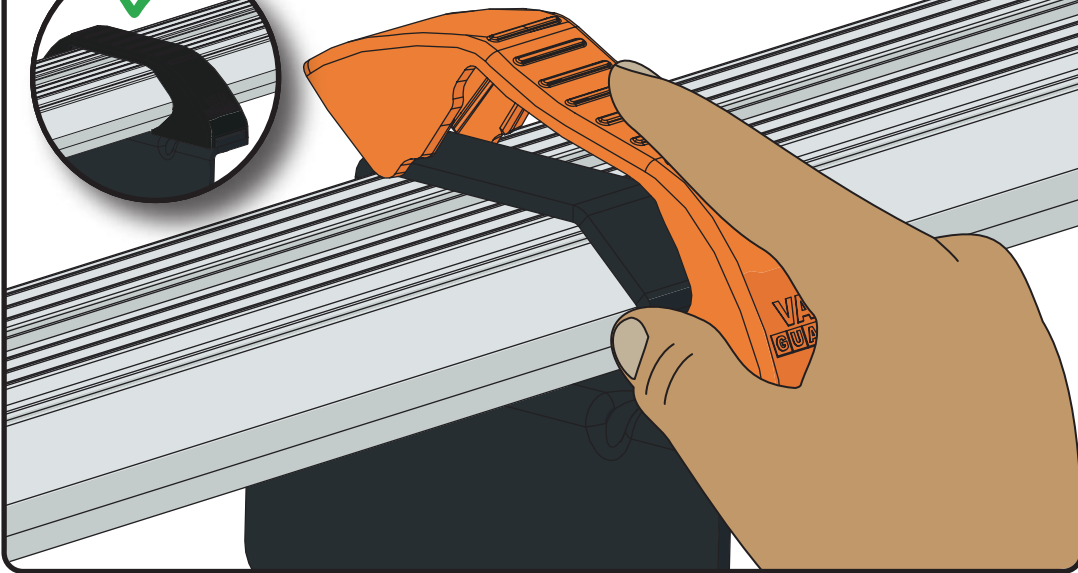
**X20**



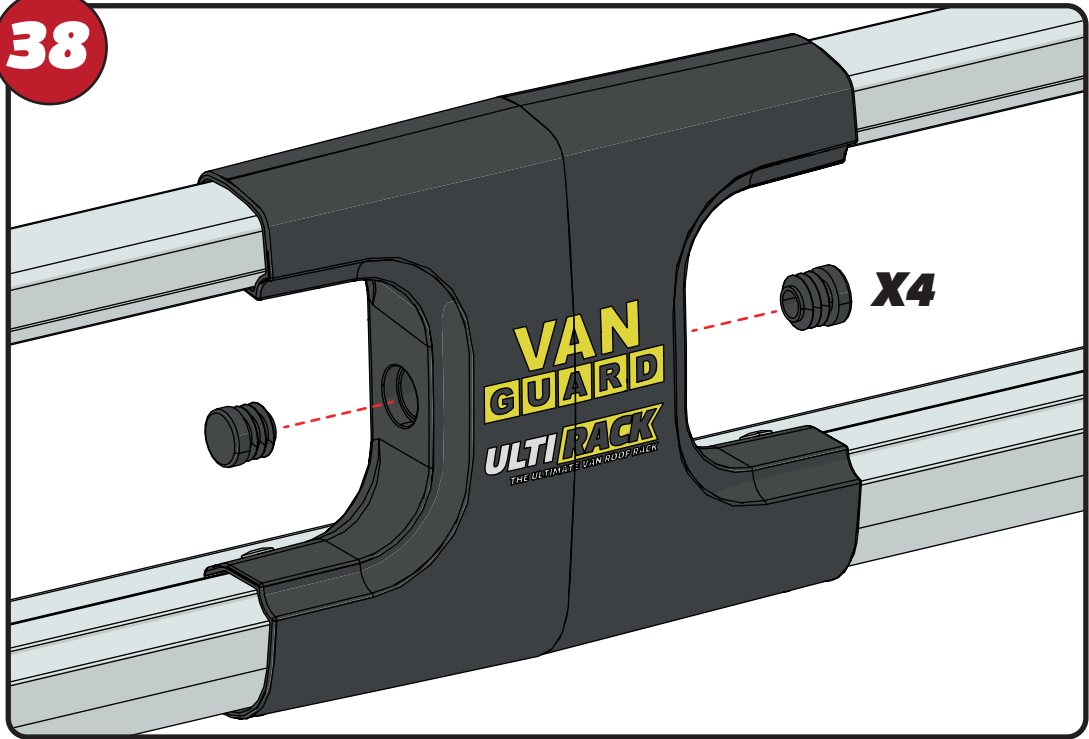
**37**



**X6**



**38**



**VAN  
GUARD  
ULTRARACK**  
THE ULTIMATE VAN ROOF RACK

**X4**

**39**

