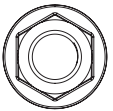
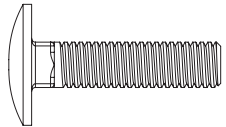
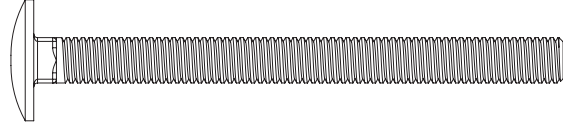



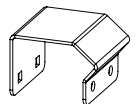



IN8225

ULTI Bars



FX4016 (M6) 	FX4022 (M6X25) 	FX4110 (M6X70) 	ME0008 
ME0491 	ME0492 	ME0716 	

	VG154-1	VG154-2	VG154-3	VG154-4
FX4016	X8	X16	X24	X32
FX4022	X4	X8	X12	X16
FX4110	X4	X8	X12	X16
ME0008	X2	X4	X6	X8
ME0491	X1	X2	X3	X4
ME0492	X1	X2	X3	X4
ME0716	X2	X4	X6	X8
AS3261	X1	X2	X3	X4

TOOLS REQUIRED



10MM X 1





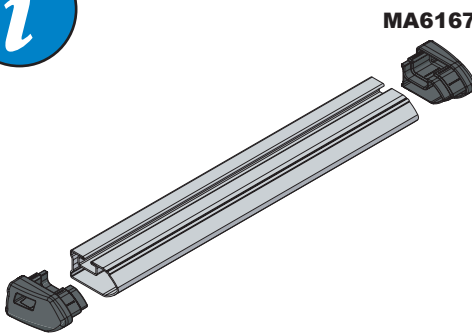
EN - SAFETY AND PRODUCT INFORMATION
 DE - SICHERHEITS- UND PRODUKTINFORMATIONEN
 FR - INFORMATIONS DE SÉCURITÉ ET DU PRODUIT
 NL - VEILIGHEIDS- EN PRODUCTINFORMATIE
 ES - INFORMACIÓN DE SEGURIDAD Y DEL PRODUCTO
 IT - INFORMAZIONI SULLA SICUREZZA E SUL PRODOTTO

SV - SÄKERHETS- OCH PRODUKTINFORMATION
 DA - SIKKERHEDS- OG PRODUKTINFORMATION
 NO - SIKKERHETS- OG PRODUKTINFORMASJON
 PL - INFORMACJE O BEZPIECZENSTWIE I PRODUKCIE
 CS - INFORMACE O BEZPEČNOSTI A PRODUKTU



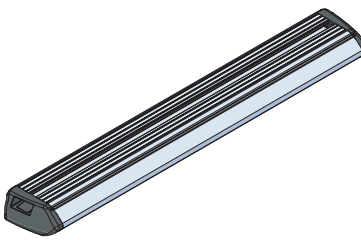
Customercare@van-guard.co.uk
UK +44 (0) 1392 368 351





MA6166

ULTI Bar Trade
(Steel)



MA6167

ULTI Bar+
(Aluminium)

VG154

Vehicle:

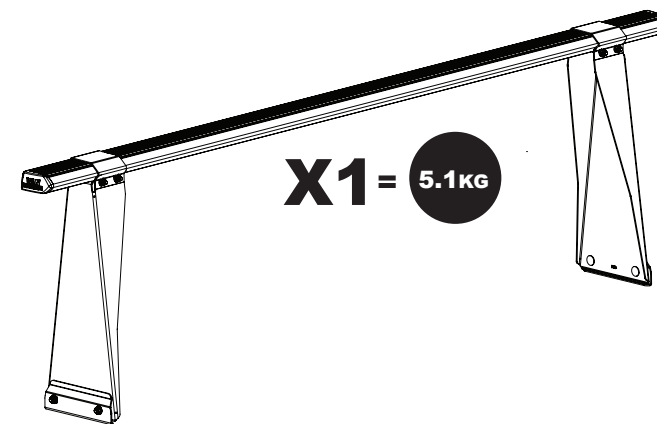
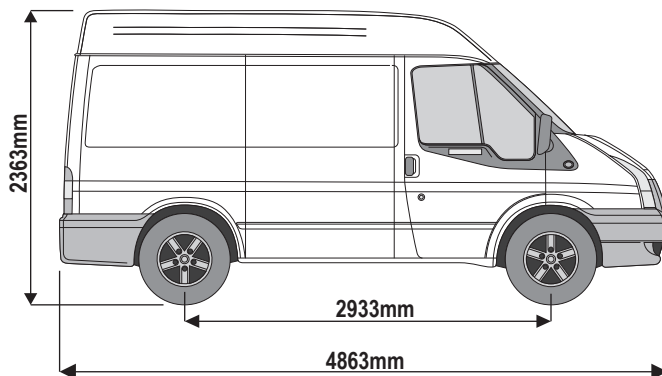
Ford Transit: 2000 - 2014

Wheel Base: SWB (L1)

Roof Height: Medium* (H2)

Rear Doors: Twin / Tailgate

*Sometimes called high roof



VG154

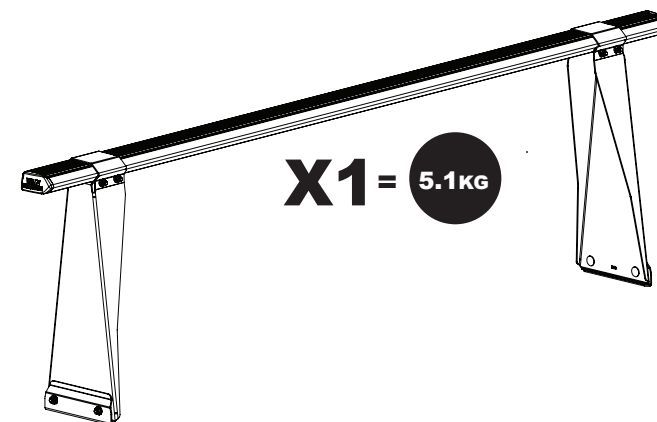
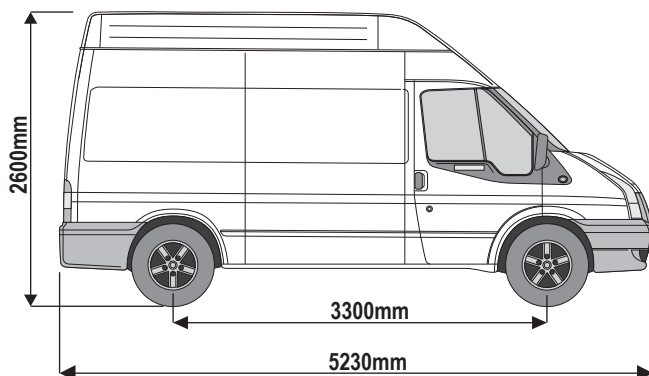
Vehicle:

Ford Transit: 2000 - 2014

Wheel Base: MWB (L2)

Roof Height: High (H3)

Rear Doors: Twin / Tailgate



VG154

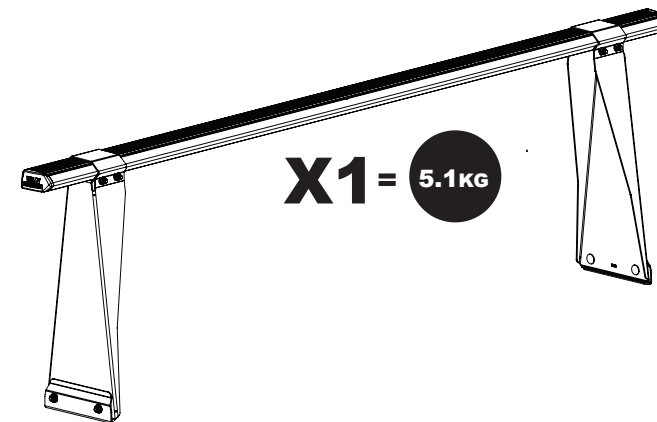
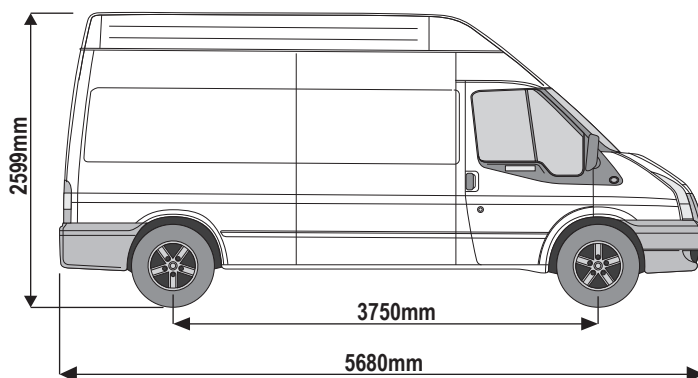
Vehicle:

Ford Transit: 2000 - 2014

Wheel Base: LWB (L3)

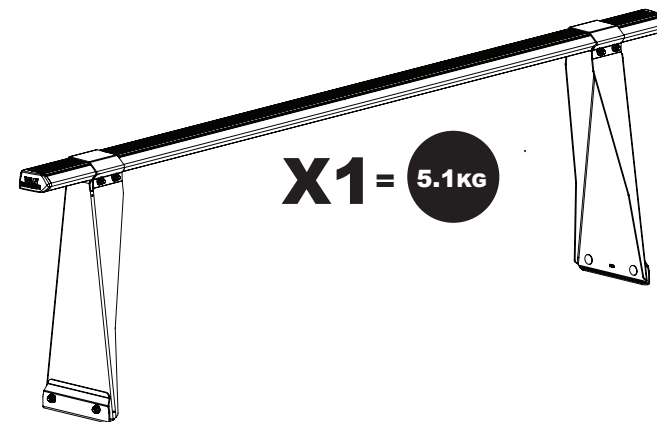
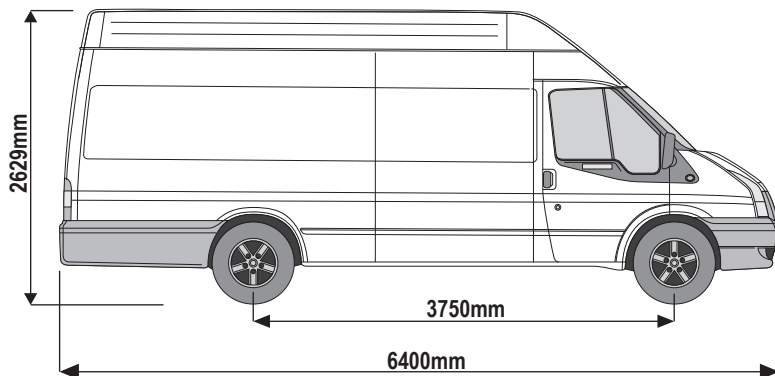
Roof Height: High (H3)

Rear Doors: Twin / Tailgate



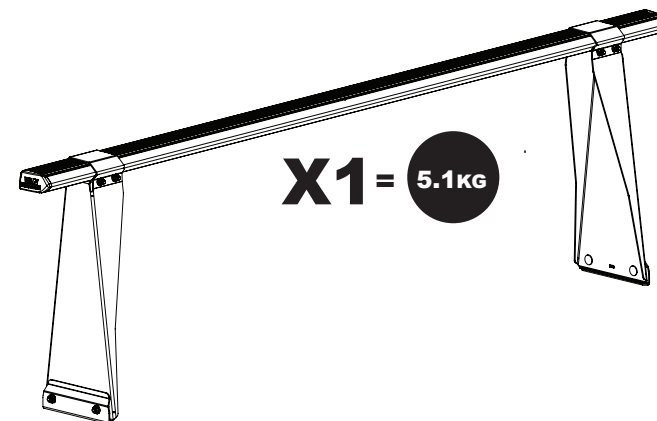
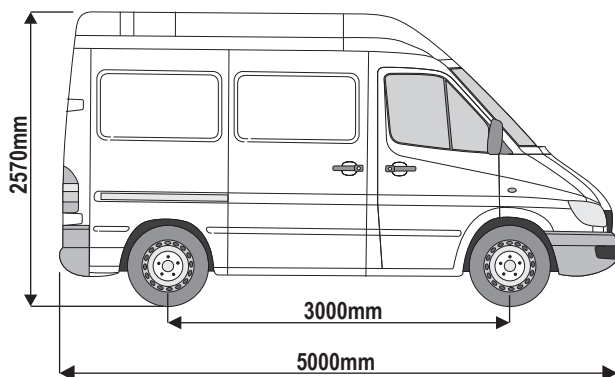
VG154

Vehicle:
 Ford Transit: 2000 - 2014
Wheel Base: ELWB (L4)
Roof Height: High (H3)
Rear Doors: Twin / Tailgate



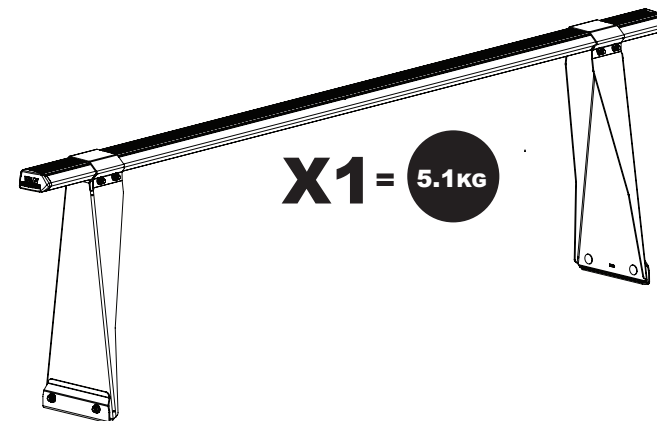
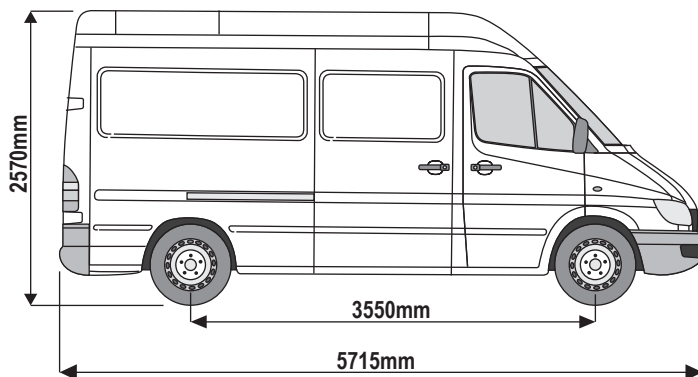
VG154

Vehicle:
 Mercedes Sprinter: 2000 - 2006
 Volkswagen LT: 1996 - 2006
Wheel Base: SWB (L1)
Roof Height: High (H2)
Rear Doors: Twin / Tailgate



VG154

Vehicle:
 Mercedes Sprinter: 2000 - 2006
 Volkswagen LT: 1996 - 2006
Wheel Base: MWB (L2)
Roof Height: High (H2)
Rear Doors: Twin / Tailgate



VG154

Vehicle:

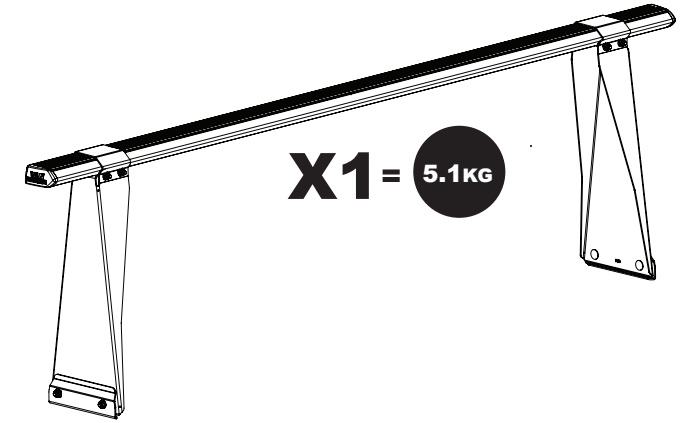
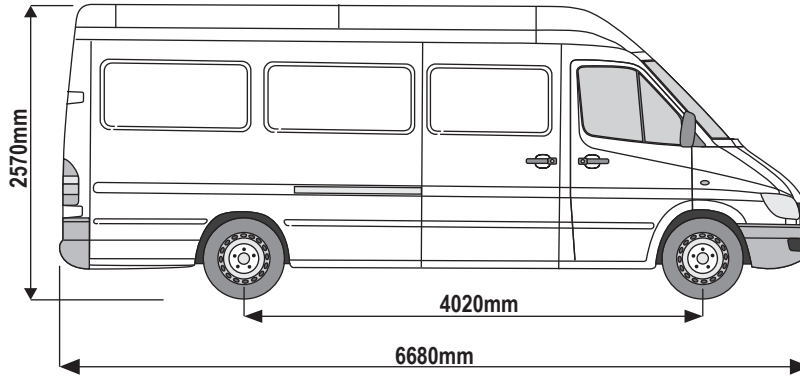
Mercedes Sprinter: 2000 - 2006

Volkswagen LT: 1996 - 2006

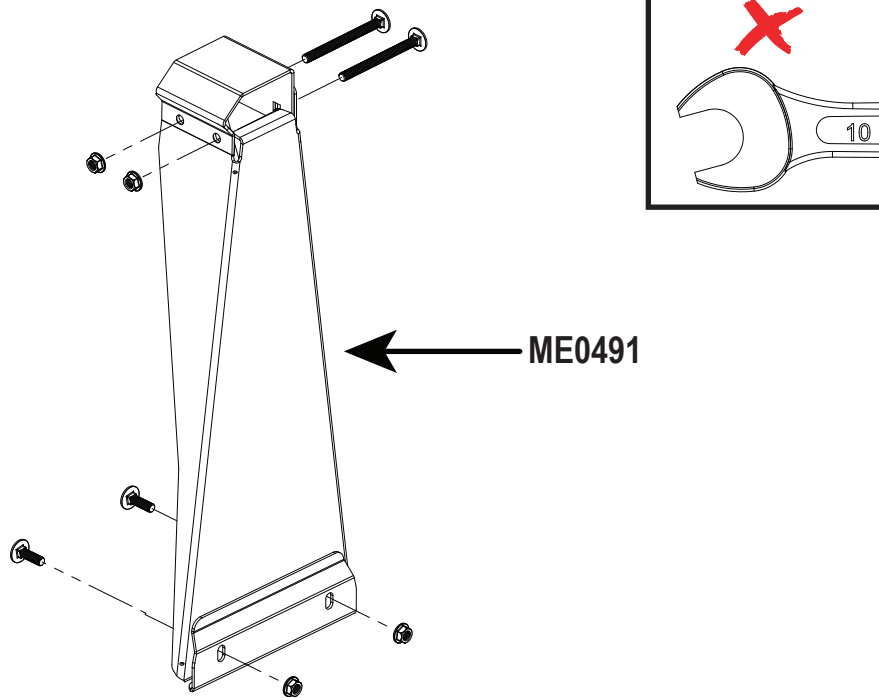
Wheel Base: LWB (L3)

Roof Height: High (H2)

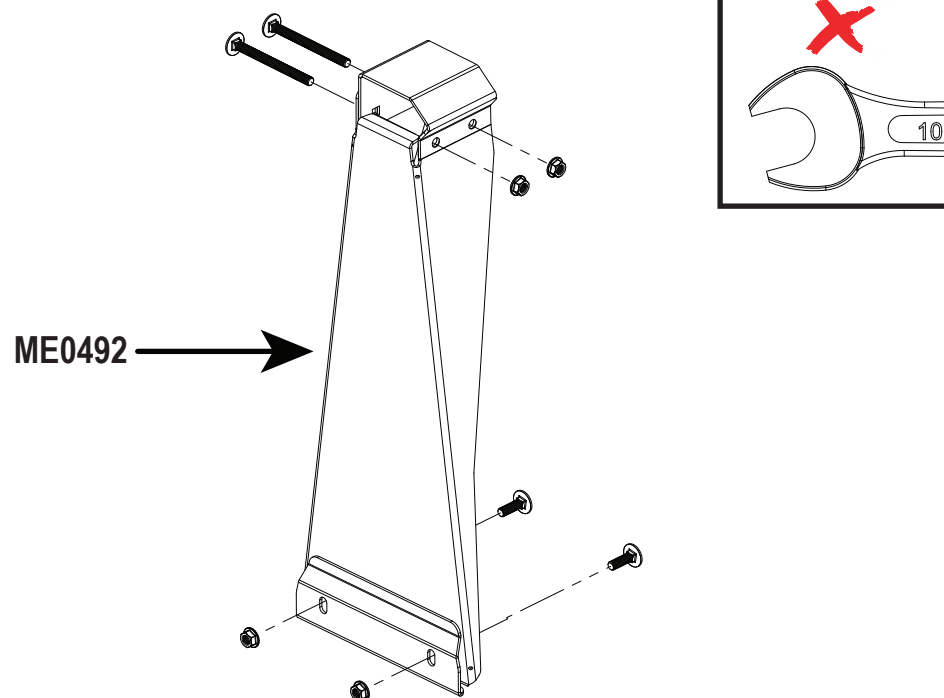
Rear Doors: Twin / Tailgate



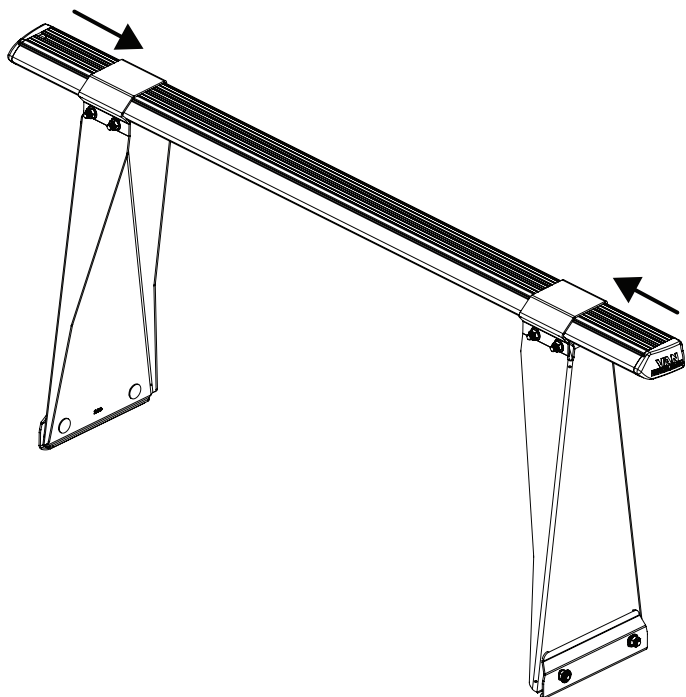
1



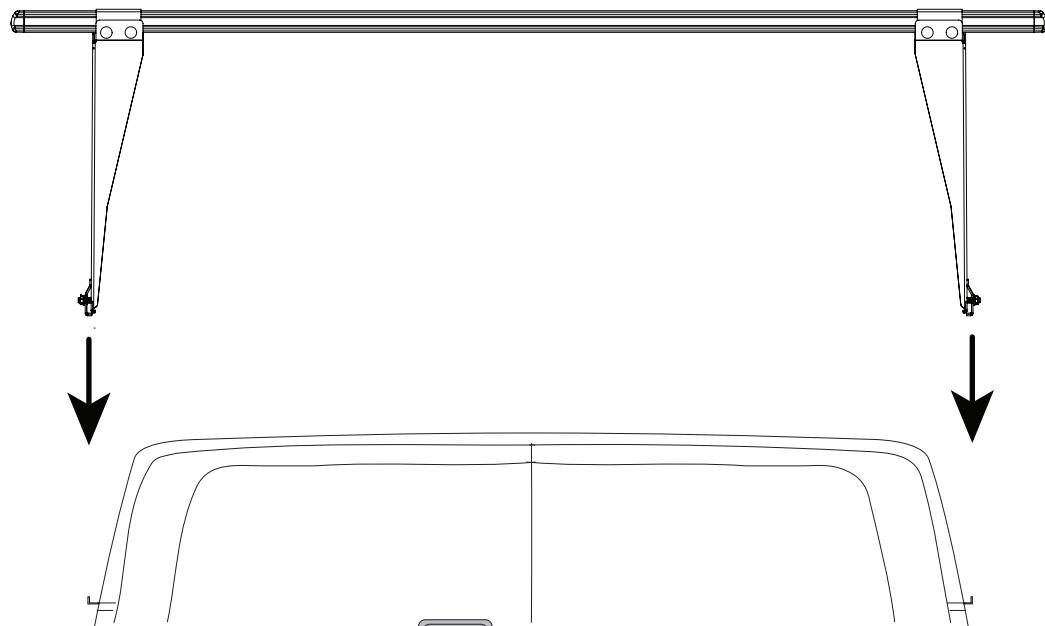
2

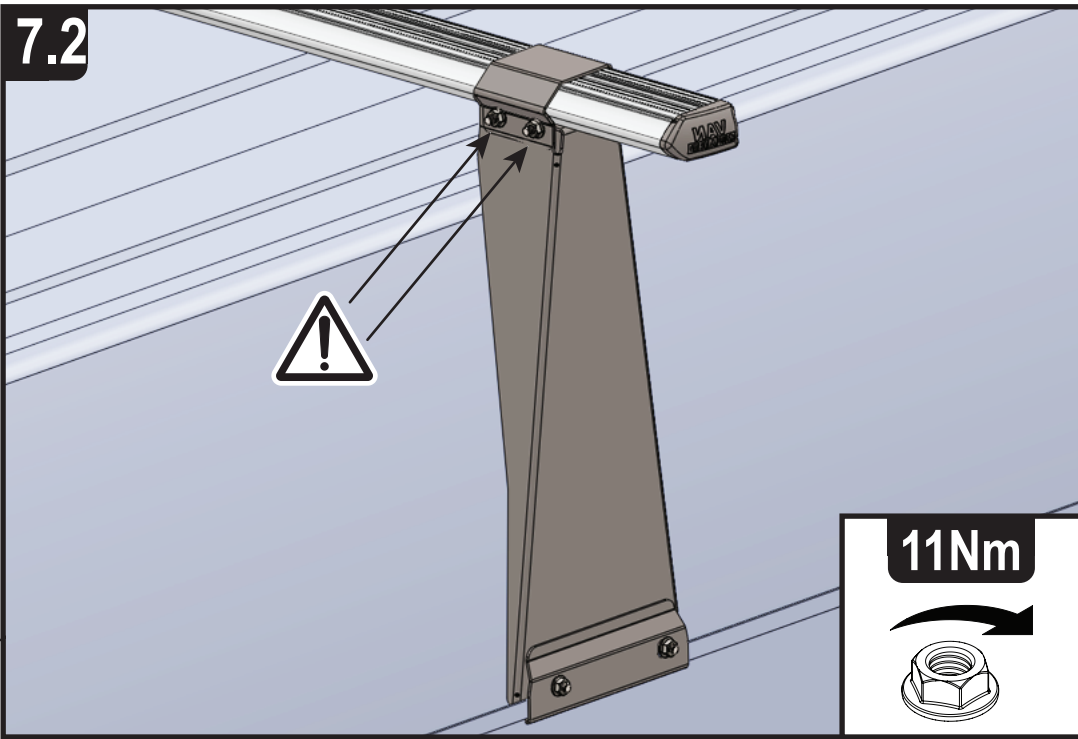
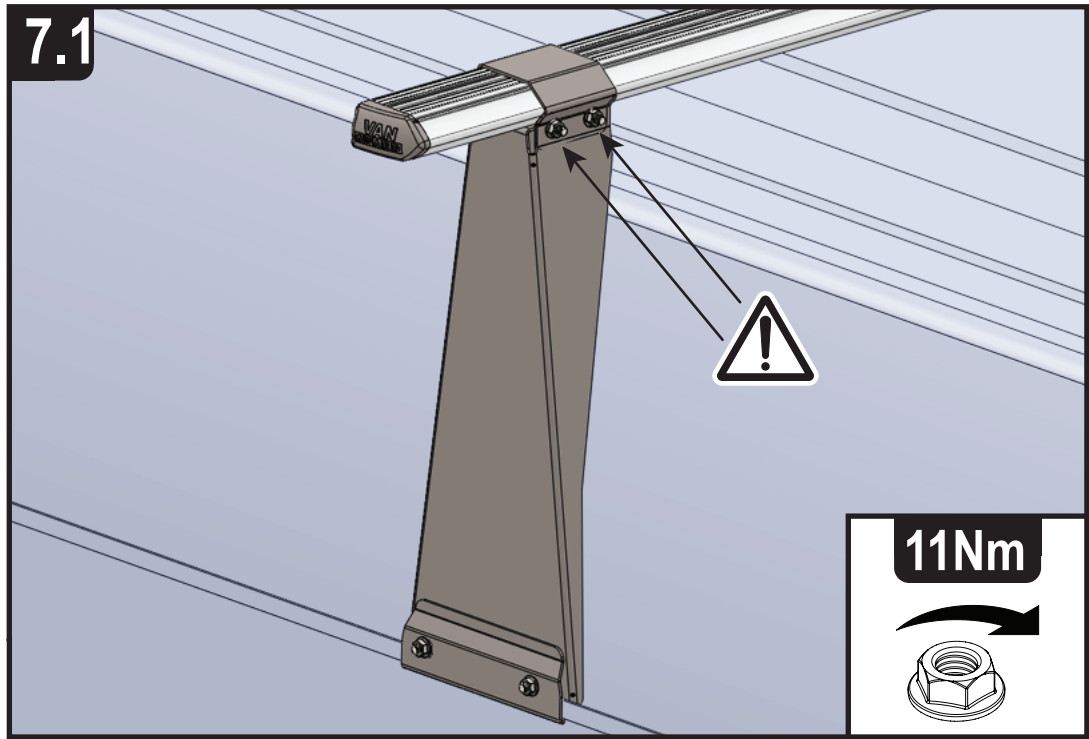
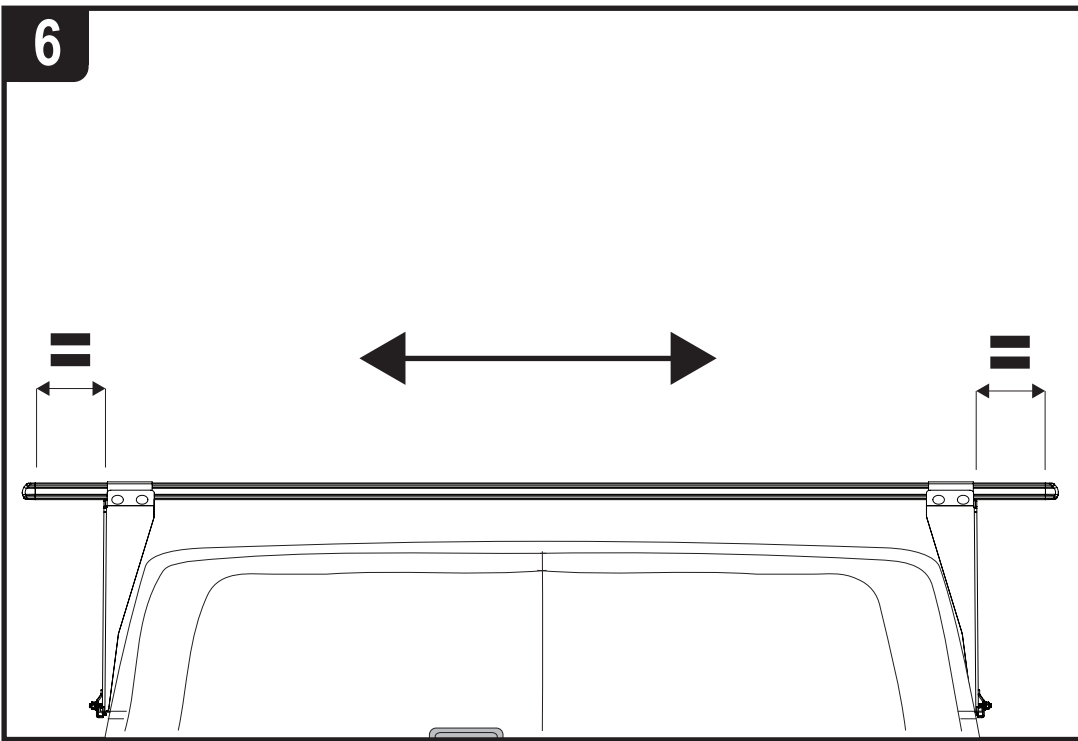
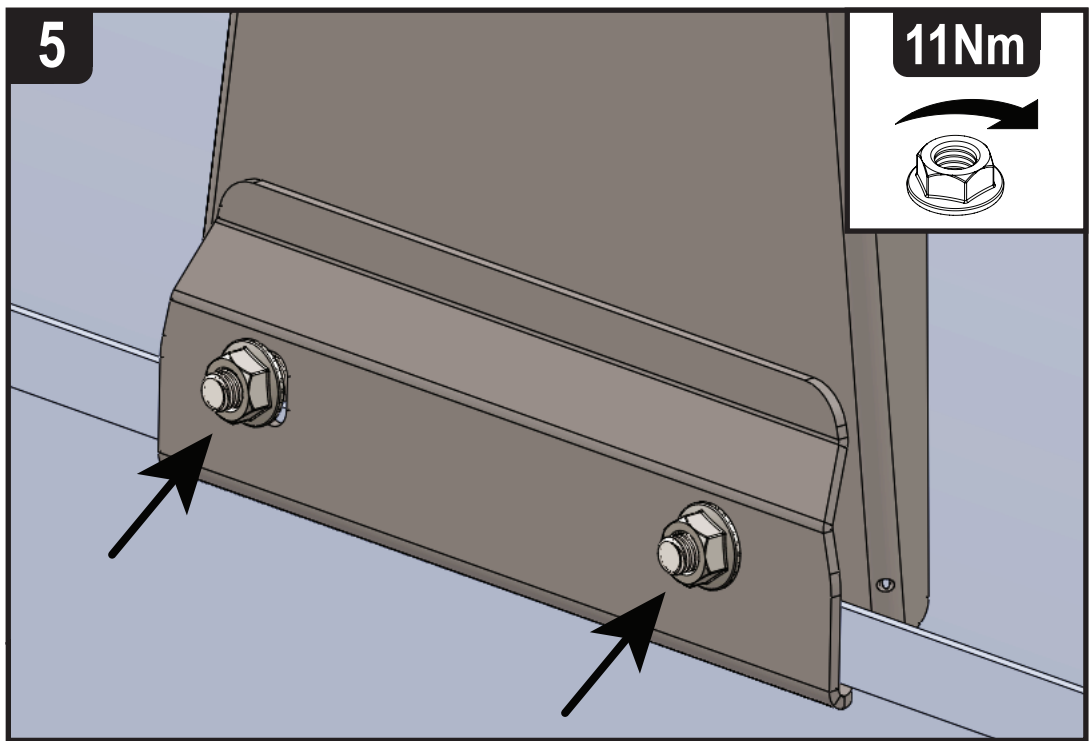


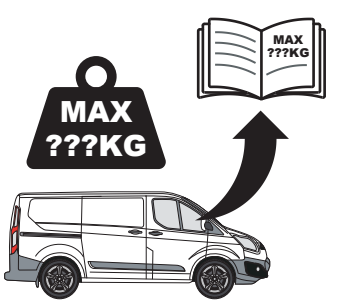
3



4







ULTI Bar Trade
(Steel)

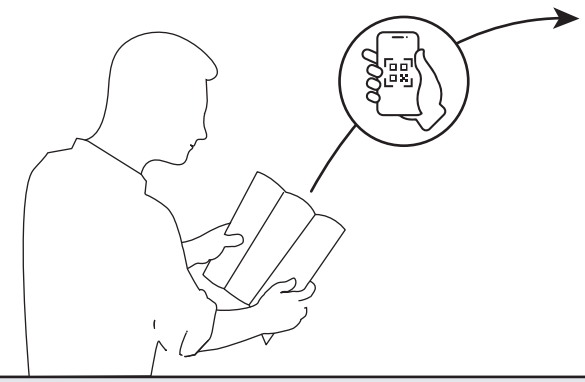
MAX 60KG

X1

ULTI Bar+
(Aluminium)

MAX 80KG

X1



EN - SAFETY AND PRODUCT INFORMATION
DE - SICHERHEITS- UND PRODUKTINFORMATIONEN
FR - INFORMATIONS DE SÉCURITÉ ET DU PRODUIT
NL - VEILIGHEIDS- EN PRODUCTINFORMATIE
ES - INFORMACIÓN DE SEGURIDAD Y DEL PRODUCTO
IT - INFORMAZIONI SULLA SICUREZZA E SUL PRODOTTO

SV - SÄKERHETS- OCH PRODUKTINFORMATION
DA - SIKKERHEDS- OG PRODUKTINFORMATION
NO - SIKKERHETS- OG PRODUKTINFORMASJON
PL - INFORMACJE O BEZPIECZENSTWIE I PRODUKCIE
CS - INFORMACE O BEZPEČNOSTI A PRODUKTU