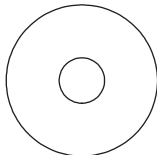
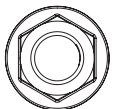
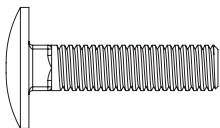
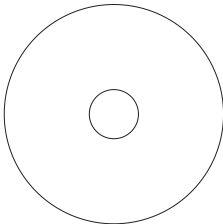
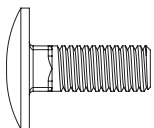

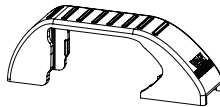
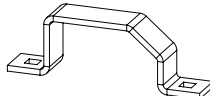
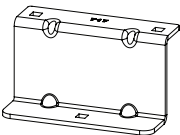
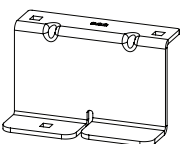
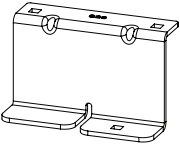
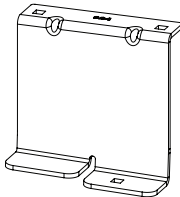
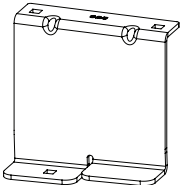
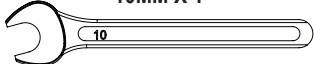


IN8229

ULTI Bars - X3

<p>FX4014 X6 (RUBBER)</p> 	<p>FX4016 X18 (M6)</p> 	<p>FX4022 X6 (M6X25)</p> 	<p>FX4023 X6</p> 	<p>FX4042 X12 (M6X16)</p> 	<p>MA6091 X6</p> 	<p>MA6065 X6</p> 	<p>ME0203 X6</p> 
<p>ME0717 X2</p> 	<p>ME0922 X1</p> 	<p>ME0923 X1</p> 	<p>ME0924 X1</p> 	<p>ME0925 X1</p> 			

TOOLS REQUIRED



10MM X 1


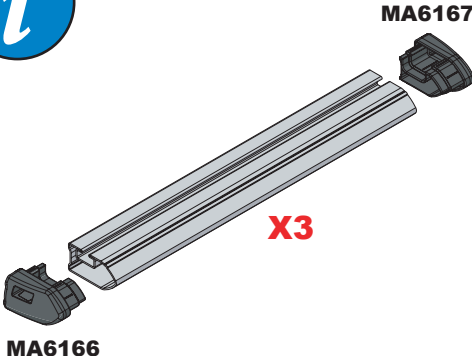



EN - SAFETY AND PRODUCT INFORMATION
 DE - SICHERHEITS- UND PRODUKTINFORMATIONEN
 FR - INFORMATIONS DE SÉCURITÉ ET DU PRODUIT
 NL - VEILIGHEIDS- EN PRODUCTINFORMATIE
 ES - INFORMACIÓN DE SEGURIDAD Y DEL PRODUCTO
 IT - INFORMAZIONI SULLA SICUREZZA E SUL PRODOTTO

SV - SÄKERHETS- OCH PRODUKTINFORMATION
 DA - SIKKERHEDS- OG PRODUKTINFORMATION
 NO - SIKKERHETS- OG PRODUKTINFORMASJON
 PL - INFORMACJE O BEZPIECZENSTWIE I PRODUKCIE
 CS - INFORMACE O BEZPEČNOSTI A PRODUKTU

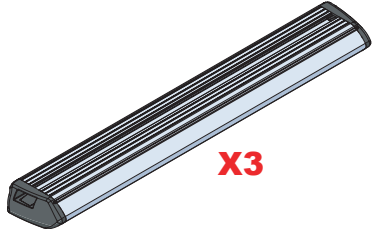


Customercare@van-guard.co.uk
UK +44 (0) 1392 368 351

MA6167
X3
 MA6166

ULTI Bar Trade
(Steel)

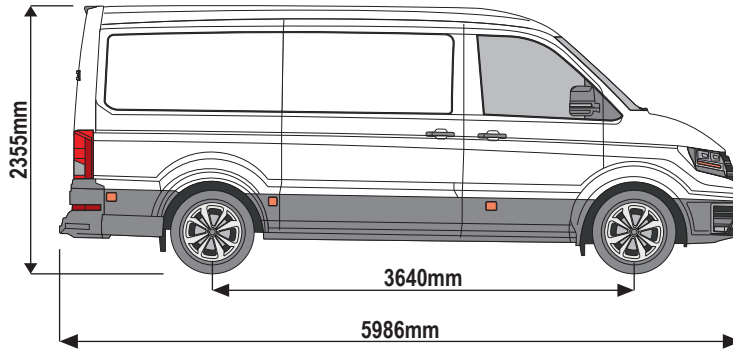


X3

ULTI Bar+
(Aluminium)

336-3

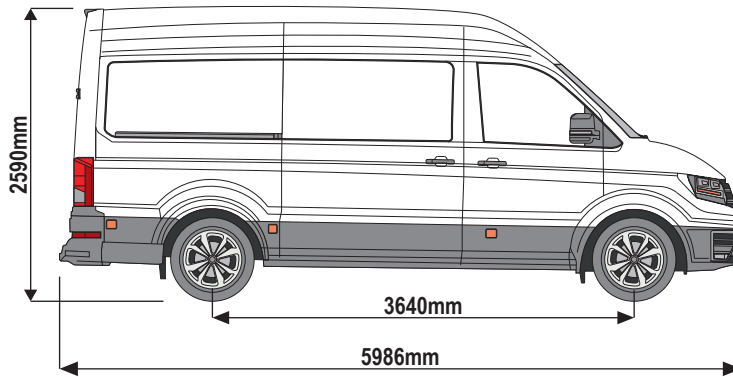
Vehicle:
Volkswagen Crafter: 2017 on
MAN TGE: 2017 on
Wheel Base:
Medium (L3)
Standard (L3)
Roof Height:
Normal (H2)
Rear Doors: Twin



ULTI Bar Trade (Steel) =	13KG
ULTI Bar+ (Aluminium) =	8.4KG

336-3

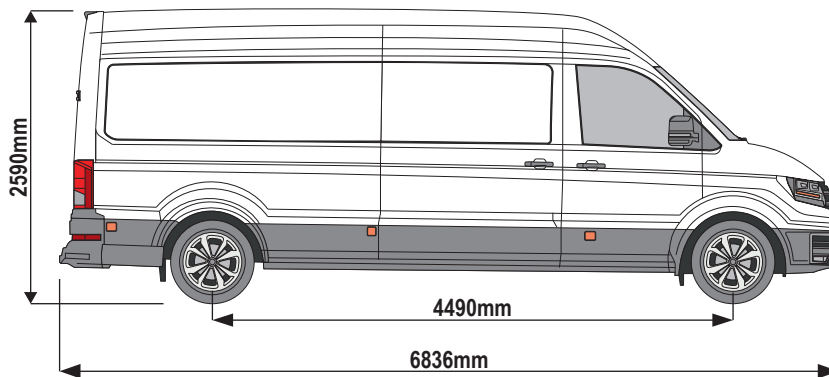
Vehicle:
Volkswagen Crafter: 2017 on
MAN TGE: 2017 on
Wheel Base:
Medium (L3)
Standard (L3)
Roof Height:
High (H3)
Rear Doors: Twin



ULTI Bar Trade (Steel) =	13KG
ULTI Bar+ (Aluminium) =	8.4KG

336-3

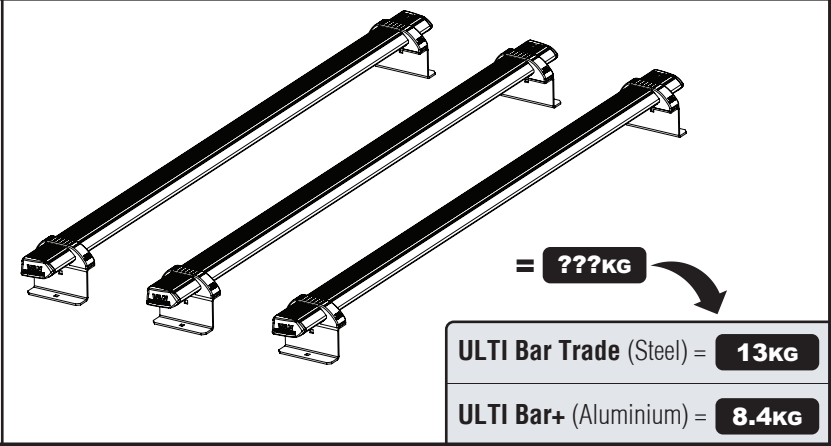
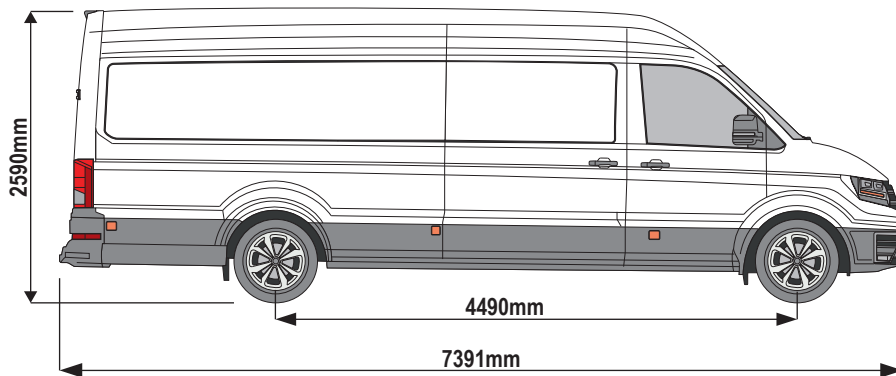
Vehicle:
Volkswagen Crafter: 2017 on
MAN TGE: 2017 on
Wheel Base:
Long (L4)
Roof Height:
High (H3)
Rear Doors: Twin



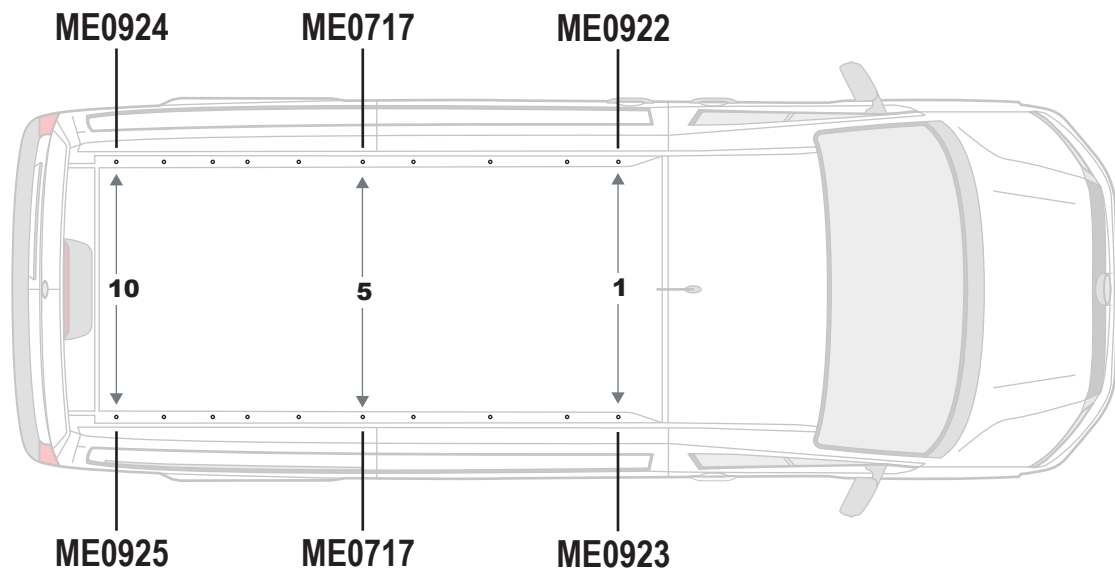
ULTI Bar Trade (Steel) =	13KG
ULTI Bar+ (Aluminium) =	8.4KG

336-3

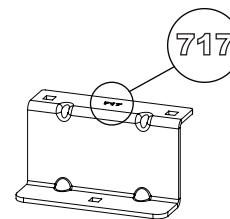
Vehicle:
 Volkswagen Crafter: 2017 on
 MAN TGE: 2017 on
Wheel Base:
 Long plus (L5)
 Extra long (L5)
Roof Height:
 High (H3)
Rear Doors: Twin



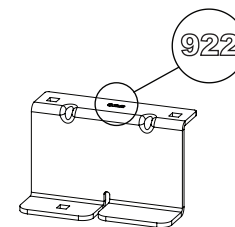
The following page is for L3H2 / L3H3 models only (models with 10 fixing points on the roof).
Please see page 5 for L4H3 models & page 6 for L5H3 models.



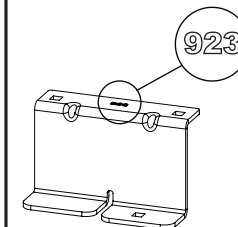
ME0717



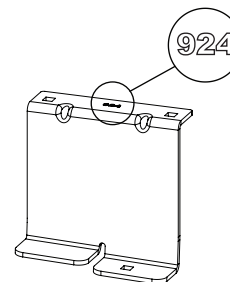
ME0922



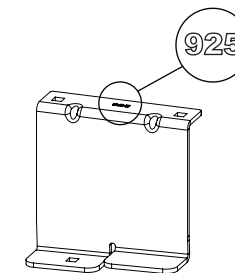
ME0923



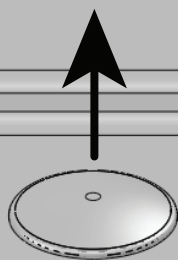
ME0924



ME0925



1



ROOF PLUG MAY BE SEALED BY PAINT
THIS SEAL WILL NEED TO BE BROKEN
TO REMOVE THE ROOF PLUG



10

9

8

7

6

5

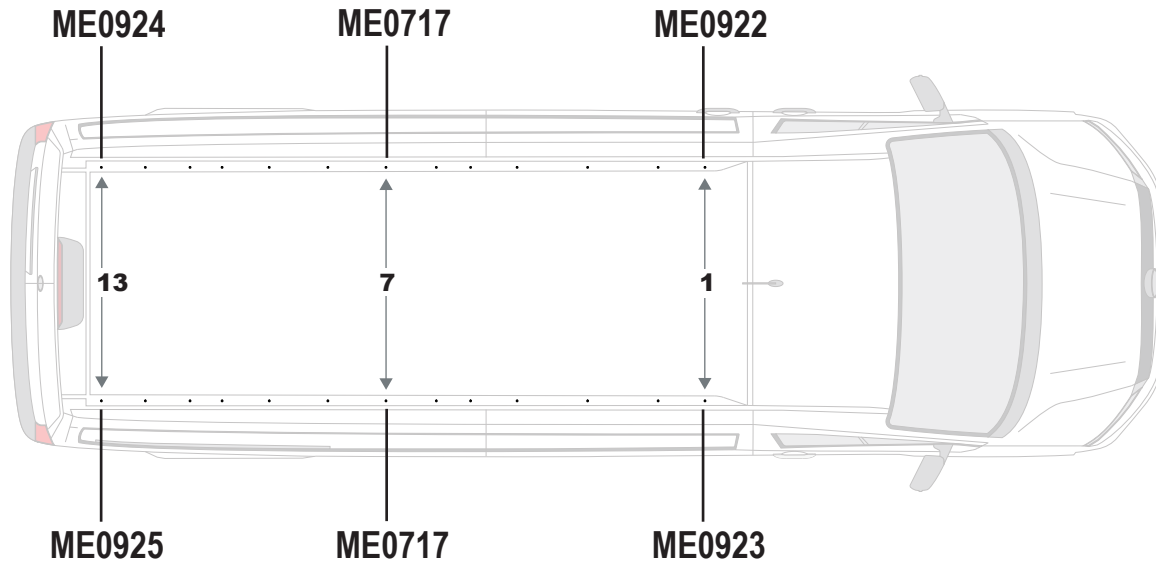
4

3

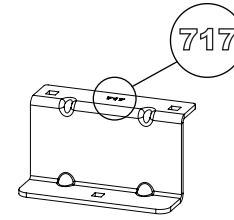
2

1

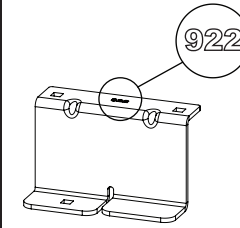
The following page is for L4H3 models only (models with 13 fixing points on the roof).
Please see page 4 for L3H2 / L3H3 models & page 6 for L5H3 models.



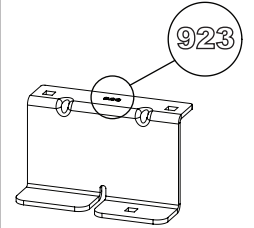
ME0717



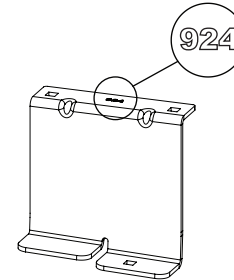
ME0922



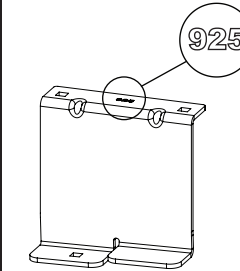
ME0923



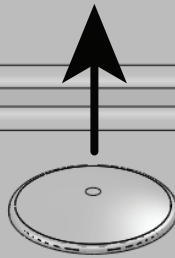
ME0924



ME0925



1

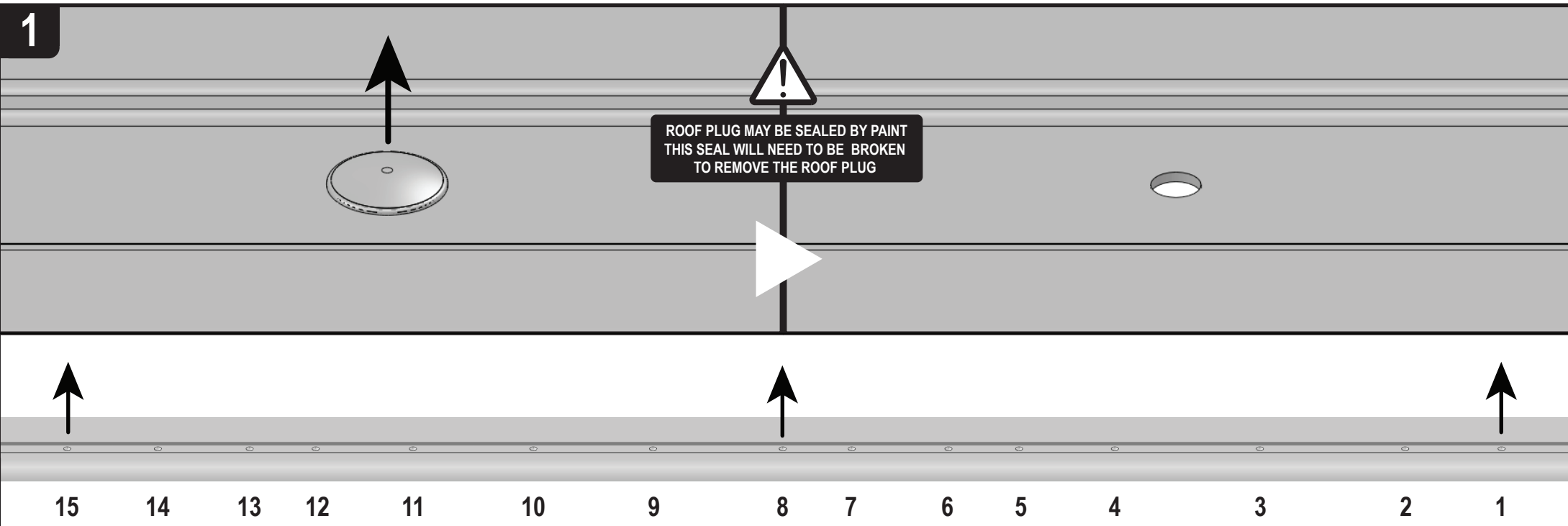
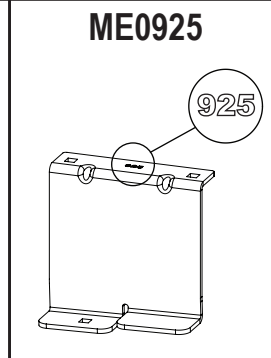
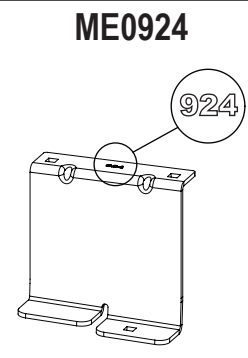
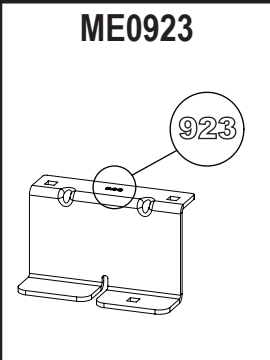
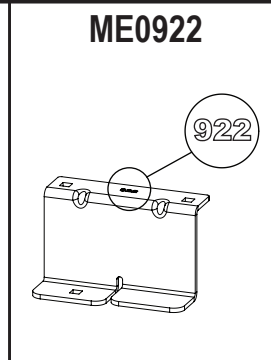
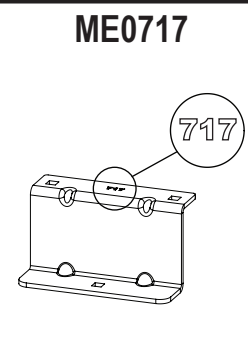
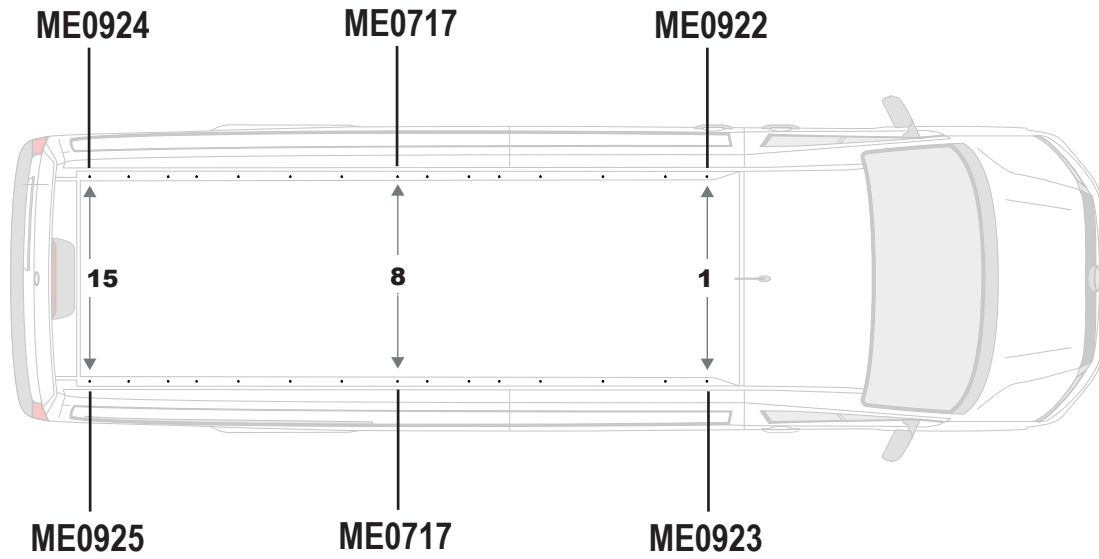


ROOF PLUG MAY BE SEALED BY PAINT
THIS SEAL WILL NEED TO BE BROKEN
TO REMOVE THE ROOF PLUG

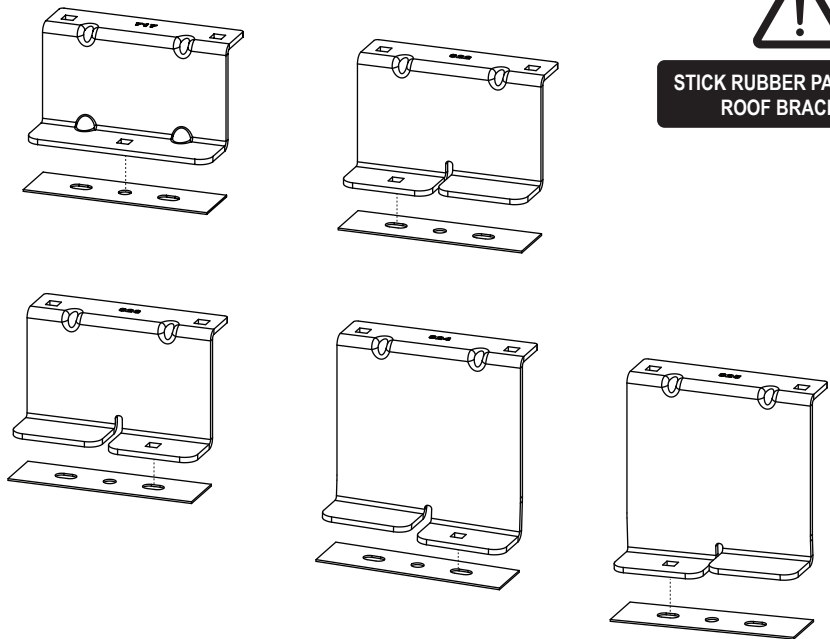


13 12 11 10 9 8 7 6 5 4 3 2 1

The following page is for L5H3 models only (models with 15 fixing points on the roof).
Please see page 4 for L3H2 / L3H3 models & page 5 for L4H3 models.



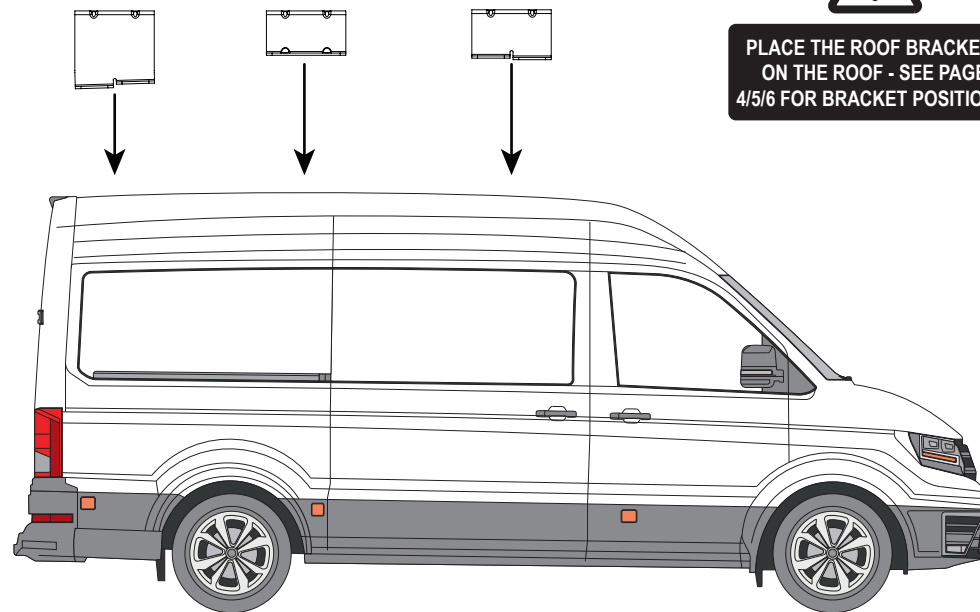
2



STICK RUBBER PADS TO ALL ROOF BRACKETS



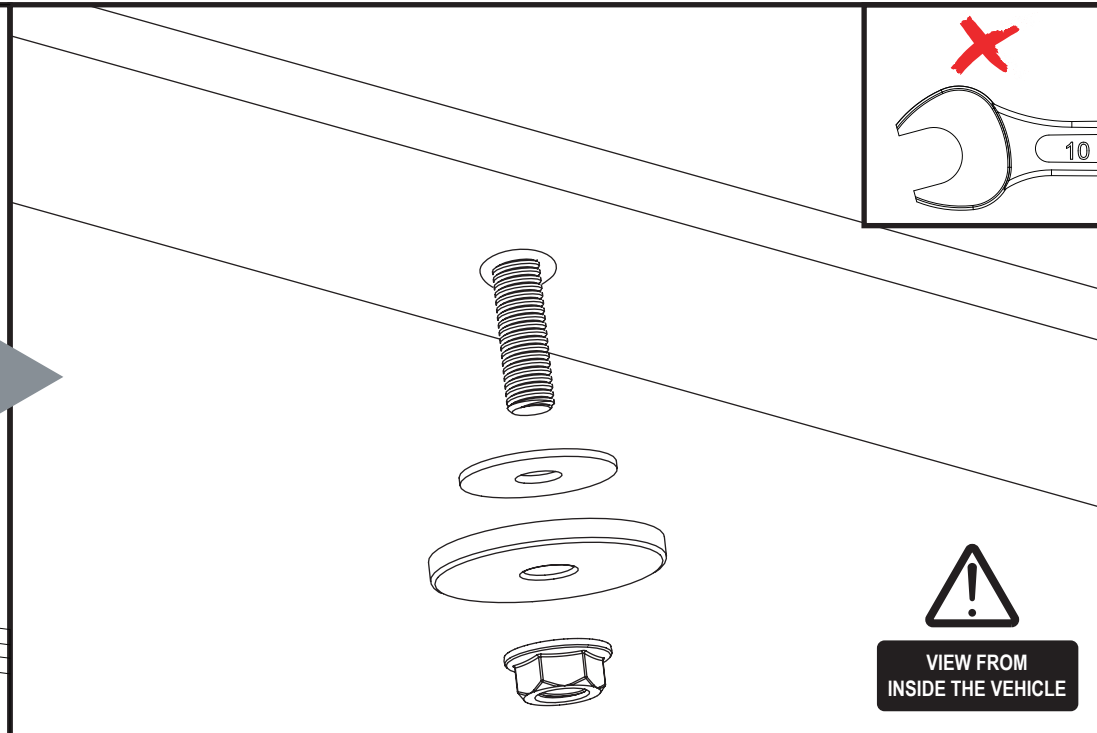
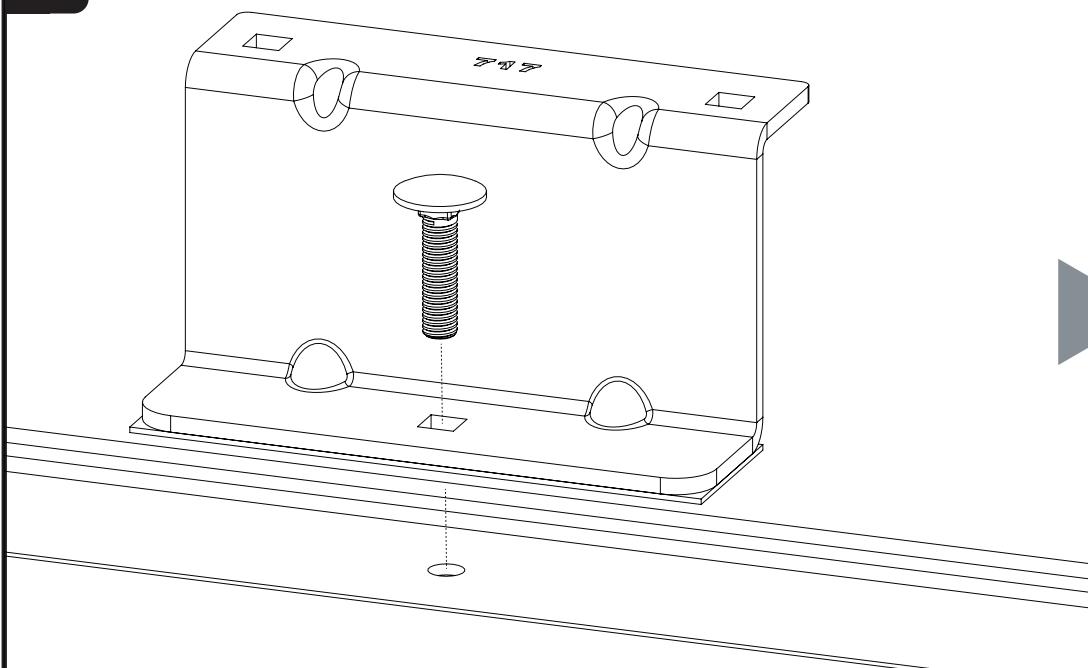
3.1



PLACE THE ROOF BRACKETS ON THE ROOF - SEE PAGE 4/5/6 FOR BRACKET POSITIONS



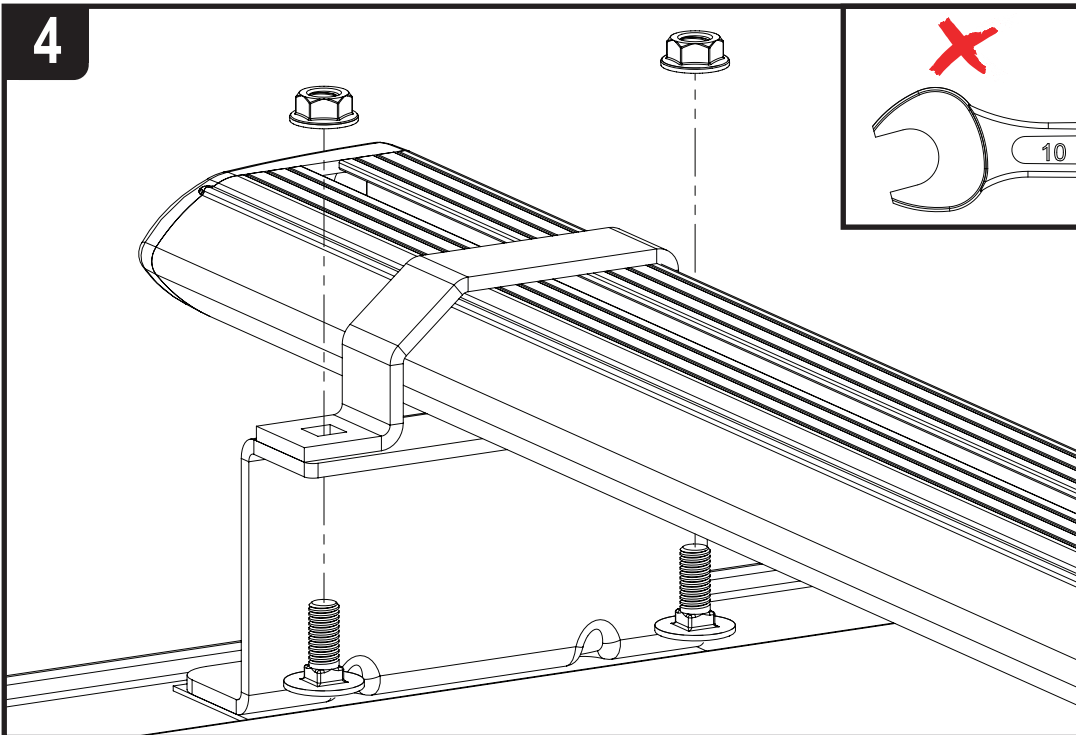
3.2



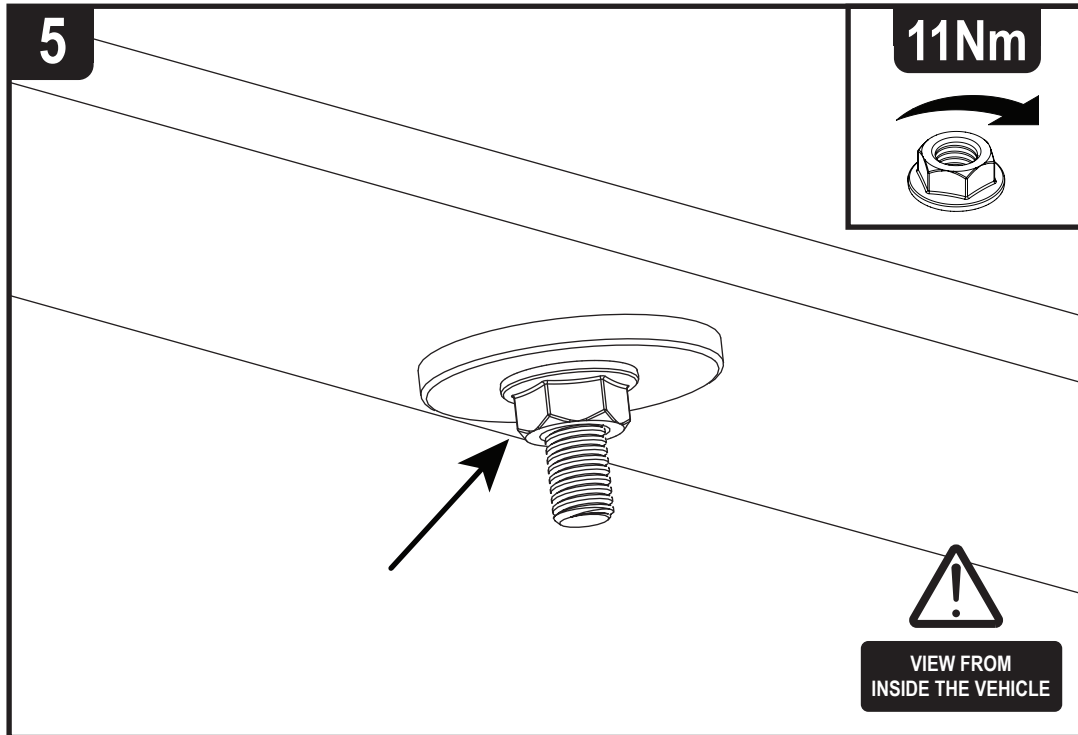
VIEW FROM INSIDE THE VEHICLE



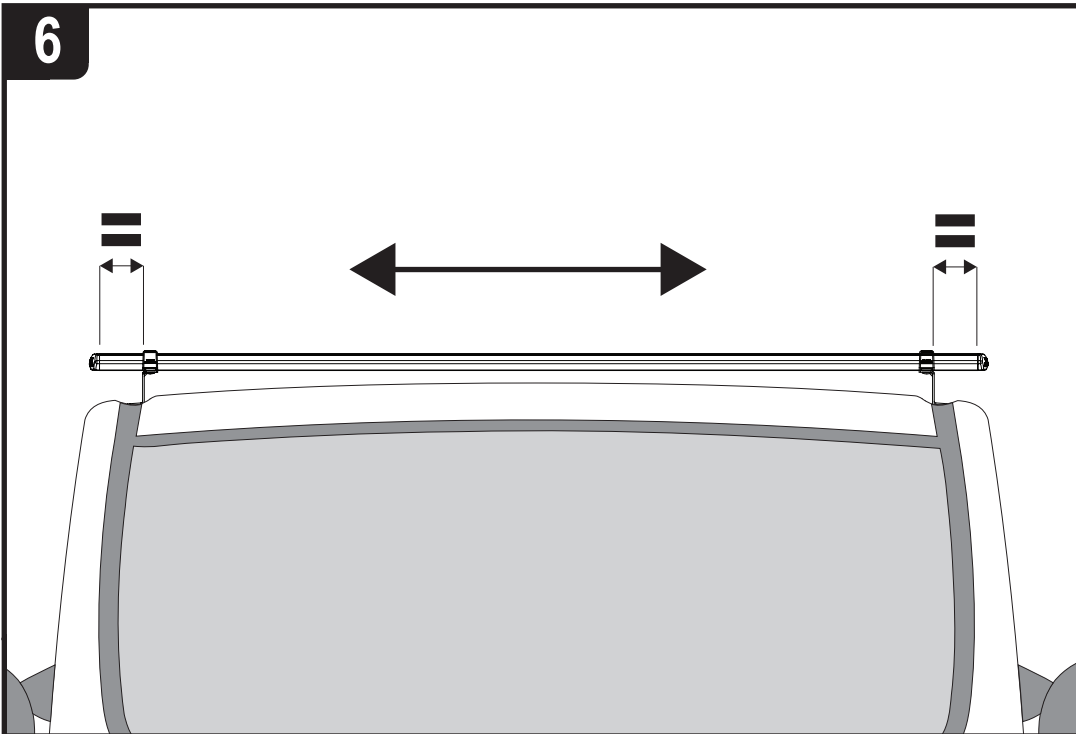
4



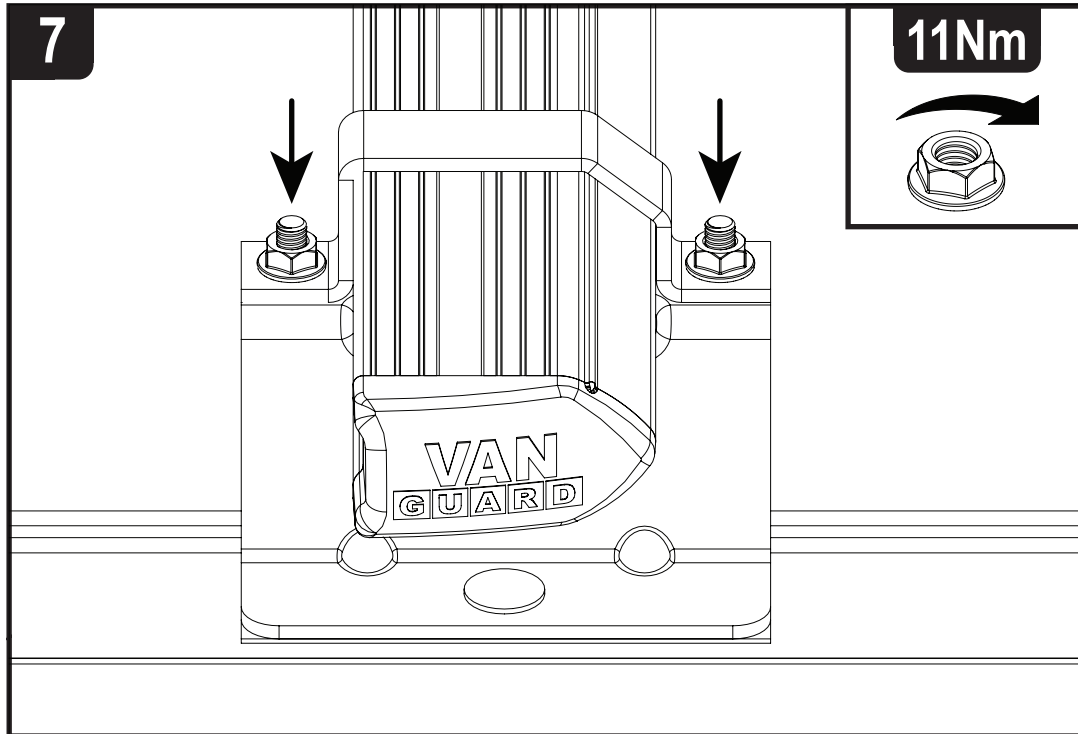
5



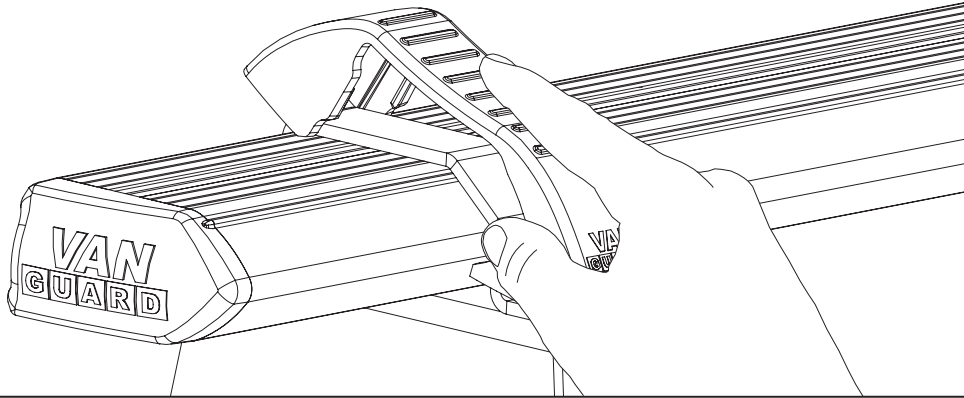
6



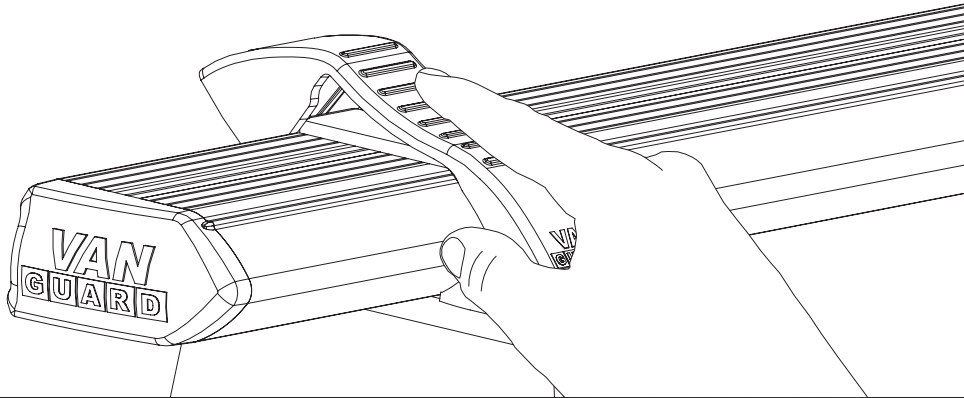
7



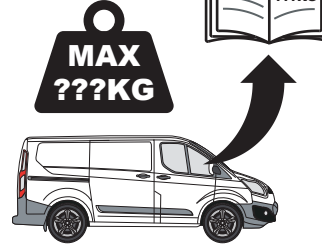
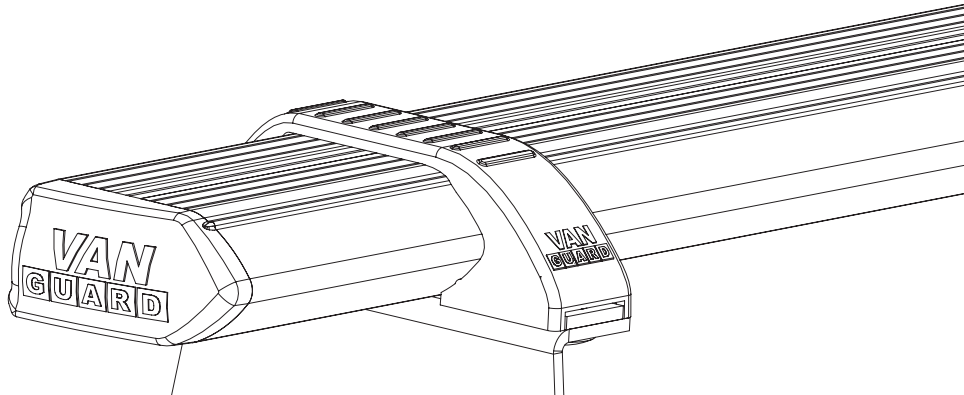
1.



2.



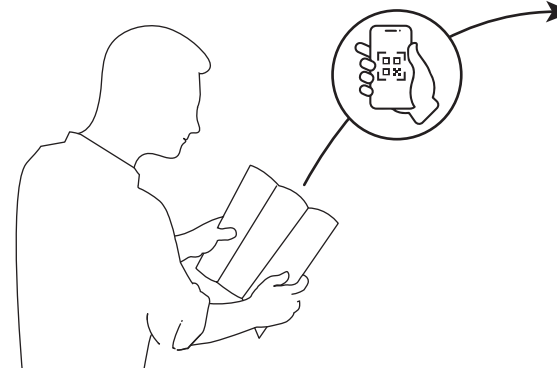
3.



ULTI Bar Trade
(Steel)



ULTI Bar+
(Aluminium)



EN - SAFETY AND PRODUCT INFORMATION
 DE - SICHERHEITS- UND PRODUKTINFORMATIONEN
 FR - INFORMATIONS DE SÉCURITÉ ET DU PRODUIT
 NL - VEILIGHEIDS- EN PRODUCTINFORMATIE
 ES - INFORMACIÓN DE SEGURIDAD Y DEL PRODUCTO
 IT - INFORMAZIONI SULLA SICUREZZA E SUL PRODOTTO

SV - SÄKERHETS- OCH PRODUKTINFORMATION
 DA - SIKKERHEDS- OG PRODUKTINFORMATION
 NO - SIKKERHETS- OG PRODUKTINFORMASJON
 PL - INFORMACJE O BEZPIECZENSTWIE I PRODUKCJE
 CS - INFORMACE O BEZPEČNOSTI A PRODUKTU