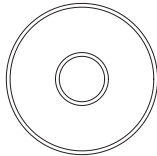
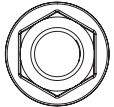
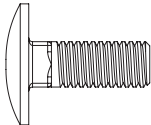
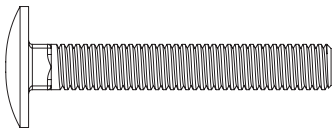
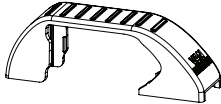
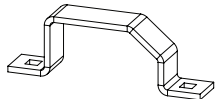
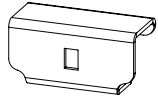

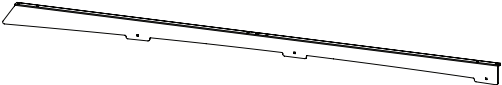



# IN8238

## ULTI Bars




<p><b>FX4013 X6</b> (M6)</p> 	<p><b>FX4016</b> (M6)</p> <p>3 BAR = X18 4 BAR = X22</p> 	<p><b>FX4042</b> (M6X16)</p> <p>3 BAR = X12 4 BAR = X16</p> 	<p><b>FX4050 X6</b> (M6X40)</p> 	<p><b>MA6065</b></p> <p>3 BAR = X6 4 BAR = X8</p> 	<p><b>ME0203</b></p> <p>3 BAR = X6 4 BAR = X8</p> 	<p><b>ME0943 X6</b></p> 
<p><b>ME0941 X1</b></p> 		<p><b>ME0942 X1</b></p> 				

**TOOLS REQUIRED**

10MM X 1



TAPE MEASURE X 1






EN - SAFETY AND PRODUCT INFORMATION  
 DE - SICHERHEITS- UND PRODUKTINFORMATIONEN  
 FR - INFORMATIONS DE SÉCURITÉ ET DU PRODUIT  
 NL - VEILIGHEIDS- EN PRODUCTINFORMATIE  
 ES - INFORMACIÓN DE SEGURIDAD Y DEL PRODUCTO  
 IT - INFORMAZIONI SULLA SICUREZZA E SUL PRODOTTO


SV - SÄKERHETS- OCH PRODUKTINFORMATION  
 DA - SIKKERHEDS- OG PRODUKTINFORMATION  
 NO - SIKKERHETS- OG PRODUKTINFORMASJON  
 PL - INFORMACJE O BEZPIECZENSTWIE I PRODUKCJE  
 CS - INFORMACE O BEZPEČNOSTI A PRODUKTU



**Customercare@van-guard.co.uk**  
**UK +44 (0) 1392 368 351**



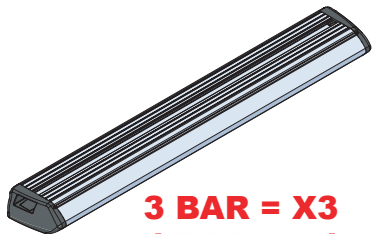
**MA6167**



**3 BAR = X3**  
**4 BAR = X4**

**MA6166**

**ULTI Bar Trade**  
(Steel)



**3 BAR = X3**  
**4 BAR = X4**

**ULTI Bar+**  
(Aluminium)

### 337-3-L2H1

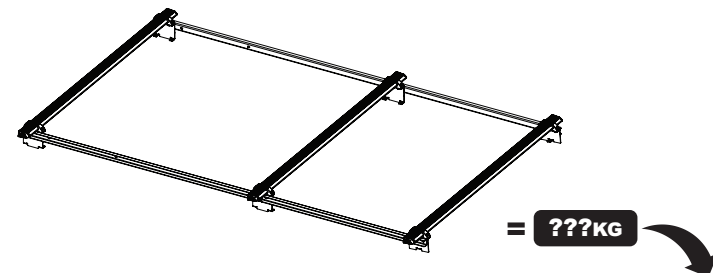
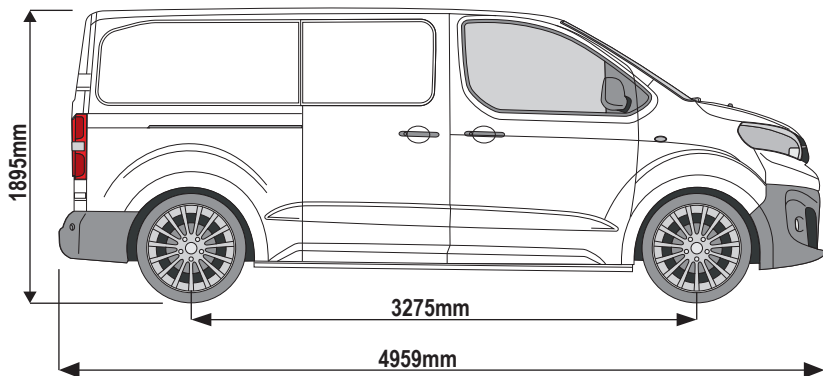
**Vehicle:**

Citroen Dispatch: 2016 on  
 Fiat Scudo: 2022 on  
 Peugeot Expert: 2016 on  
 Toyota Pro-Ace: 2016 on

**Wheel Base:** L2 / M / Standard

**Roof Height:** H1 / Standard

**Rear Doors:** All



ULTI Bar Trade (Steel) = **18.2KG**

ULTI Bar+ (Aluminium) = **14KG**

### 339-3-L1

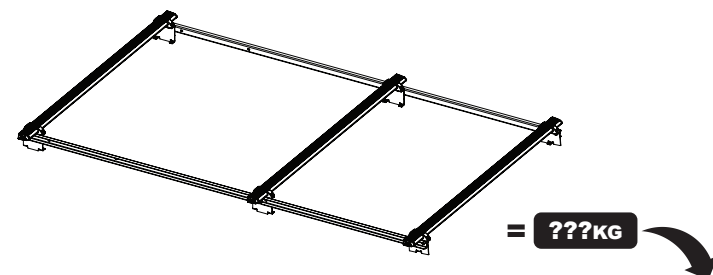
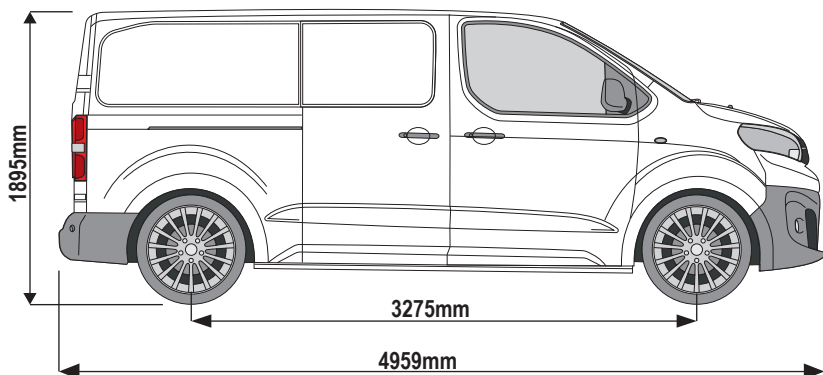
**Vehicle:**

Vauxhall Vivaro: 2019 on

**Wheel Base:** L1

**Roof Height:** H1 / Standard

**Rear Doors:** All



ULTI Bar Trade (Steel) = **18.2KG**

ULTI Bar+ (Aluminium) = **14KG**

### 337-4-L2H1

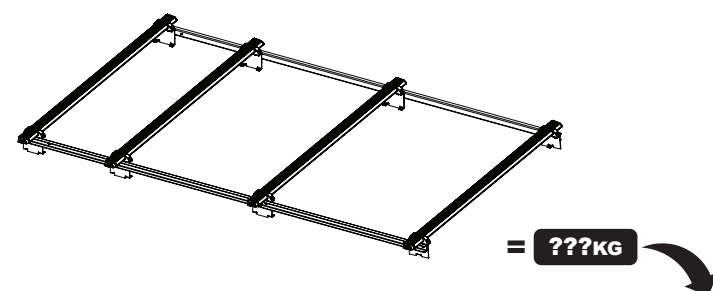
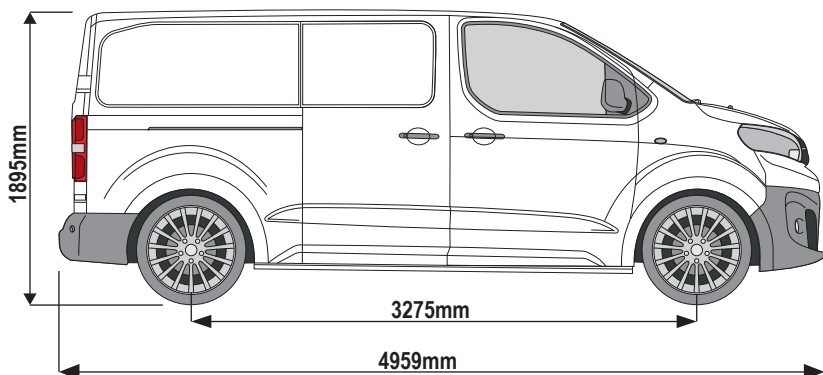
**Vehicle:**

Citroen Dispatch: 2016 on  
 Fiat Scudo: 2022 on  
 Peugeot Expert: 2016 on  
 Toyota Pro-Ace: 2016 on

**Wheel Base:** L2 / M / Standard

**Roof Height:** H1 / Standard

**Rear Doors:** All

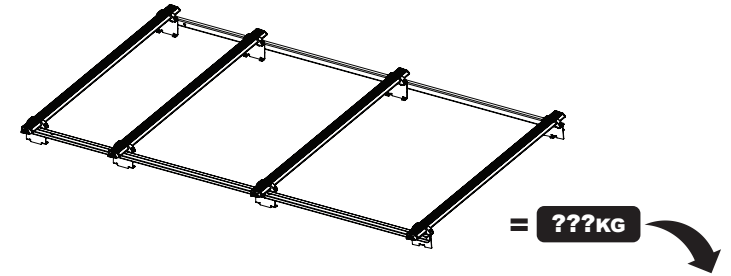
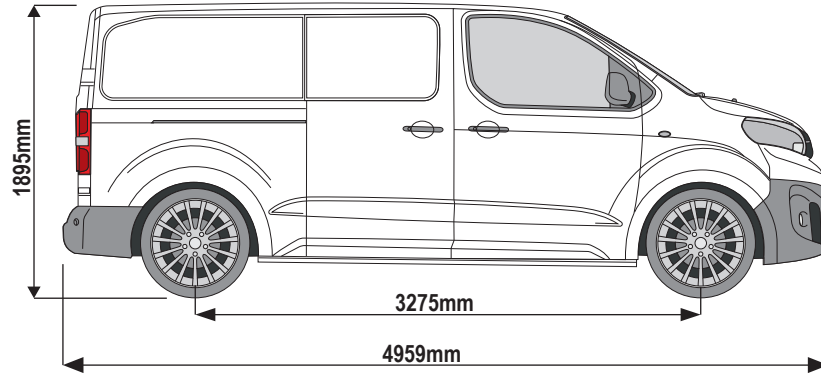


ULTI Bar Trade (Steel) = **21.6KG**

ULTI Bar+ (Aluminium) = **16KG**

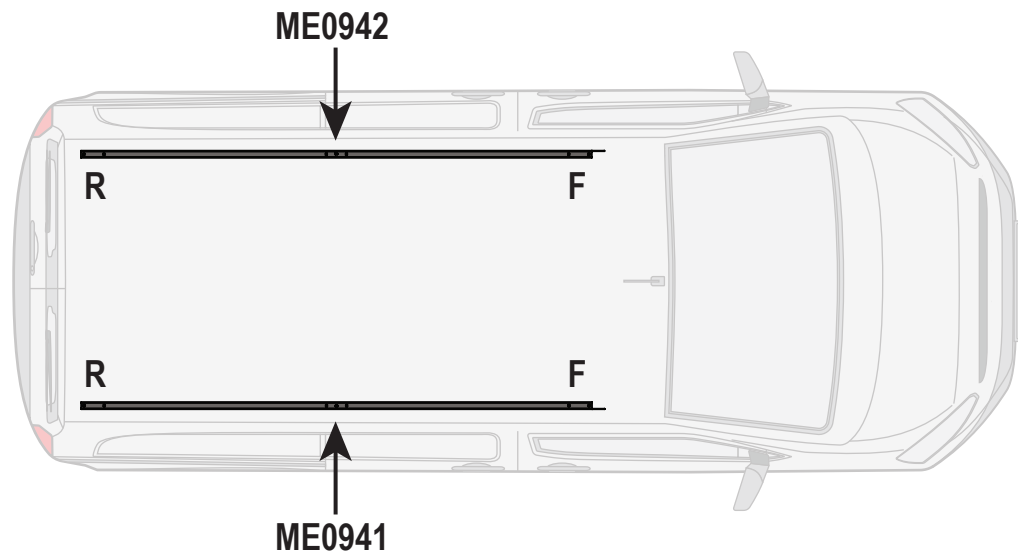
### 339-4-L1

**Vehicle:**  
 Vauxhall Vivaro: 2019 on  
**Wheel Base:** L1  
**Roof Height:** H1 / Standard  
**Rear Doors:** All

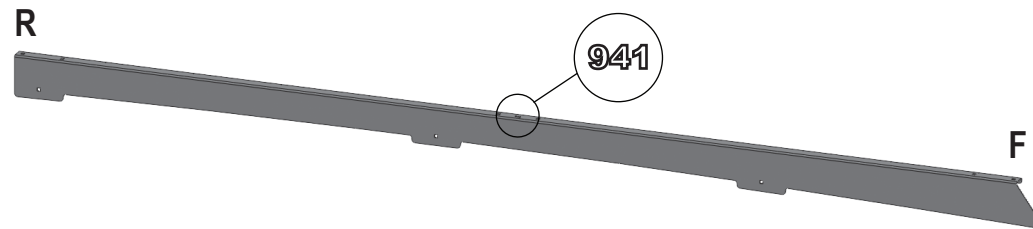


ULTI Bar Trade (Steel) =	<b>21.6KG</b>
ULTI Bar+ (Aluminium) =	<b>16KG</b>

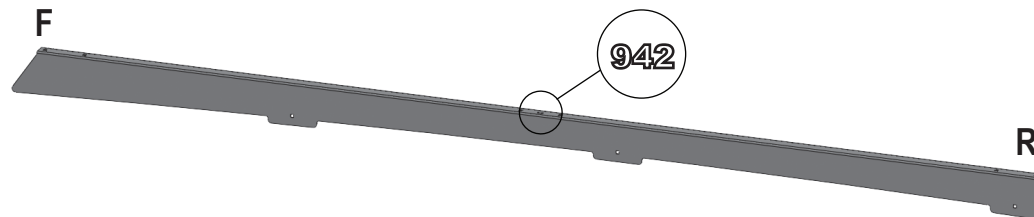
1



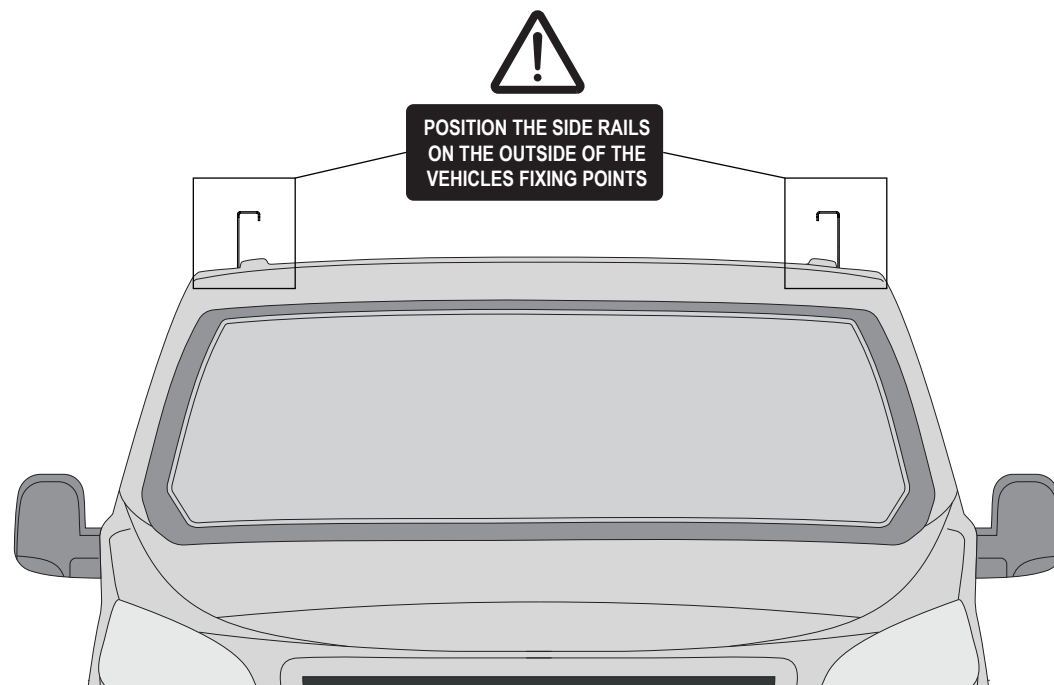
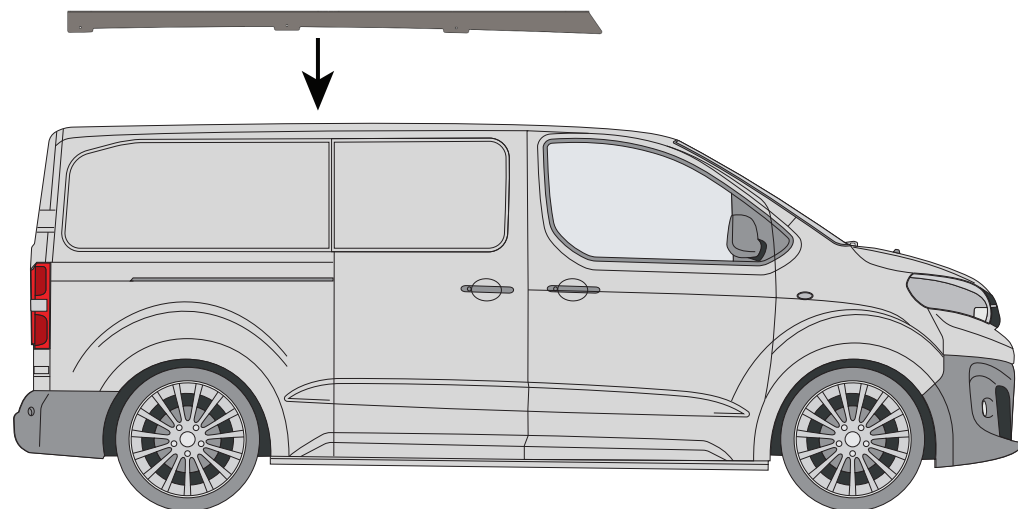
ME0941



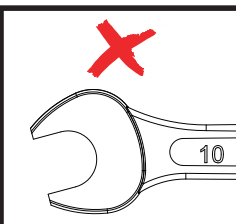
ME0942



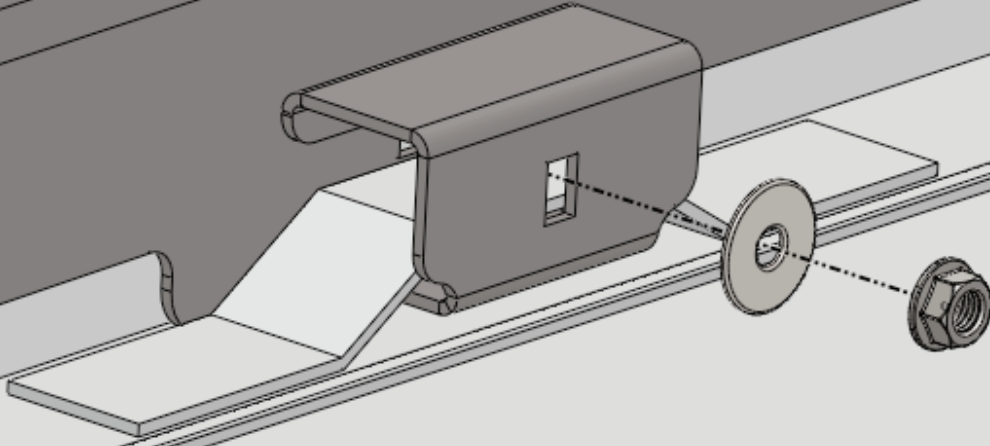
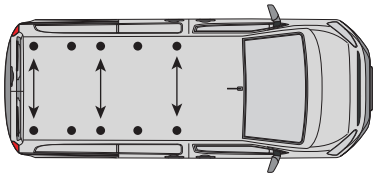
2



3



LOOSELY SECURE TO THE VEHICLES 1ST, 3RD AND 5TH FIXING POINTS



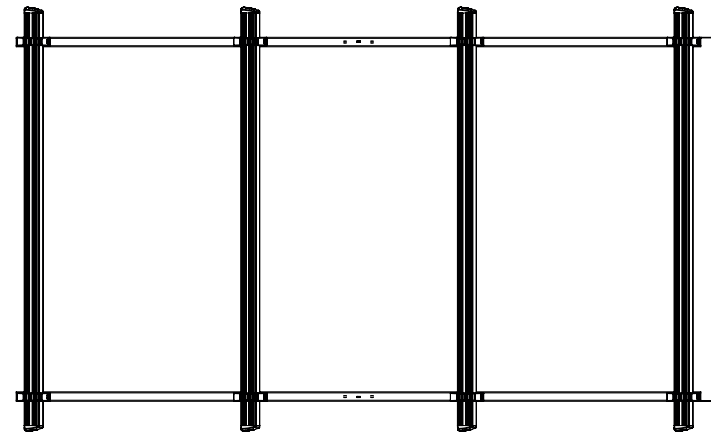
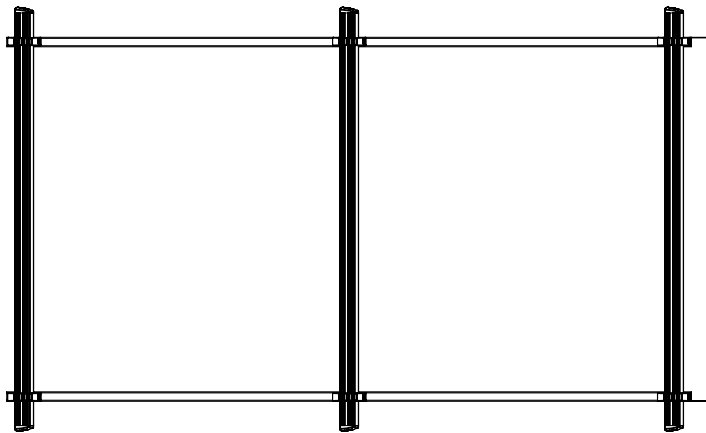
4

**VG337-3-L2H1 / VG339-3-L1**

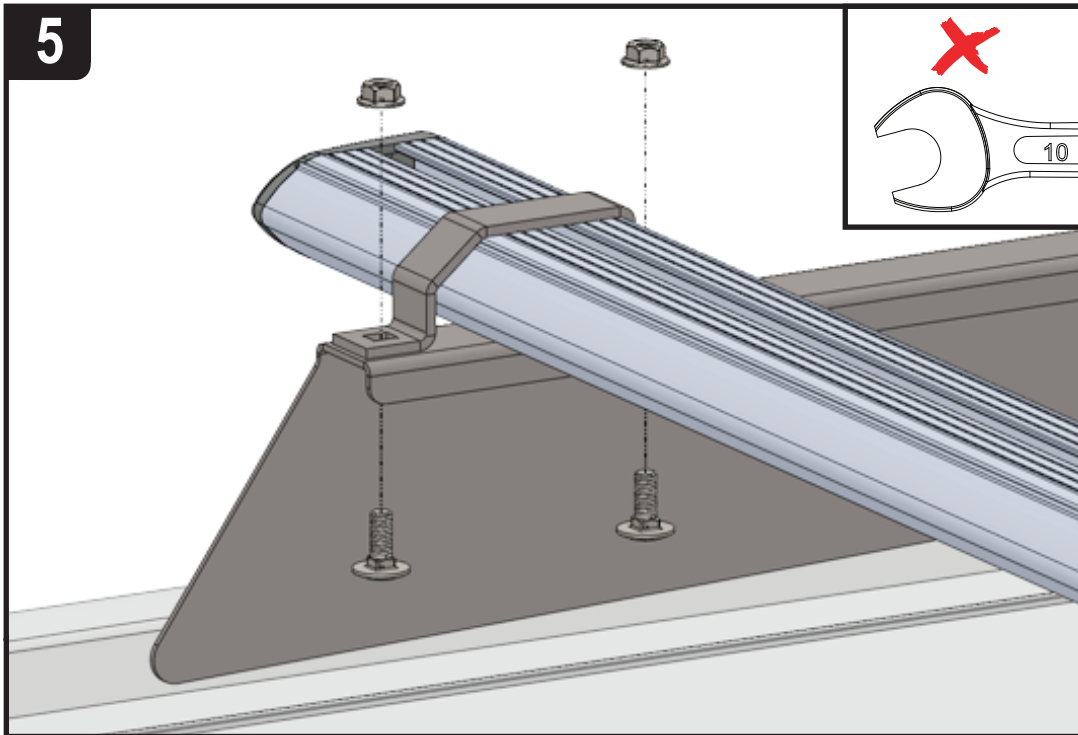
**VG337-4-L2H1 / VG339-4-L1**



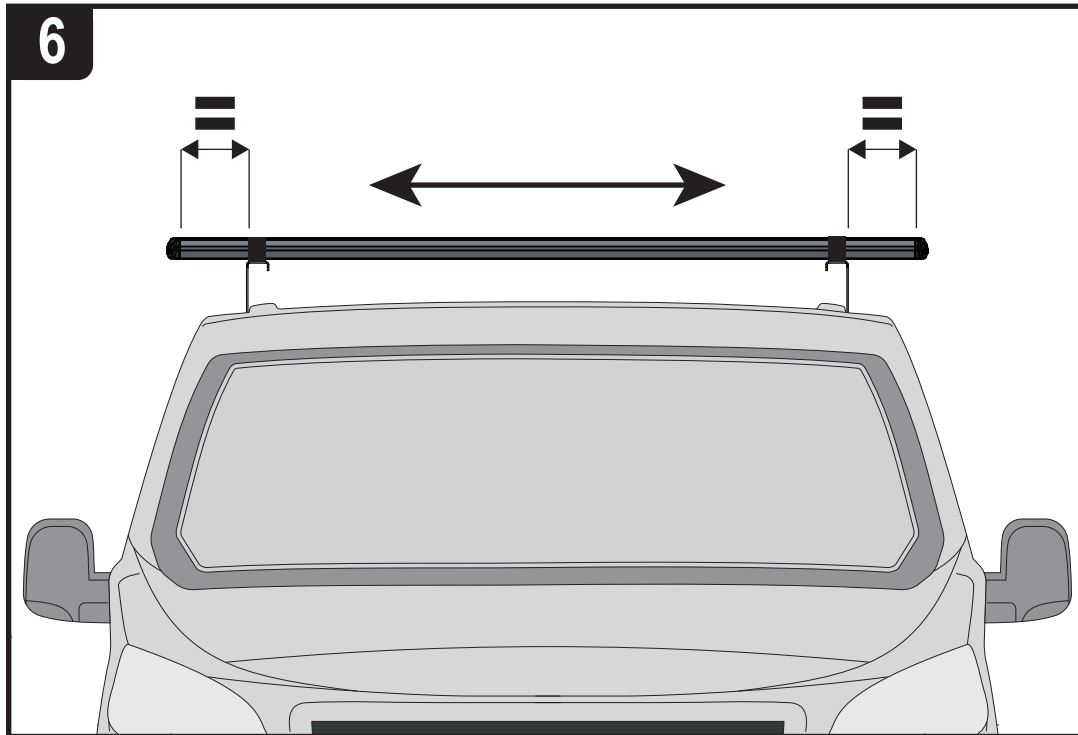
DEPENDENT ON THE SYSTEM YOU ARE FITTING POSITION THE BARS AS SHOWN



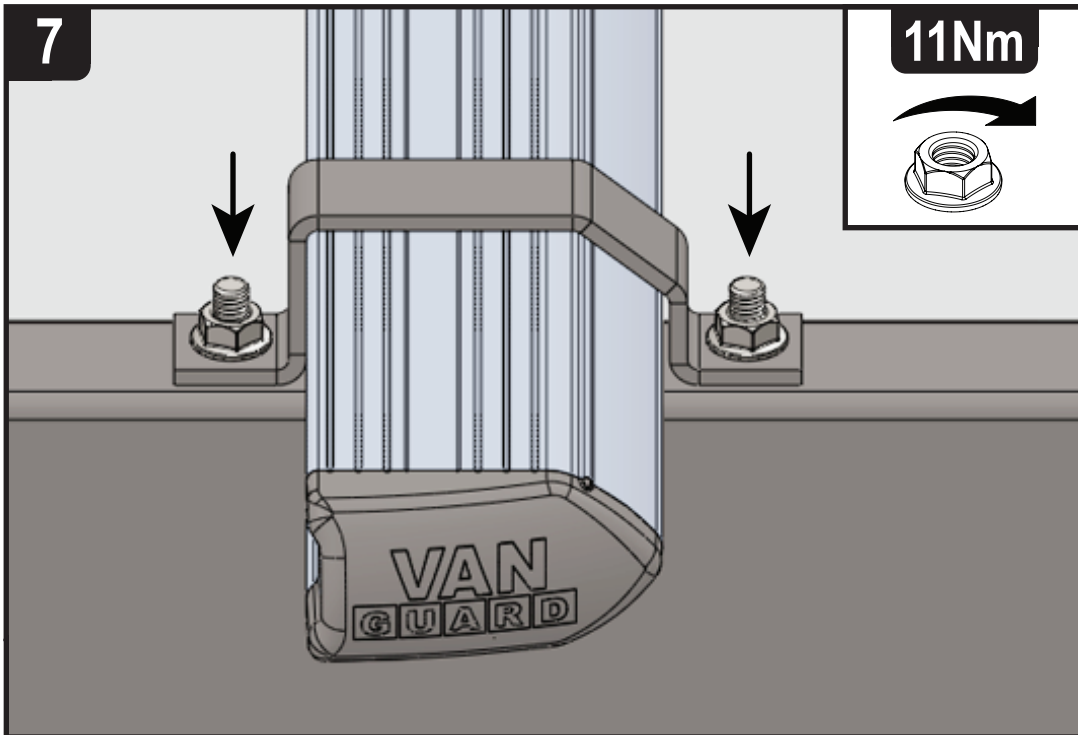
5



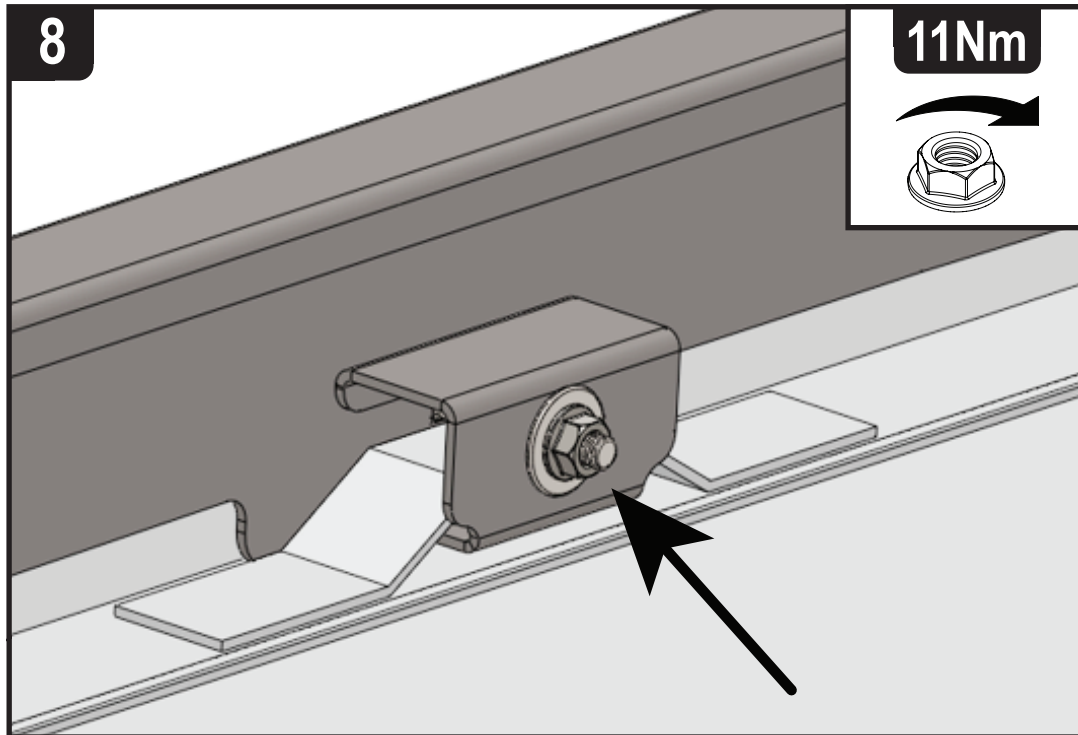
6



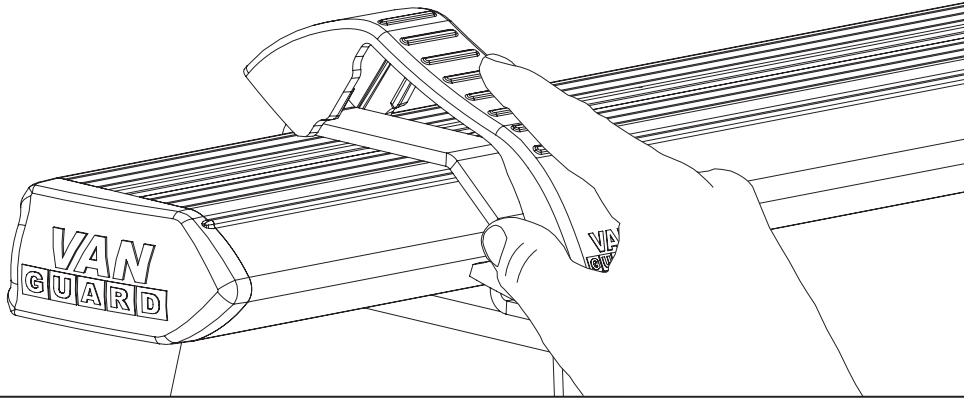
7



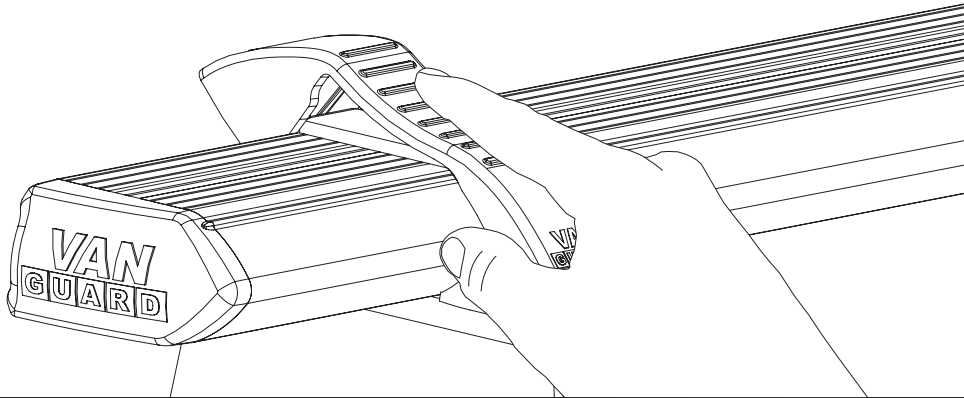
8



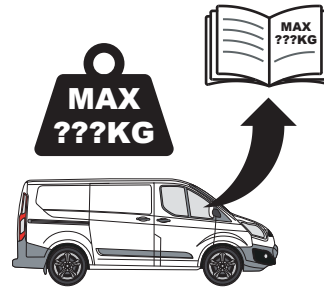
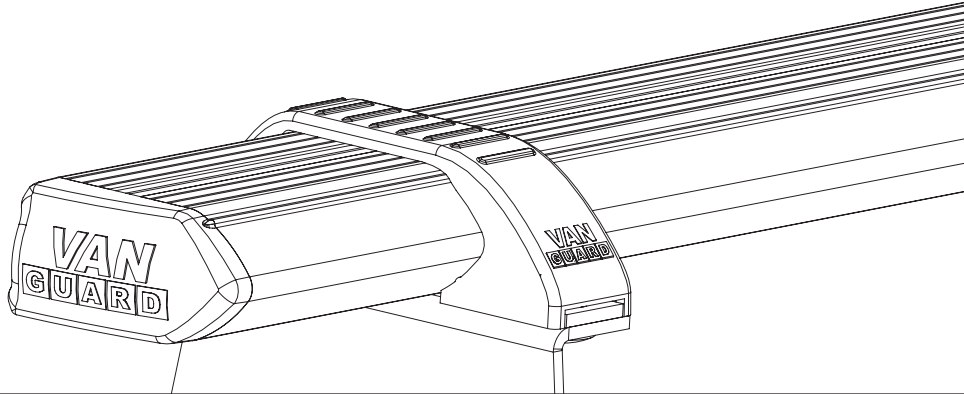
1.



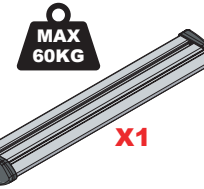
2.



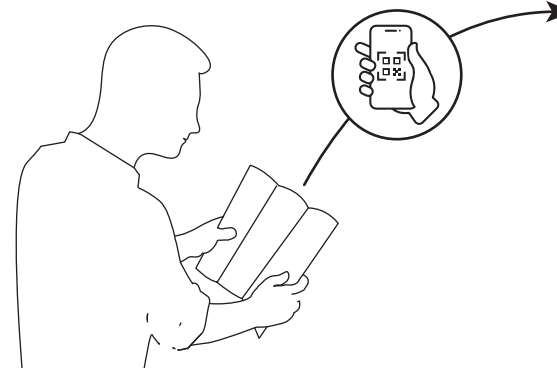
3.



**ULTI Bar Trade**  
(Steel)



**ULTI Bar+**  
(Aluminium)



EN - SAFETY AND PRODUCT INFORMATION  
 DE - SICHERHEITS- UND PRODUKTINFORMATIONEN  
 FR - INFORMATIONS DE SÉCURITÉ ET DU PRODUIT  
 NL - VEILIGHEIDS- EN PRODUCTINFORMATIE  
 ES - INFORMACIÓN DE SEGURIDAD Y DEL PRODUCTO  
 IT - INFORMAZIONI SULLA SICUREZZA E SUL PRODOTTO

SV - SÄKERHETS- OCH PRODUKTINFORMATION  
 DA - SIKKERHEDS- OG PRODUKTINFORMATION  
 NO - SIKKERHETS- OG PRODUKTINFORMASJON  
 PL - INFORMACJE O BEZPIECZENSTWIE I PRODUKCJE  
 CS - INFORMACE O BEZPEČNOSTI A PRODUKTU