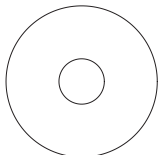
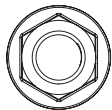
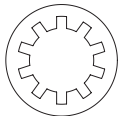
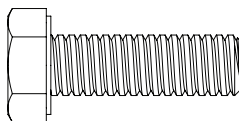
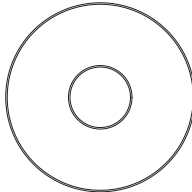
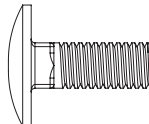
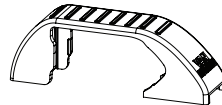
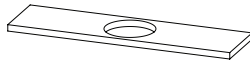
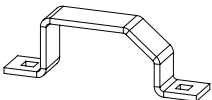
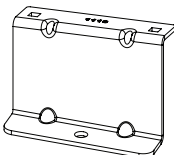
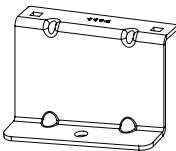
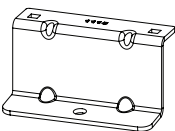
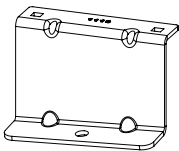
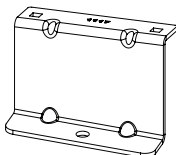


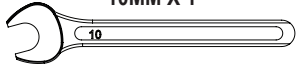
IN8257

ULTI Bars - X3

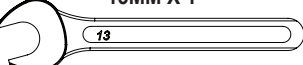
| | | | | | | | |
|---|---|--|--|--|--|---|---|
| <p>FX4014 X6 (RUBBER)</p>  | <p>FX4016 X12 (M6)</p>  | <p>FX4019 X6 (M8)</p>  | <p>FX4028 X6 (M8X25)</p>  | <p>FX4040 X6 (M8)</p>  | <p>FX4042 X12 (M6X16)</p>  | <p>MA6065 X6</p>  | <p>MA6092 X6</p>  |
| <p>ME0203 X6</p>  | <p>ME1113 X1</p>  | <p>ME1114 X1</p>  | <p>ME1115 X2</p>  | <p>ME1116 X1</p>  | <p>ME1117 X1</p>  | | |

TOOLS REQUIRED


10MM X 1





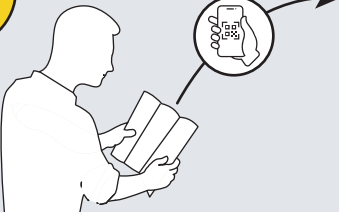

13MM X 1



TAPE MEASURE X 1



FLAT HEAD SCREWDRIVER X 1







EN - SAFETY AND PRODUCT INFORMATION
 DE - SICHERHEITS- UND PRODUKTINFORMATIONEN
 FR - INFORMATIONS DE SÉCURITÉ ET DU PRODUIT
 NL - VEILIGHEIDS- EN PRODUCTINFORMATIE
 ES - INFORMACIÓN DE SEGURIDAD Y DEL PRODUCTO
 IT - INFORMAZIONI SULLA SICUREZZA E SUL PRODOTTO

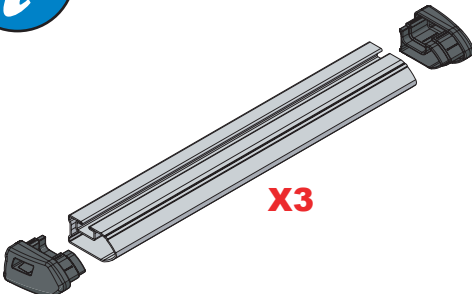
SV - SÄKERHETS- OCH PRODUKTINFORMATION
 DA - SIKKERHEDS- OG PRODUKTINFORMATION
 NO - SIKKERHETS- OG PRODUKTINFORMASJON
 PL - INFORMACJE O BEZPIECZENSTWIE I PRODUKCIE
 CS - INFORMACE O BEZPEČNOSTI A PRODUKTU



Customercare@van-guard.co.uk
UK +44 (0) 1392 368 351

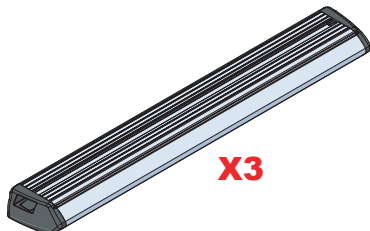


MA6167



MA6166

ULTI Bar Trade
(Steel)



ULTI Bar+
(Aluminium)

This FITTING INSTRUCTION is the property of VAN GUARD ACCESSORIES LTD. and must not be used for manufacturing purposes, copied nor communicated in any way to third parties without written permission from VAN GUARD ACCESSORIES LTD.

IN8257_F (CN:00183)

Van Guard Accessories Ltd
 Fair Oak Close, Exeter Airport Business Park,
 Exeter, Devon, EX5 2UL
www.van-guard.co.uk

338-3

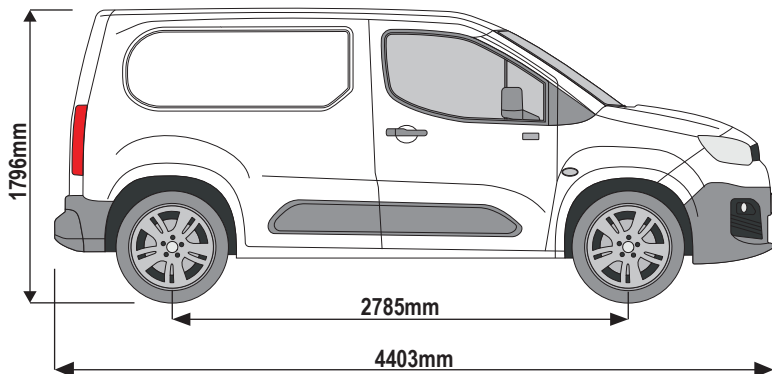
Vehicle:

Citroen Berlingo: 2019 on
 Peugeot Partner: 2019 on
 Vauxhall Combo: 2019 on

Wheel Base: L1

Roof Height: H1

Rear Doors: Twin



= **???**KG

| | |
|--------------------------|---------------|
| ULTI Bar Trade (Steel) = | 11.3KG |
| ULTI Bar+ (Aluminium) = | 7.4KG |

338-3

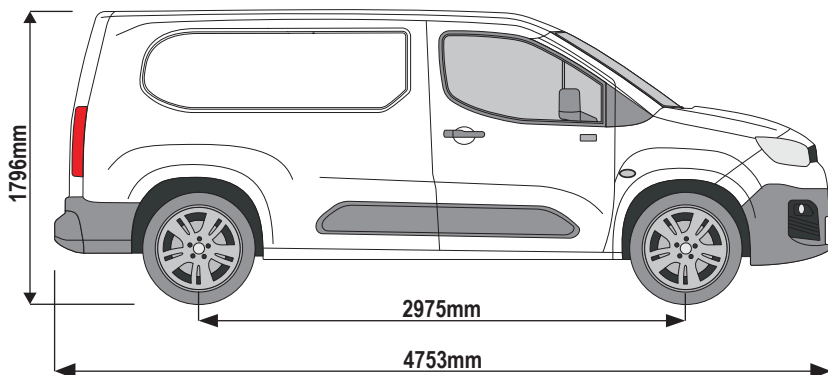
Vehicle:

Citroen Berlingo: 2019 on
 Peugeot Partner: 2019 on
 Vauxhall Combo: 2019 on

Wheel Base: L2

Roof Height: H1

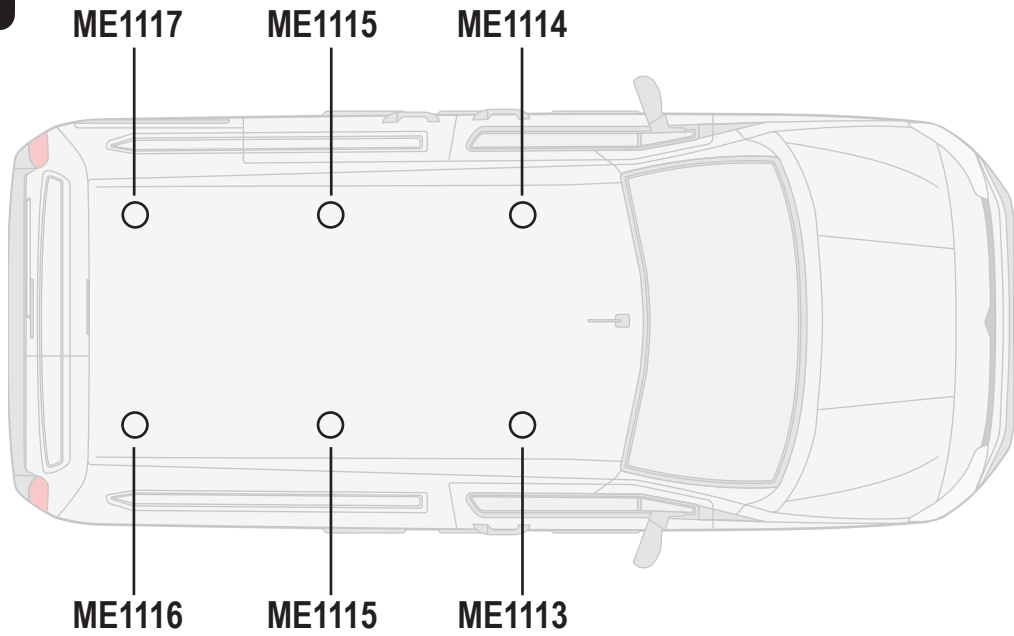
Rear Doors: Twin



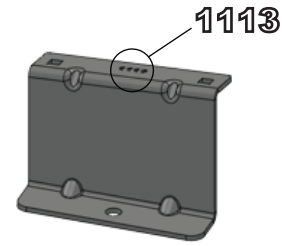
= **???**KG

| | |
|--------------------------|---------------|
| ULTI Bar Trade (Steel) = | 11.3KG |
| ULTI Bar+ (Aluminium) = | 7.4KG |

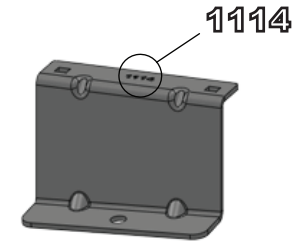
1



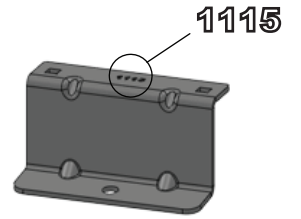
ME1113



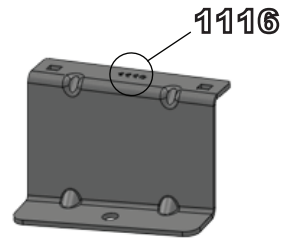
ME1114



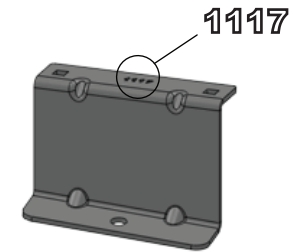
ME1115



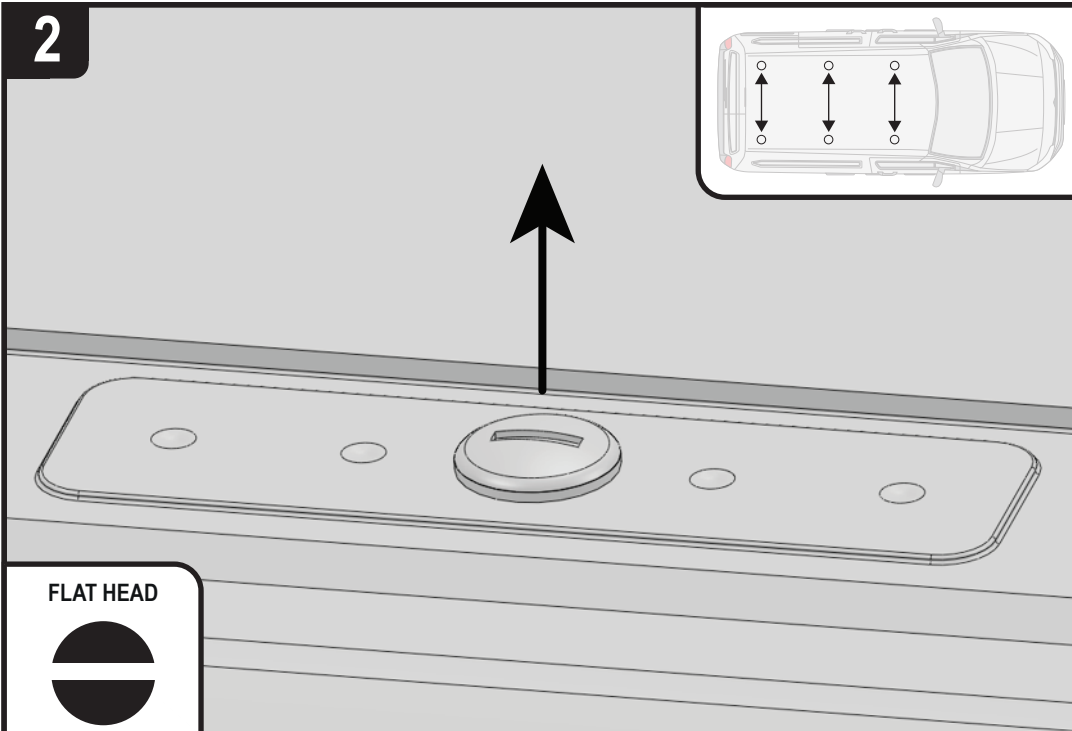
ME1116



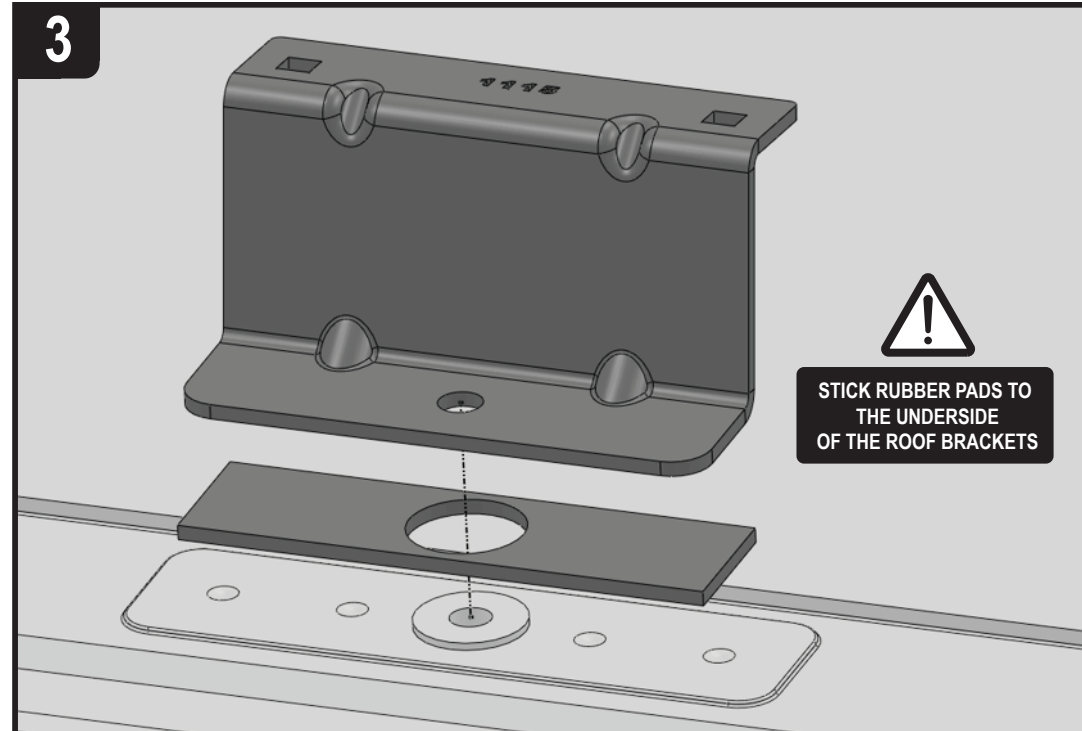
ME1117



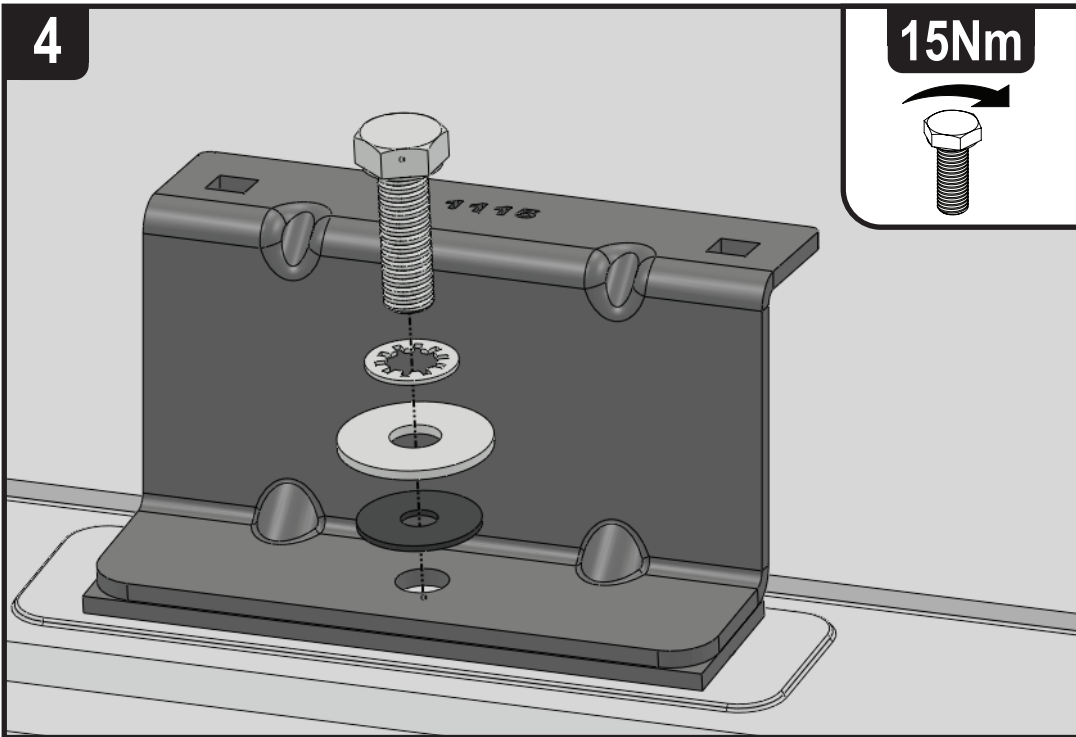
2



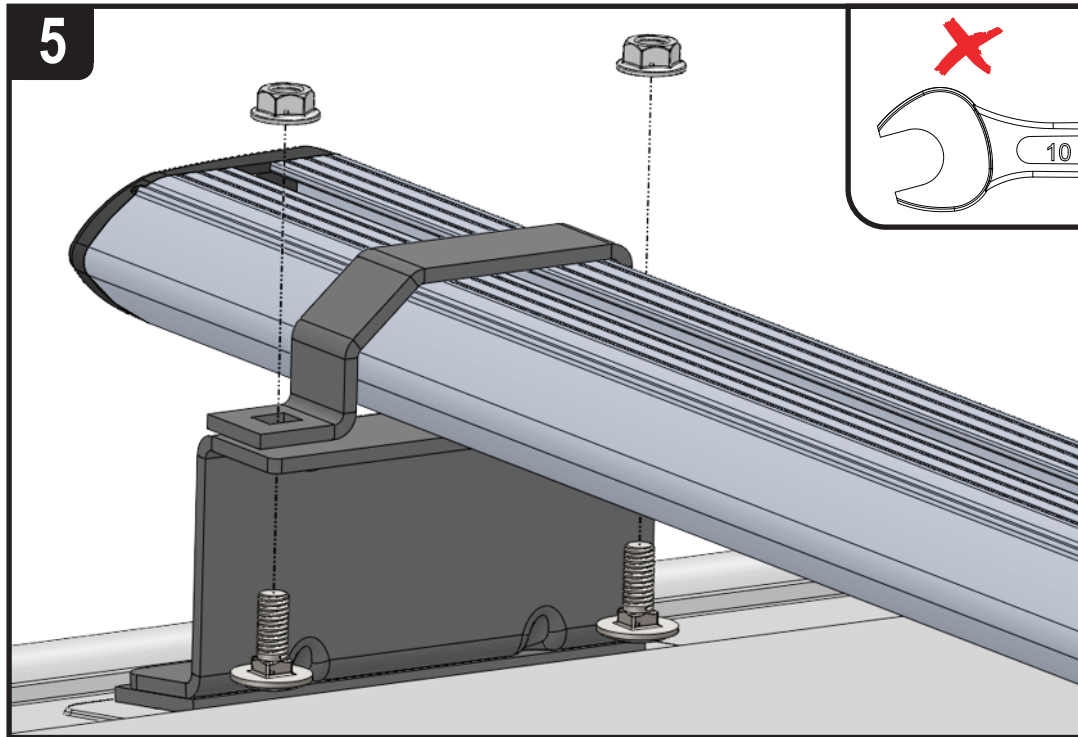
3



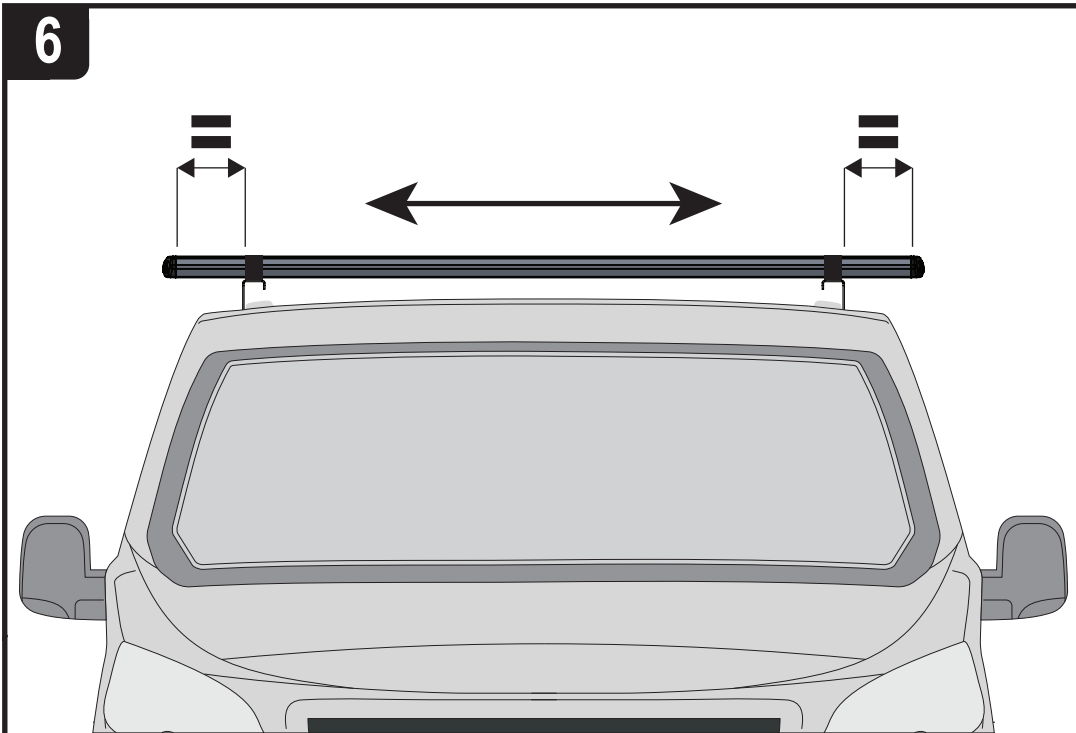
4



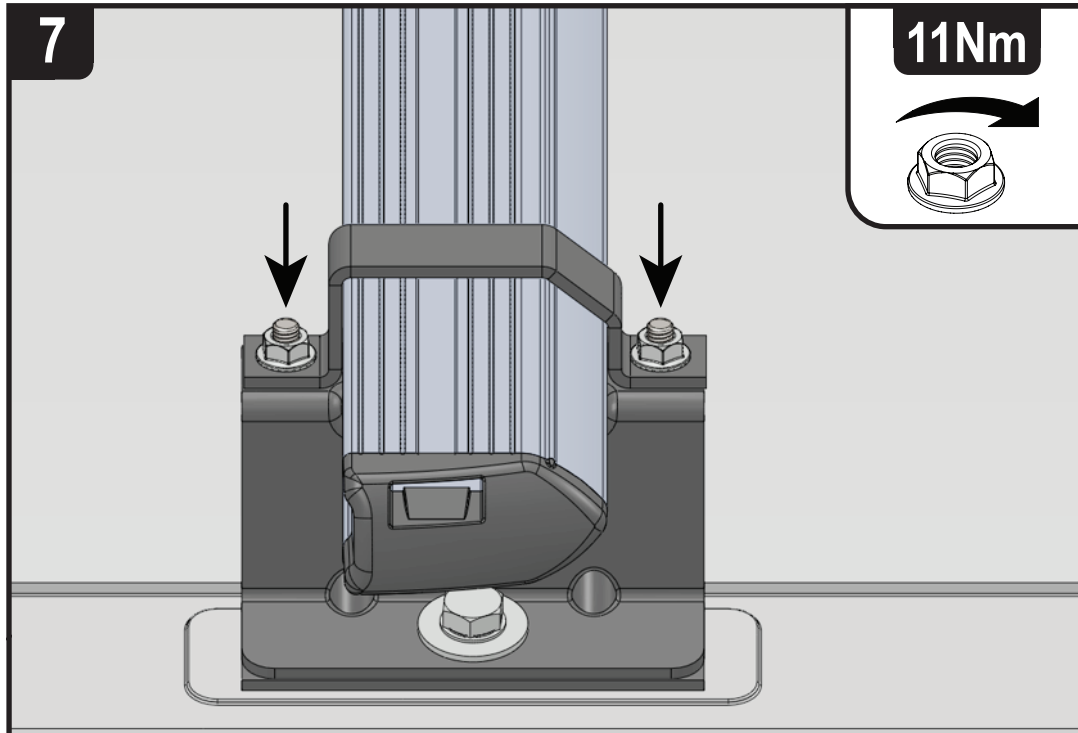
5

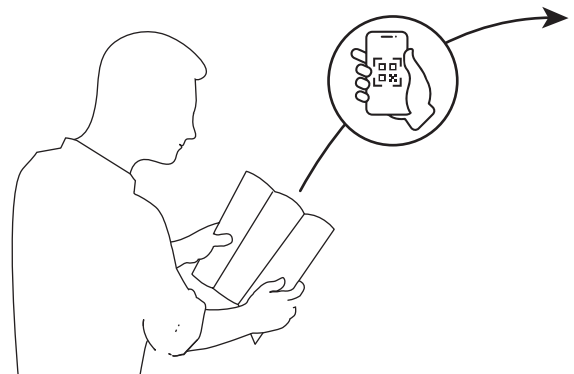
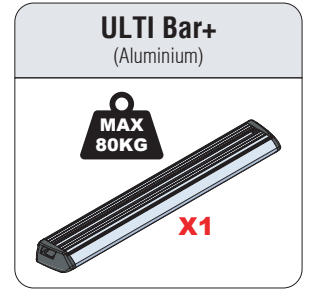
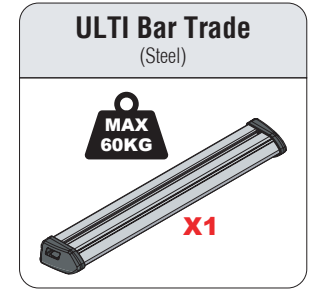
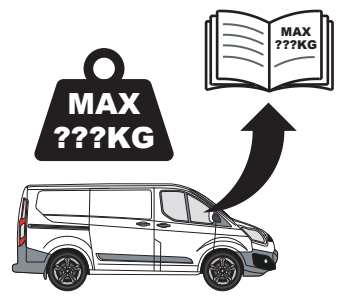
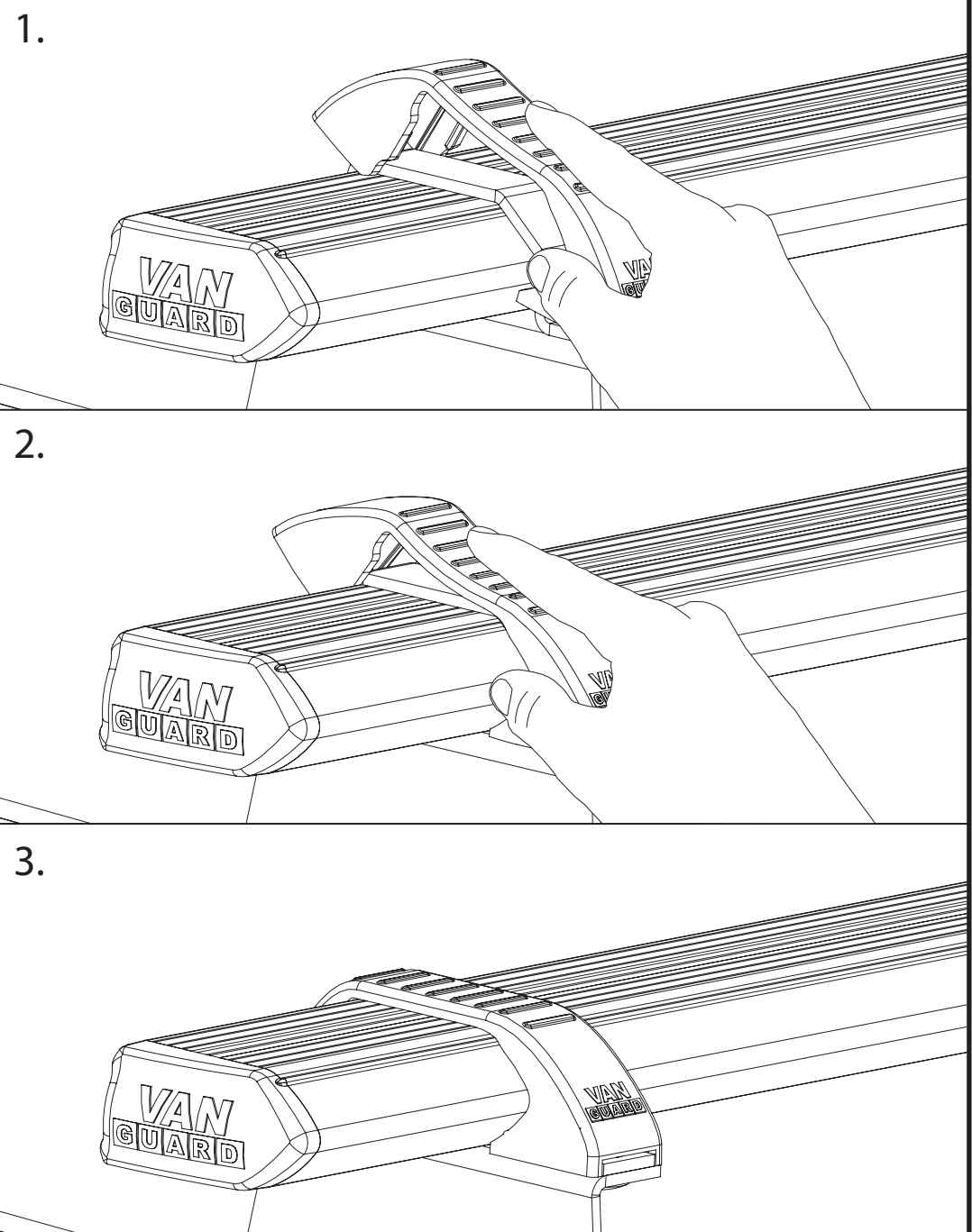


6



7





EN - SAFETY AND PRODUCT INFORMATION
DE - SICHERHEITS- UND PRODUKTINFORMATIONEN
FR - INFORMATIONS DE SÉCURITÉ ET DU PRODUIT
NL - VEILIGHEIDS- EN PRODUCTINFORMATIE
ES - INFORMACIÓN DE SEGURIDAD Y DEL PRODUCTO
IT - INFORMAZIONI SULLA SICUREZZA E SUL PRODOTTO

SV - SÄKERHETS- OCH PRODUKTINFORMATION
DA - SIKKERHEDS- OG PRODUKTINFORMATION
NO - SIKKERHETS- OG PRODUKTINFORMASJON
PL - INFORMACJE O BEZPIECZENSTWIE I PRODUKCJE
CS - INFORMACE O BEZPEČNOSTI A PRODUKTU