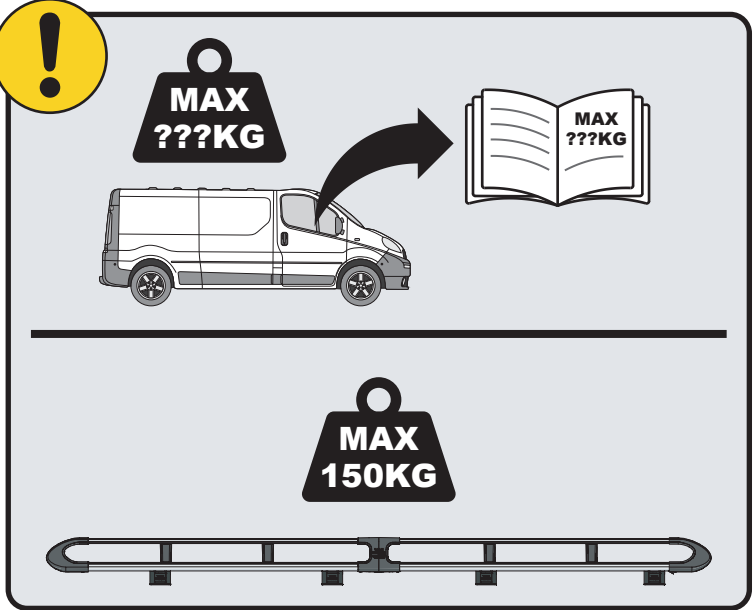
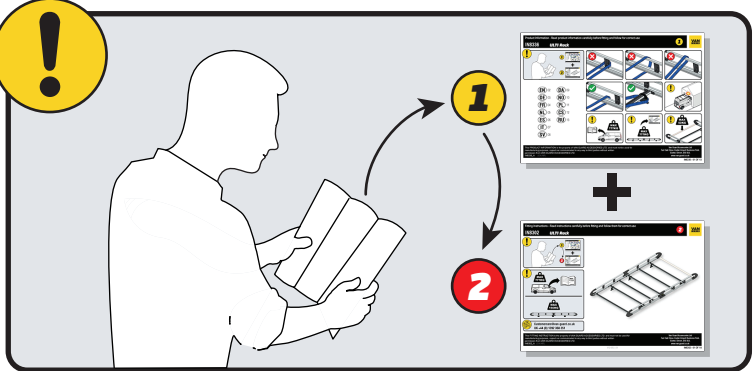


# IN8274

## ULTI Rack+



 [Customercare@van-guard.co.uk](mailto:Customercare@van-guard.co.uk)  
UK +44 (0) 1392 368 351



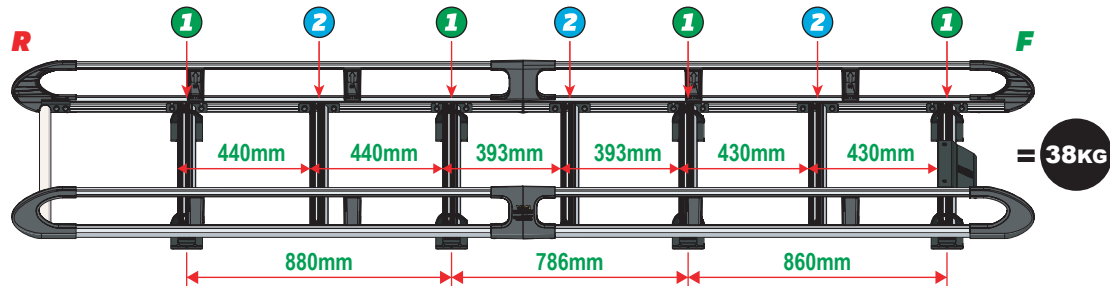
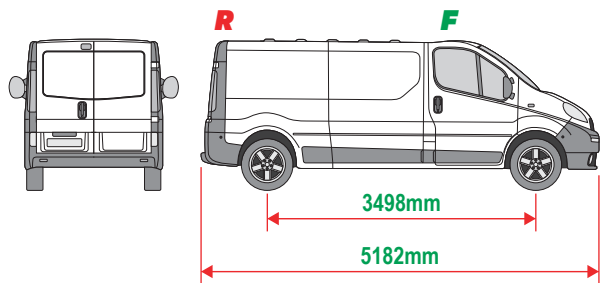
This FITTING INSTRUCTION is the property of VAN GUARD ACCESSORIES LTD. and must not be used for manufacturing purposes, copied nor communicated in any way to third parties without written permission from VAN GUARD ACCESSORIES LTD.  
IN8274\_B (CN:00356)

Van Guard Accessories Ltd  
Fair Oak Close, Exeter Airport Business Park,  
Exeter, Devon, EX5 2UL  
[www.van-guard.co.uk](http://www.van-guard.co.uk)

THIS INSTRUCTION COVERS THE FOLLOWING MODELS - CHECK YOU ARE FITTING THE CORRECT MODEL BEFORE PROCEEDING

### VGUR-203

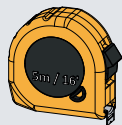
Nissan Primastar: 2002-2014  
Renault Trafic: 2002-2014  
Vauxhall Vivaro: 2002-2014  
L2H1 (LWB)  
Twin Rear Doors



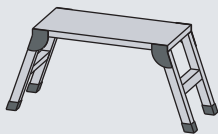
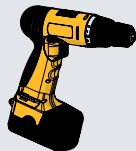
**SUPPLIED COMPONENTS - CHECK ALL PARTS ARE PRESENT AND CORRECT BEFORE PROCEEDING (1 OF 2)**

**TOOLS REQUIRED**

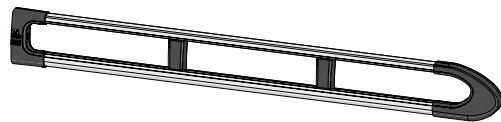
**10MM X1**



**13MM X1**



**AS3543 X2**  
(3200 / A)



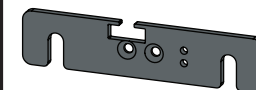
**MA6118 X14**



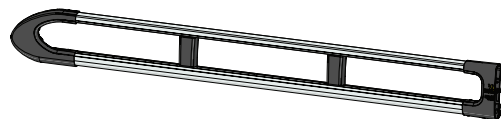
**FX4241 X32**



**ME1622 X3**



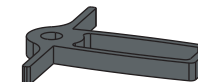
**AS3542 X2**  
(3200 / B)



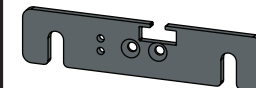
**FX4008 X1**



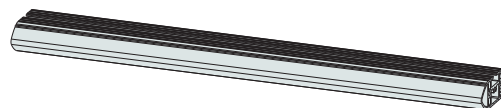
**MA6145 X1**



**ME1623 X3**



**ME1628 X7**  
(1554mm)



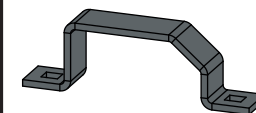
**FX4001 X2**  
(M8X40)



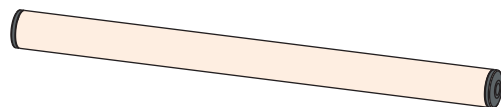
**FX4235 X28**  
(M5X25)



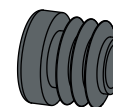
**ME0203 X8**



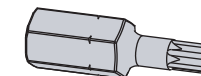
**AS3160 X1**  
(1540mm)



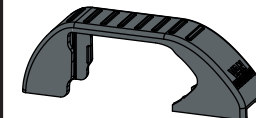
**MA6007 X4**



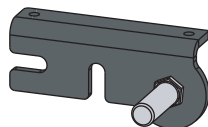
**FX4248 X1**  
(T25)



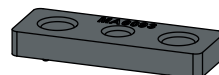
**MA6065 X8**



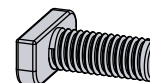
**AS3590 X1**



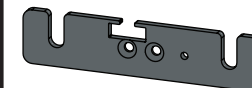
**MA6093 X16**



**FX4239 X32**  
(M8X20)



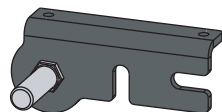
**ME1620 X4**



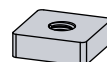
**FX4016 X26**  
(M6)



**AS3591 X1**



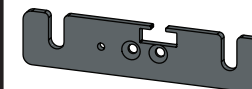
**ME0316 X16**



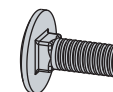
**FX4240 X32**  
(M8)



**ME1621 X4**



**FX4042 X26**  
(M6X16)



SUPPLIED COMPONENTS - CHECK ALL PARTS ARE PRESENT AND CORRECT BEFORE PROCEEDING (2 OF 2)

**ME0355 X1**

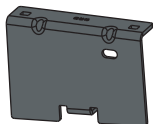


**FX4017 X16**

(M6)

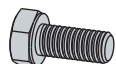


**ME0690 X1**

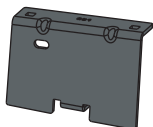


**FX4061 X2**

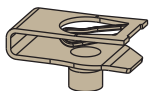
(M6X14)



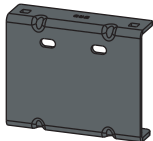
**ME0691 X1**



**FX4126 X14**



**ME0692 X6**



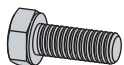
**FX4010 X16**

(M6)



**FX4012 X14**

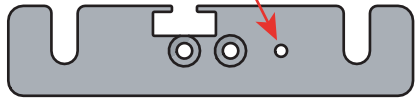
(M6X16)





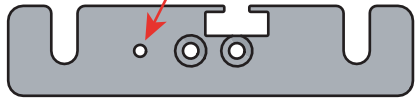
01

1L



X4

1R



X4

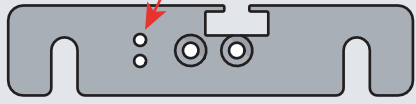


2L



X3

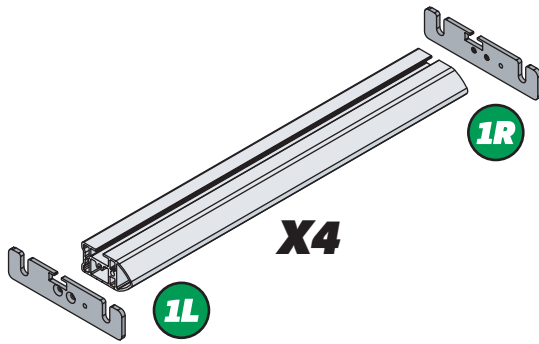
2R



X3

02

1R

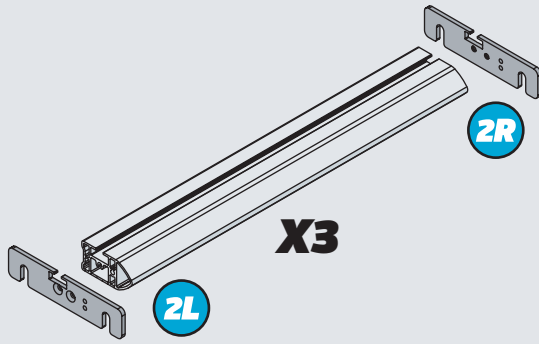


X4

1L



2R



X3

2L



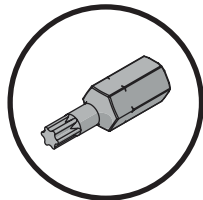
03

01

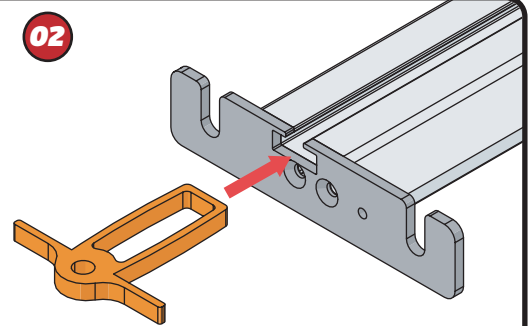
FX4248



+



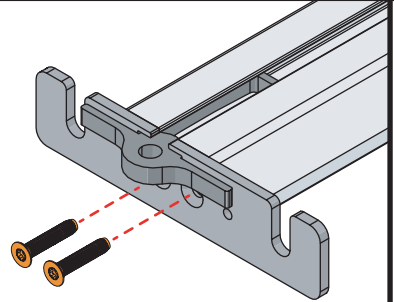
02



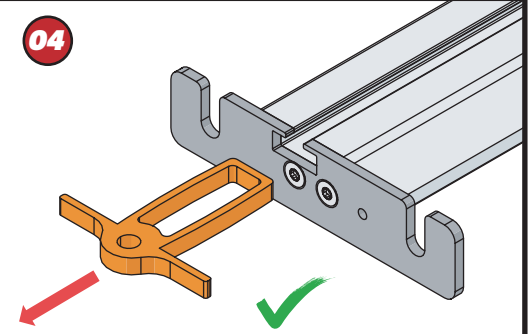
03



11Nm



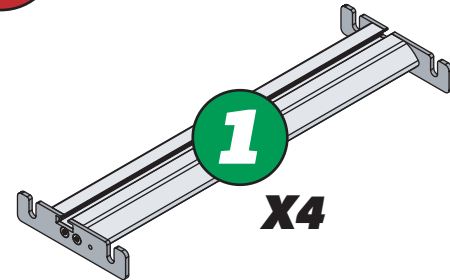
04



04

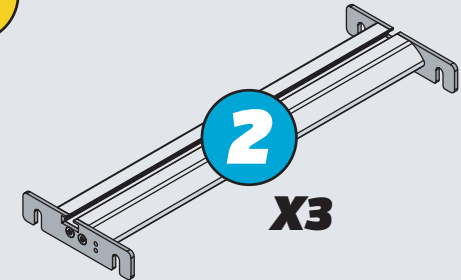


1

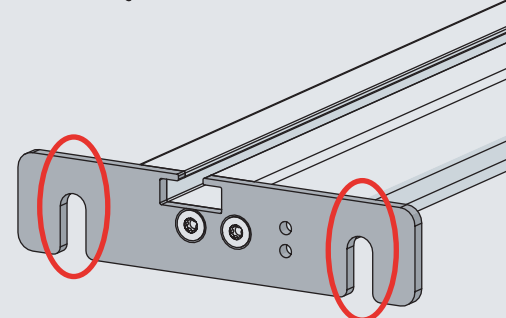
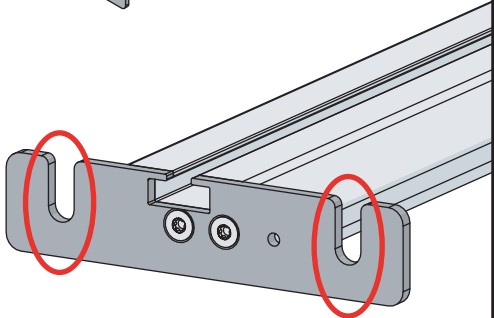


X4

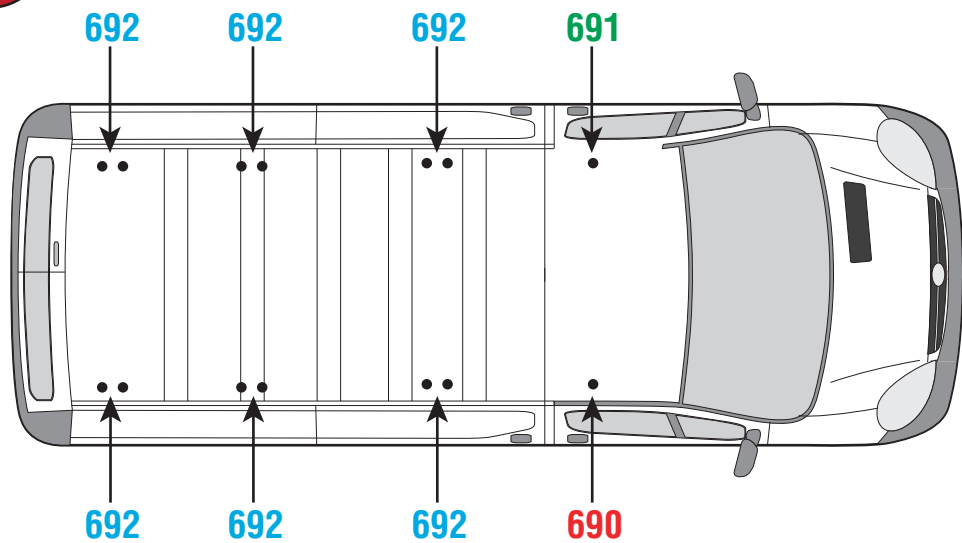
2



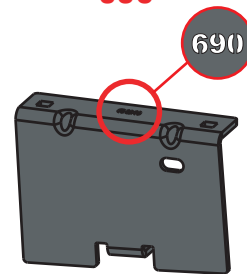
X3



05

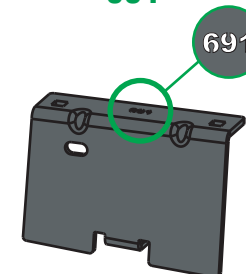


690



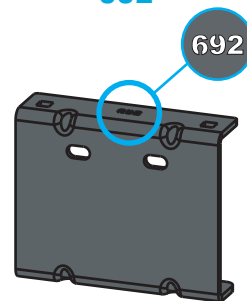
690

691



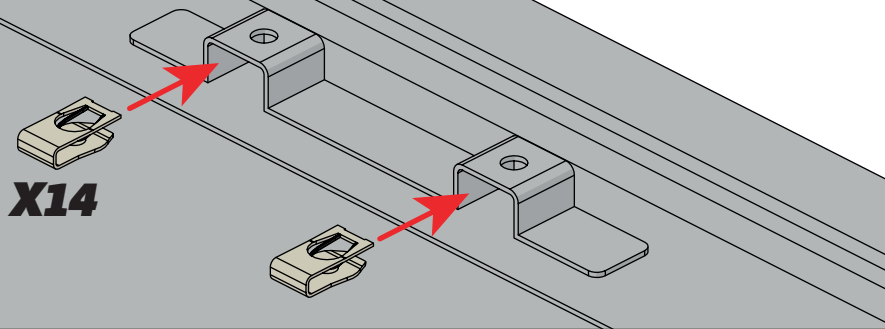
691

692



692

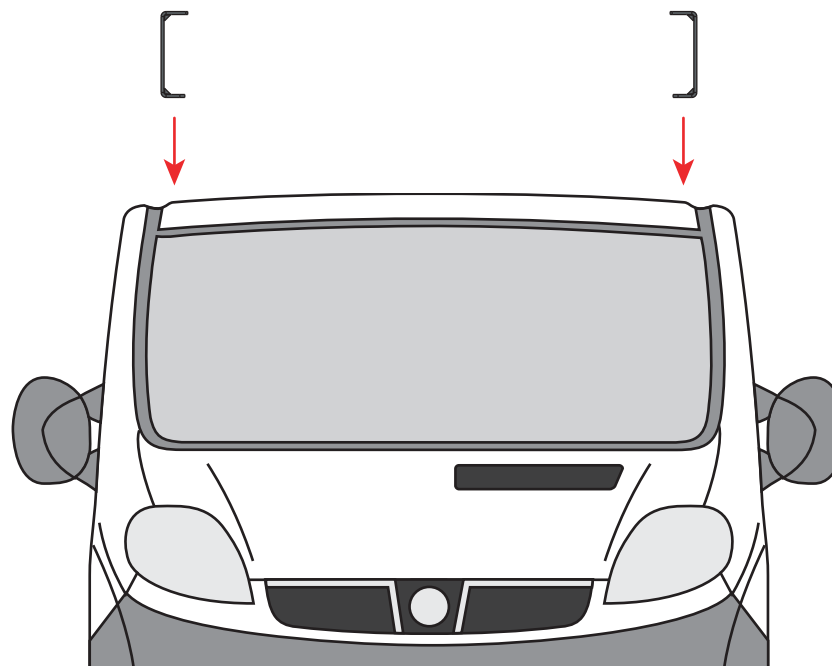
06



X14

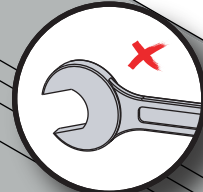
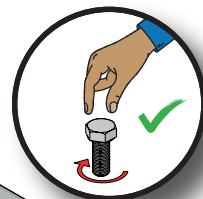
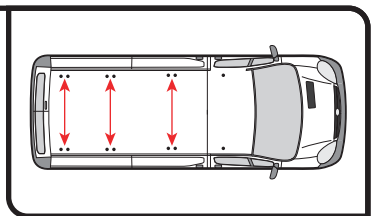


07



08

X6

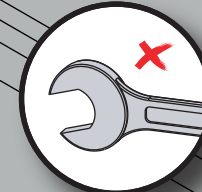
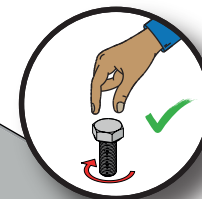
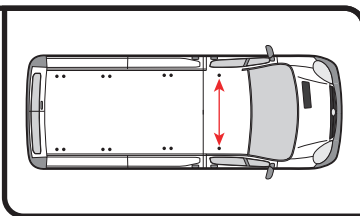


- FX4012**  
(M6X16) ✓
- FX4061**  
(M6X14) ✗



09

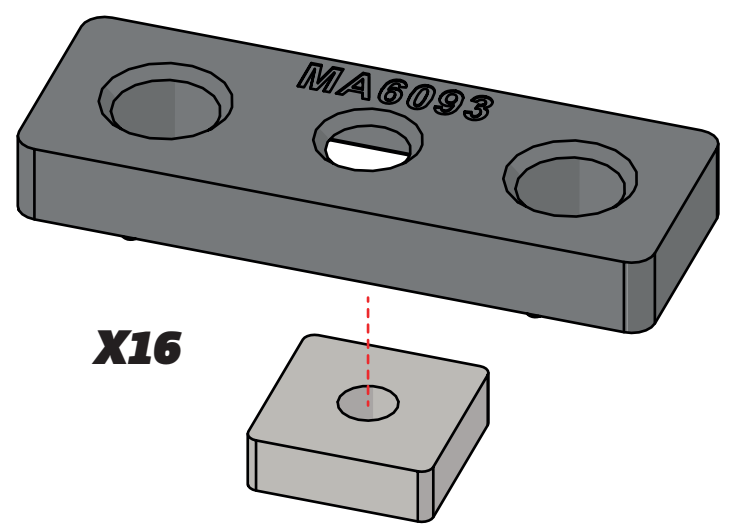
X2



- FX4012**  
(M6X16) ✓
- FX4061**  
(M6X14) ✗

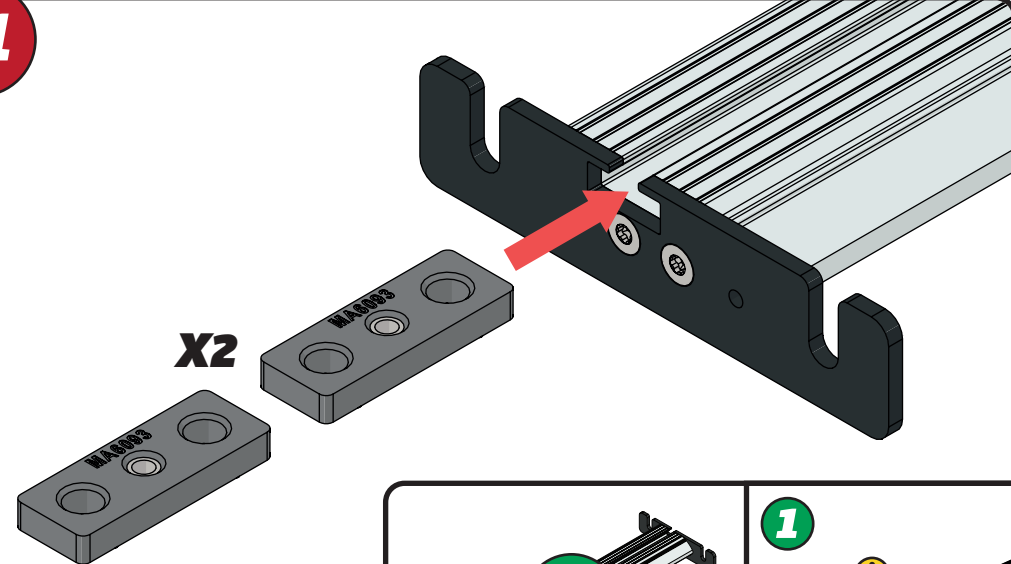


10

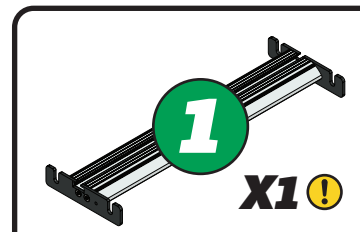


X16

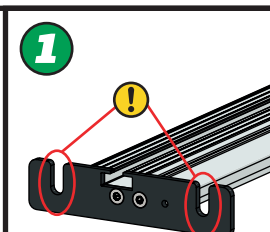
11

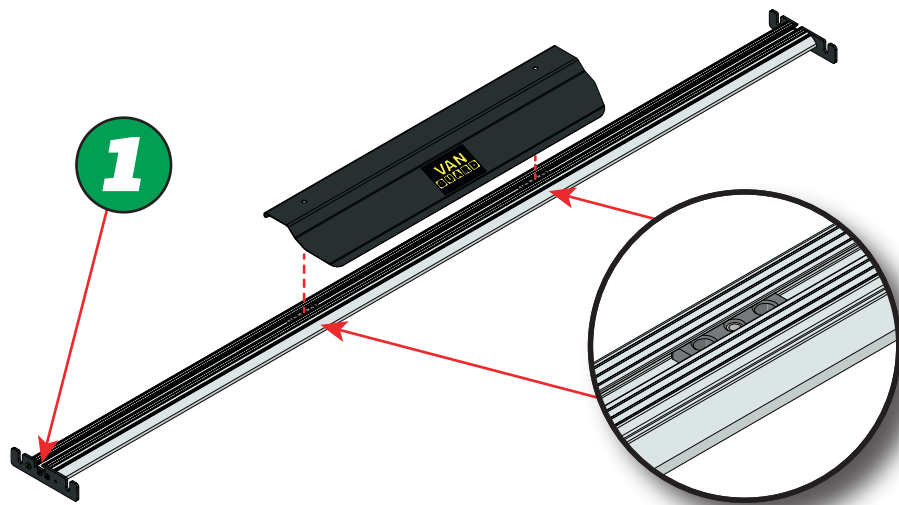
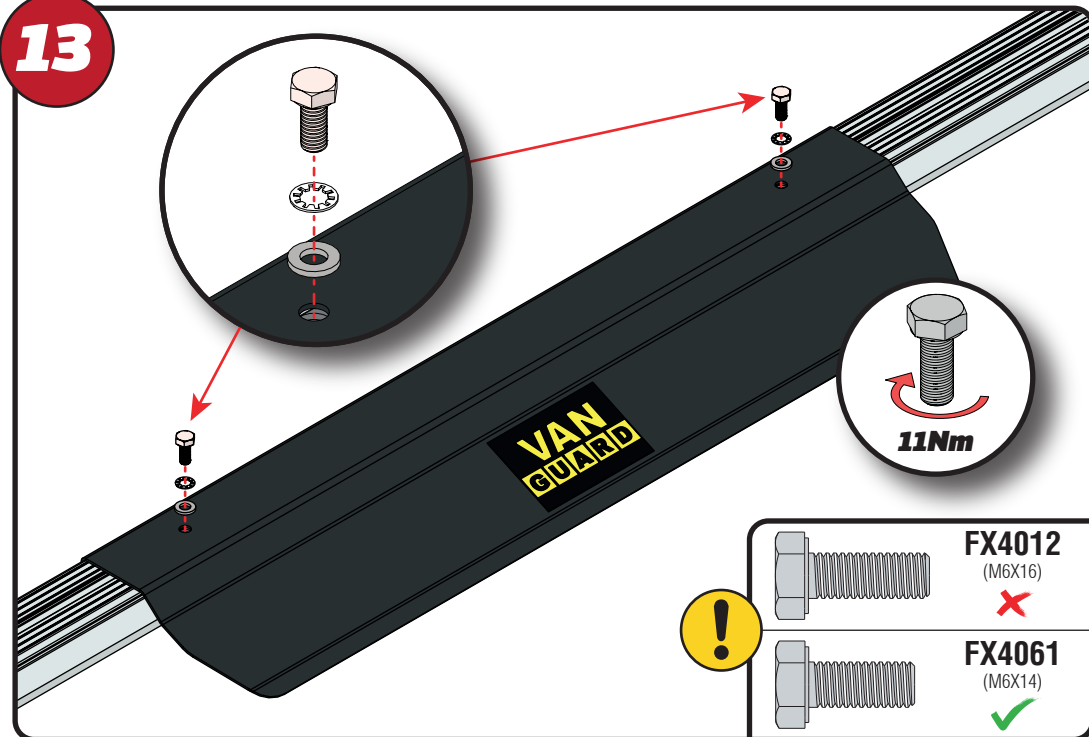


X2

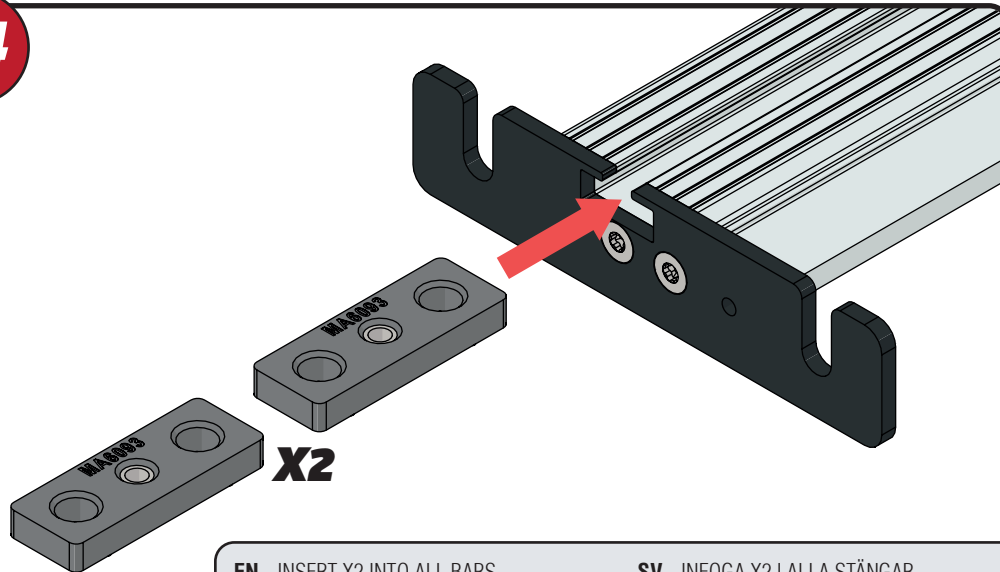


X1 !

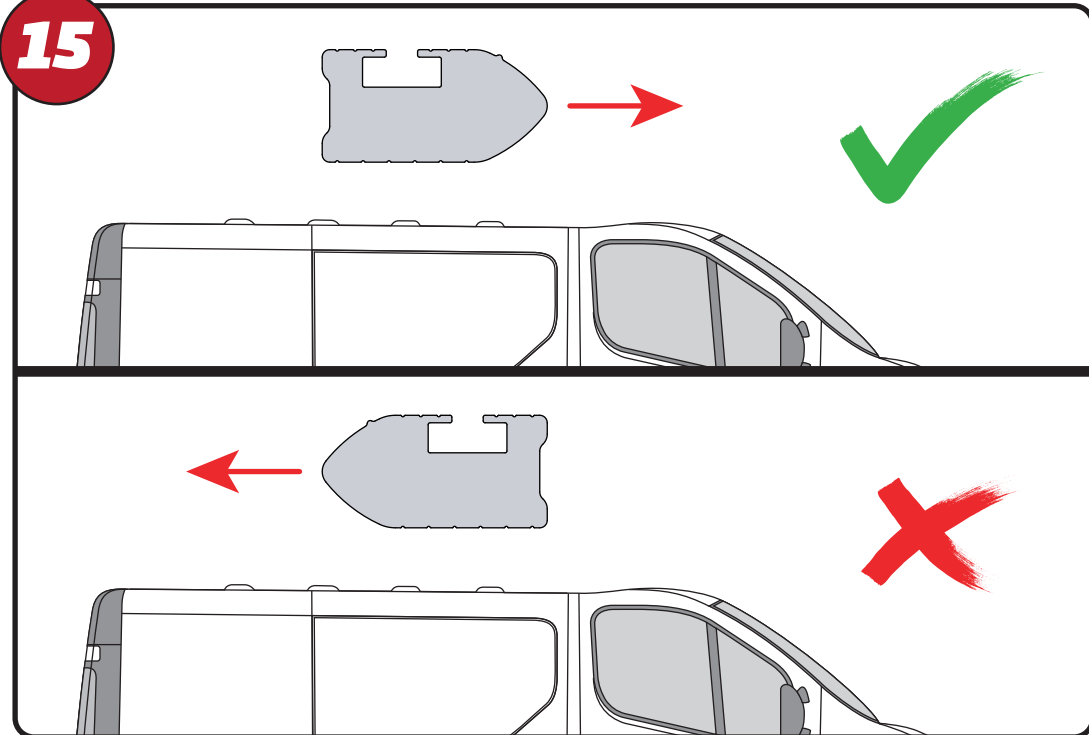


**12****13**

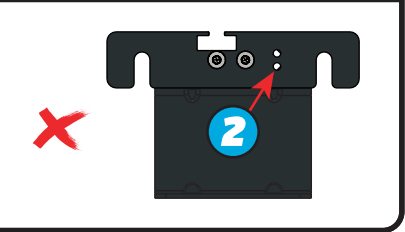
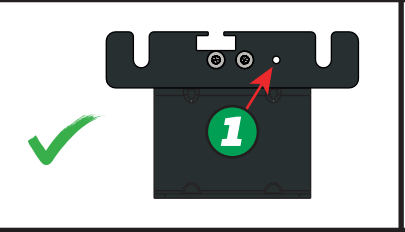
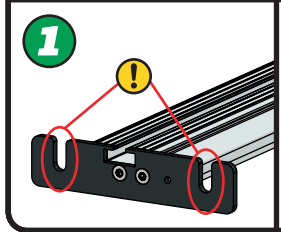
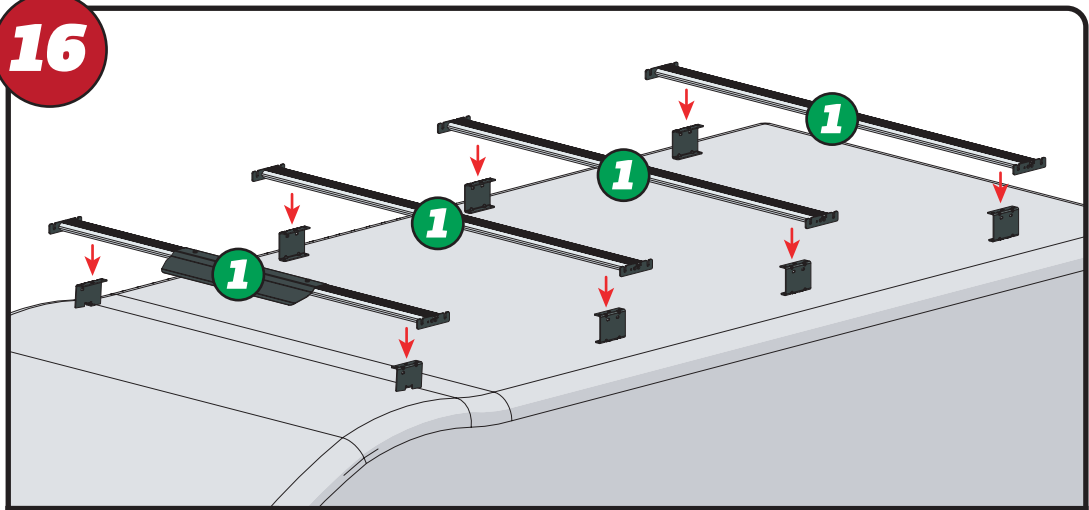
	<b>FX4012</b> (M6X16)	✗
	<b>FX4061</b> (M6X14)	✓

**14**

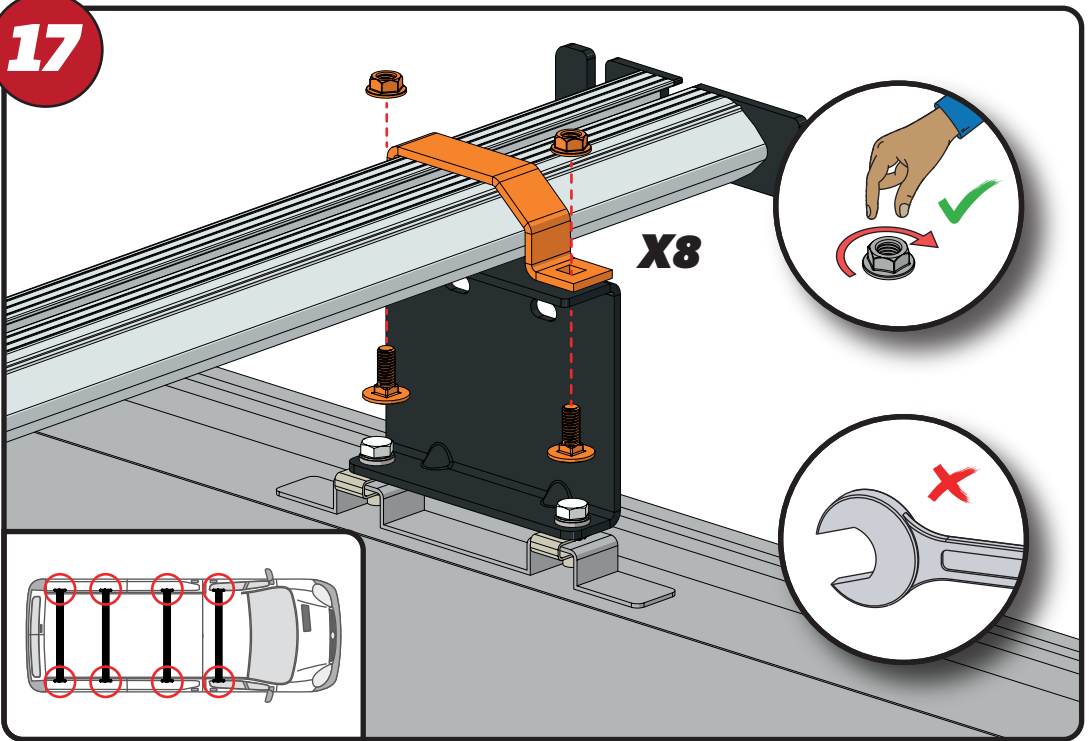
<b>EN</b> - INSERT X2 INTO ALL BARS	<b>SV</b> - INFOGA X2 I ALLA STÄNGAR
<b>DE</b> - X2 IN ALLE STANGEN EINFÜGEN	<b>DA</b> - INDSÆT X2 I ALLE STÆNGER
<b>FR</b> - INSÉRER X2 DANS TOUTES LES BARRES	<b>NO</b> - SETT X2 INN I ALLE TAKSTENGER
<b>NL</b> - PLAATS X2 IN ALLE BARS	<b>PL</b> - WSTAW X2 DO WSZYSTKICH PRĘTÓW
<b>ES</b> - INSERTAR X2 EN TODAS LAS BARRAS	<b>CS</b> - VLOŽTE X2 DO VŠECH TYČÍ
<b>IT</b> - INSERIRE X2 IN TUTTE LE BARRE	

**15**

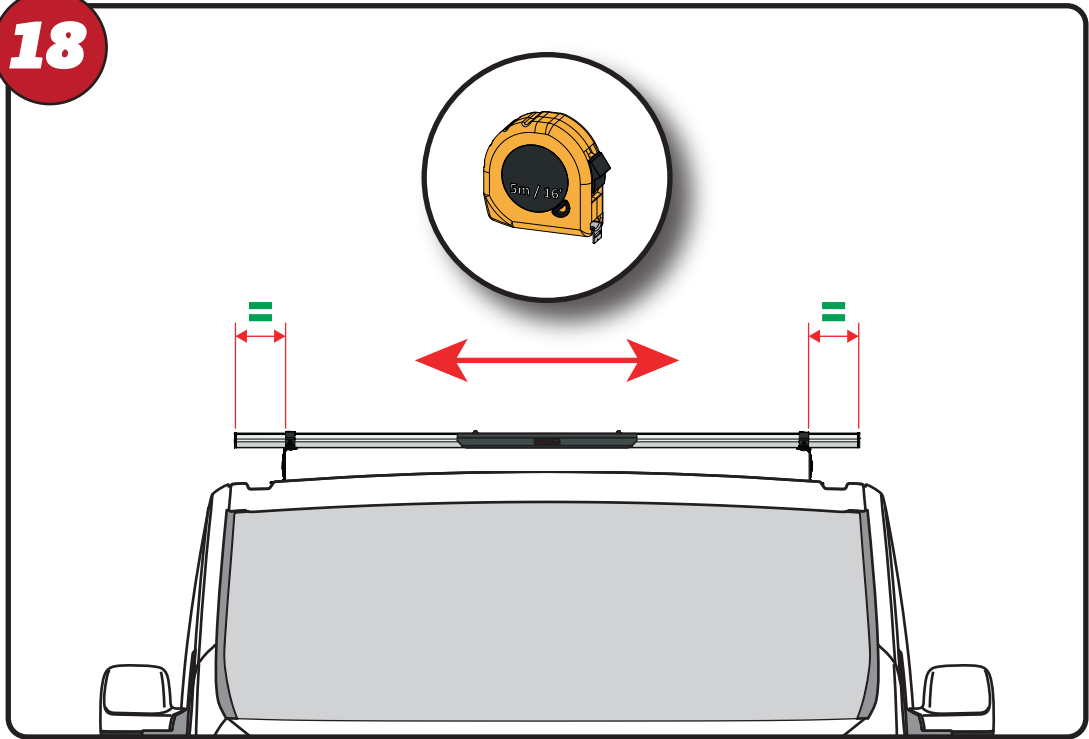
16



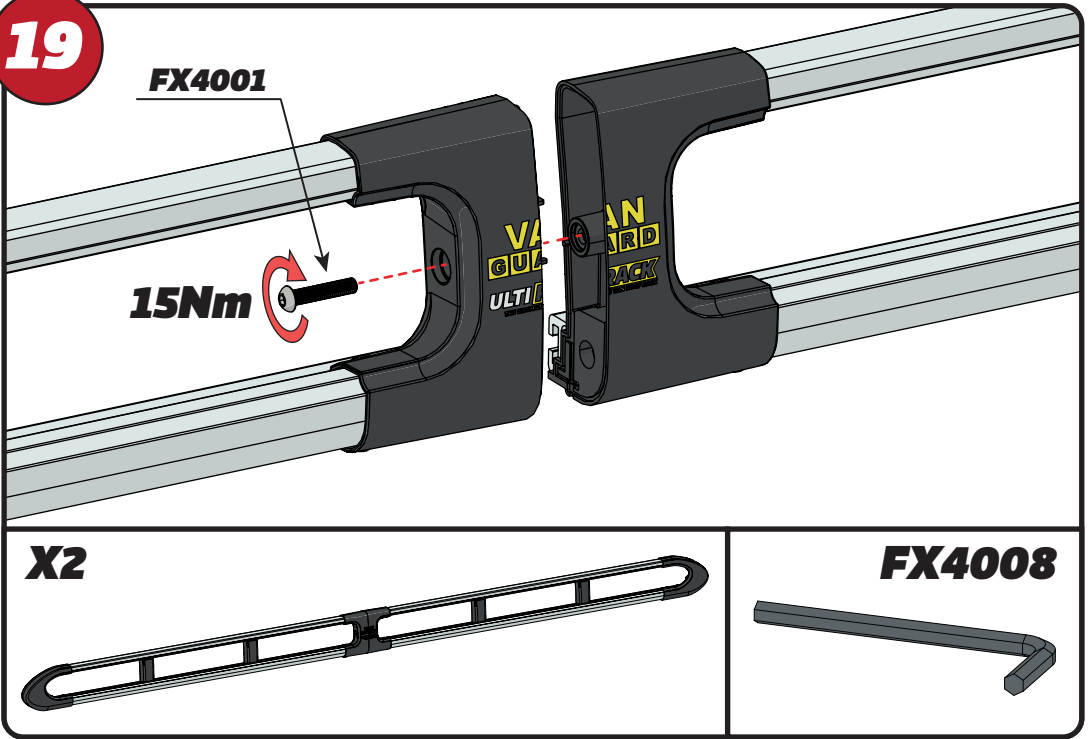
17



18

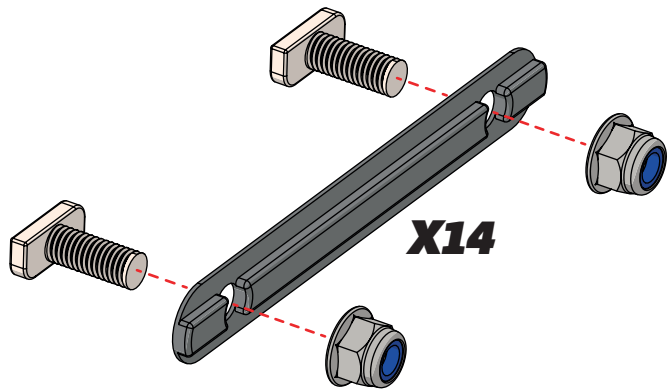


19

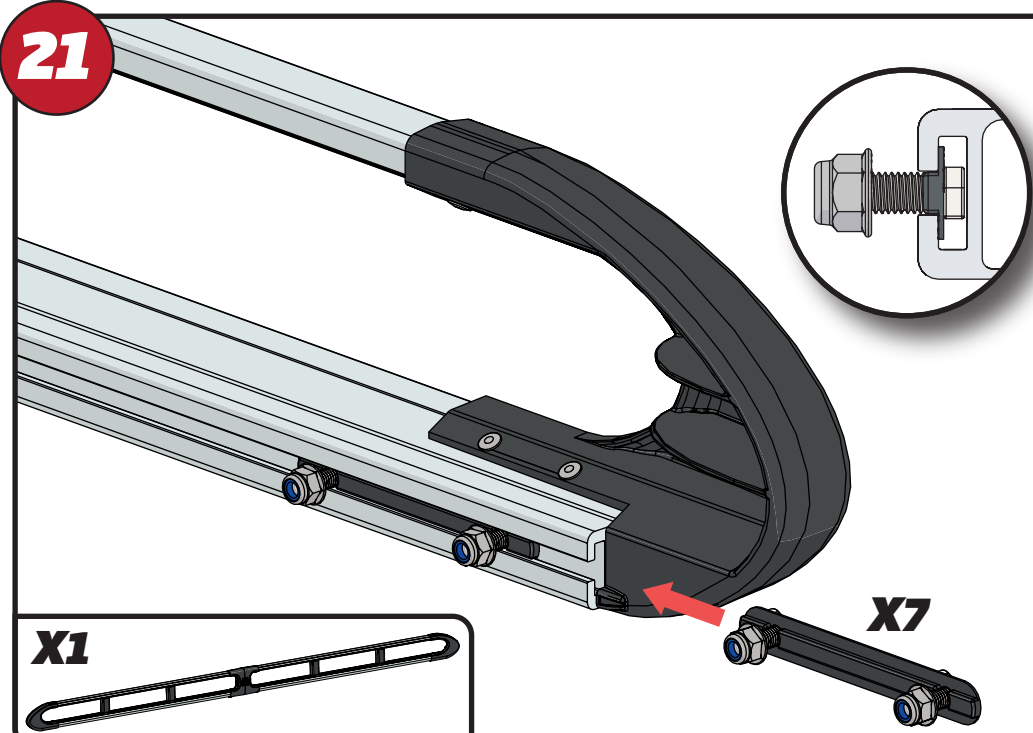




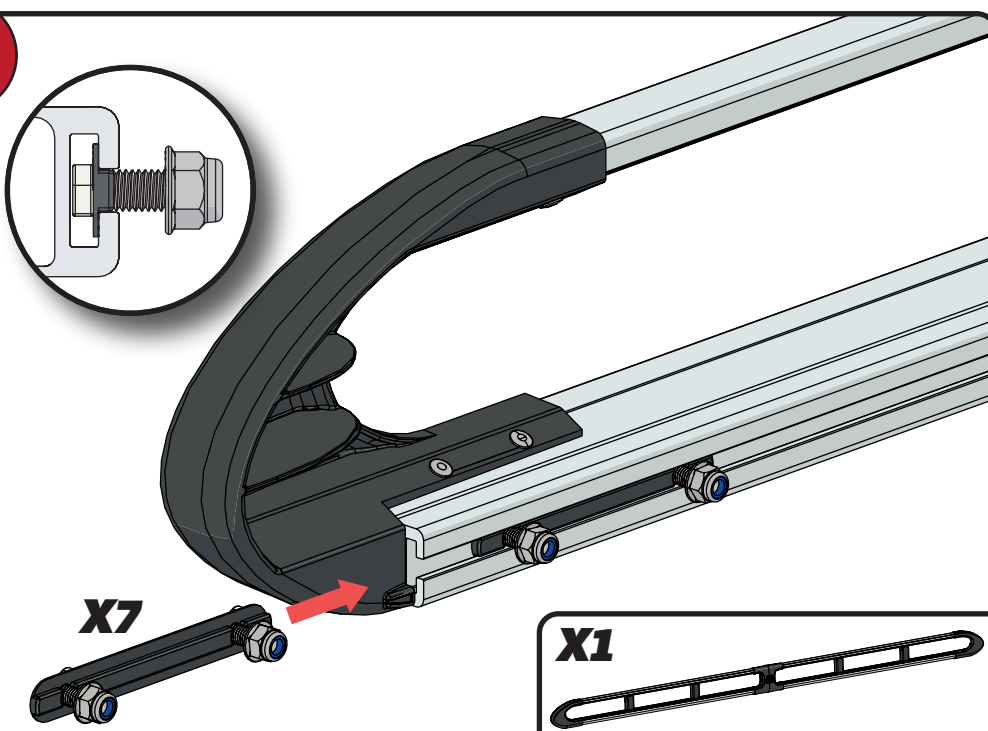
20



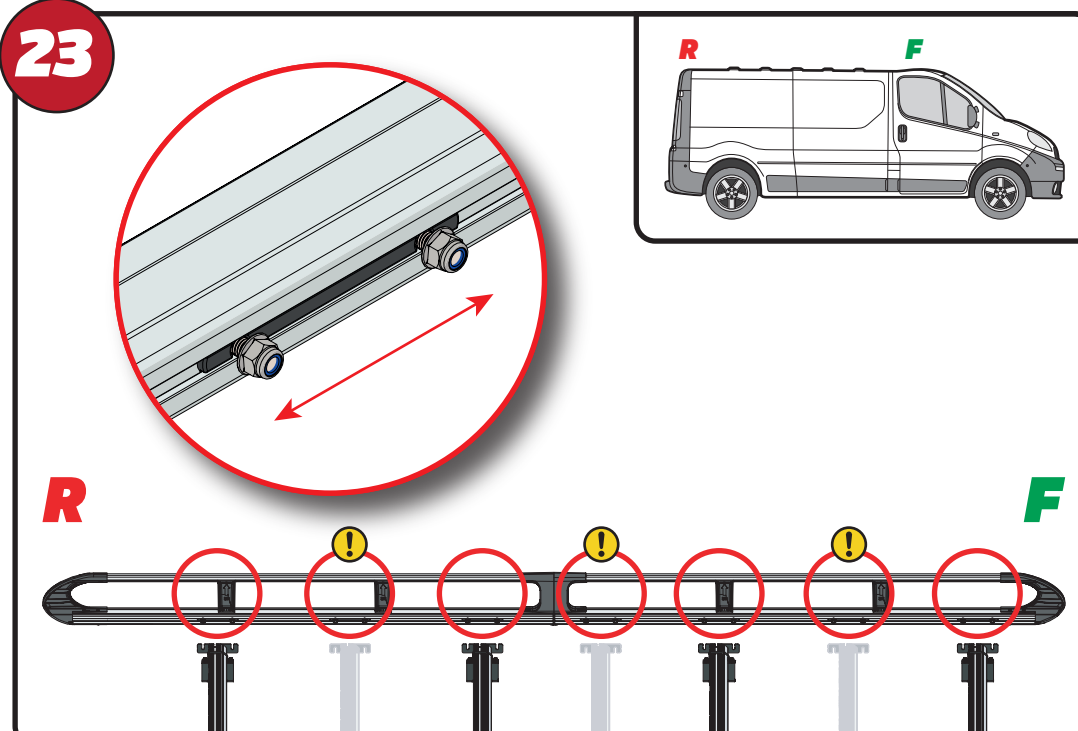
21



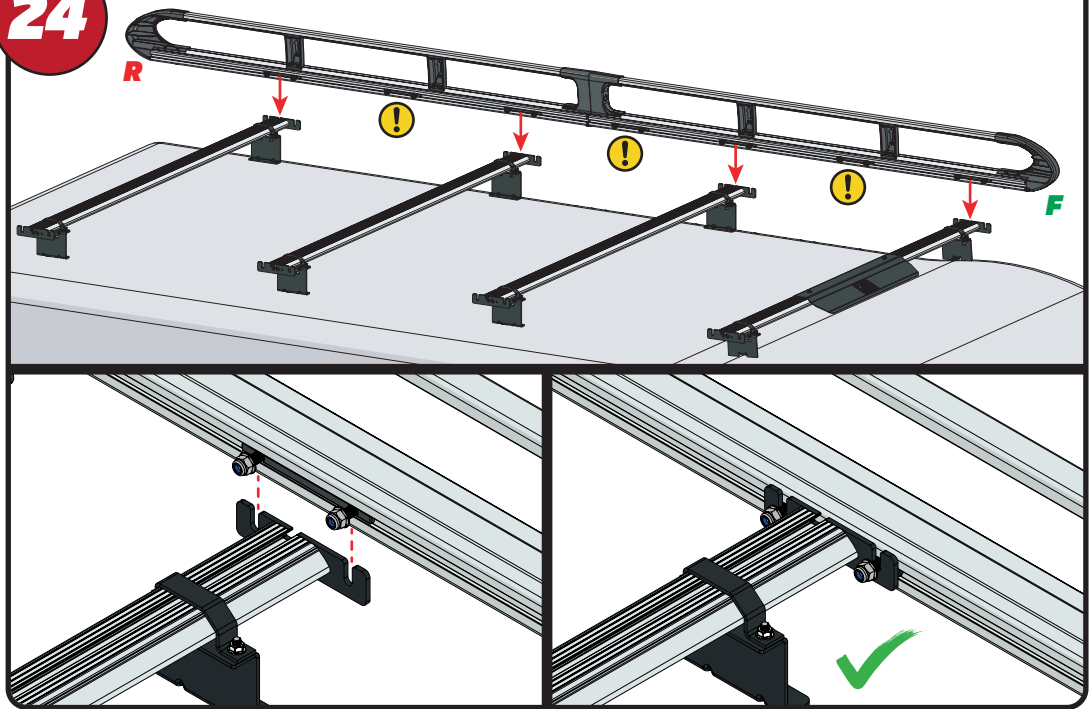
22



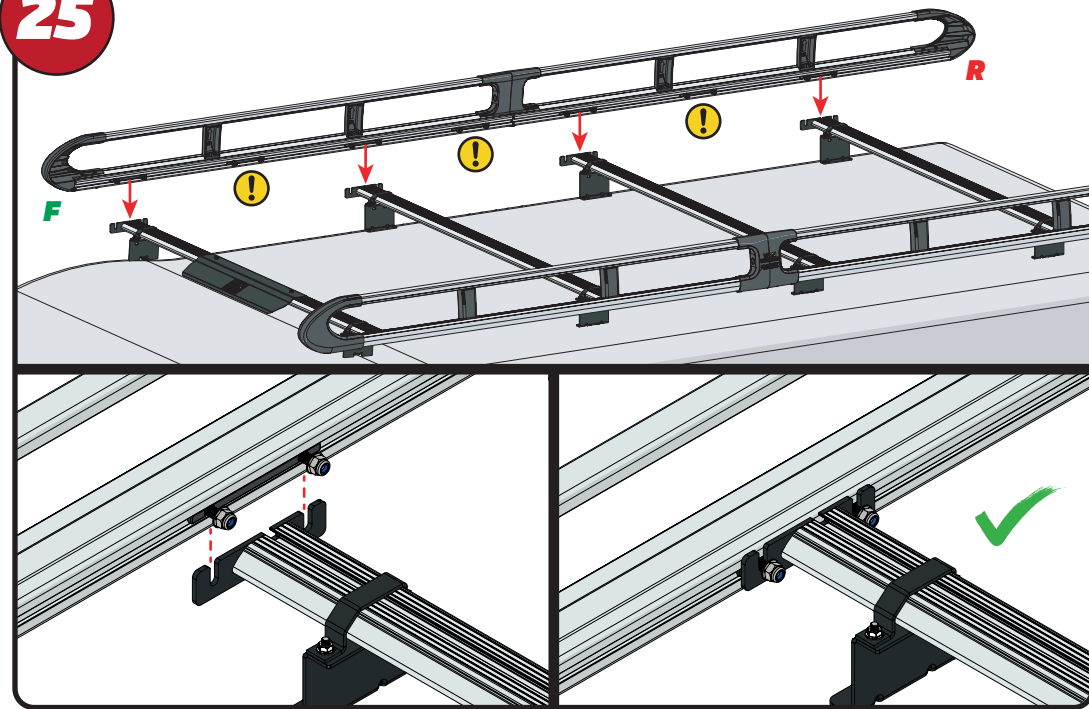
23



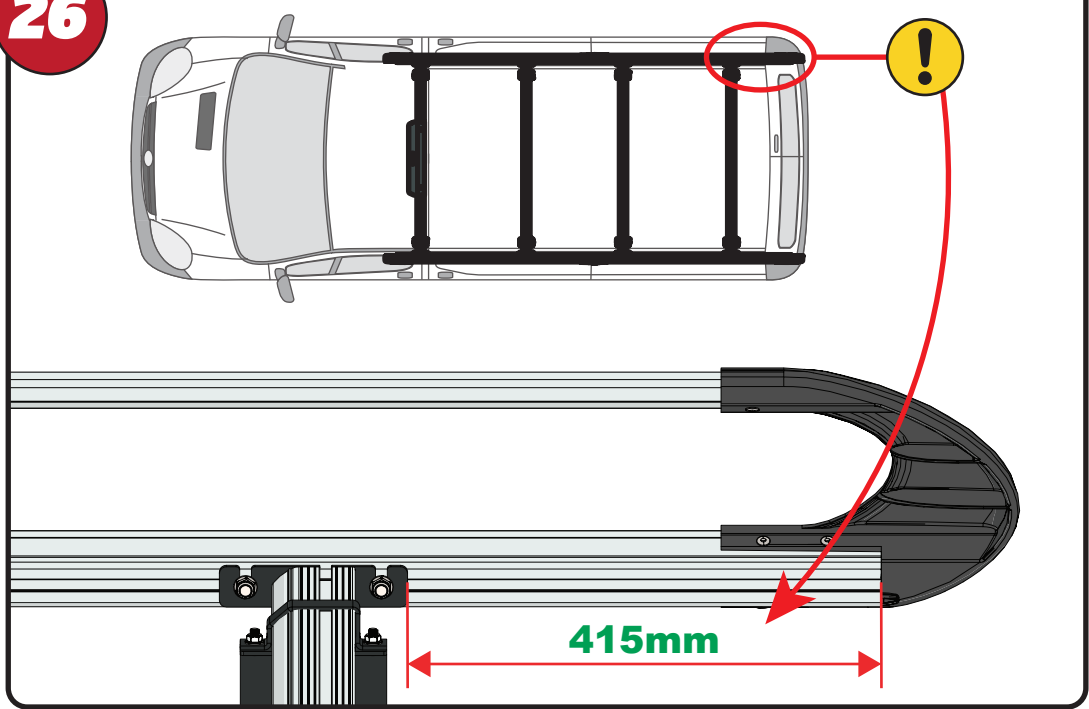
24



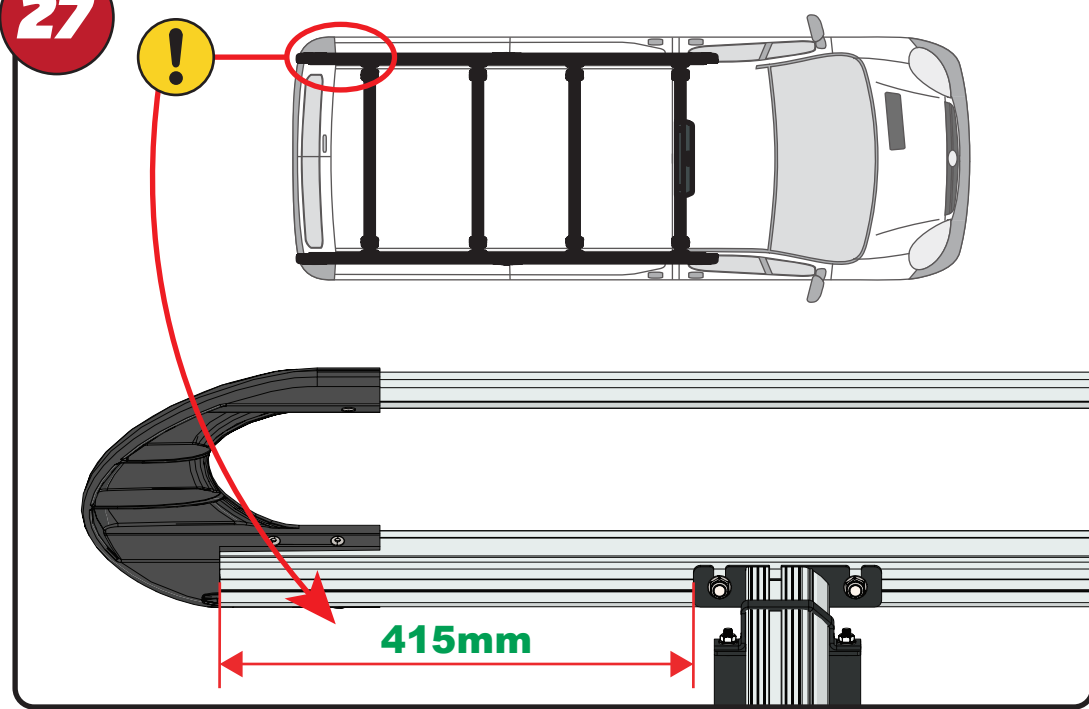
25

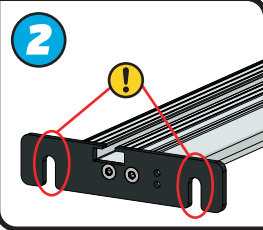
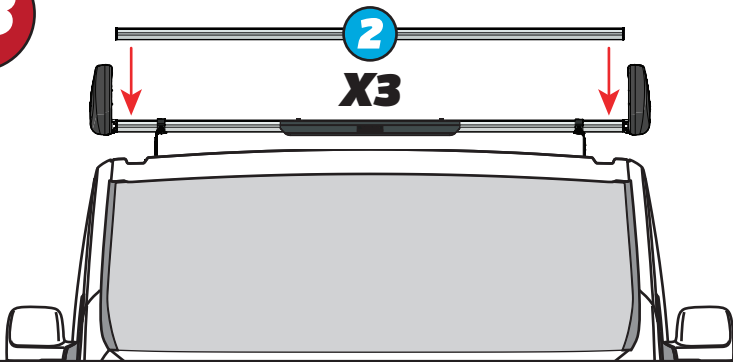


26

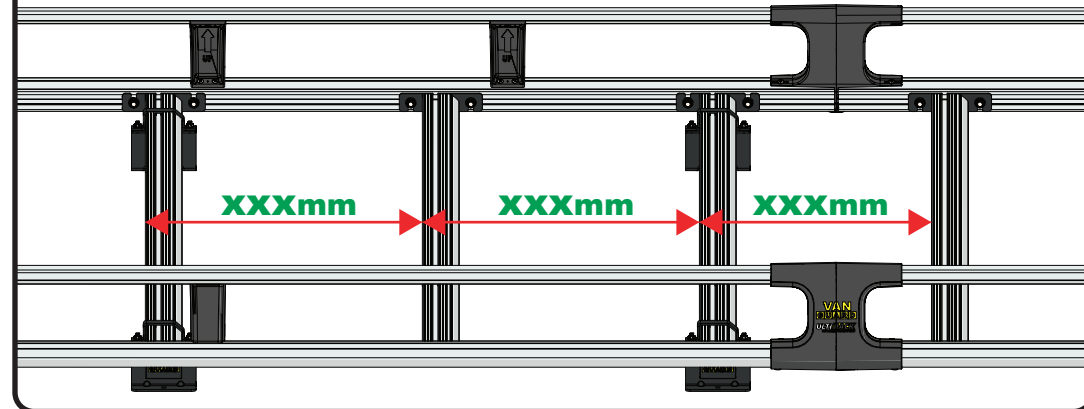
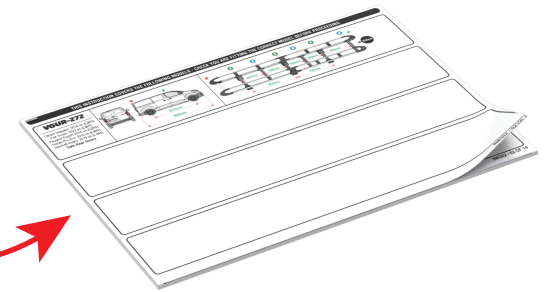
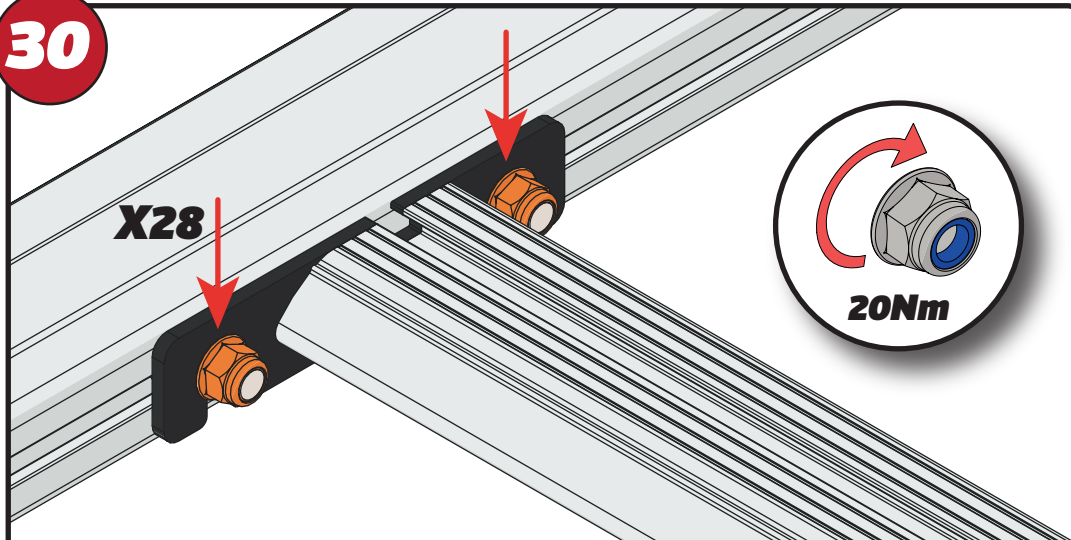


27



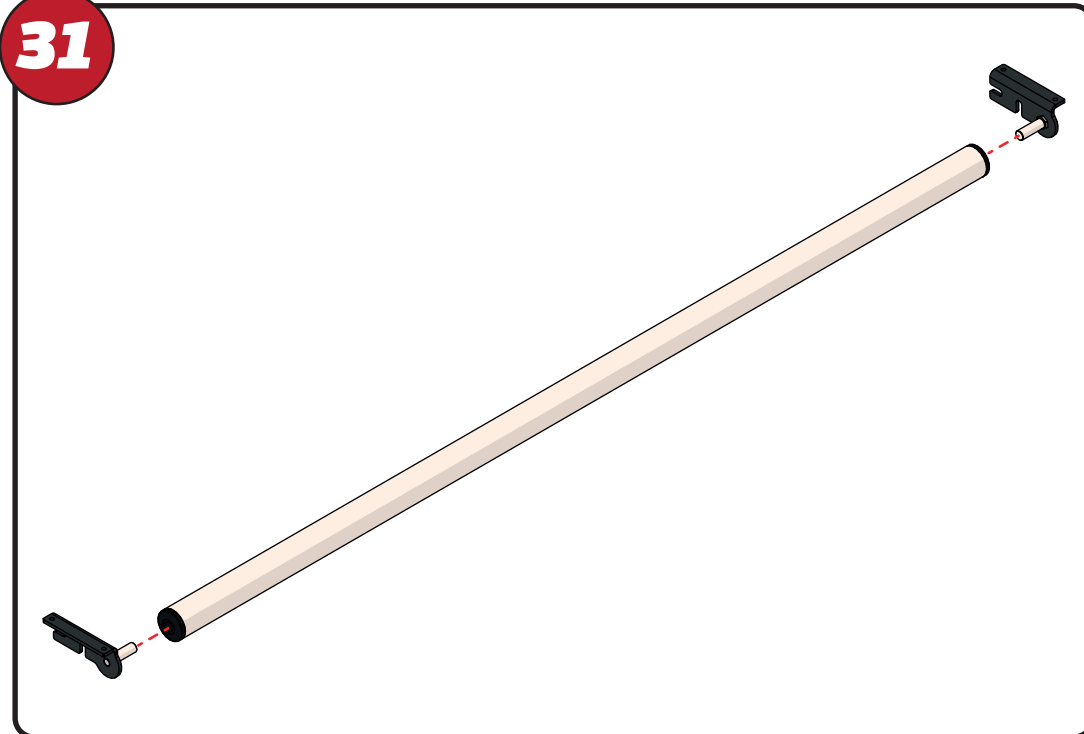
**28****29**

XXX =  
PAGE 2 OF 15

**30**

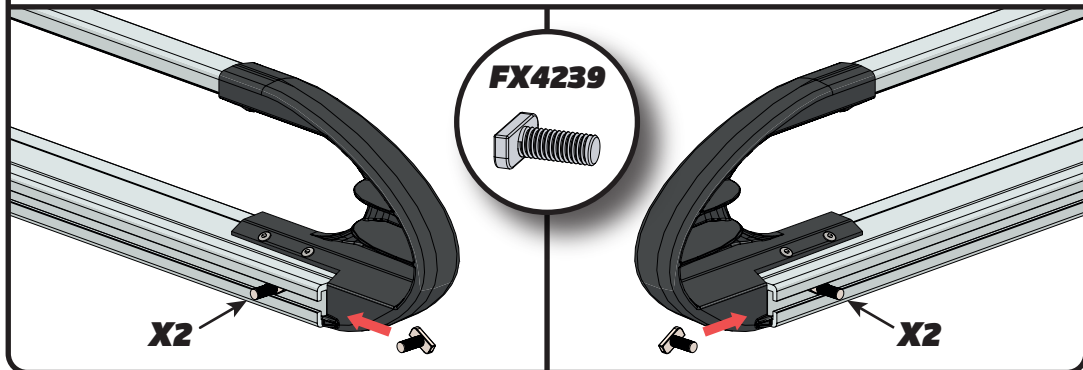
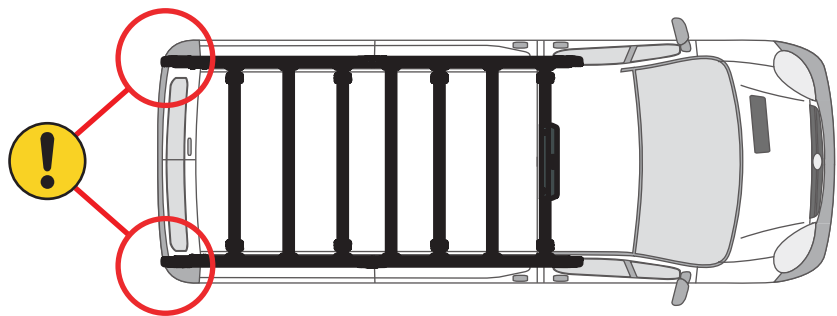
EN - TIGHTEN ALL OF THE CROSS BARS  
 DE - ALLE QUERSTANGEN FESTZIEHEN  
 FR - SERREZ TOUTES LES BARRES TRANSVERSALES  
 NL - DRAAI ALLE DWARSBALK VAN HET DAK AAN  
 ES - APRIETE TODAS LAS BARRAS TRANSVERSALES  
 IT - STRINGERE TUTTE LE BARRE TRASVERSALI

SV - SKRÙ UPP ALLA KORSSTANGAR  
 DA - SKRÙ ALLE TAGBØJLER OP  
 NO - SKRÙ OPP ALLE TVERRSTENGER  
 PL - DOKRĘCIĆ WSZYSTKIE POPRZECZKI  
 CS - VŠECHNY PŘÍČNÉ TYČE SEŠROUJTE

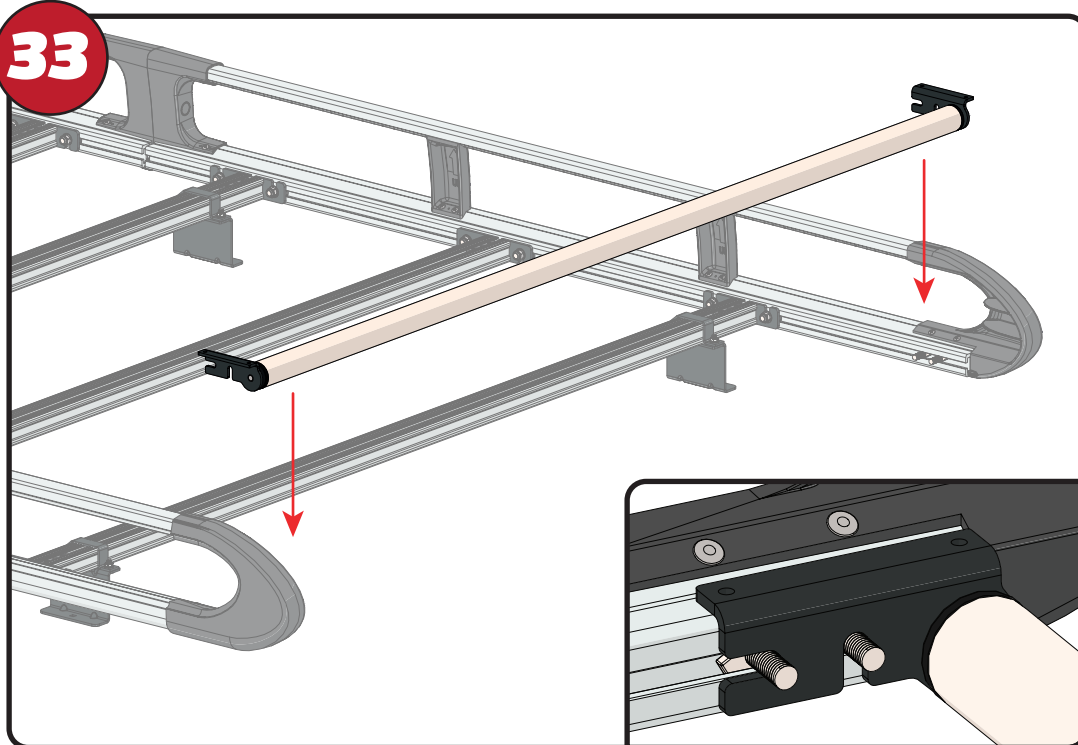
**31**



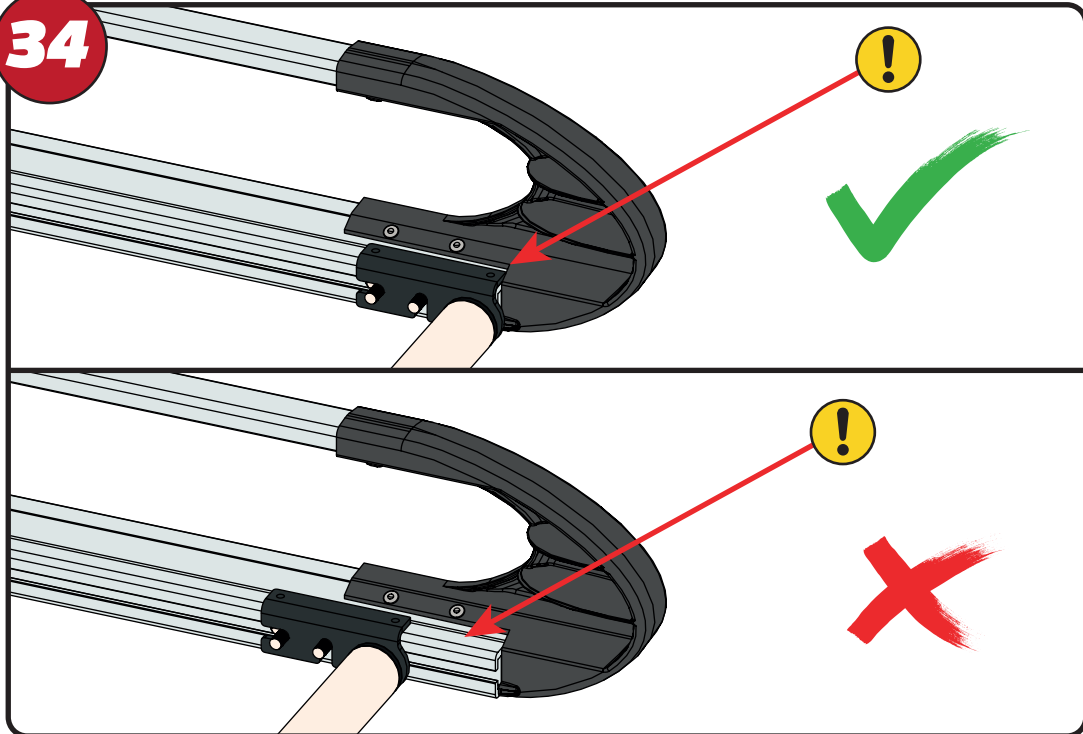
32



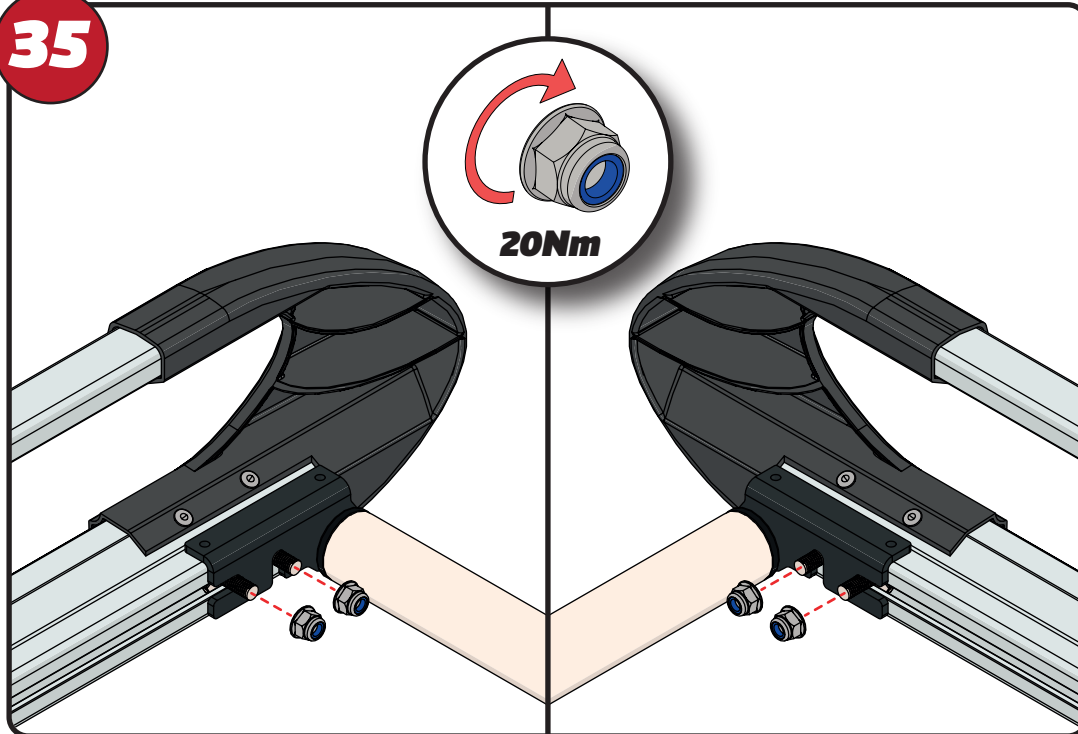
33



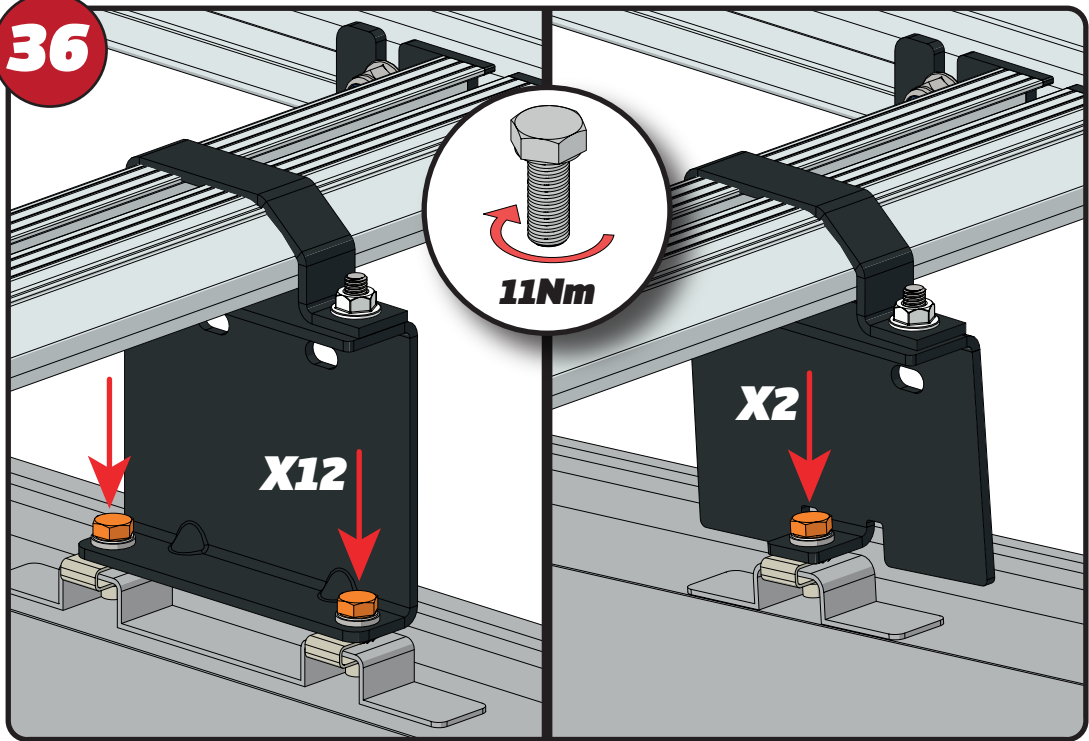
34



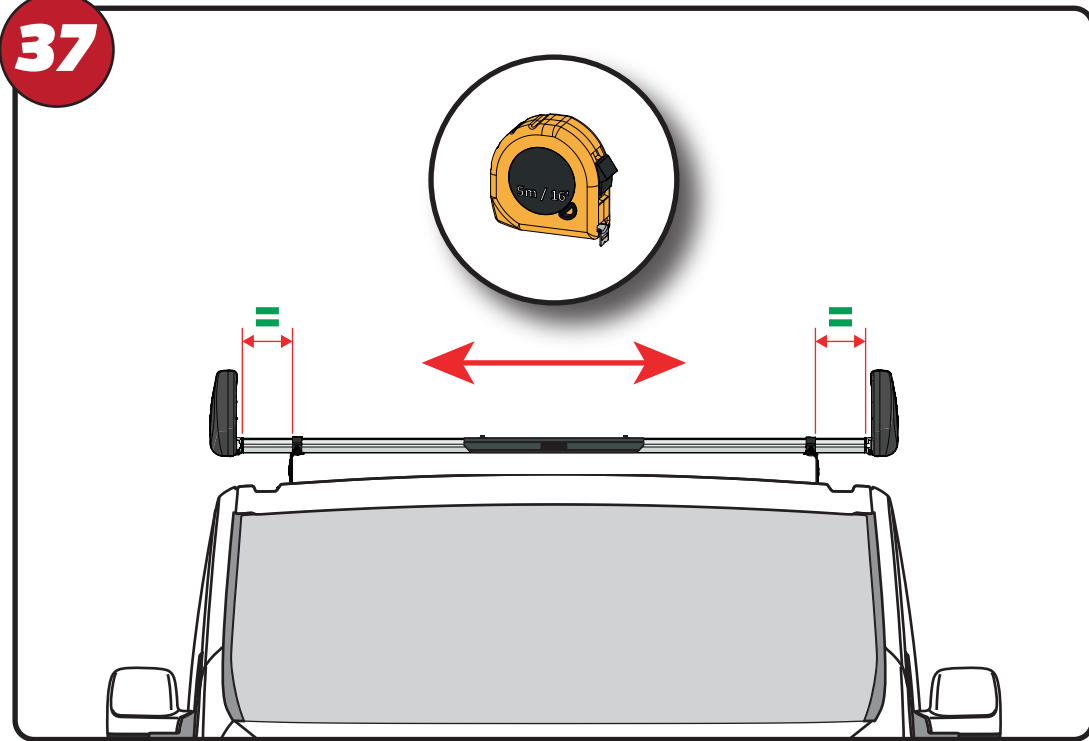
35



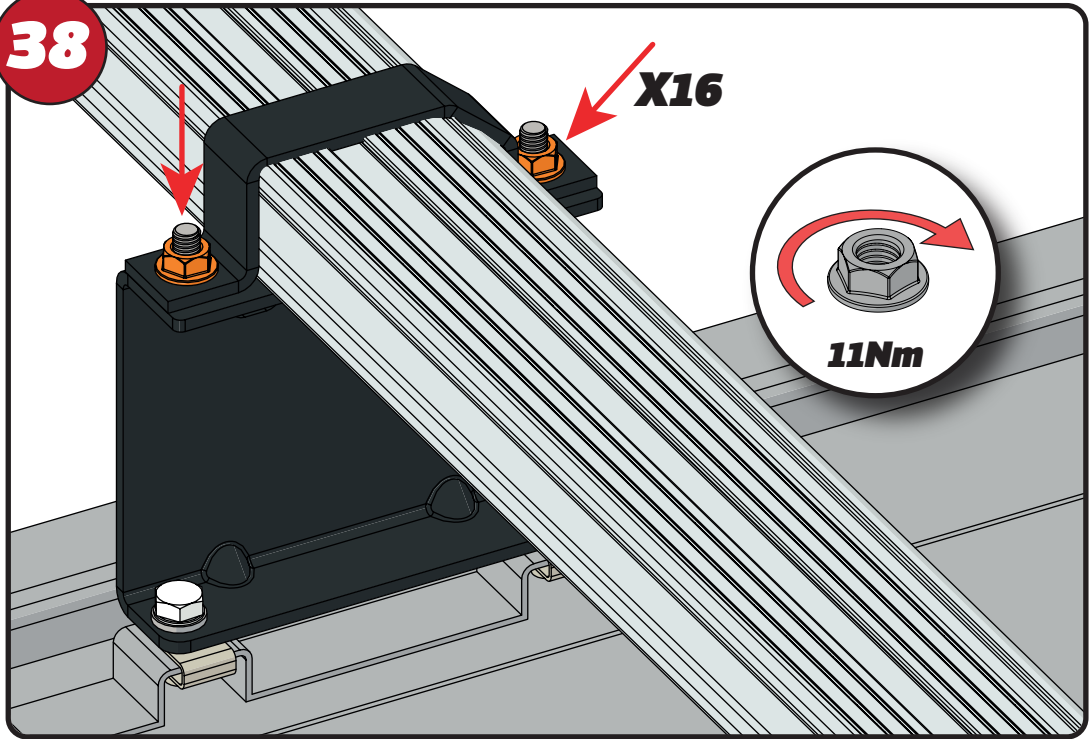
**36**



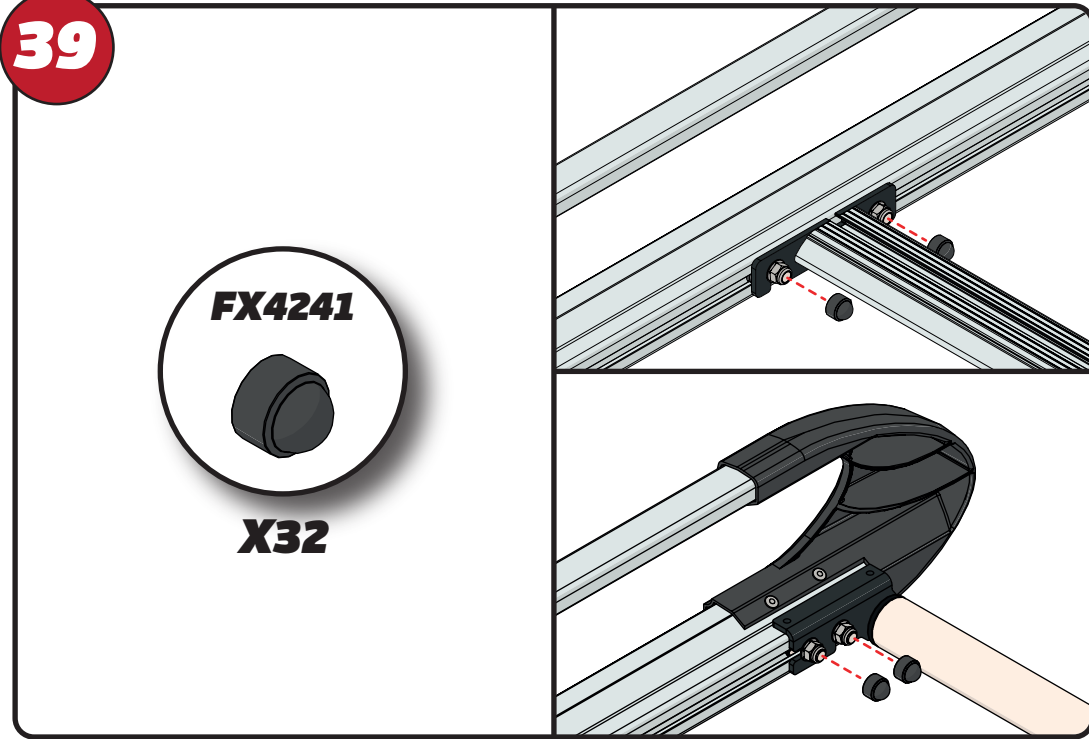
**37**



**38**

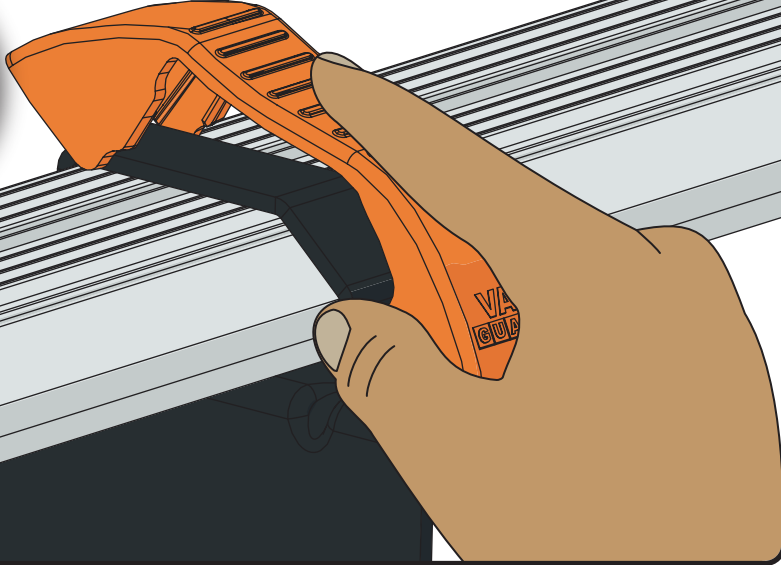


**39**



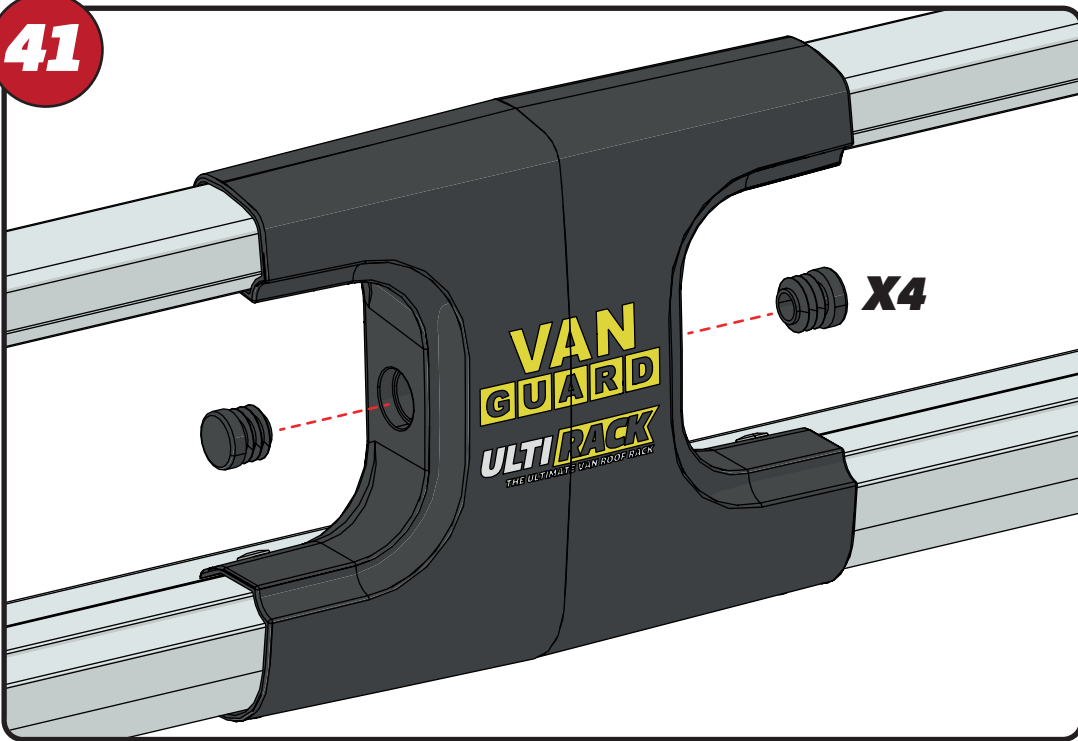
40

X8



41

X4

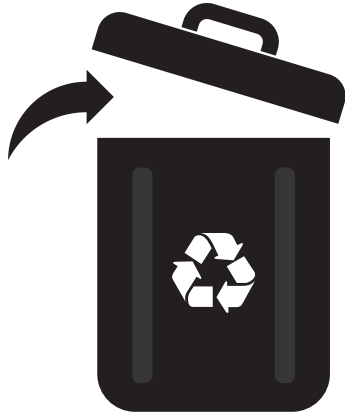
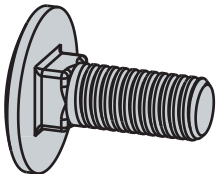


42

FX4016 X10  
(M6)



FX4042 X10  
(M6X16)



43

