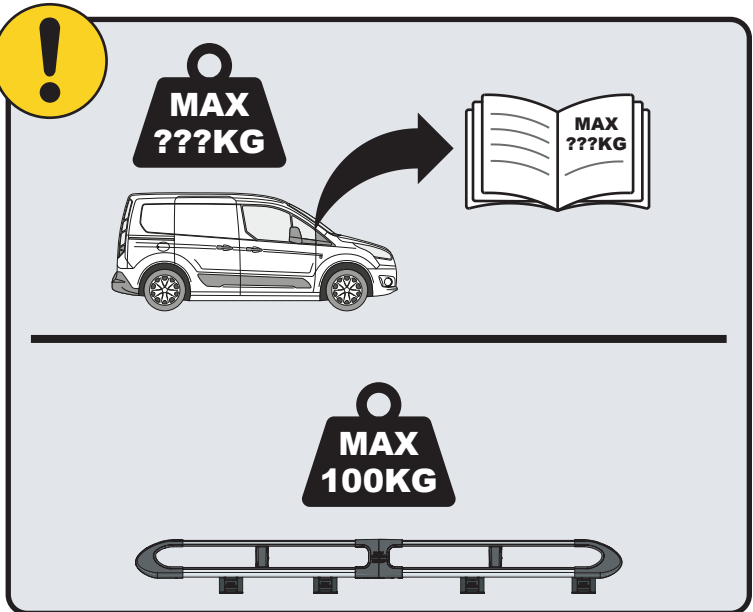
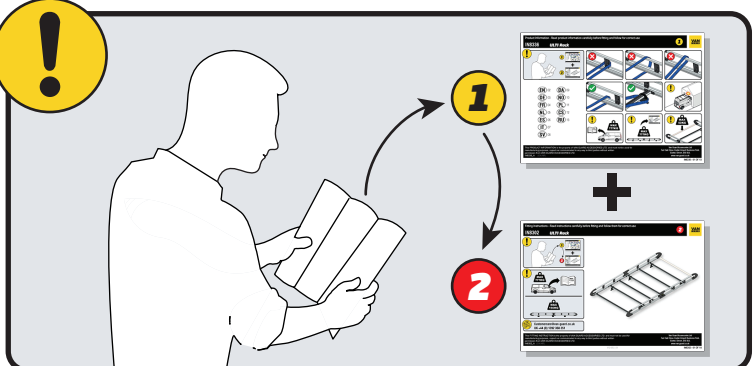


IN8325

ULTI Rack+



 Customercare@van-guard.co.uk
UK +44 (0) 1392 368 351

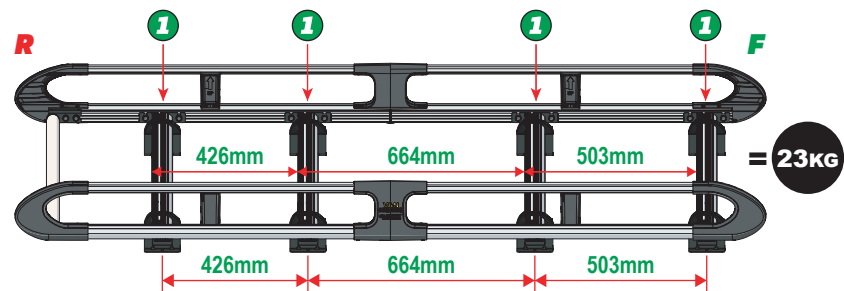
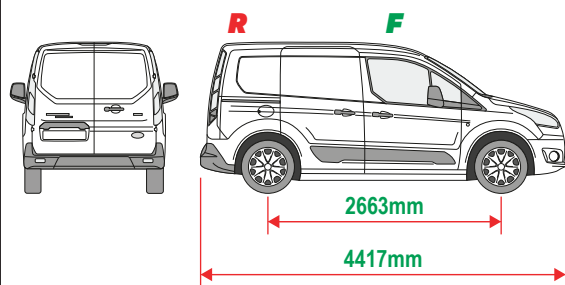


This FITTING INSTRUCTION is the property of VAN GUARD ACCESSORIES LTD. and must not be used for manufacturing purposes, copied nor communicated in any way to third parties without written permission from VAN GUARD ACCESSORIES LTD.
IN8325_B (CN:00356)

Van Guard Accessories Ltd
Fair Oak Close, Exeter Airport Business Park,
Exeter, Devon, EX5 2UL
www.van-guard.co.uk

VGUR-254

Ford Transit Connect: 2014-2024
L1H1 (SWB)
Twin Rear Doors



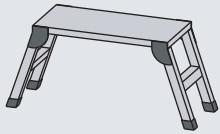
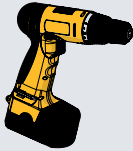
SUPPLIED COMPONENTS - CHECK ALL PARTS ARE PRESENT AND CORRECT BEFORE PROCEEDING (1 OF 2)

TOOLS REQUIRED

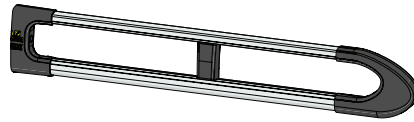
10MM X2



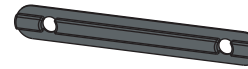
13MM X1



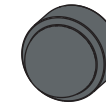
AS3531 X2
(2000 / A)



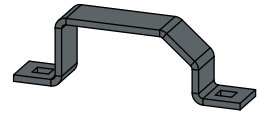
MA6118 X8



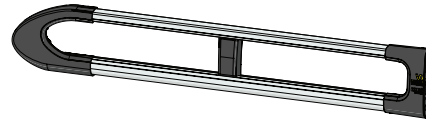
FX4241 X20



ME0203 X8



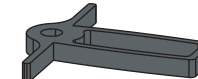
AS3530 X2
(2000 / B)



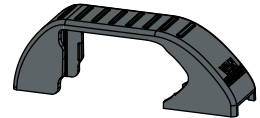
FX4008 X1



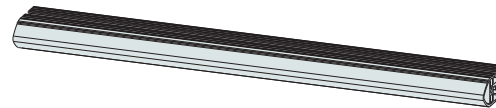
MA6145 X1



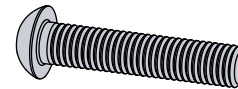
MA6065 X8



ME1626 X4
(1264mm)



FX4001 X2
(M8X40)



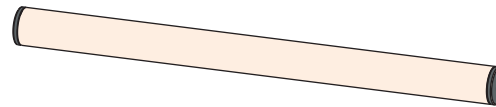
FX4235 X20
(M5X25)



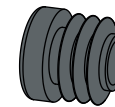
FX4016 X22
(M6)



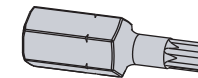
AS3158 X1
(1250mm)



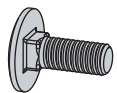
MA6007 X4



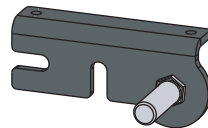
FX4248 X1
(T25)



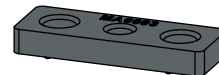
FX4042 X16
(M6X16)



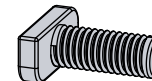
AS3590 X1



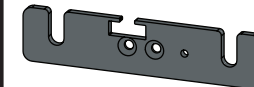
MA6093 X8



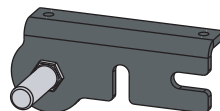
FX4239 X20
(M8X20)



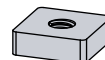
ME1620 X4



AS3591 X1



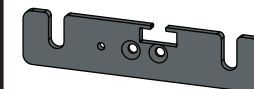
ME0316 X8



FX4240 X20
(M8)

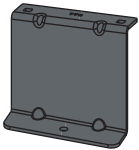


ME1621 X4

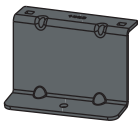


SUPPLIED COMPONENTS - CHECK ALL PARTS ARE PRESENT AND CORRECT BEFORE PROCEEDING (2 OF 2)

ME0779 X1



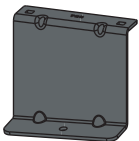
ME1083 X1



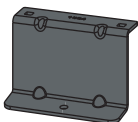
FX4014 X8



ME0780 X1



ME1084 X1

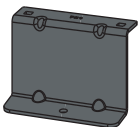


FX4015 X8

(M6X30)



ME0781 X1

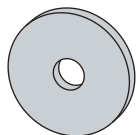


AS3149 X1

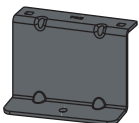


FX4037 X6

(M6)



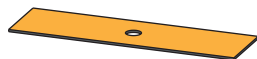
ME0782 X1



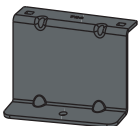
AS3150 X1



MA6018 X8



ME0784 X1

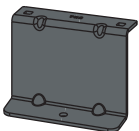


FX4010 X2

(M6)

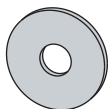


ME0785 X1



FX4013 X8

(M6)



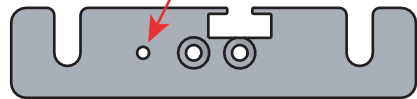
01

1L



X4

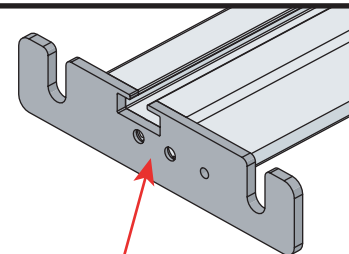
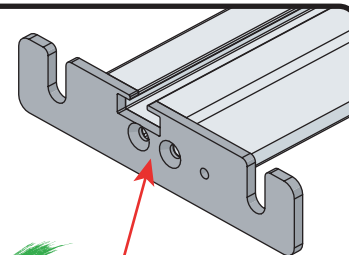
1R



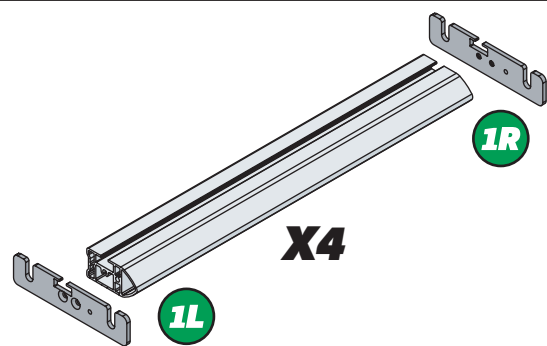
X4



02



01



1L

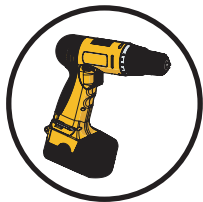
1R

X4

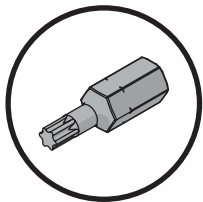
03

01

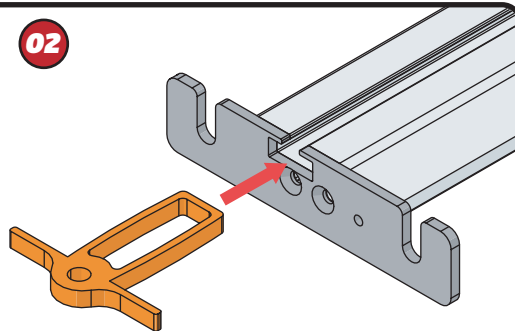
FX4248



+



02

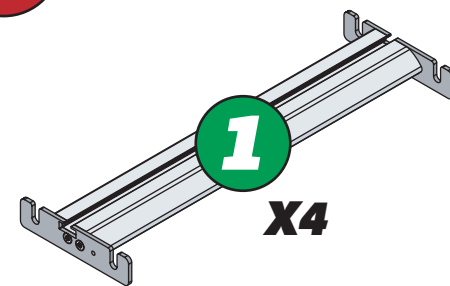


04

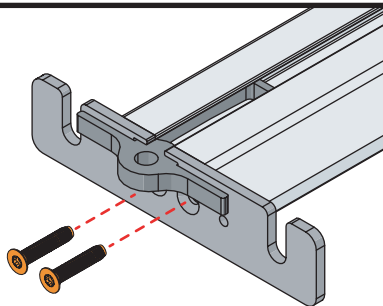


1

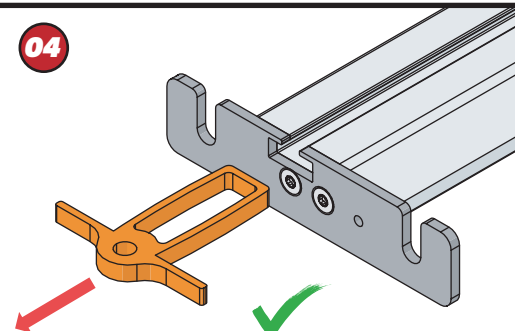
X4



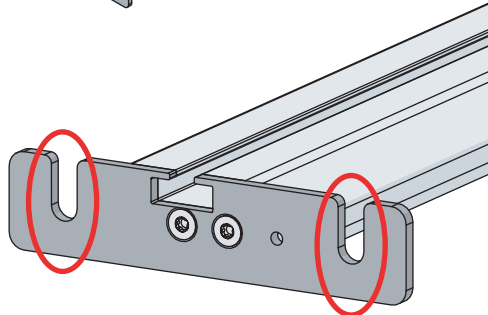
03

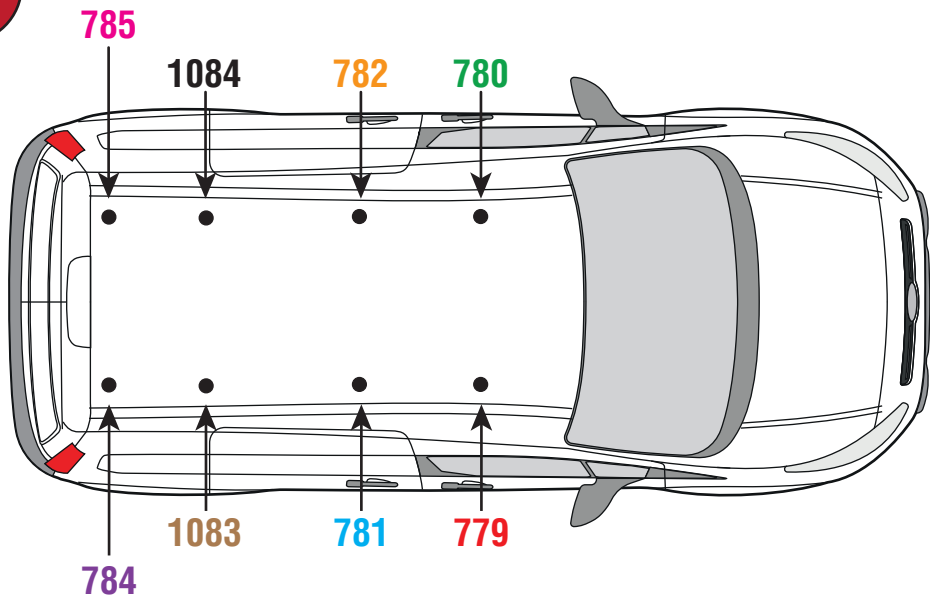


04

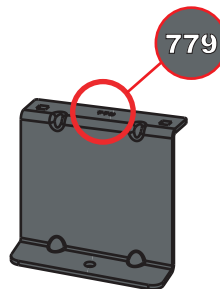


11Nm

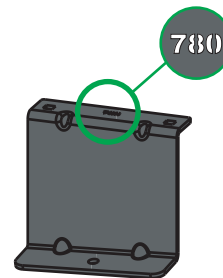


05

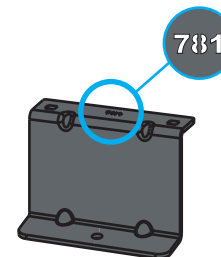
779



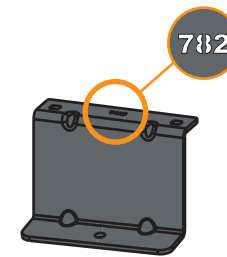
780



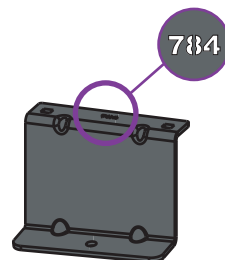
781



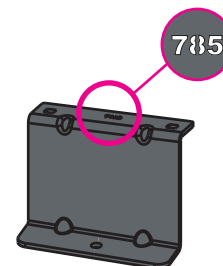
782



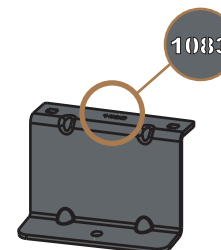
784



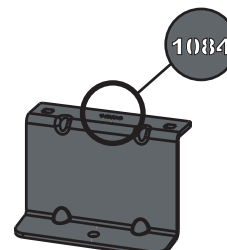
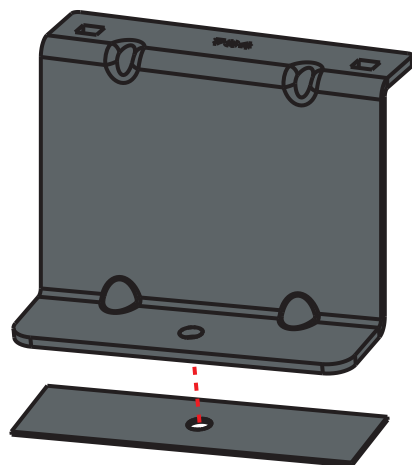
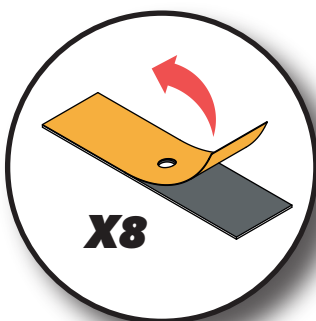
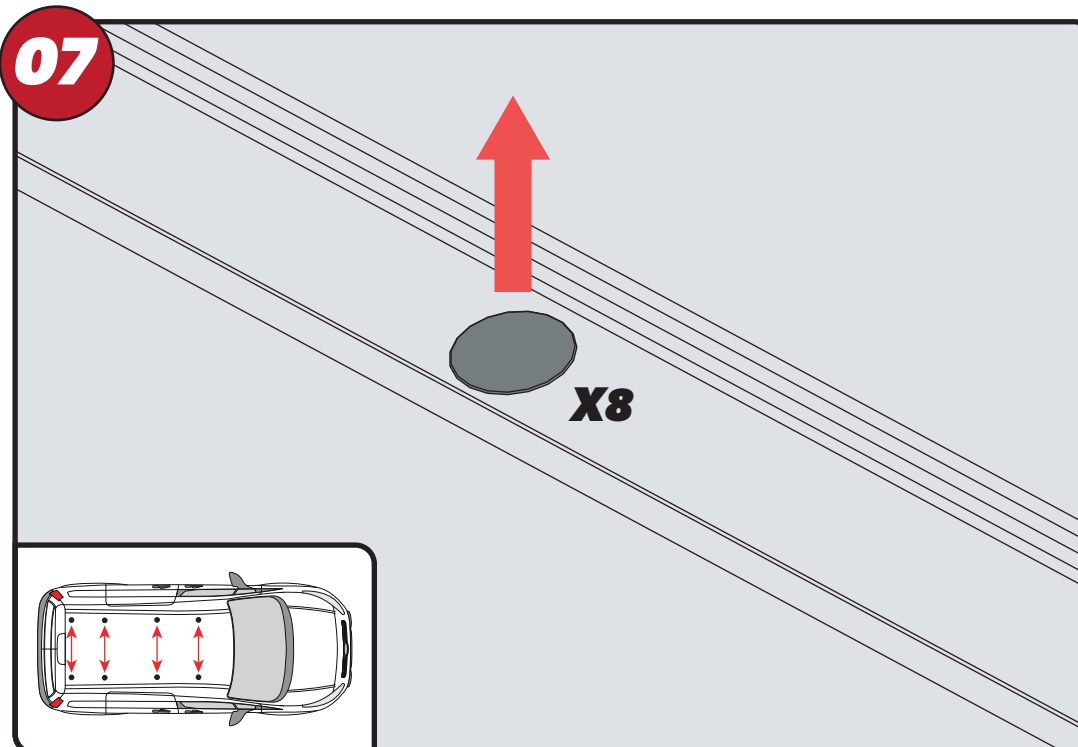
785



1083



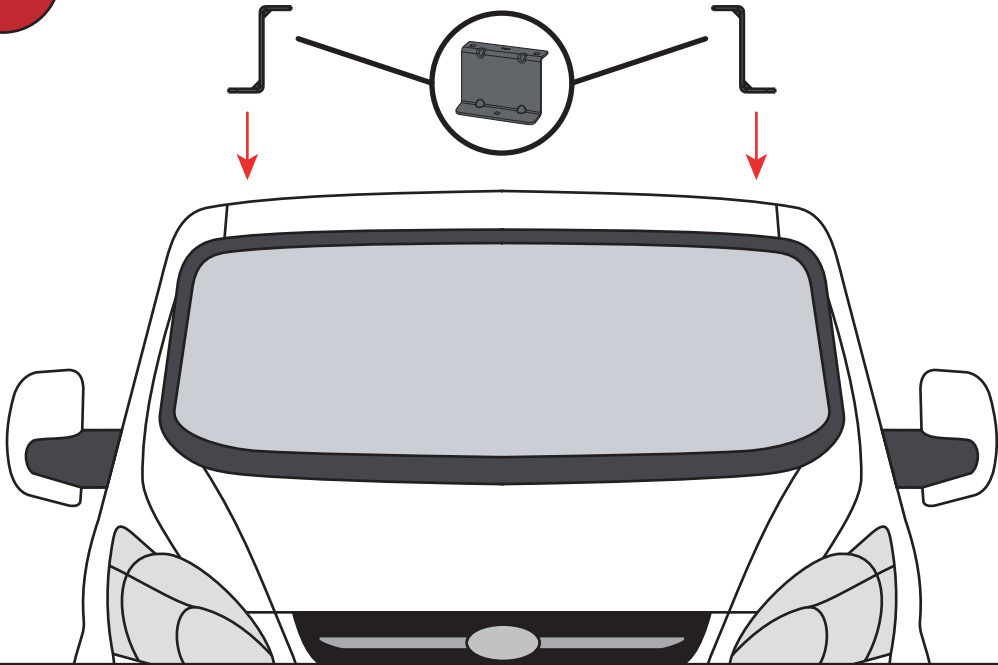
1084

**06****07**

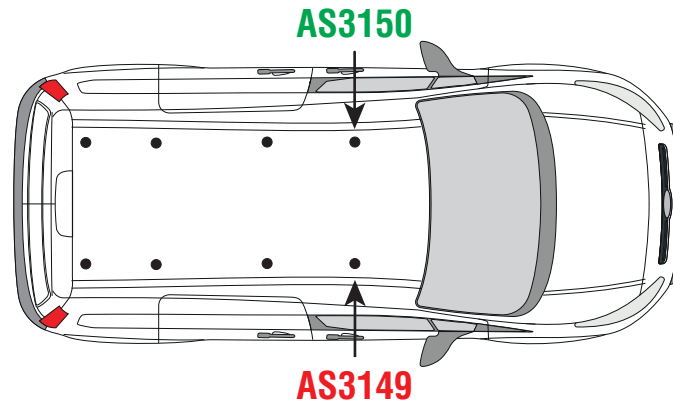
EN - STICK GASKETS TO ALL BRACKETS
 DE - KLEBEN SIE DIE DICHTUNG AN ALLEN HALTERUNGEN
 FR - COUSSINETS ADHÉSIFS À TOUS LES SUPPORTS
 NL - PLAK PAKKING OP ALLE BEUGELS
 ES - PEGA LAS ALMOHADILLAS A TODOS LOS SOPORTES
 IT - ADESIVI GUARNIZIONI A TUTTE LE STAFFE

SV - FÄST GUMMI PÅ ALLA FÄSTEN
 DA - KLÆB GUMMI PÅ ALLE BESLAG
 NO - PLIST GUMMI PÅ ALLE BRAKKETER
 PL - NAKLEJ USZCZELKI DO WSZYSTKICH WSPORNIKÓW
 CS - PŘILEPTE TĚSNĚNÍ NA VŠECHNY DRŽÁKY

08



09



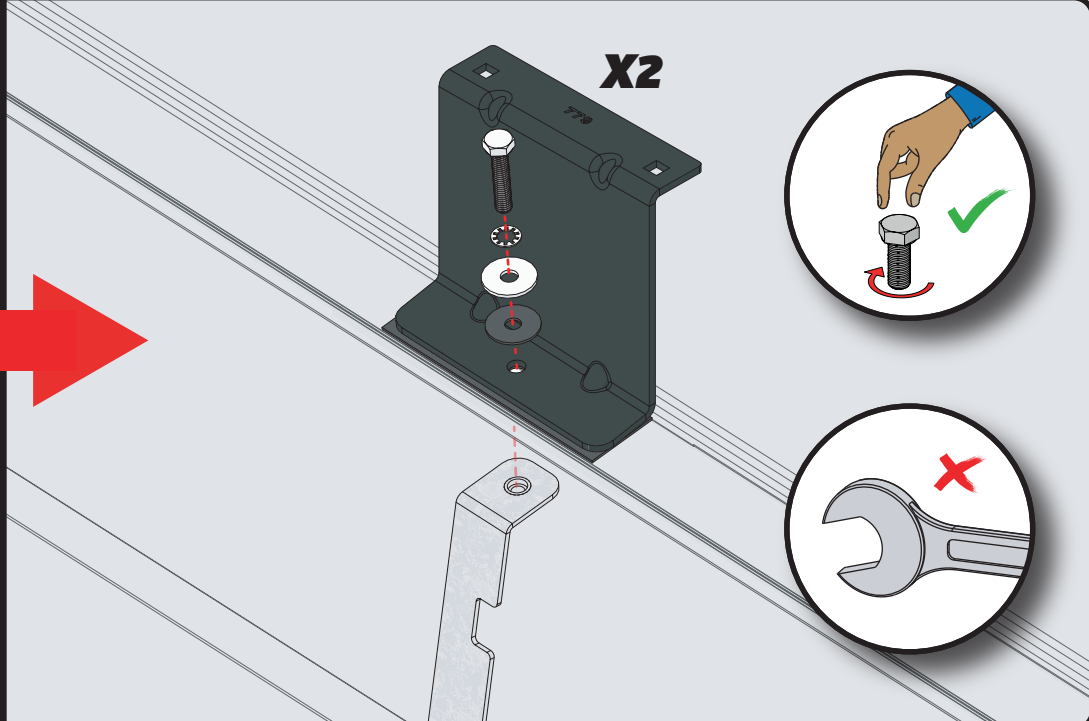
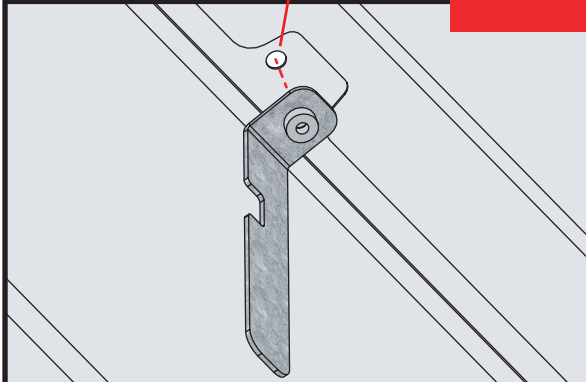
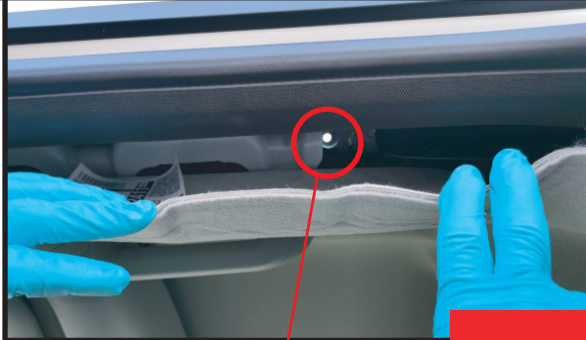
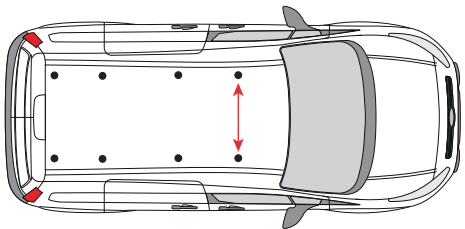
AS3150

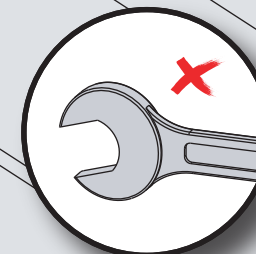
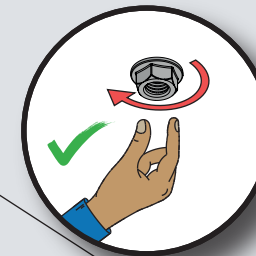
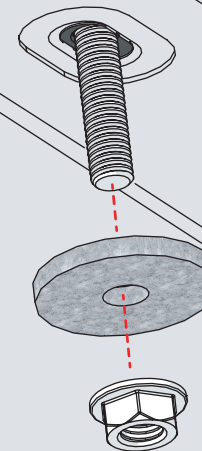
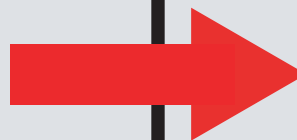
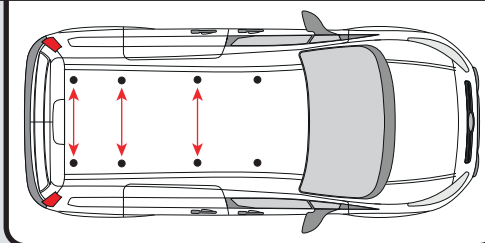
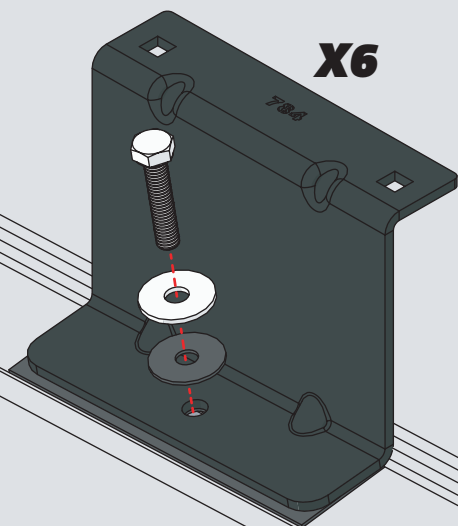
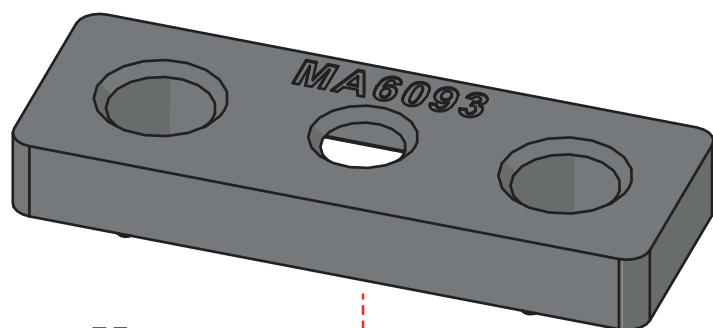
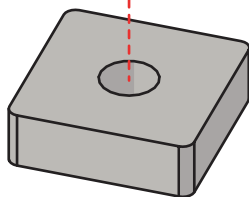
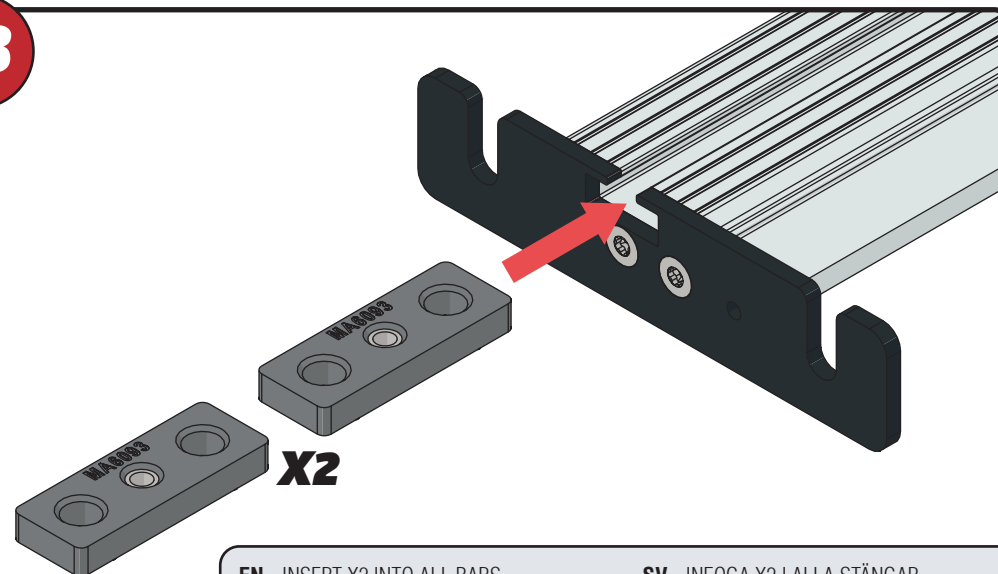


AS3149



10

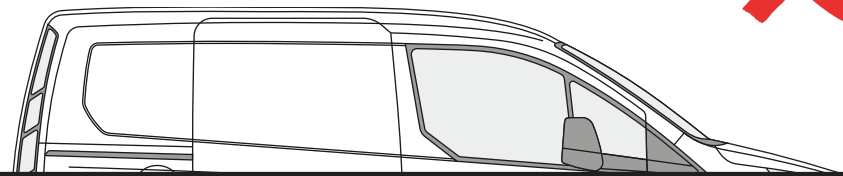
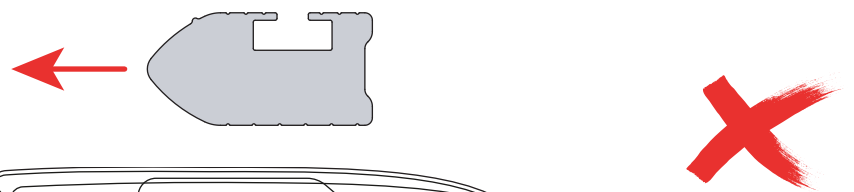
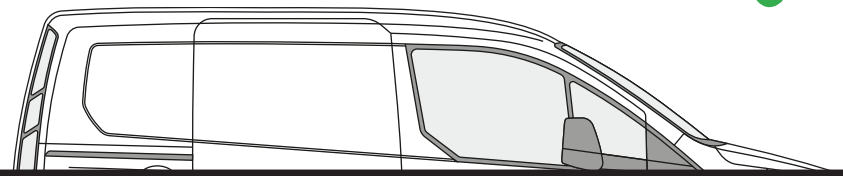


11**12****X8****13****X2**

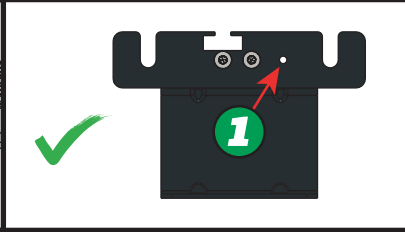
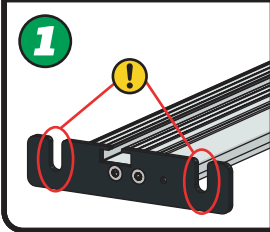
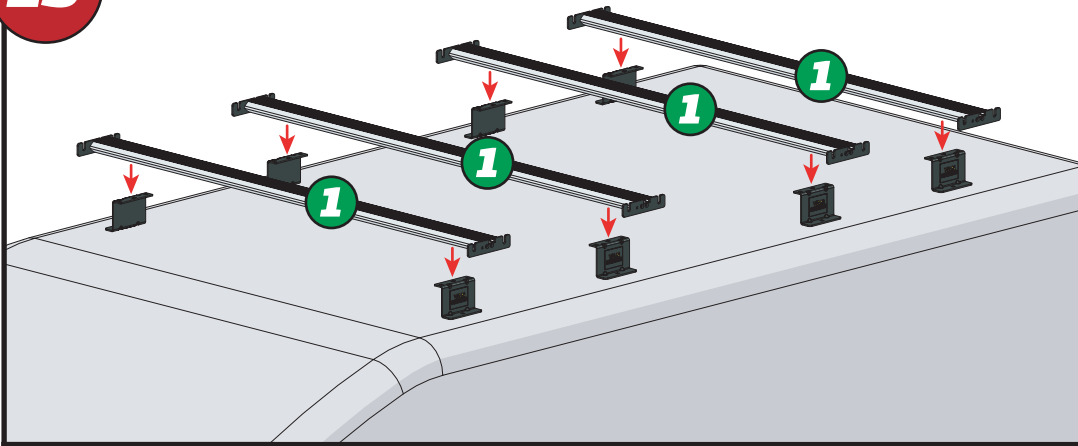
EN - INSERT X2 INTO ALL BARS
 DE - X2 IN ALLE STANGEN EINFÜGEN
 FR - INSÉRER X2 DANS TOUTES LES BARRES
 NL - PLAATS X2 IN ALLE BARS
 ES - INSERTAR X2 EN TODAS LAS BARRAS
 IT - INSERIRE X2 IN TUTTE LE BARRE

SV - INFOGA X2 I ALLA STÄNGAR
 DA - INDSÆT X2 I ALLE STÆNGER
 NO - SETT X2 INN I ALLE TAKSTENGER
 PL - WSTAW X2 DO WSZYSTKICH PRĘTÓW
 CS - VLOŽTE X2 DO VŠECH TYČÍ

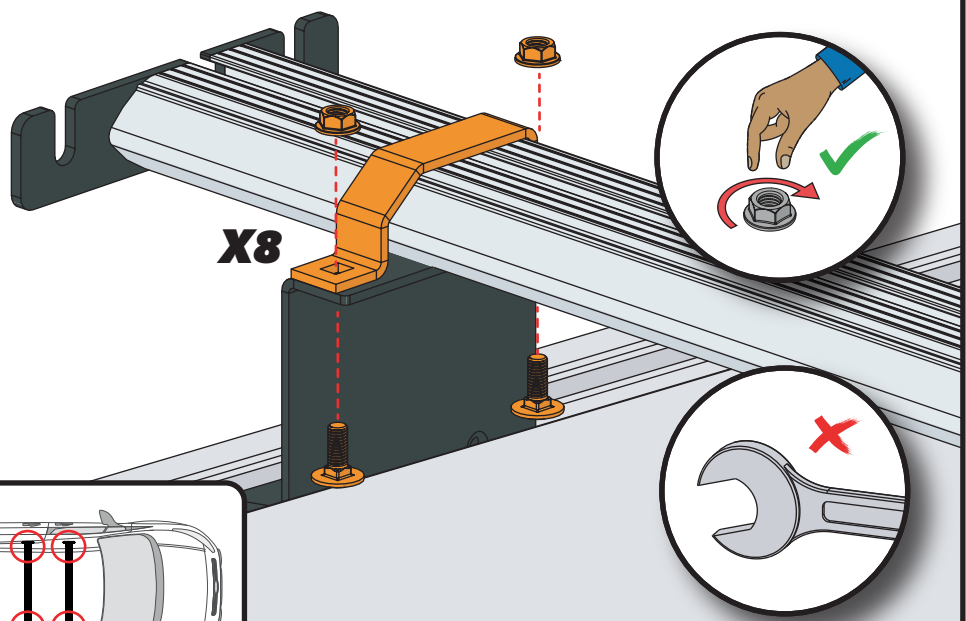
14



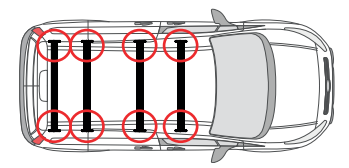
15



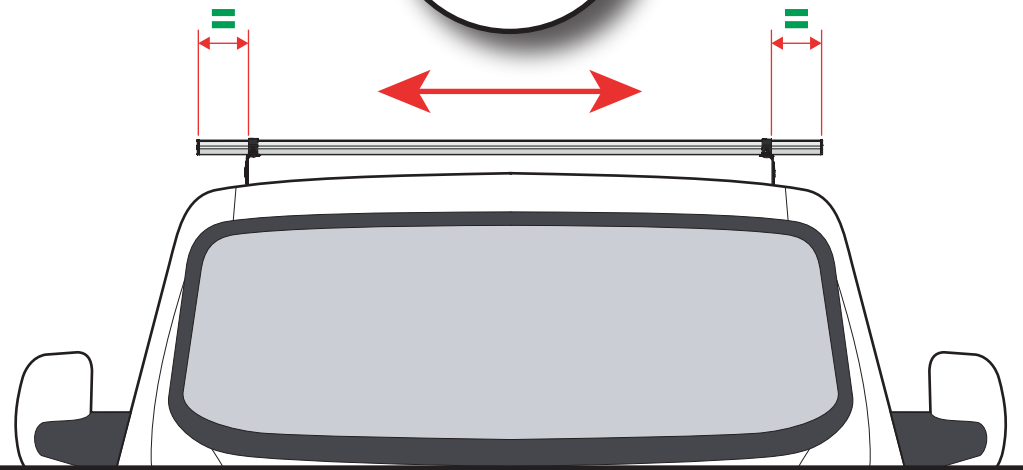
16



X8



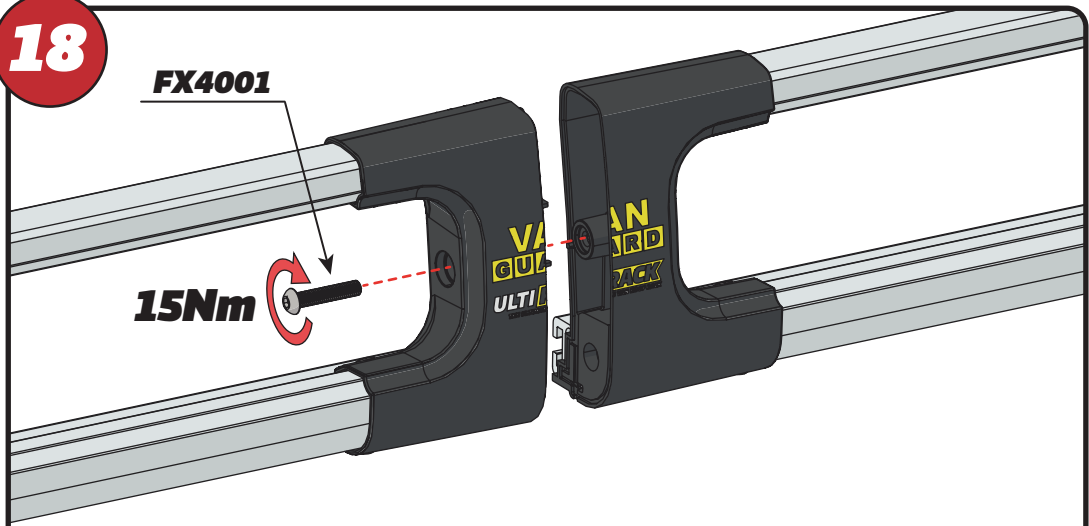
17



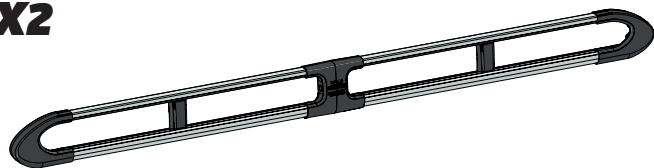
18

FX4001

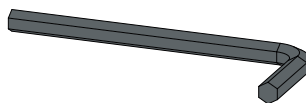
15Nm



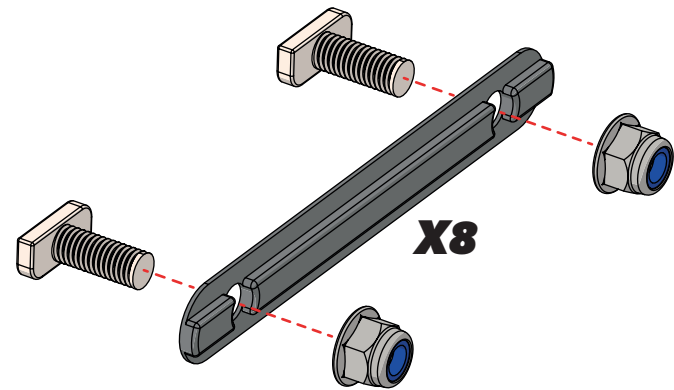
X2



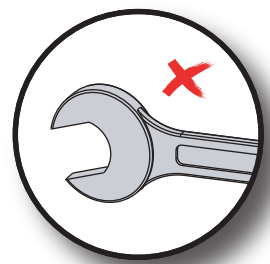
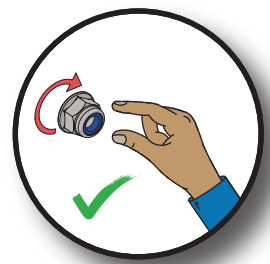
FX4008



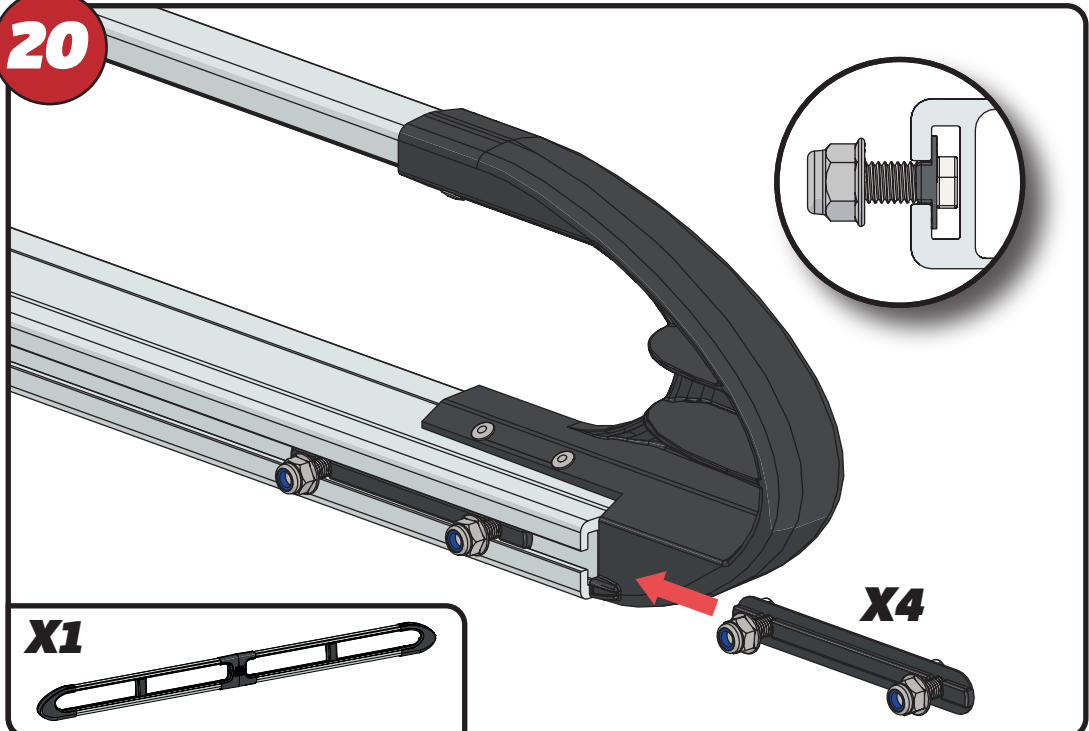
19



X8

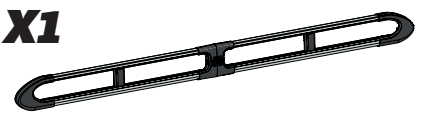


20

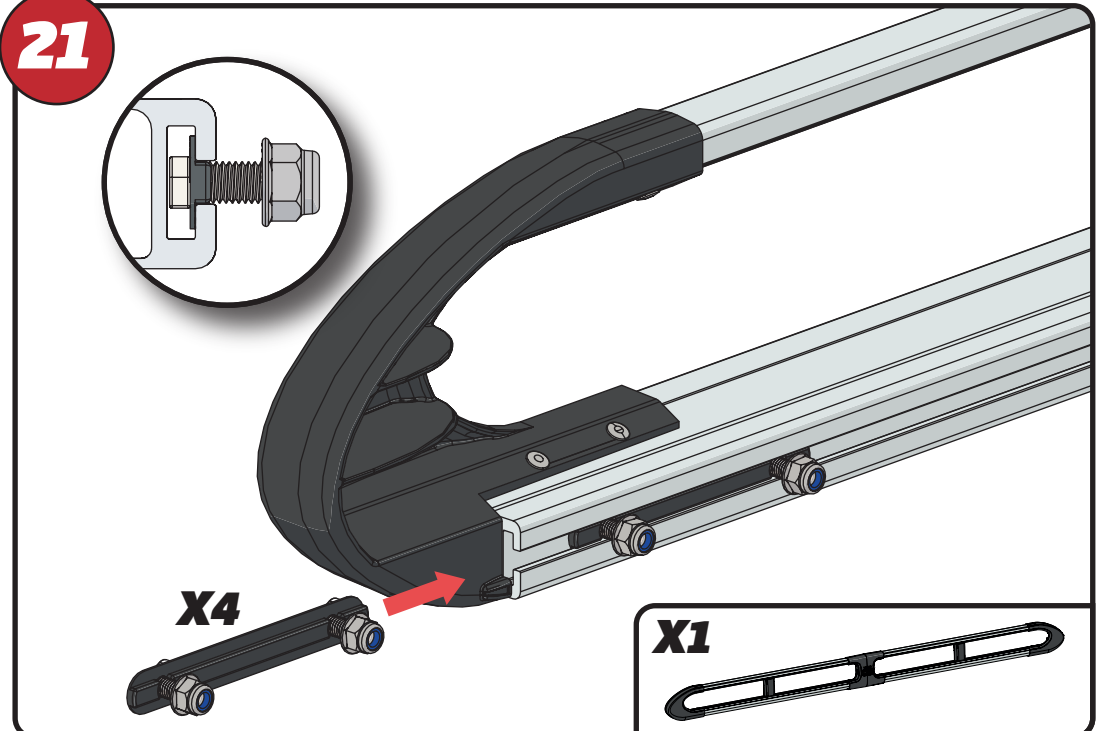


X4

X1

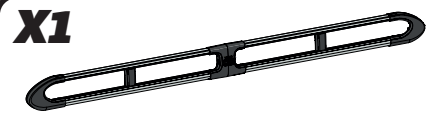


21

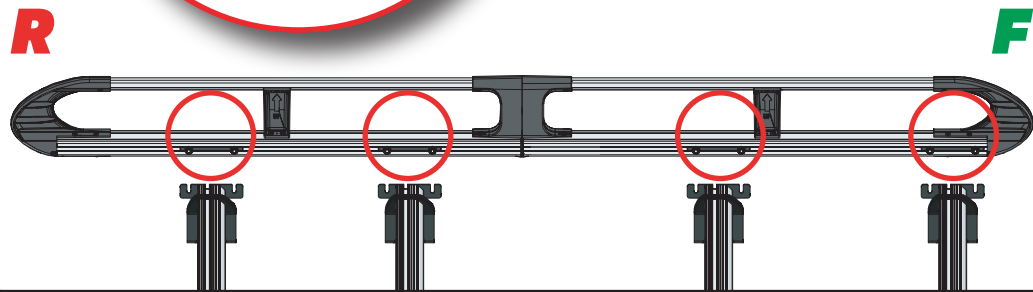
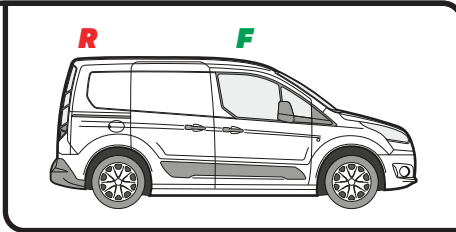
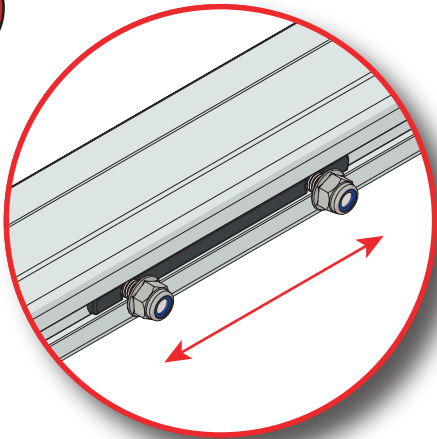


X4

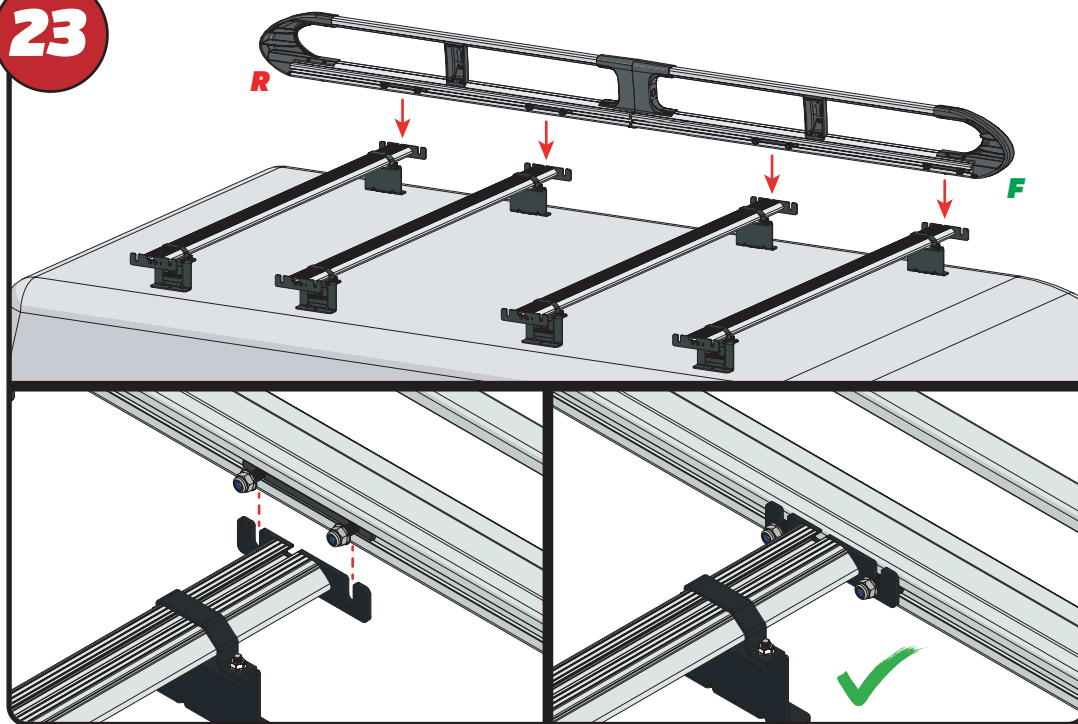
X1



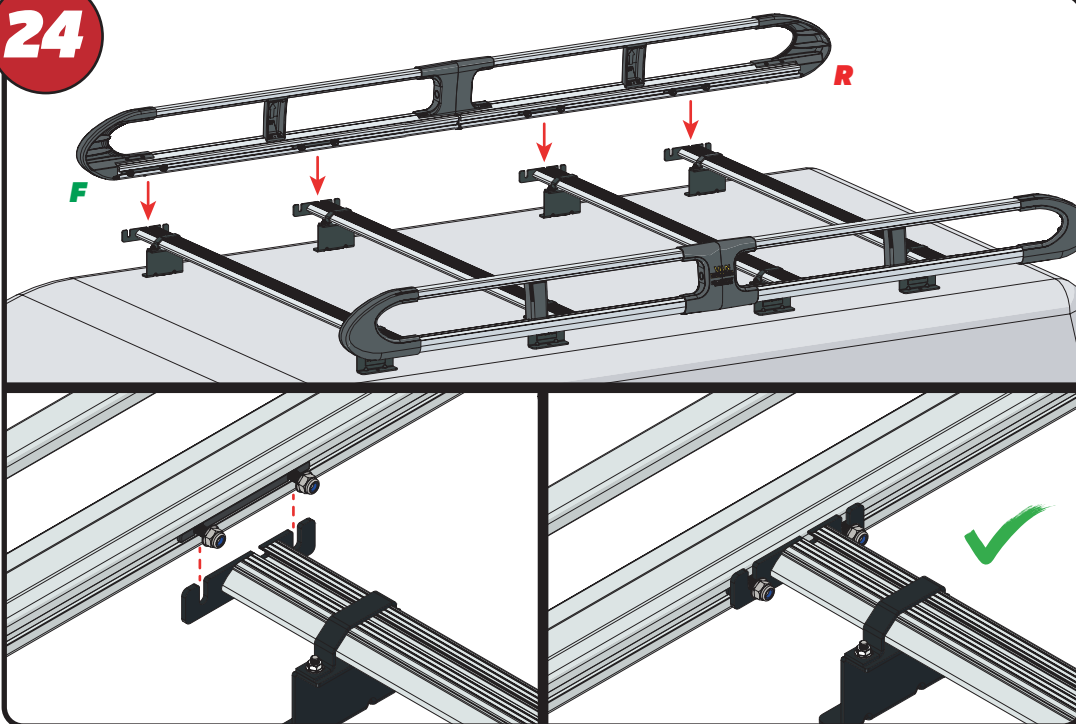
22



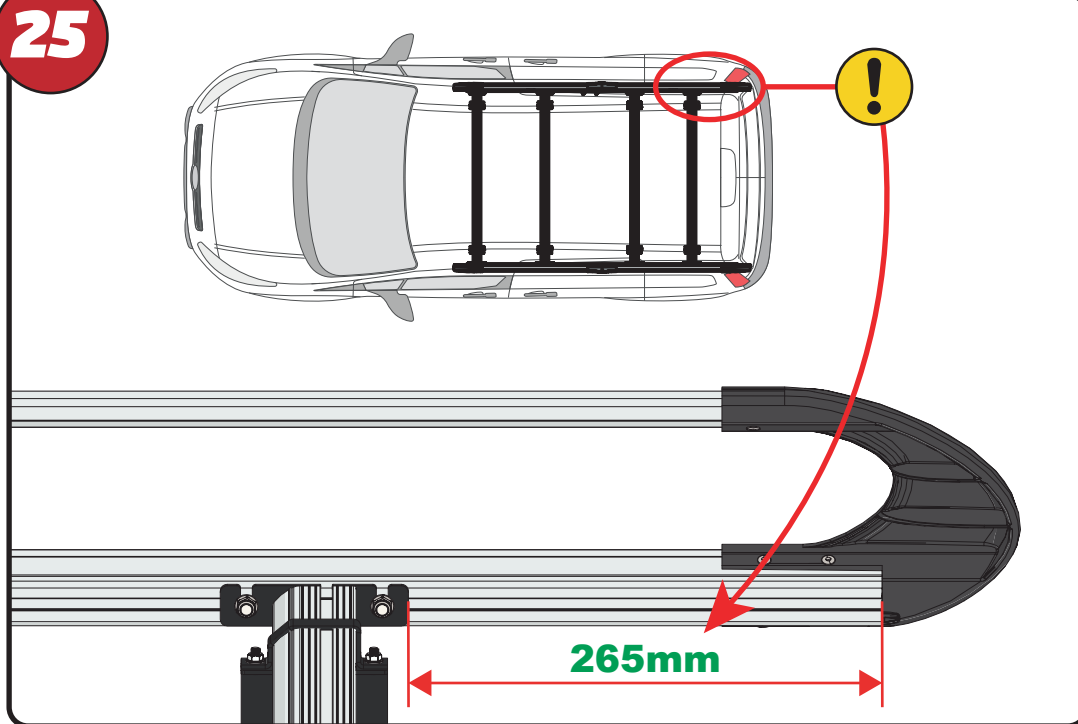
23

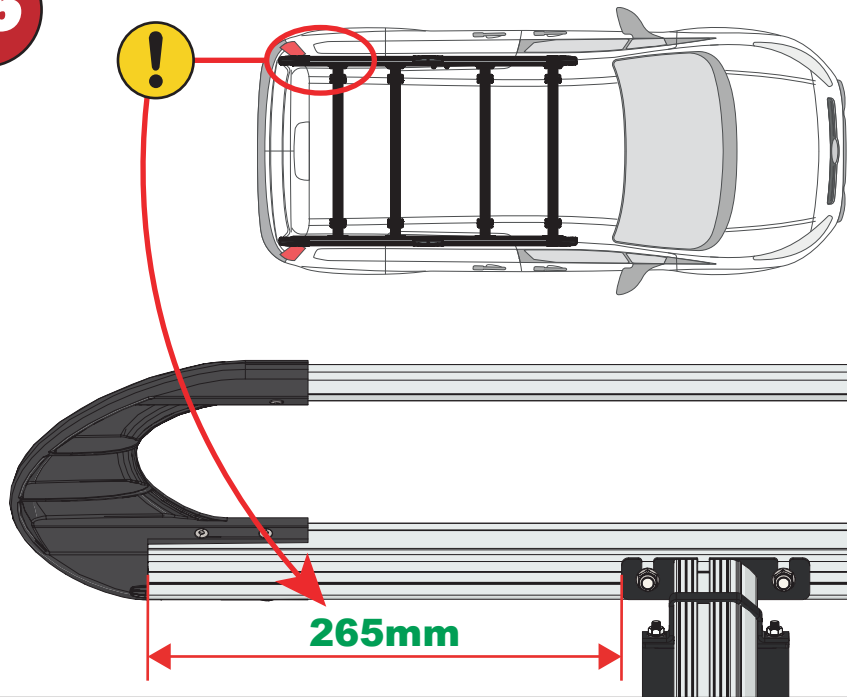
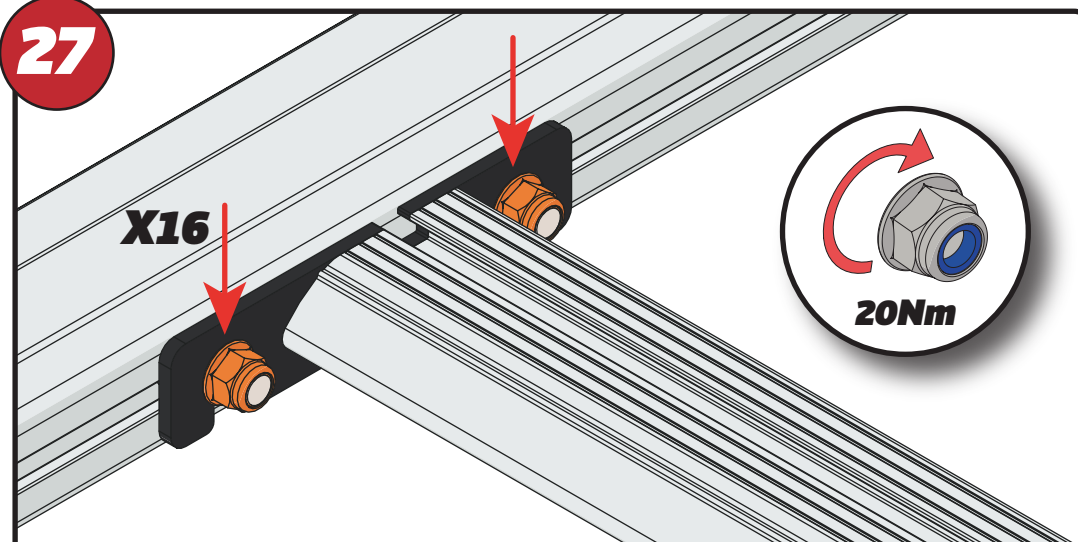


24



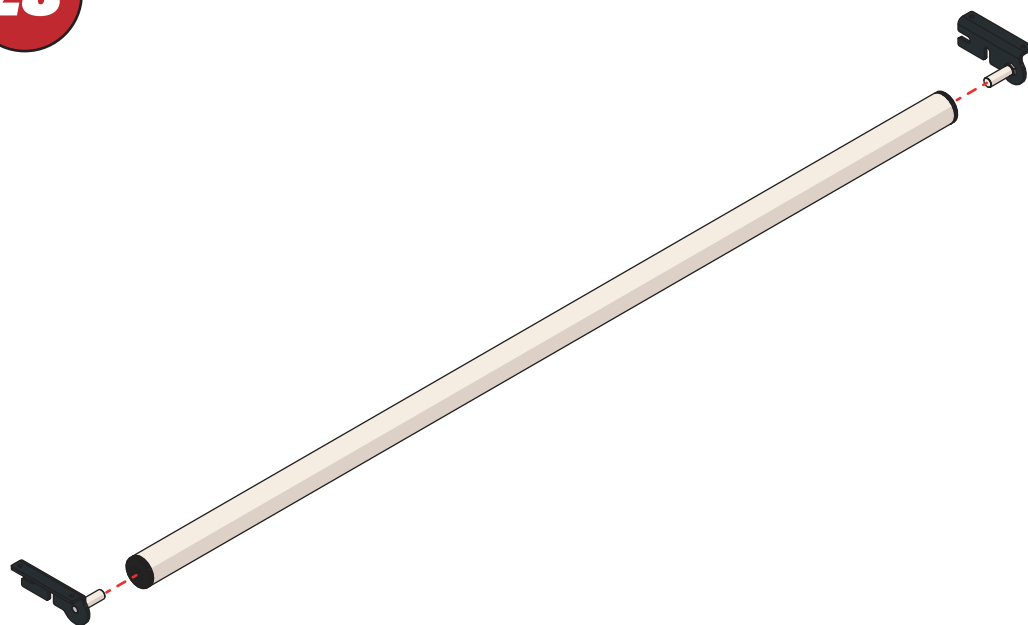
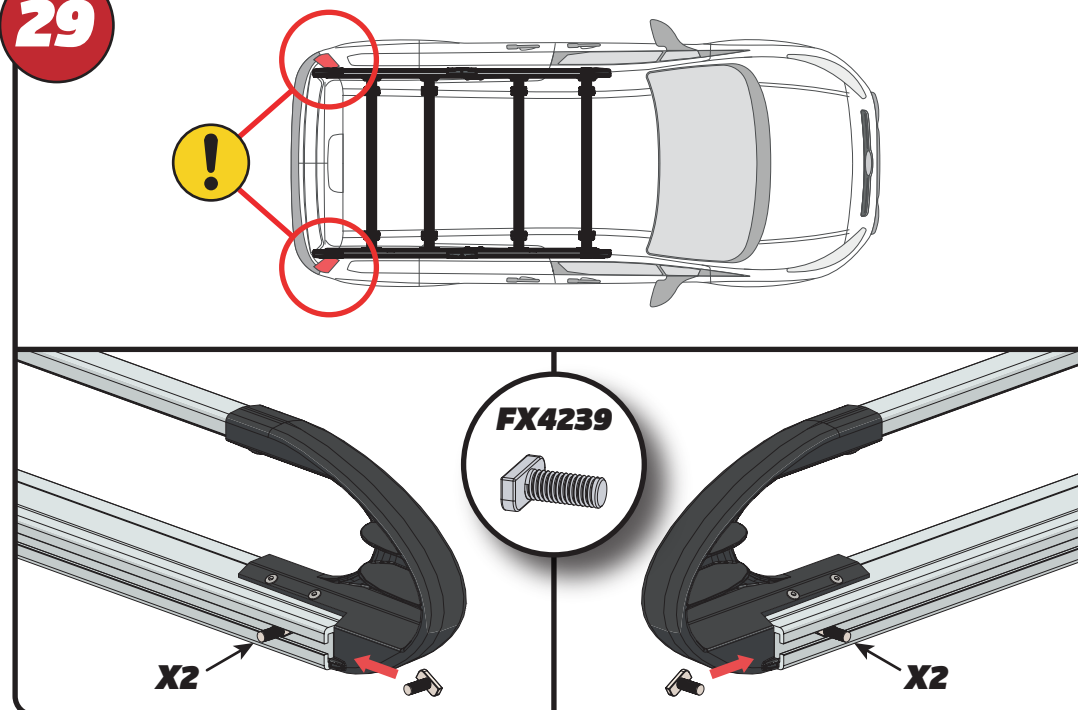
25



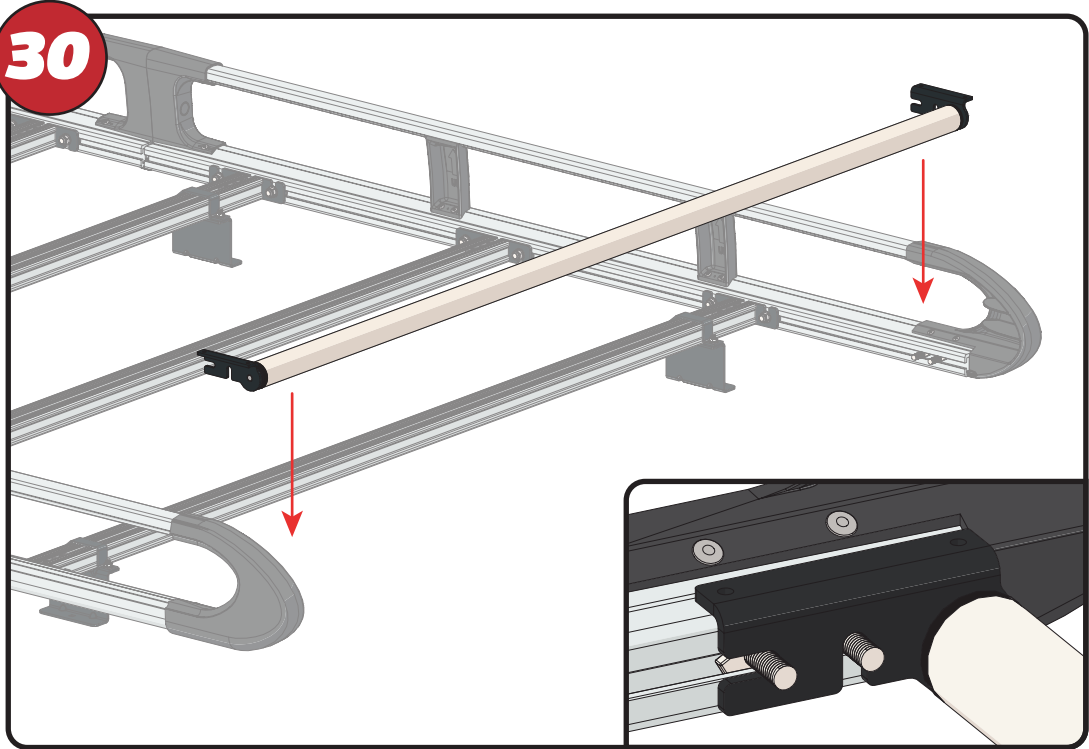
26**265mm****27****X16****20Nm**

EN - TIGHTEN ALL OF THE CROSS BARS
DE - ALLE QUERSTANGEN FESTZIEHEN
FR - SERREZ TOUTES LES BARRES TRANSVERSALES
NL - DRAAI ALLE DWARSBALK VAN HET DAK AAN
ES - APRIETE TODAS LAS BARRAS TRANSVERSALES
IT - STRINGERE TUTTE LE BARRE TRASVERSALI

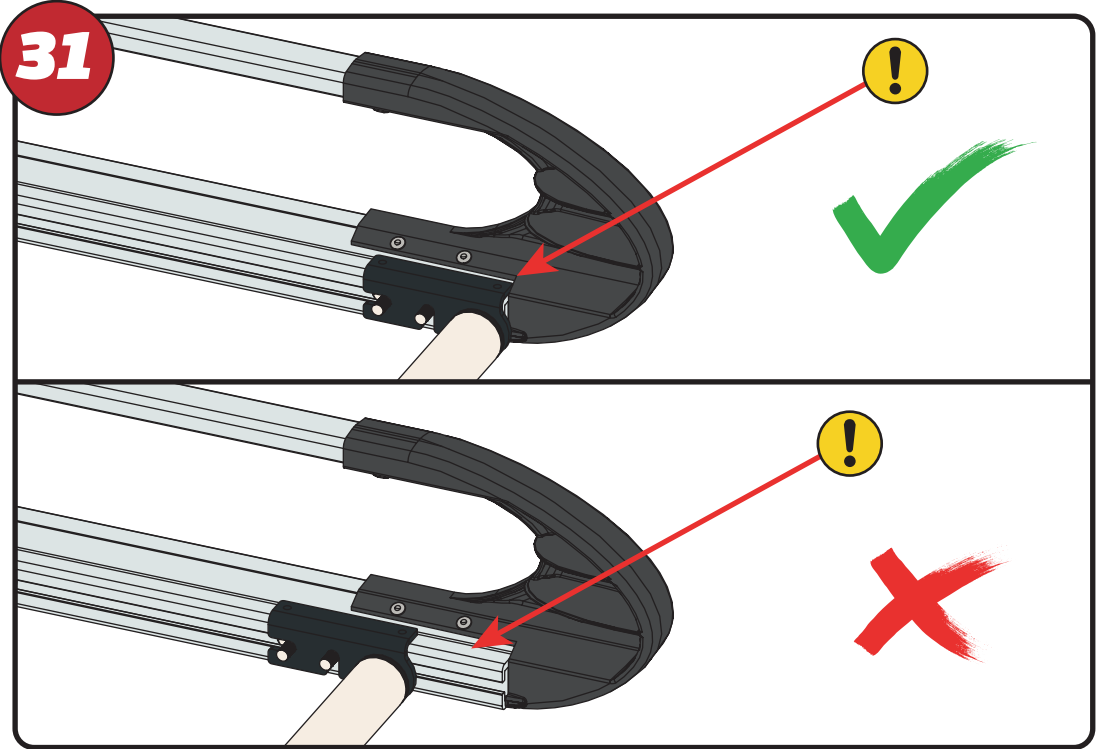
SV - SKRU UPP ALLA KORSSTANGAR
DA - SKRU ALLE TAGBØJLER OP
NO - SKRU OPP ALLE TVERRSTENGER
PL - DOKRĘCIĆ WSZYSTKIE POPRZECZKI
CS - VŠECHNY PŘÍČNÉ TYČE SEŠROUJTE

28**29****FX4239****X2****X2**

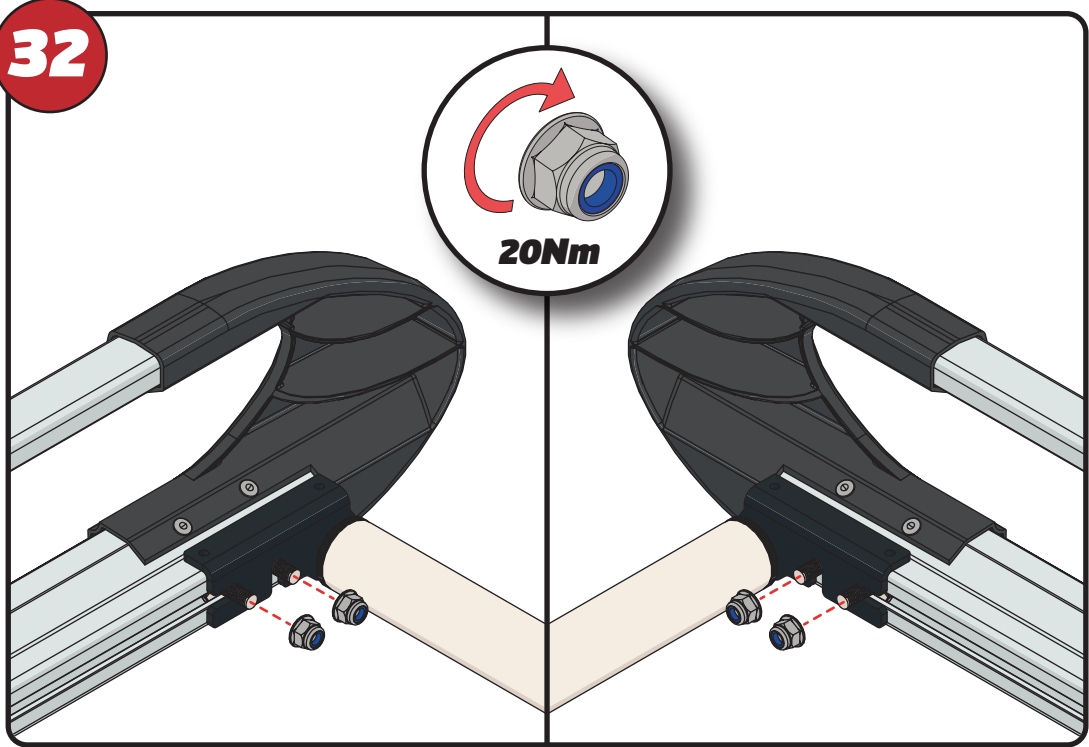
30



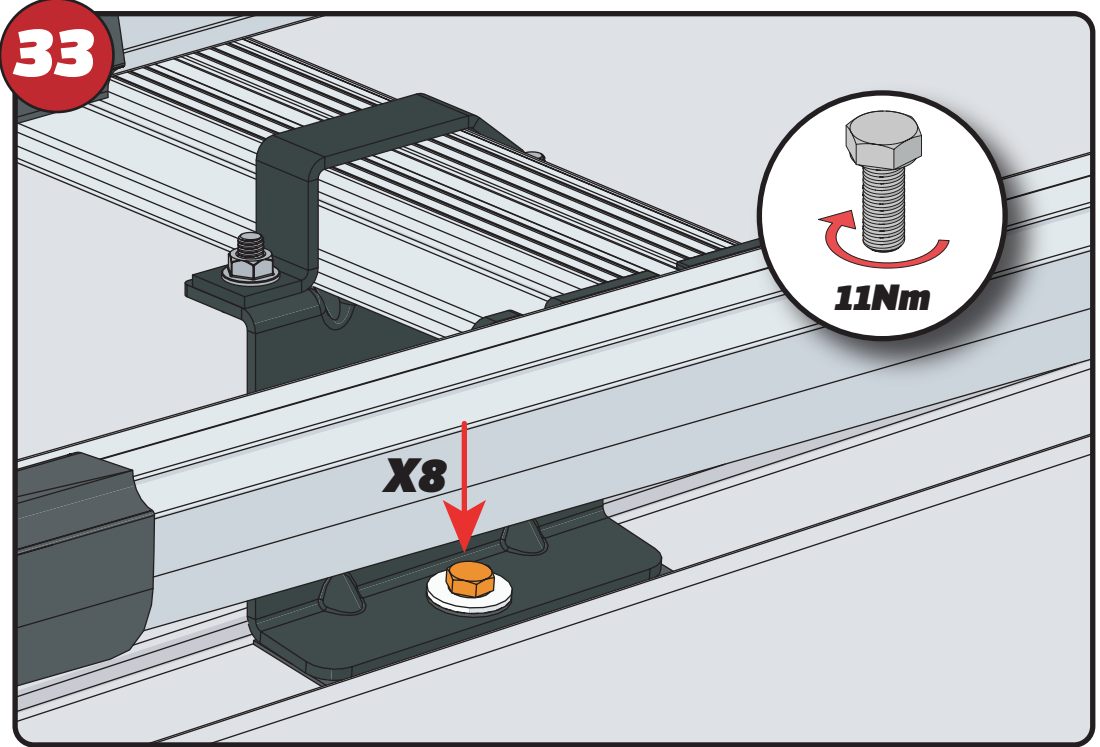
31



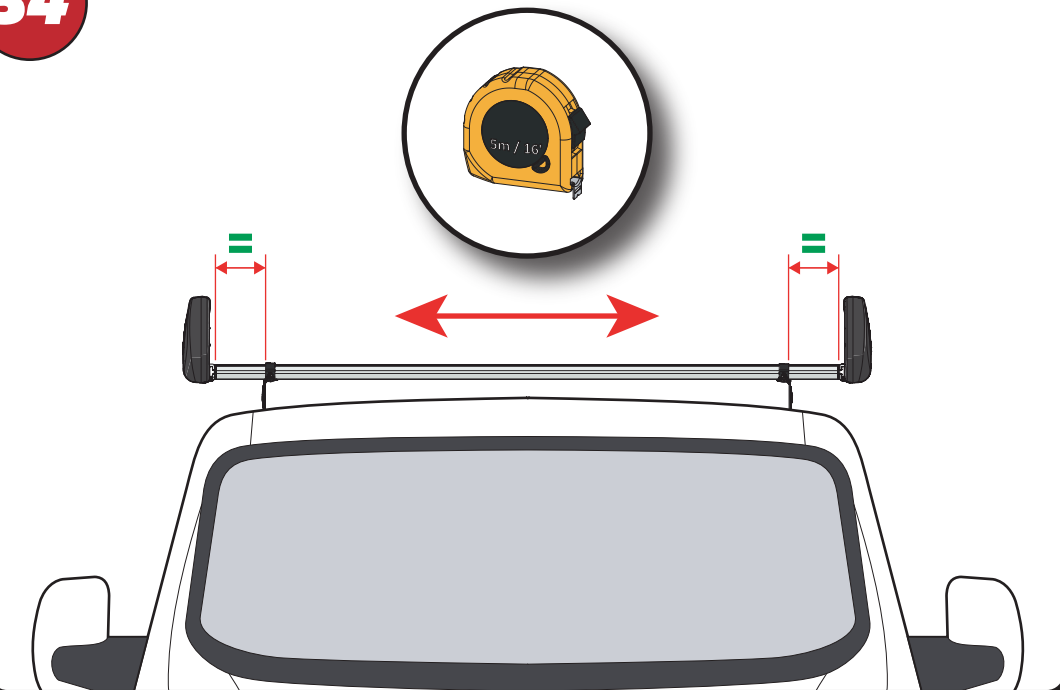
32



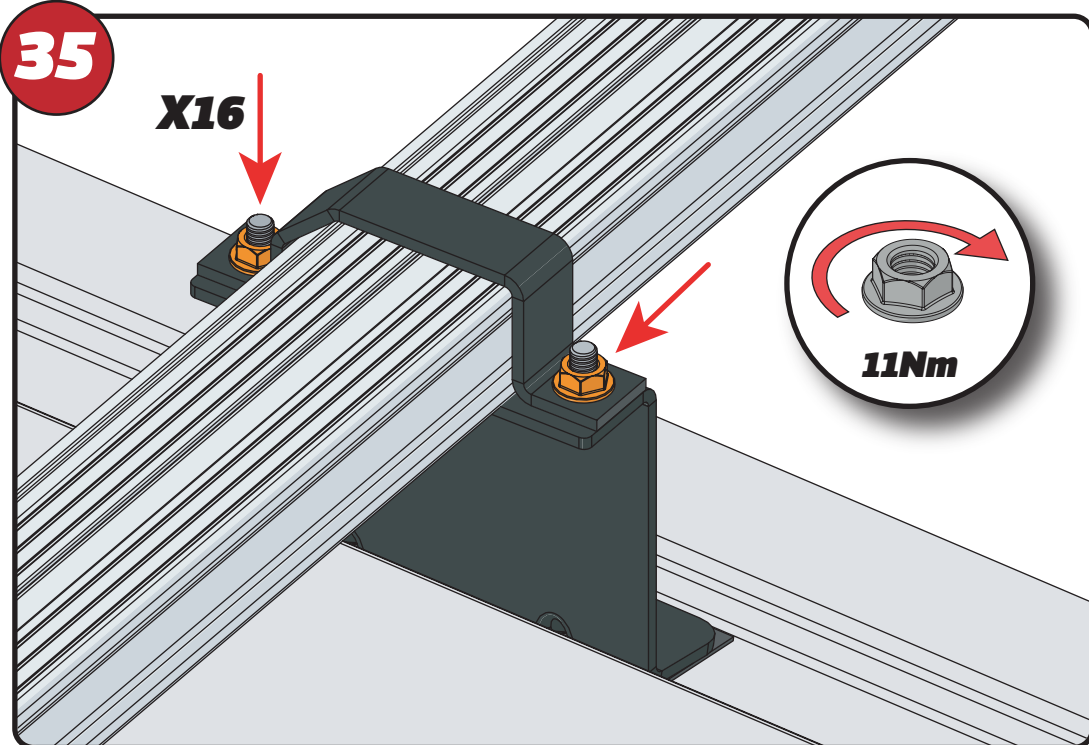
33



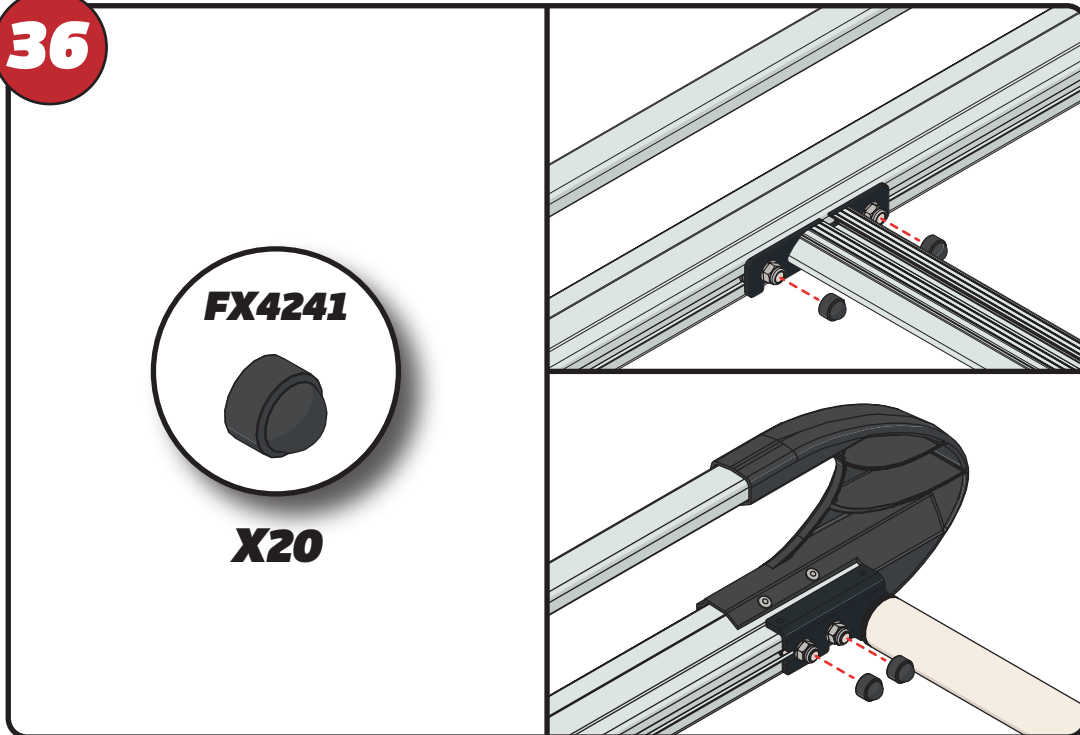
34



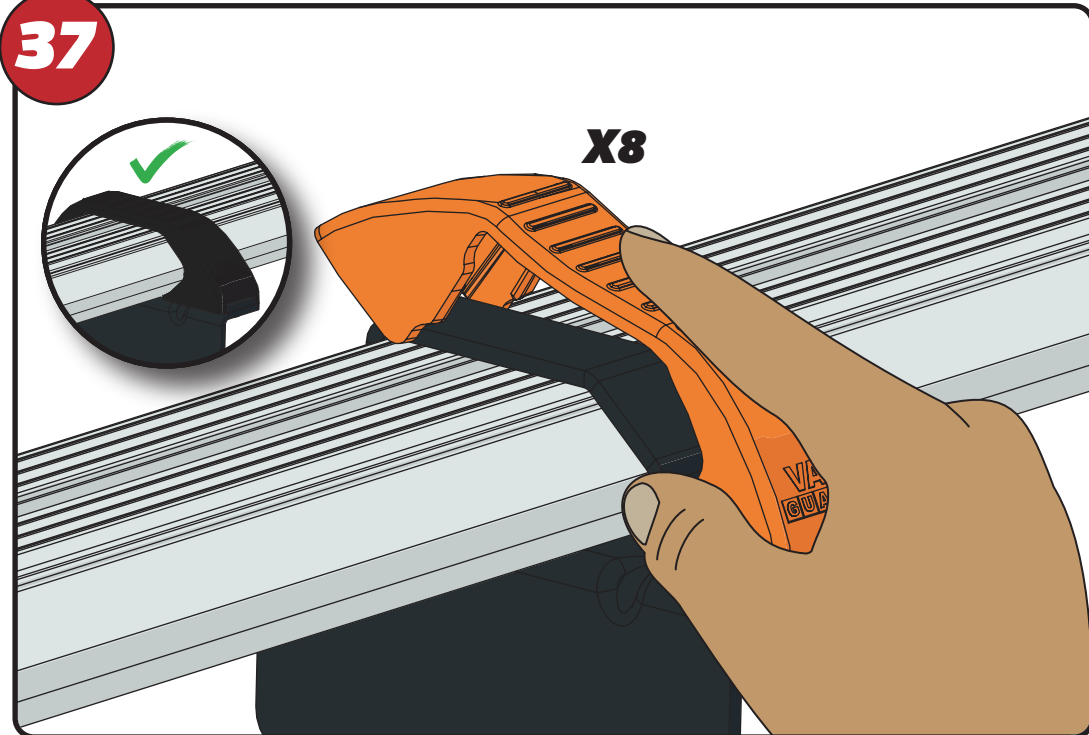
35



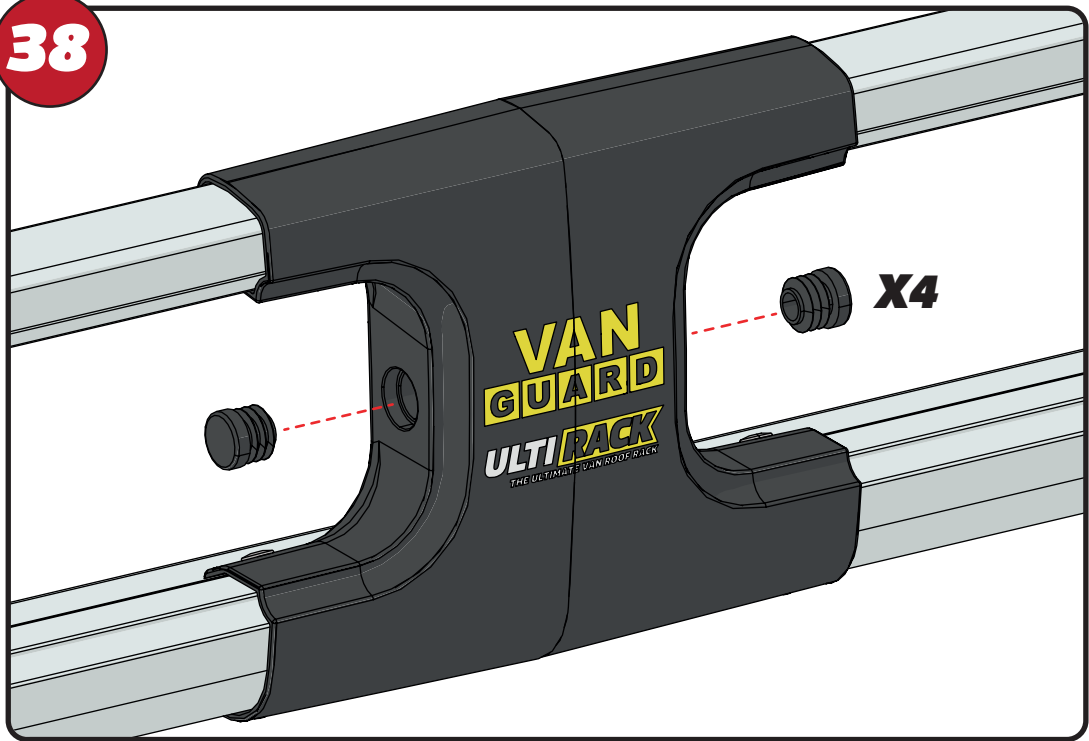
36



37



38



39

