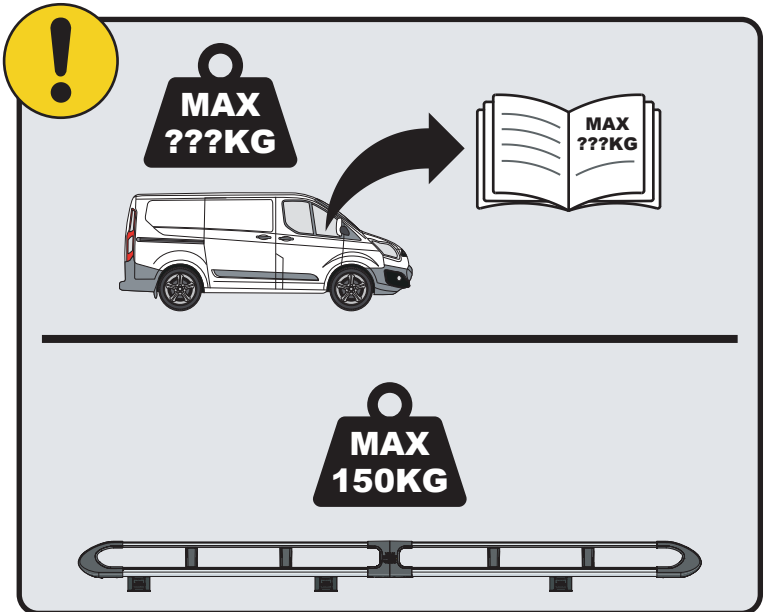
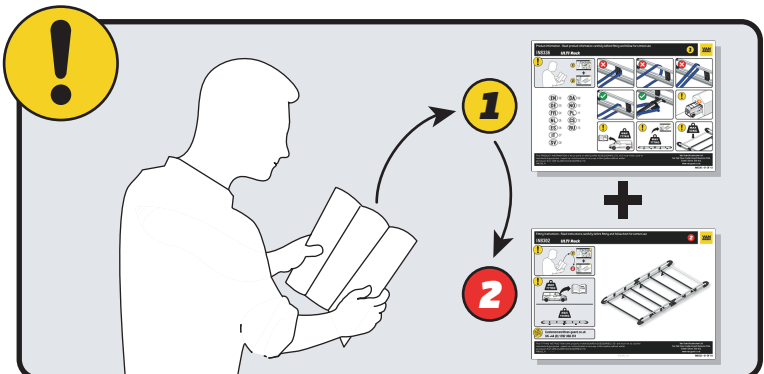


# IN8353

## ULTI Rack+



 [Customercare@van-guard.co.uk](mailto:Customercare@van-guard.co.uk)  
UK +44 (0) 1392 368 351

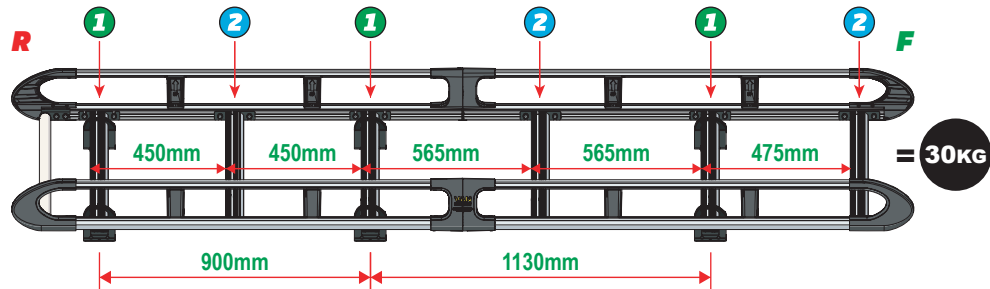
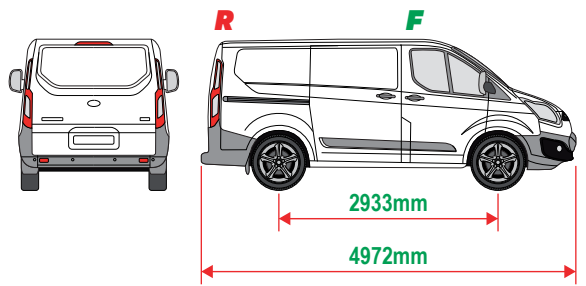


This FITTING INSTRUCTION is the property of VAN GUARD ACCESSORIES LTD. and must not be used for manufacturing purposes, copied nor communicated in any way to third parties without written permission from VAN GUARD ACCESSORIES LTD.  
IN8353\_B (CN:00356)

Van Guard Accessories Ltd  
Fair Oak Close, Exeter Airport Business Park,  
Exeter, Devon, EX5 2UL  
[www.van-guard.co.uk](http://www.van-guard.co.uk)

# VGUR-274

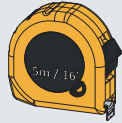
Ford Transit Custom: 2012-2023  
L1H1 (SWB)  
Tailgate



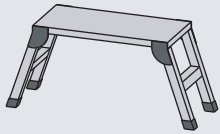
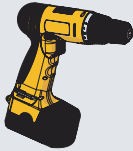
**SUPPLIED COMPONENTS - CHECK ALL PARTS ARE PRESENT AND CORRECT BEFORE PROCEEDING (1 OF 2)**

**TOOLS REQUIRED**

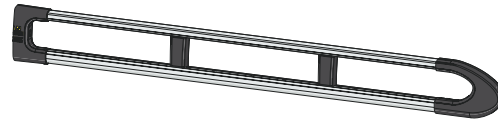
**10MM X1**



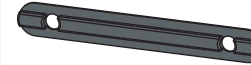
**13MM X1**



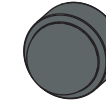
**AS3539 X2**  
(2800 / A)



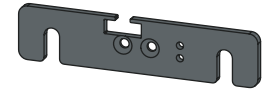
**MA6118 X12**



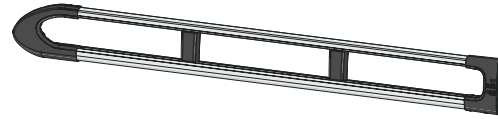
**FX4241 X28**



**ME1622 X3**



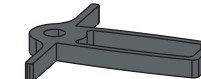
**AS3538 X2**  
(2800 / B)



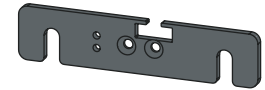
**FX4008 X1**



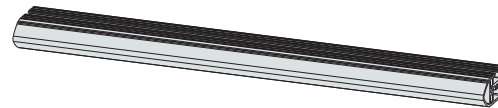
**MA6145 X1**



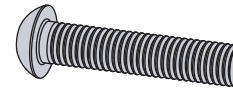
**ME1623 X3**



**ME1627 X6**  
(1354mm)



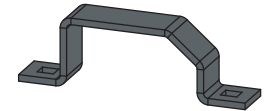
**FX4001 X2**  
(M8X40)



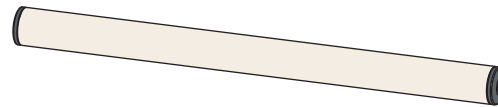
**FX4235 X24**  
(M5X25)



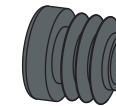
**ME0203 X6**



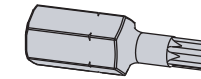
**AS3159 X1**  
(1340mm)



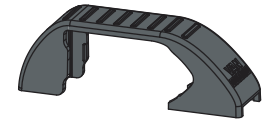
**MA6007 X4**



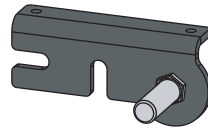
**FX4248 X1**  
(T25)



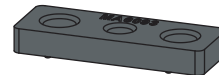
**MA6065 X6**



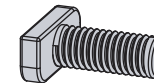
**AS3590 X1**



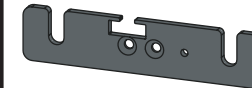
**MA6093 X12**



**FX4239 X28**  
(M8X20)



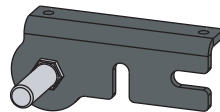
**ME1620 X3**



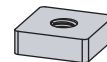
**FX4016 X12**  
(M6)



**AS3591 X1**



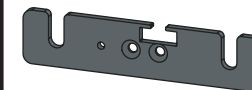
**ME0316 X12**



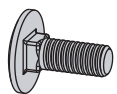
**FX4240 X28**  
(M8)



**ME1621 X3**

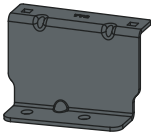


**FX4042 X12**  
(M6X16)



SUPPLIED COMPONENTS - CHECK ALL PARTS ARE PRESENT AND CORRECT BEFORE PROCEEDING (2 OF 2)

**ME0772 X2**

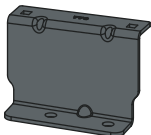


**FX4019 X12**

(M8)



**ME0773 X2**

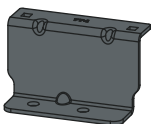


**FX4020 X12**

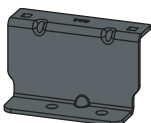
(M8)



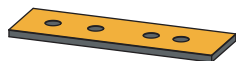
**ME0774 X1**



**ME0775 X1**

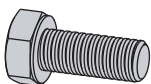


**MA6022 X6**



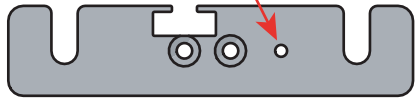
**FX4018 X12**

(M8X20)



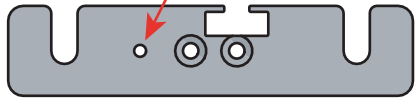
01

1L



X3

1R



X3

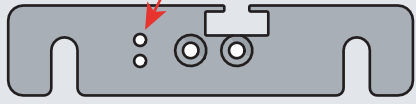


2L



X3

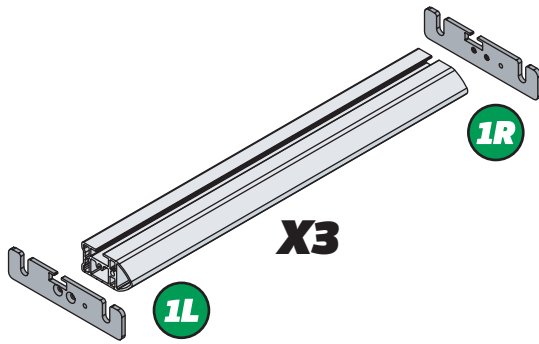
2R



X3

02

1R

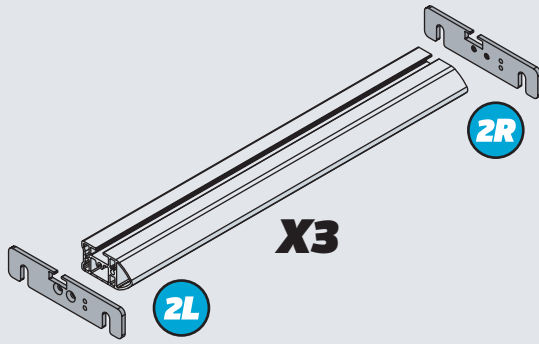


1L

X3



2R



2L

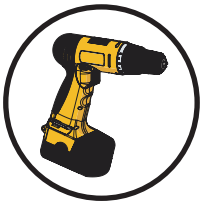
X3



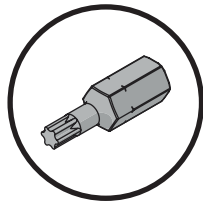
03

01

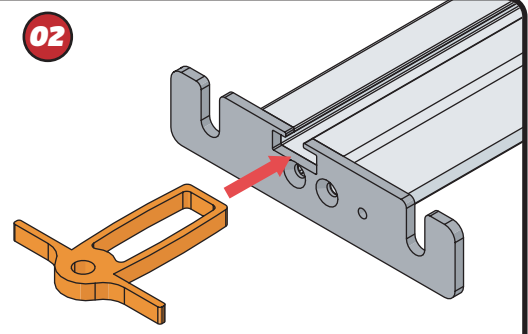
FX4248



+



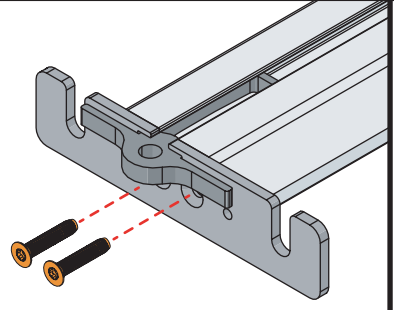
02



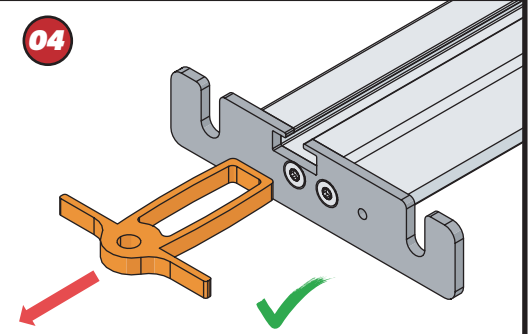
03



11Nm



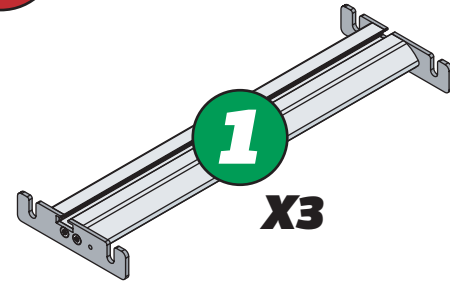
04



04

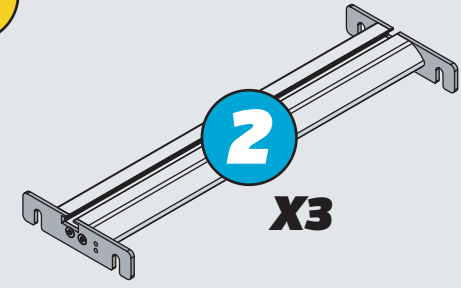


1

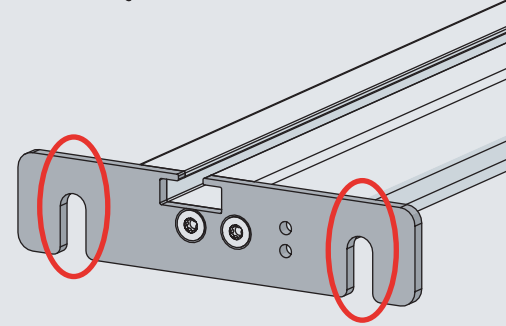
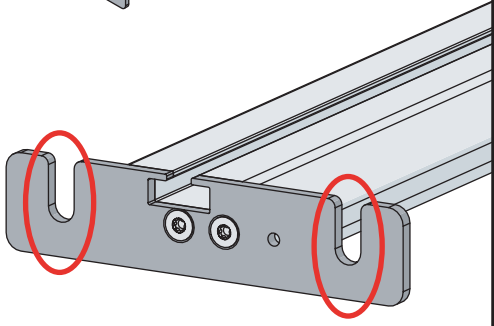


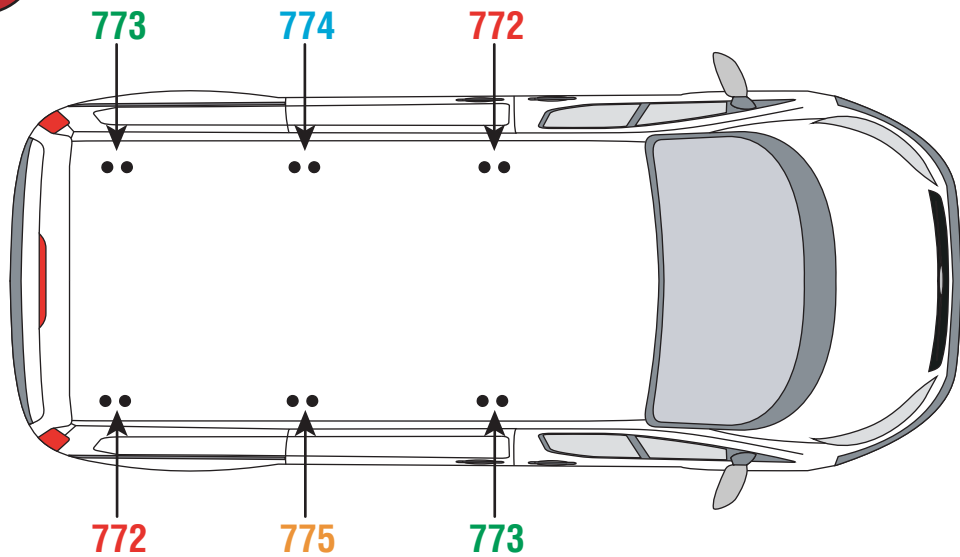
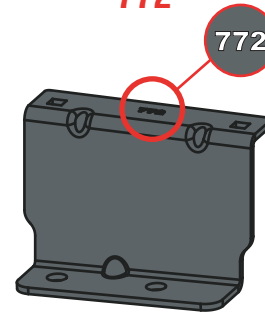
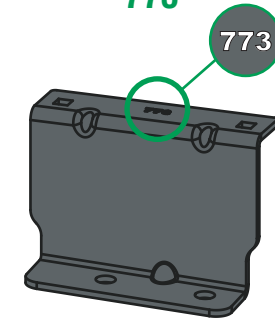
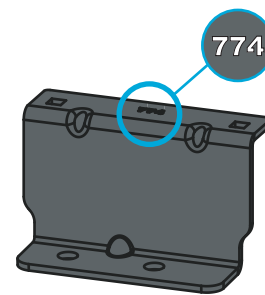
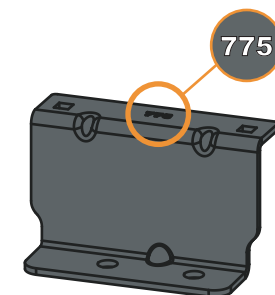
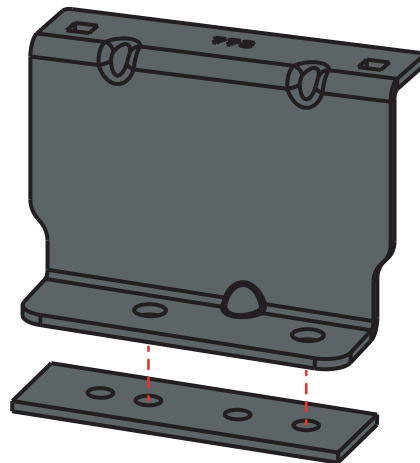
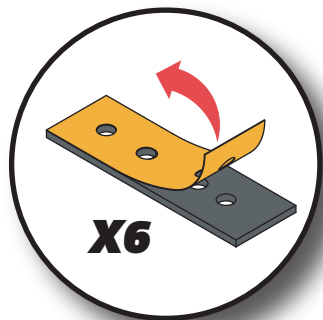
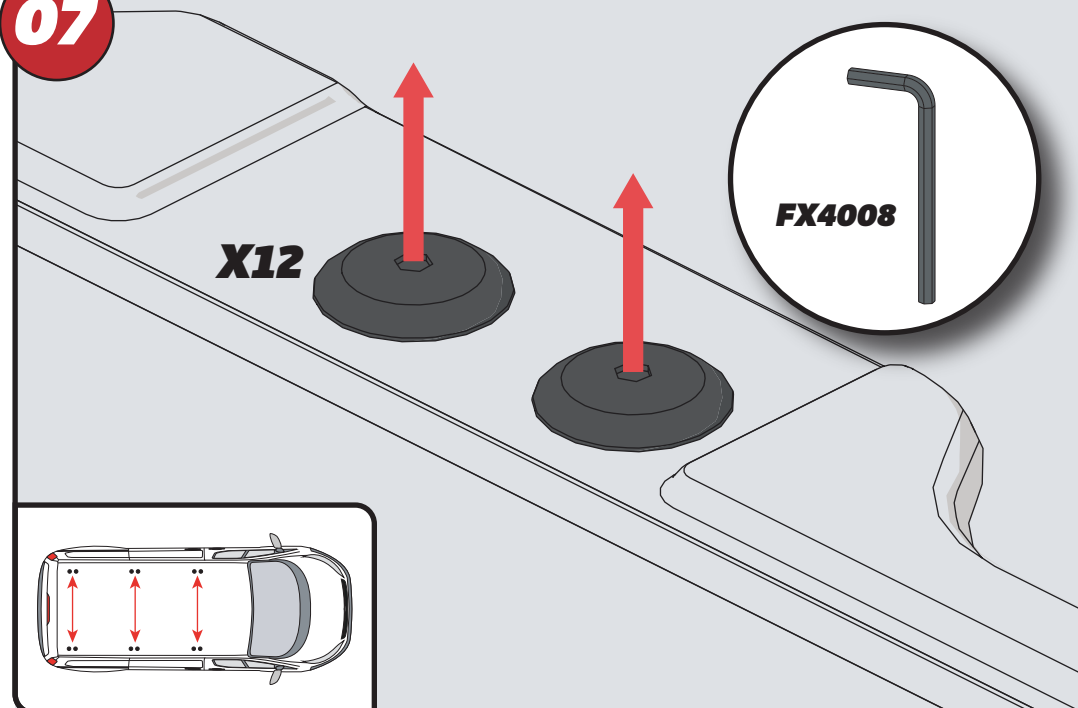
X3

2



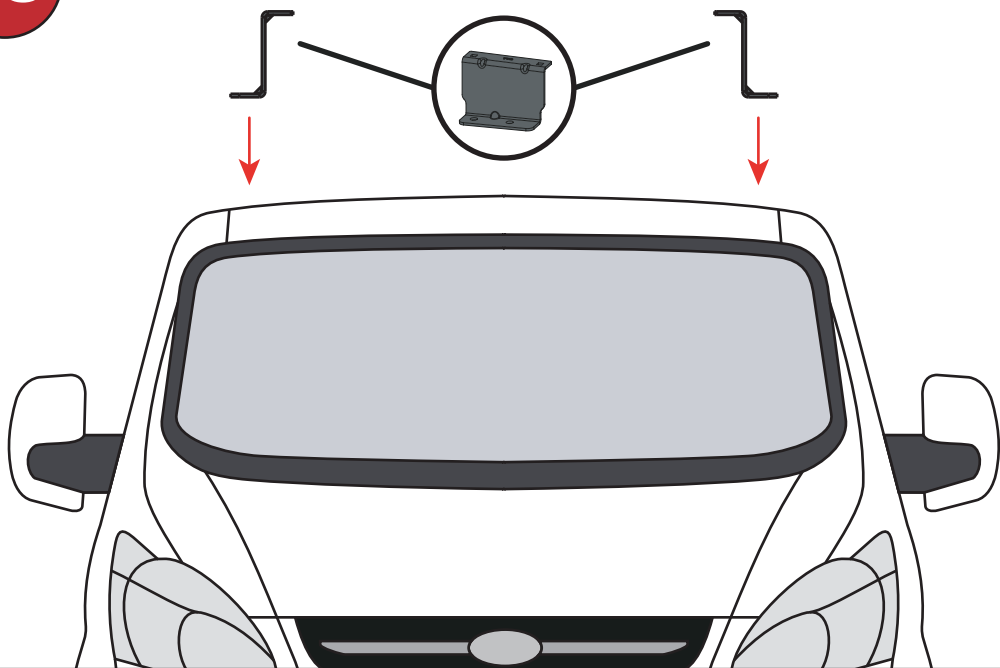
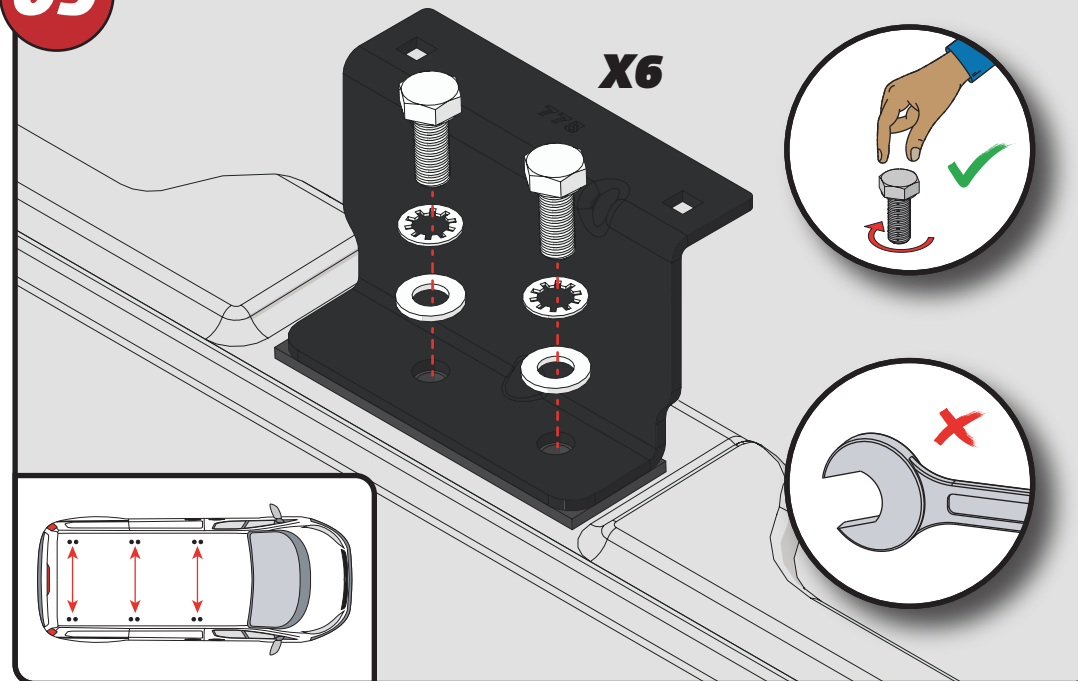
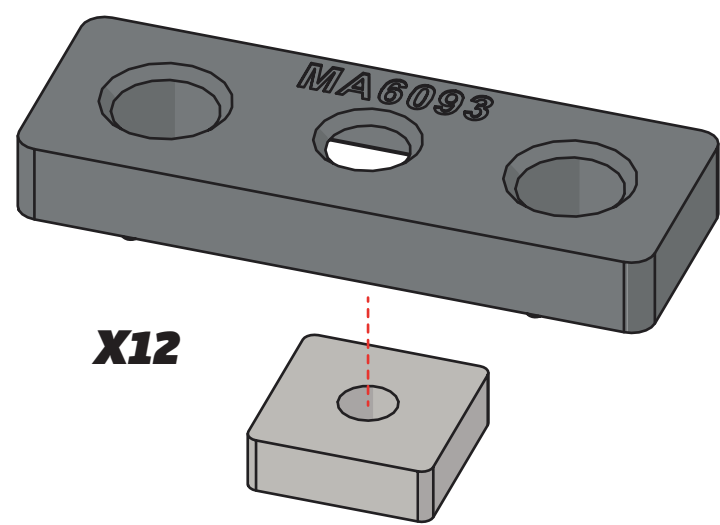
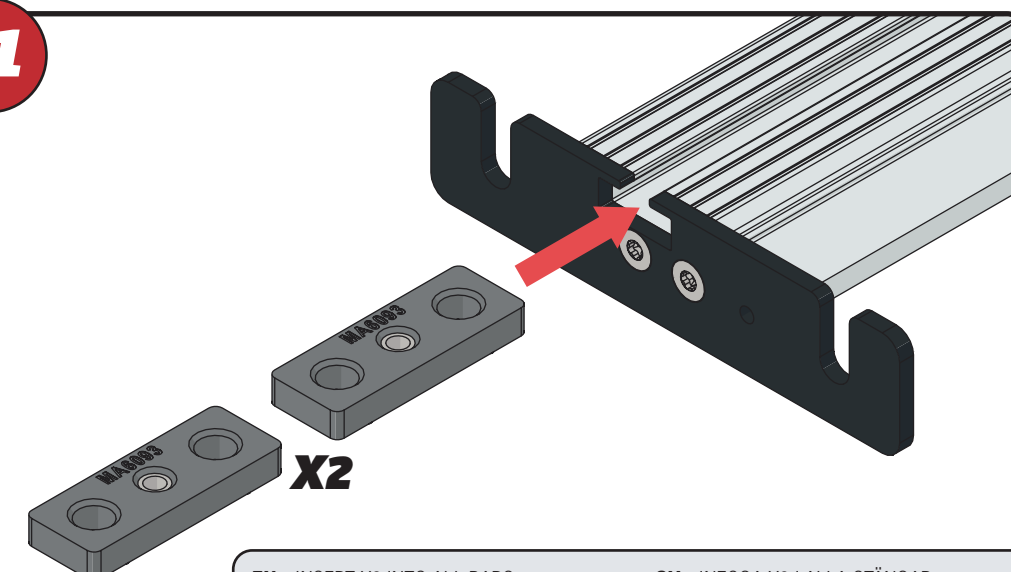
X3



**05****772****773****774****775****06****07**

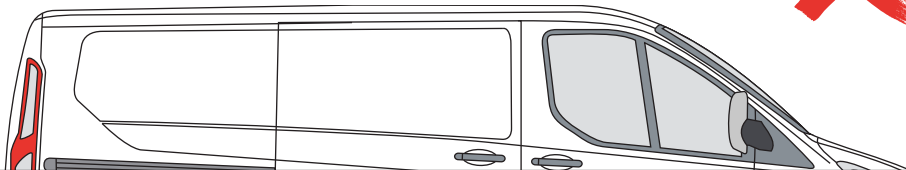
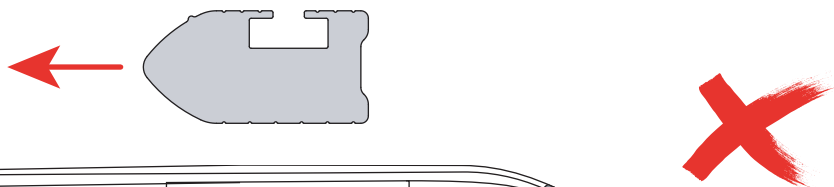
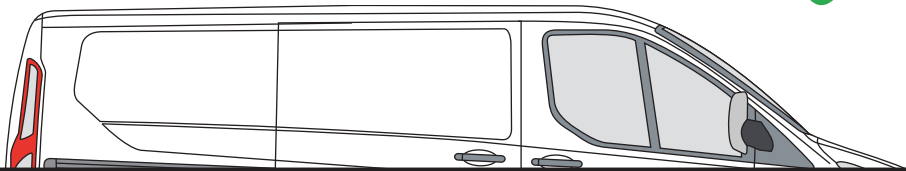
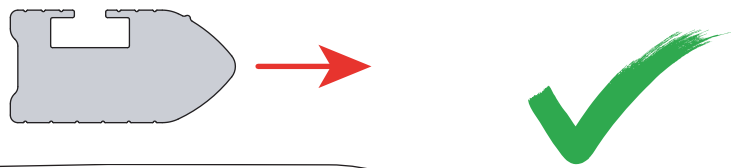
EN - STICK GASKETS TO ALL BRACKETS  
 DE - KLEBEN SIE DIE DICHTUNG AN ALLEN HALTERUNGEN  
 FR - COUSSINETS ADHÉSIFS À TOUS LES SUPPORTS  
 NL - PLAK PAKKING OP ALLE BEUGELS  
 ES - PEGA LAS ALMOHADILLAS A TODOS LOS SOPORTES  
 IT - ADESIVI GUARNIZIONI A TUTTE LE STAFFE

SV - FÄST GUMMI PÅ ALLA FÄSTEN  
 DA - KLÆB GUMMI PÅ ALLE BESLAG  
 NO - PLIST GUMMI PÅ ALLE BRAKKETTER  
 PL - NAKLEJ USZCZELKI DO WSZYSTKICH WSPORNIKÓW  
 CS - PŘILEPTE TĚSNĚNÍ NA VŠECHNY DRŽÁKY

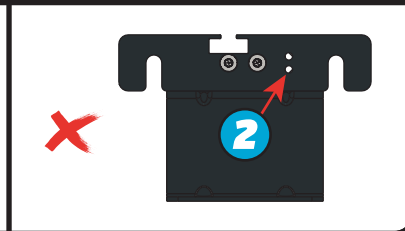
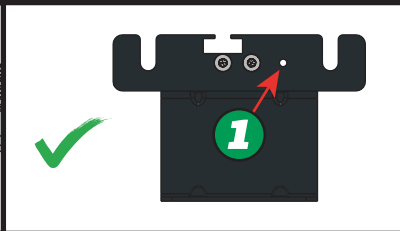
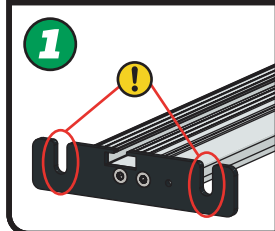
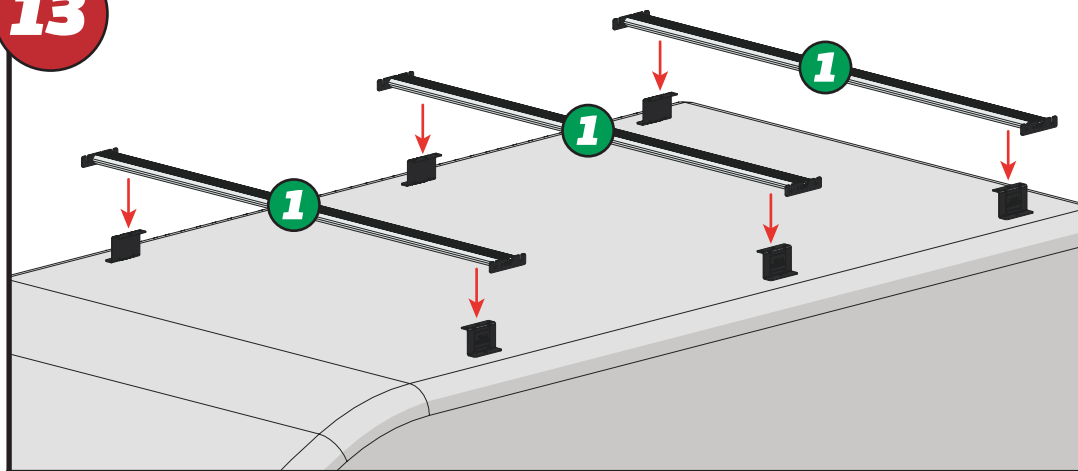
**08****09****10****11**

**EN** - INSERT X2 INTO ALL BARS  
**DE** - X2 IN ALLE STANGEN EINFÜGEN  
**FR** - INSÉRER X2 DANS TOUTES LES BARRES  
**NL** - PLAATS X2 IN ALLE BARS  
**ES** - INSERTAR X2 EN TODAS LAS BARRAS  
**IT** - INSERIRE X2 IN TUTTE LE BARRE  
**SV** - INFOGA X2 I ALLA STÄNGAR  
**DA** - INDSÆT X2 I ALLE STÆNGER  
**NO** - SETT X2 INN I ALLE TAKSTENGER  
**PL** - WSTAW X2 DO WSZYSTKICH PRĘTÓW  
**CS** - VLOŽTE X2 DO VŠECH TYČÍ

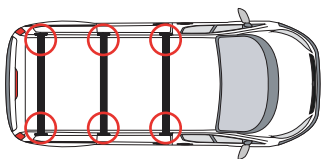
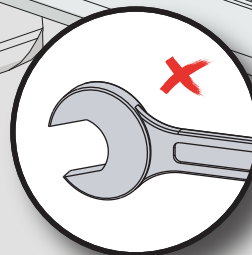
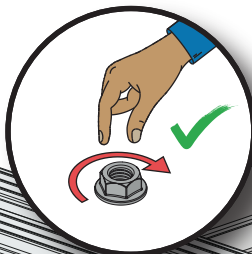
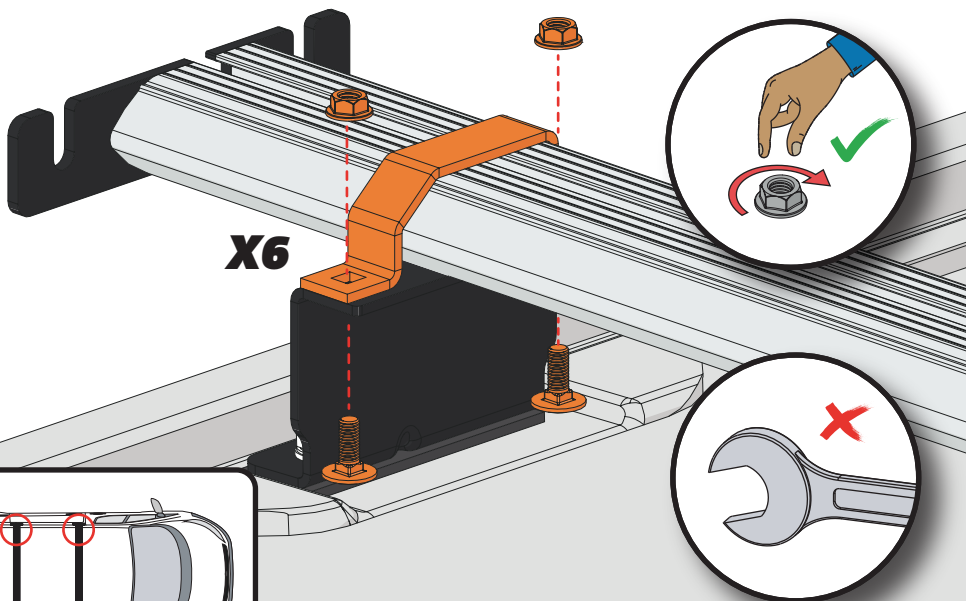
12



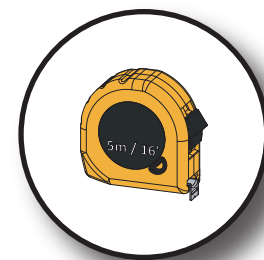
13



14



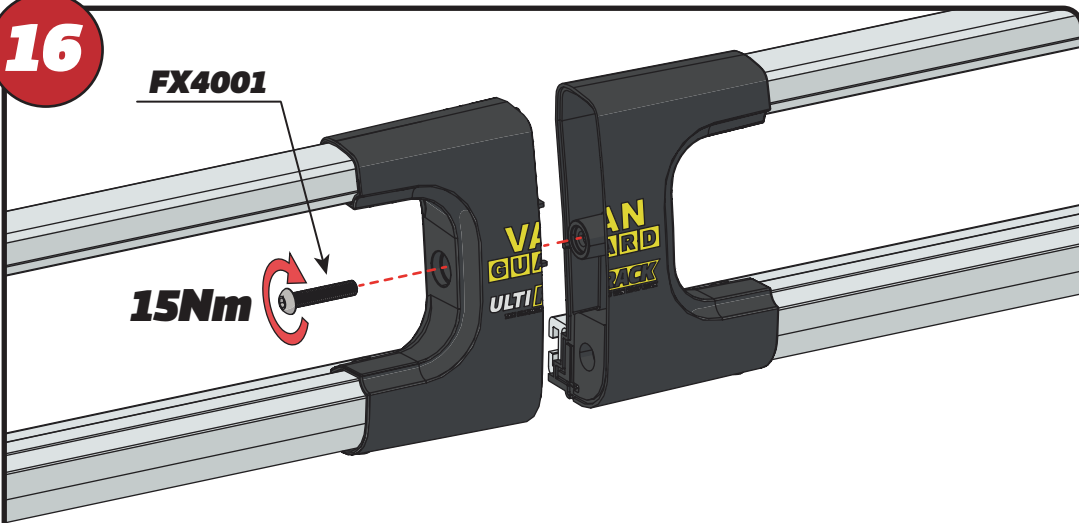
15



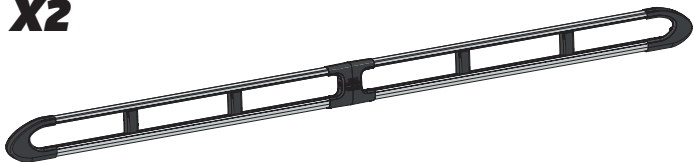
16

FX4001

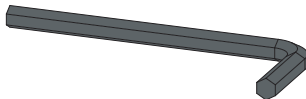
15Nm



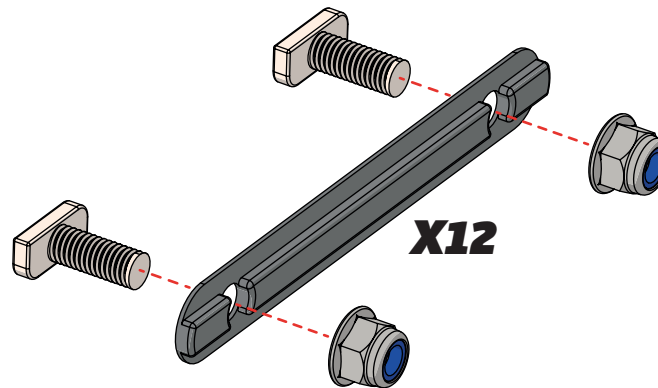
X2



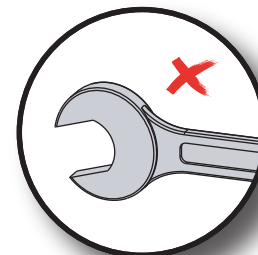
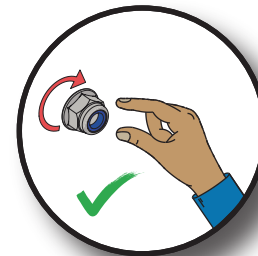
FX4008



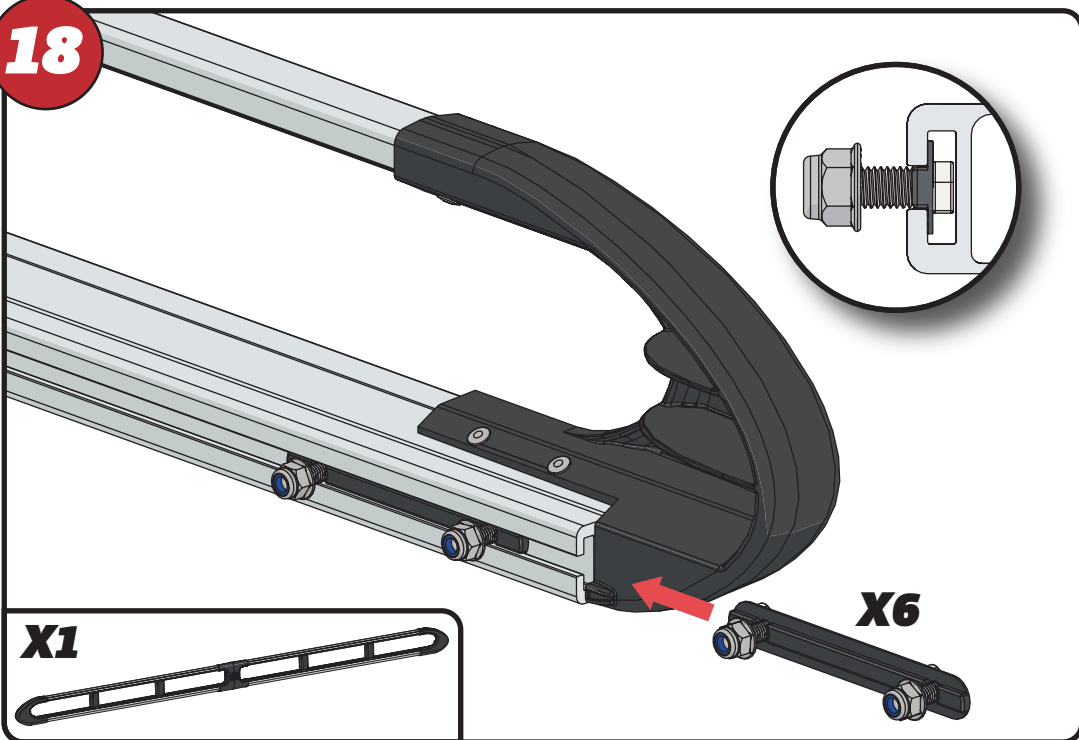
17



X12



18

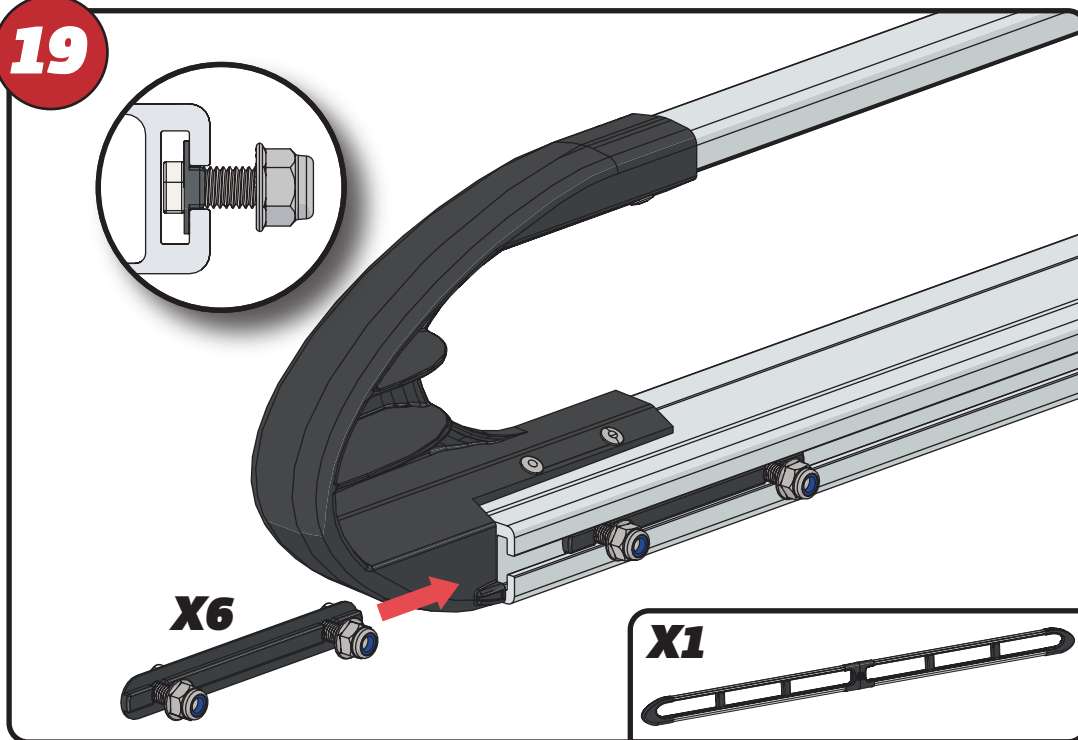


X6

X1

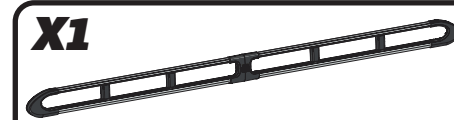


19

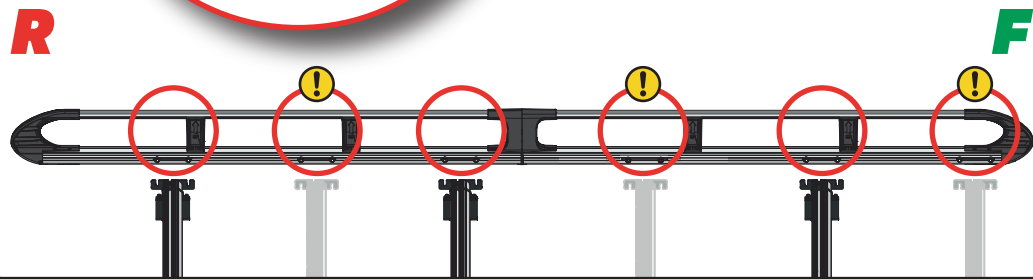
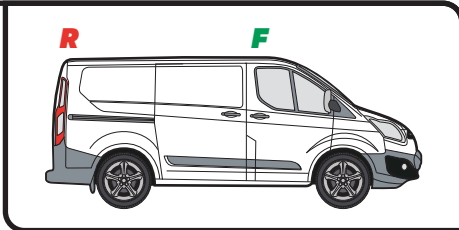
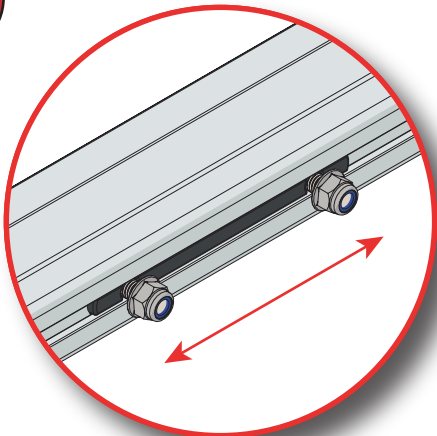


X6

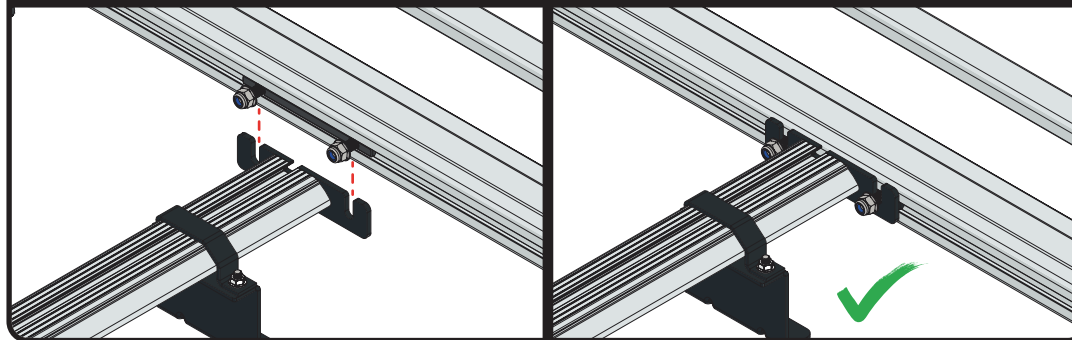
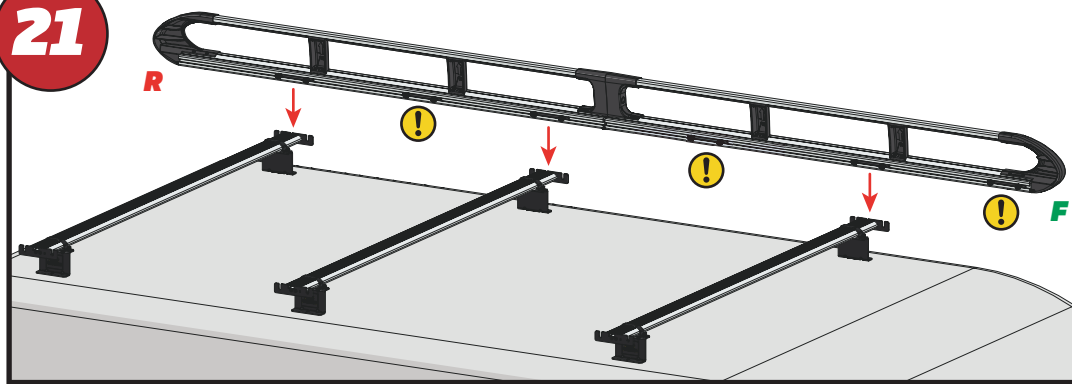
X1



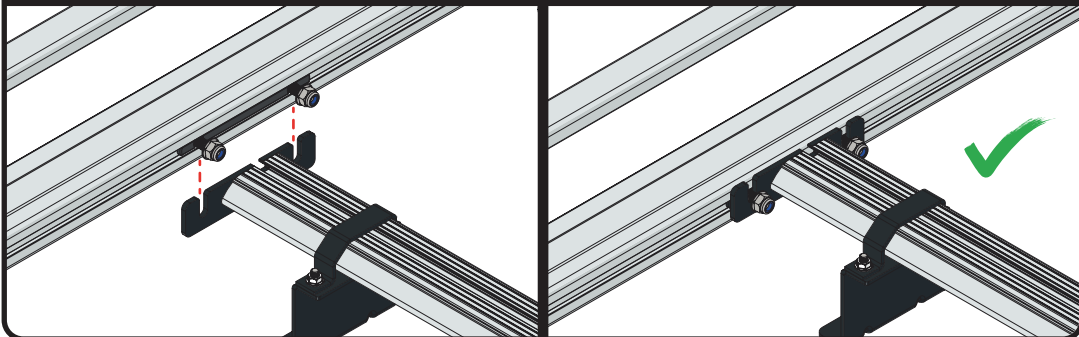
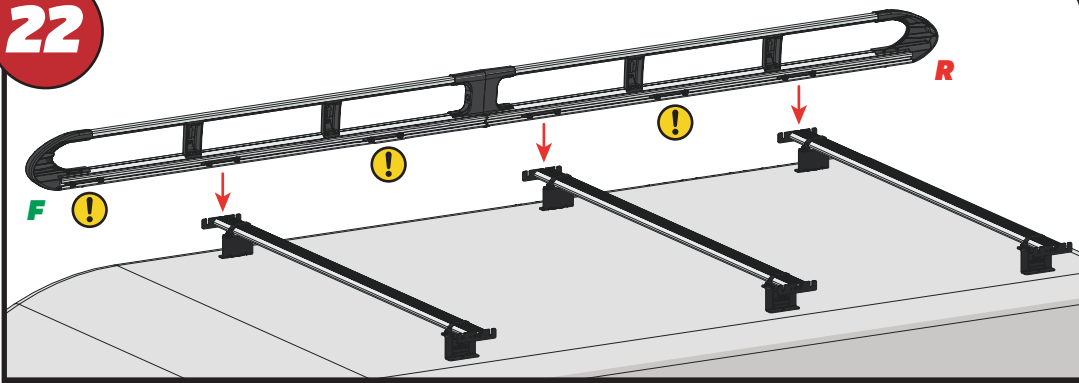
20



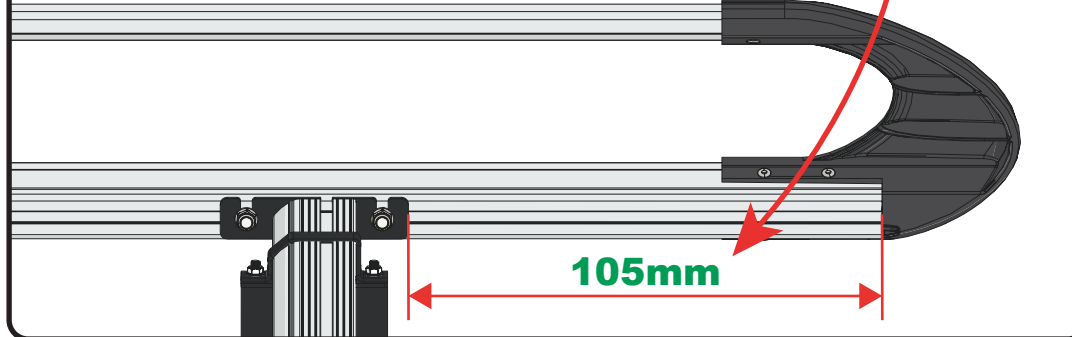
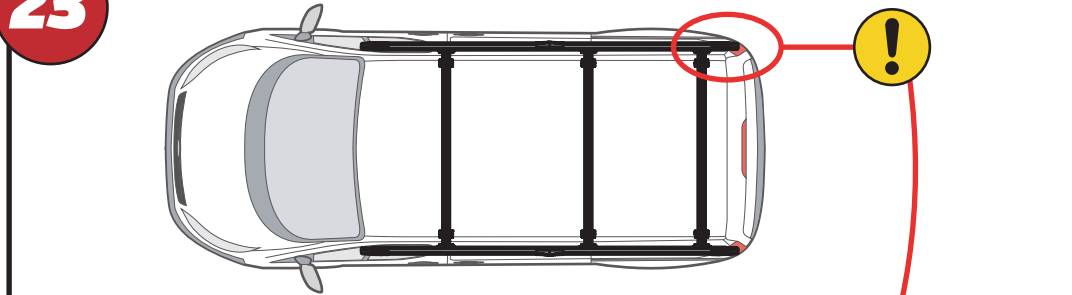
21

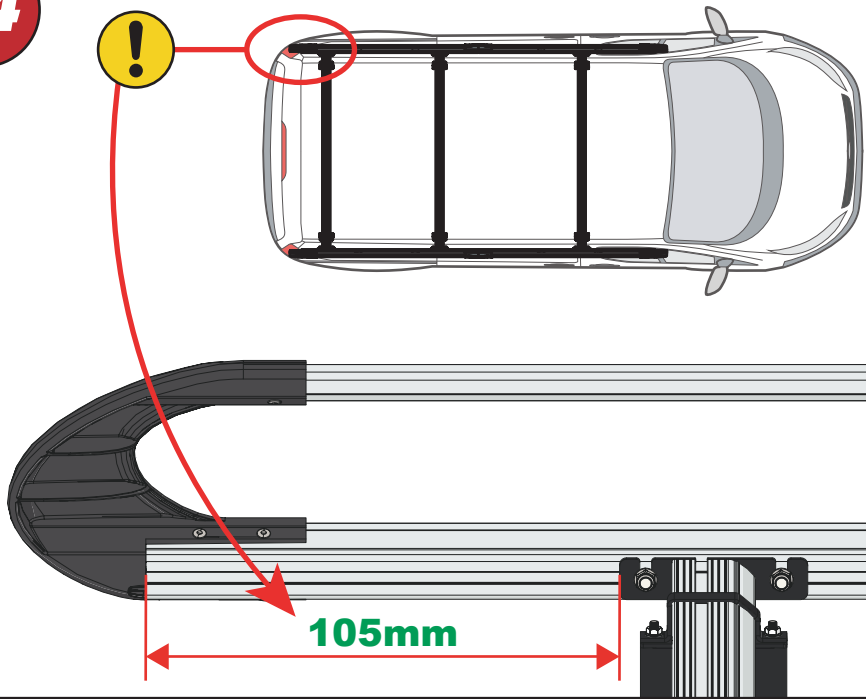
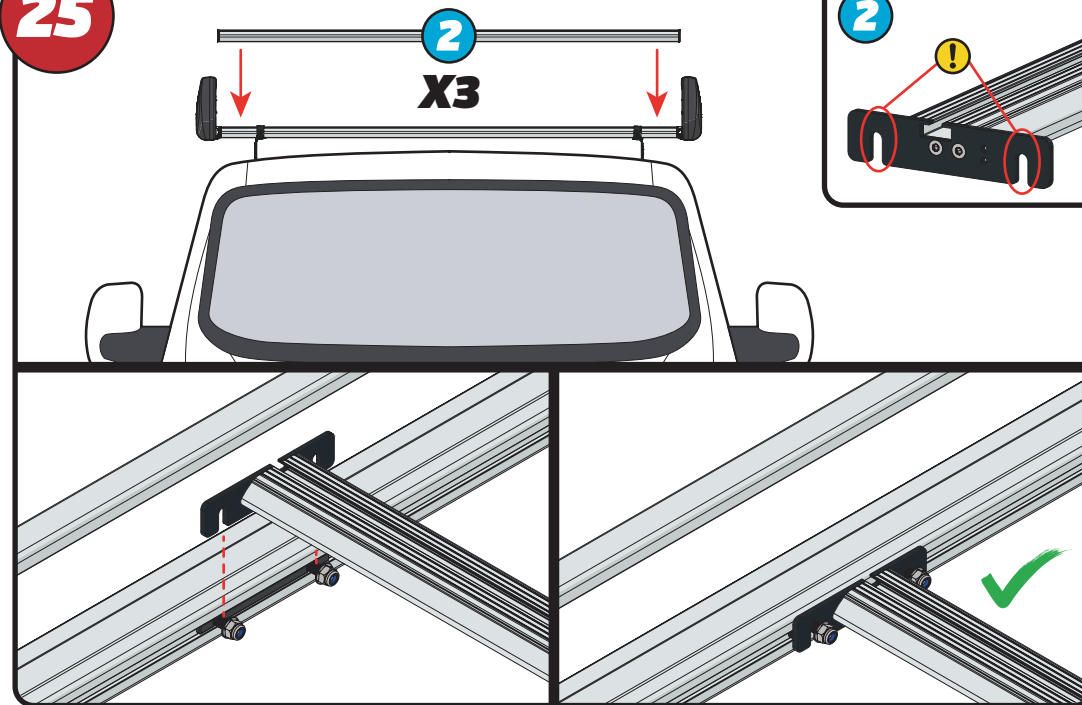


22

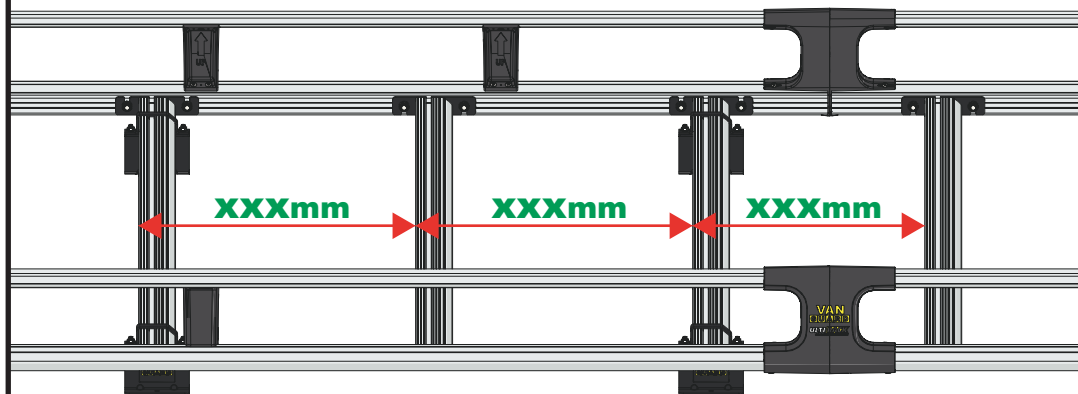
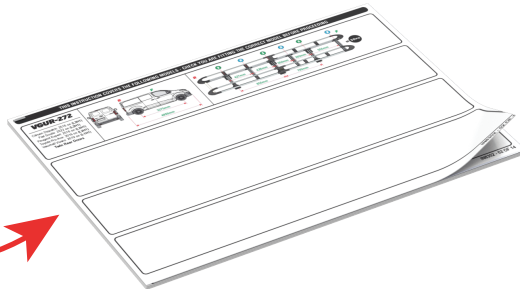
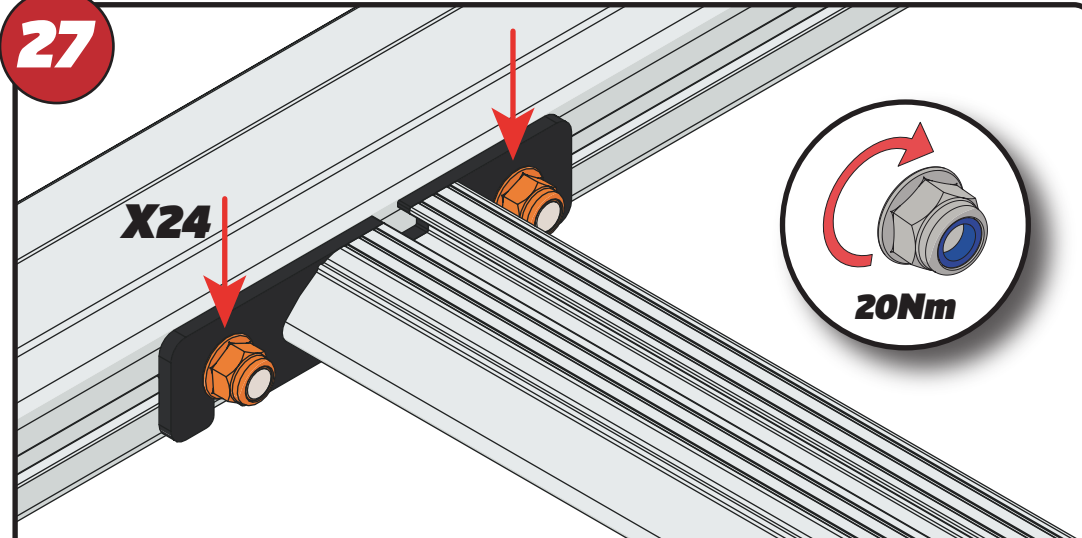


23



**24****25****26**

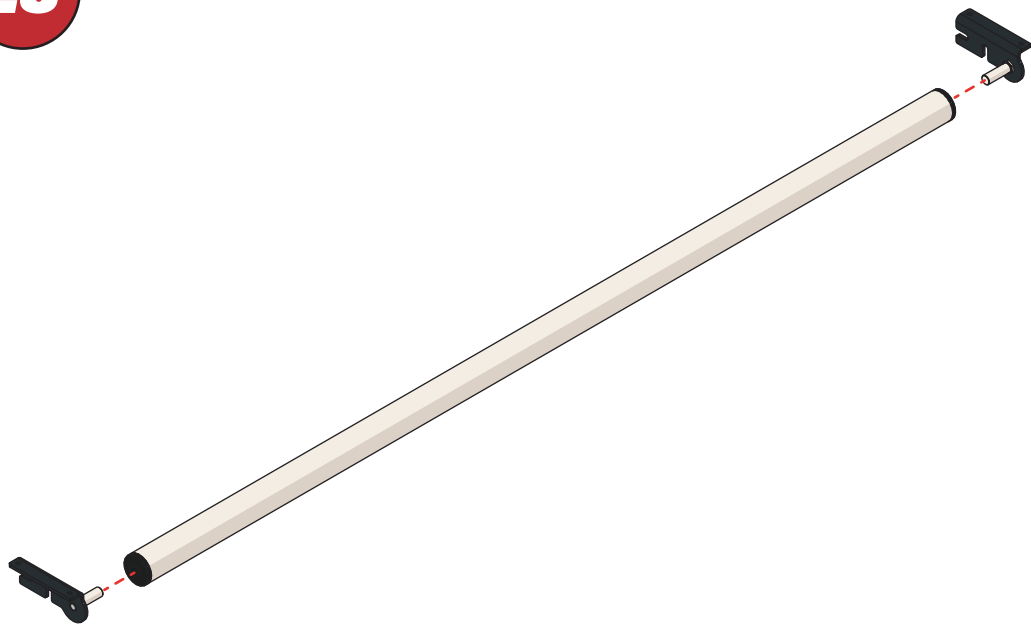
XXX =  
PAGE 2 OF 14

**27**

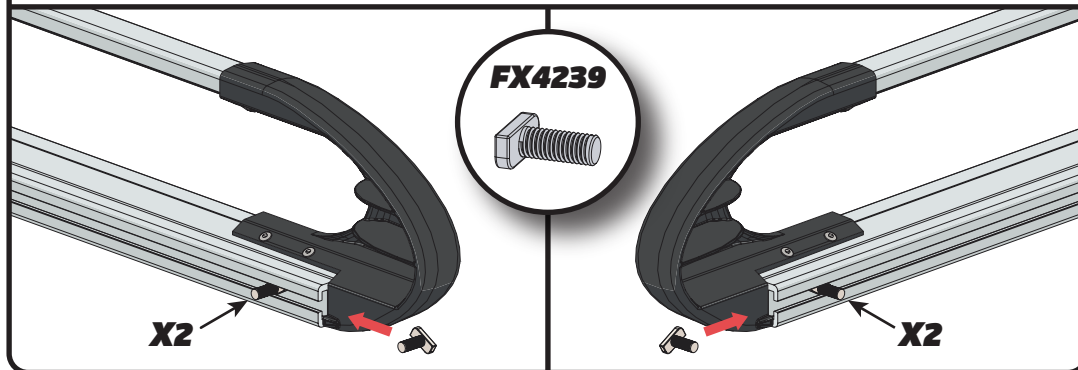
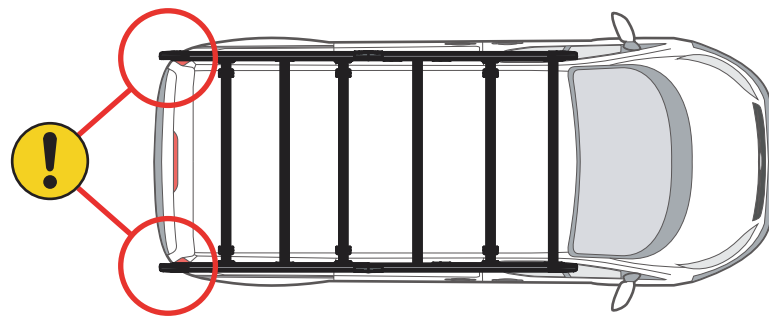
EN - TIGHTEN ALL OF THE CROSS BARS  
 DE - ALLE QUERSTANGEN FESTZIEHEN  
 FR - SERREZ TOUTES LES BARRES TRANSVERSALES  
 NL - DRAAI ALLE DWARSBALK VAN HET DAK AAN  
 ES - APRIETE TODAS LAS BARRAS TRANSVERSALES  
 IT - STRINGERE TUTTE LE BARRE TRASVERSALI

SV - SKRU UPP ALLA KORSSTANGAR  
 DA - SKRU ALLE TAGBØJLER OP  
 NO - SKRU OPP ALLE TVERRSTENGER  
 PL - DOKRĘCIĆ WSZYSTKIE POPRZECZKI  
 CS - VŠECHNY PŘÍČNÉ TYČE SEŠROUJTE

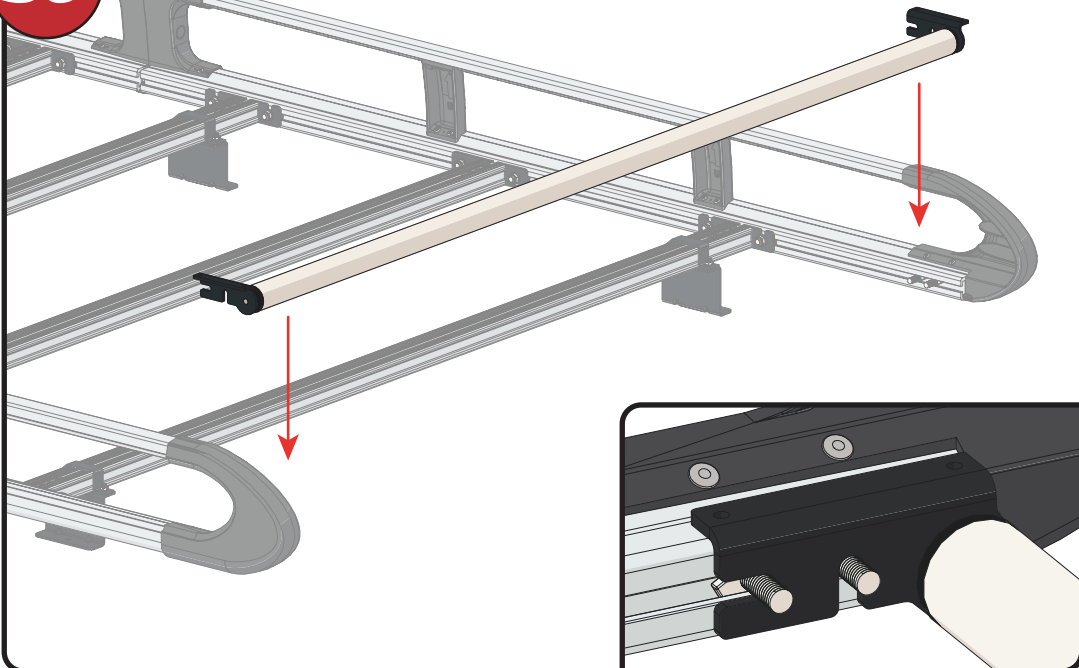
28



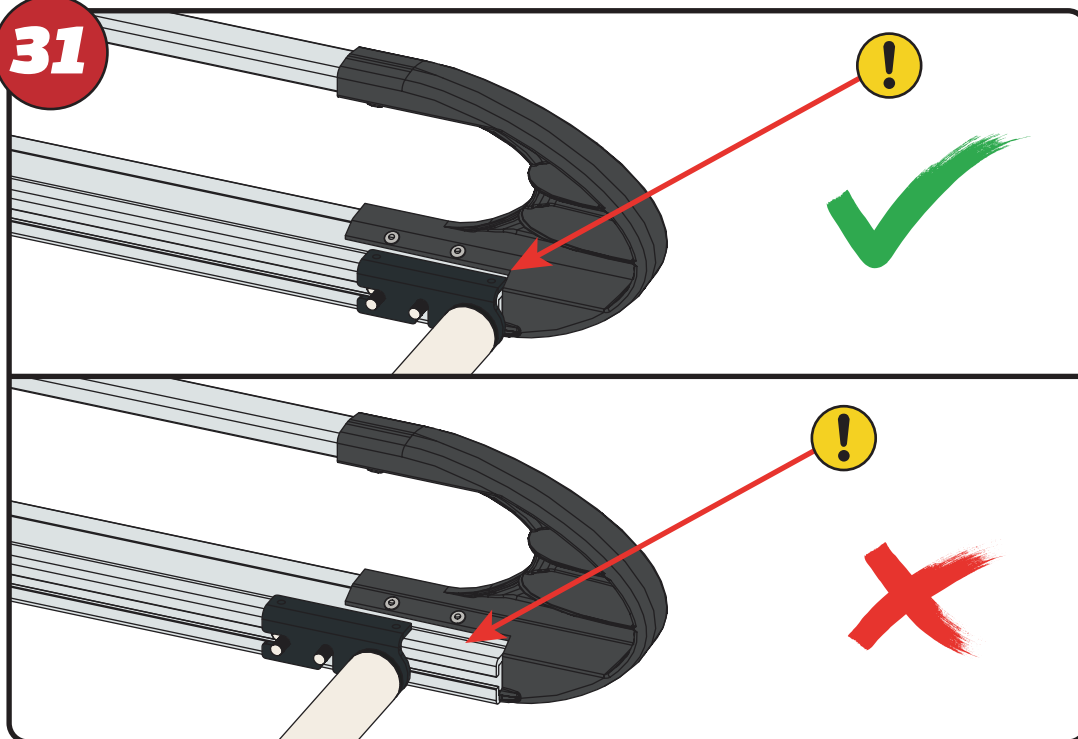
29



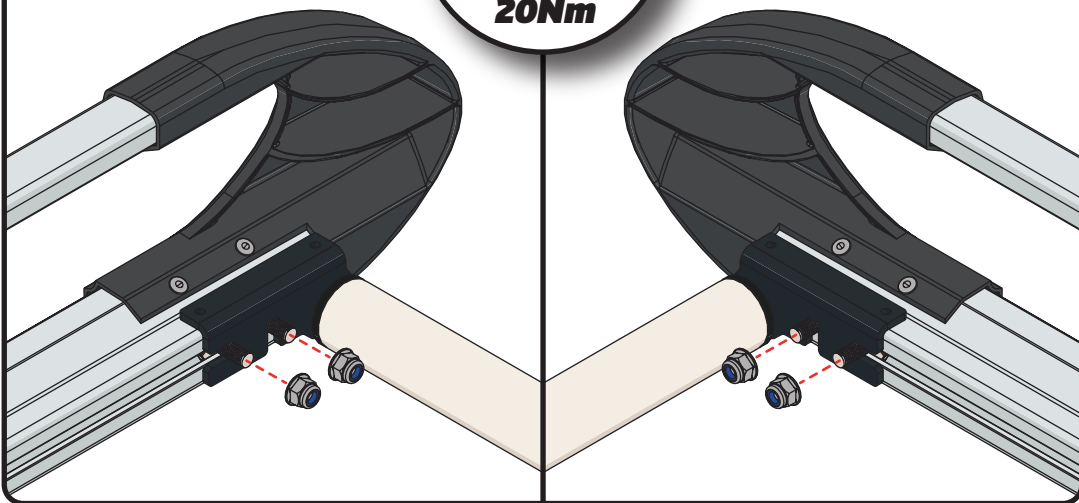
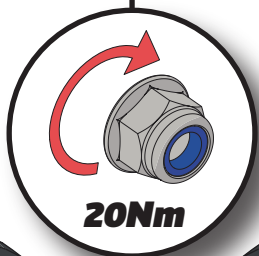
30



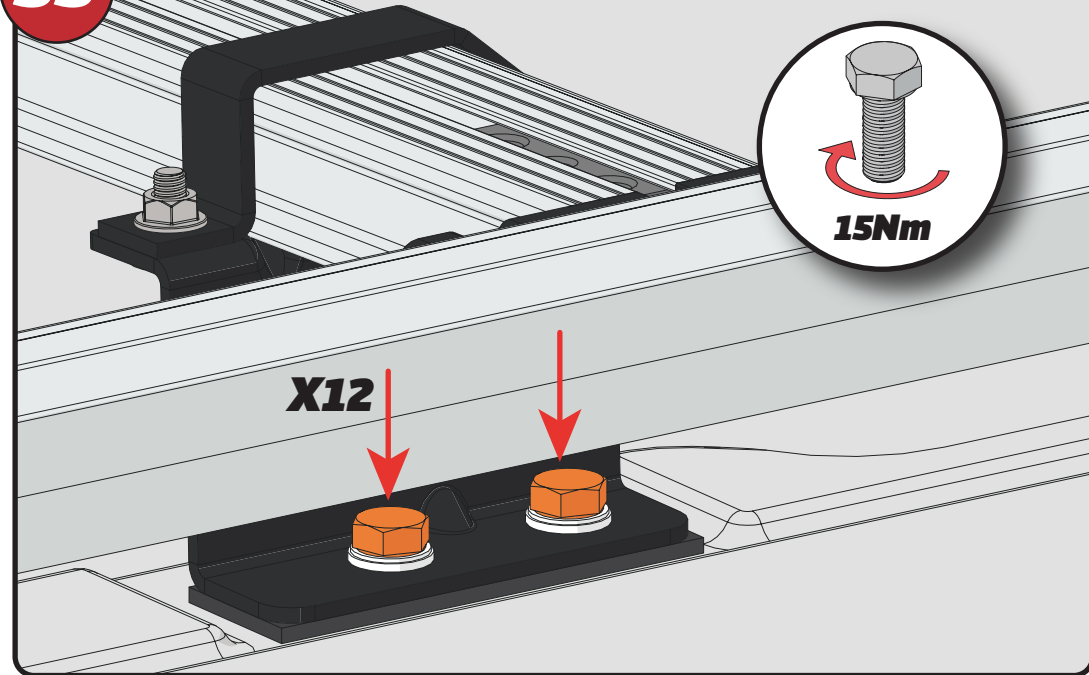
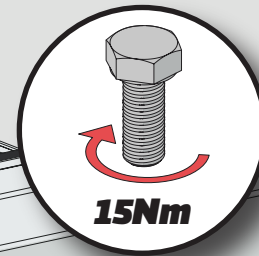
31



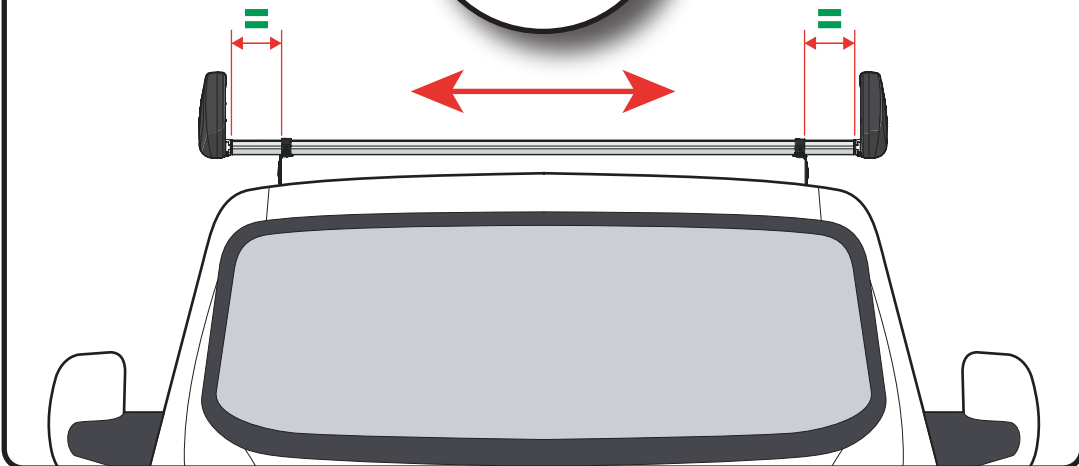
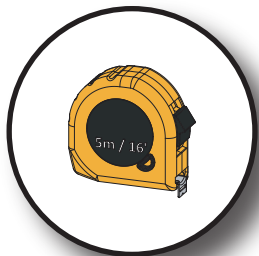
32



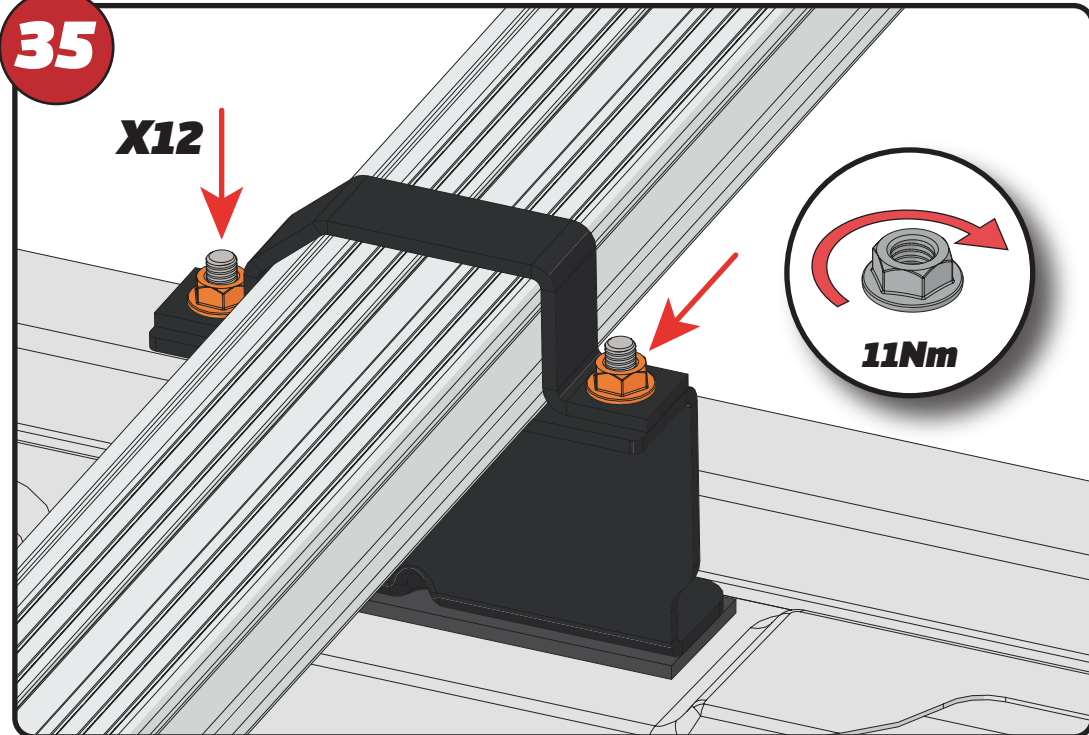
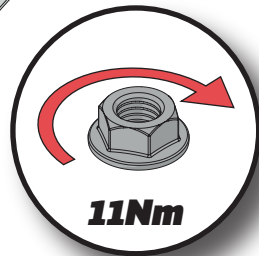
33



34



35

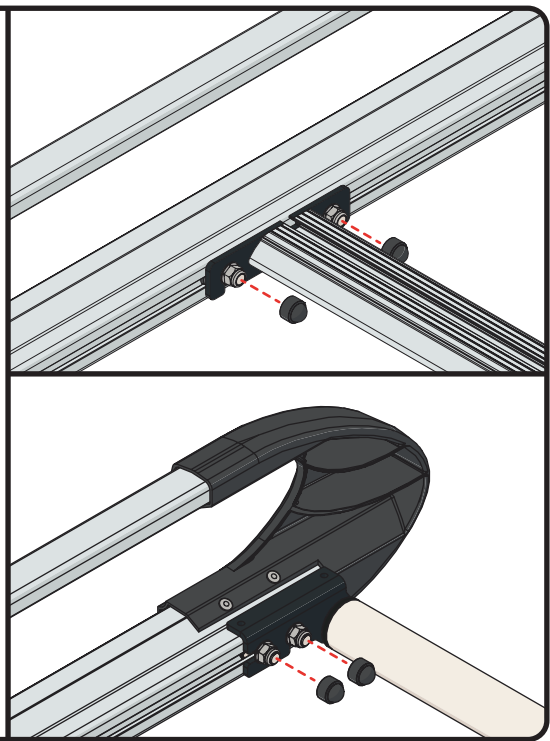


36



FX4241

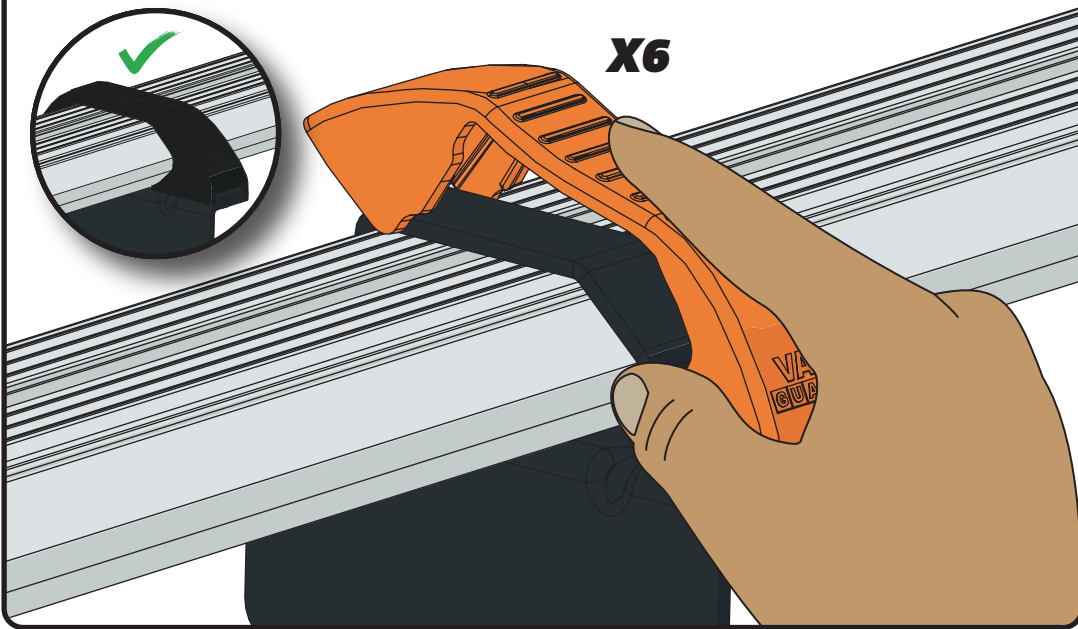
X28



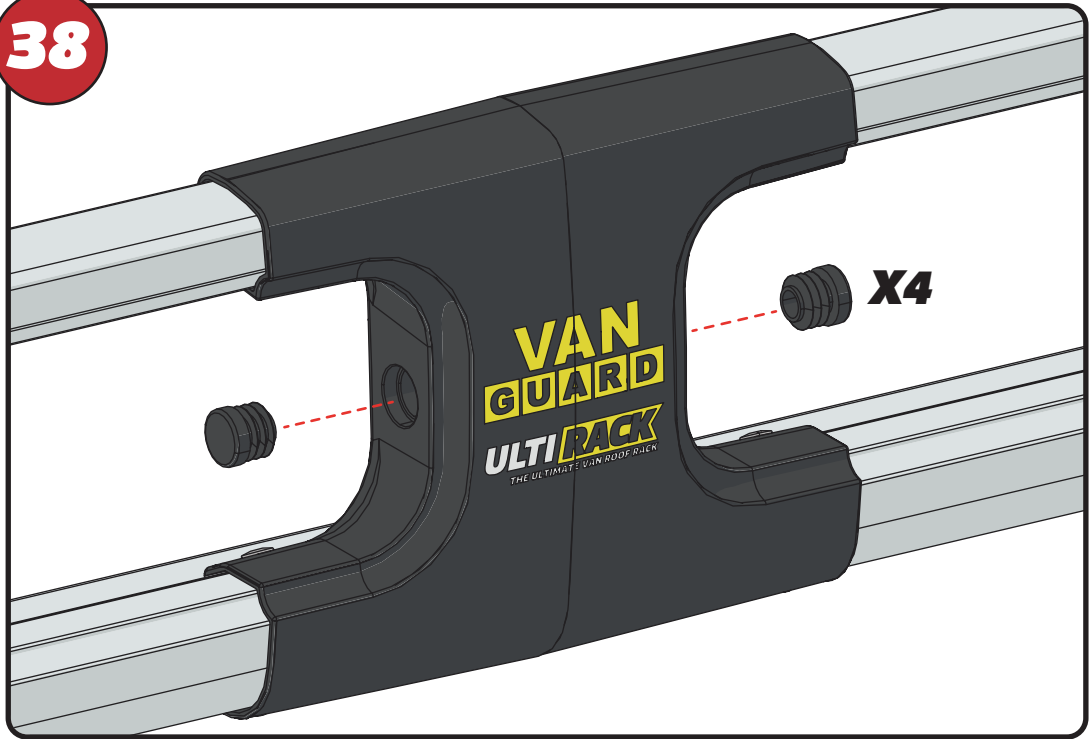
37



X6



38



VAN GUARD  
ULTI RACK  
THE ULTIMATE VAN ROOF RACK

X4

39

