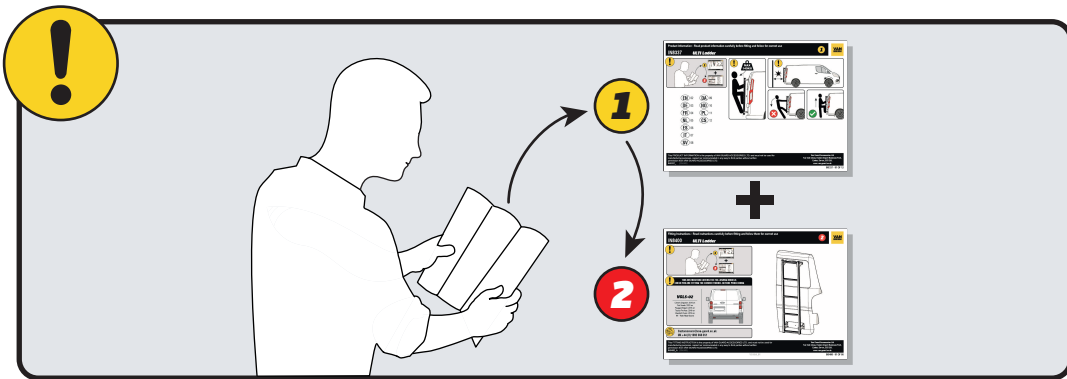


IN8406

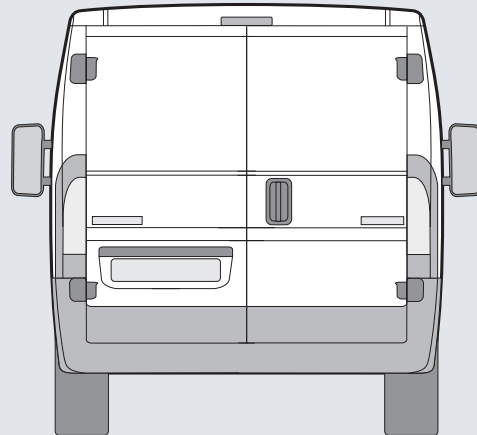
ULTI Ladder



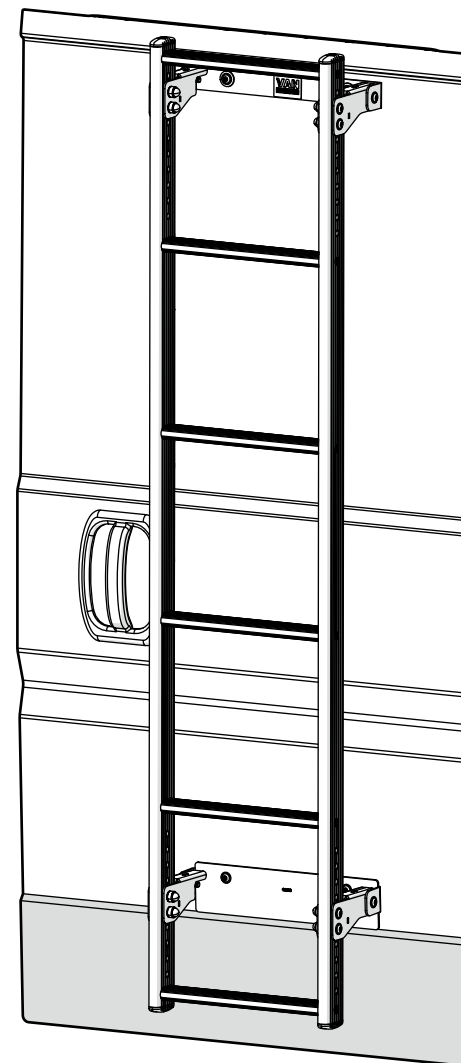
**THIS INSTRUCTION COVERS THE FOLLOWING MODELS
CHECK YOU ARE FITTING THE CORRECT MODEL BEFORE PROCEEDING**

VGL6-02

- Citroen Relay: 2006 on
 - Fiat Ducato: 2006 on
 - Peugeot Boxer: 2006 on
 - Vauxhall Movano: 2022 on
- H1 - Twin Rear Doors**



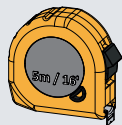
Customercare@van-guard.co.uk
UK +44 (0) 1392 368 351



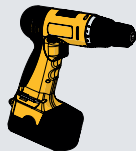
SUPPLIED COMPONENTS - CHECK ALL PARTS ARE PRESENT AND CORRECT BEFORE PROCEEDING

TOOLS REQUIRED

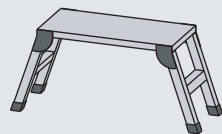
13MM X1



4MM X1



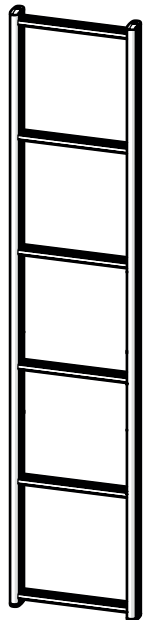
9MM X1



X1

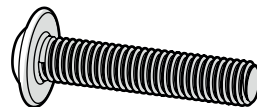


AS3593 X1



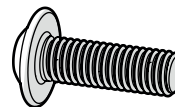
FX4249 X8

(M8X40)



FX4250 X10

(M8X25)

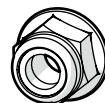


ME1946 X1

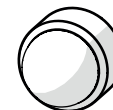


FX4240 X18

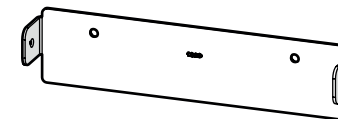
(M8)



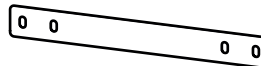
FX4241 X8



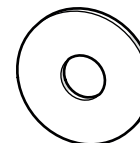
ME1909 X1



MA6200 X3



FX4252 X2



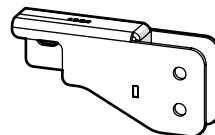
ME1633 X1



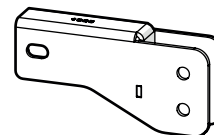
FX4008 X1



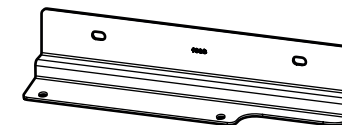
ME1906 X2



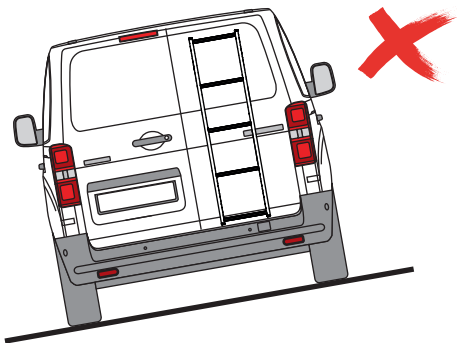
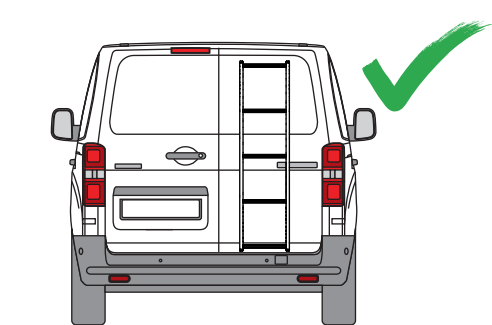
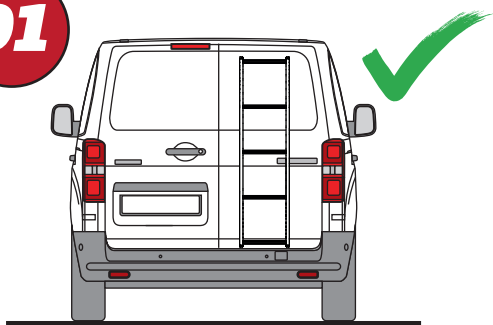
ME1905 X2



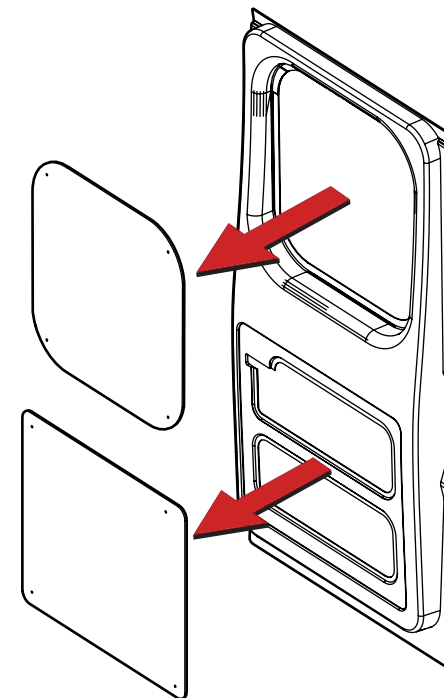
ME1908 X1



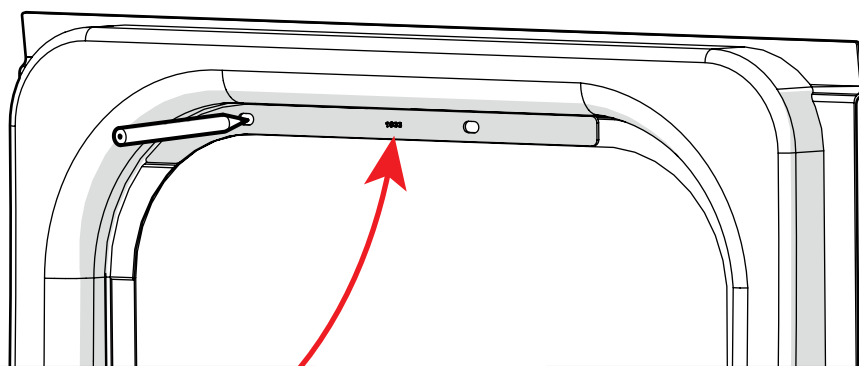
01



02



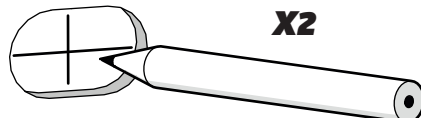
03



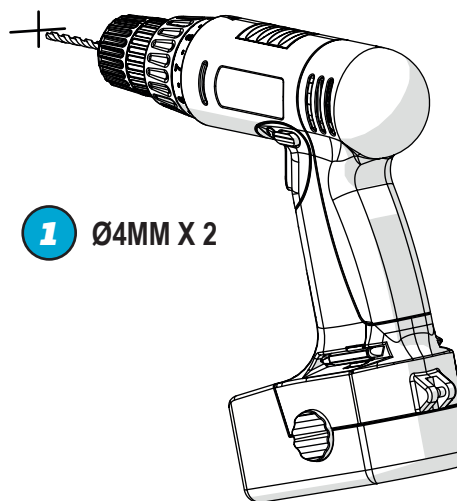
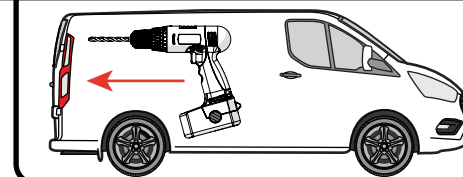
ME1633



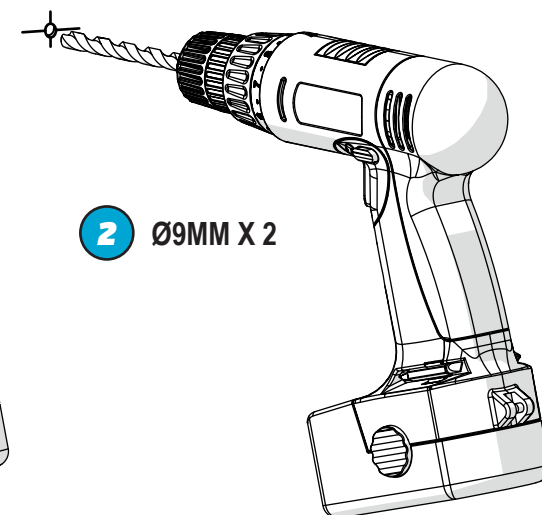
X2



04



1 Ø4MM X 2

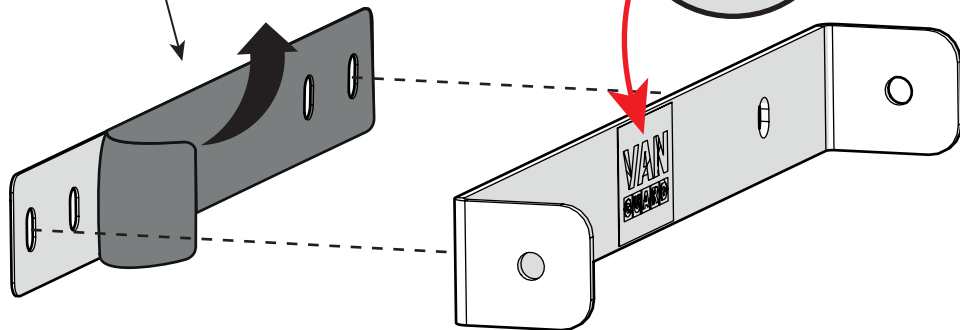


2 Ø9MM X 2

05

MA6200

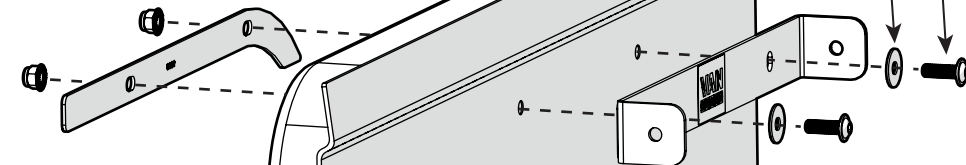
VAN
GUARD



06

FX4250

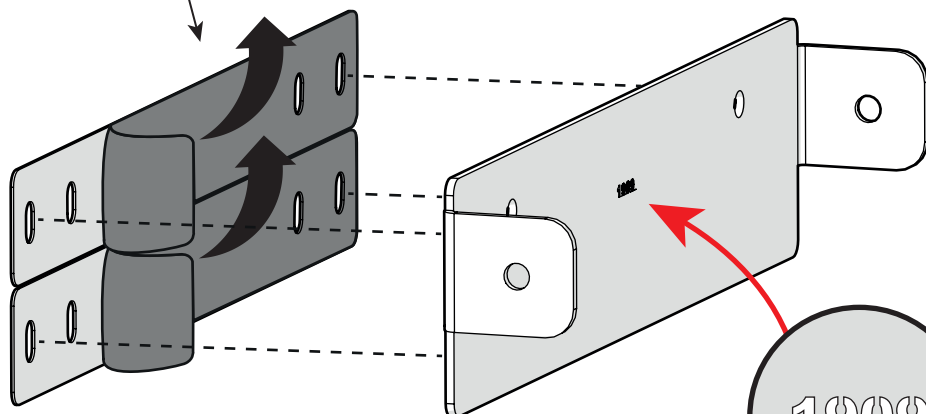
FX4252



07

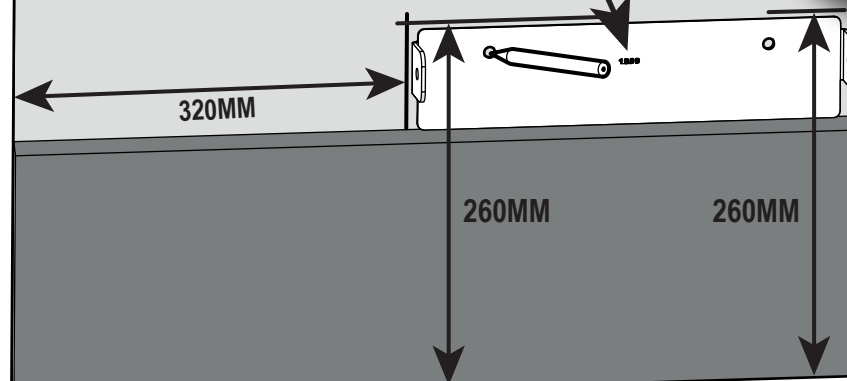
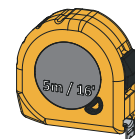
MA6200

1909

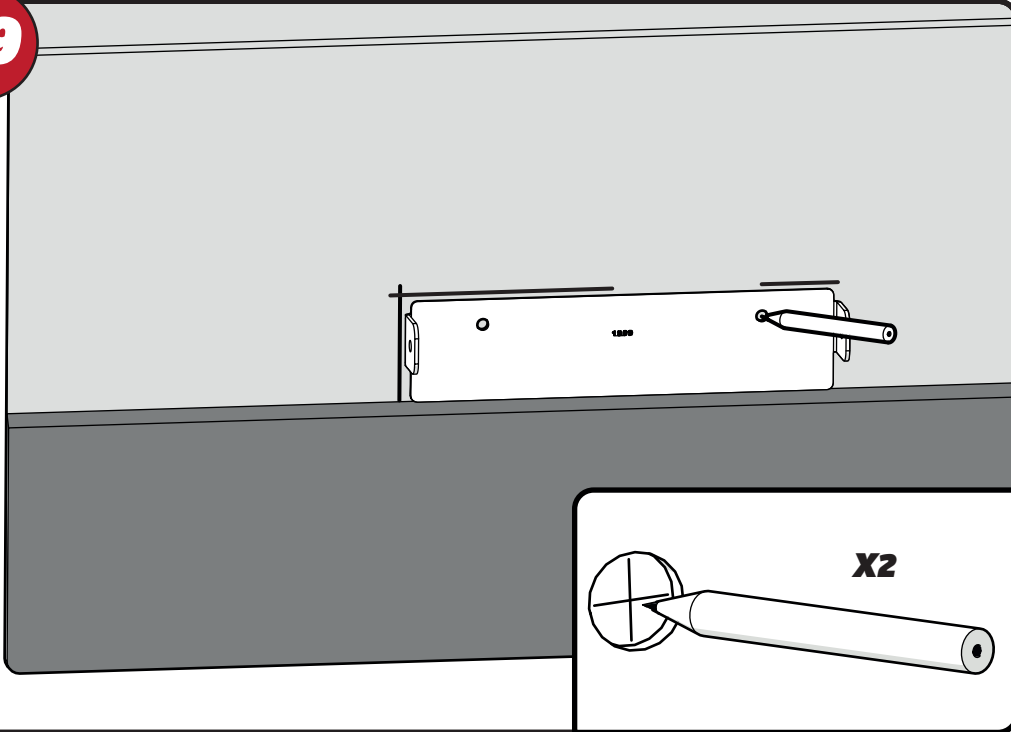


08

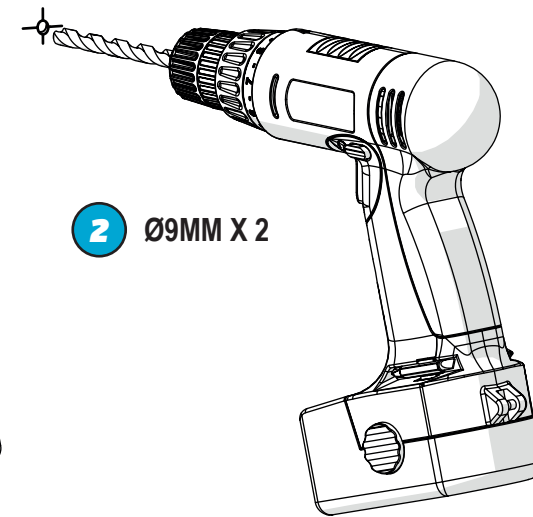
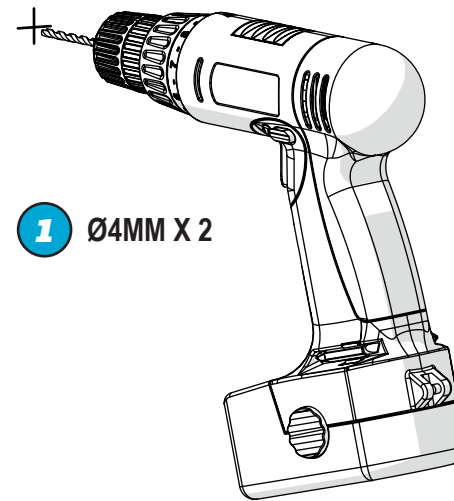
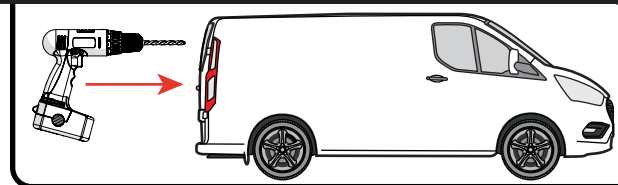
1909



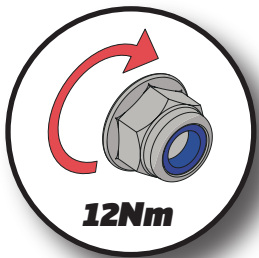
09



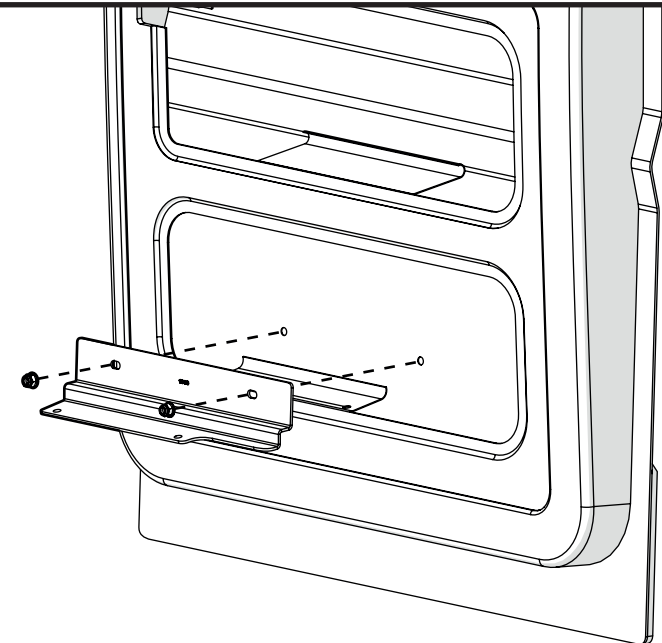
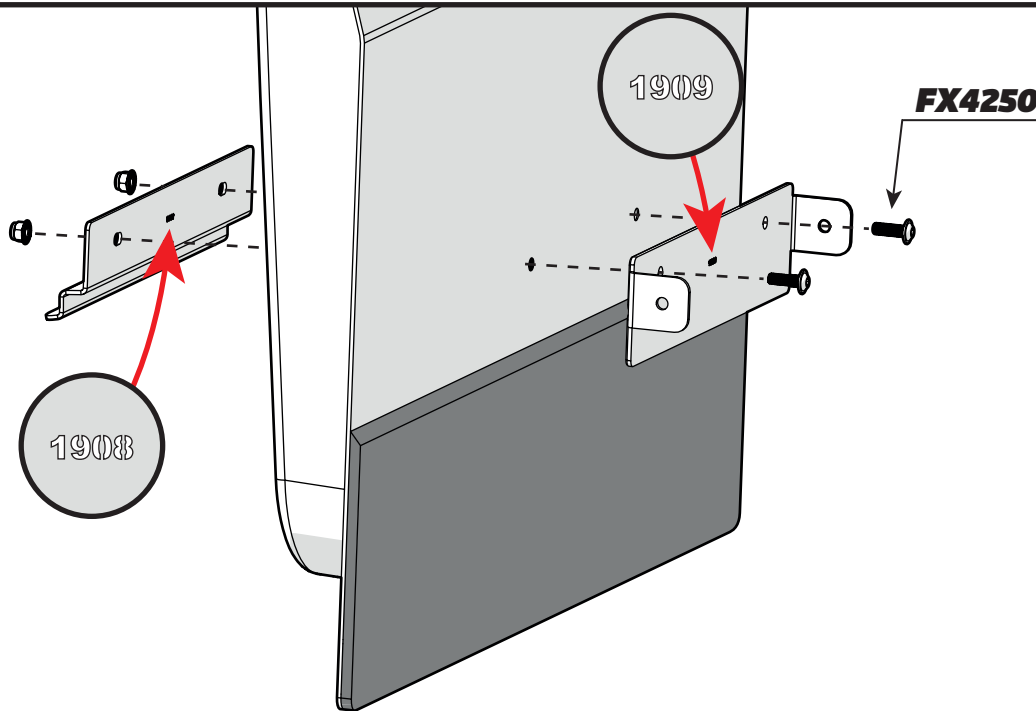
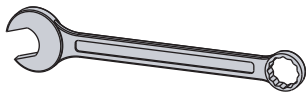
10



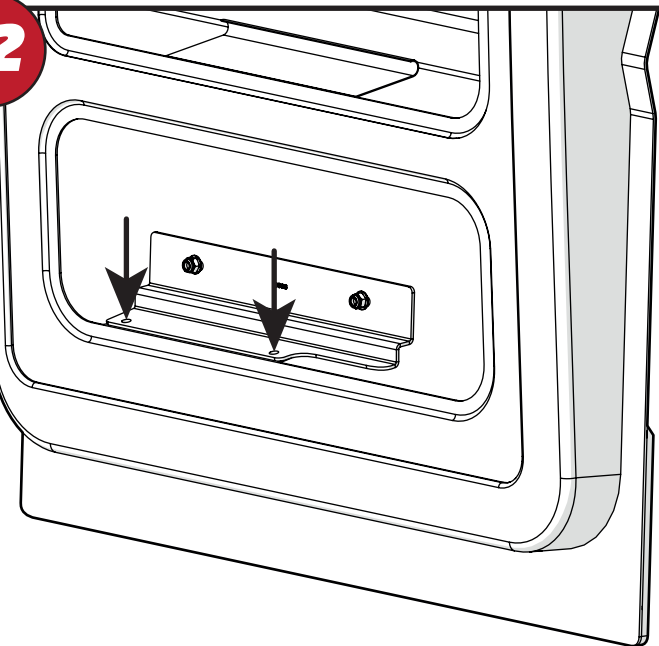
11



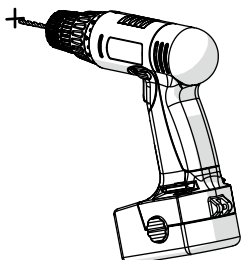
FX4008



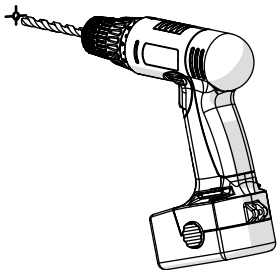
12



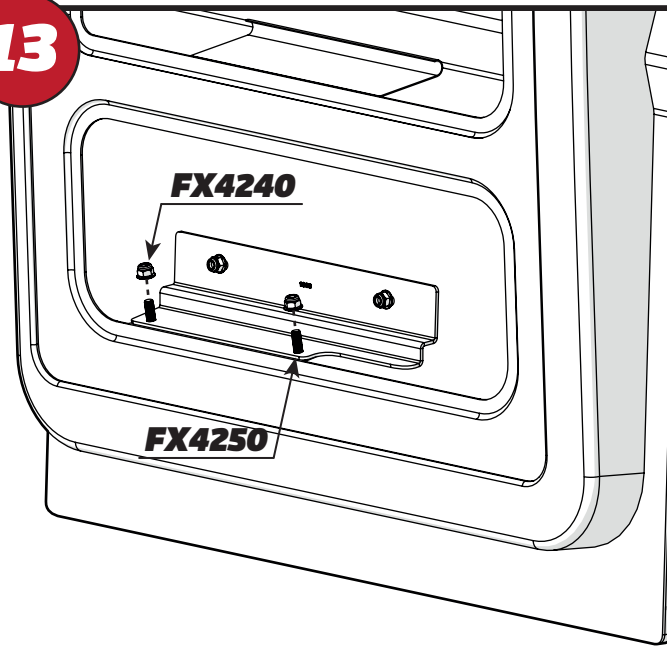
1 Ø4MM X 2



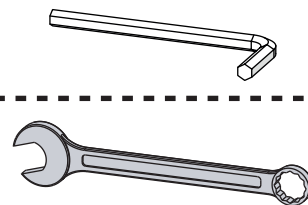
2 Ø9MM X 2



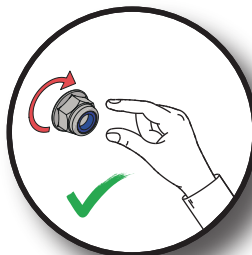
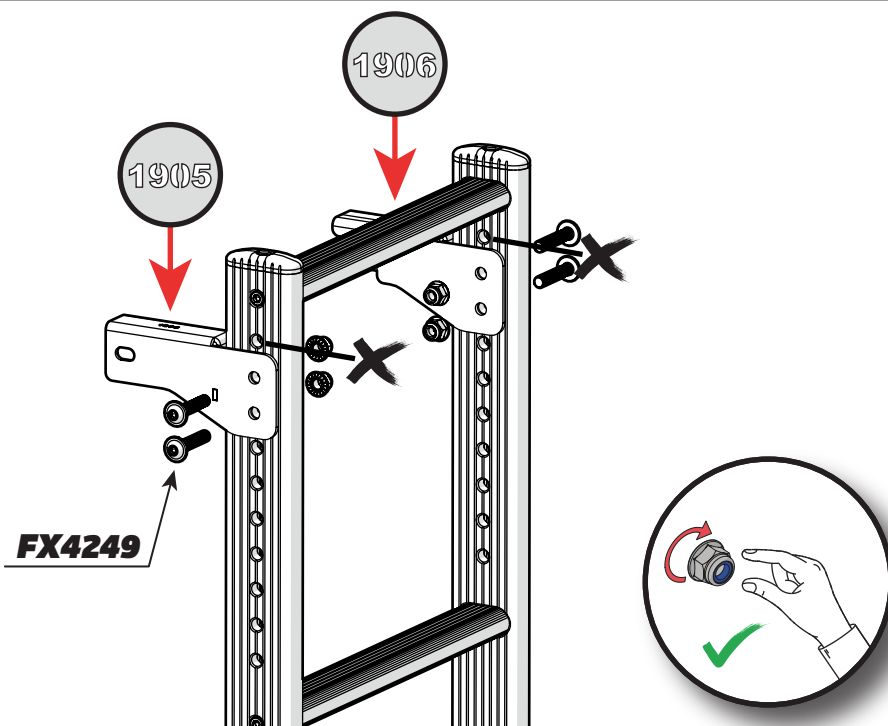
13



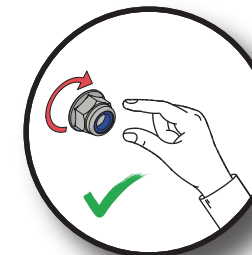
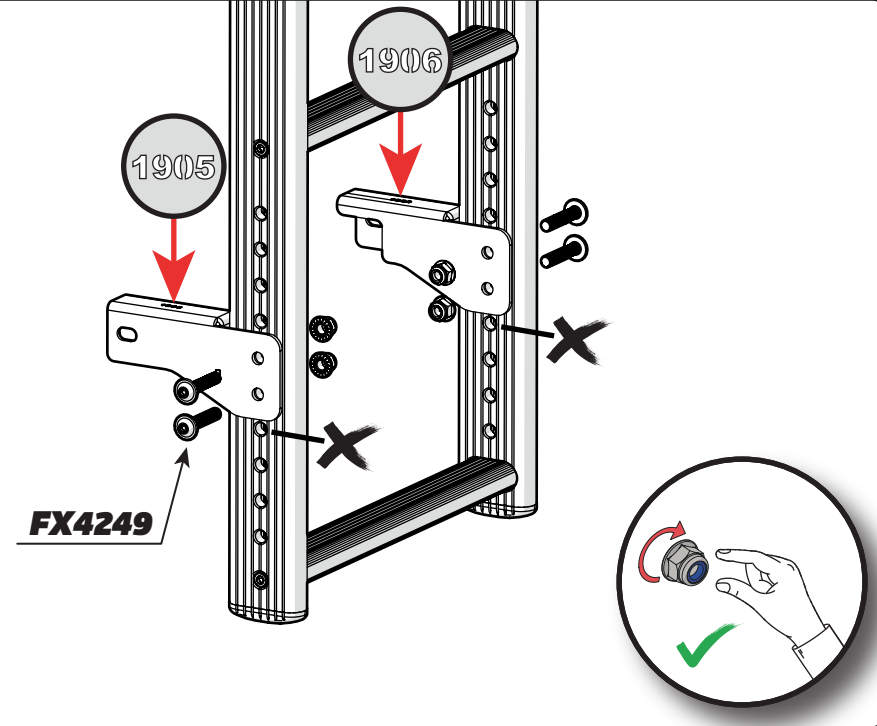
FX4008



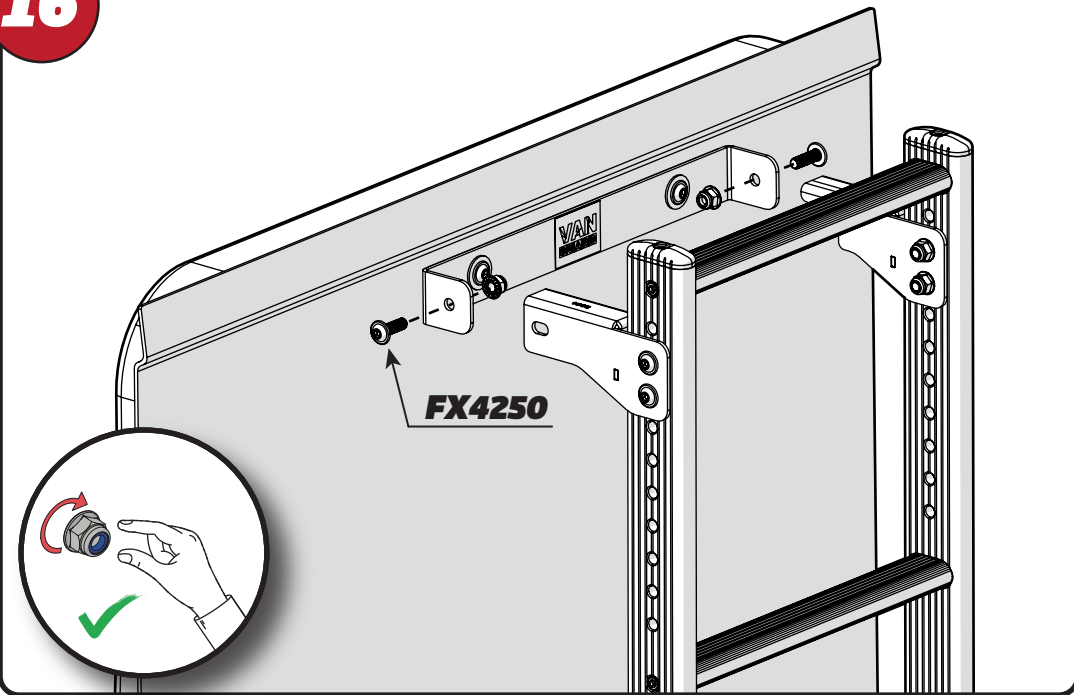
14



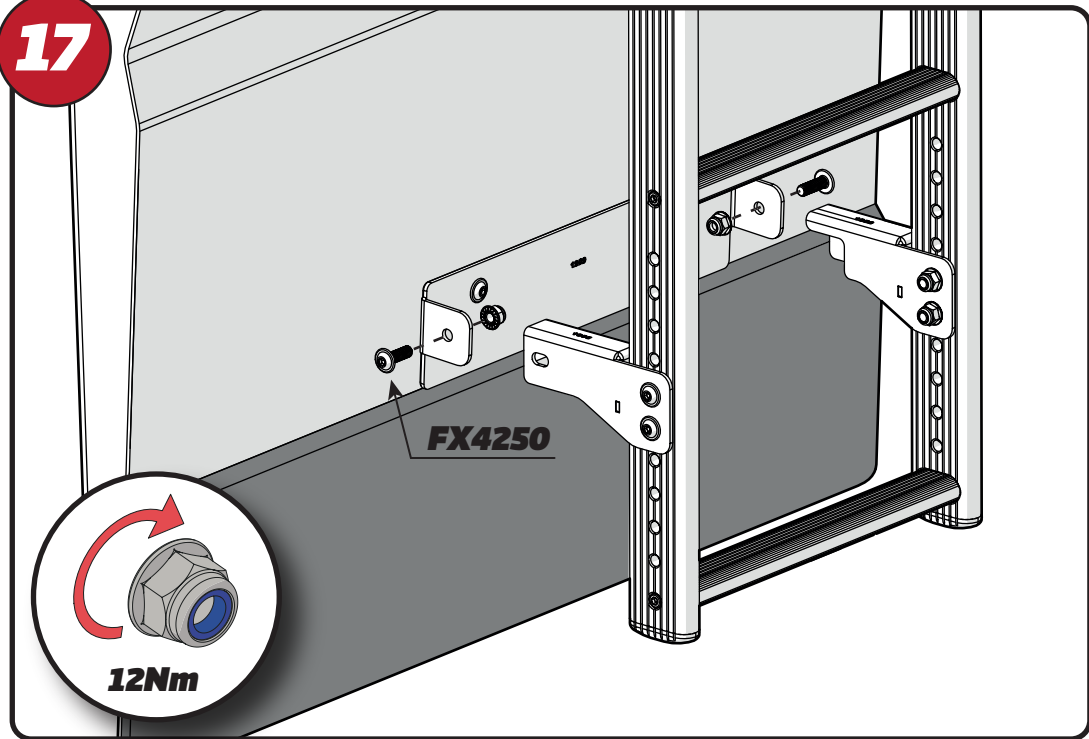
15



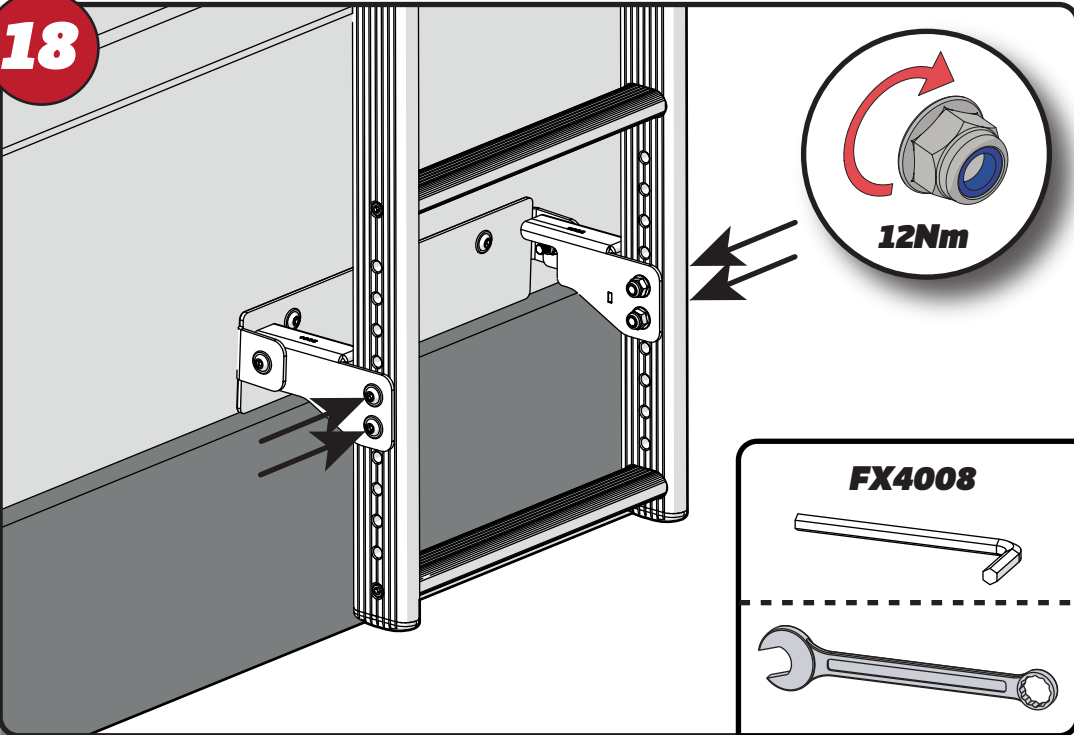
16



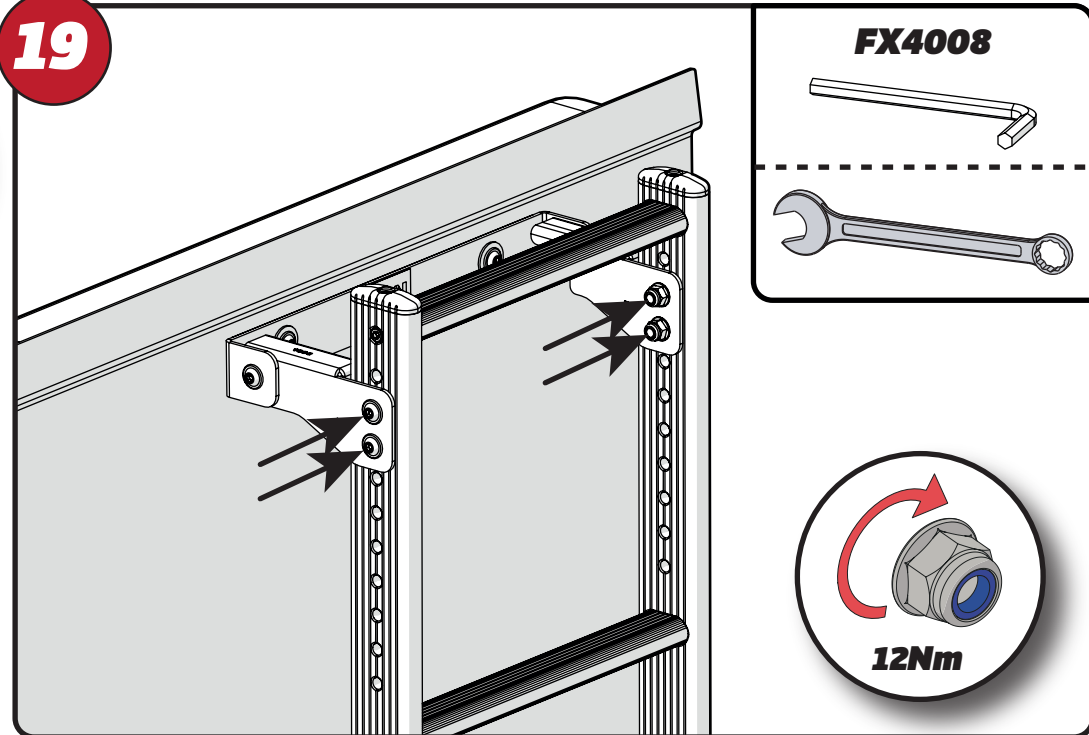
17



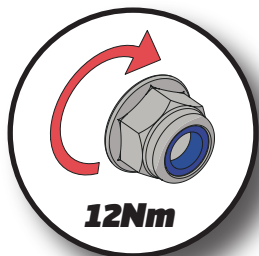
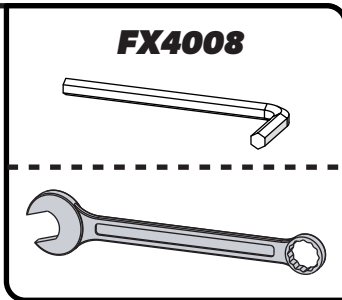
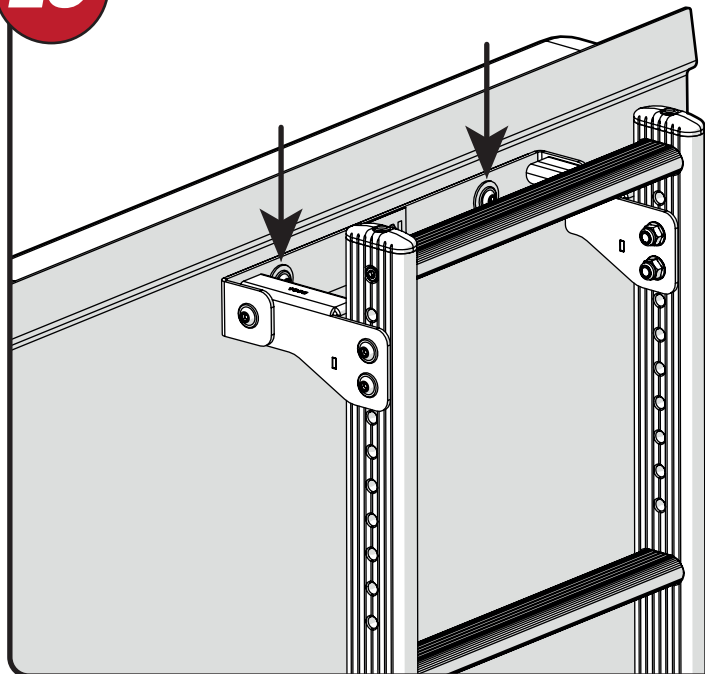
18



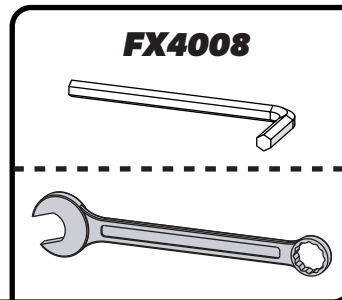
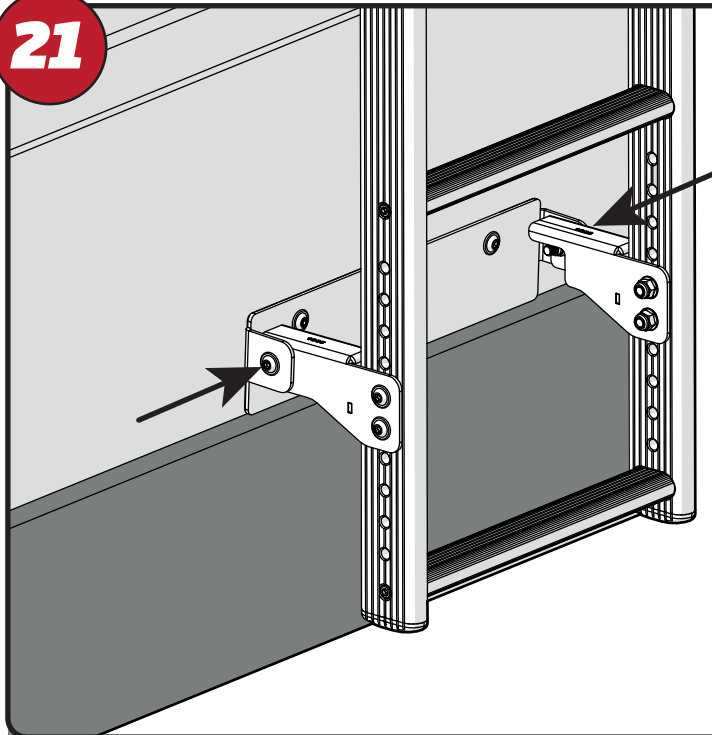
19



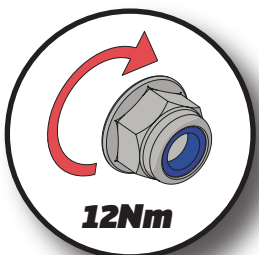
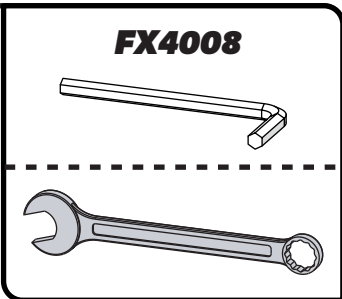
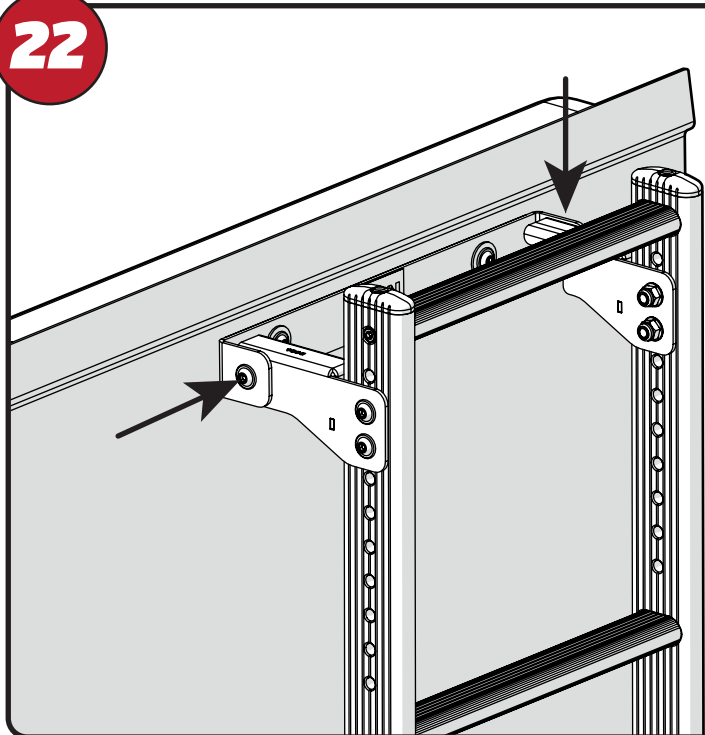
20



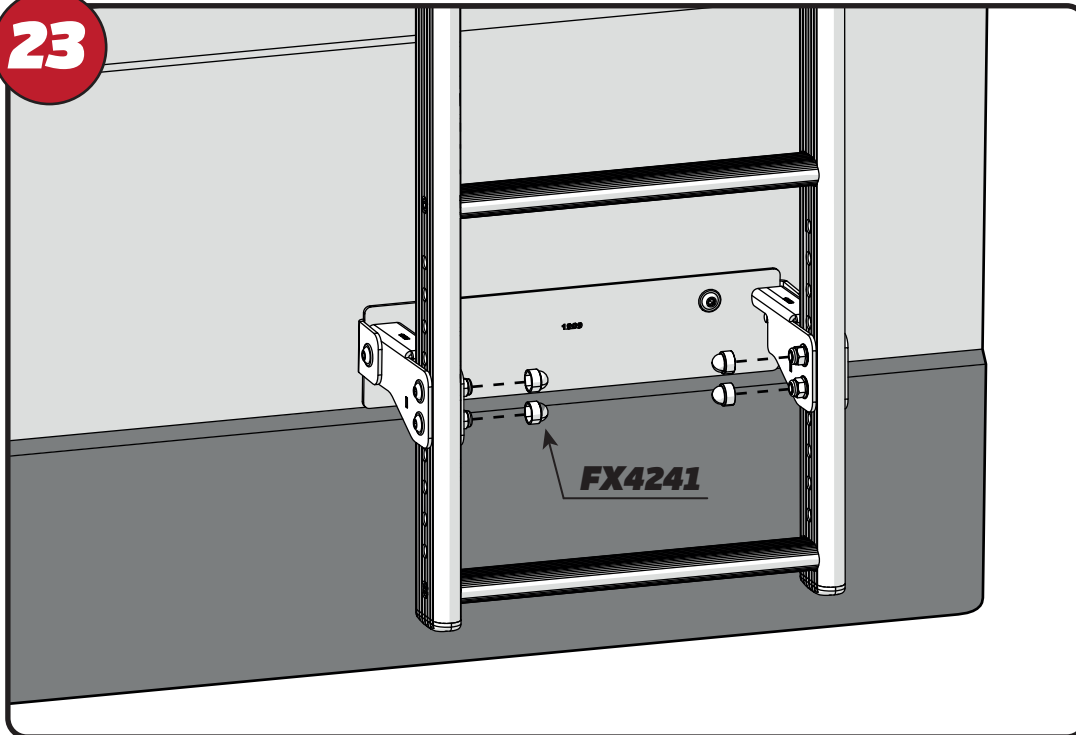
21



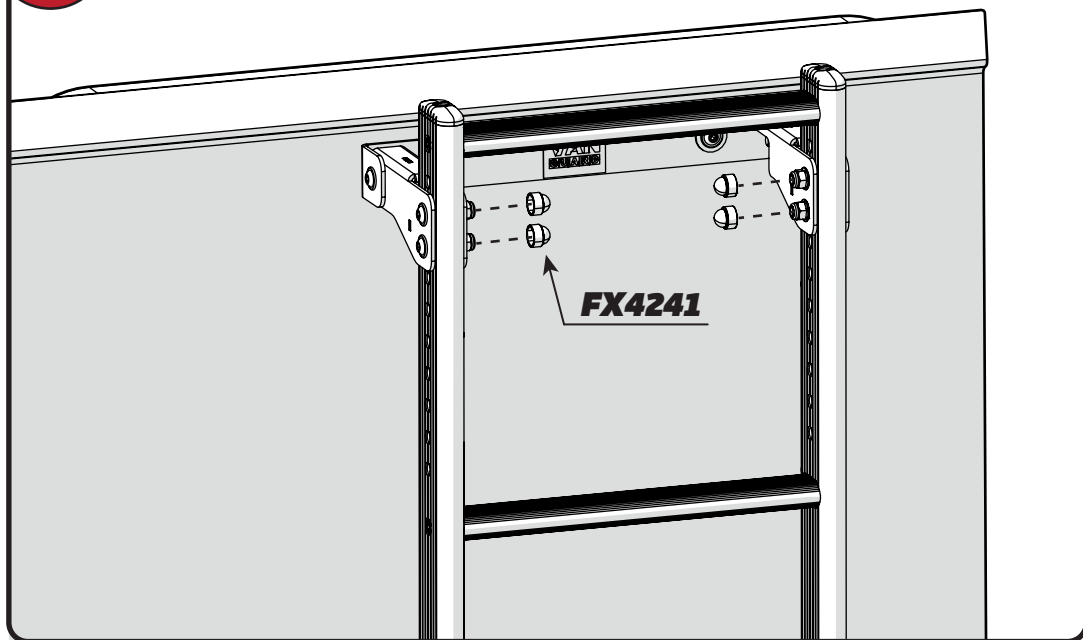
22



23



24



25

