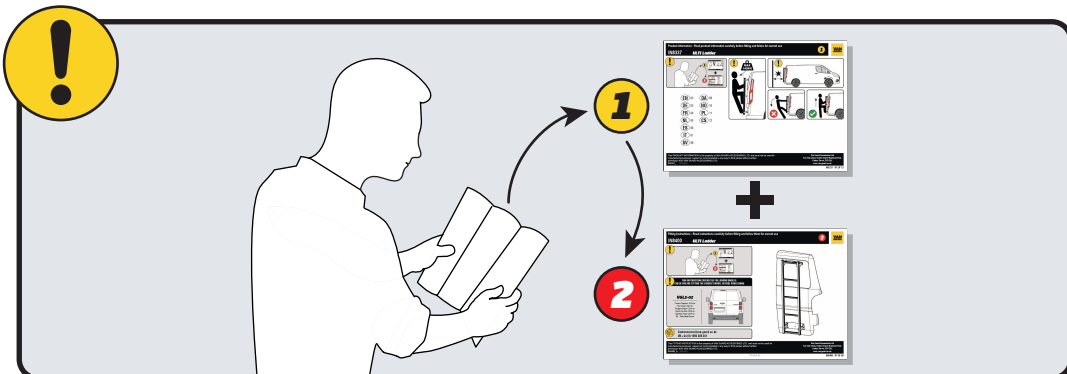


IN8417

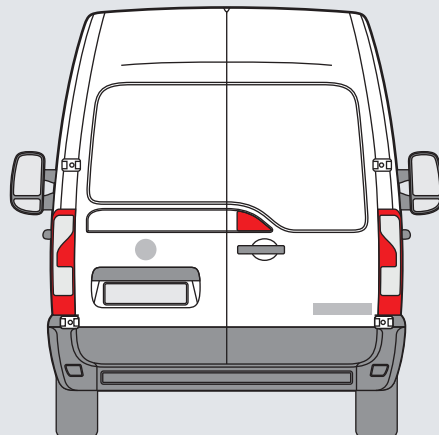
ULTI Ladder



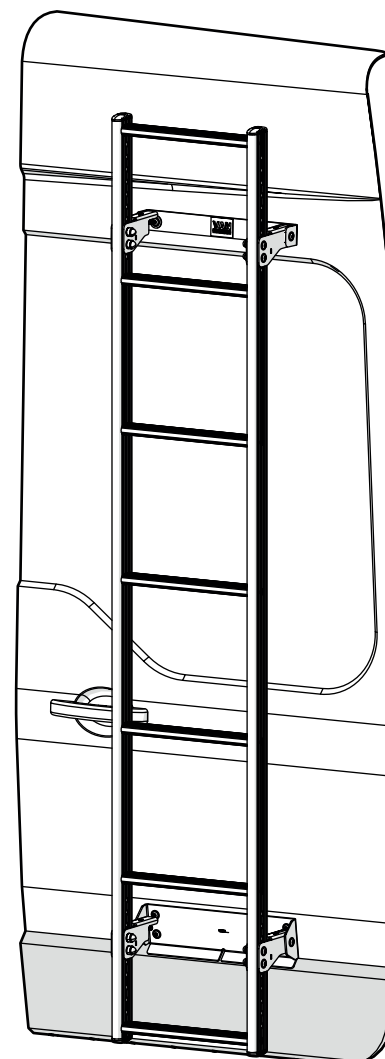
**THIS INSTRUCTION COVERS THE FOLLOWING MODELS
CHECK YOU ARE FITTING THE CORRECT MODEL BEFORE PROCEEDING**

VGL7-06

- Nissan NV400: 2010-2021
- Nissan Interstar: 2022-2024
- Renault Master: 2010-2024
- Vauxhall Movano: 2010-2021
- H2 - Twin Rear Doors



Customercare@van-guard.co.uk
UK +44 (0) 1392 368 351



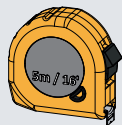
This FITTING INSTRUCTION is the property of VAN GUARD ACCESSORIES LTD. and must not be used for manufacturing purposes, copied nor communicated in any way to third parties without written permission from VAN GUARD ACCESSORIES LTD.
IN8417_B (CN:00140)

Van Guard Accessories Ltd
Fair Oak Close, Exeter Airport Business Park,
Exeter, Devon, EX5 2UL
www.van-guard.co.uk

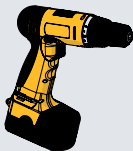
SUPPLIED COMPONENTS - CHECK ALL PARTS ARE PRESENT AND CORRECT BEFORE PROCEEDING

TOOLS REQUIRED

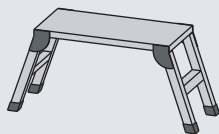
13MM X1



4MM X1



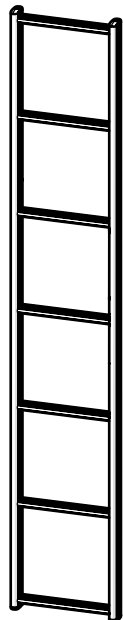
9MM X1



X1

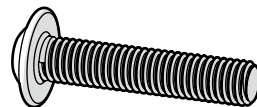


AS3594 X1



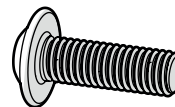
FX4249 X8

(M8X40)



FX4250 X10

(M8X25)



ME1944 X1

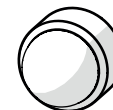


FX4240 X18

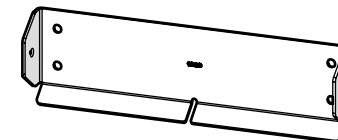
(M8)



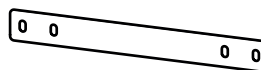
FX4241 X8



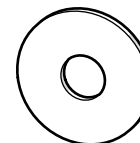
ME1938 X1



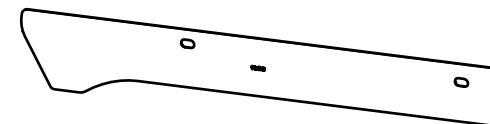
MA6200 X3



FX4252 X2



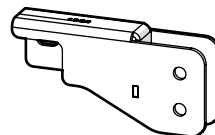
ME1928 X1



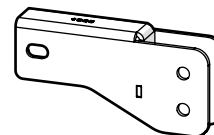
FX4008 X1



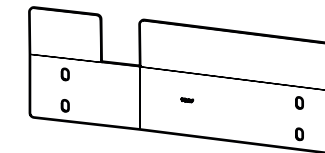
ME1906 X2



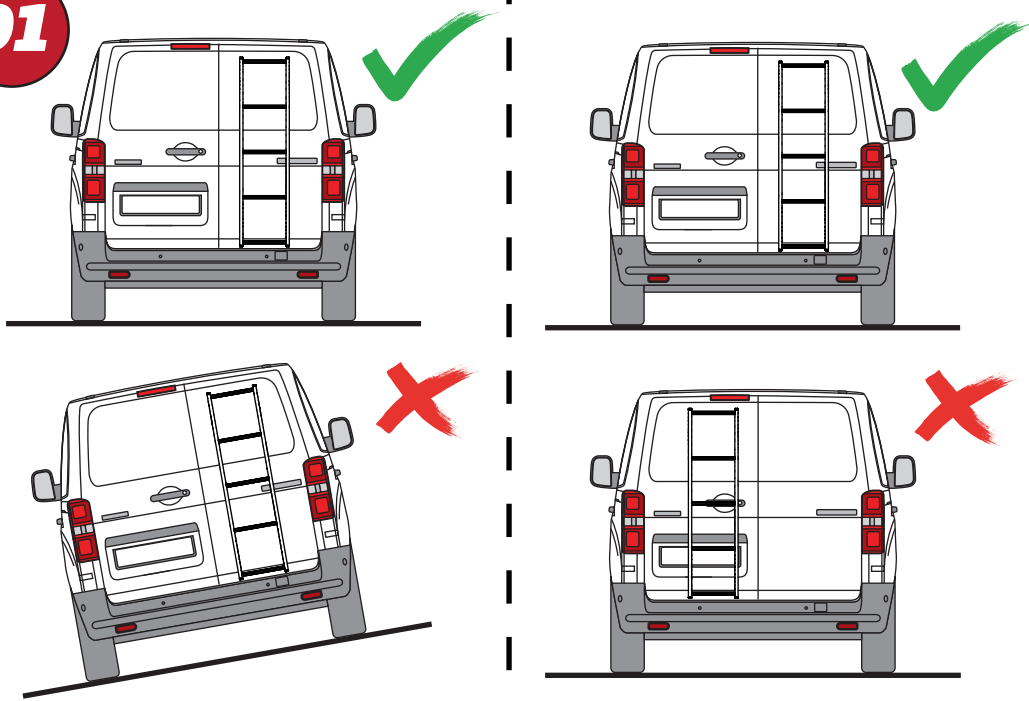
ME1905 X2



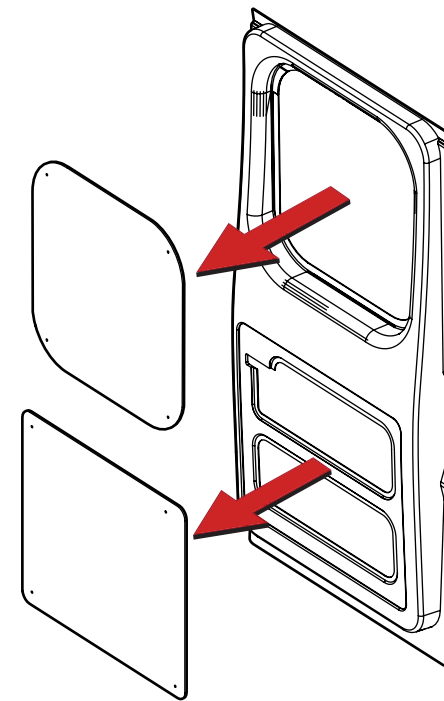
ME1937 X1



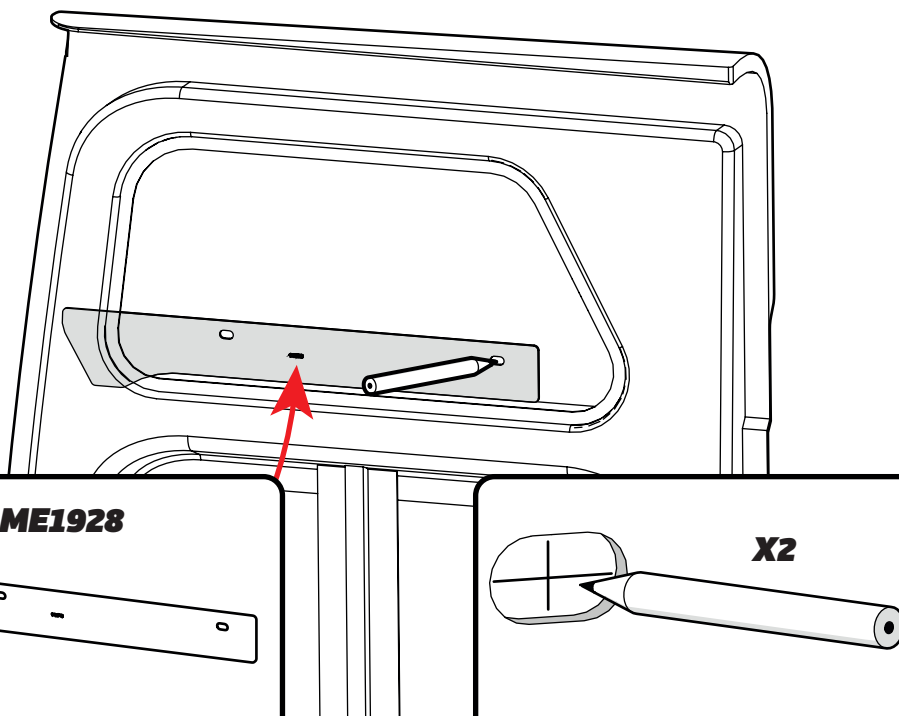
01



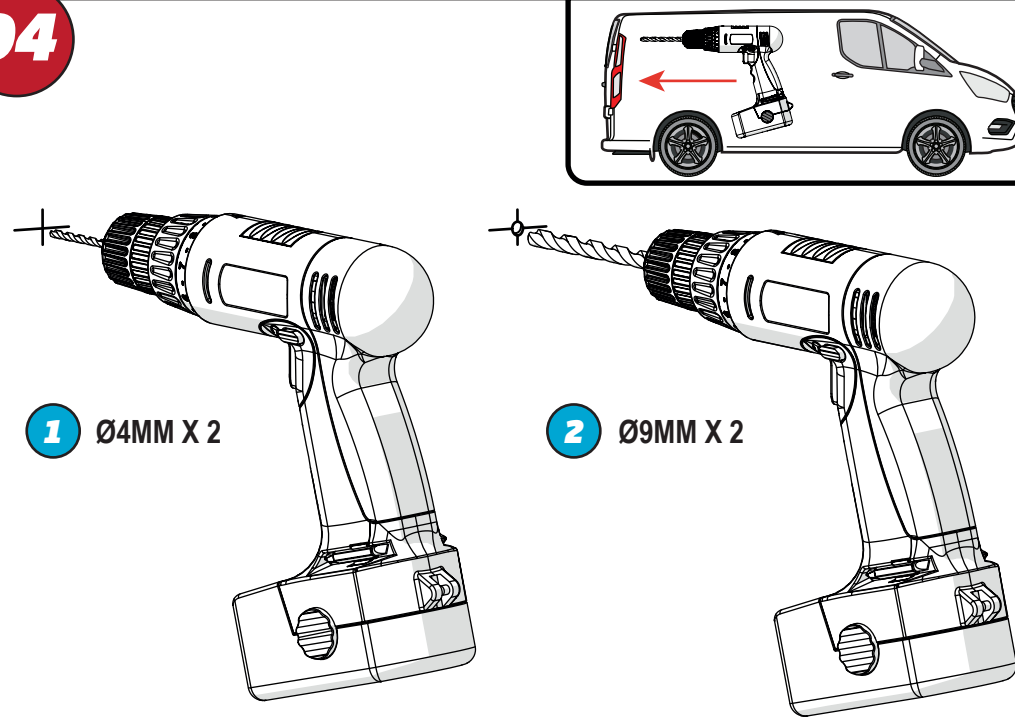
02



03

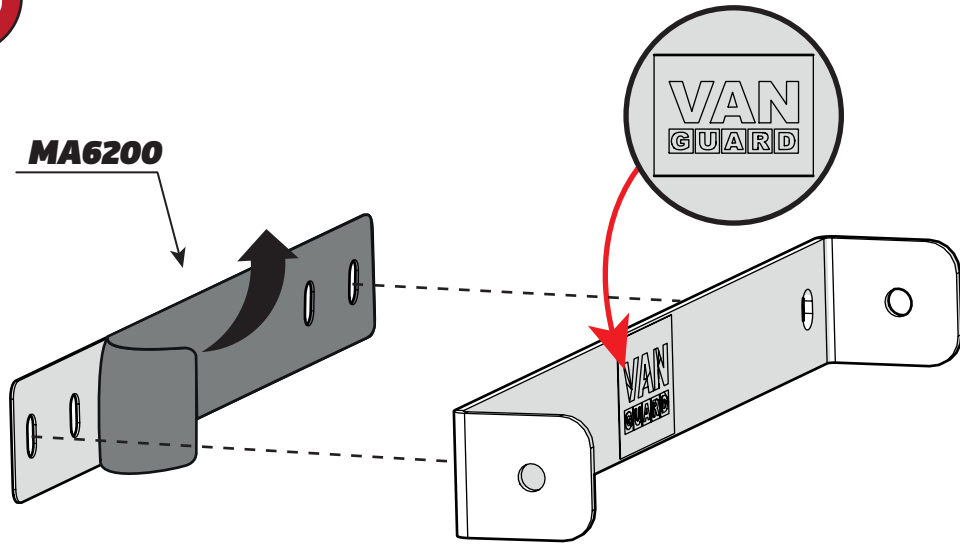


04



05

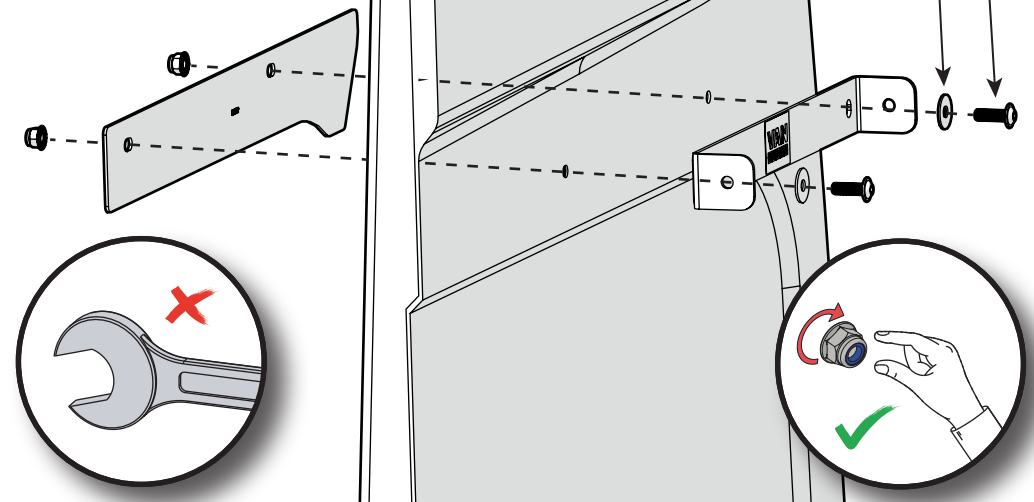
MA6200



06

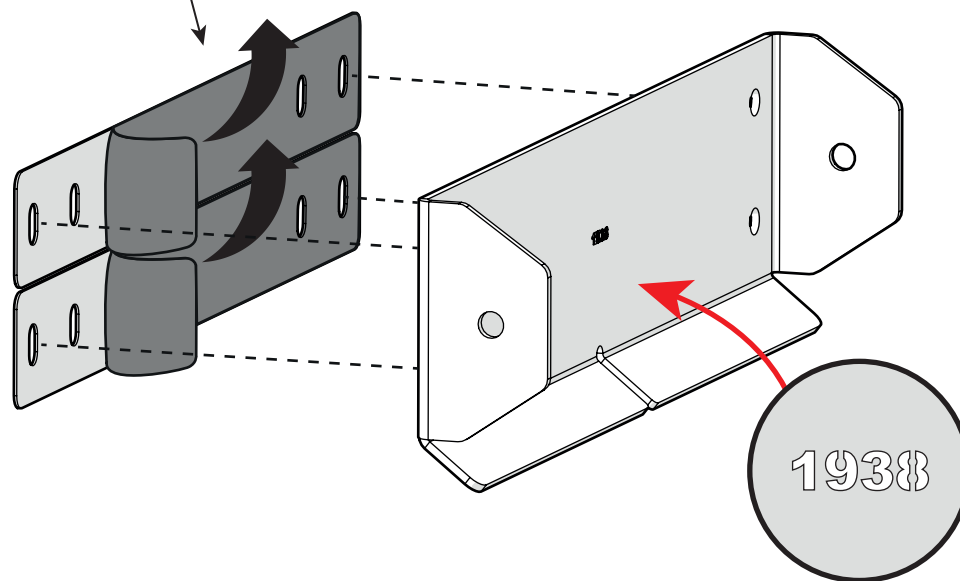
FX4250

FX4252



07

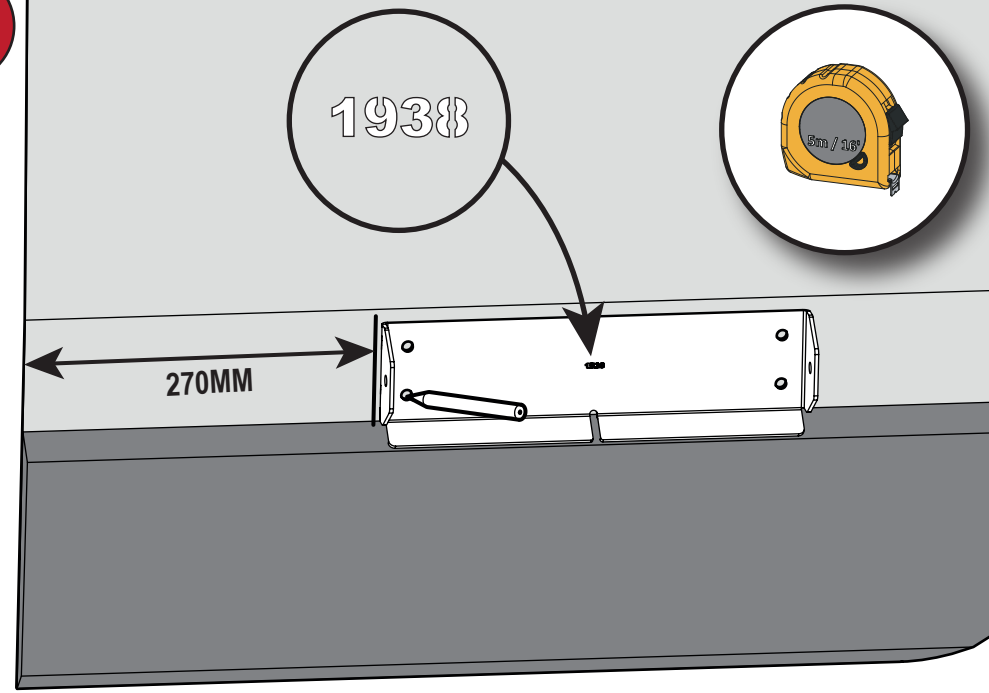
MA6200



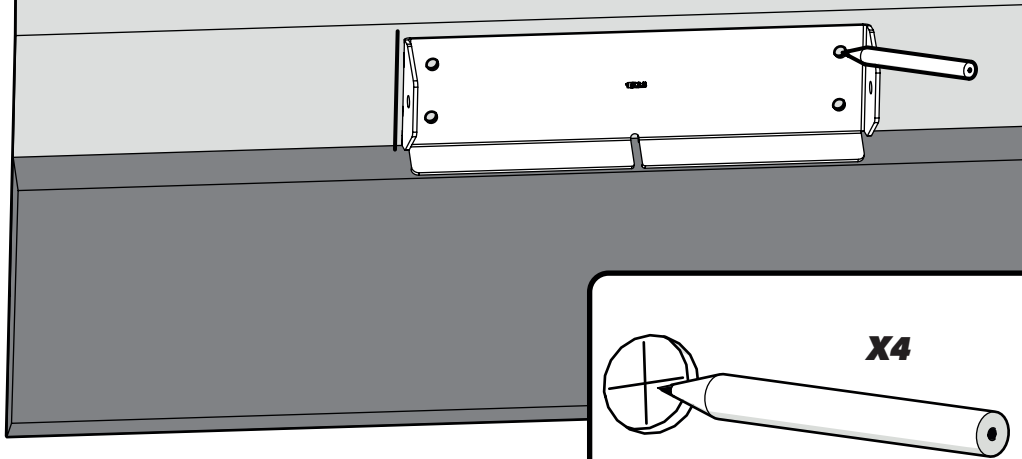
08

1938

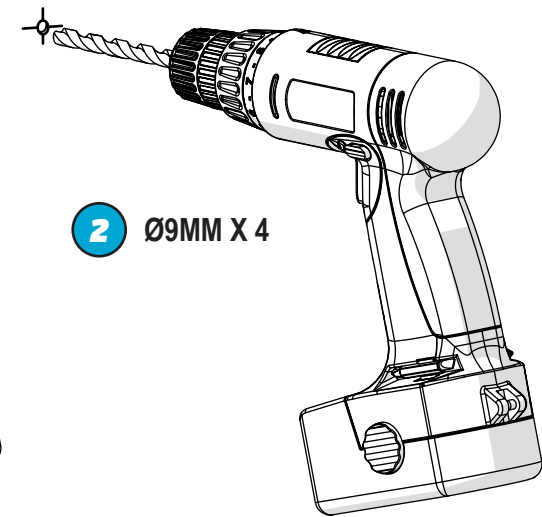
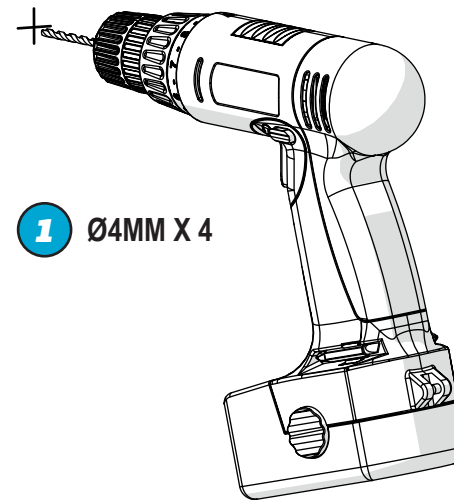
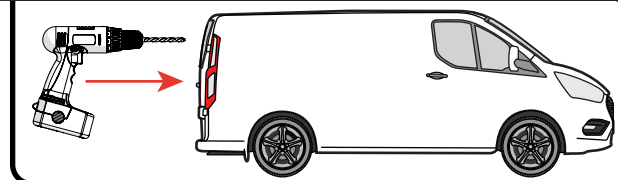
270MM



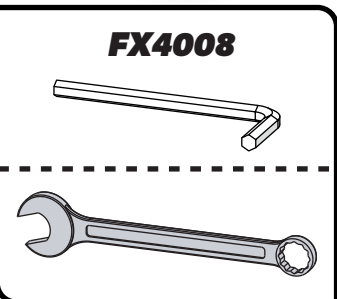
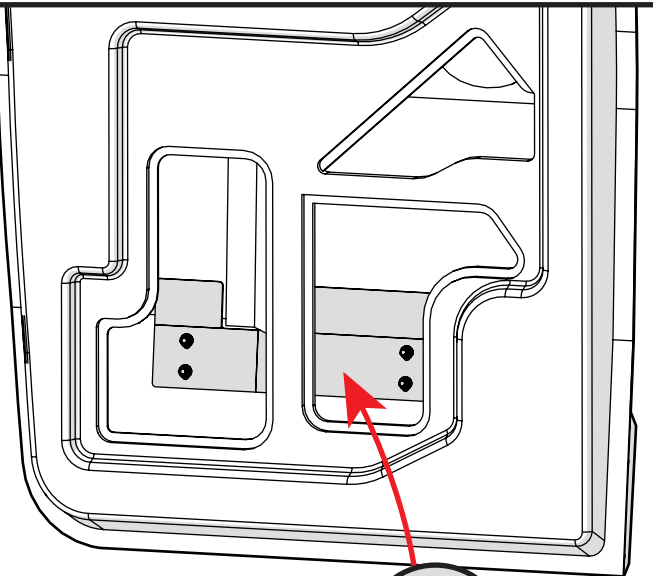
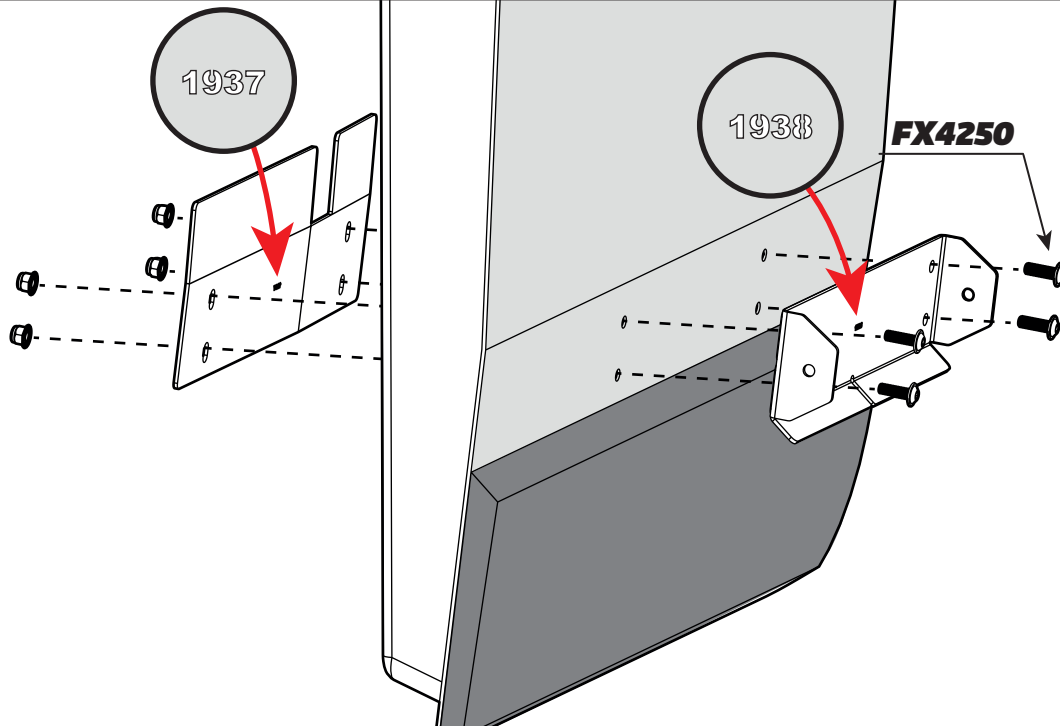
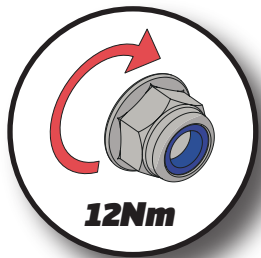
09



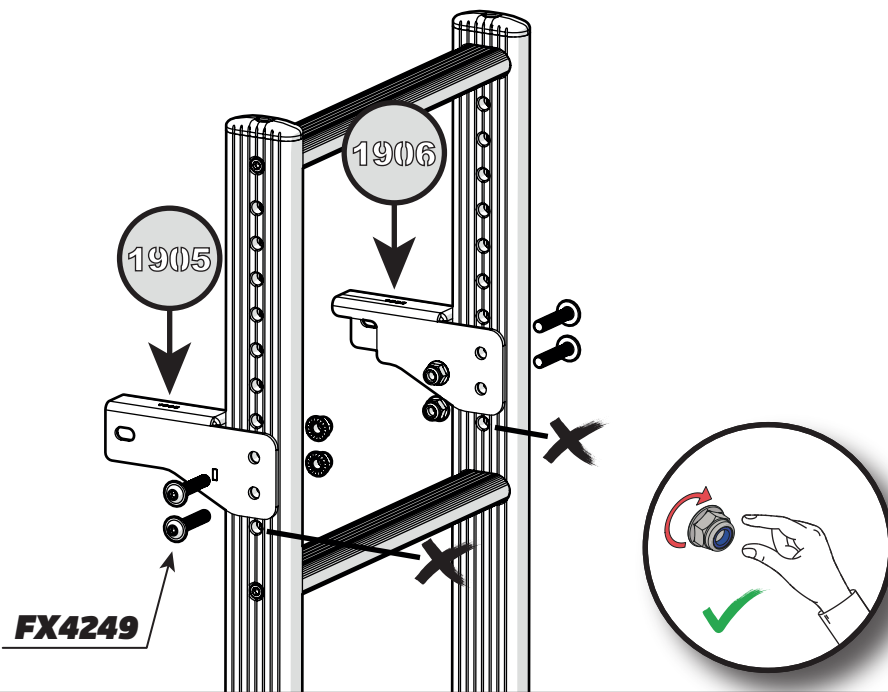
10



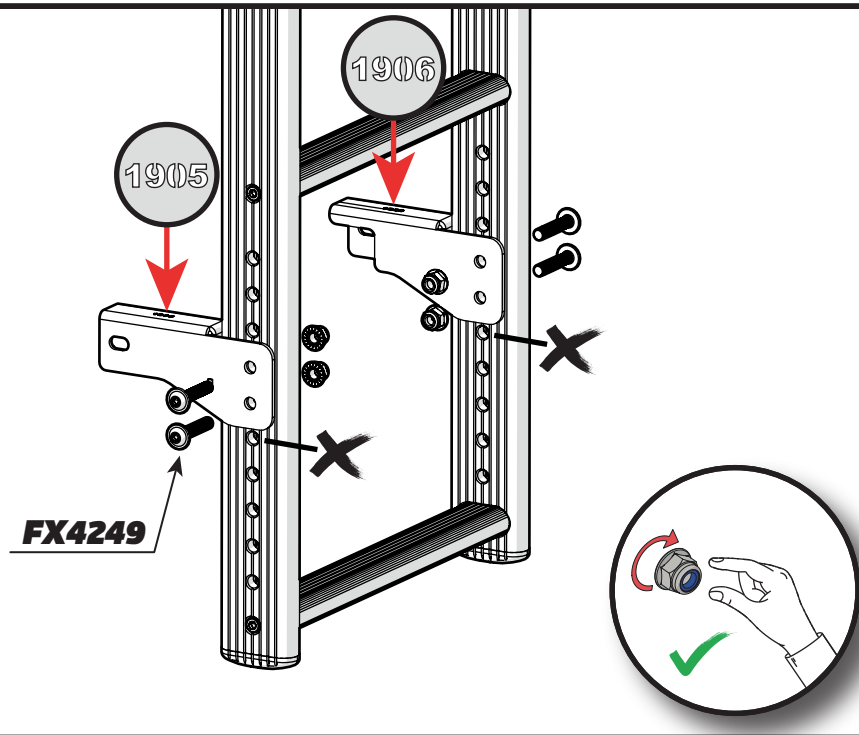
11



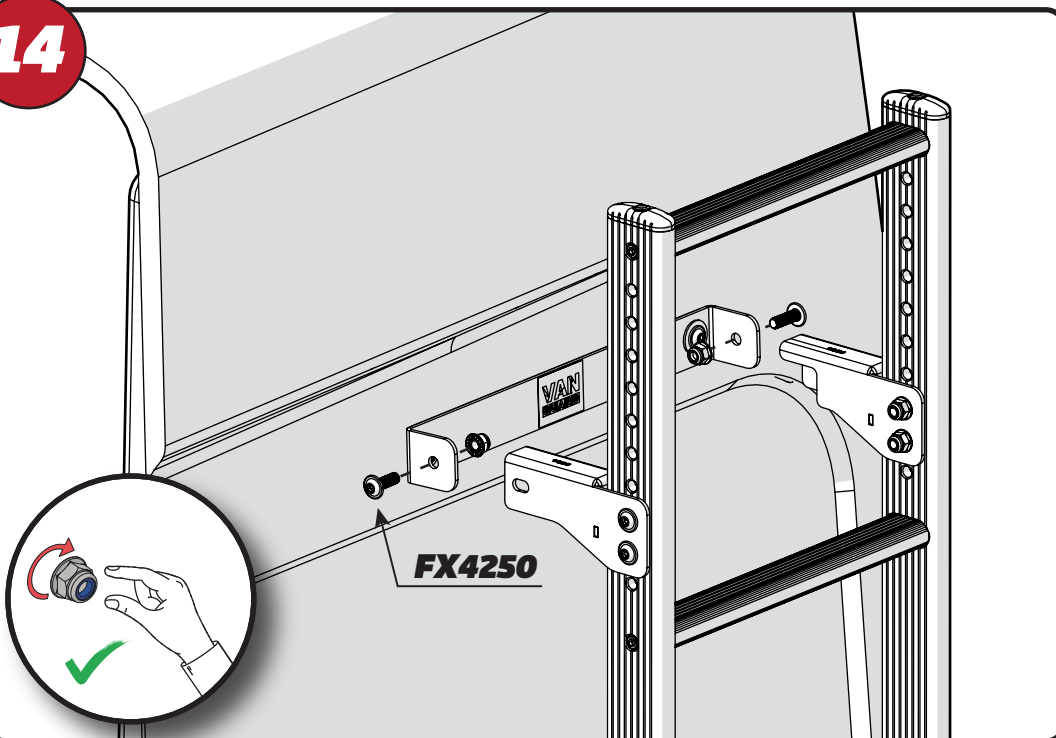
12



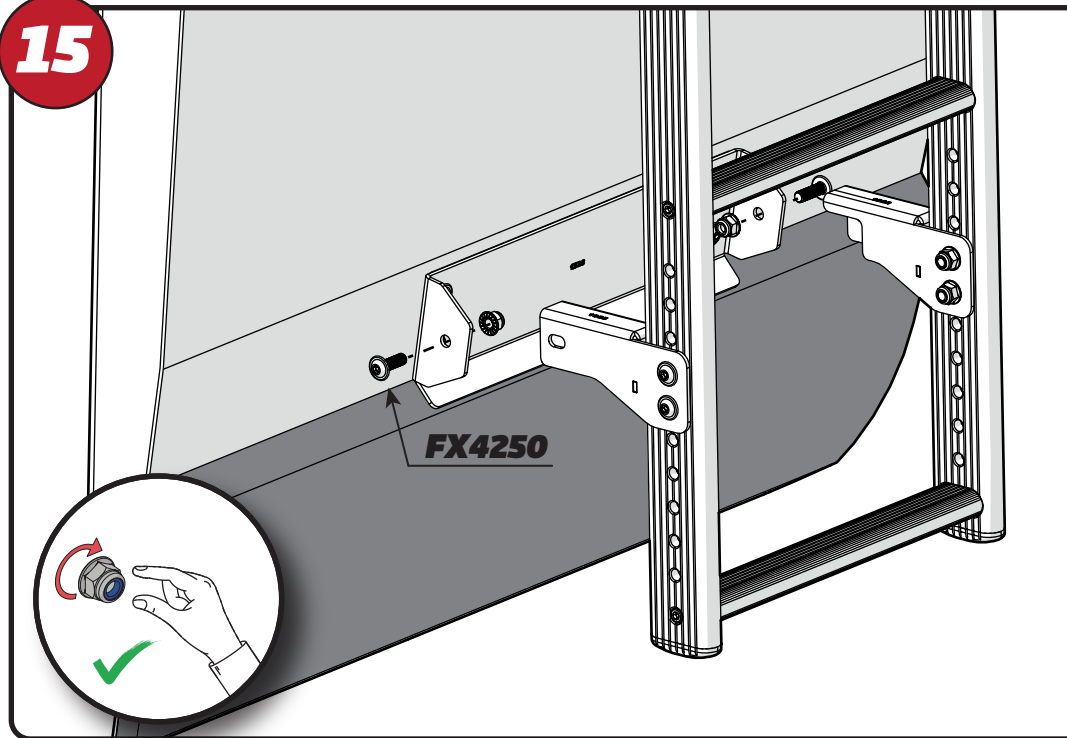
13



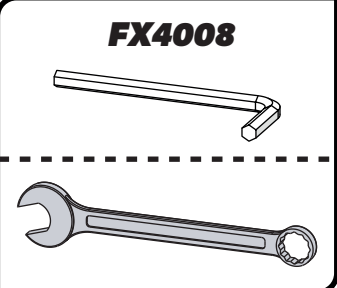
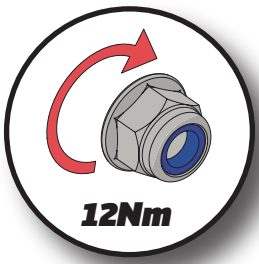
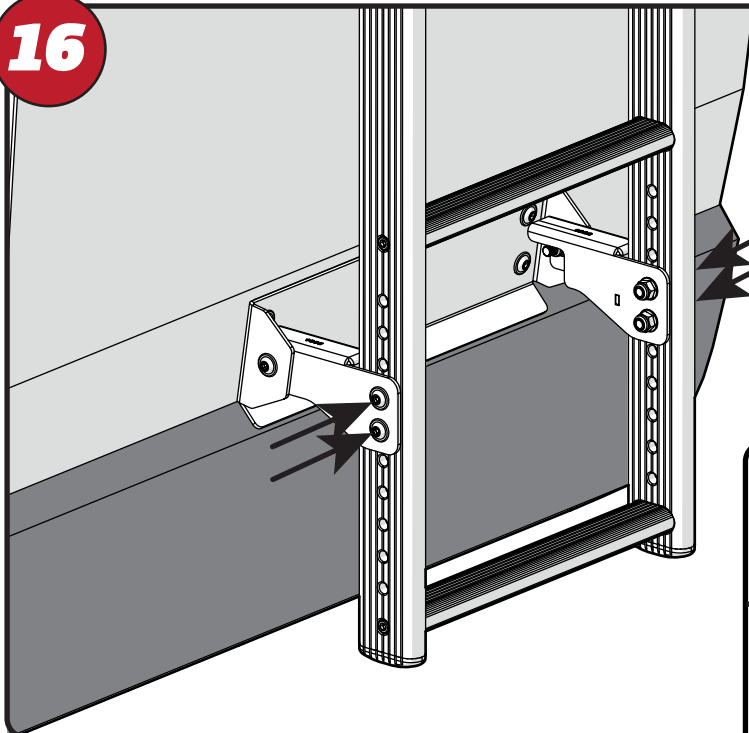
14



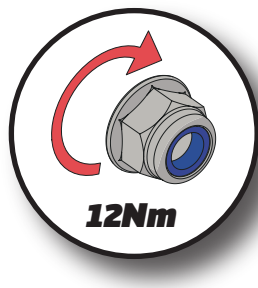
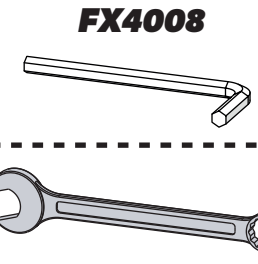
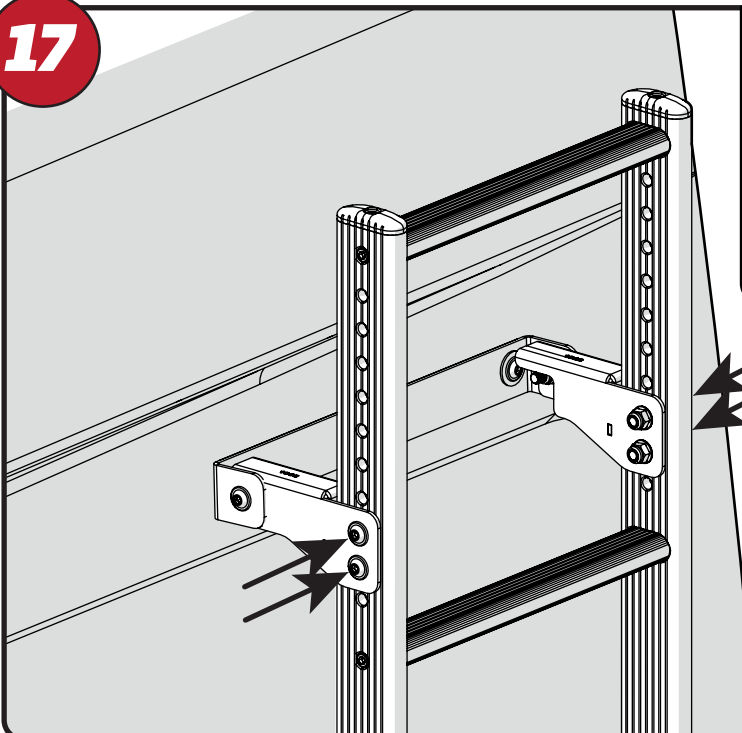
15



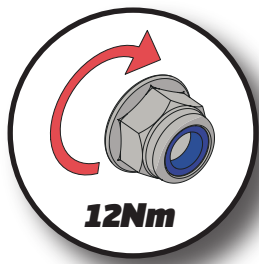
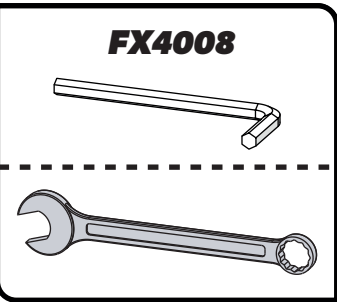
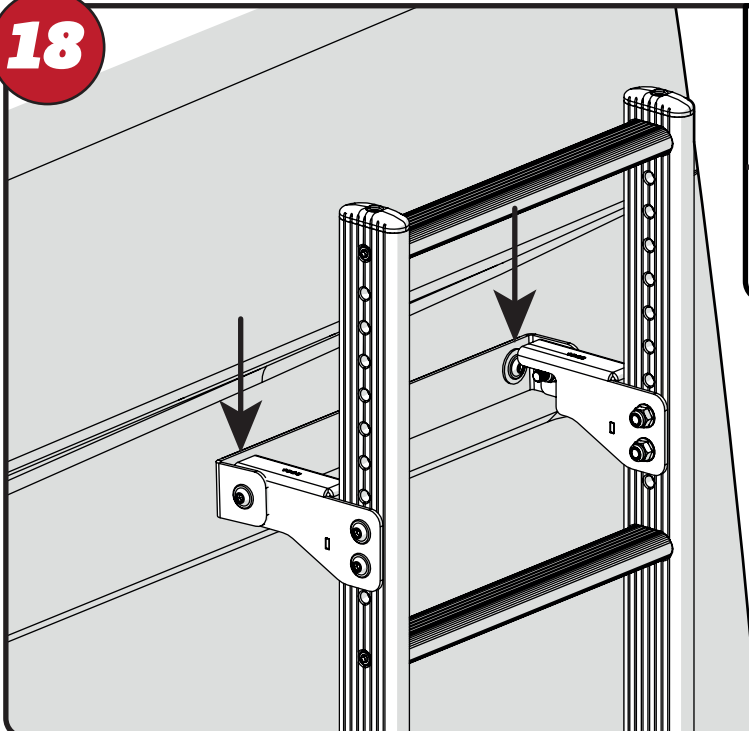
16



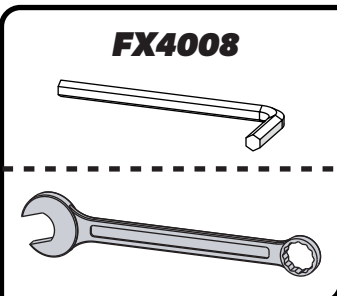
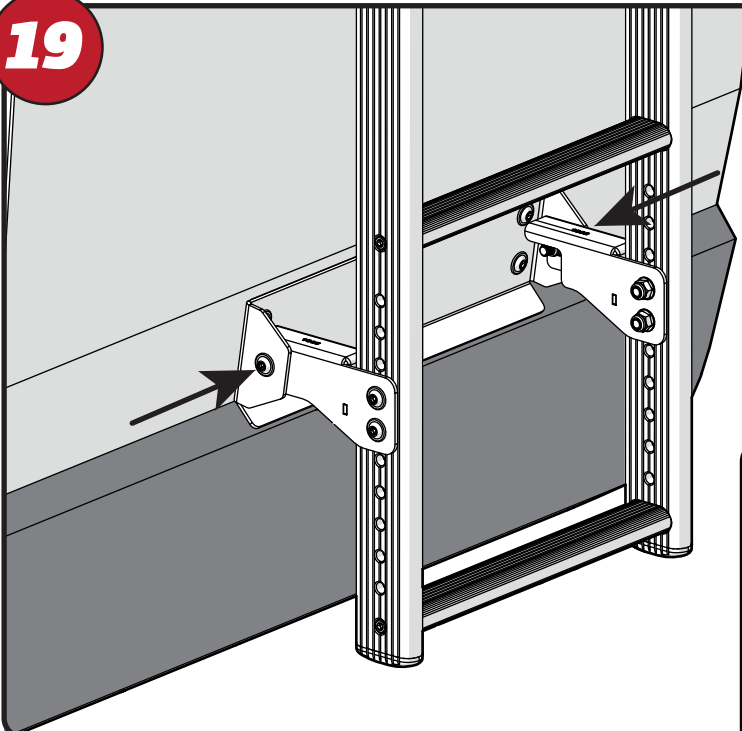
17



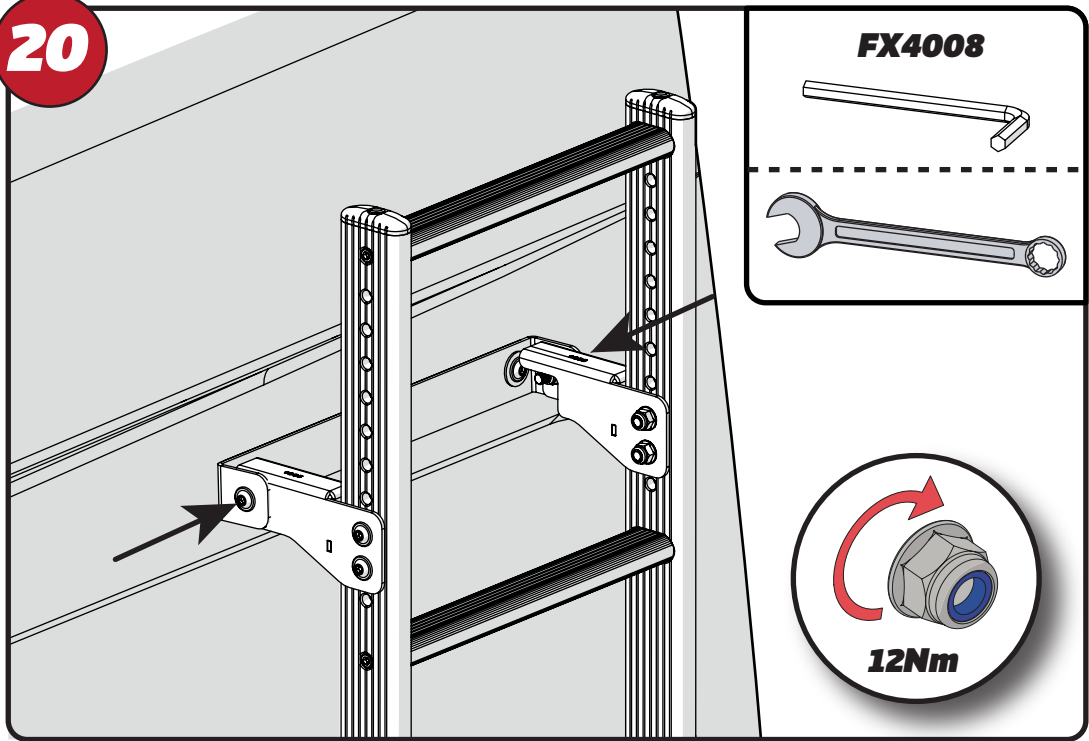
18



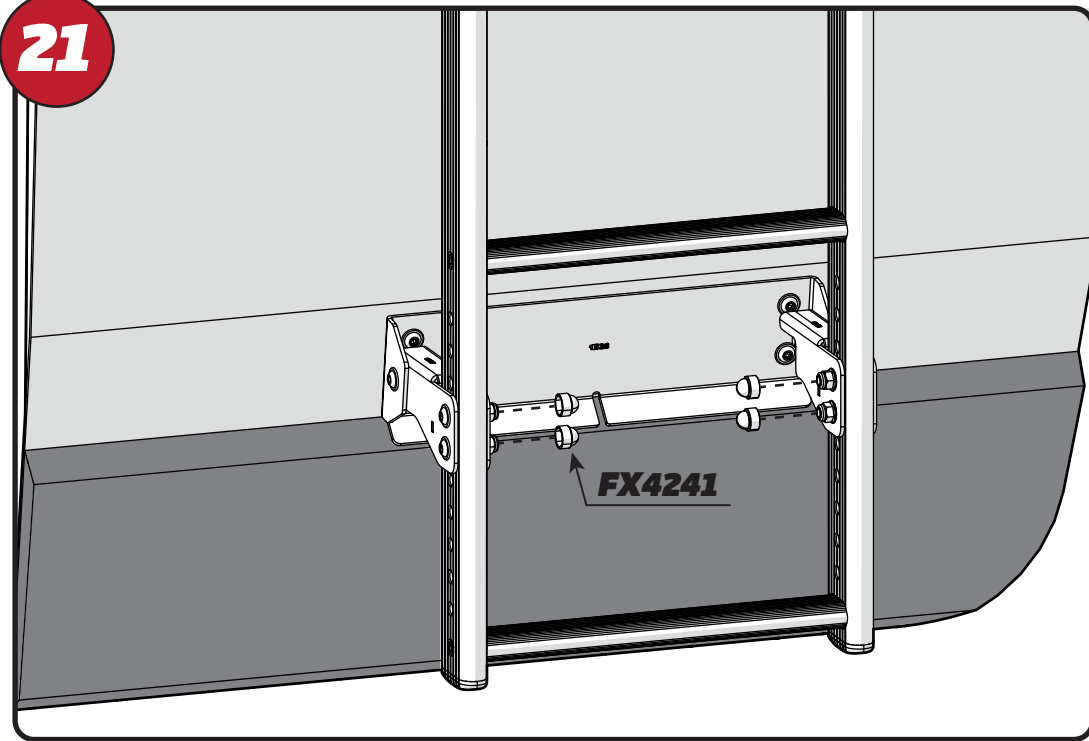
19



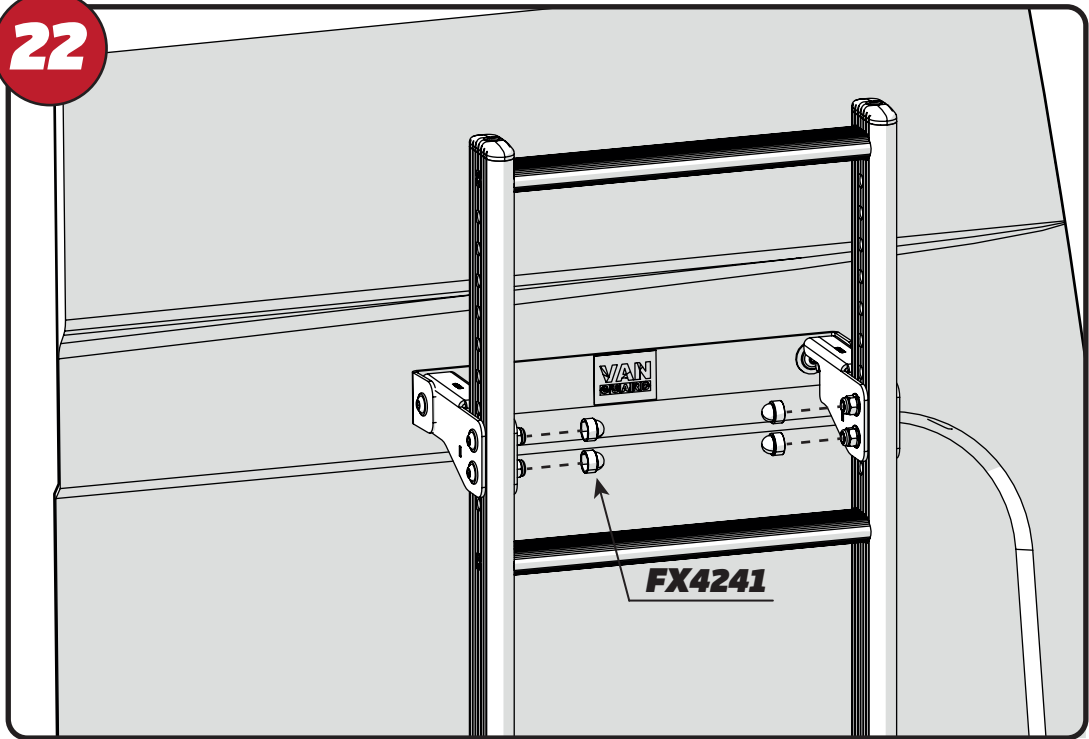
20



21



22



23

