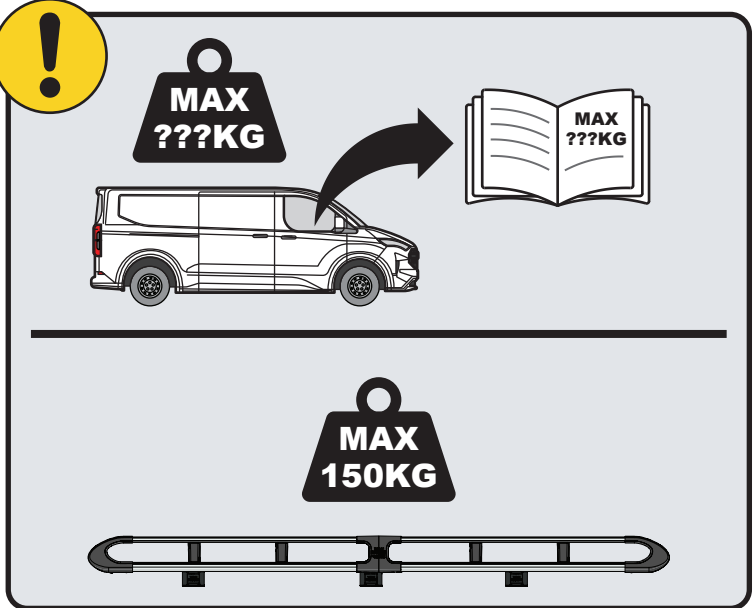
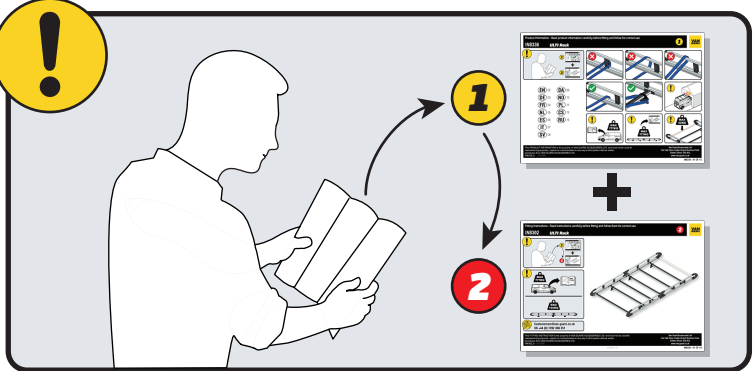


# IN8428

## ULTI Rack+



 [Customercare@van-guard.co.uk](mailto:Customercare@van-guard.co.uk)  
UK +44 (0) 1392 368 351



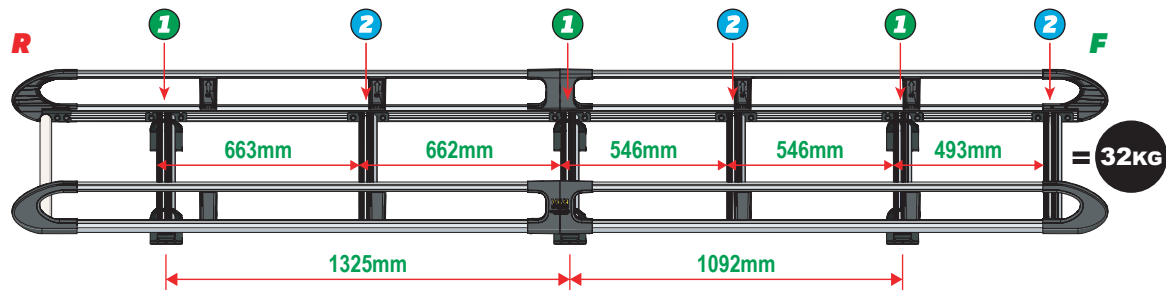
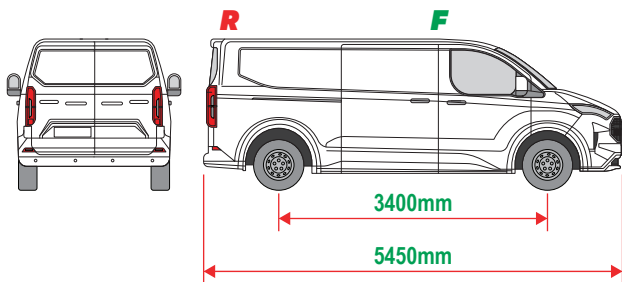
This FITTING INSTRUCTION is the property of VAN GUARD ACCESSORIES LTD. and must not be used for manufacturing purposes, copied nor communicated in any way to third parties without written permission from VAN GUARD ACCESSORIES LTD.  
IN8428\_A (CN:NR)

Van Guard Accessories Ltd  
Fair Oak Close, Exeter Airport Business Park,  
Exeter, Devon, EX5 2UL  
[www.van-guard.co.uk](http://www.van-guard.co.uk)

**THIS INSTRUCTION COVERS THE FOLLOWING MODELS - CHECK YOU ARE FITTING THE CORRECT MODEL BEFORE PROCEEDING**

**VGUR-293**

Ford Transit Custom: 2023-  
Volkswagen Transporter T7 2025-  
L2H1 (LWB)  
Twin Rear Doors



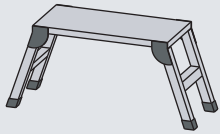
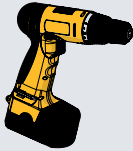
**SUPPLIED COMPONENTS - CHECK ALL PARTS ARE PRESENT AND CORRECT BEFORE PROCEEDING (1 OF 2)**

**TOOLS REQUIRED**

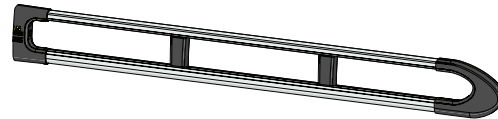
**10MM X1**



**13MM X1**



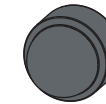
**AS3545 X2**  
(3400 / A)



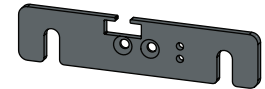
**MA6118 X12**



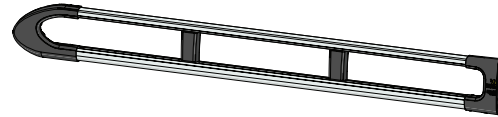
**FX4241 X28**



**ME1622 X3**



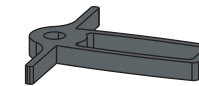
**AS3544 X2**  
(3400 / B)



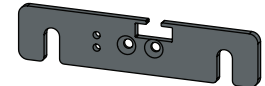
**FX4008 X1**



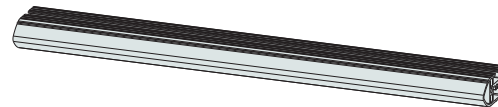
**MA6145 X1**



**ME1623 X3**



**ME1627 X6**  
(1354mm)



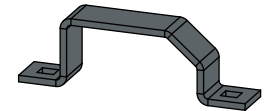
**FX4001 X2**  
(M8X40)



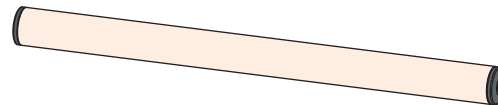
**FX4235 X24**  
(M5X25)



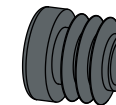
**ME0203 X6**



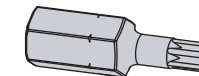
**AS3159 X1**  
(1340mm)



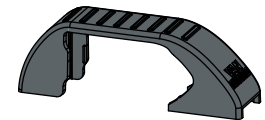
**MA6007 X4**



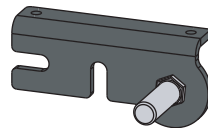
**FX4248 X1**  
(T25)



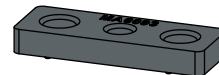
**MA6065 X6**



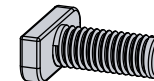
**AS3590 X1**



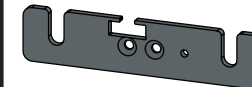
**MA6093 X12**



**FX4239 X28**  
(M8X20)



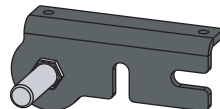
**ME1620 X3**



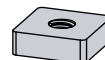
**FX4016 X12**  
(M6)



**AS3591 X1**



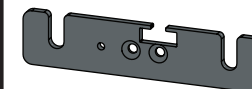
**ME0316 X12**



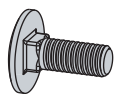
**FX4240 X28**  
(M8)



**ME1621 X3**

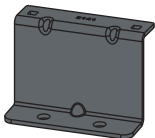


**FX4042 X12**  
(M6X16)



SUPPLIED COMPONENTS - CHECK ALL PARTS ARE PRESENT AND CORRECT BEFORE PROCEEDING (2 OF 2)

**ME2141 X2**

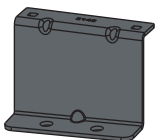


**FX4019 X12**

(M8)

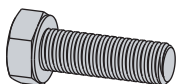


**ME2142 X1**

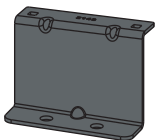


**FX4028 X12**

(M8X25)

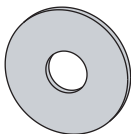


**ME2143 X1**

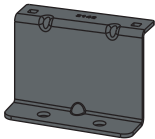


**FX4040 X12**

(M8)



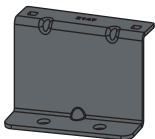
**ME2146 X1**



**MA6181 X6**



**ME2147 X1**



**FX4014 X12**

(RUBBER)



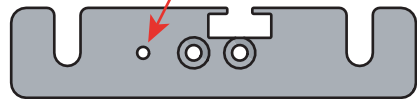
01

1L



X3

1R



X3



2L



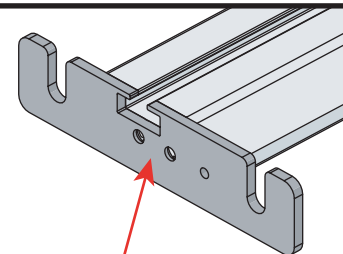
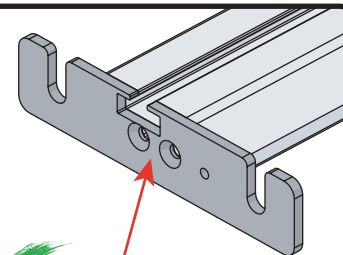
X3

2R



X3

02



1R



X3

1L

1R



1L

2R



X3

2L

2R



2L

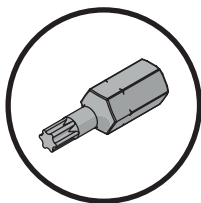
03

01

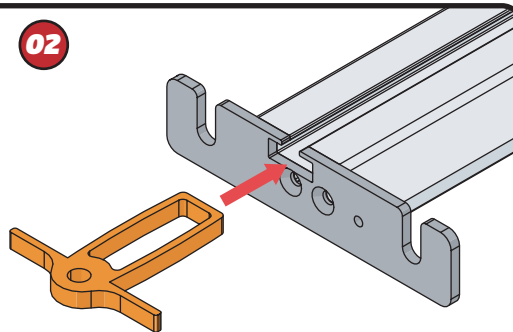
FX4248



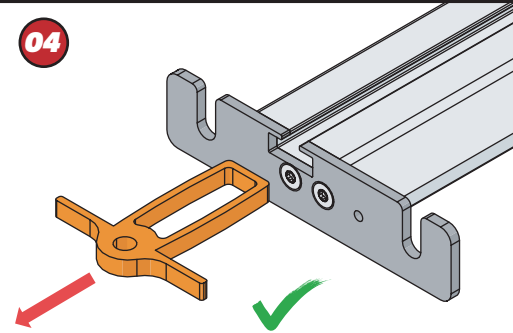
+



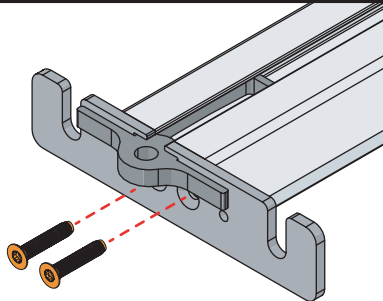
02



04



03

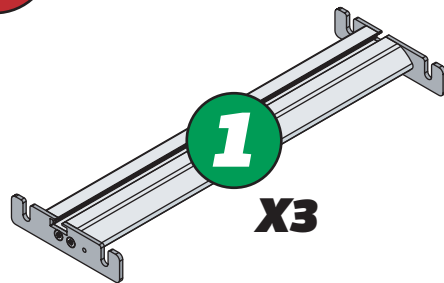


11Nm

04

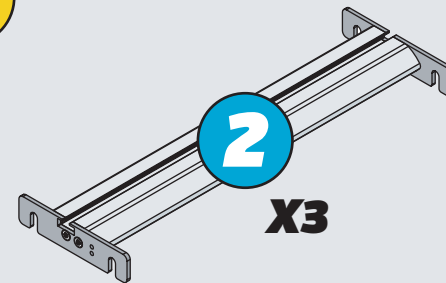


1

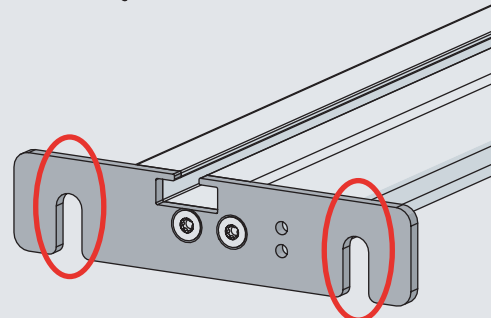
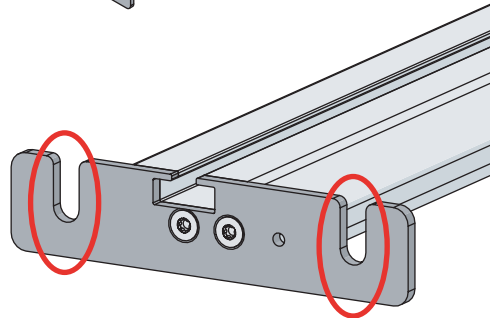


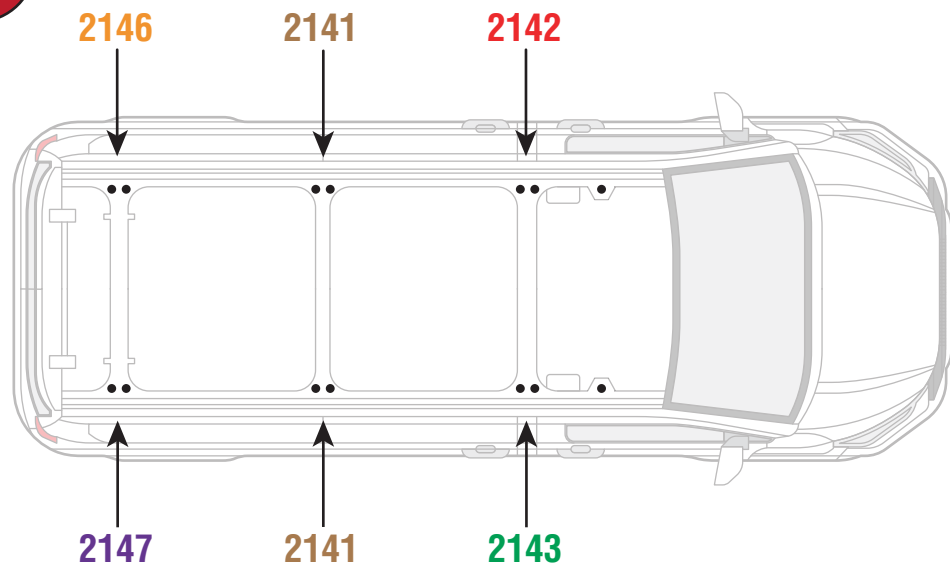
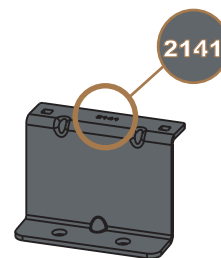
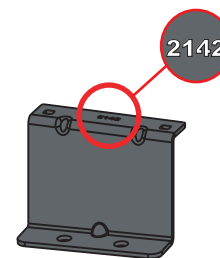
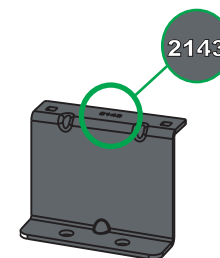
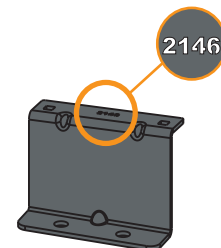
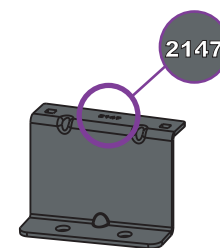
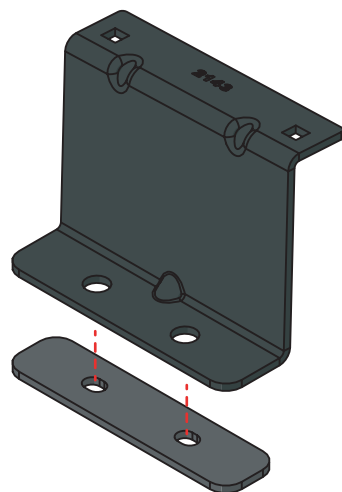
X3

2



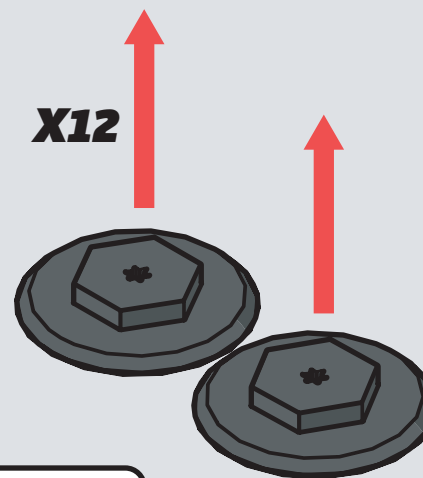
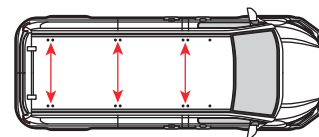
X3

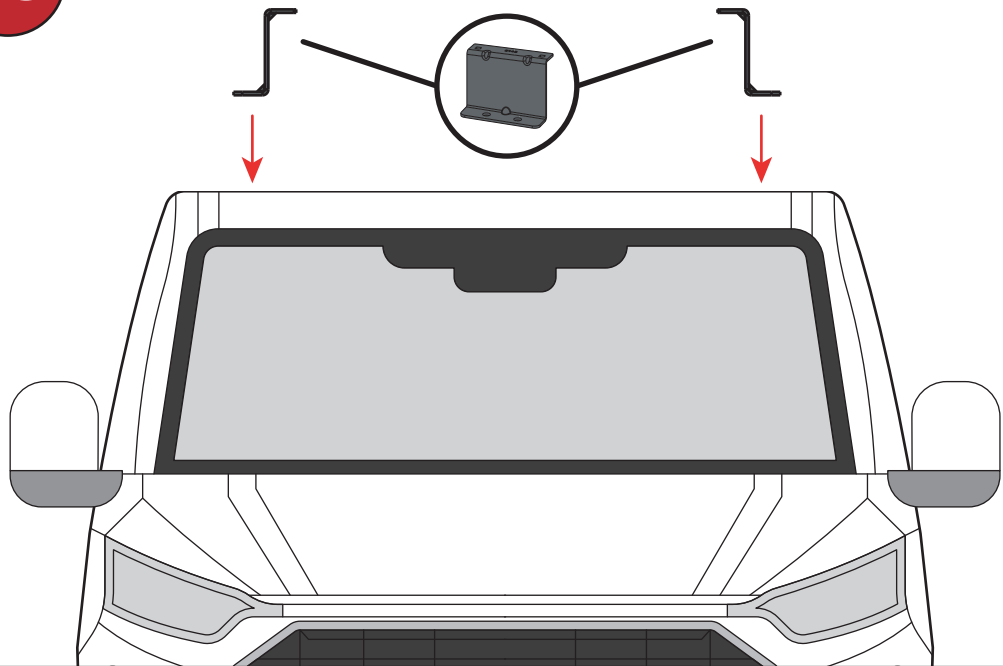
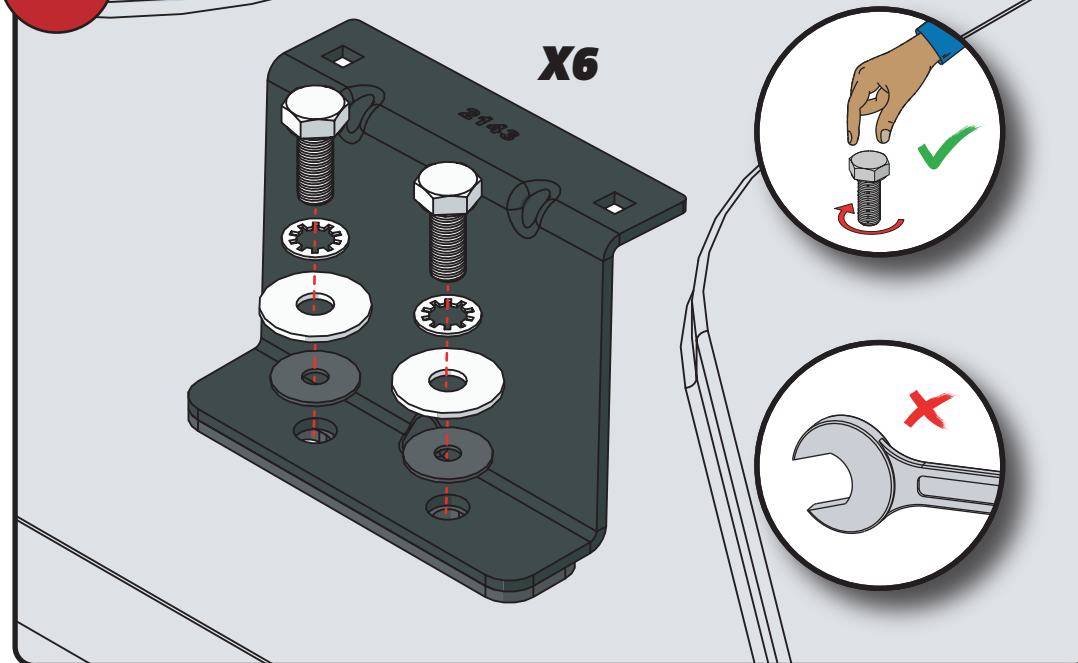
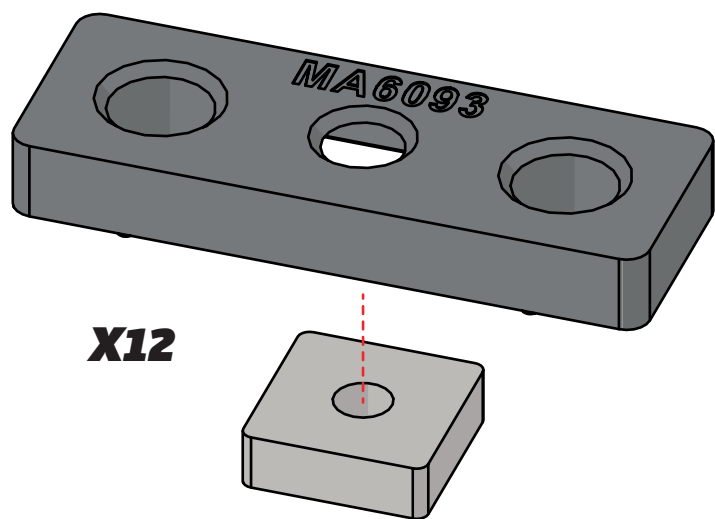
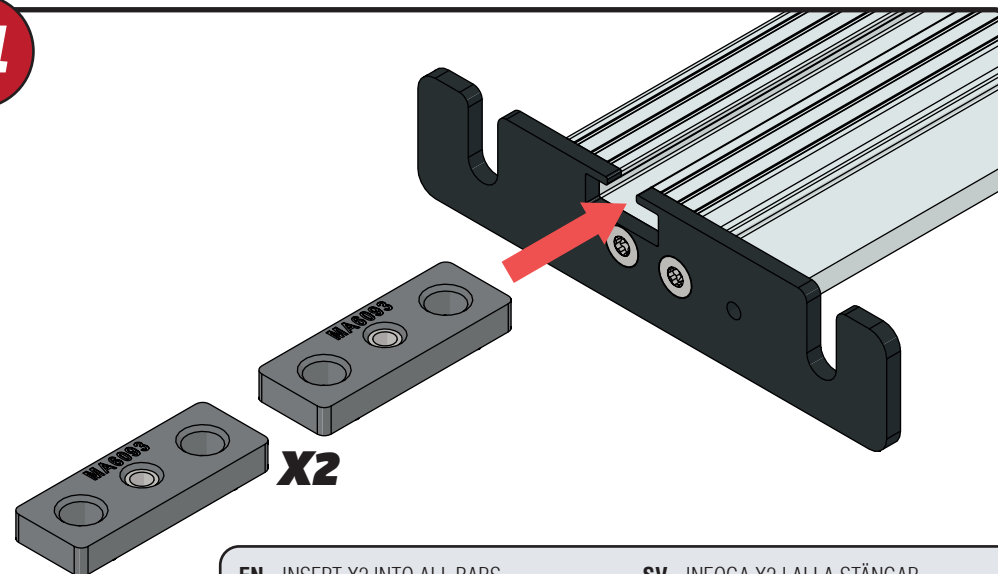


**05****2141****2142****2143****2146****2147****06**

EN - STICK GASKETS TO ALL BRACKETS  
 DE - KLEBEN SIE DIE DICHTUNG AN ALLEN HALTERUNGEN  
 FR - COUSSINETS ADHÉSIFS À TOUS LES SUPPORTS  
 NL - PLAK PAKKING OP ALLE BEUGELS  
 ES - PEGA LAS ALMOHADILLAS A TODOS LOS SOPORTES  
 IT - ADESIVI GUARNIZIONI A TUTTE LE STAFFE

SV - FÄST GUMMI PÅ ALLA FÄSTEN  
 DA - KLÆB GUMMI PÅ ALLE BESLAG  
 NO - PLIST GUMMI PÅ ALLE BRACKETTER  
 PL - NAKLEJ USZCZELKI DO WSZYSTKICH WSPORNIKÓW  
 CS - PŘILEPTE TĚSNĚNÍ NA VŠECHNY DRŽÁKY

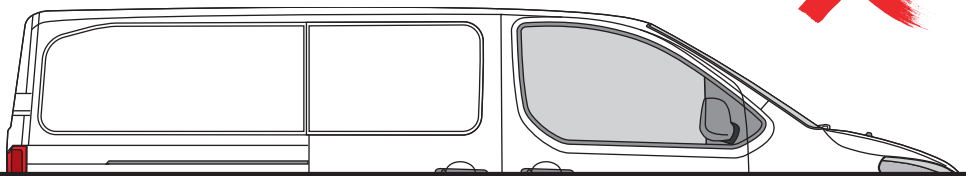
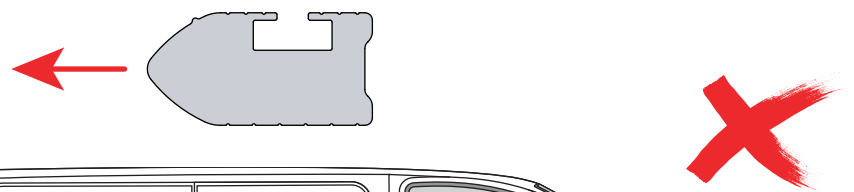
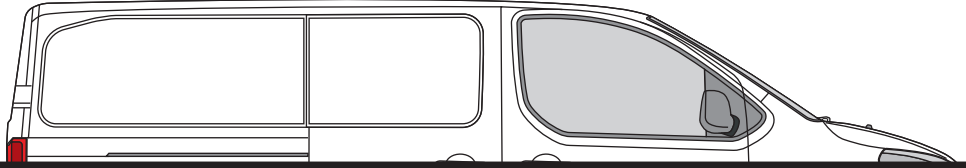
**07****X12****T27**

**08****09****10****11**

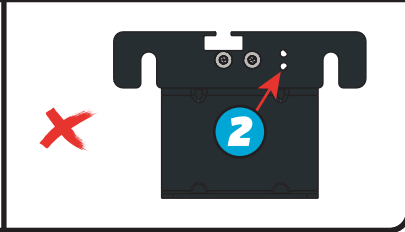
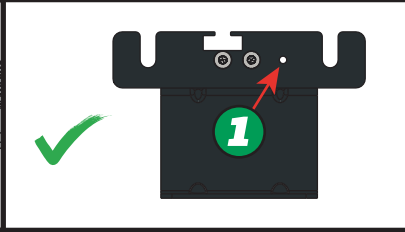
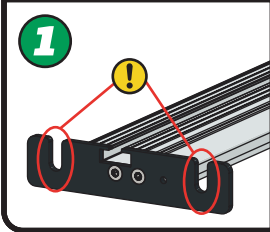
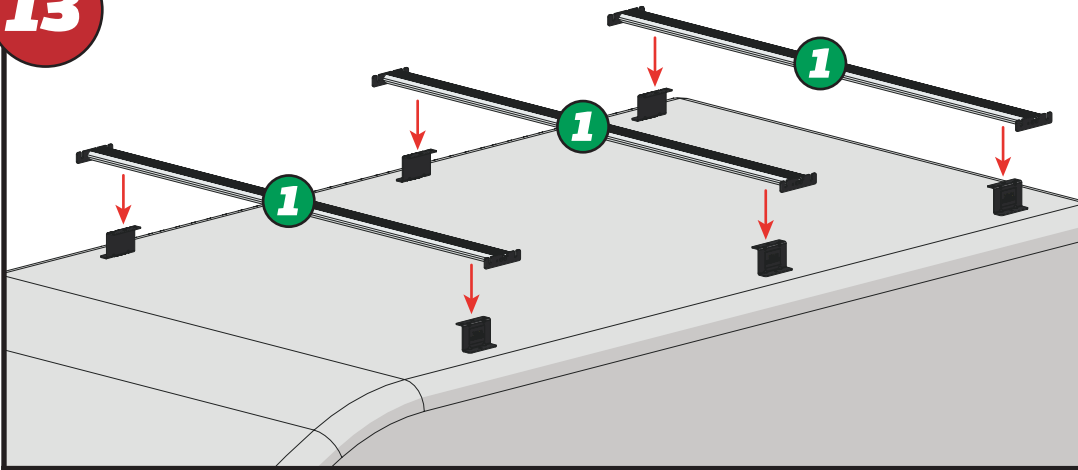
EN - INSERT X2 INTO ALL BARS  
 DE - X2 IN ALLE STANGEN EINFÜGEN  
 FR - INSÉRER X2 DANS TOUTES LES BARRES  
 NL - PLAATS X2 IN ALLE BARS  
 ES - INSERTAR X2 EN TODAS LAS BARRAS  
 IT - INSERIRE X2 IN TUTTE LE BARRE

SV - INFOGA X2 I ALLA STÄNGAR  
 DA - INDSÆT X2 I ALLE STÆNGER  
 NO - SETT X2 INN I ALLE TAKSTENGER  
 PL - WSTAW X2 DO WSZYSTKICH PRĘTÓW  
 CS - VLOŽTE X2 DO VŠECH TYČÍ

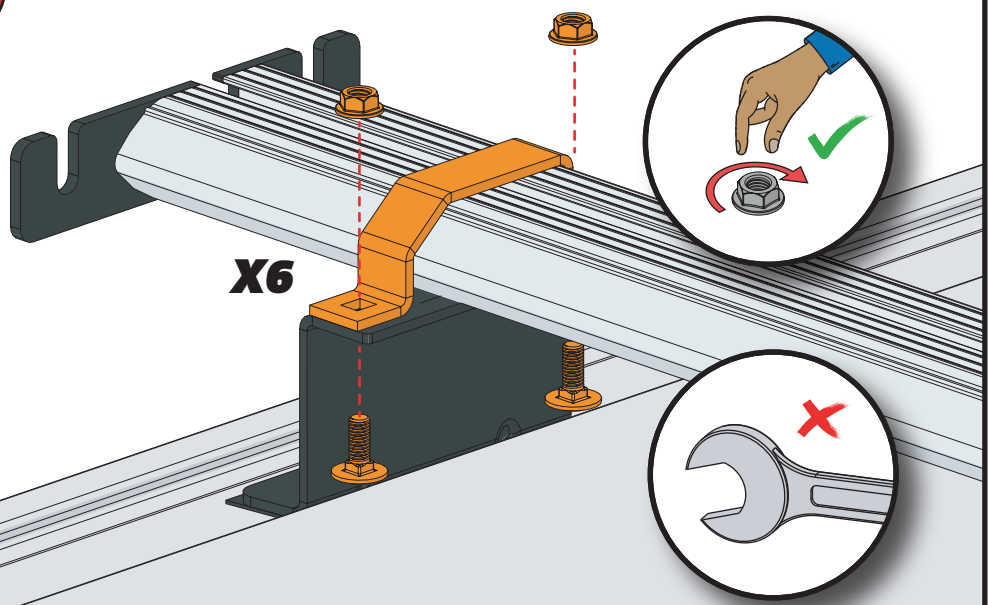
12



13

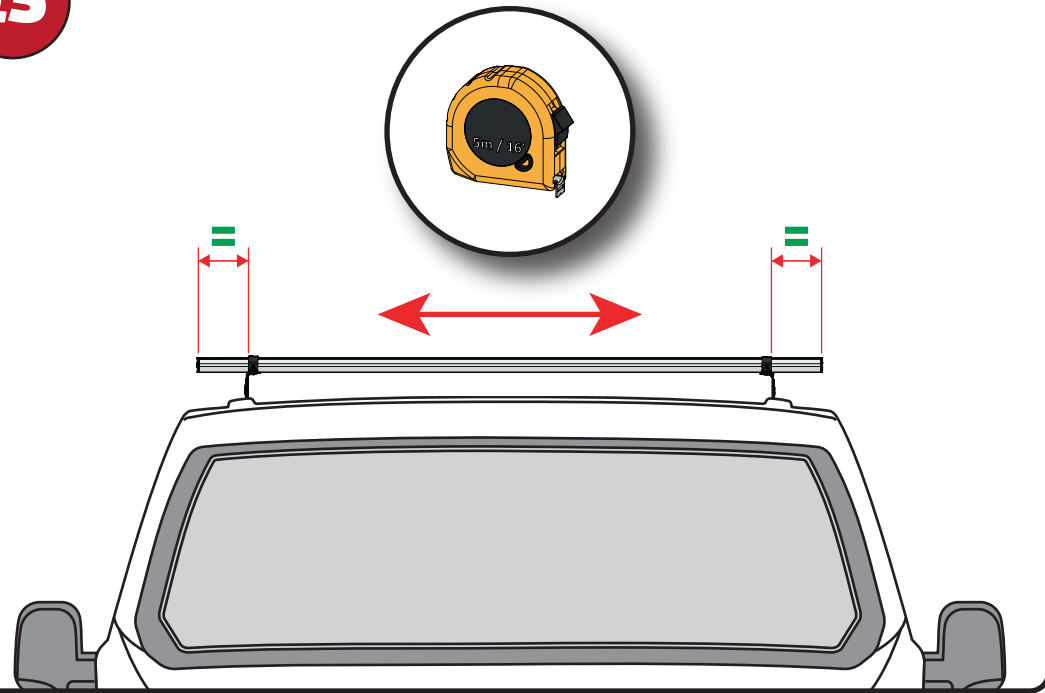


14



X6

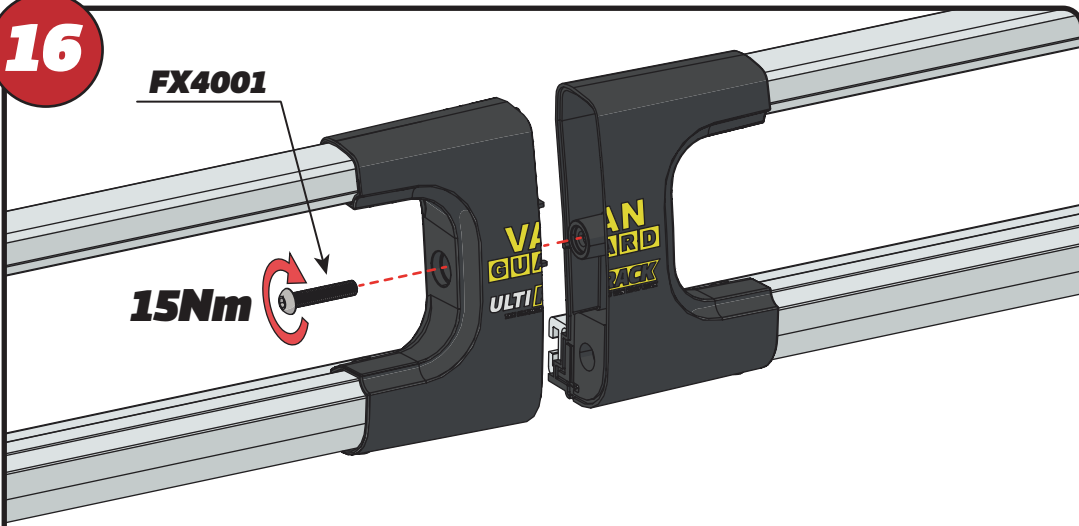
15



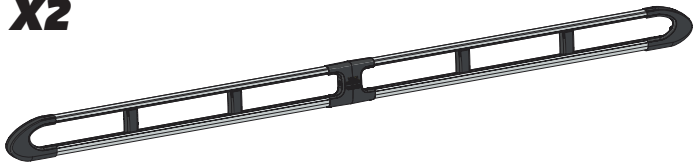
16

FX4001

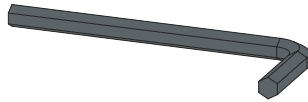
15Nm



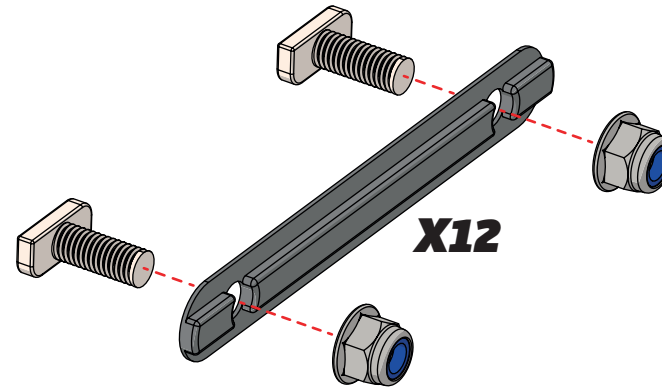
X2



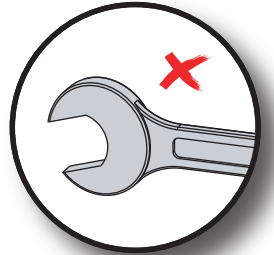
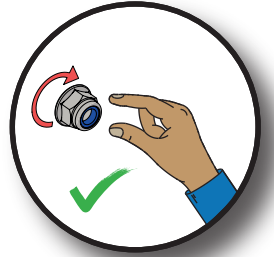
FX4008



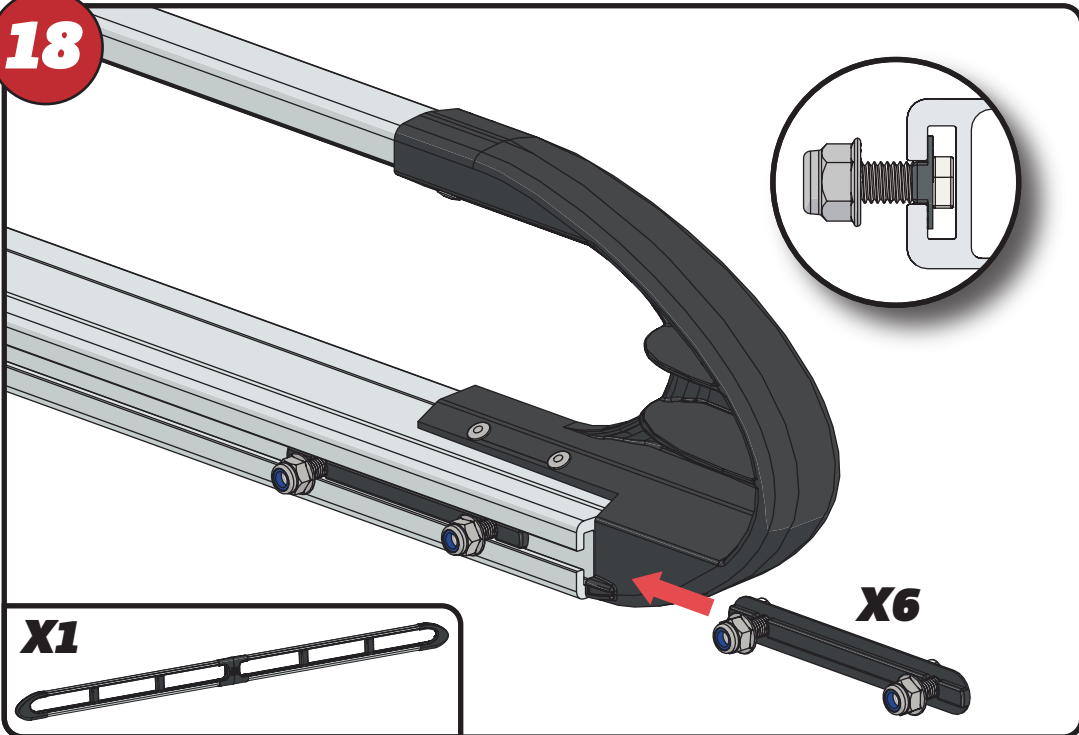
17



X12



18



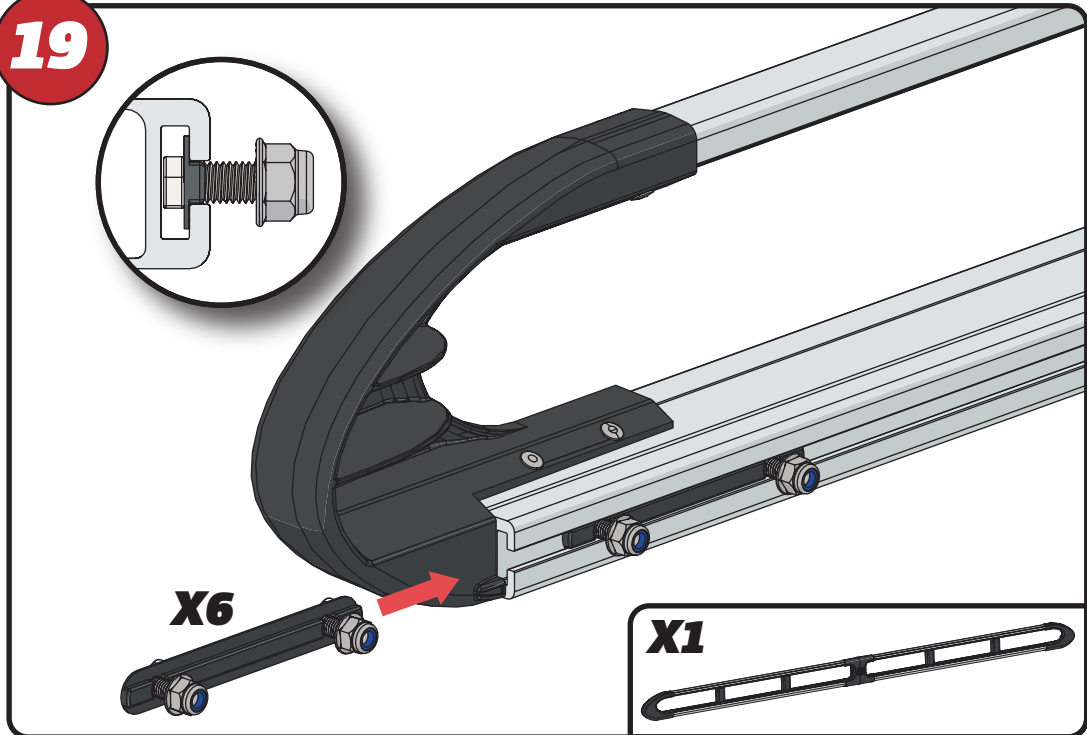
X1



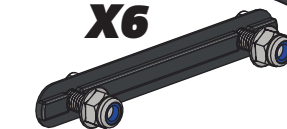
X6



19



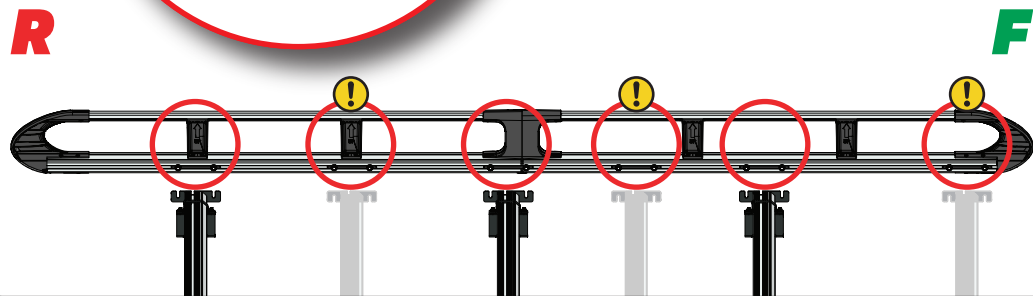
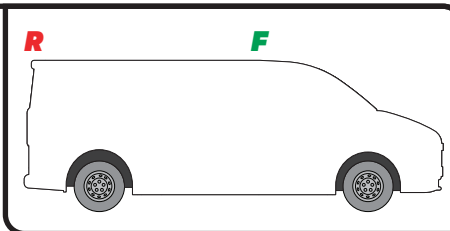
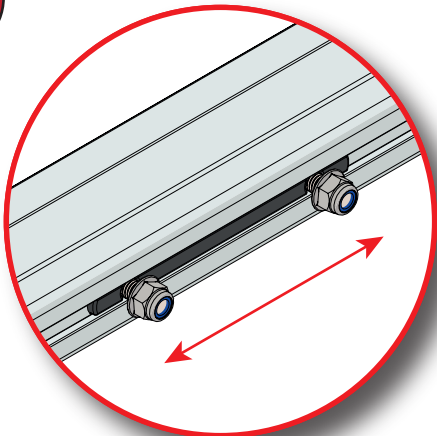
X6



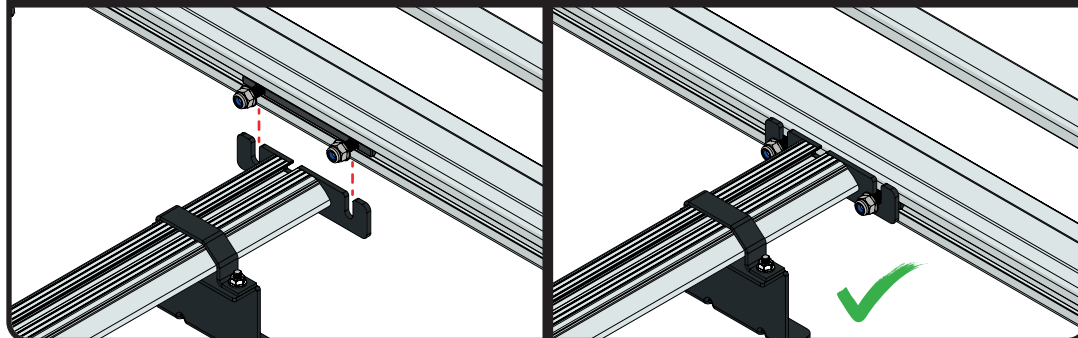
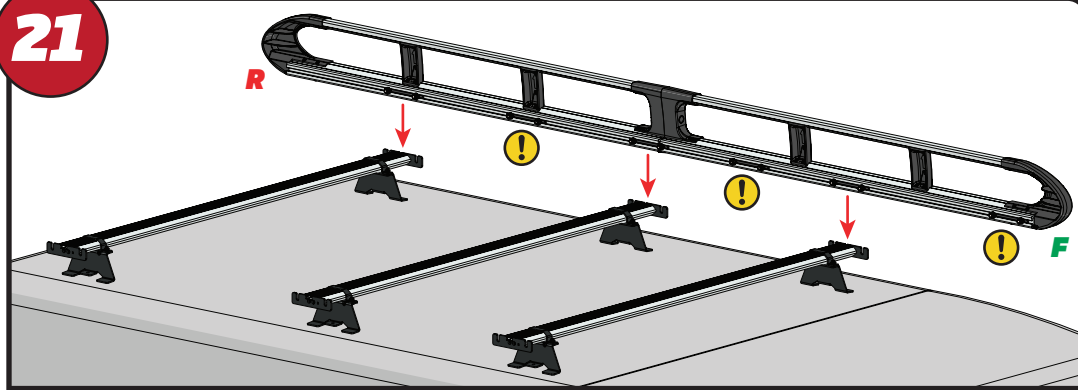
X1



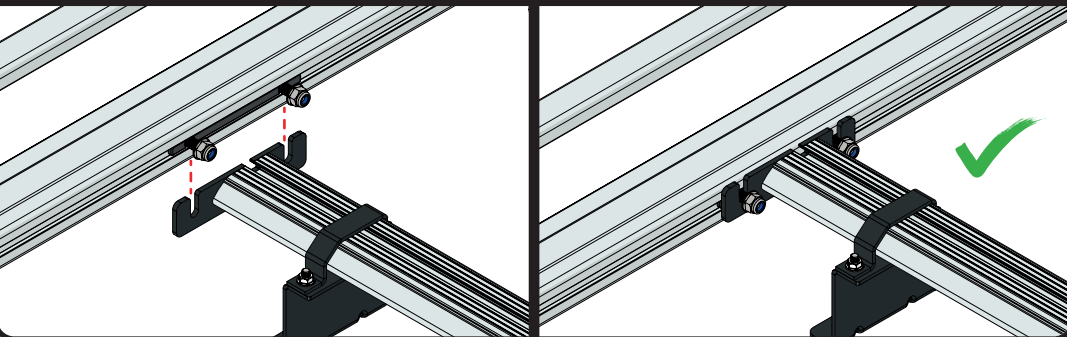
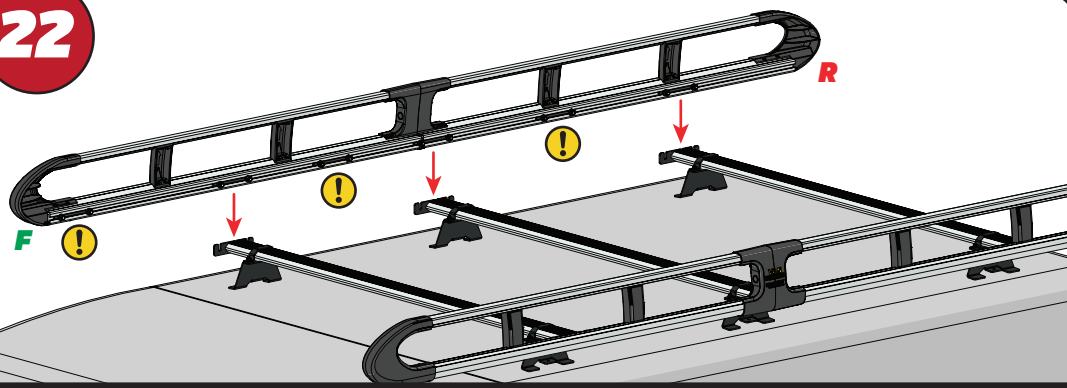
20



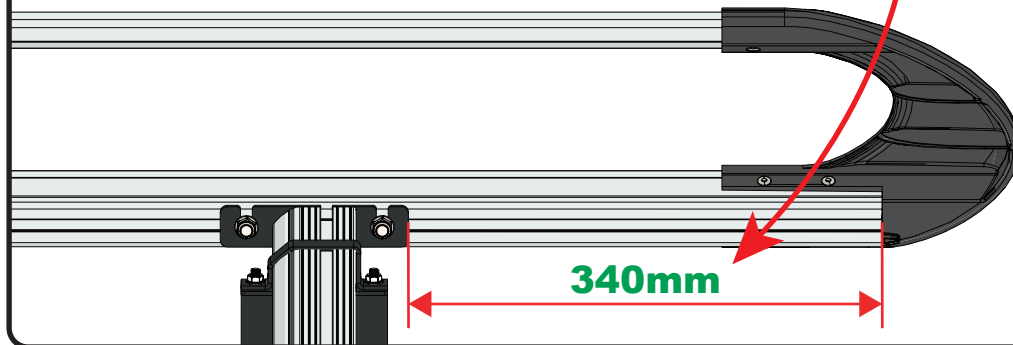
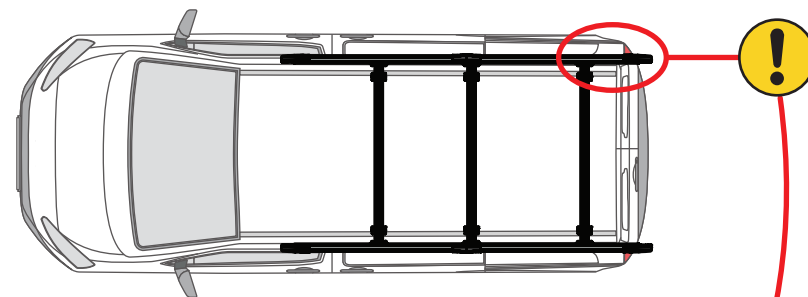
21

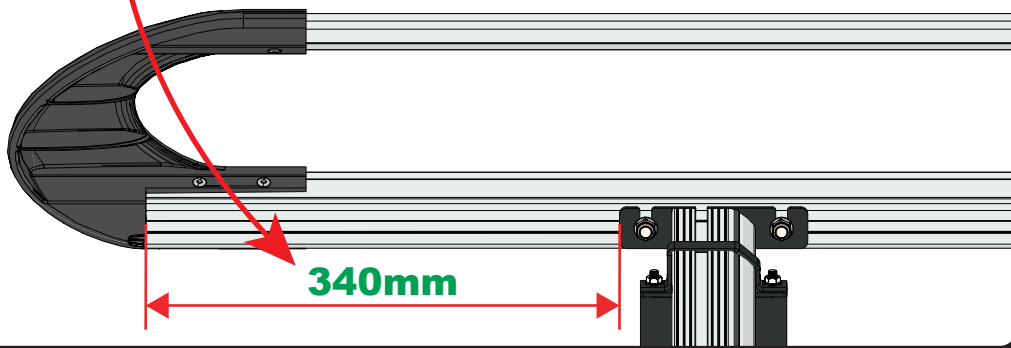
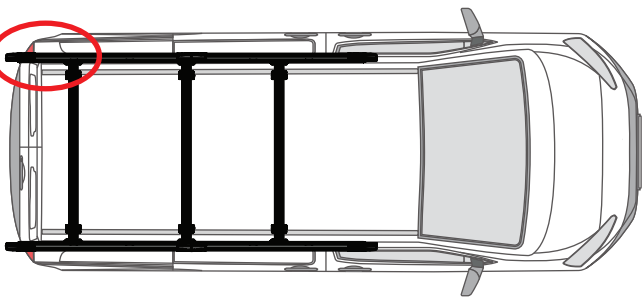
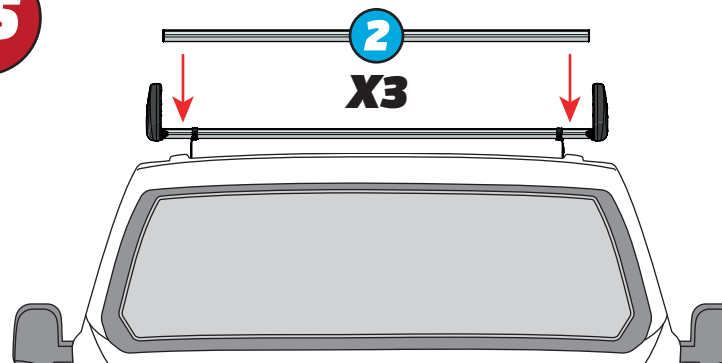
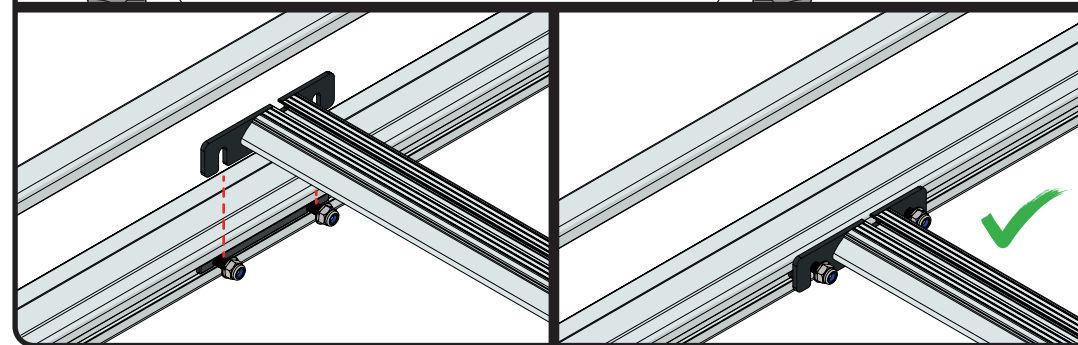
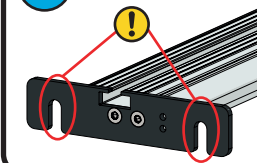
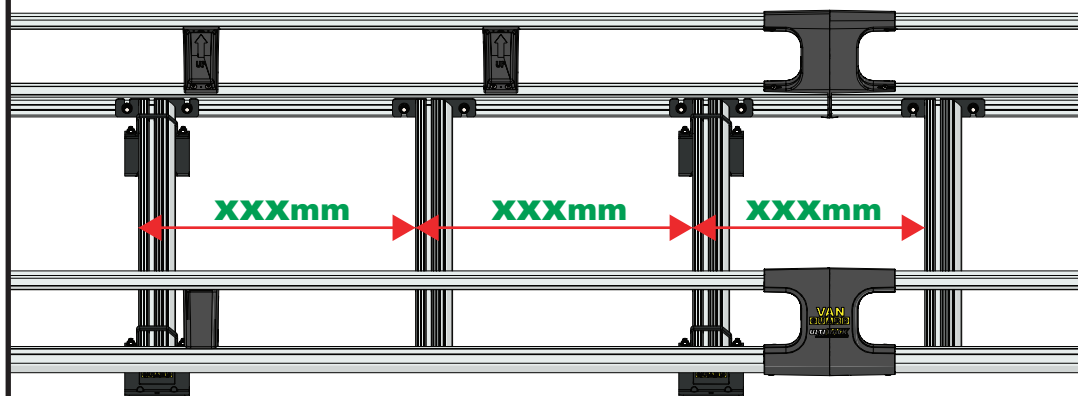
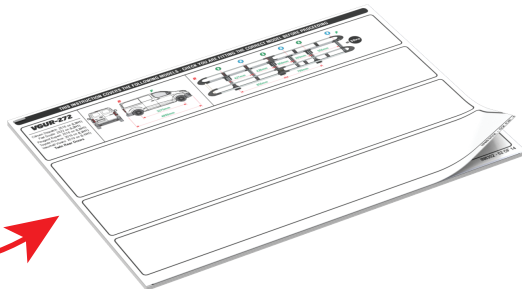
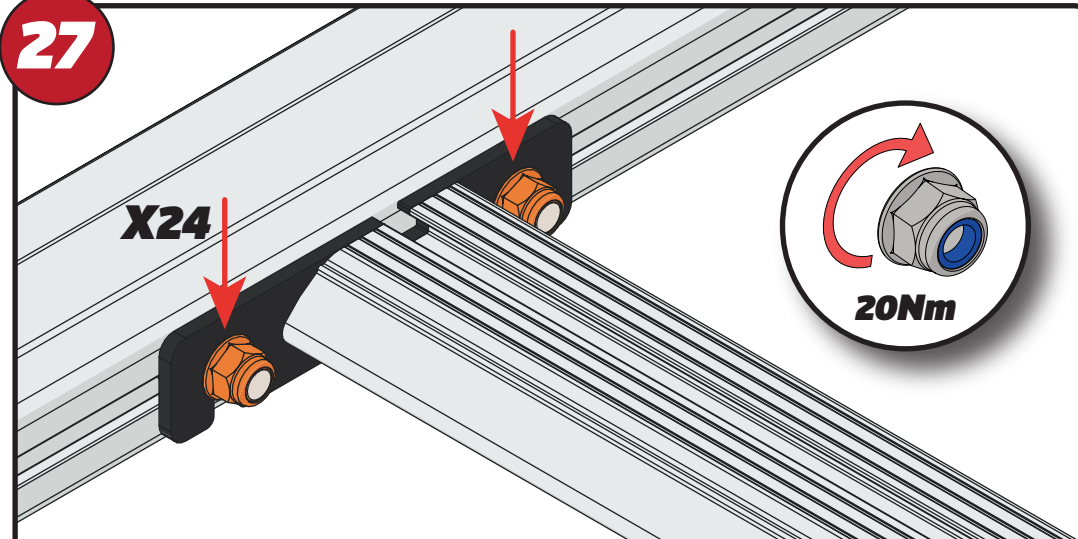


22



23

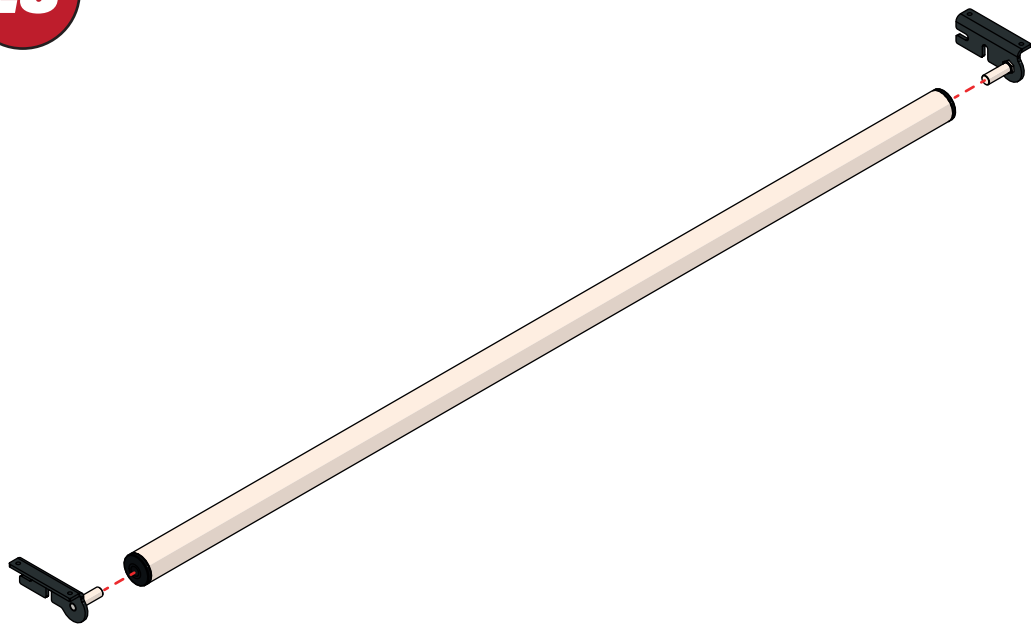


**24****340mm****25****2****X3****2****26****XXX =  
PAGE 2 OF 14****XXXmm****XXXmm****XXXmm****27****X24****20Nm**

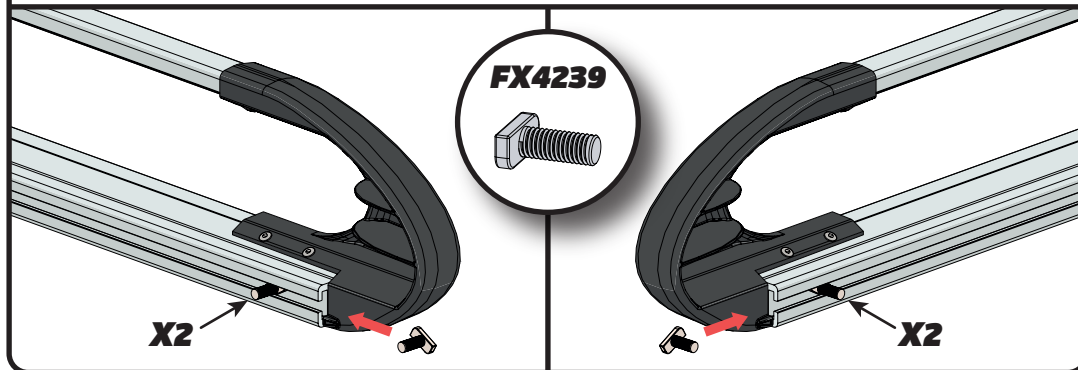
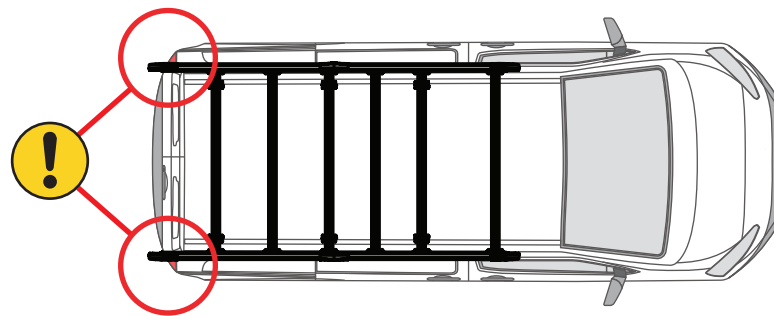
**EN** - TIGHTEN ALL OF THE CROSS BARS  
**DE** - ALLE QUERSTANGEN FESTZIEHEN  
**FR** - SERREZ TOUTES LES BARRES TRANSVERSALES  
**NL** - DRAAI ALLE DWARSBALK VAN HET DAK AAN  
**ES** - APRIETE TODAS LAS BARRAS TRANSVERSALES  
**IT** - STRINGERE TUTTE LE BARRE TRASVERSALI

**SV** - SKRU UPP ALLA KORSSTANGAR  
**DA** - SKRU ALLE TAGBØJLER OP  
**NO** - SKRU OPP ALLE TVERRSTENGER  
**PL** - DOKRĘCIĆ WSZYSTKIE POPRZECZKI  
**CS** - VŠECHNY PŘÍČNÉ TYČE SEŠROUJTE

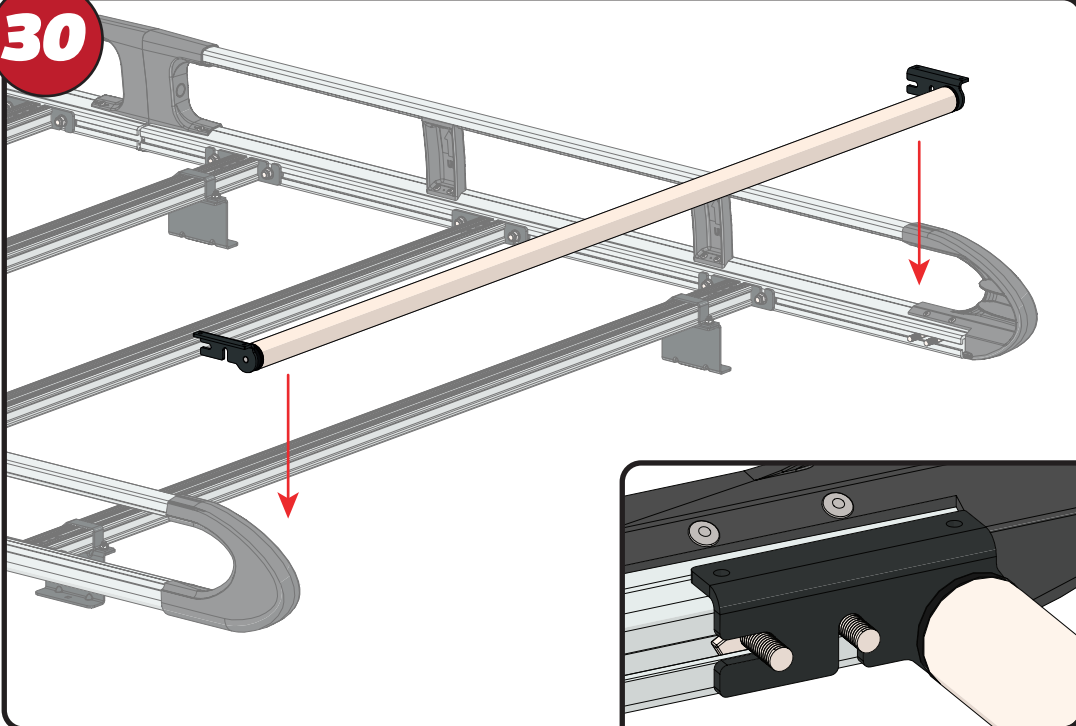
28



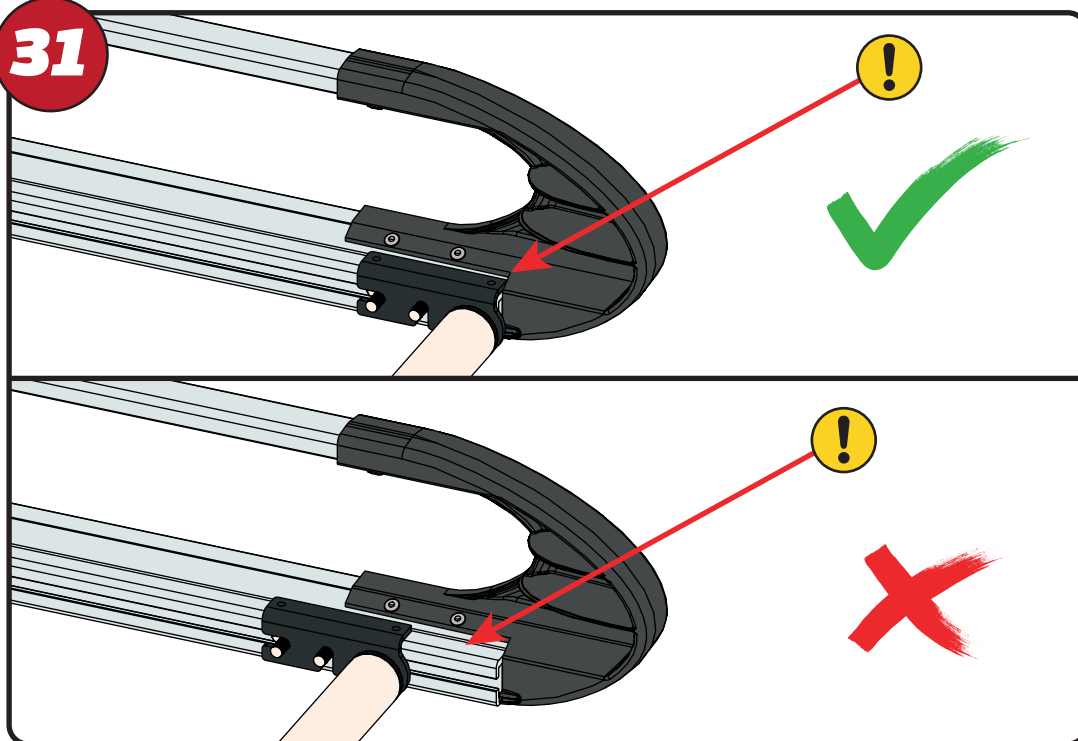
29



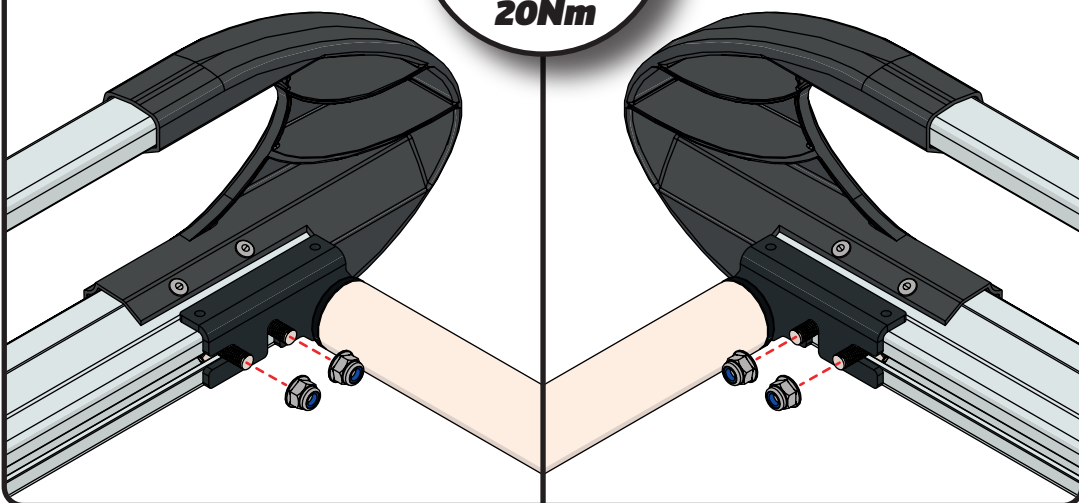
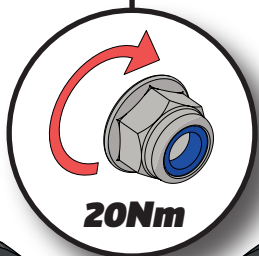
30



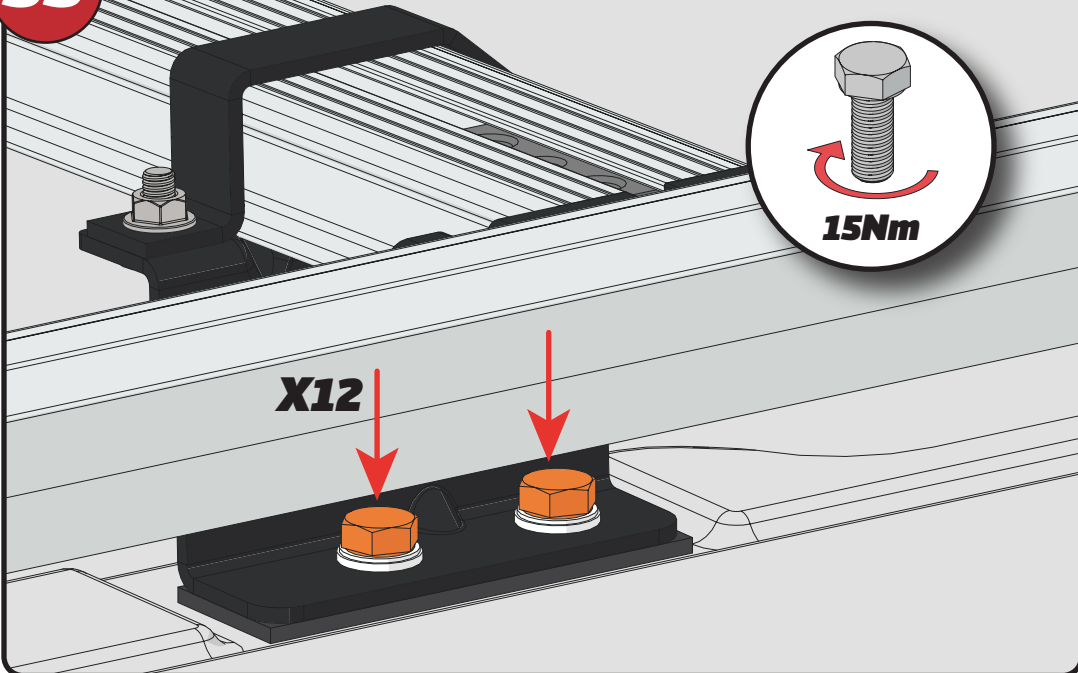
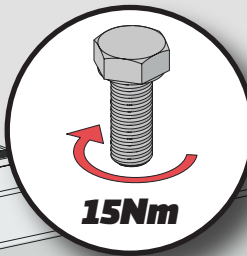
31



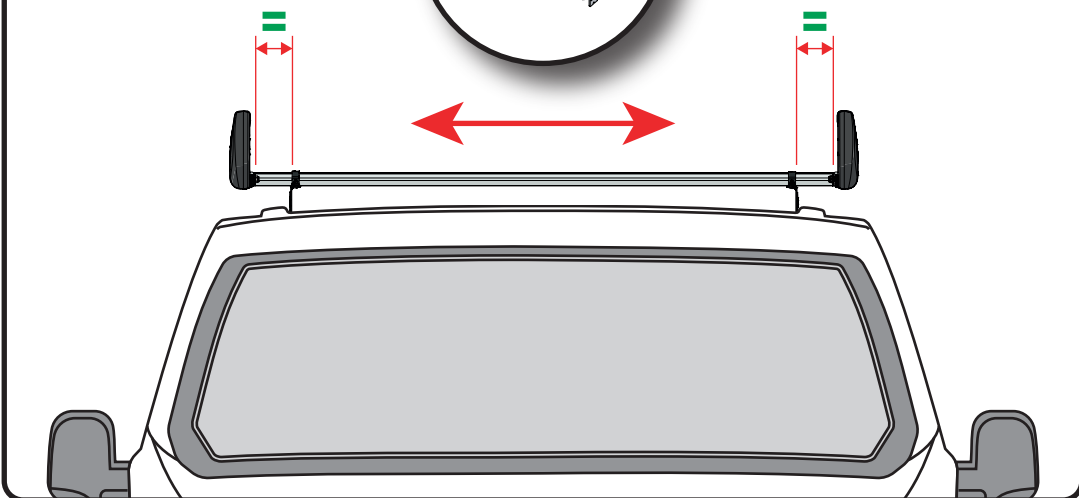
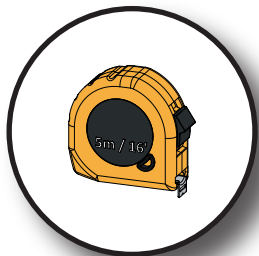
32



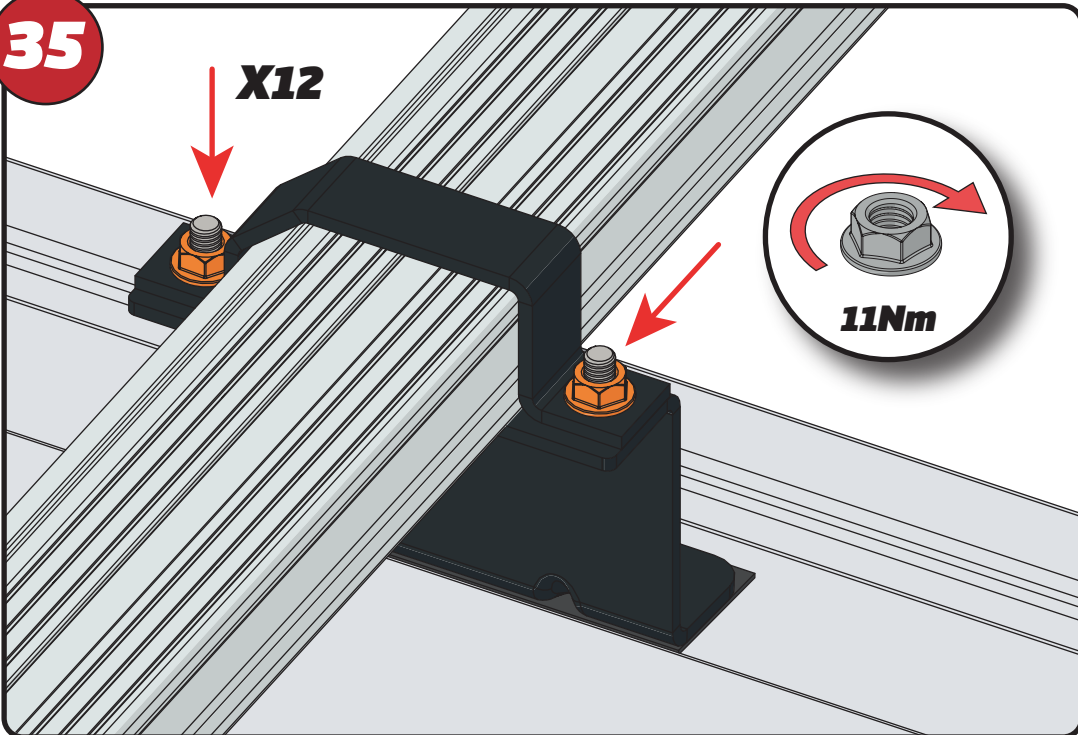
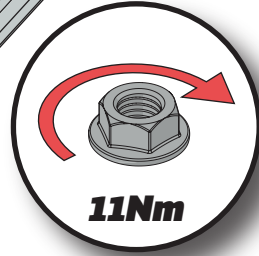
33



34



35

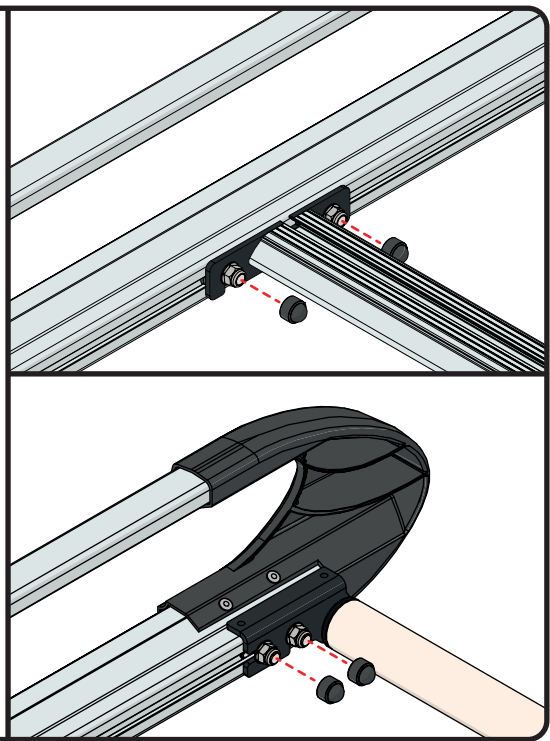


**36**



**FX4241**

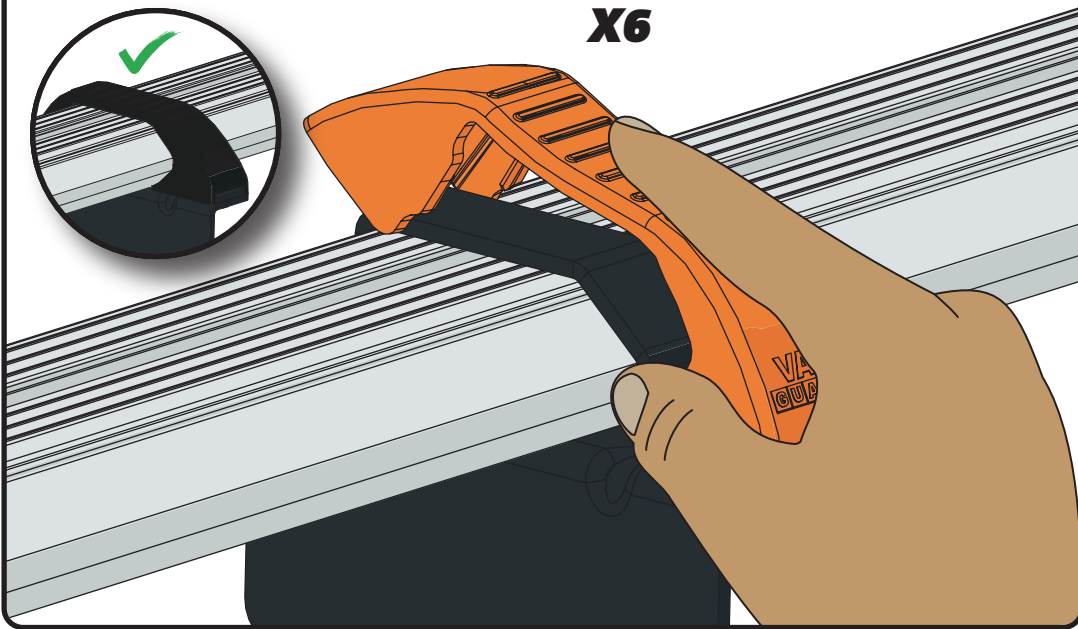
**X28**



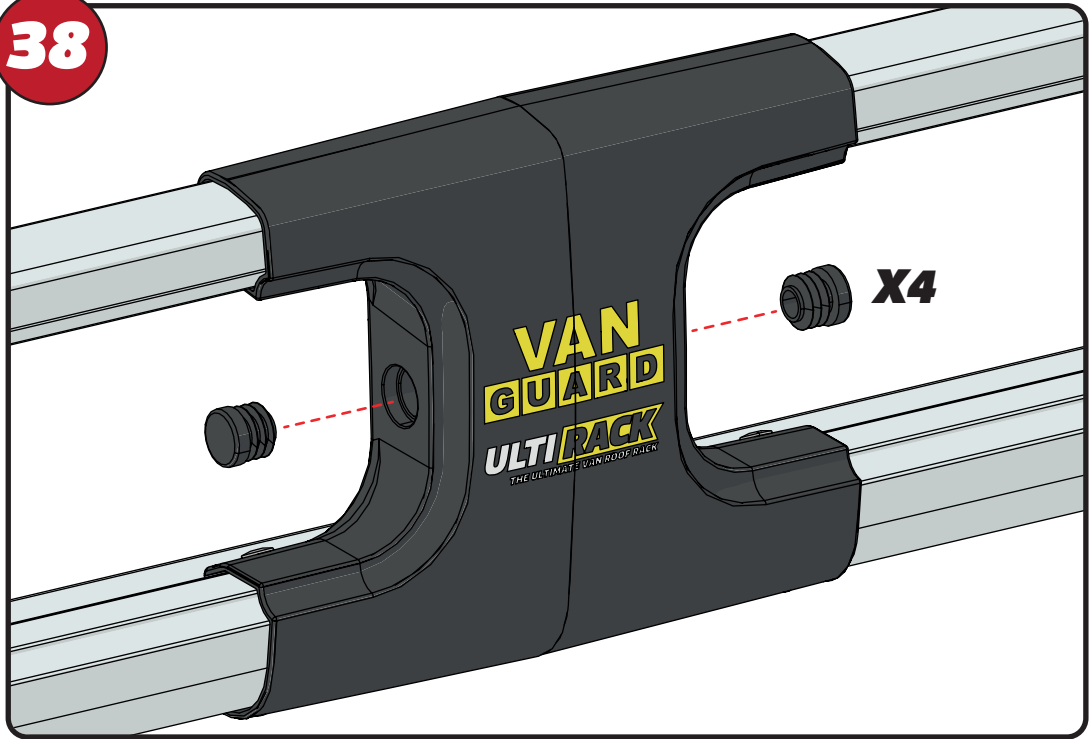
**37**



**X6**



**38**



**VAN  
GUARD  
ULTRARACK**  
THE ULTIMATE VAN ROOF RACK

**X4**

**39**

