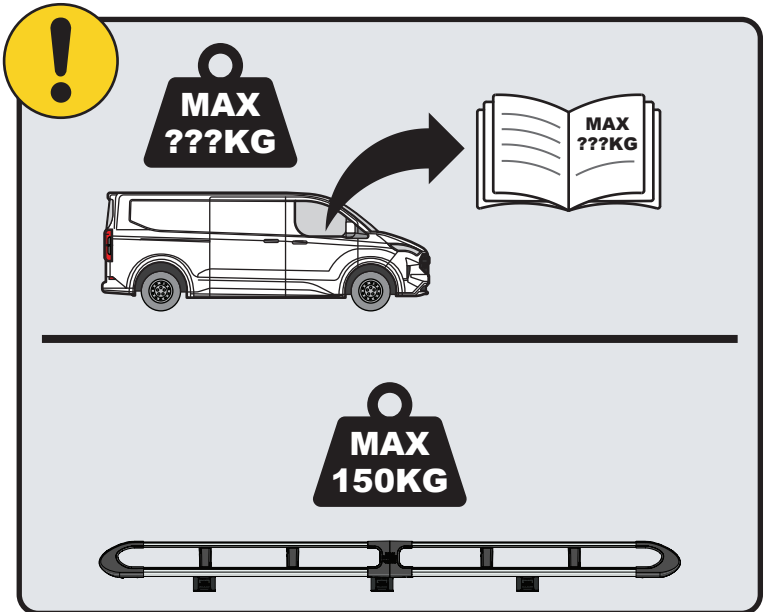
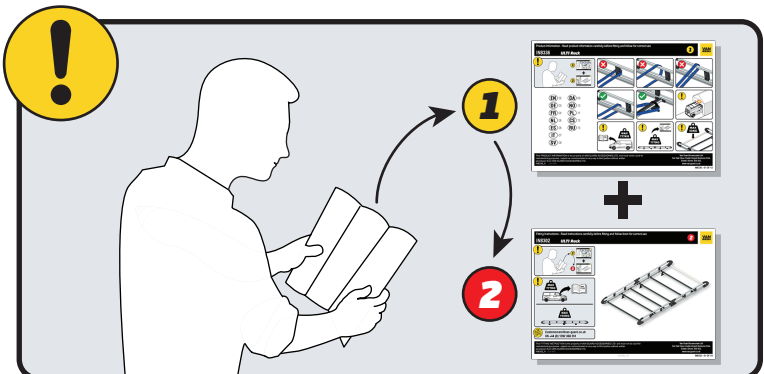


# IN8436

## ULTI Rack+



 [Customercare@van-guard.co.uk](mailto:Customercare@van-guard.co.uk)  
UK +44 (0) 1392 368 351



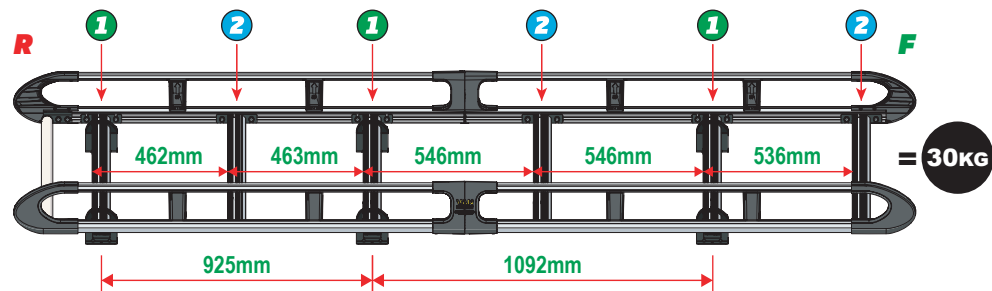
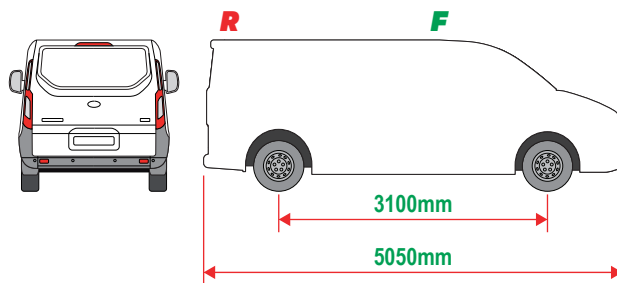
This FITTING INSTRUCTION is the property of VAN GUARD ACCESSORIES LTD. and must not be used for manufacturing purposes, copied nor communicated in any way to third parties without written permission from VAN GUARD ACCESSORIES LTD.  
IN8436\_A (CN:NR)

Van Guard Accessories Ltd  
Fair Oak Close, Exeter Airport Business Park,  
Exeter, Devon, EX5 2UL  
[www.van-guard.co.uk](http://www.van-guard.co.uk)

THIS INSTRUCTION COVERS THE FOLLOWING MODELS - CHECK YOU ARE FITTING THE CORRECT MODEL BEFORE PROCEEDING

# VGUR-296

Ford Transit Custom: 2023-  
Volkswagen Transporter T7 2025-  
L1H1 (SWB)  
Tailgate



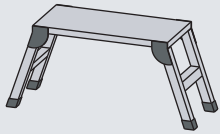
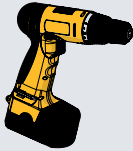
**SUPPLIED COMPONENTS - CHECK ALL PARTS ARE PRESENT AND CORRECT BEFORE PROCEEDING (1 OF 2)**

**TOOLS REQUIRED**

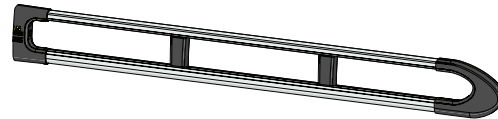
**10MM X1**



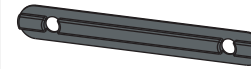
**13MM X1**



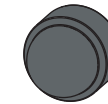
**AS3539 X2**  
(2800 / A)



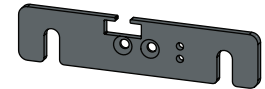
**MA6118 X12**



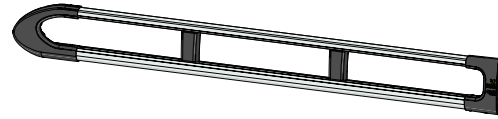
**FX4241 X28**



**ME1622 X3**



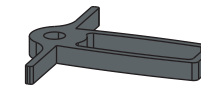
**AS3538 X2**  
(2800 / B)



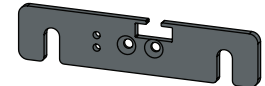
**FX4008 X1**



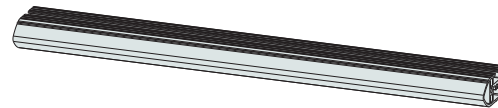
**MA6145 X1**



**ME1623 X3**



**ME1627 X6**  
(1354mm)



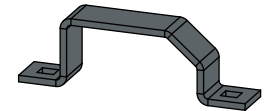
**FX4001 X2**  
(M8X40)



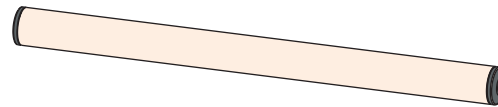
**FX4235 X24**  
(M5X25)



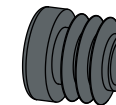
**ME0203 X6**



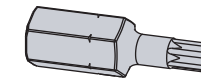
**AS3159 X1**  
(1340mm)



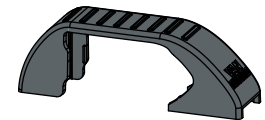
**MA6007 X4**



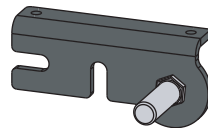
**FX4248 X1**  
(T25)



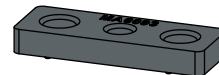
**MA6065 X6**



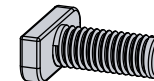
**AS3590 X1**



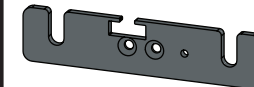
**MA6093 X12**



**FX4239 X28**  
(M8X20)



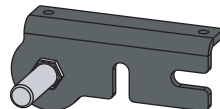
**ME1620 X3**



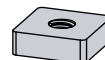
**FX4016 X12**  
(M6)



**AS3591 X1**



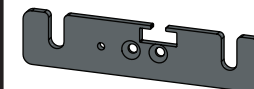
**ME0316 X12**



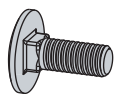
**FX4240 X28**  
(M8)



**ME1621 X3**

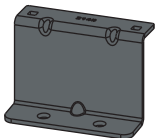


**FX4042 X12**  
(M6X16)



SUPPLIED COMPONENTS - CHECK ALL PARTS ARE PRESENT AND CORRECT BEFORE PROCEEDING (2 OF 2)

**ME2140 X2**

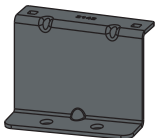


**FX4019 X12**

(M8)

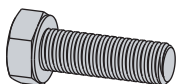


**ME2142 X1**

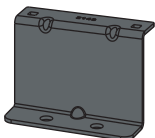


**FX4028 X12**

(M8X25)

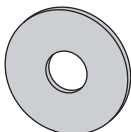


**ME2143 X1**

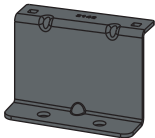


**FX4040 X12**

(M8)



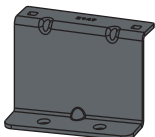
**ME2146 X1**



**MA6181 X6**



**ME2147 X1**



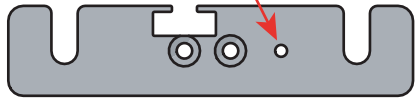
**FX4014 X12**

(RUBBER)



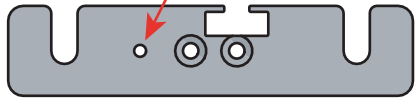
**01**

**1L**



**X3**

**1R**



**X3**

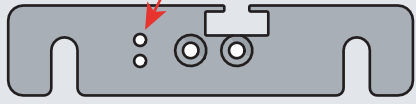


**2L**



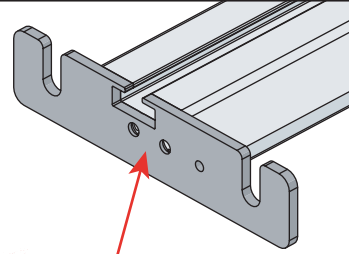
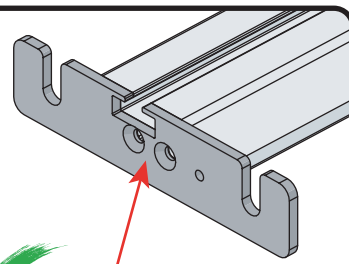
**X3**

**2R**



**X3**

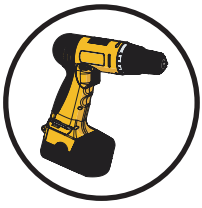
**02**



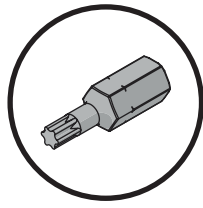
**03**

**01**

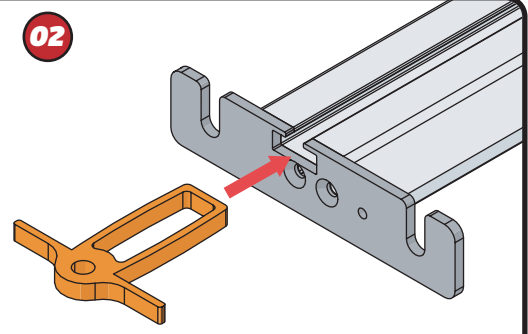
**FX4248**



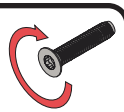
**+**



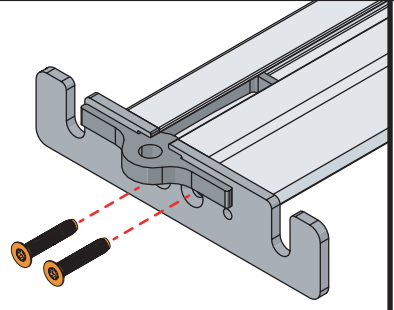
**02**



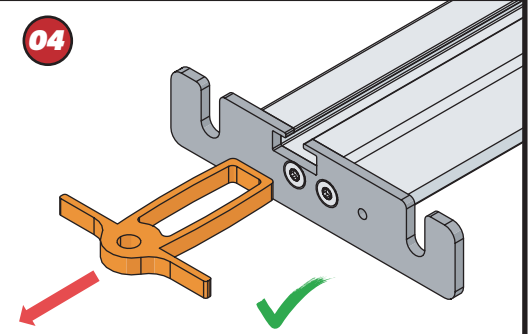
**03**



**11Nm**



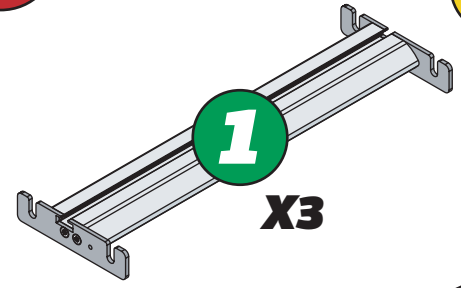
**04**



**04**

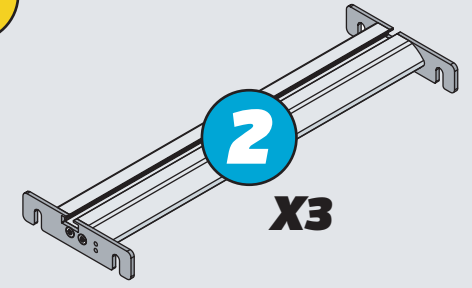


**1**

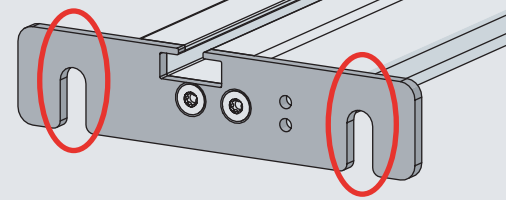
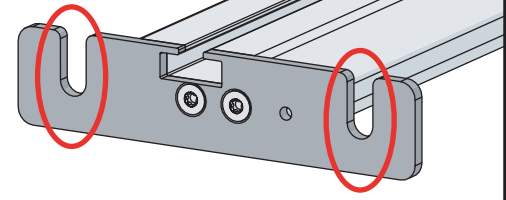


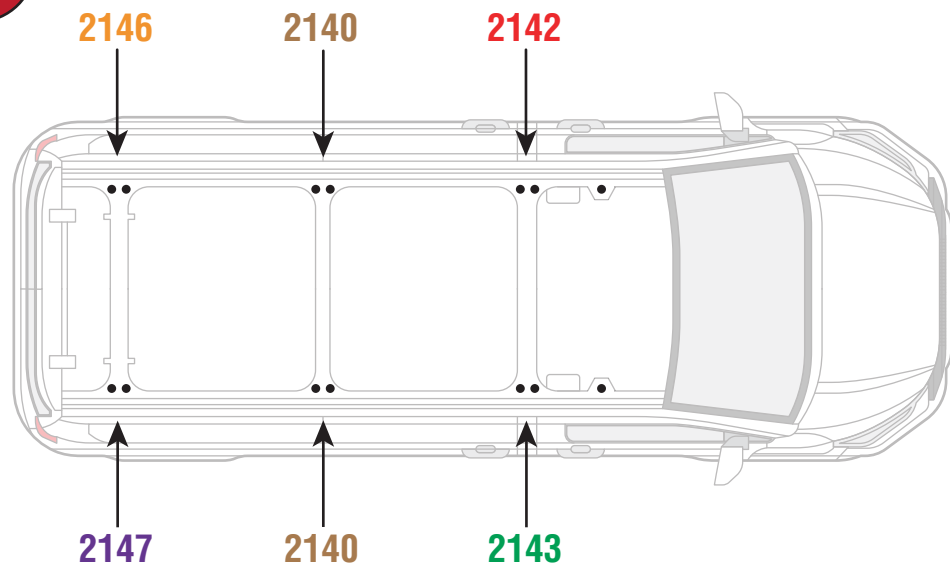
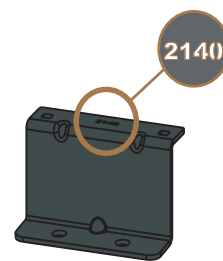
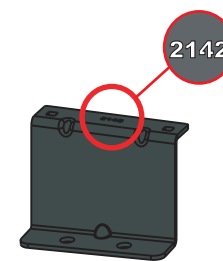
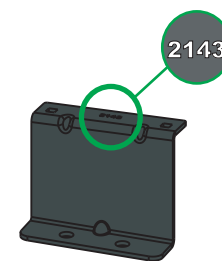
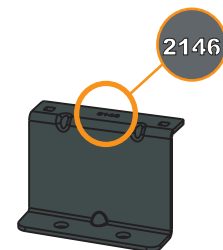
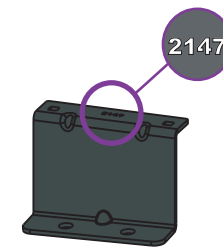
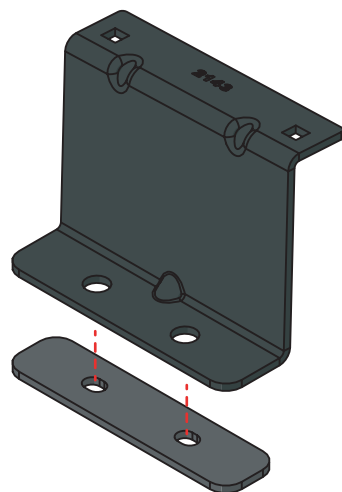
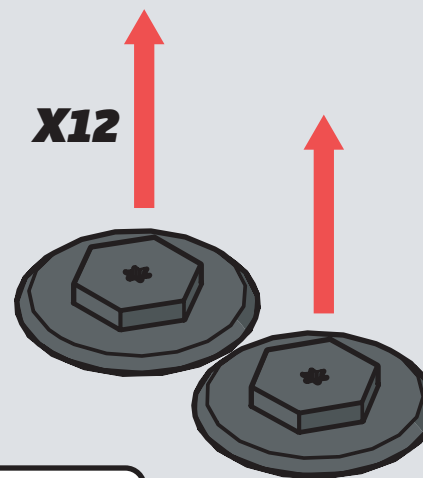
**X3**

**2**



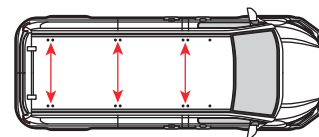
**X3**

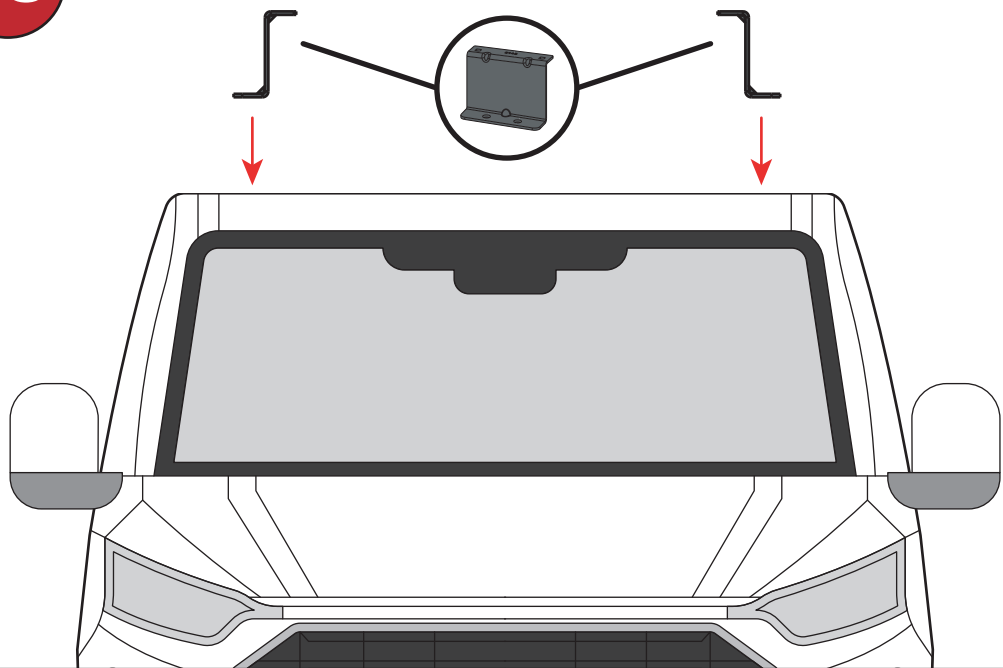
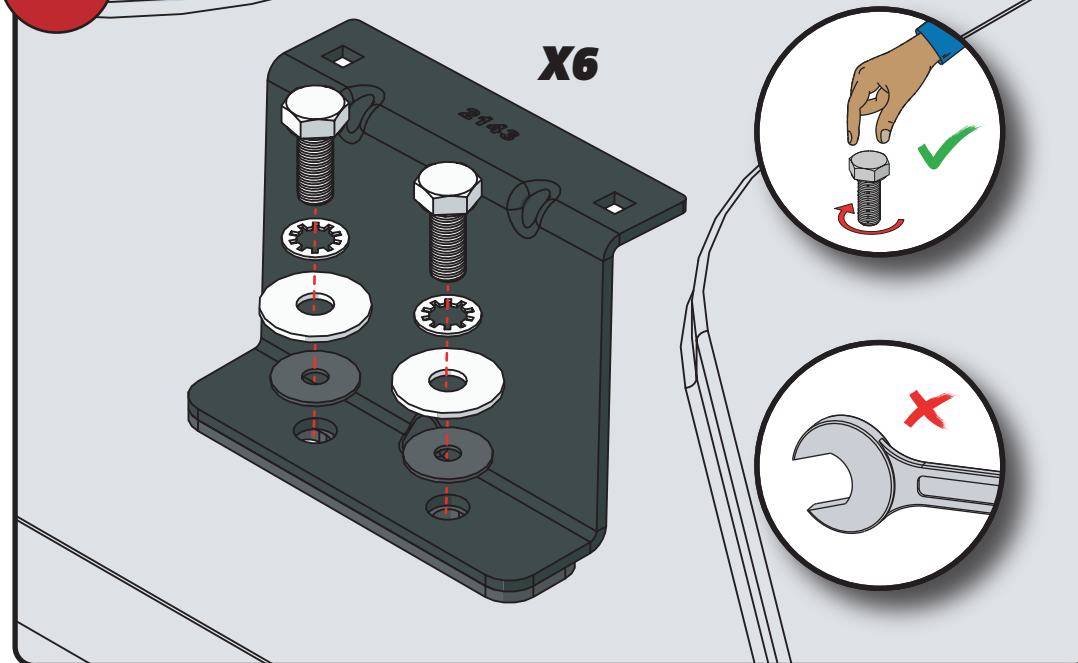
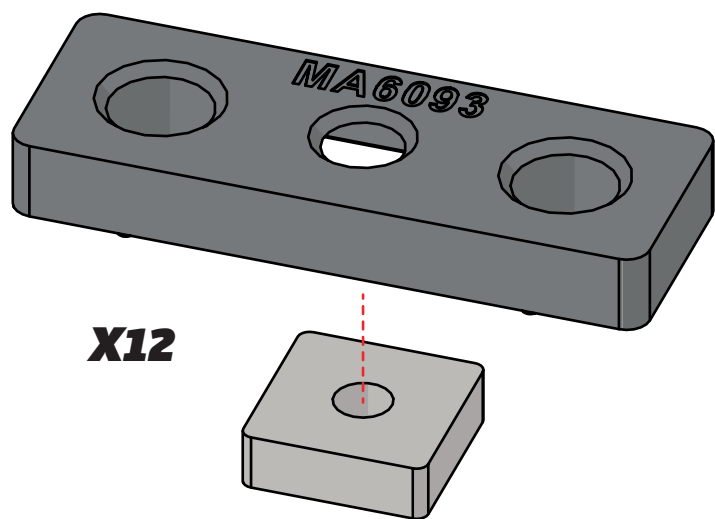
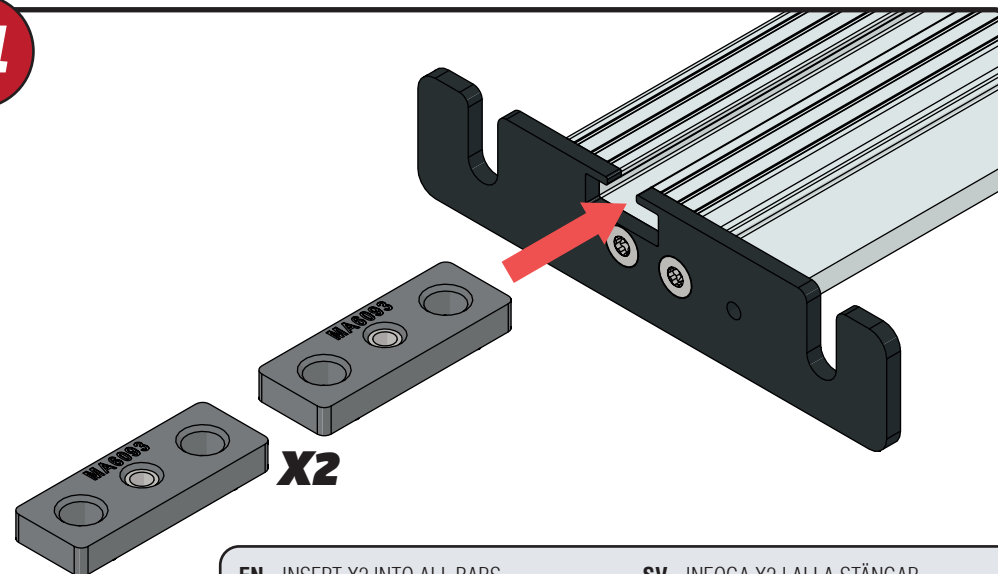


**05****2140****2142****2143****2146****2147****06****07****X12****T27**

EN - STICK GASKETS TO ALL BRACKETS  
 DE - KLEBEN SIE DIE DICHTUNG AN ALLEN HALTERUNGEN  
 FR - COUSSINETS ADHÉSIFS À TOUS LES SUPPORTS  
 NL - PLAK PAKKING OP ALLE BEUGELS  
 ES - PEGA LAS ALMOHADILLAS A TODOS LOS SOPORTES  
 IT - ADESIVI GUARNIZIONI A TUTTE LE STAFFE

SV - FÄST GUMMI PÅ ALLA FÄSTEN  
 DA - KLÆB GUMMI PÅ ALLE BESLAG  
 NO - PLIST GUMMI PÅ ALLE BRAKKETTER  
 PL - NAKLEJ USZCZELKI DO WSZYSTKICH WSPORNIKÓW  
 CS - PŘILEPTE TĚSNĚNÍ NA VŠECHNY DRŽÁKY

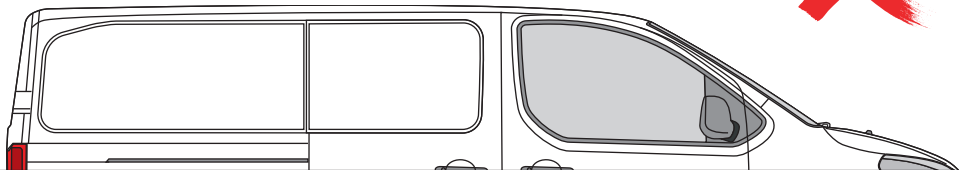
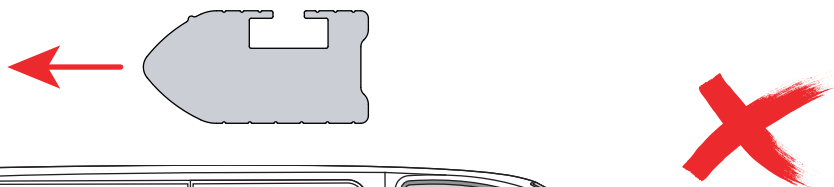
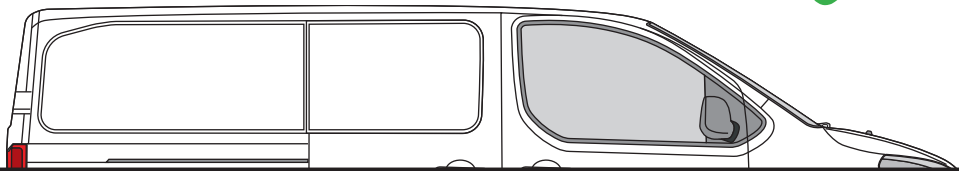


**08****09****10****11**

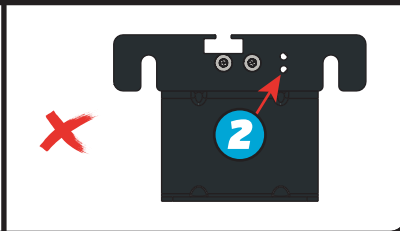
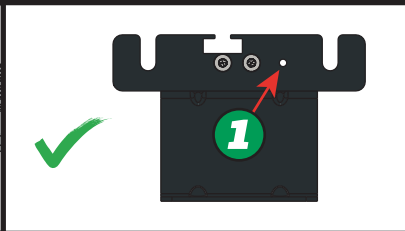
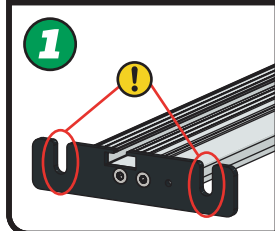
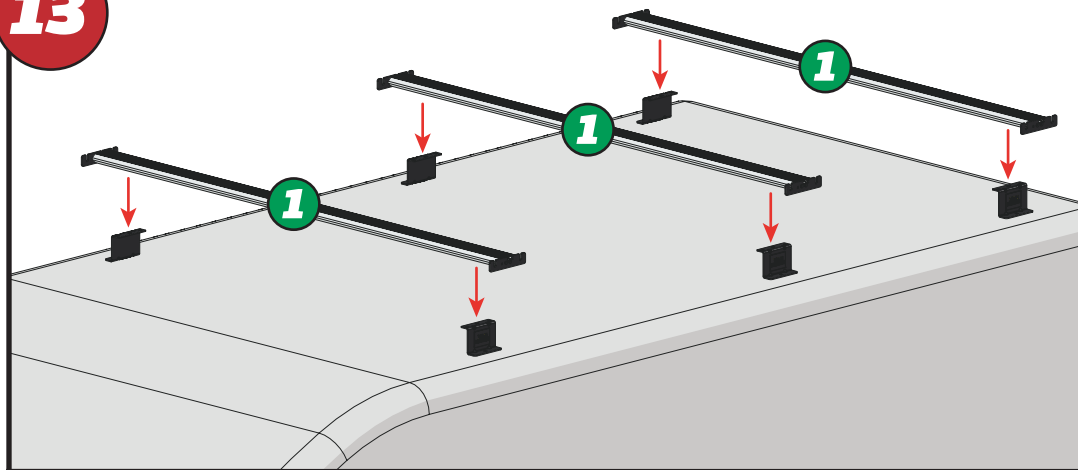
EN - INSERT X2 INTO ALL BARS  
 DE - X2 IN ALLE STANGEN EINFÜGEN  
 FR - INSÉRER X2 DANS TOUTES LES BARRES  
 NL - PLAATS X2 IN ALLE BARS  
 ES - INSERTAR X2 EN TODAS LAS BARRAS  
 IT - INSERIRE X2 IN TUTTE LE BARRE

SV - INFOGA X2 I ALLA STÄNGAR  
 DA - INDSÆT X2 I ALLE STÆNGER  
 NO - SETT X2 INN I ALLE TAKSTENGER  
 PL - WSTAW X2 DO WSZYSTKICH PRĘTÓW  
 CS - VLOŽTE X2 DO VŠECH TYČÍ

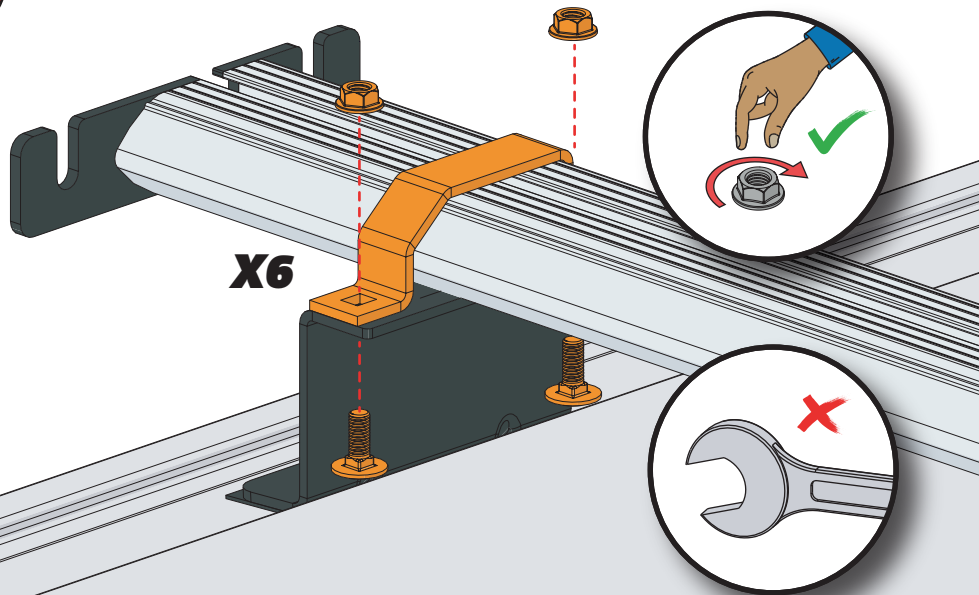
12



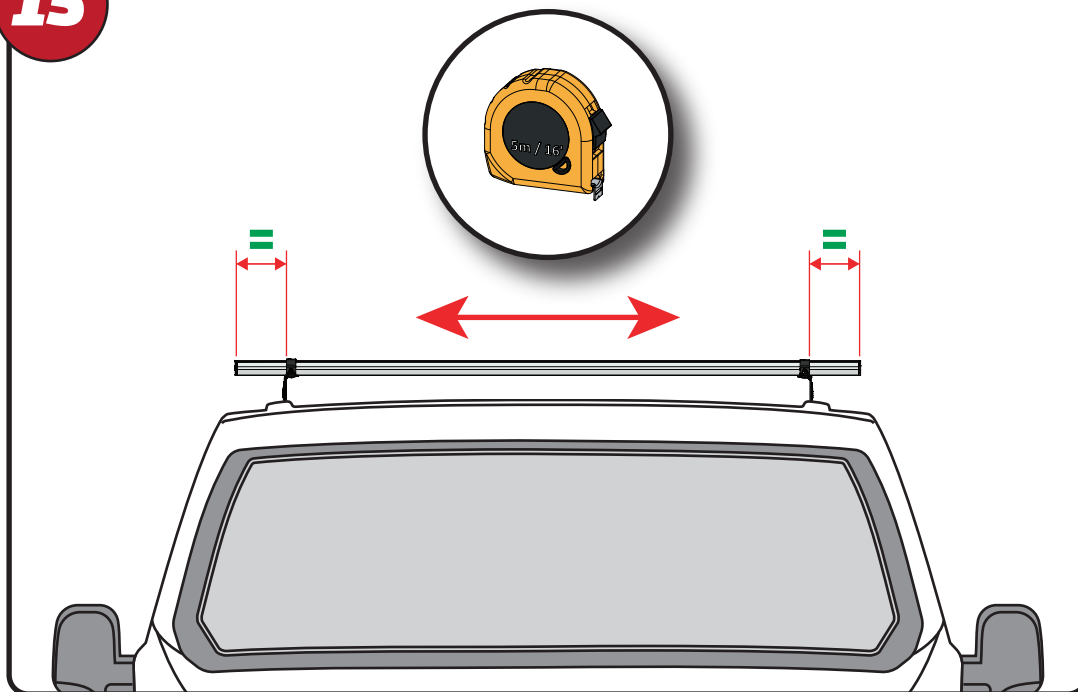
13



14



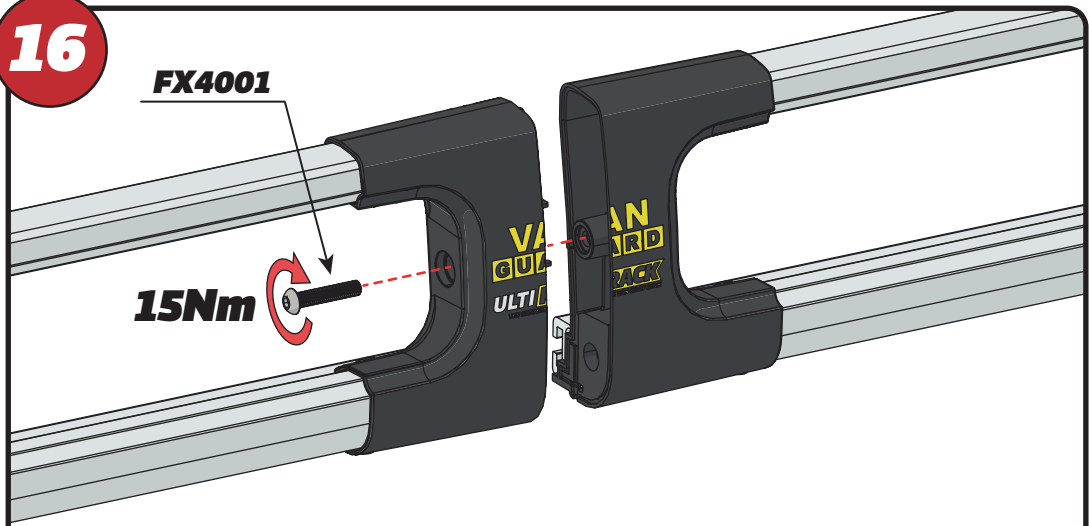
15



16

FX4001

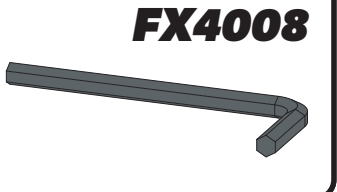
15Nm



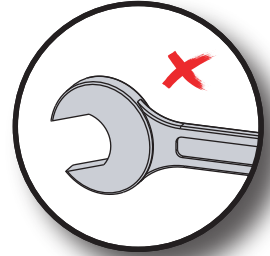
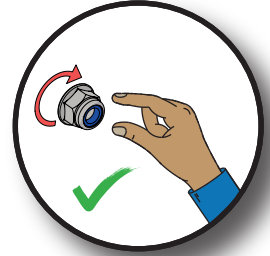
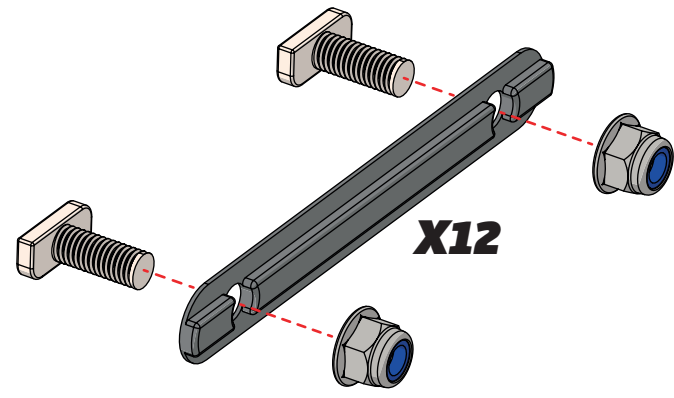
X2



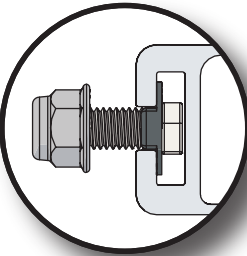
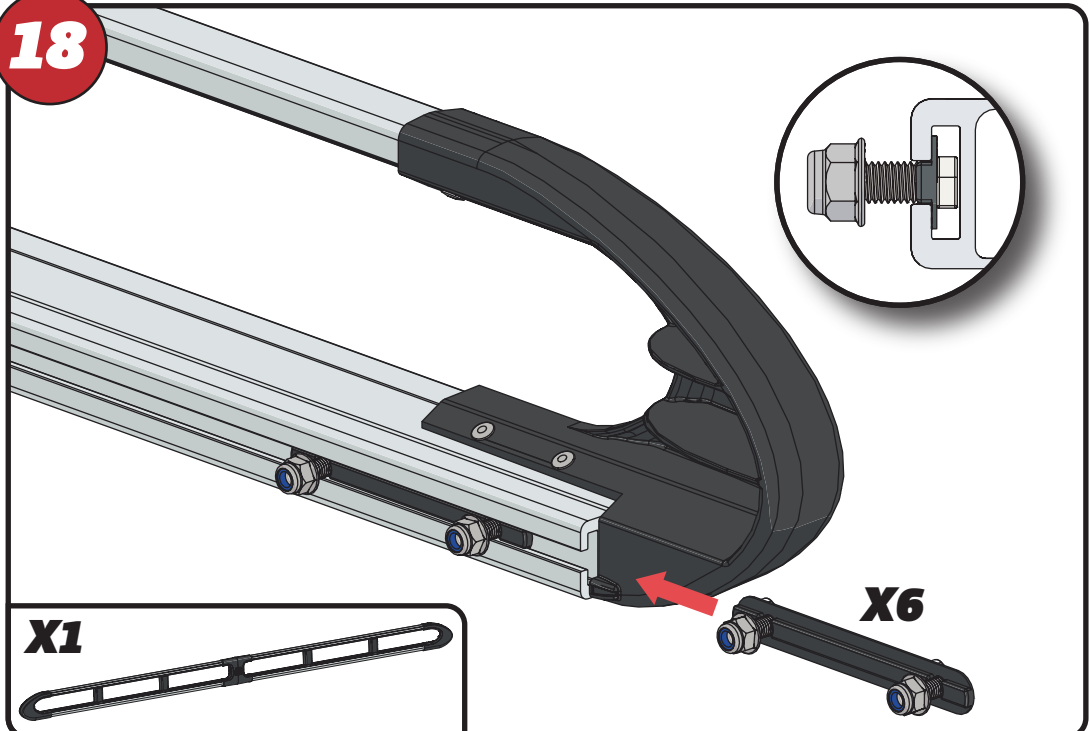
FX4008



17



18



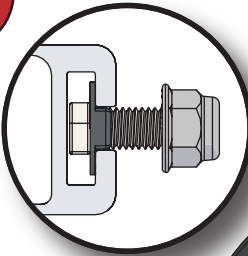
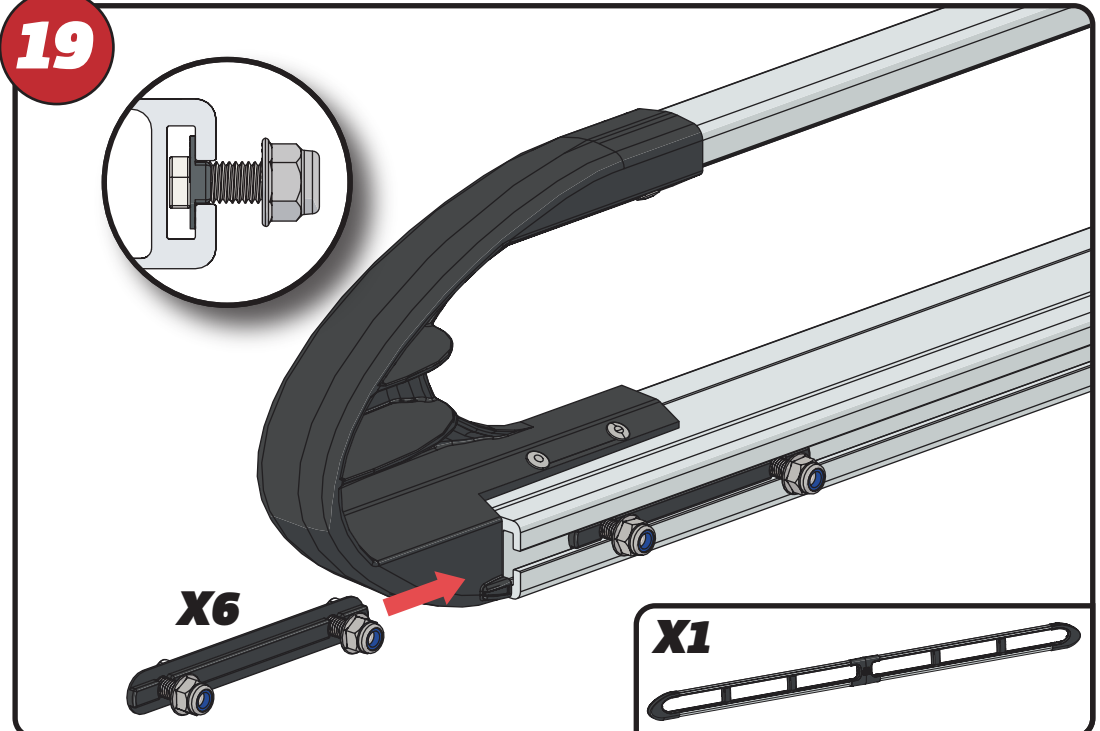
X1



X6



19



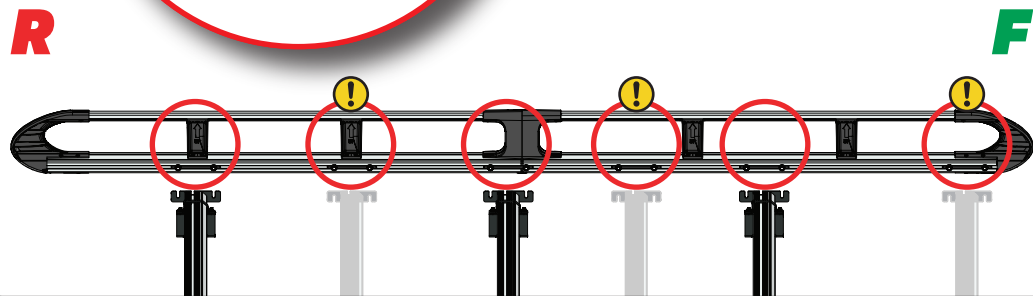
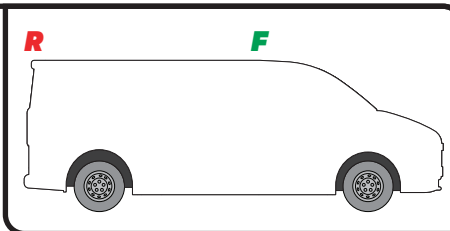
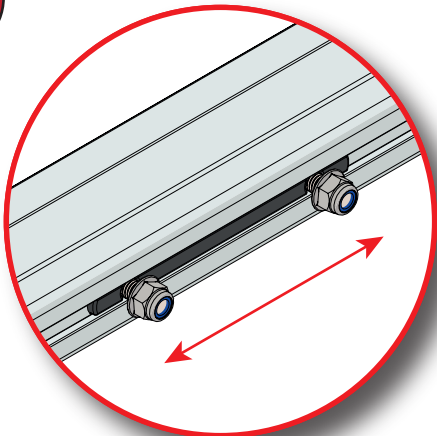
X6



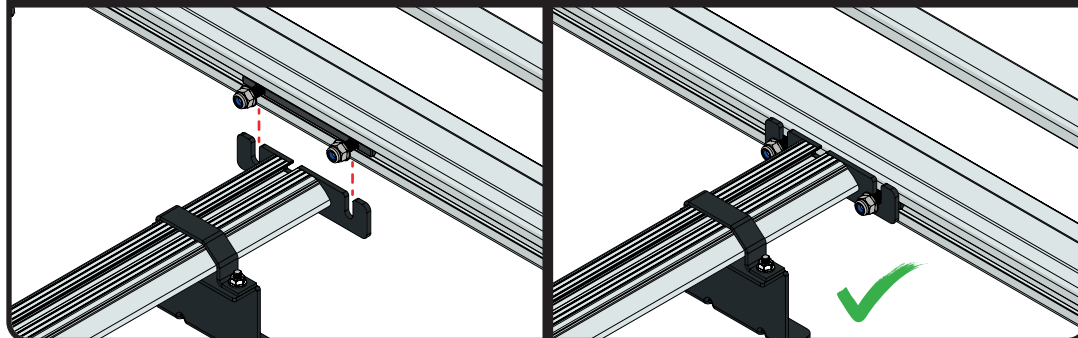
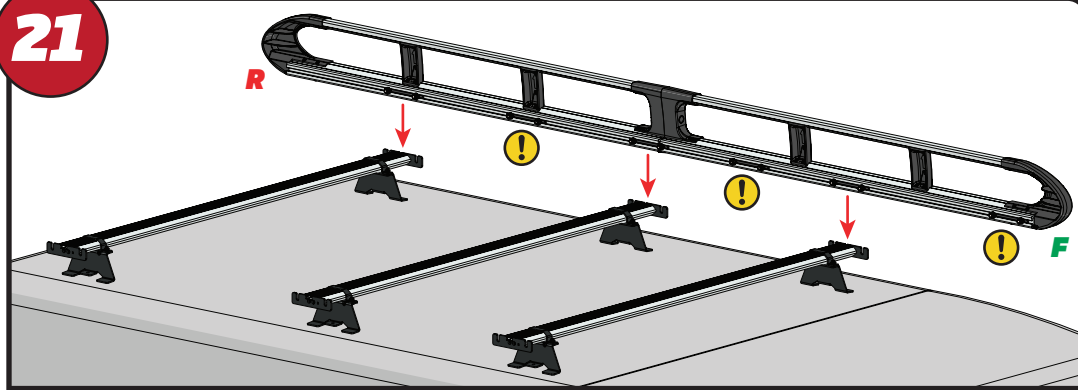
X1



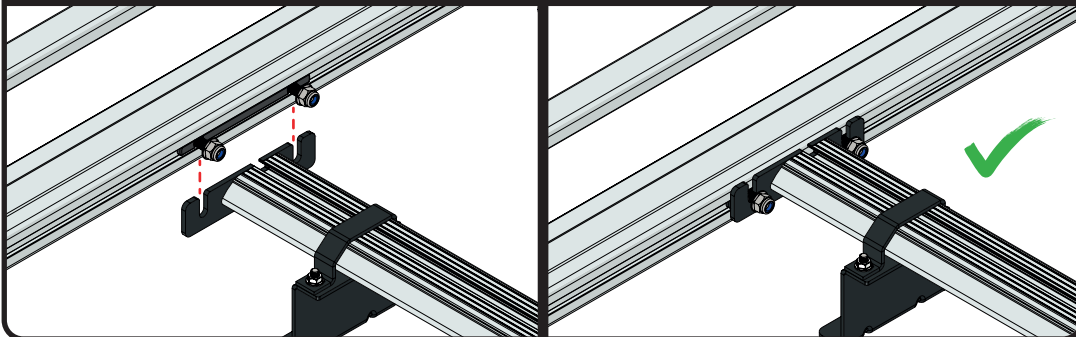
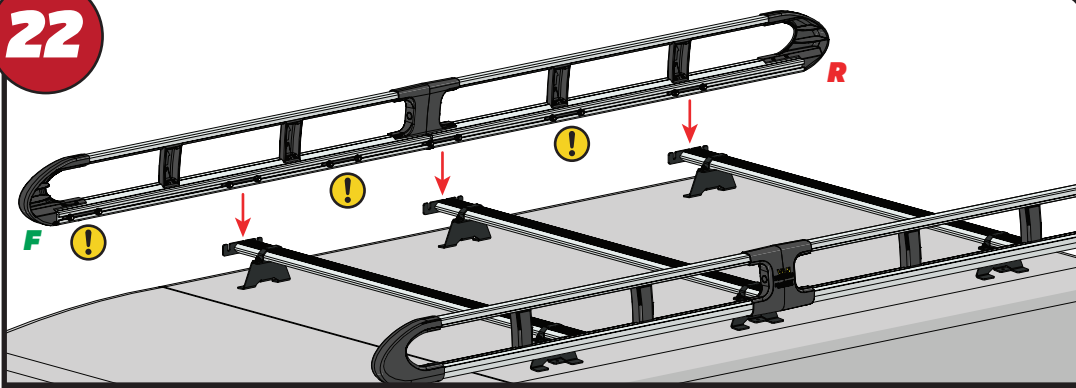
20



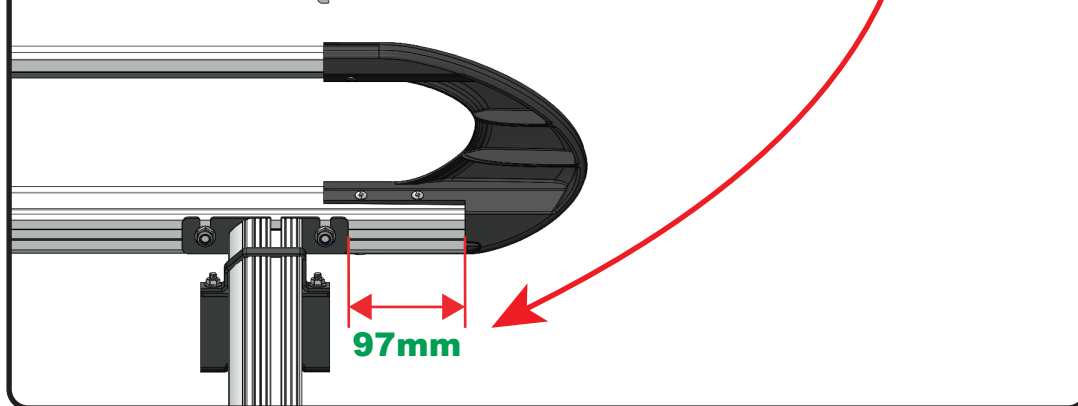
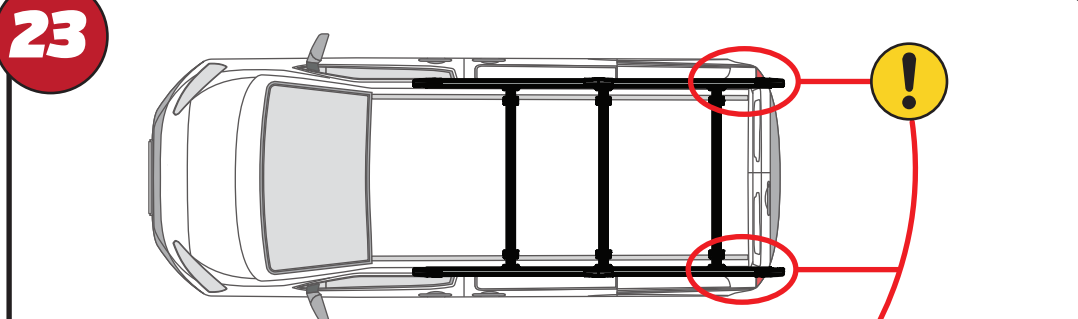
21

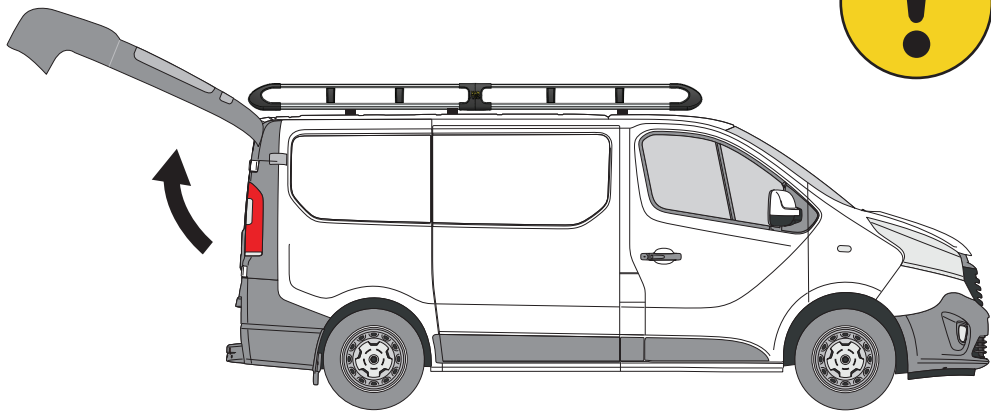


22



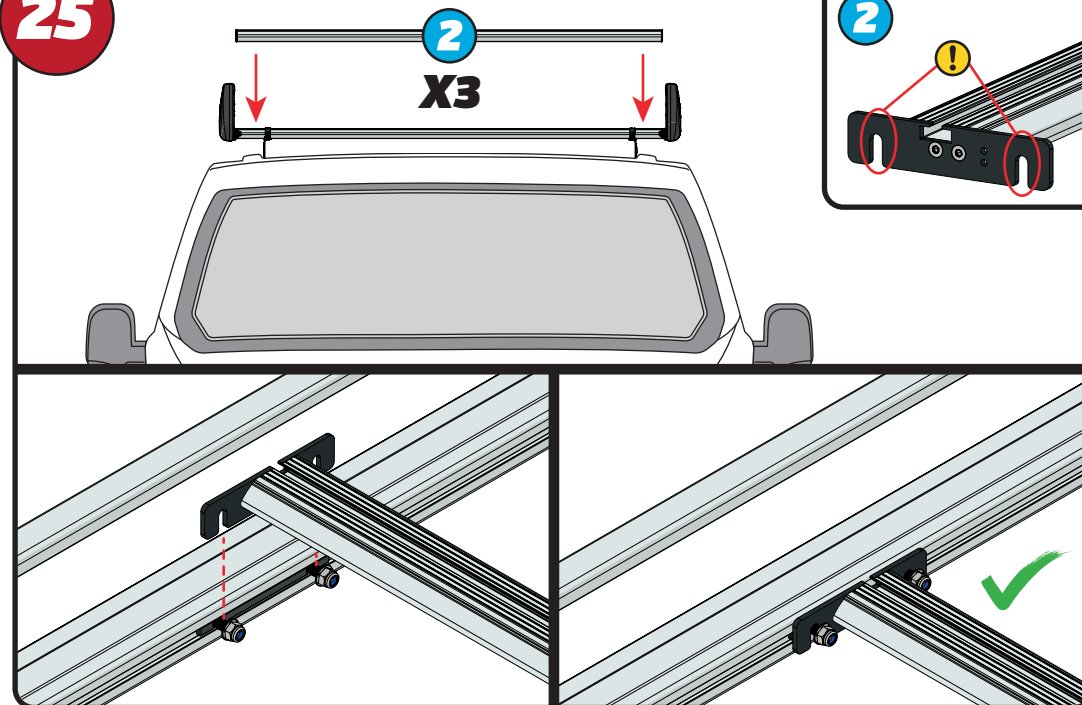
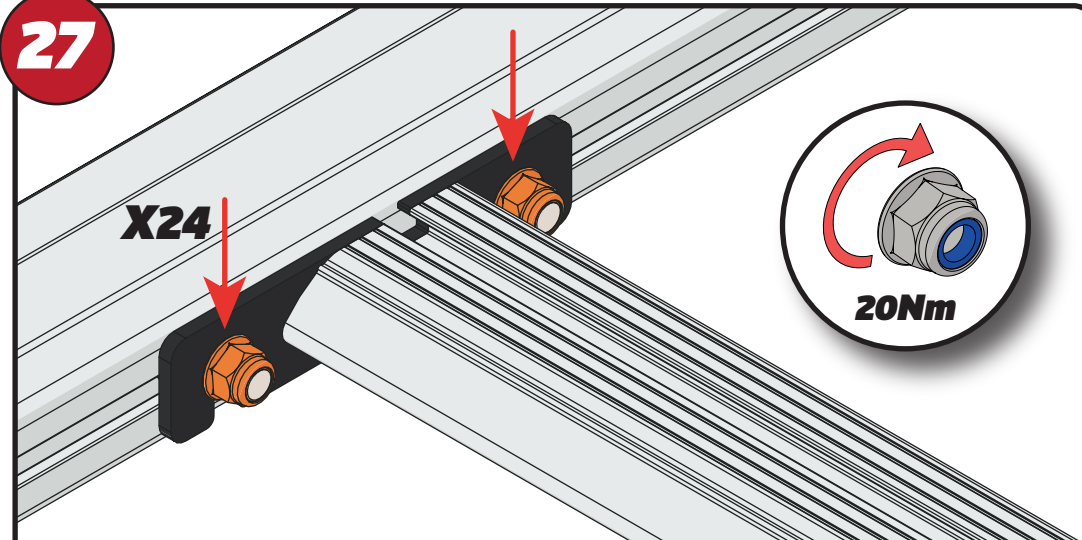
23



**24**

EN - CHECK TO ENSURE CLEARANCE FROM TAILGATE  
 DE - ÜBERPRÜFEN SIE DEN ABSTAND ZUR HECKKLAPPE  
 FR - VÉRIFIEZ LE DÉGAGEMENT PAR RAPPORT AU HAYON  
 NL - CONTROLEER OP VRIJHEID VAN DE ACHTERKLEP  
 ES - VERIFIQUE EL ESPACIO LIBRE CON LA PUERTA TRASERA  
 IT - CONTROLLARE LA DISTANZA DALLA PORTELLONE

SV - KONTROLLERA AVSTÅND TILL BAKLUCKAN  
 DA - KONTROLLER AFSTAND TIL BAGKLAPPEN  
 NO - KONTROLLER KLARERING FRA BAKLUKE  
 PL - SPRAWDŹ PRZEŚWIT OD TYLNEJ KLAPY  
 CS - ZKONTROLUJTE VZDÁLENOST OD ZADNÍCH DVEŘÍ

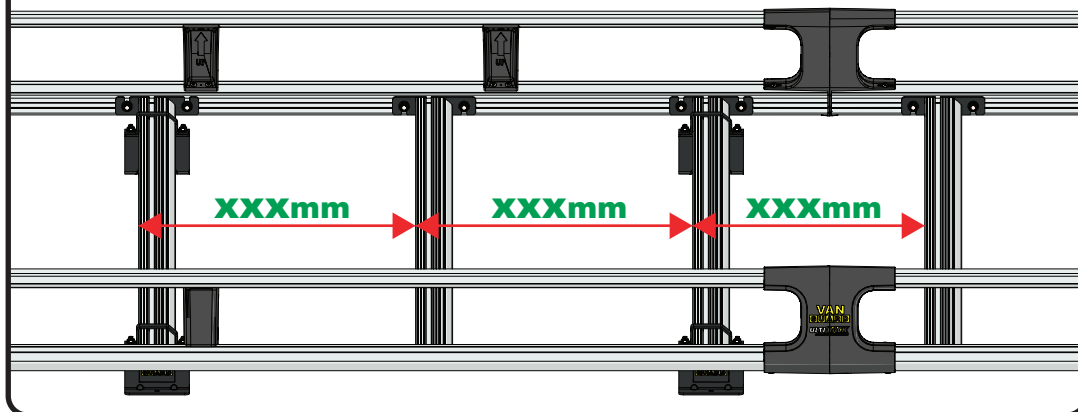
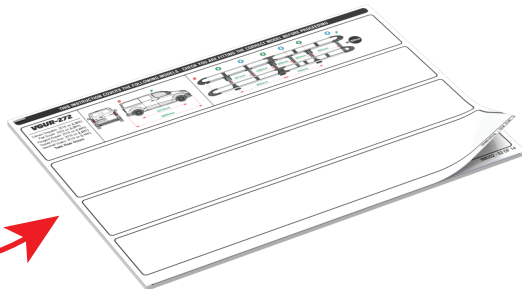
**25****27**

EN - TIGHTEN ALL OF THE CROSS BARS  
 DE - ALLE QUERSTANGEN FESTZIEHEN  
 FR - SERREZ TOUTES LES BARRES TRANSVERSALES  
 NL - DRAAI ALLE DWARSBALK VAN HET DAK AAN  
 ES - APRIETE TODAS LAS BARRAS TRANSVERSALES  
 IT - STRINGERE TUTTE LE BARRE TRASVERSALI

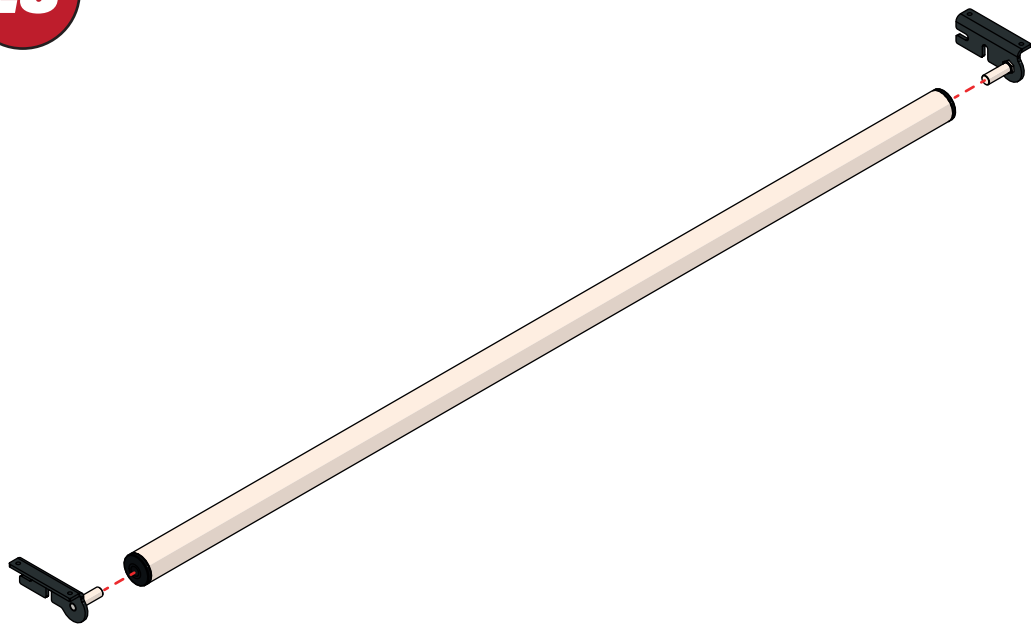
SV - SKRU UPP ALLA KORSSTANGAR  
 DA - SKRU ALLE TAGBØJLER OP  
 NO - SKRU OPP ALLE TVERRSTENGER  
 PL - DOKRĘCIĆ WSZYSTKIE POPRZECZKI  
 CS - VŠECHNY PŘÍČNÉ TYČE SEŠROUJTE

**26**

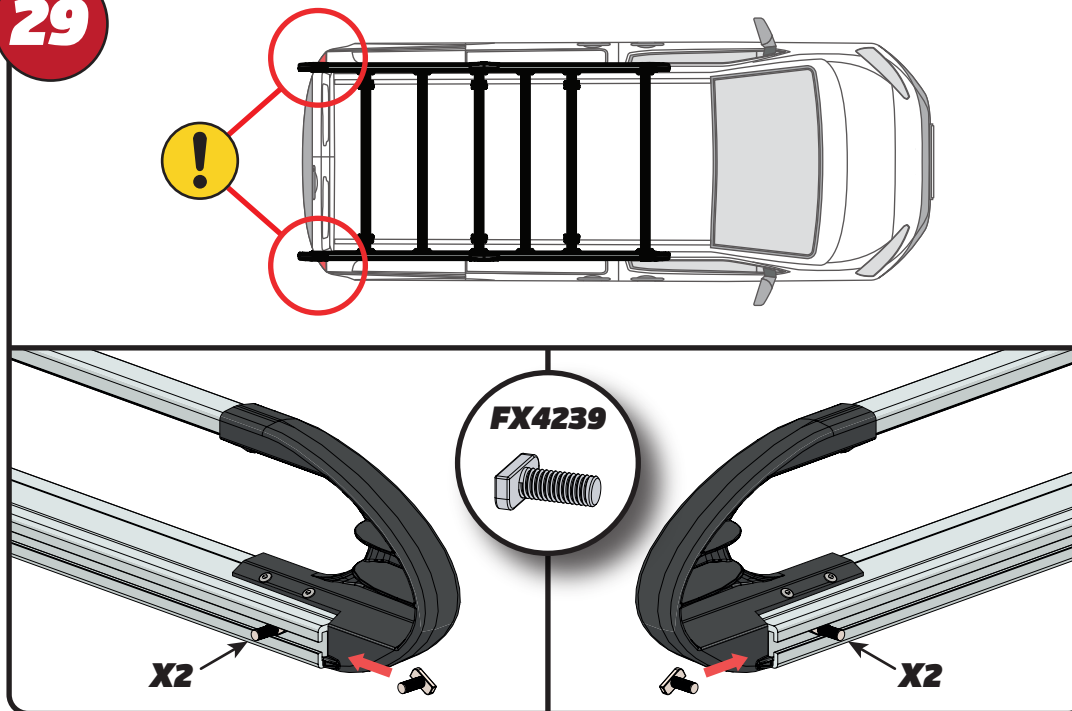
XXX =  
 PAGE 2 OF 14



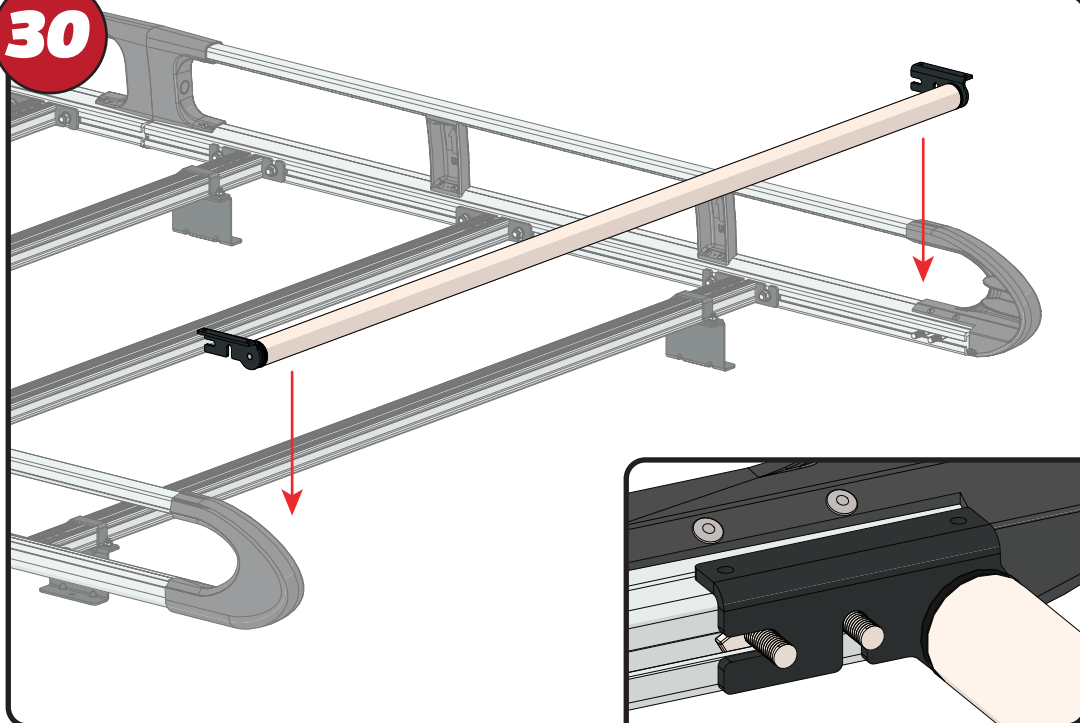
28



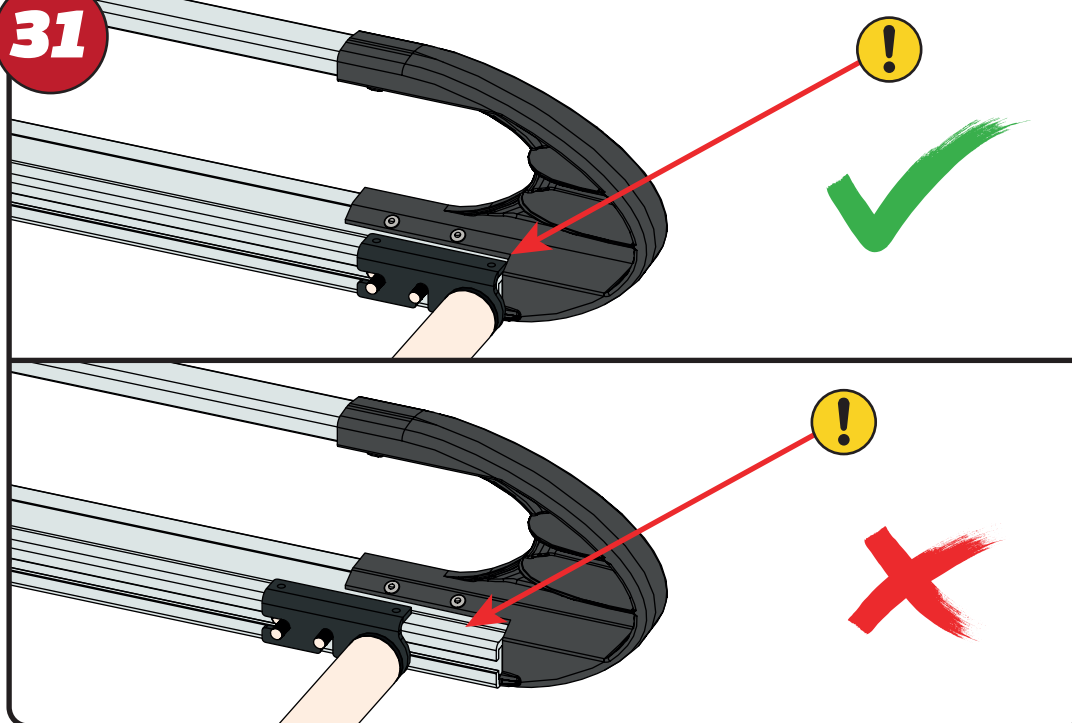
29



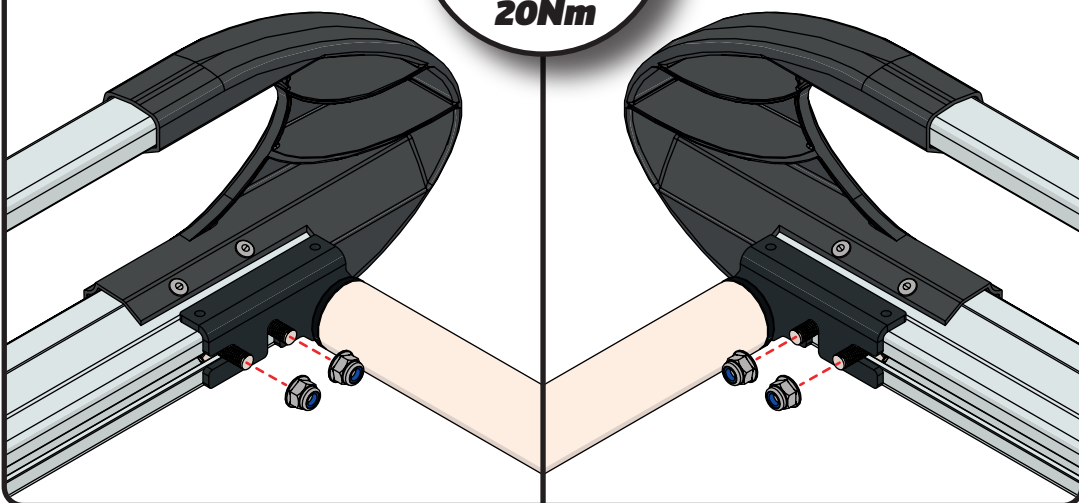
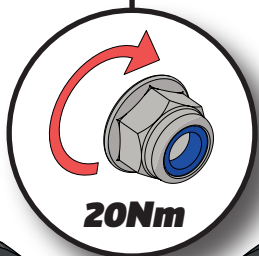
30



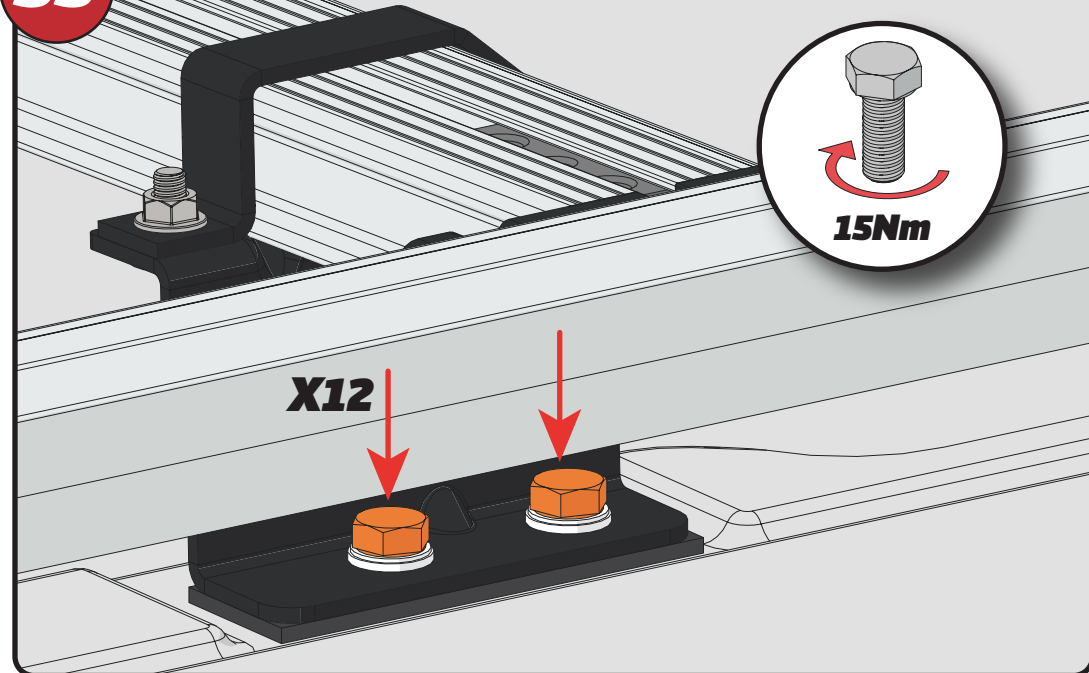
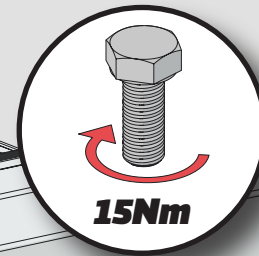
31



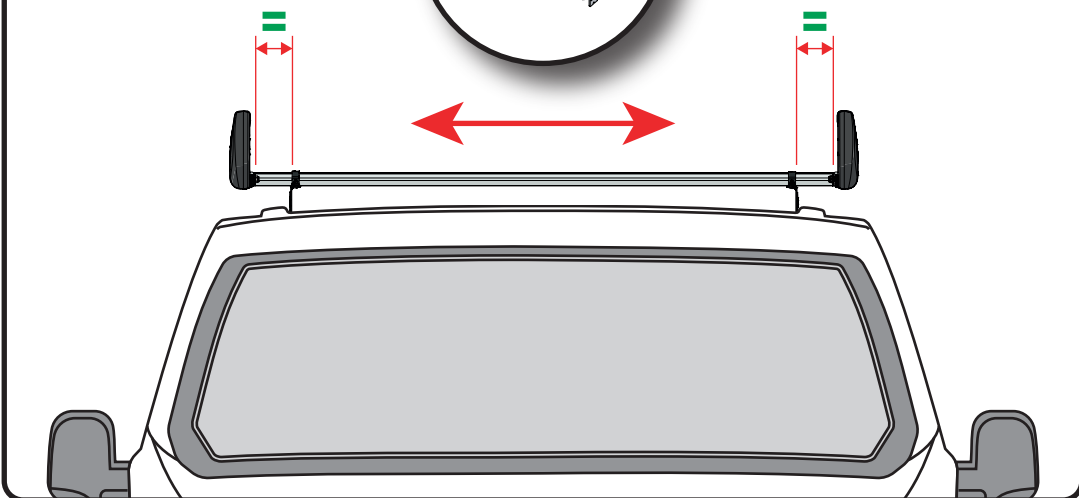
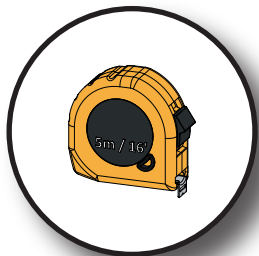
32



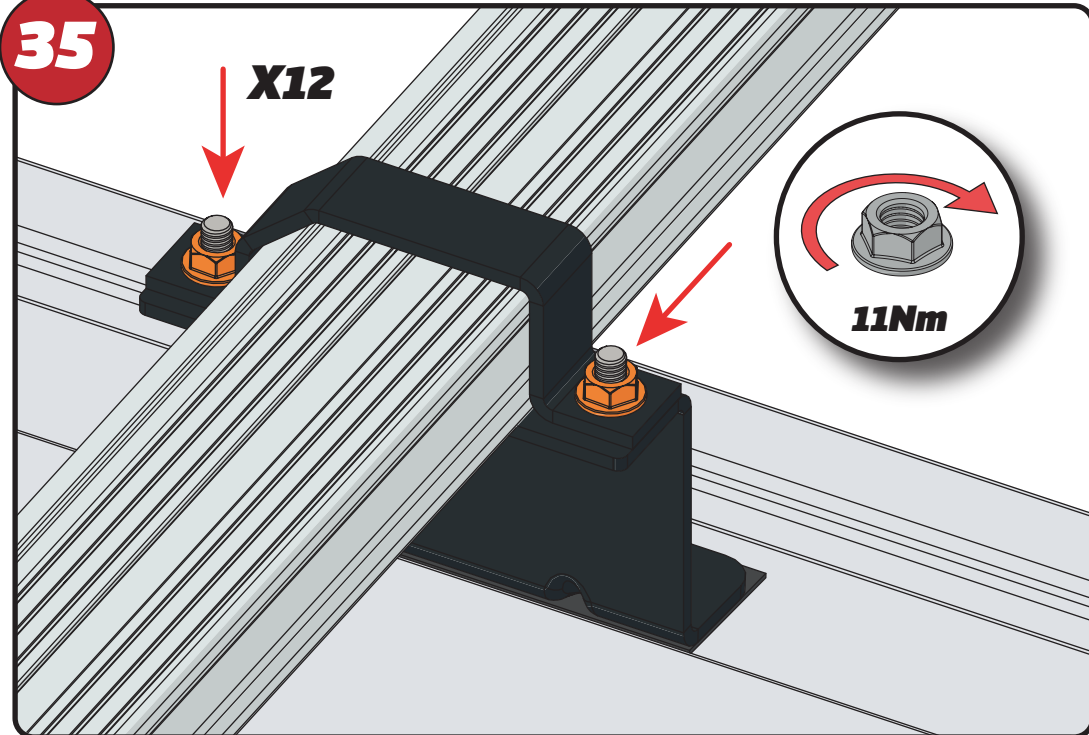
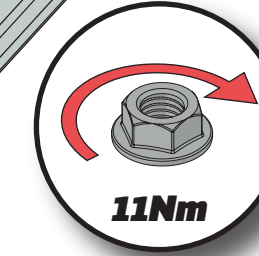
33



34



35

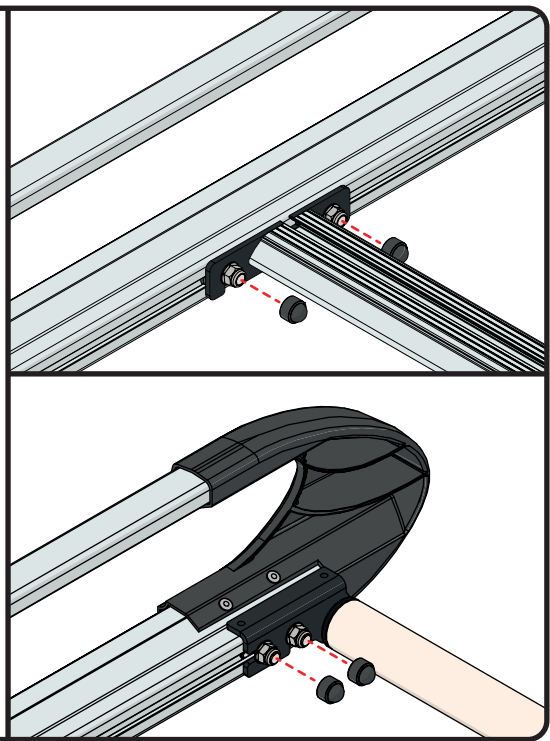


**36**



**FX4241**

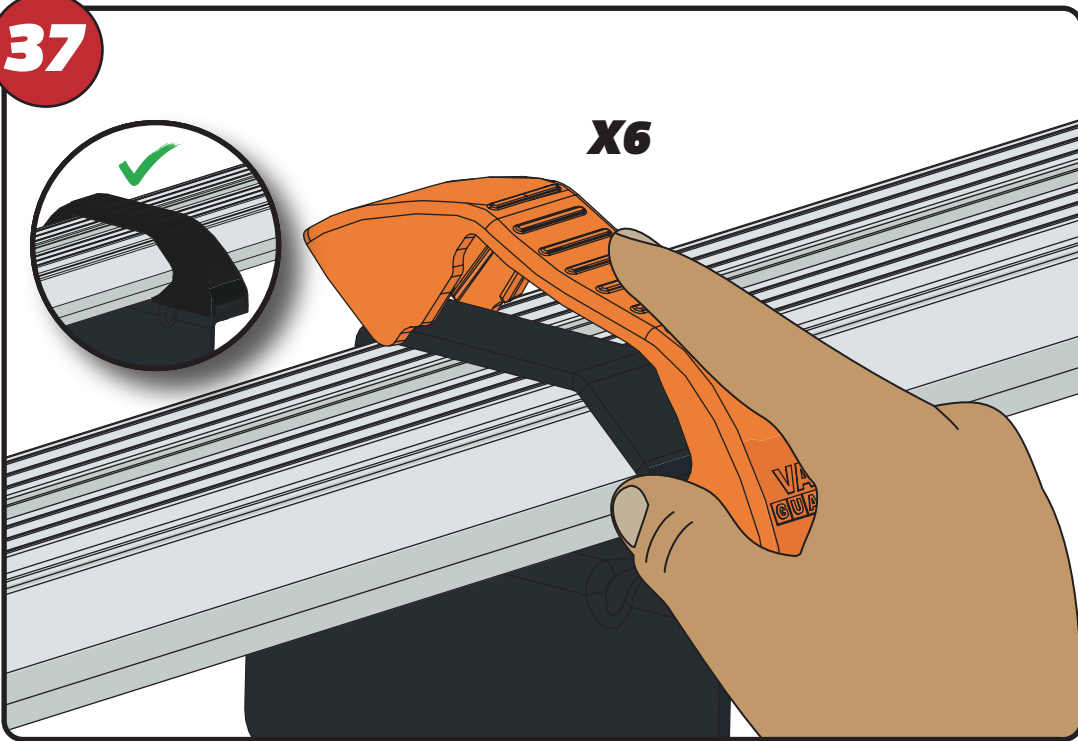
**X28**



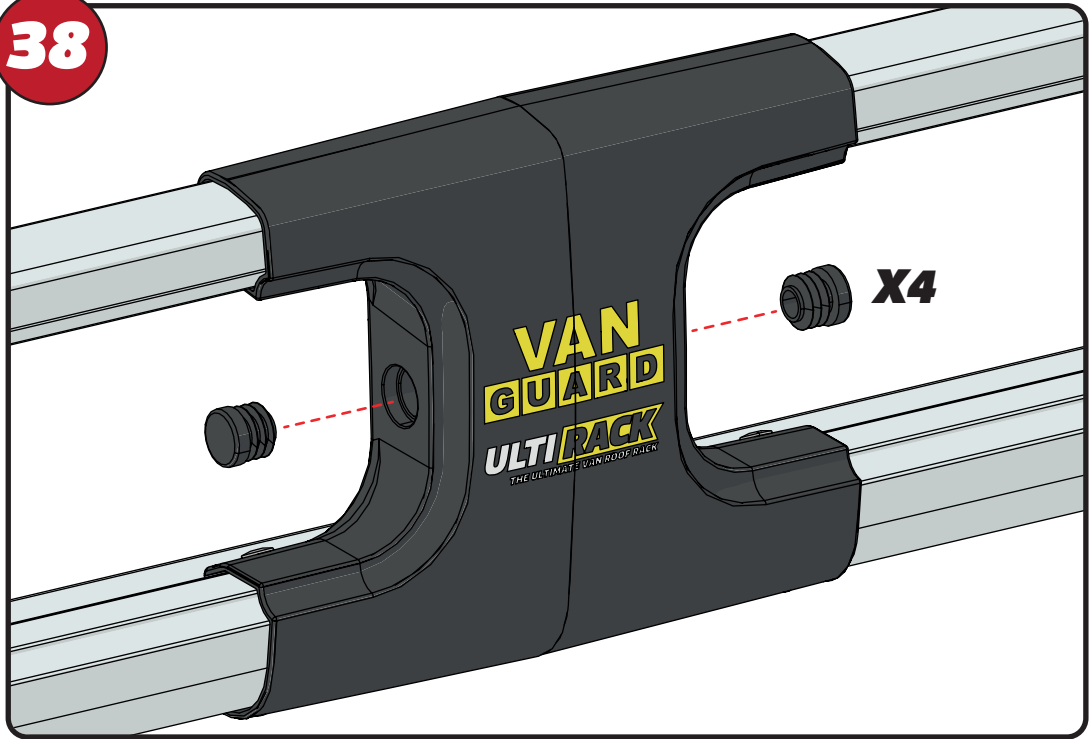
**37**



**X6**



**38**



**VAN GUARD  
ULTI RACK**  
THE ULTIMATE VAN ROOF RACK

**X4**

**39**

